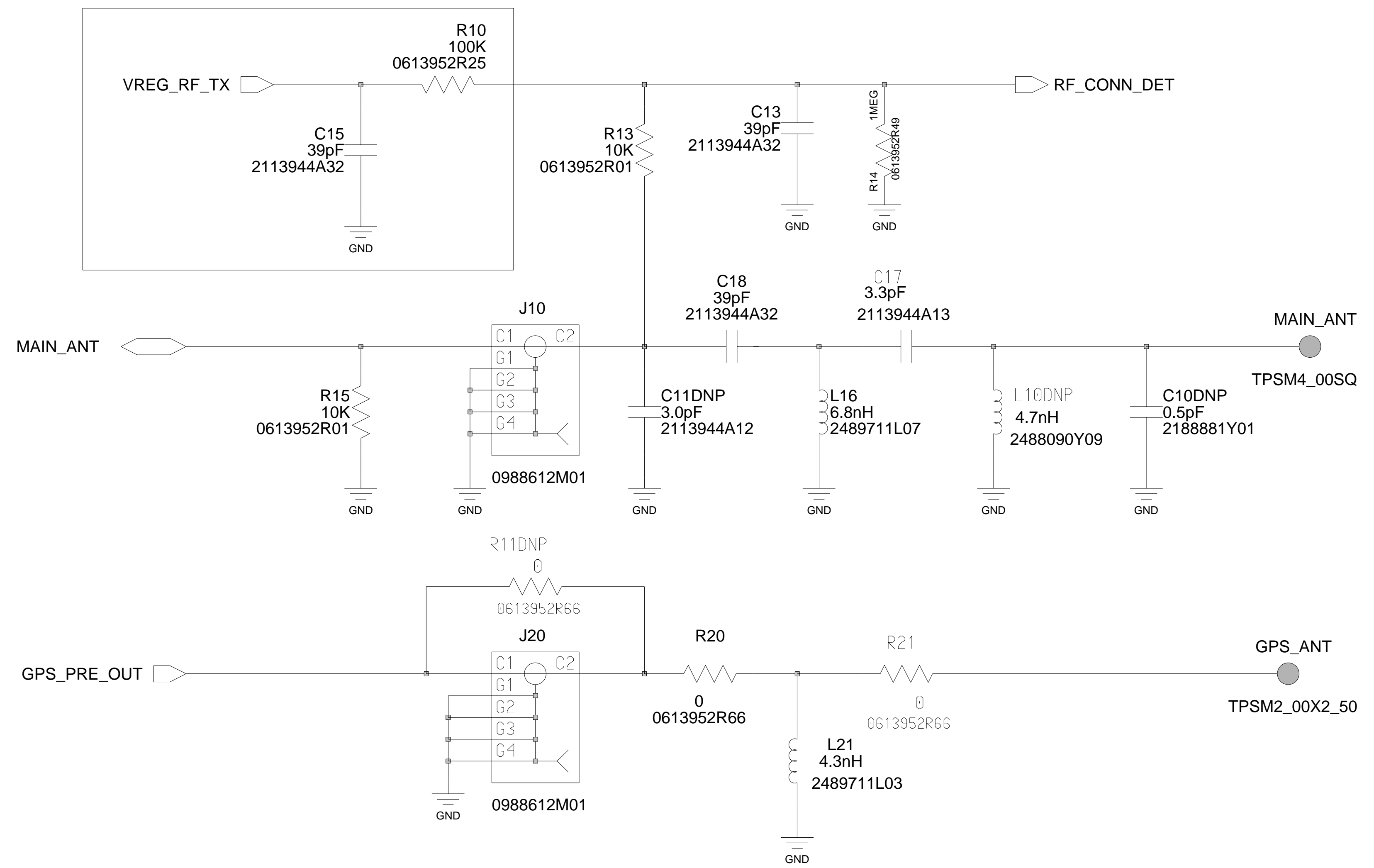



BLOCK	REF DES RANGE
TOP LEVEL	1-9
ANTENNA	10-20
RECEIVER	100-199
TX_BACKEND	200-259
TX_FRONTEND	300-349
BLUETOOTH	900-999
MSM	1000-1999
MEMORY	2000-2999
POWER_MANAGEMENT	3000-3999
AUDIO_INTERFACE	4000-4499
ACCESSORY_INTERFACE	5000-5999
USER_INTERFACE	6000-6999

APPROVALS	DATE	 CELLULAR INFRASTRUCTURE GROUP	
ORIGINALLY DESIGNED BY: Mike Doruff	08/09/05		
CHANGED BY: w30244	08/09/05	DWG No.	FRANKFURT
ELECTRICAL ENGINEER		CAD FILE NAME	
MOTOROLA CONFIDENTIAL PROPRIETARY THE DRAWING ON THIS PRINT AND INFORMATION THEREON ARE PROPRIETARY TO MOTOROLA AND SHALL NOT BE USED OR DISCUSSED IN WHOLE OR IN PART WITHOUT MOTOROLA'S CONSENT. © COPYRIGHT, MOTOROLA, THIS DOES NOT APPLY PUBLICATION		ISSUE	O
		SHEET	1 OF 15

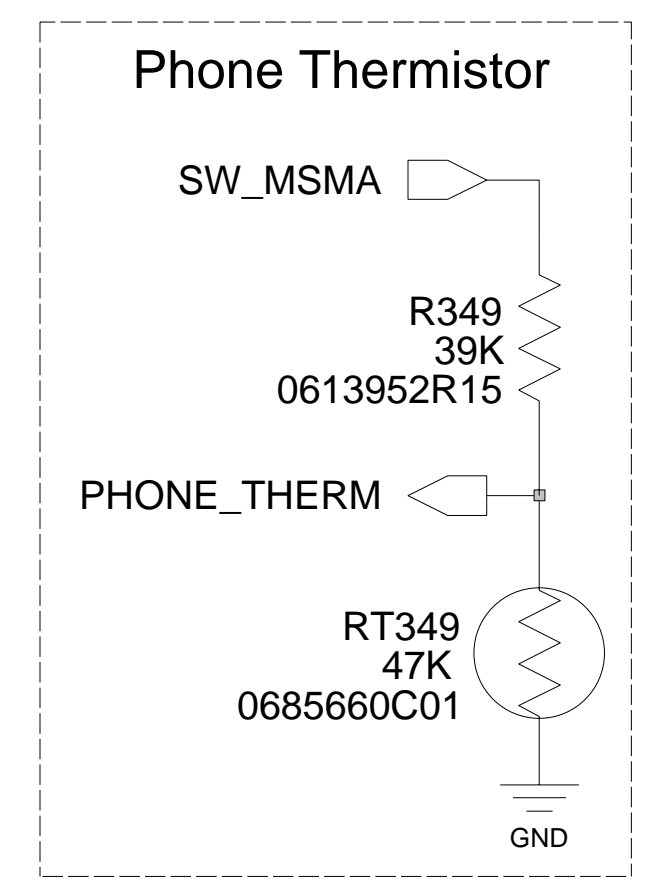
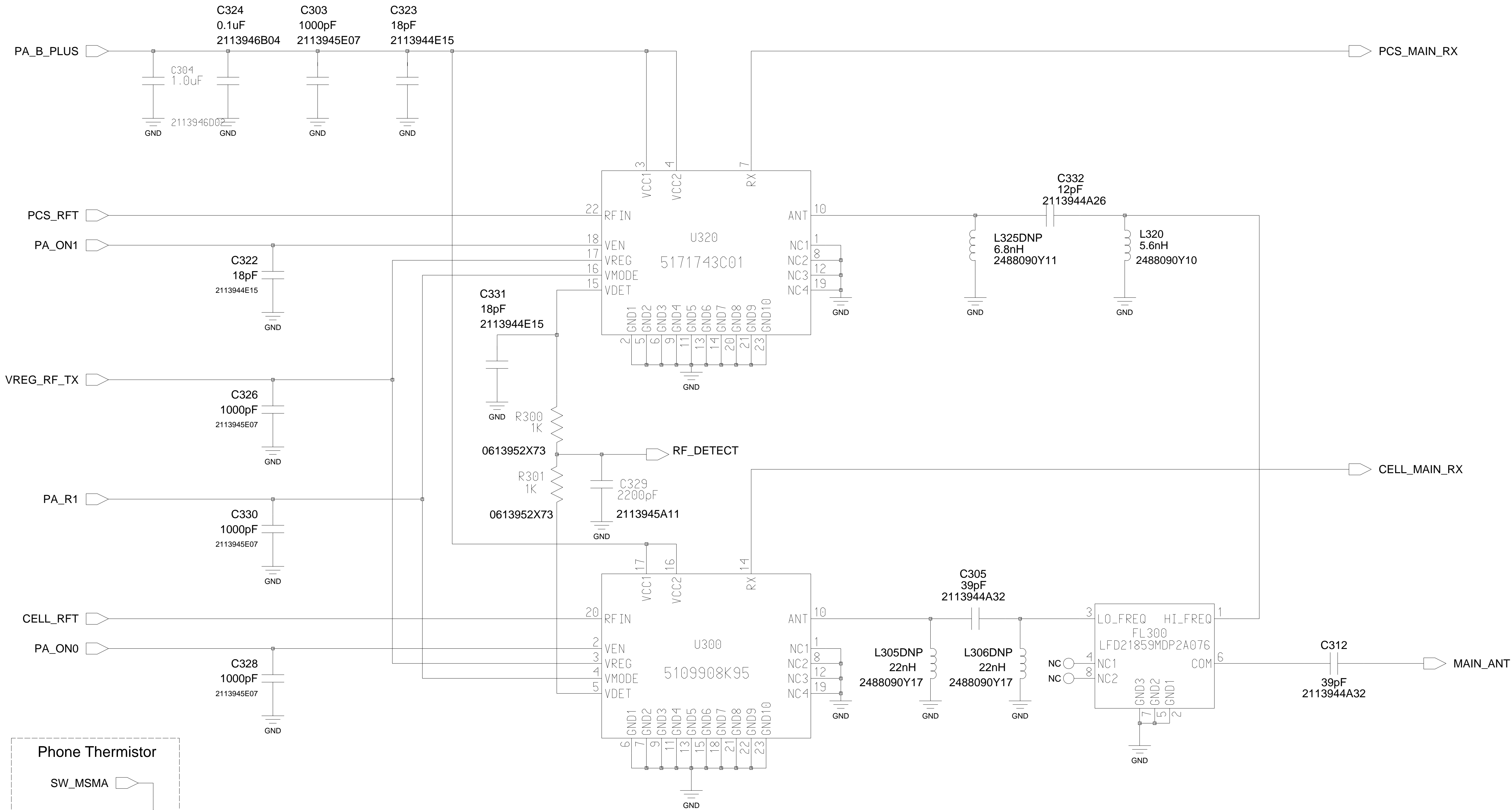
ANTENNA
REF 10-30


R10 and C15 will be placed at TX Back-End block



APPROVALS		DATE	 CELLULAR INFRASTRUCTURE GROUP		
ORIGINALLY DESIGNED BY: Eric Jeong		08/09/05			TITLE
CHANGED BY: Frank Willy		08/09/05	ANTENNA_LV_REF		
ELECTRICAL ENGINEER: Eric Jeong		08/09/05			
MOTOROLA CONFIDENTIAL PROPRIETARY THE DRAWING ON THIS PRINT AND INFORMATION THEREWITH ARE PROPRIETARY TO MOTOROLA AND SHALL NOT BE USED OR DISCUSSED IN WHOLE OR IN PART WITHOUT MOTOROLA'S CONSENT. © COPYRIGHT, MOTOROLA, THIS DOES NOT IMPLY PUBLICATION			DWG No. A1	FRANKFURT	ISSUE O
CAD FILE NAME			SHEET 2 OF 15		

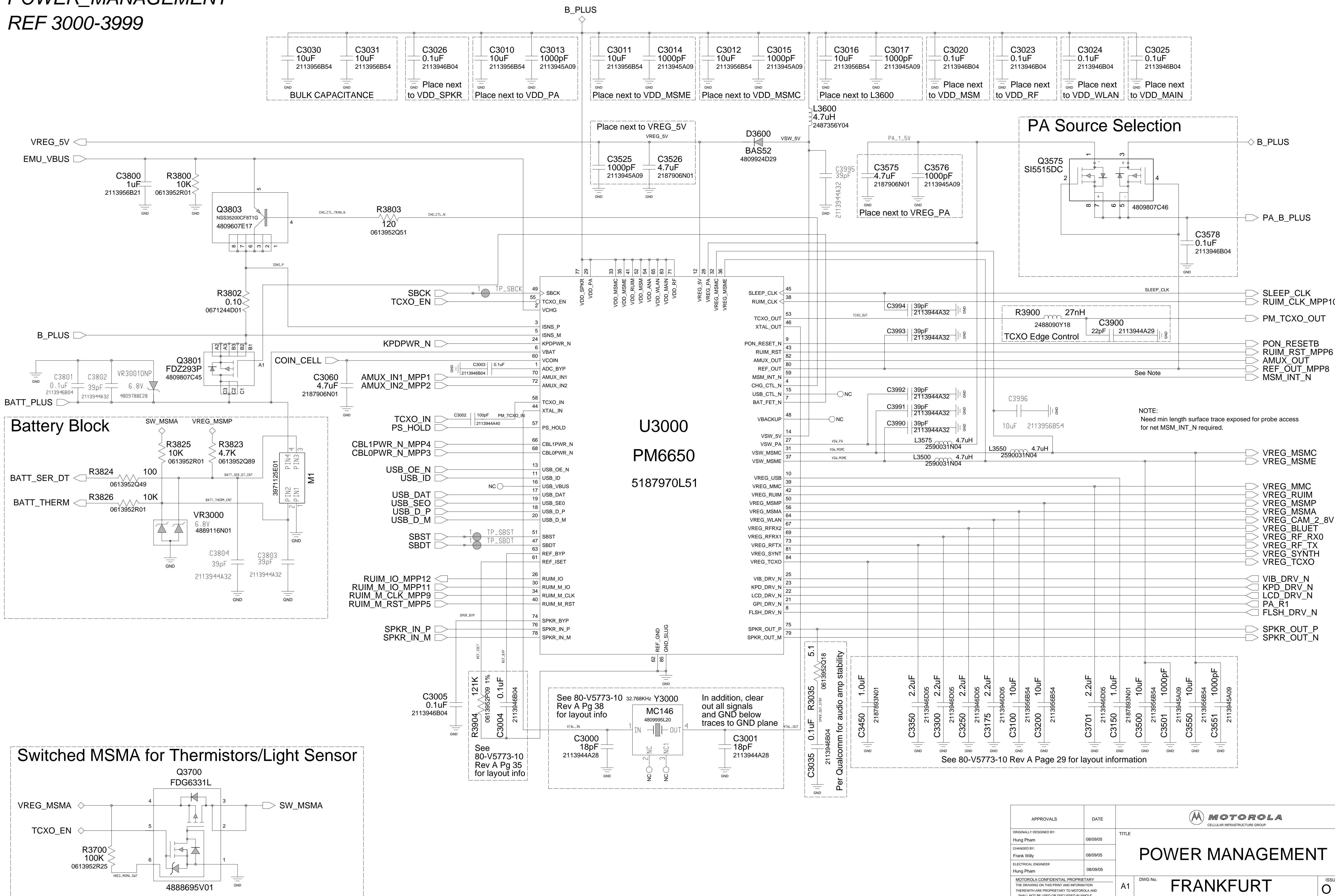
TX FRONT END
REF 300-349



APPROVALS	DATE	 MOTOROLA <small>CELLULAR INFRASTRUCTURE GROUP</small>	
ORIGINALLY DESIGNED BY: Robin Chang	08/09/05	TITLE	
CHANGED BY: Frank Willy	08/09/05	TX FRONT END	
ELECTRICAL ENGINEER: Robin Chang	08/09/05		
<small>MOTOROLA CONFIDENTIAL PROPRIETARY THE DRAWING ON THIS PRINT AND INFORMATION THEREWITH ARE PROPRIETARY TO MOTOROLA AND SHALL NOT BE USED OR DISCLOSED IN WHOLE OR IN PART WITHOUT MOTOROLA'S CONSENT. © COPYRIGHT, MOTOROLA, THIS DOES NOT IMPLY PUBLICATION.</small>		DWG No.	ISSUE
		FRANKFURT	0
CAD FILE NAME		SHEET 3 OF 15	

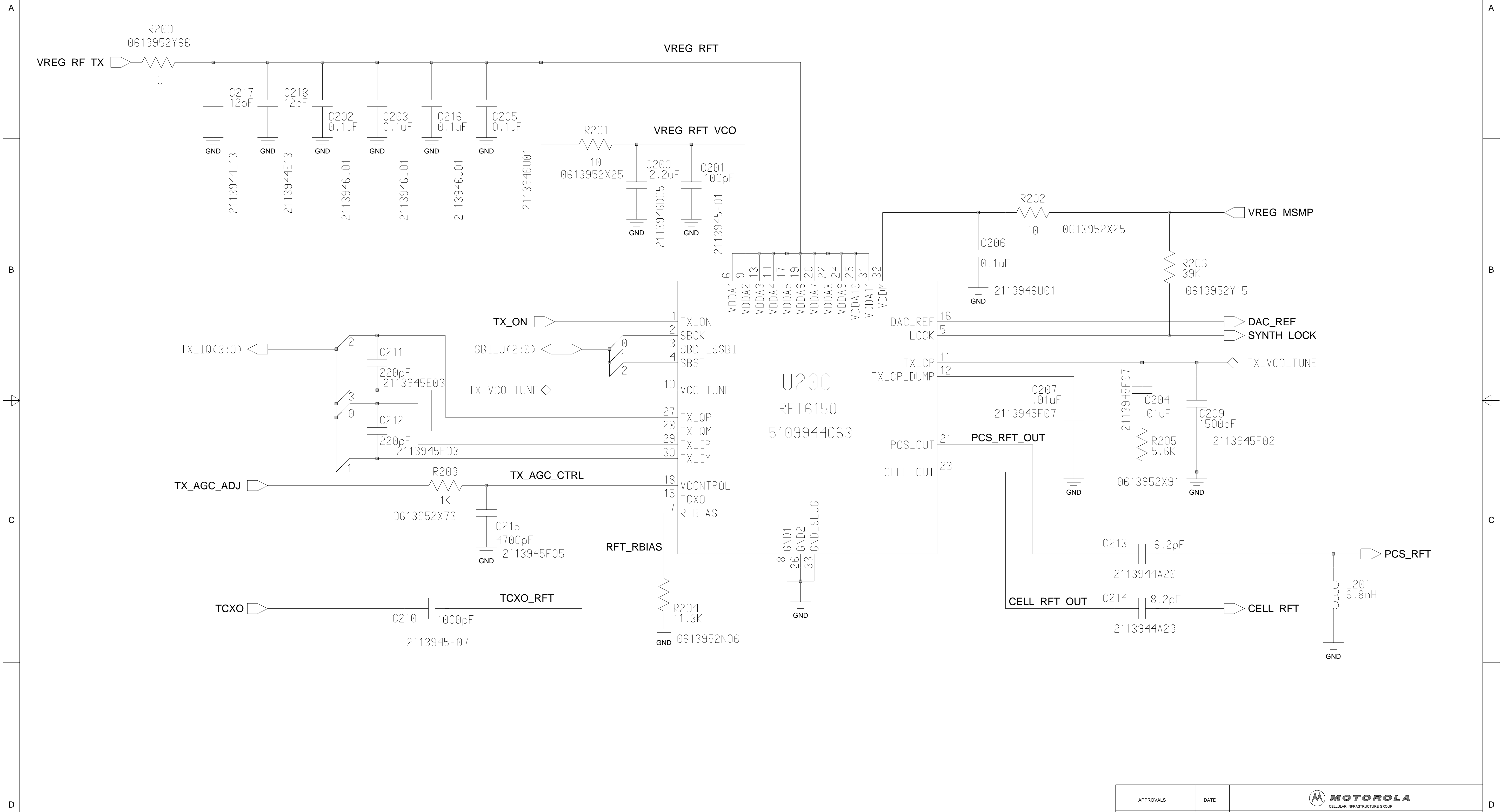
POWER_MANAGEMENT

REF 3000-3999



APPROVALS	DATE	TITLE	
ORIGINAL DESIGNER: Hung Pham	08/09/05	POWER MANAGEMENT	
CHANGED BY: Frank Willy	08/09/05		
ELECTRICAL ENGINEER: Hung Pham	08/09/05		
MOTOROLA CONFIDENTIAL PROPRIETARY THE DRAWING ON THIS PRINT AND INFORMATION THEREON ARE PROPRIETARY TO MOTOROLA AND SHALL NOT BE USED OR DISCUSSED IN WHOLE OR IN PART WITHOUT MOTOROLA'S CONSENT. © COPYRIGHT, MOTOROLA, THIS DOES NOT APPLY PUBLICATION			
A1	DWG No.	FRANKFURT	ISSUE
CAD FILE NAME		SHEET 4 OF 15	O

TX BACK END
REF 200-259

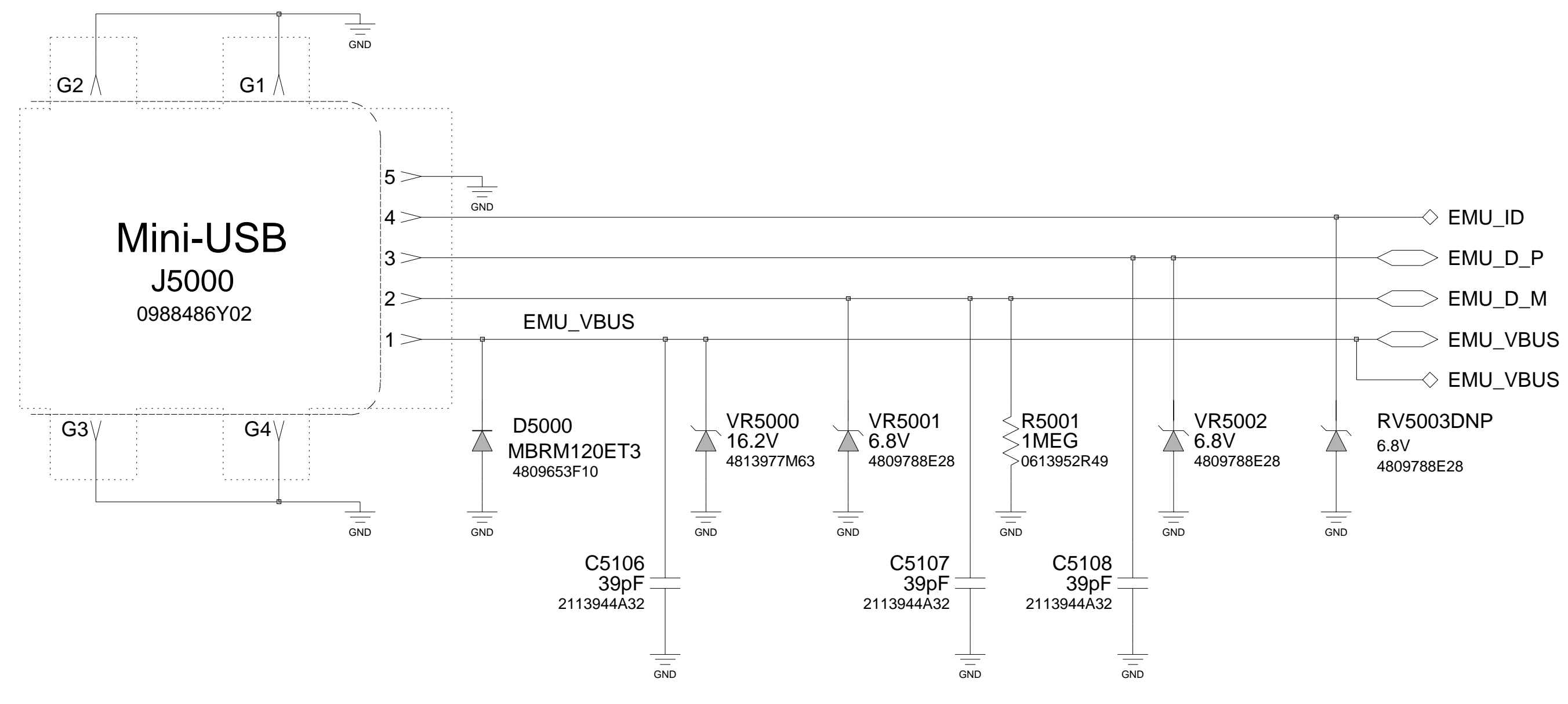


APPROVALS	DATE	MOTOROLA CELLULAR INFRASTRUCTURE GROUP	
ORIGINALLY DESIGNED BY: ROBIN CHANG	08/09/05	TITLE RFT6150_TX_BACKEND	
CHANGED BY: Frank Willy	08/09/05	DWG No. FRANKFURT	ISSUE O
ELECTRICAL ENGINEER Robin Chang	08/09/05	CAD FILE NAME	
<small>MOTOROLA CONFIDENTIAL PROPRIETARY THE DRAWING ON THIS PRINT AND INFORMATION THEREON ARE PROPRIETARY TO MOTOROLA AND SHALL NOT BE USED OR DISCUSSED IN WHOLE OR IN PART WITHOUT MOTOROLA'S CONSENT. © COPYRIGHT, MOTOROLA, THIS DOES NOT APPLY PUBLICATION</small>		SHEET 5 OF 15	

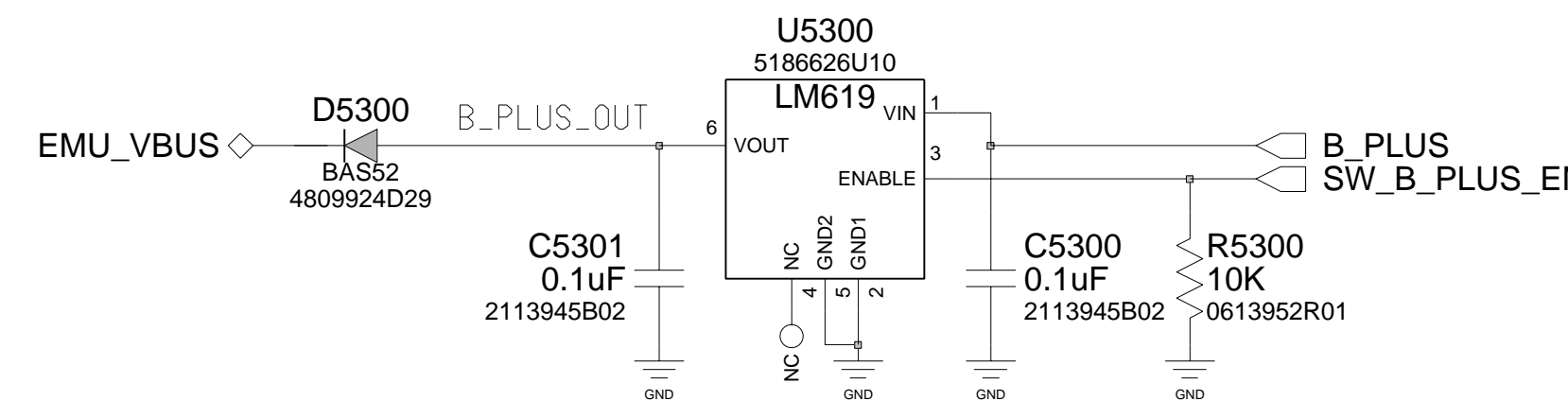
ACCESSORY_INTERFACE

REF 5000-5999

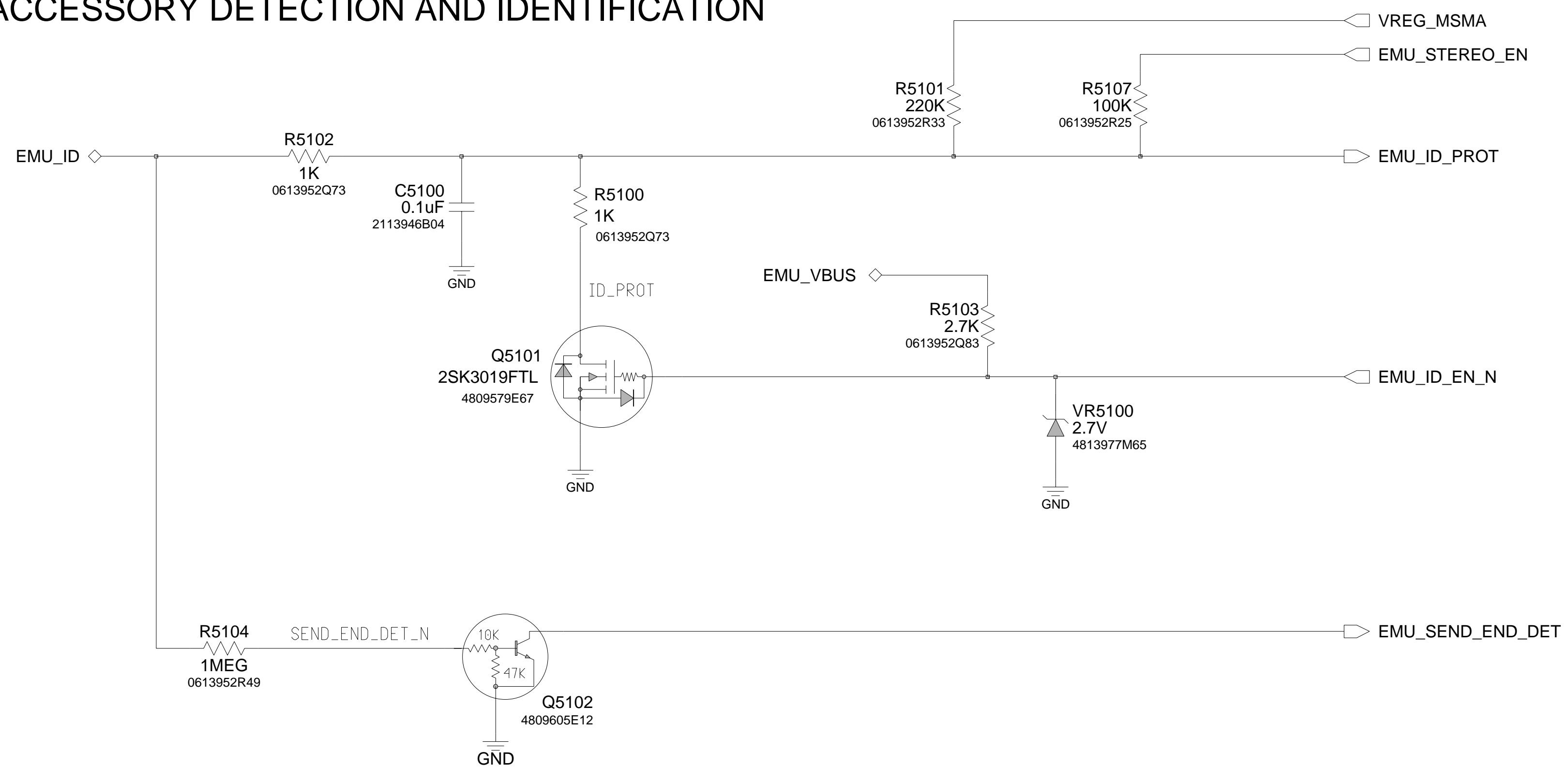
EMU ACCESSORY CONNECTOR




EMU PHONE POWERED DEVICE SUPPLY



ACCESSORY DETECTION AND IDENTIFICATION



APPROVALS		DATE	 CELLULAR INFRASTRUCTURE GROUP	
ORIGINALLY DESIGNED BY: KARAMAT AWAN		08/09/05	TITLE ACCESSORY INTERFACE	
CHANGED BY: Frank Willy		08/09/05	DWG No. FRANKFURT	
ELECTRICAL ENGINEER Karamat Awan		08/09/05	ISSUE O	
MOTOROLA CONFIDENTIAL PROPRIETARY THE DRAWING ON THIS PRINT AND INFORMATION THEREWITH ARE PROPRIETARY TO MOTOROLA AND SHALL NOT BE USED OR DISCUSSED IN WHOLE OR IN PART WITHOUT MOTOROLA'S CONSENT. © COPYRIGHT, MOTOROLA, THIS DOES NOT APPLY PUBLICATION			CAD FILE NAME	
			SHEET 6 OF 15	

RECEIVER Mixer Block REF 100-199

A

B

C

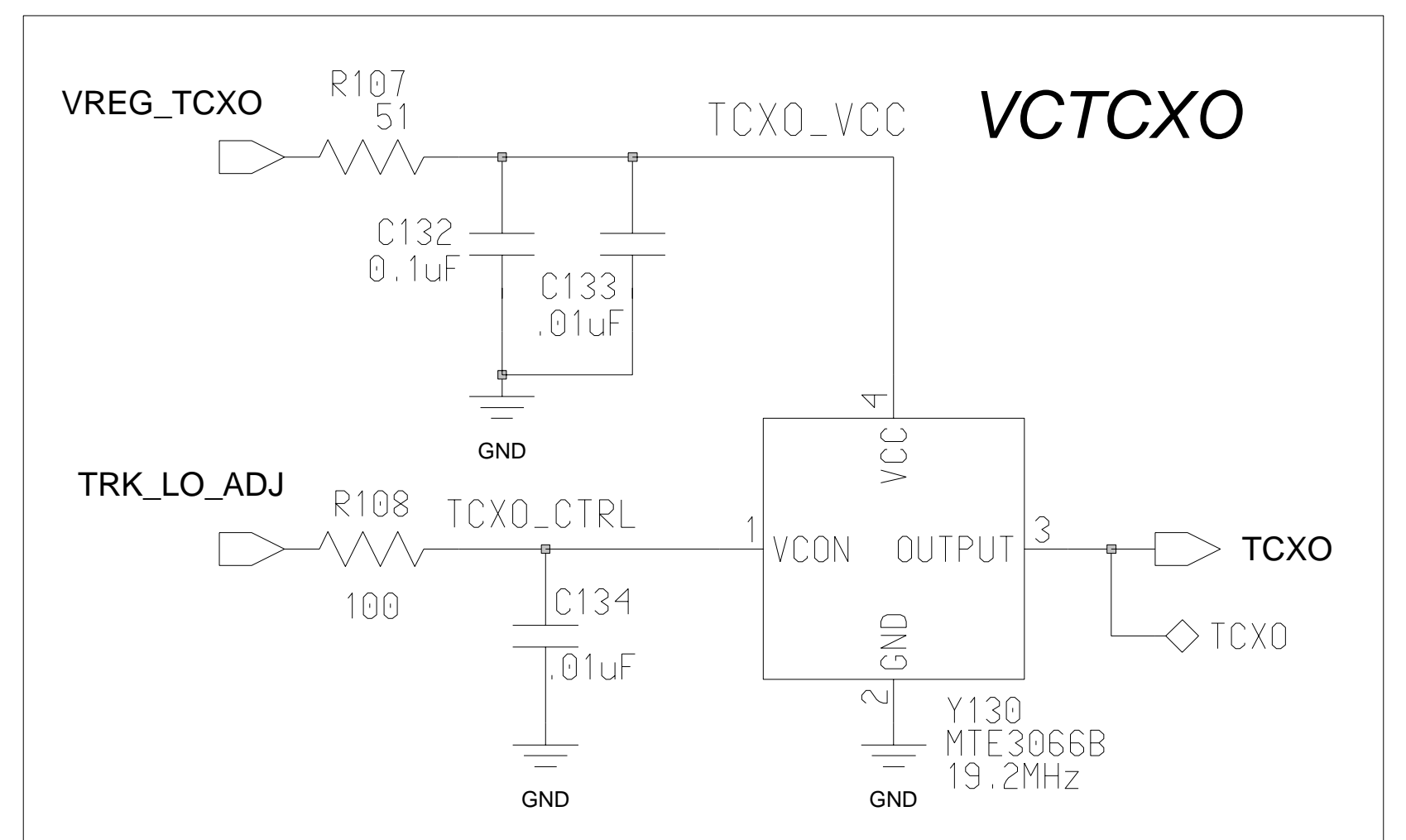
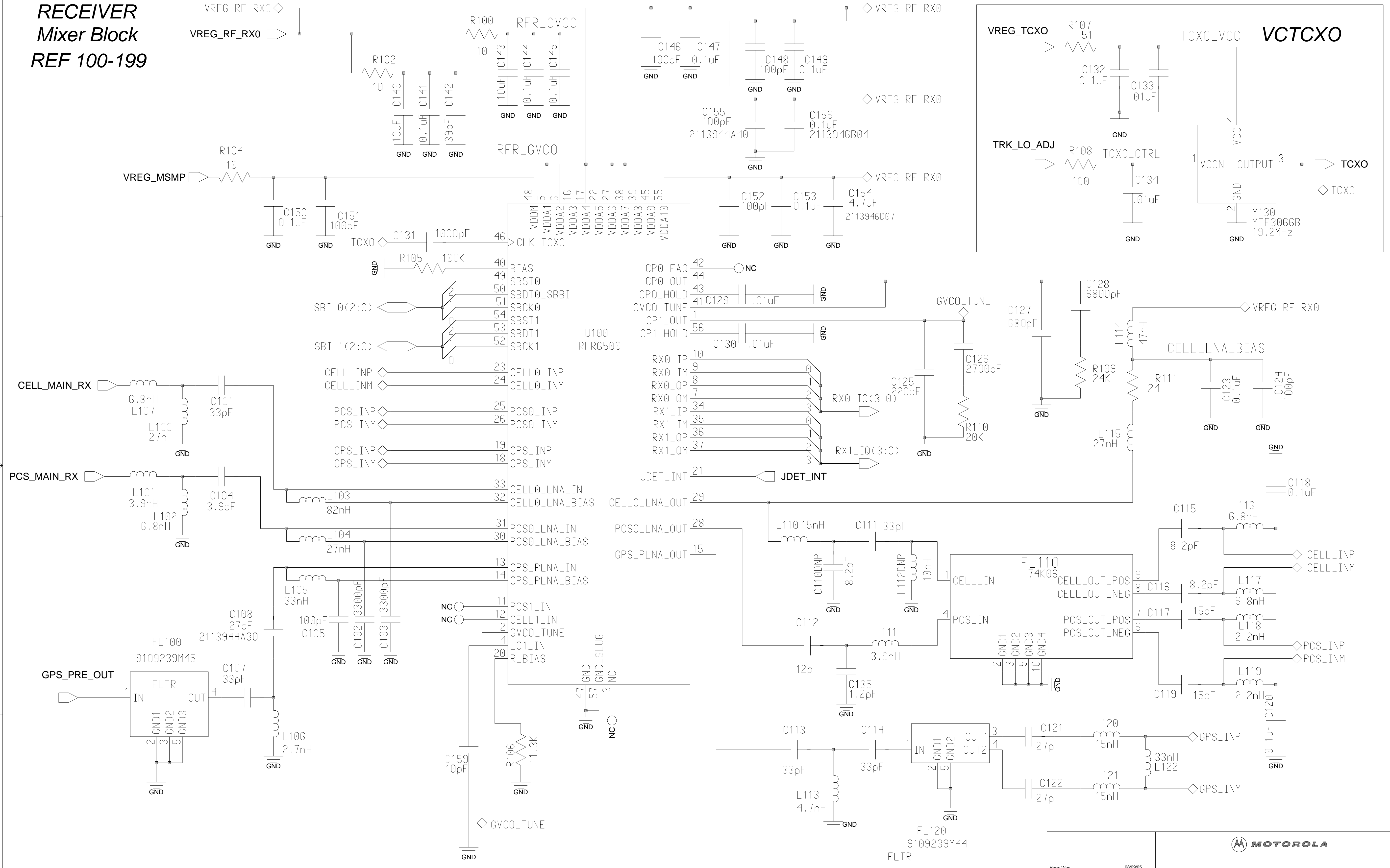
D

A

B

C

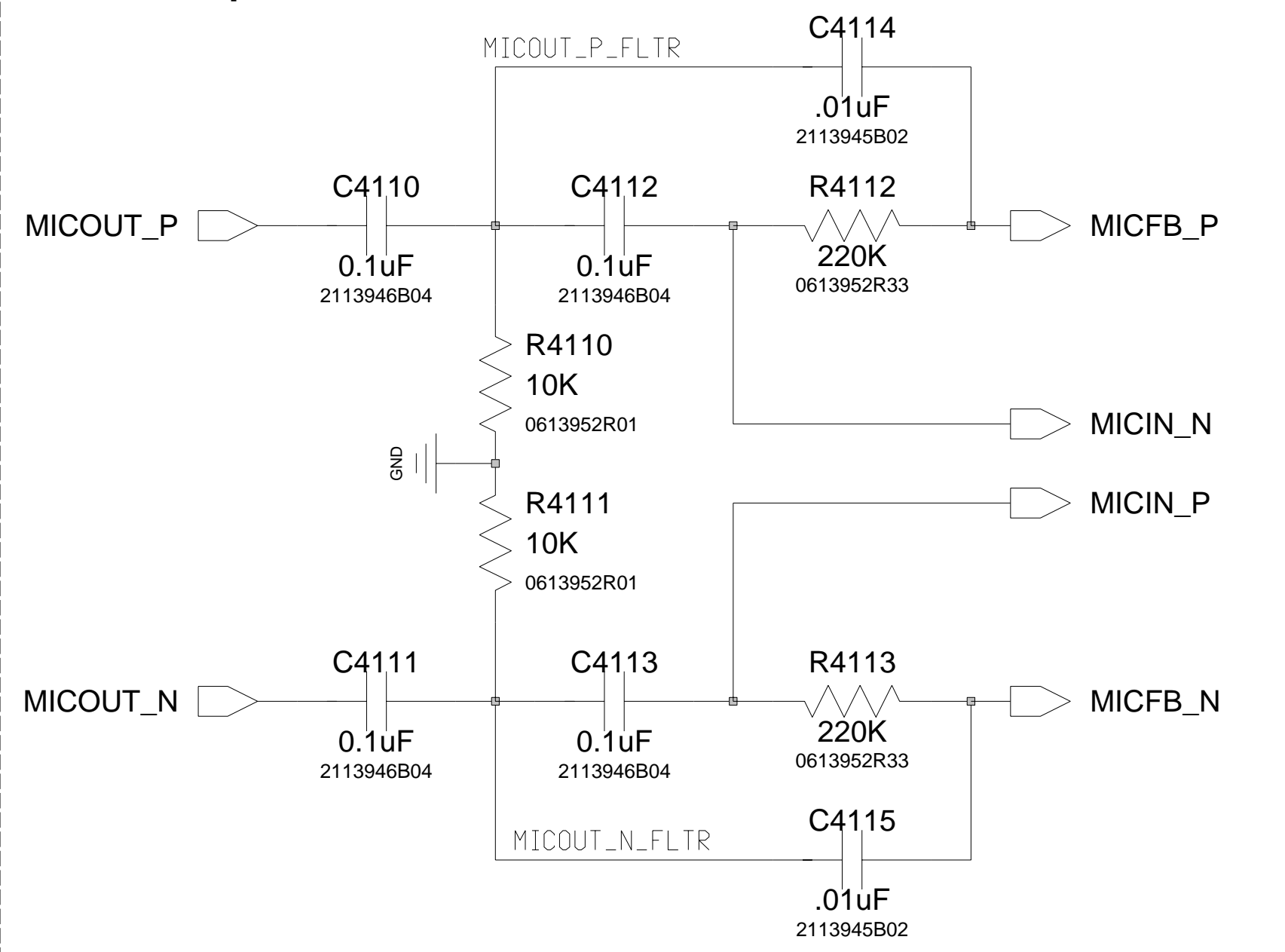
D



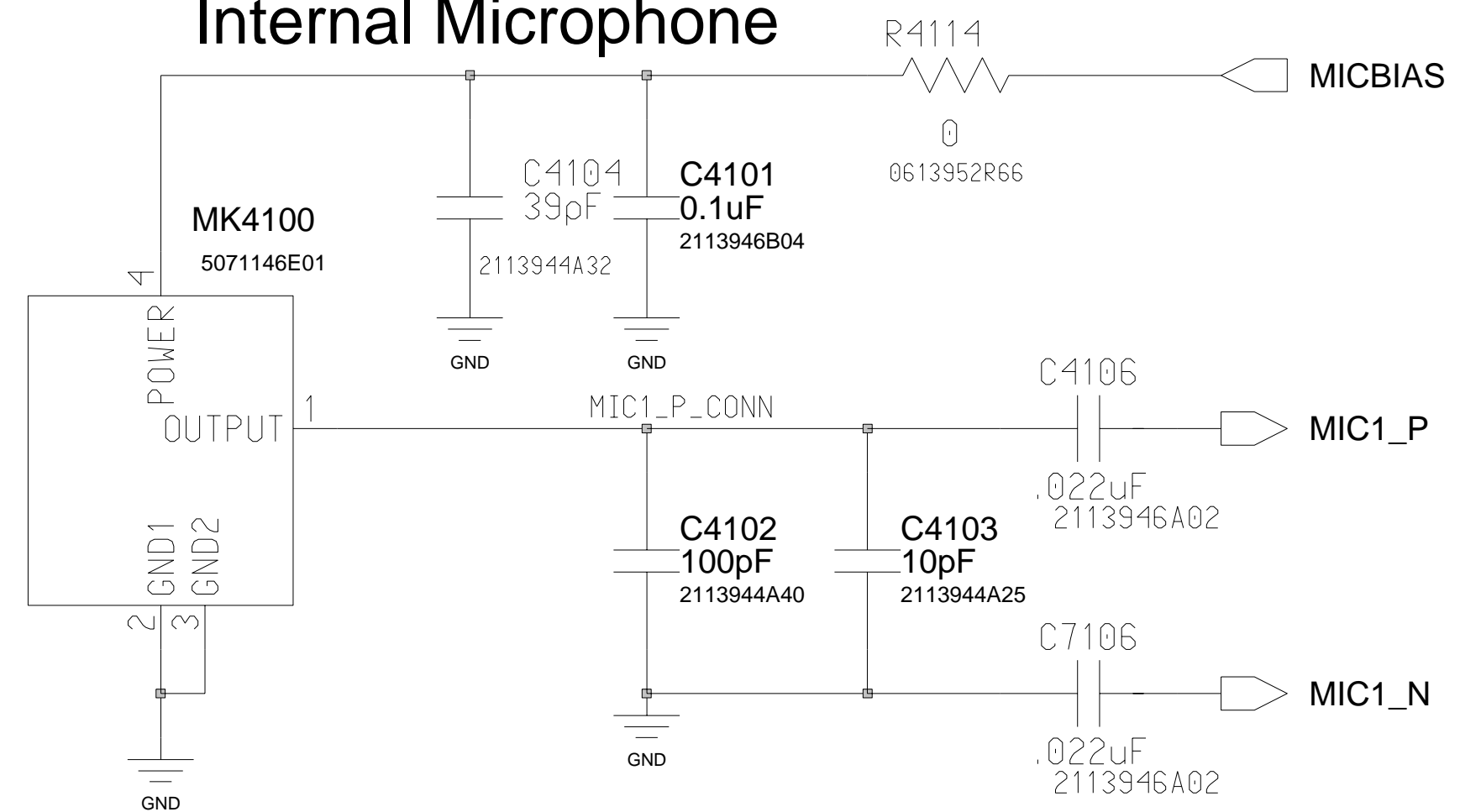
RFR6500_RX	
Harry Woo	08/09/05
Frank Willy	08/09/05
Harry Woo	08/09/05
A1	FRANKFURT
ISSUE O	
SHEET 7 OF 15	

AUDIO INTERFACE
REF 4000-4499

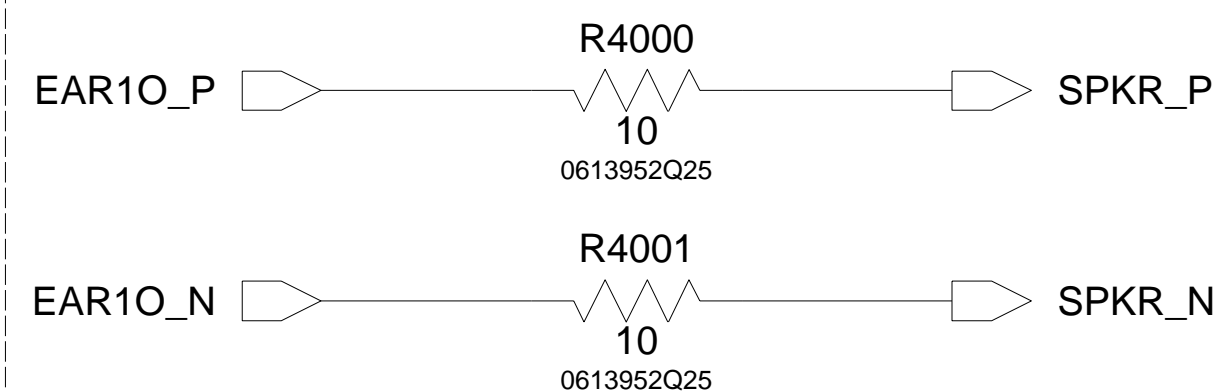
Mic Amp 2 - Two Pole Butterworth



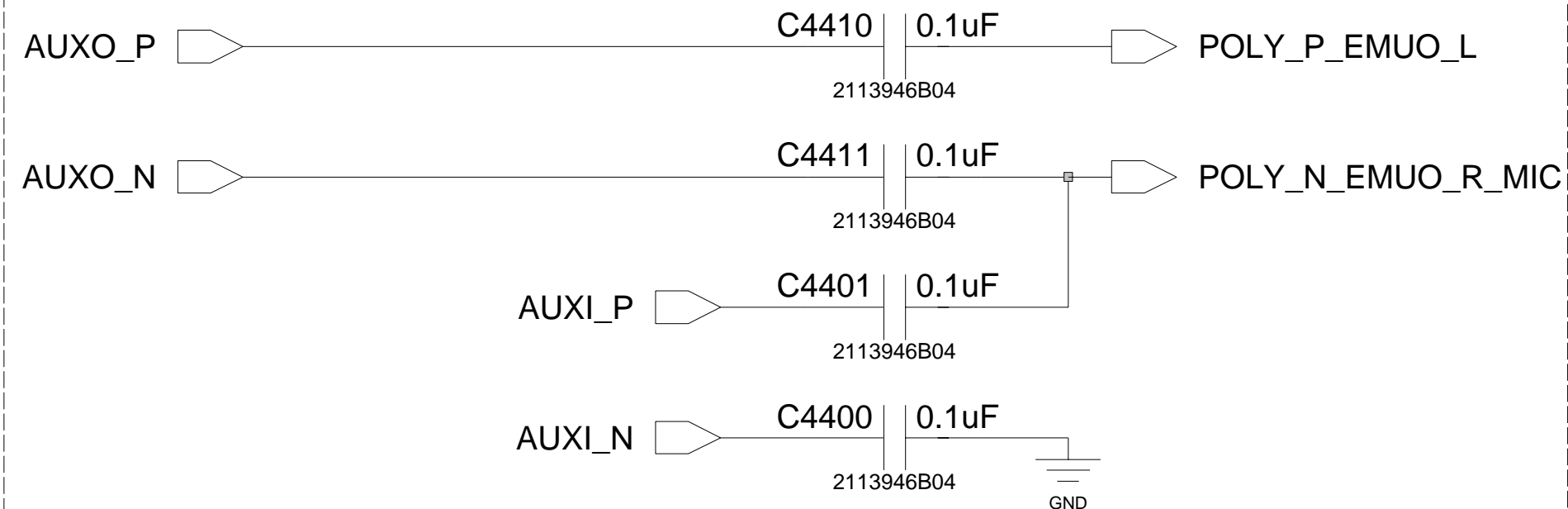
Internal Microphone



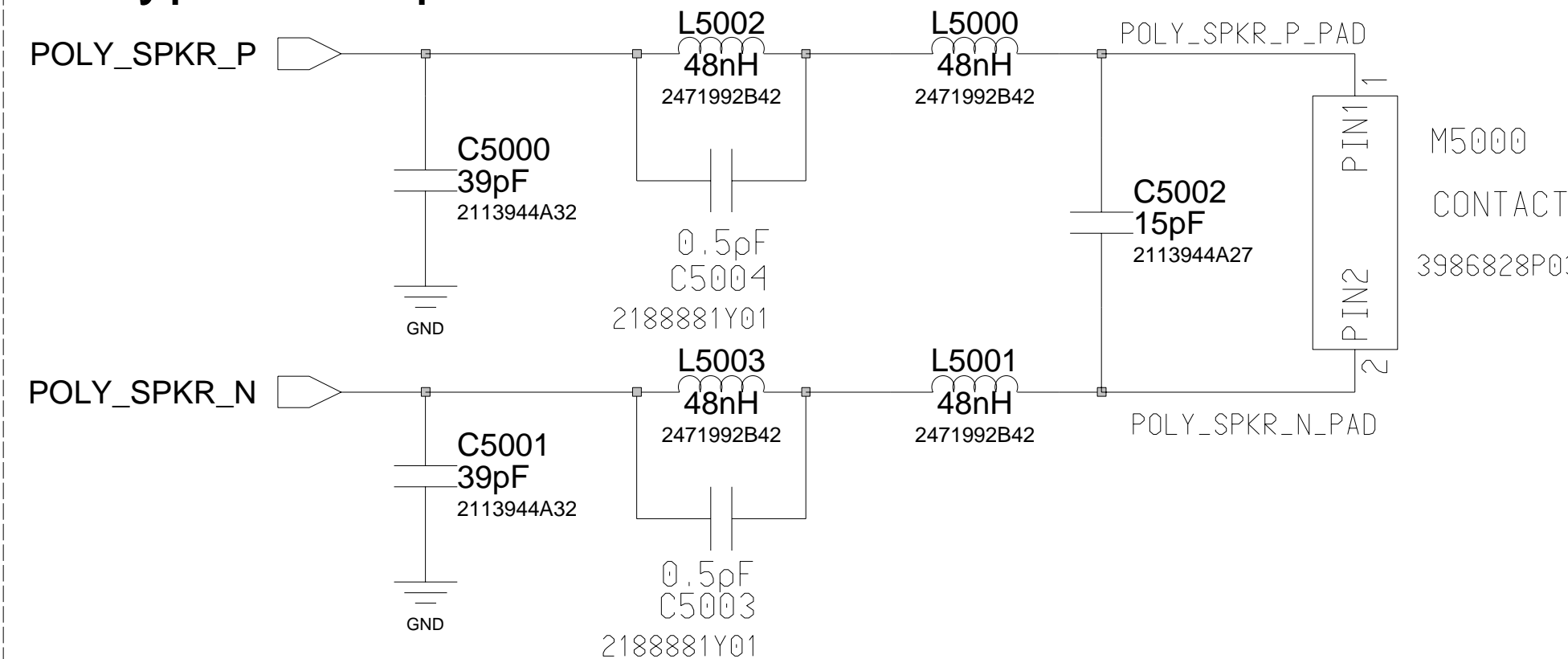
Conversation Speaker Limiter



CEA-936-A / EMU Audio & FM Tx Audio



Polyphonic Speaker

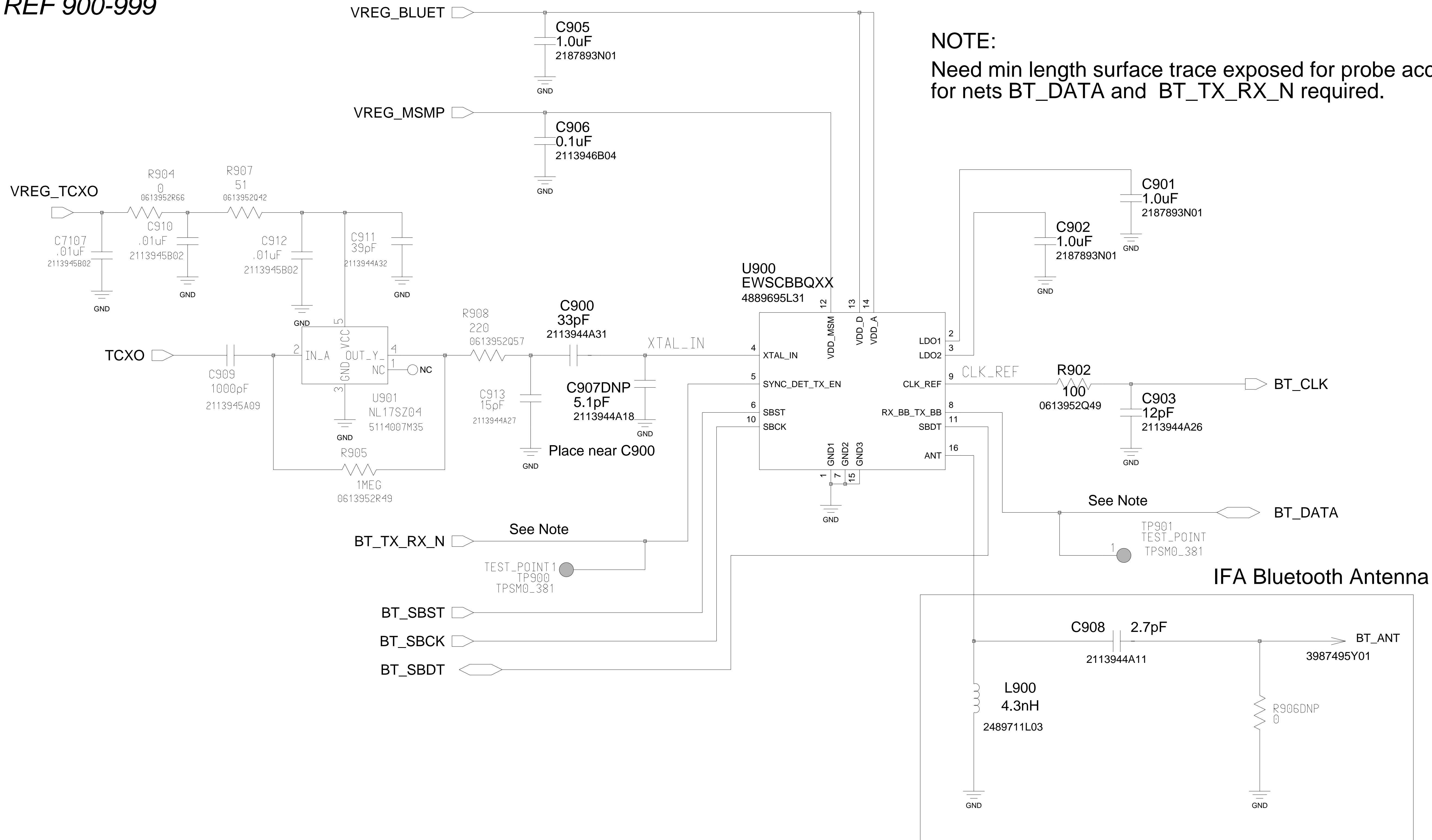


APPROVALS	DATE	MOTOROLA CELLULAR INFRASTRUCTURE GROUP	
ORIGINALLY DESIGNED BY: Karamat Awan	08/09/05	TITLE AUDIO INTERFACE	
CHANGED BY: Frank Willy	08/09/05	DWG No. FRANKFURT	
ELECTRICAL ENGINEER Karamat Awan	08/09/05	ISSUE O	
MOTOROLA CONFIDENTIAL PROPRIETARY THE DRAWING ON THIS PRINT AND INFORMATION THEREWITH ARE PROPRIETARY TO MOTOROLA AND SHALL NOT BE USED OR DISCUSSED IN WHOLE OR IN PART WITHOUT MOTOROLA'S CONSENT. © COPYRIGHT, MOTOROLA, THIS DOES NOT APPLY PUBLICATION		CAD FILE NAME	SHEET 8 OF 15

**BLUETOOTH
REF 900-999**

NOTE:

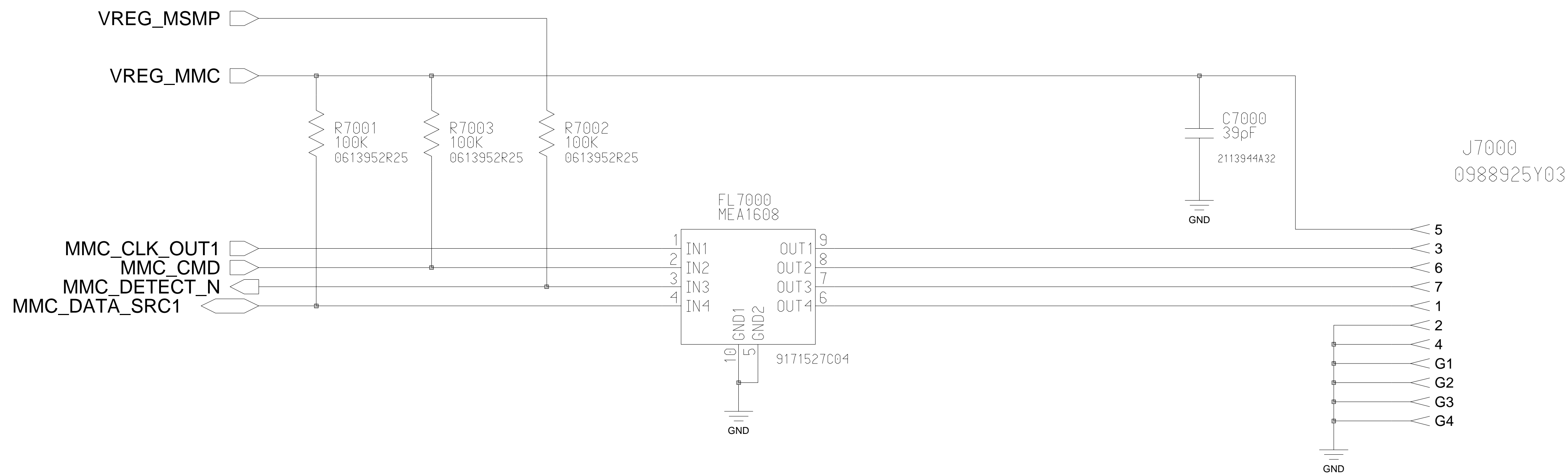
Need min length surface trace exposed for probe access for nets BT_DATA and BT_TX_RX_N required.



APPROVALS		DATE	 CELLULAR INFRASTRUCTURE GROUP	
ORIGINALLY DESIGNED BY:	Namrata Kripalani	08/09/05	TITLE	
CHANGED BY:	Frank Willy	08/09/05	<h1 style="text-align: center;">BLUETOOTH</h1>	
ELECTRICAL ENGINEER	Namrata Kripalani	08/09/05		
<small>MOTOROLA CONFIDENTIAL PROPRIETARY THE DRAWING ON THIS PRINT AND INFORMATION THEREWITH ARE PROPRIETARY TO MOTOROLA AND SHALL NOT BE USED OR DISCUSSED IN WHOLE OR IN PART WITHOUT MOTOROLA'S CONSENT. © COPYRIGHT, MOTOROLA, THIS DOES NOT APPLY PUBLICATION</small>			A1	DWG No. FRANKFURT ISSUE O
CAD FILE NAME			SHEET 10 OF 15	

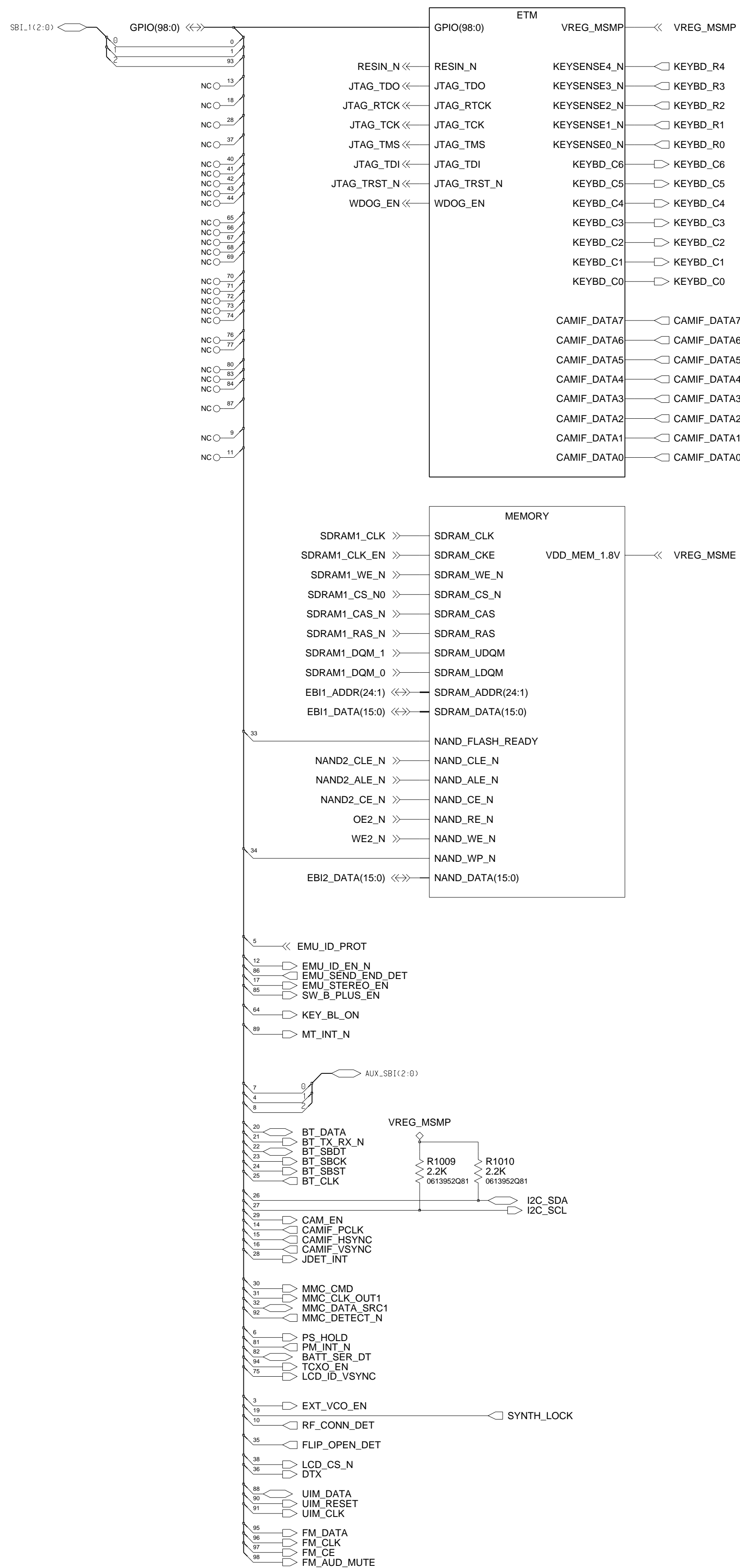
MMC
REF 7000-7009

DAUGHTER BRD CONNECTOR



APPROVALS		DATE	 CELLULAR INFRASTRUCTURE GROUP	
ORIGINALLY DESIGNED BY:	Hung Pham	08/09/05	TITLE <h2>MMC</h2>	
CHANGED BY:	Frank Willy	08/09/05		
ELECTRICAL ENGINEER	Hung Pham	08/09/05		
MOTOROLA CONFIDENTIAL PROPRIETARY THE DRAWING ON THIS PRINT AND INFORMATION THEREWITH ARE PROPRIETARY TO MOTOROLA AND SHALL NOT BE USED OR DISCUSSED IN WHOLE OR IN PART WITHOUT MOTOROLA'S CONSENT. © COPYRIGHT, MOTOROLA, THIS DOES NOT APPLY PUBLICATION			A1	DWG No. <h2>FRANKFURT</h2>
			CAD FILE NAME	SHEET 11 OF 15 ISSUE O

MSM
REF 1000-1999



APPROVALS	DATE	MOTOROLA CELLULAR INFRASTRUCTURE GROUP	
ORIGINALLY DESIGNED BY: Karamat Awan	08/09/05	TITLE MSM	
CHANGED BY: Frank Willy	08/09/05	DWG No. FRANKFURT	
ELECTRICAL ENGINEER Karamat Awan	08/09/05	ISSUE O	
MOTOROLA CONFIDENTIAL PROPRIETARY THE DRAWING ON THIS PRINT AND INFORMATION THEREWITH ARE PROPRIETARY TO MOTOROLA AND SHALL NOT BE USED OR DISCUSSED IN WHOLE OR IN PART WITHOUT MOTOROLA'S CONSENT. © COPYRIGHT, MOTOROLA. THIS DOES NOT APPLY PUBLICATION		CAD FILE NAME	SHEET 13 OF 15