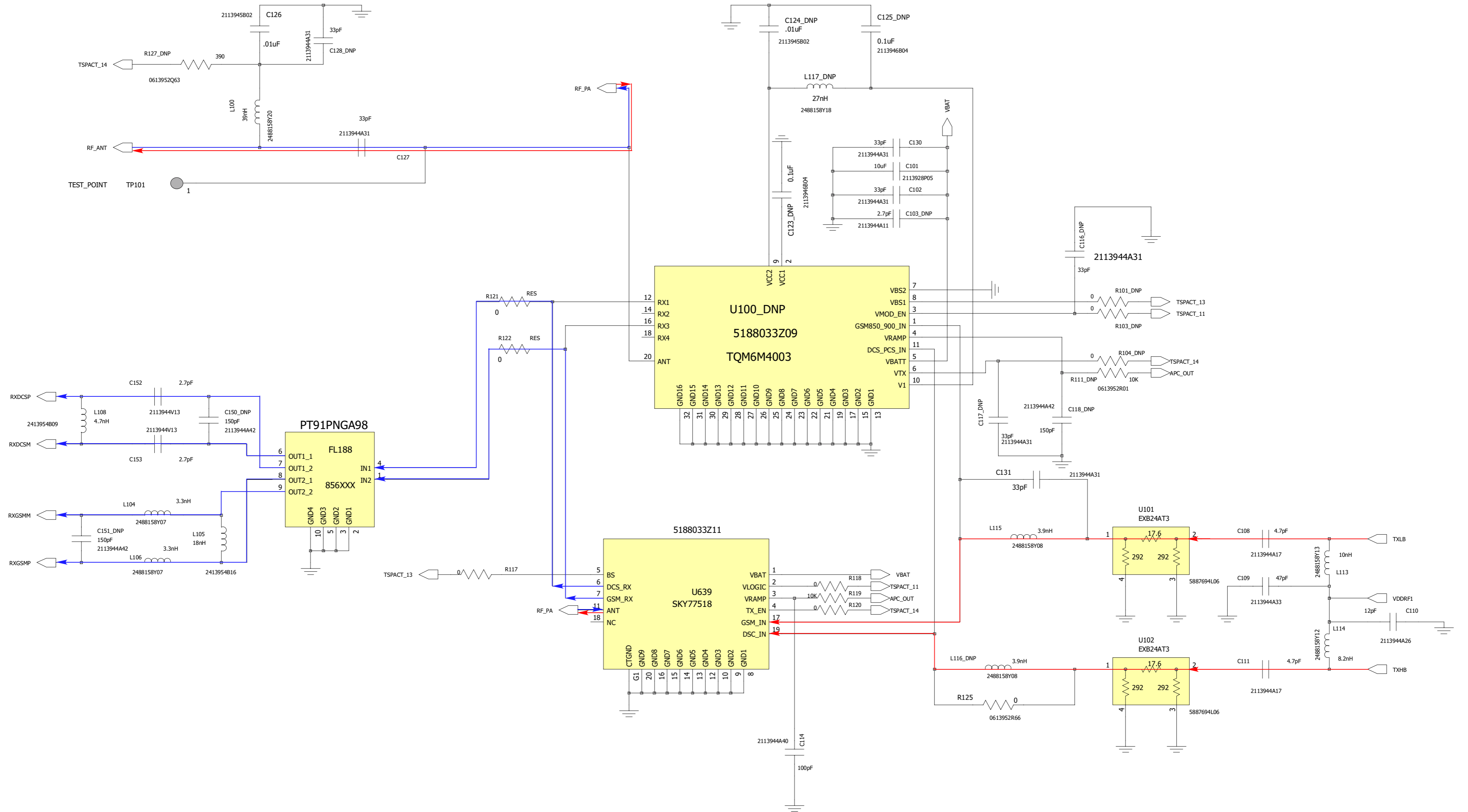


RF

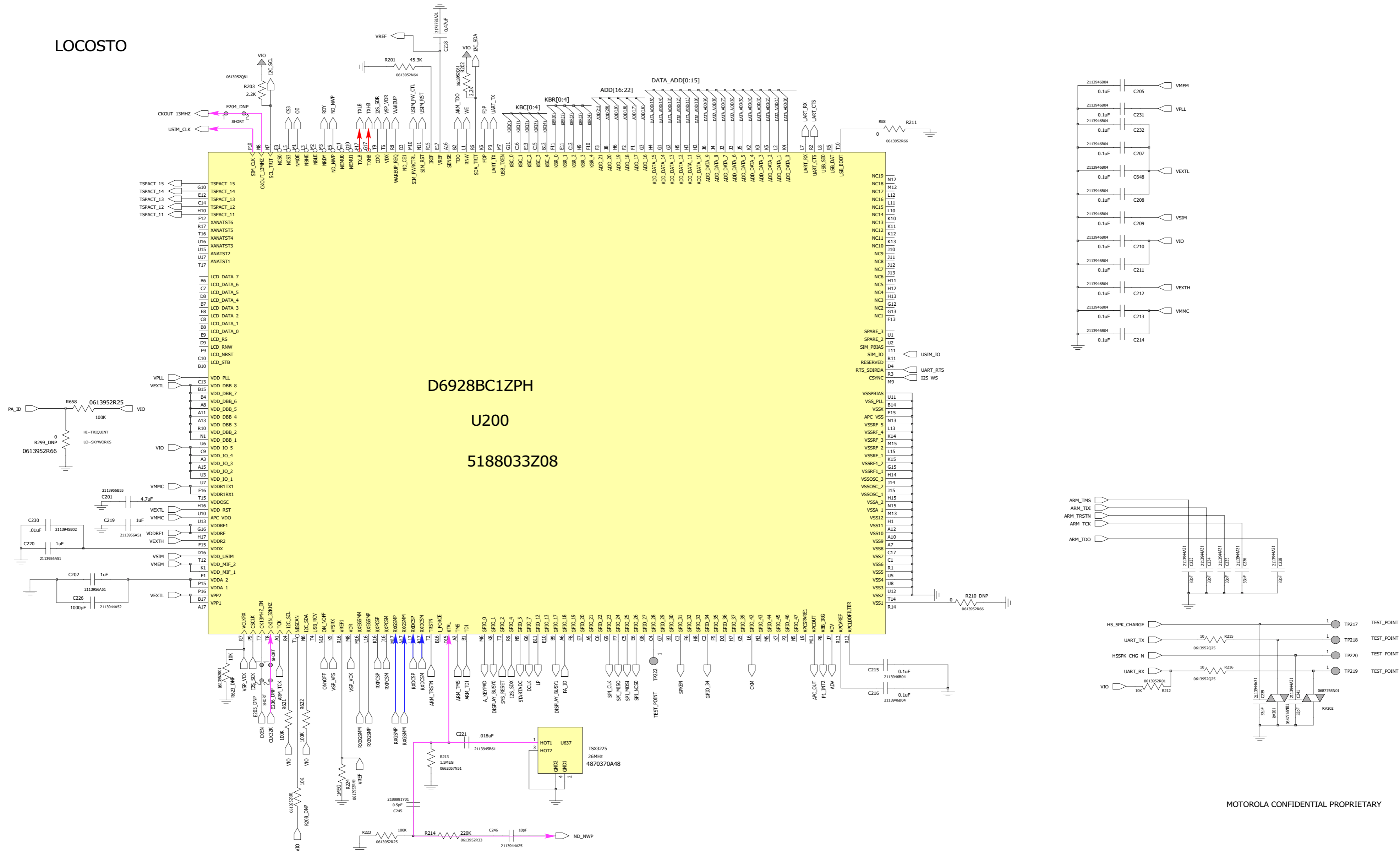


F3_ 8488629Z01

Service Engineering & Optimization
Level 3 Authorized

Service Engineering & Optimization	2006.09.28
Level 3 Schematics	Rev. A
F3	8488629Z01
	Page 1 of 4

LOCOSTO

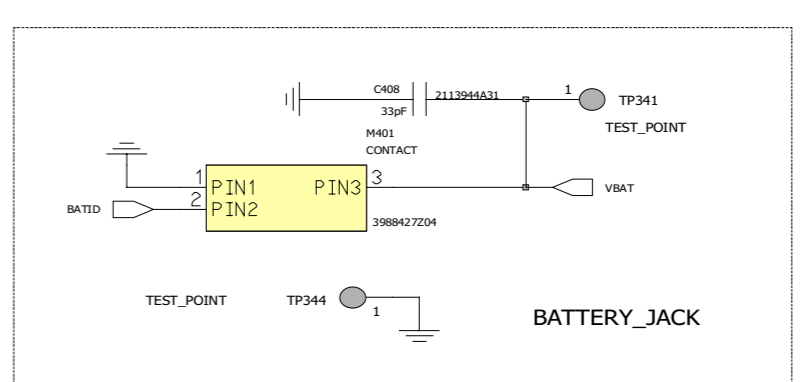
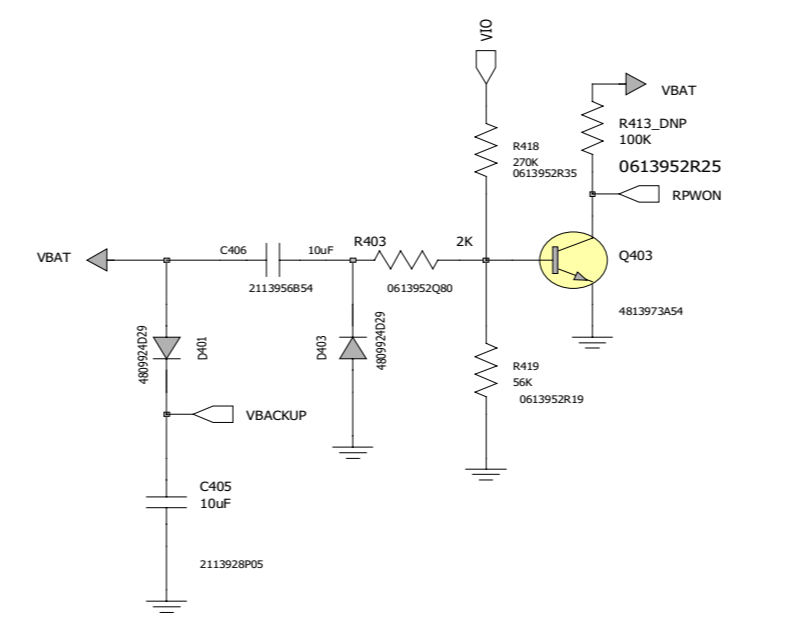
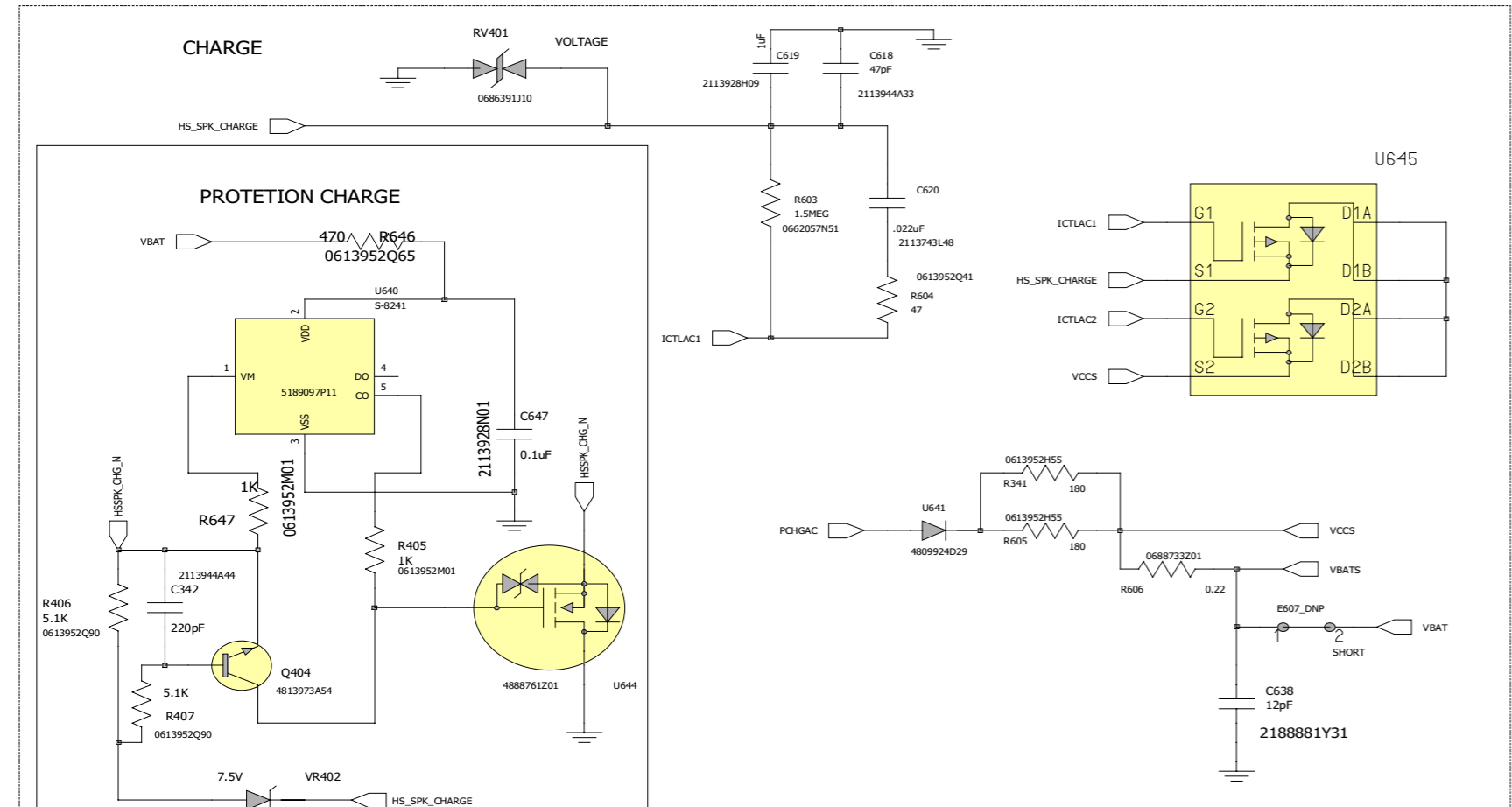
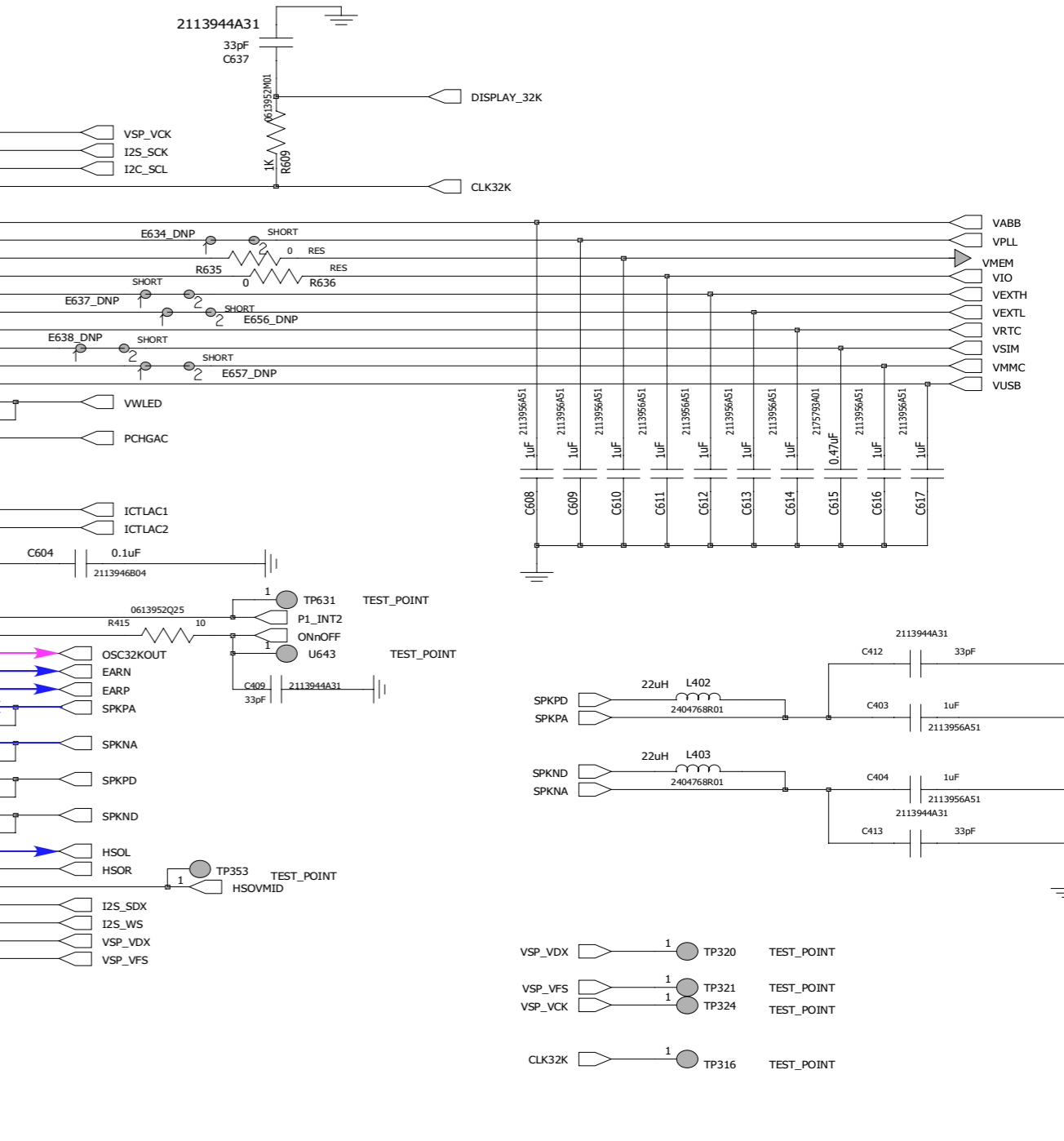
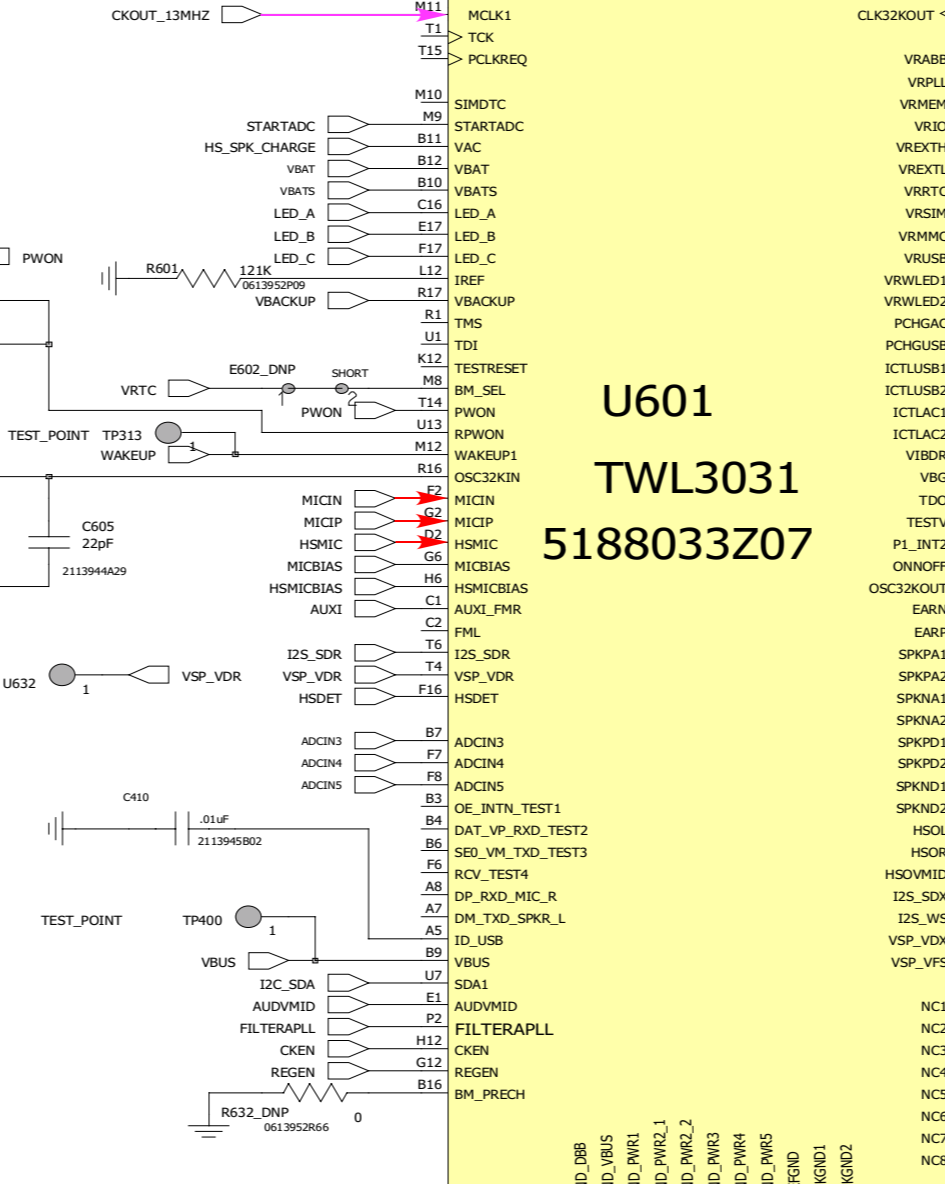
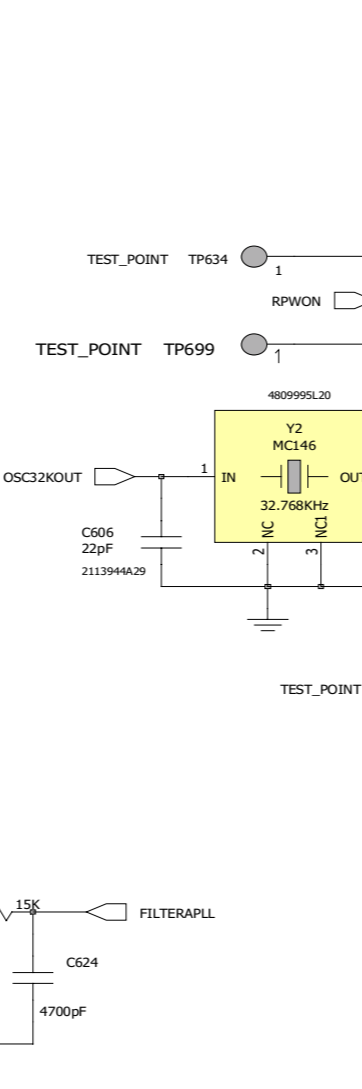
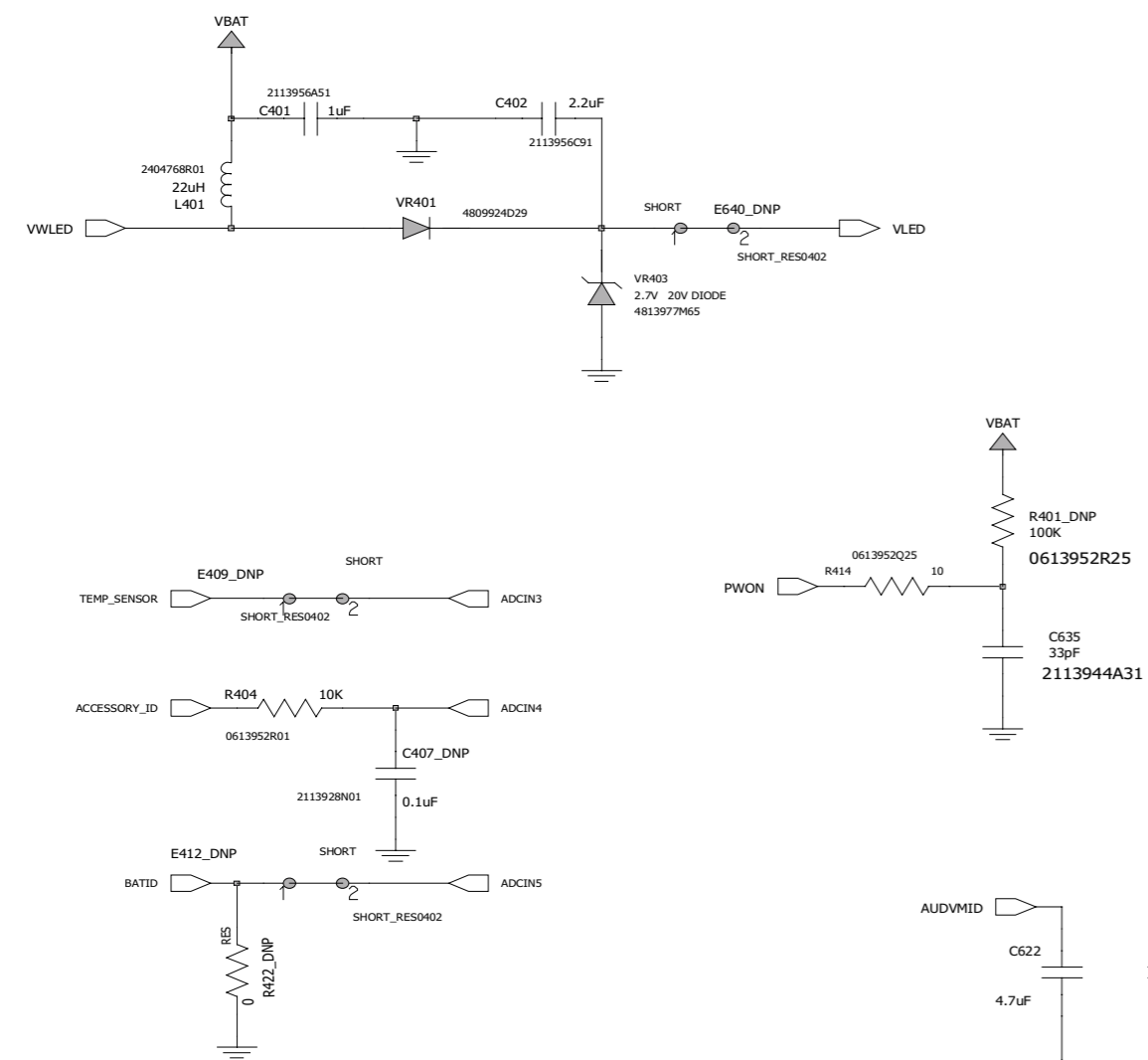


F3_8488629Z01

Service Engineering & Optimization
Level 3 Authorized

Service Engineering & Optimization	2006.09.28
Level 3 Schematics	Rev. A
F3	8488629Z01
	Page 2 of 4

TRITON



Service Engineering & Optimization
Level 3 Authorized

Service Engineering & Optimization	2006.09.28
Level 3 Schematics	Rev. A
F3	8488629Z01
	Page 4 of 4

F3_8488629Z01