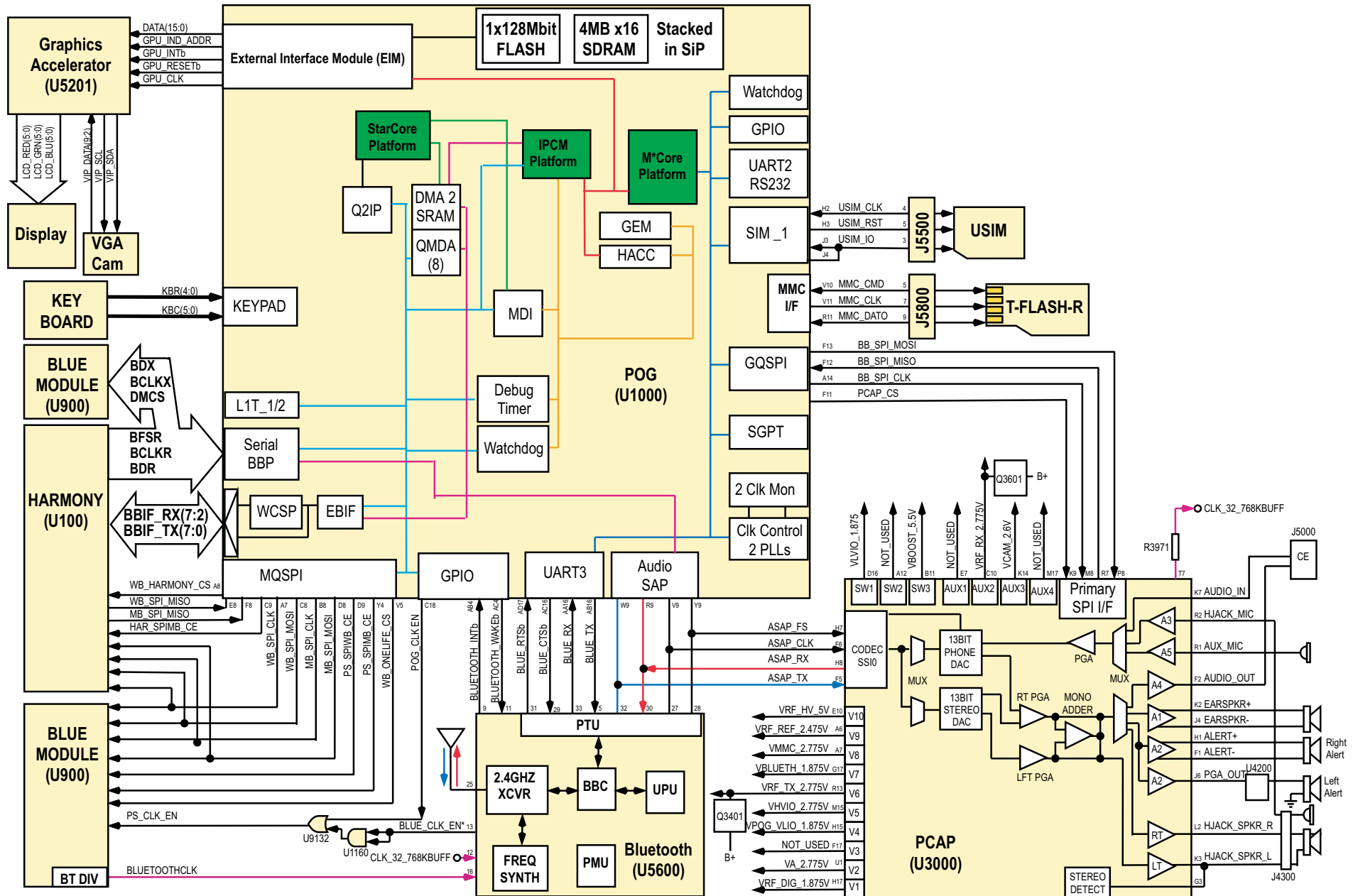


Alya: POG I/F Block Diagram (Draft 1.0)

PCB: Portable_P0



Motorola Confidential Proprietary