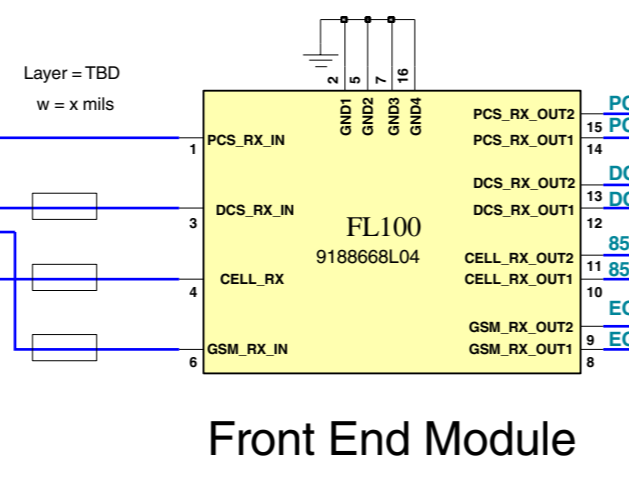
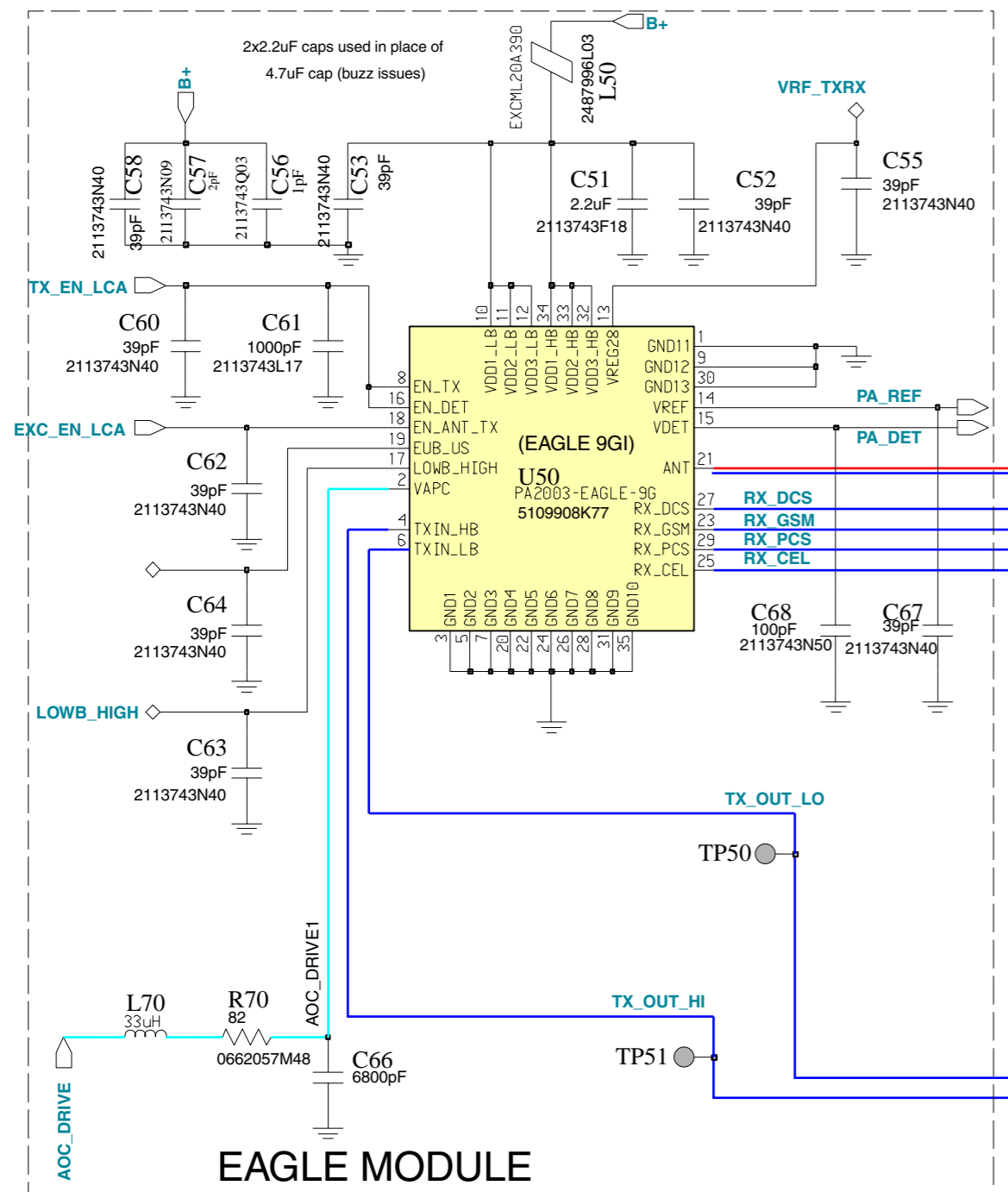
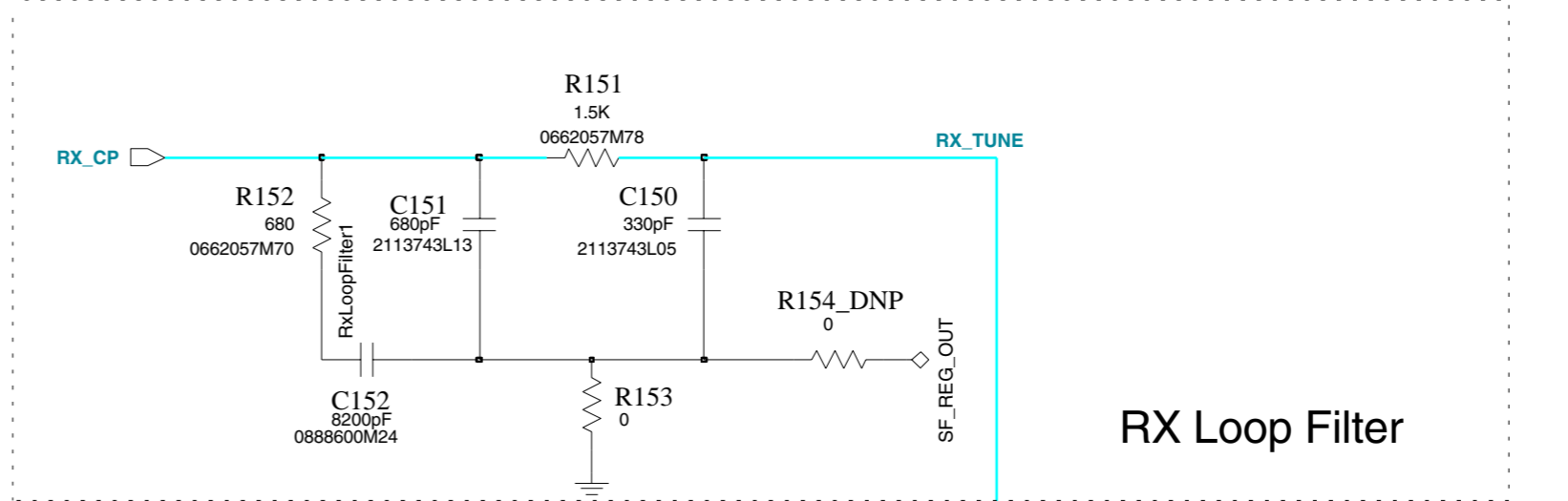
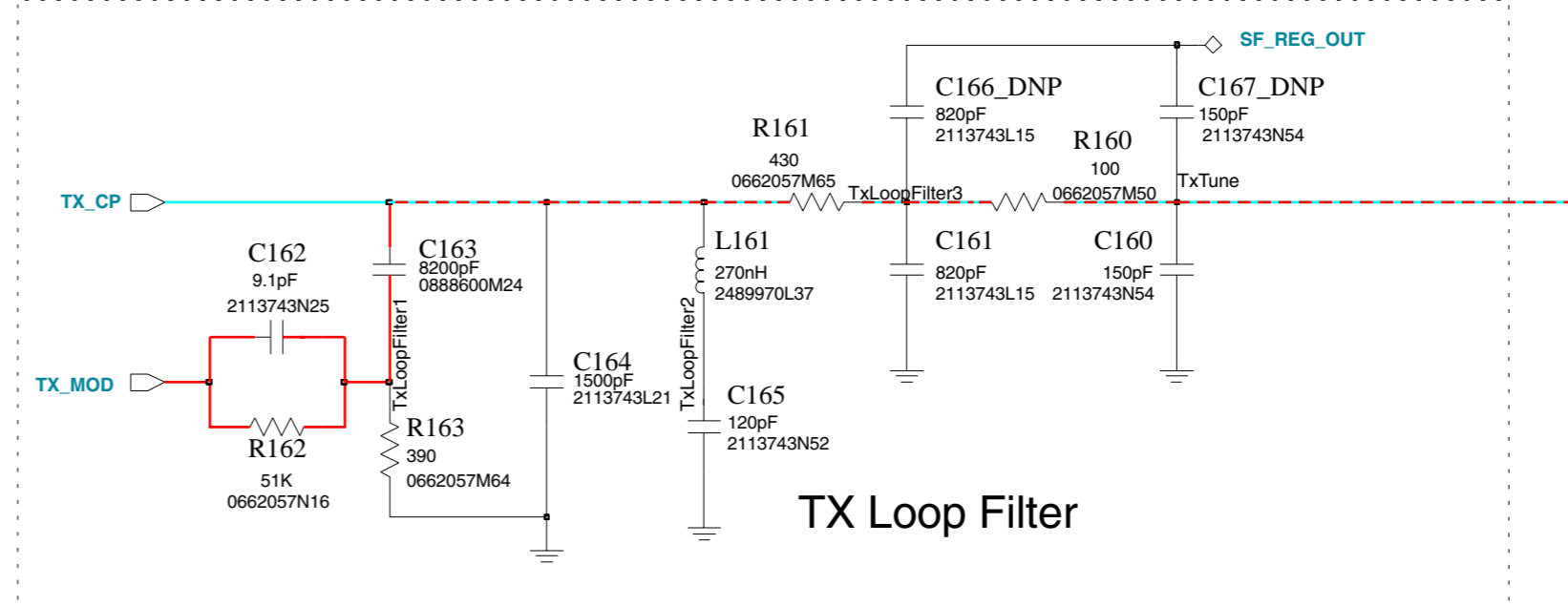
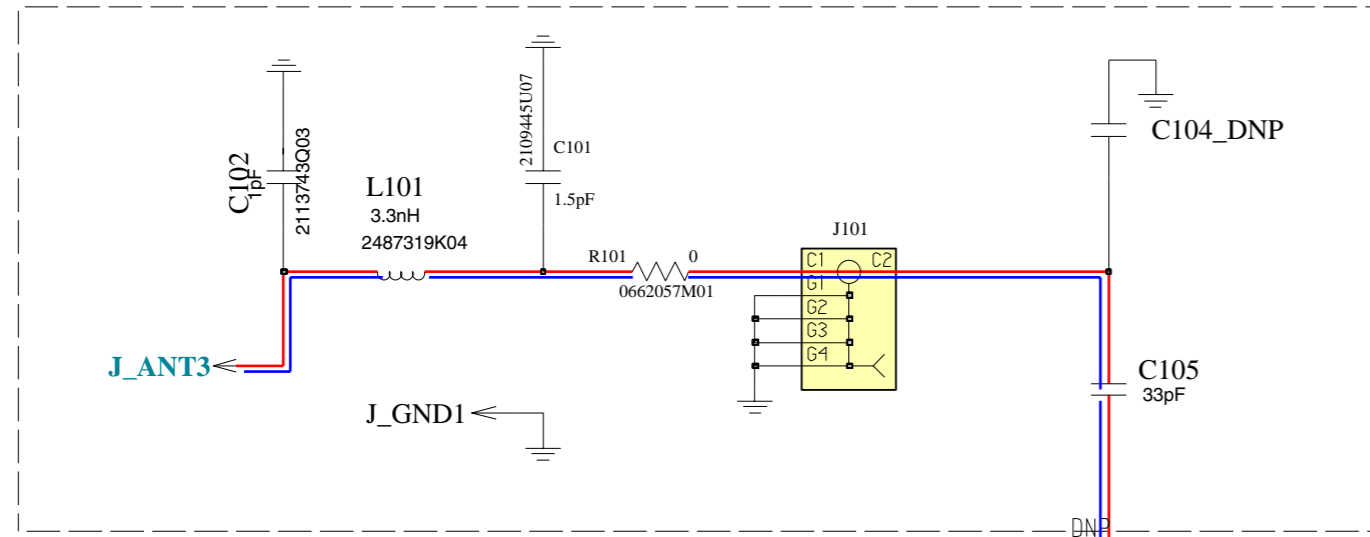
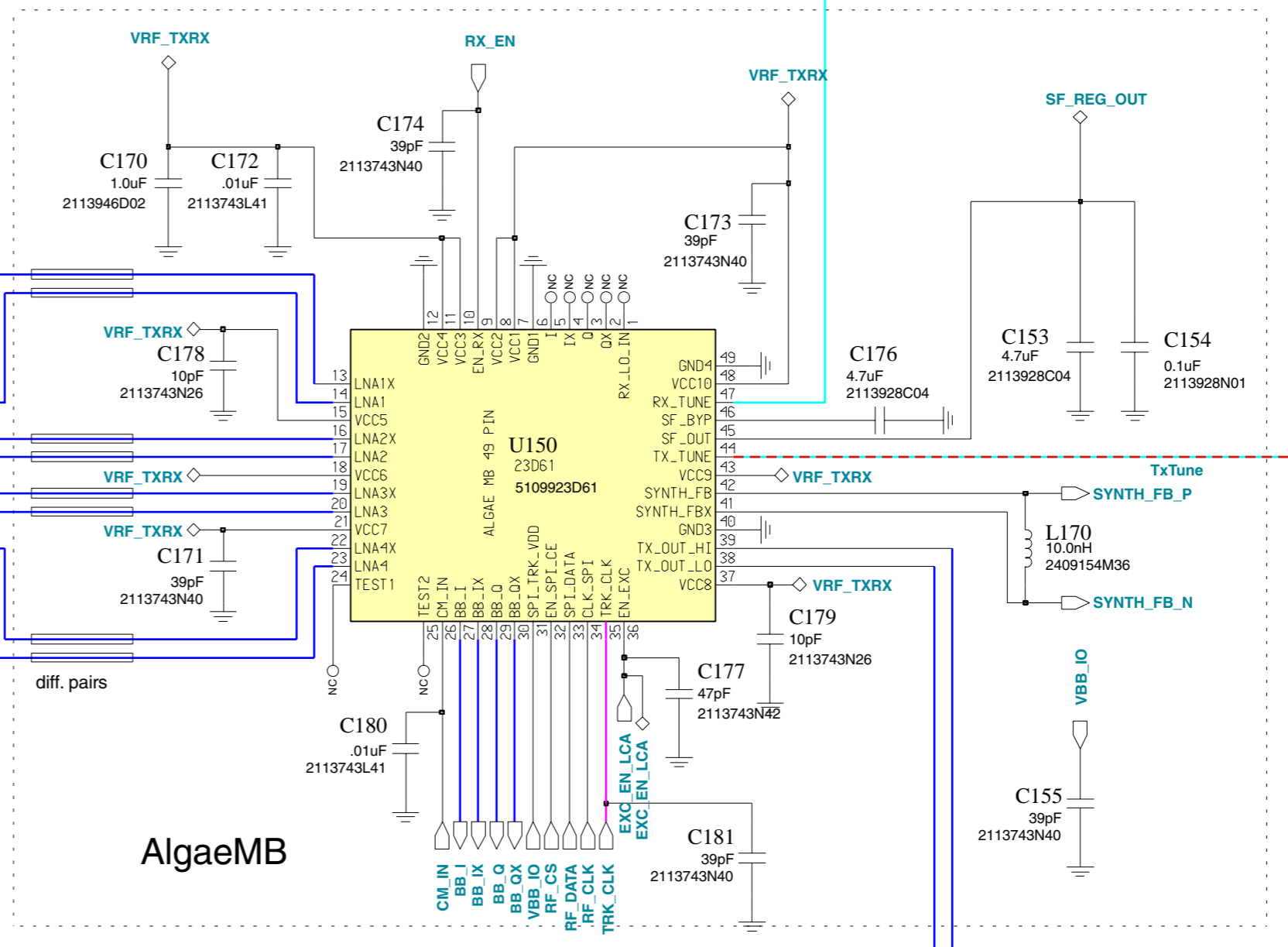
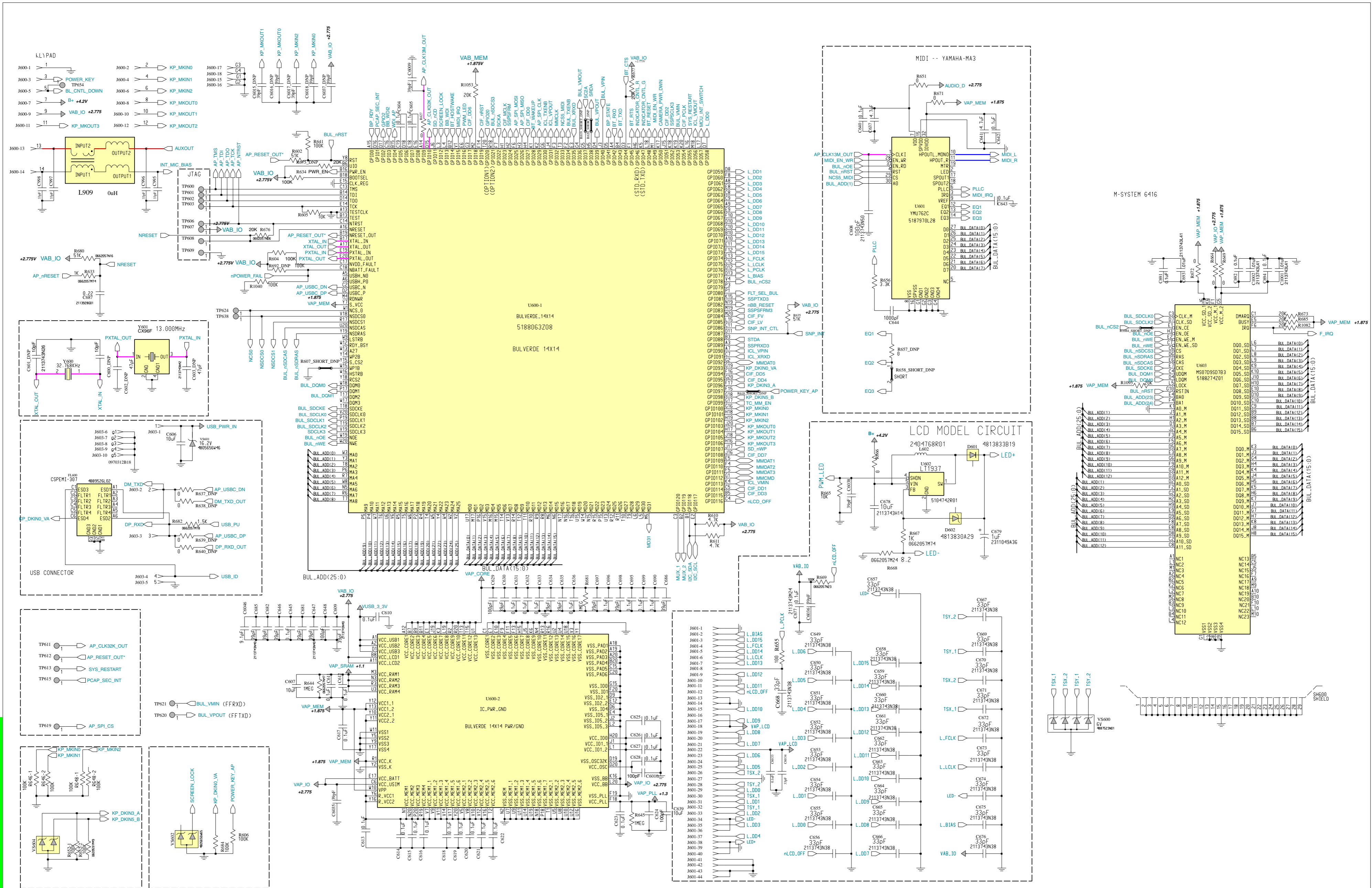


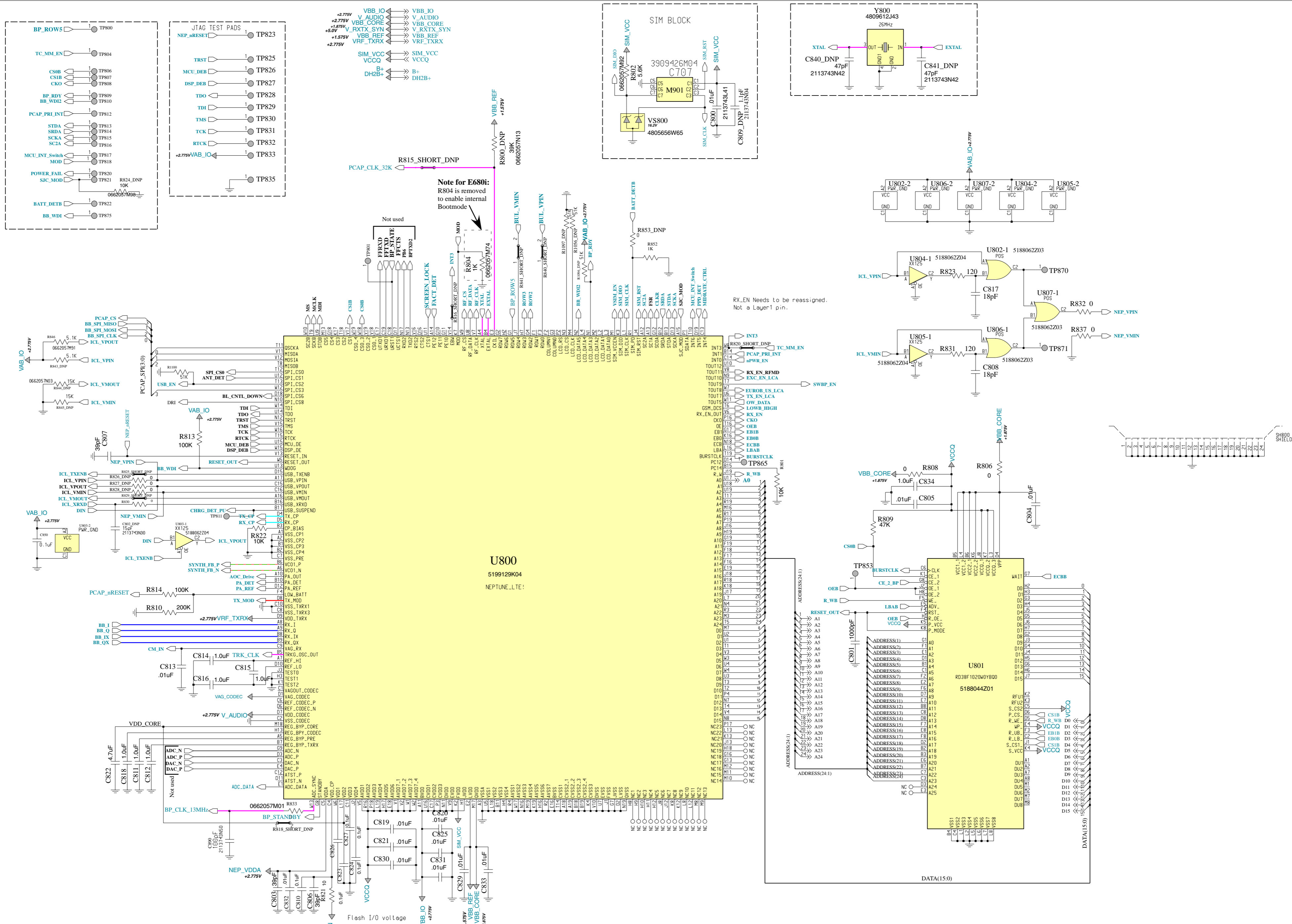
ANTENNA MODULE



EUB_US	LOWB_HIGH	EXC_EN	Mode	Band
1	0	1	Tx CEL	EGSM
0	0	1	Tx DCS	PCS
0	1	1	Tx DCS	PCS
1	1	1		
1	0	0	Rx	CEL
0	0	0	Rx	EGSM
0	1	0	Rx	DCS
1	1	0	Rx	PCS





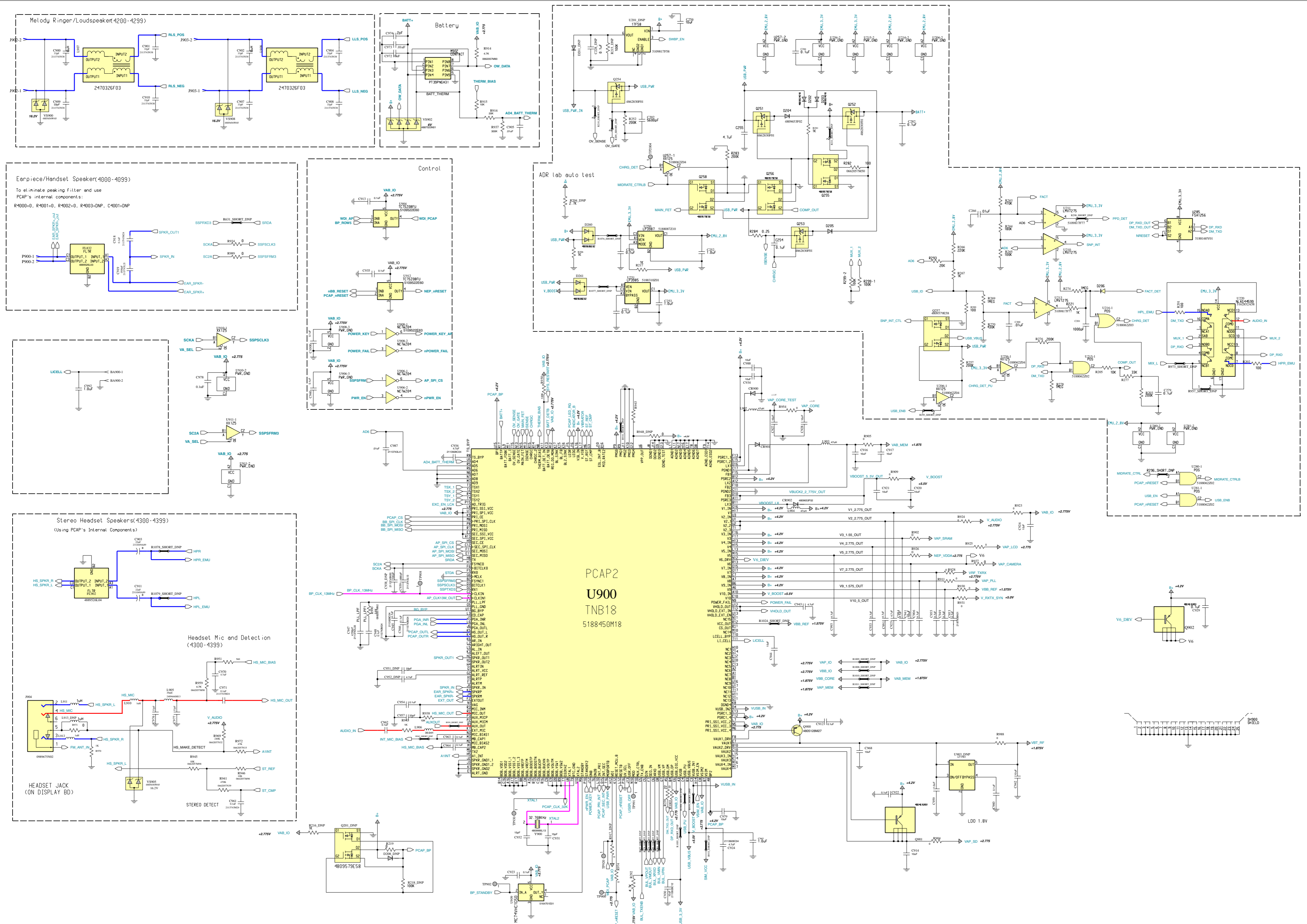


Note for E680i:  
R804 is removed to enable internal Bootmode

RX\_EN Needs to be reassigned.  
Not a Layer1 pin.

U800  
5199129K04  
NEPTUNE\_LTE

U801  
5188044Z01



PCAP2  
U900  
TNB18  
5188450M18

