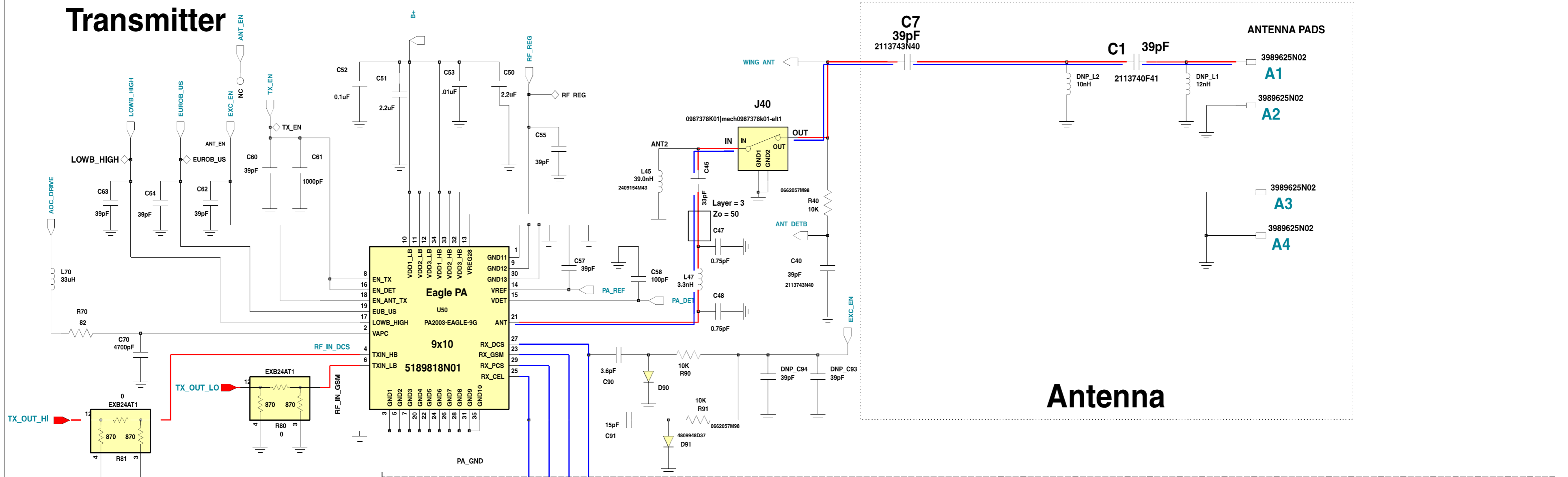


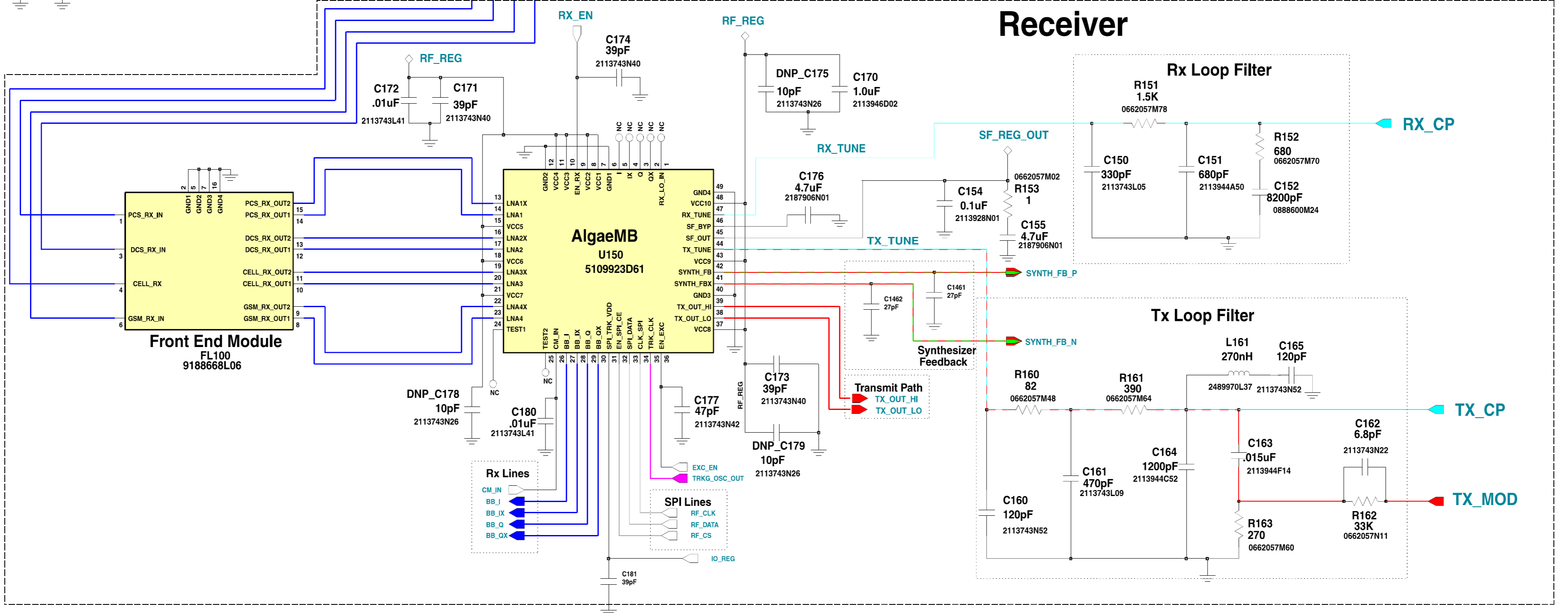
E398\_8489233N10 iss.B

# Transmitter



# Antenna

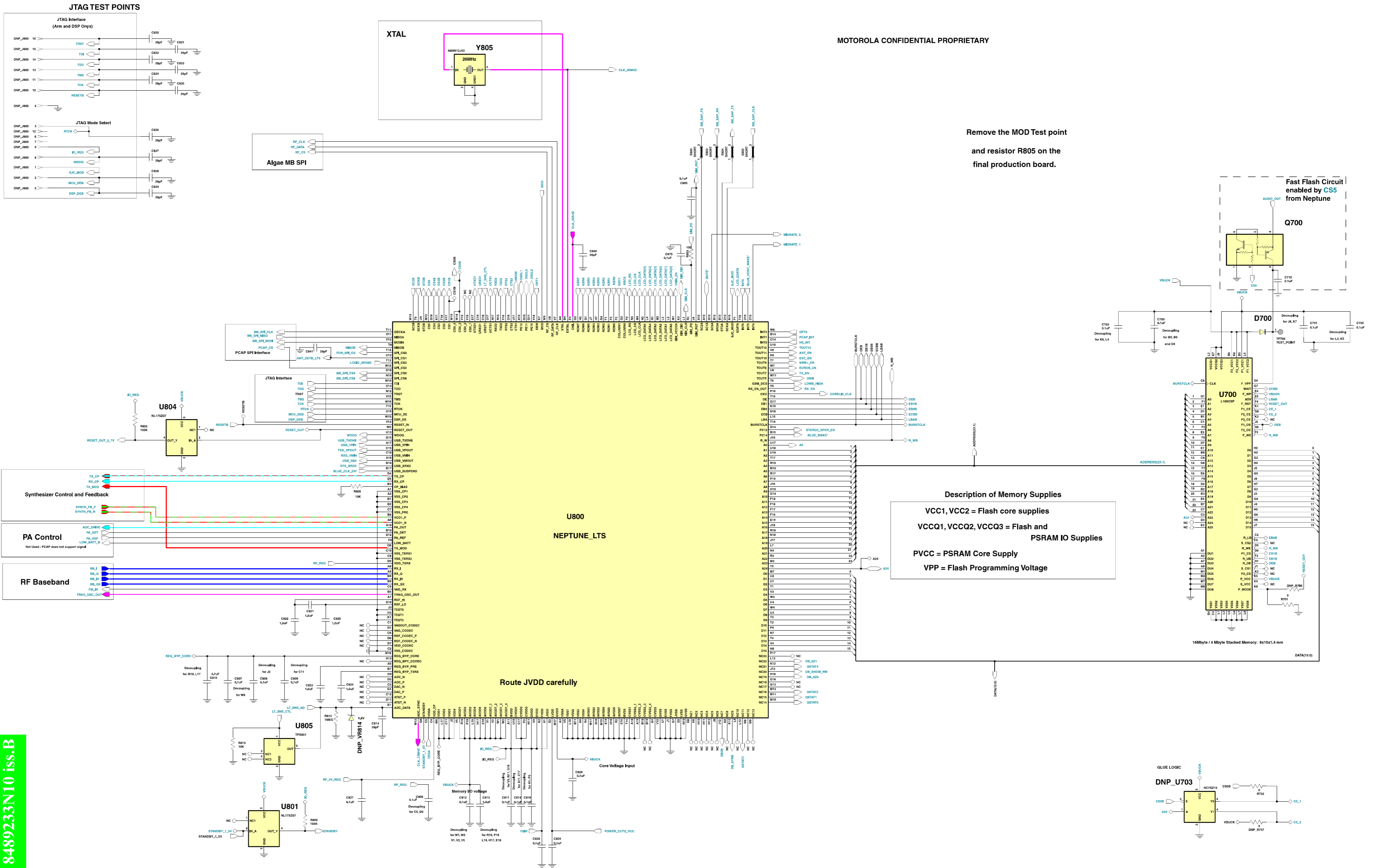
# Receiver



MOTOROLA CONFIDENTIAL PROPRIETARY

E398\_8489233N10 Iss.B

# Processor and Memory



MOTOROLA CONFIDENTIAL PROPRIETARY

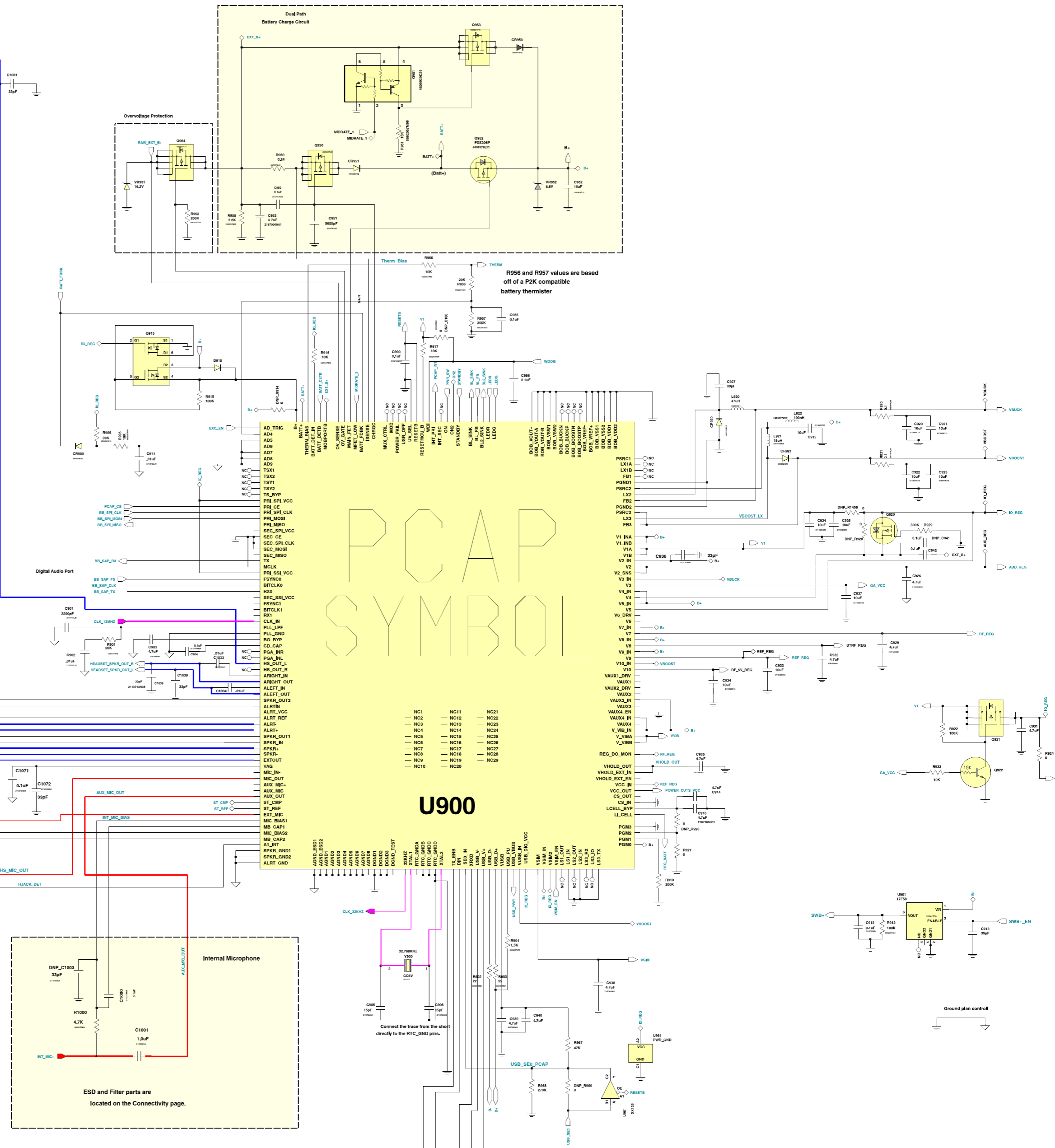
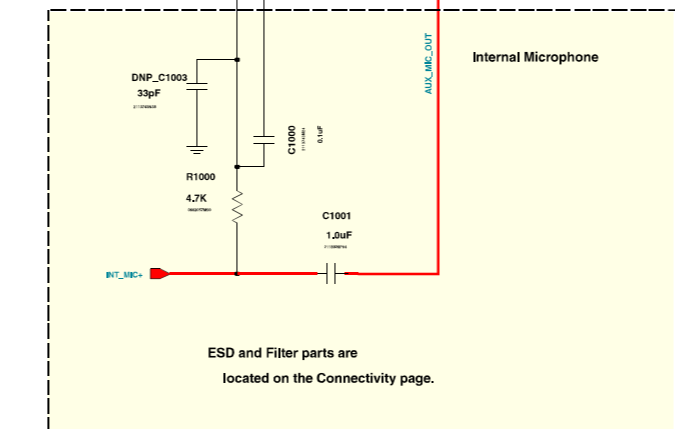
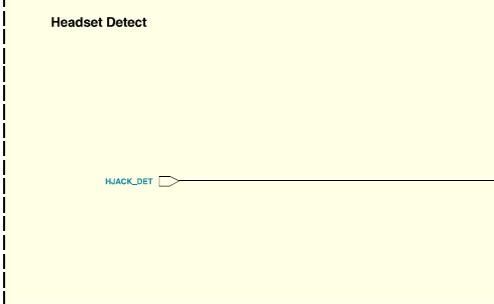
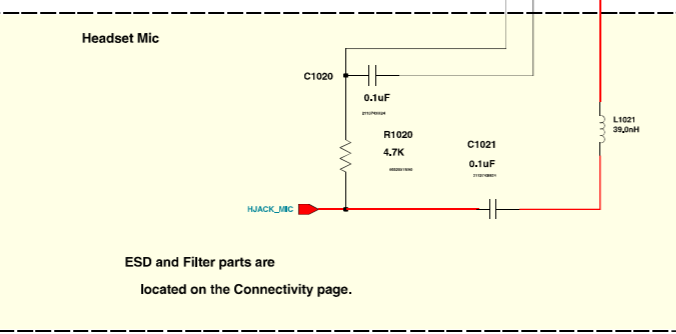
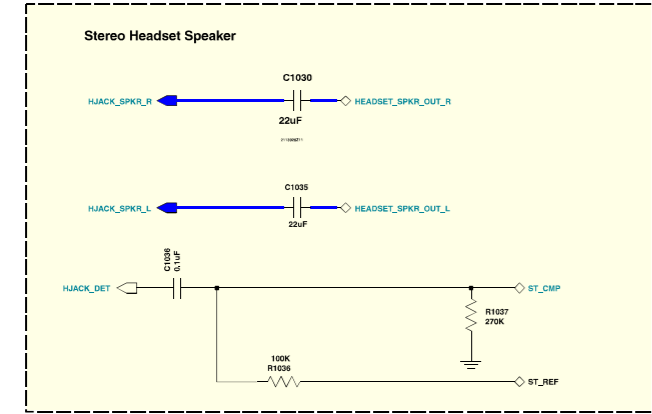
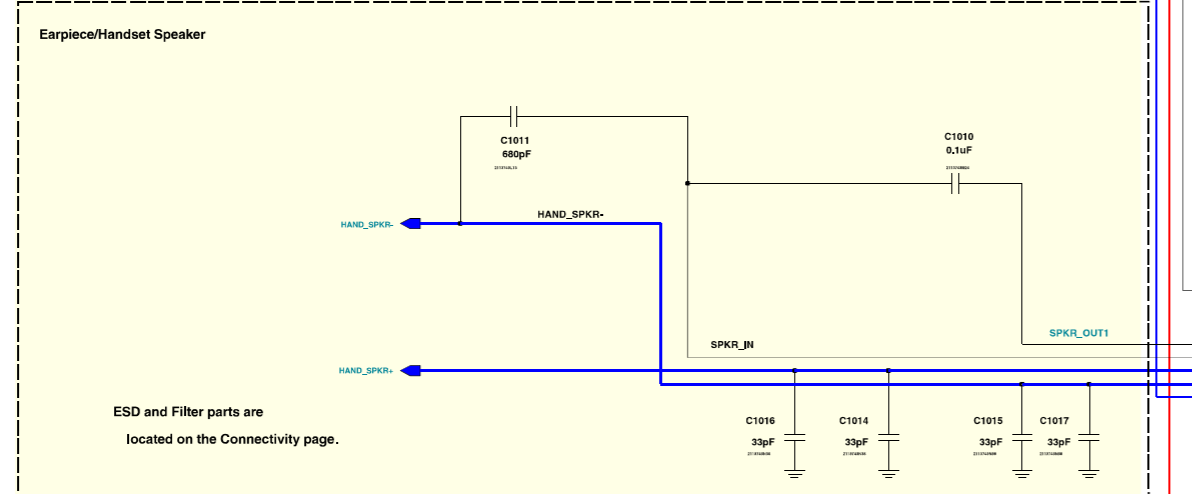
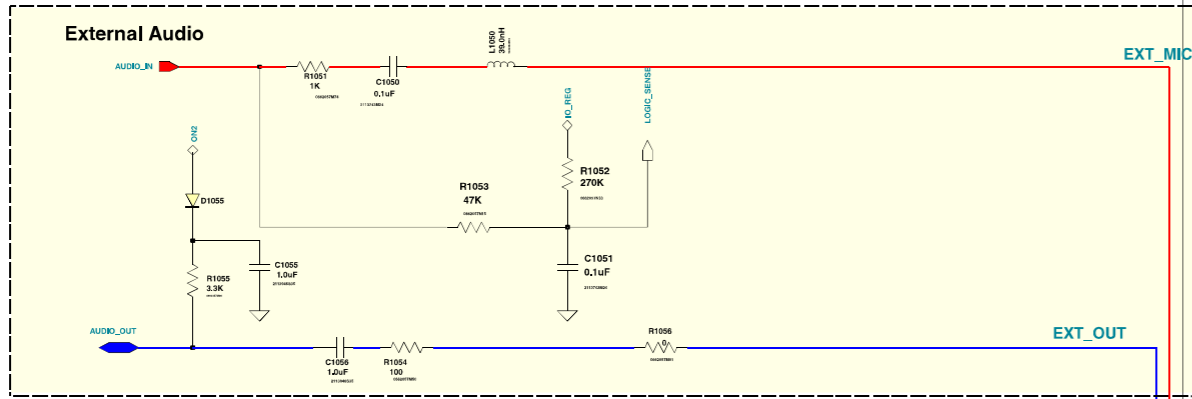
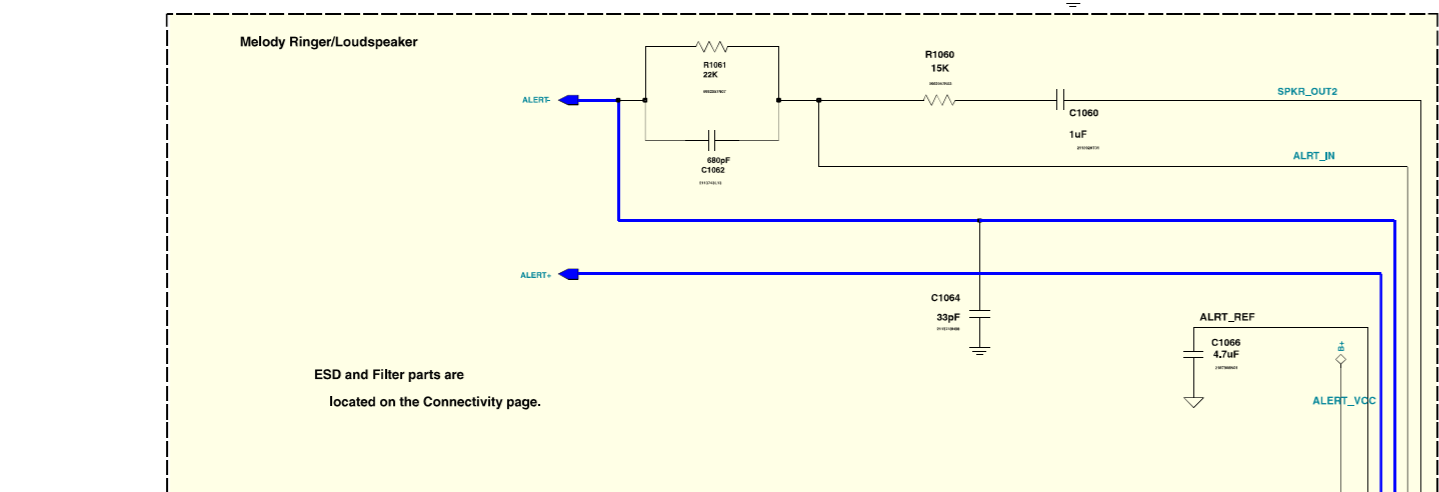
E398\_8489233N10 iss.B

# Regulator, Audio, Charger, A/D Converter and RTC

MOTOROLA CONFIDENTIAL PROPRIETARY

PCAP SYMBOL

U900



E398\_8489233N10 iss.B

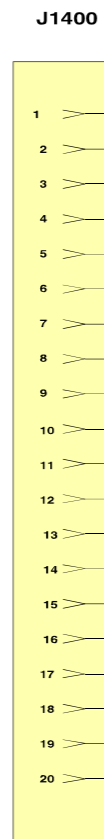
Service Engineering & Optimization  
Level 3 Authorized

Service Engineering & Optimization	2004.04.20
Level 3 Schematics	Rev. 1.0
E39x	8489233N10 iss.B
Alexander Buehler, Michael Hansen	Page 4 of 7

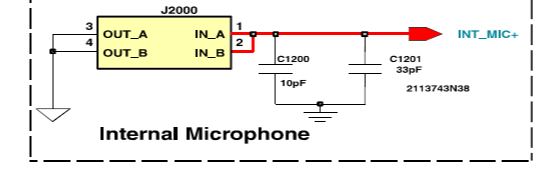
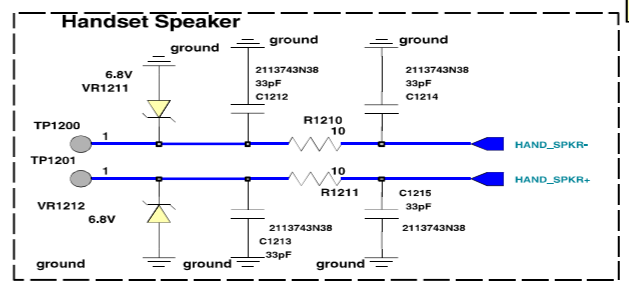
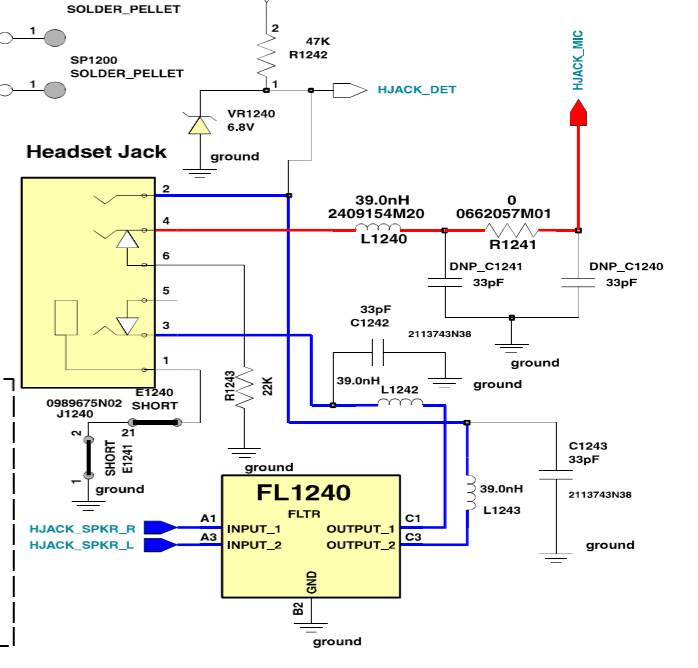
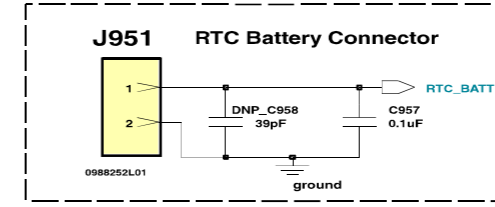
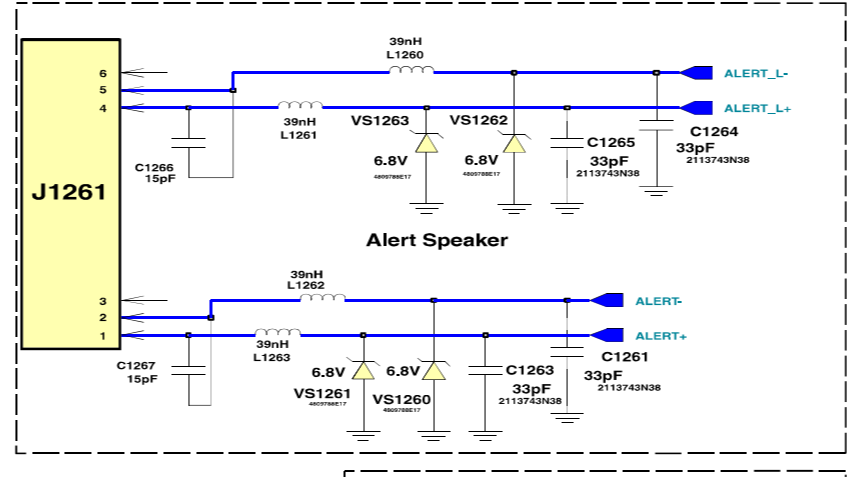
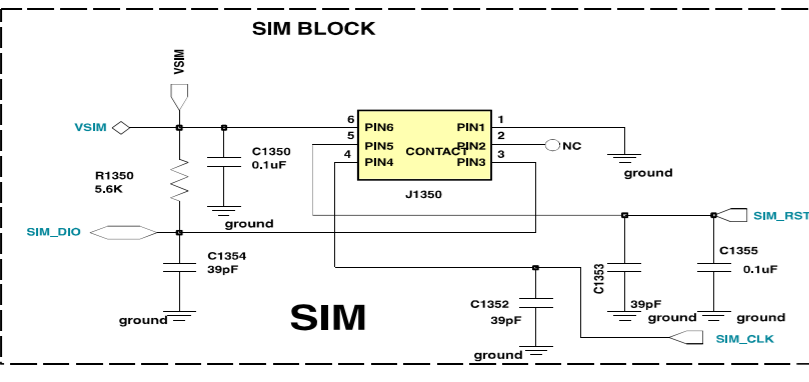
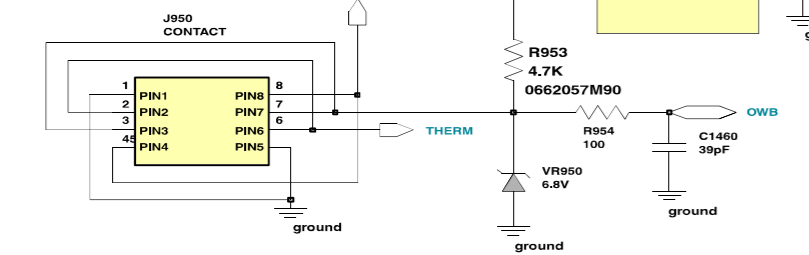
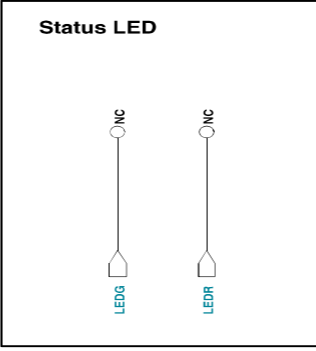
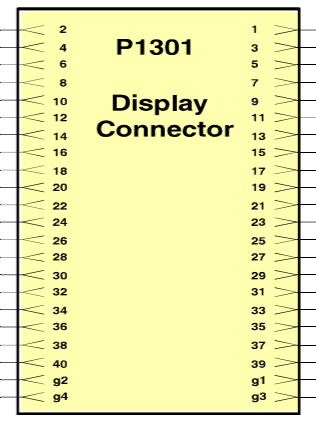
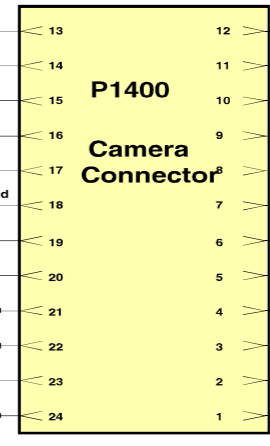
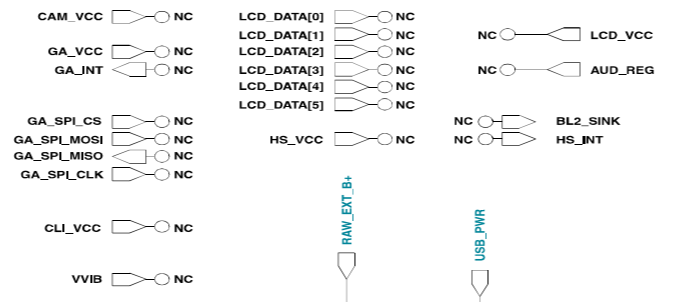
MOTOROLA INTERNAL USE ONLY

**Accessory Connector  
CE Connector (0987636K06)**

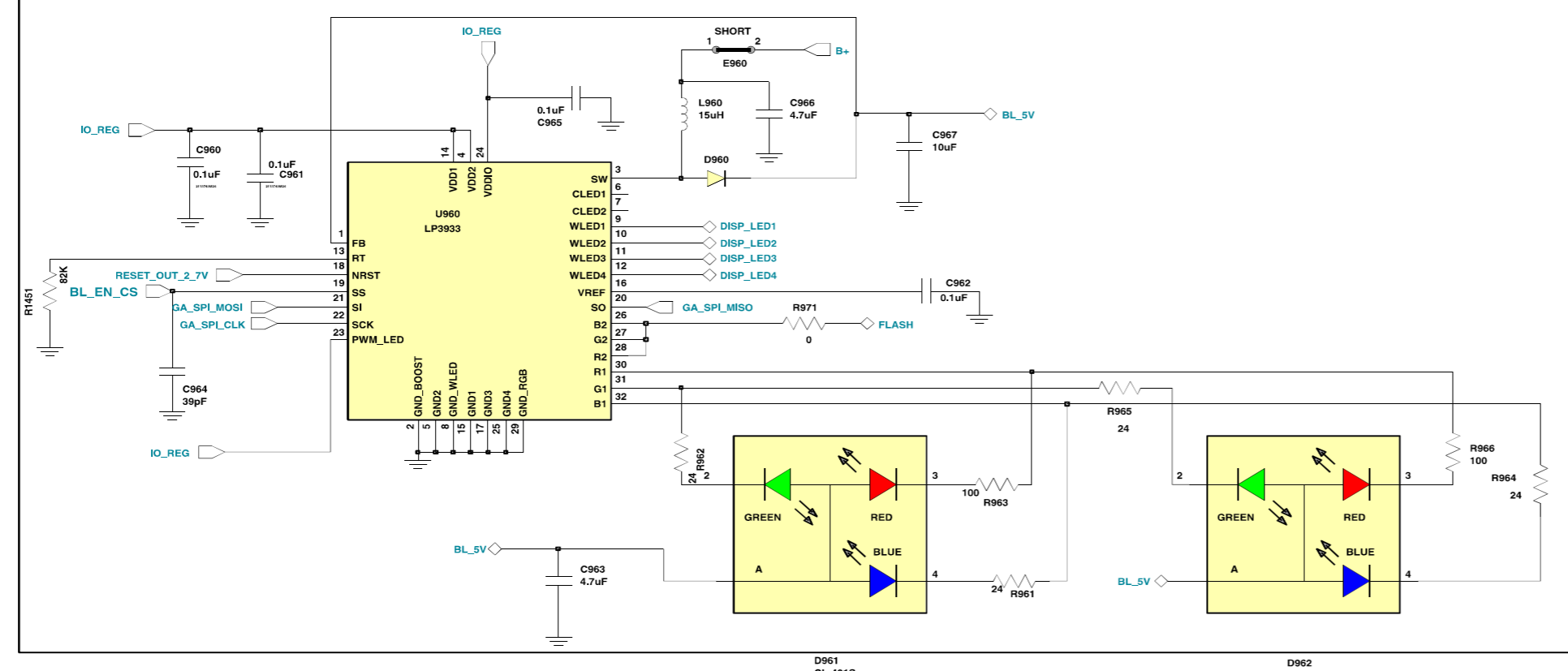
- BATT\_FDBK
- EXT\_B+
- D+ / TXD
- D- / RXD
- USB\_PWR / IGN / SEND\_END / RTS / RESET\_IN
- SWB+
- HKSW / FM\_DATA / CTS
- MUTE+ / FS / DCD
- DSEL2 / SCK / RI
- DSEL1 / FM\_CLOCK / SRDA / DTR
- DSELO / FM\_EN / STDA / DSR
- OPTION1
- OPTION2
- AUDIO\_OUT / 12V Flash
- AUDIO\_IN



**Connector for Graphics Accelerator needs to be connected**



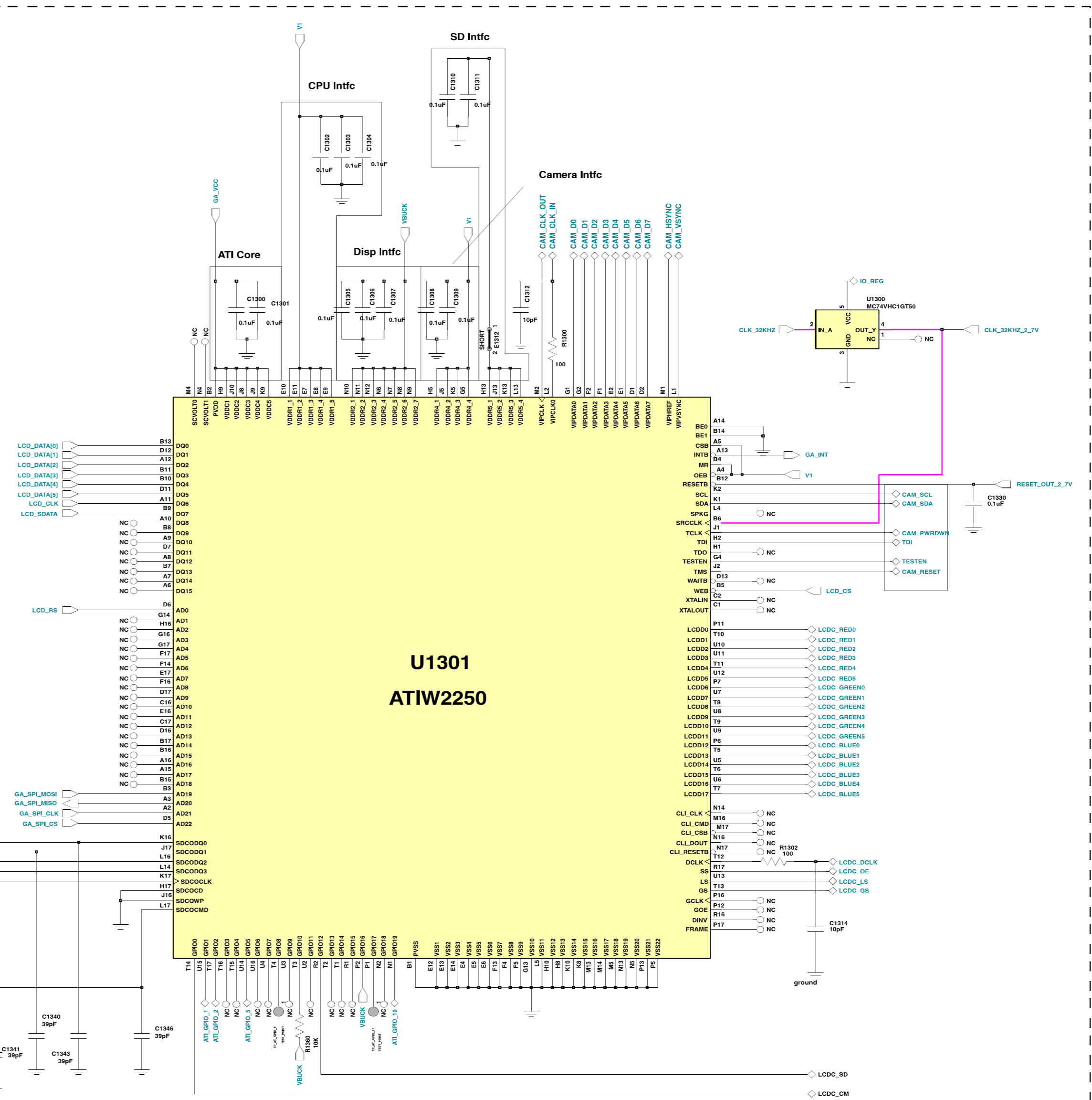
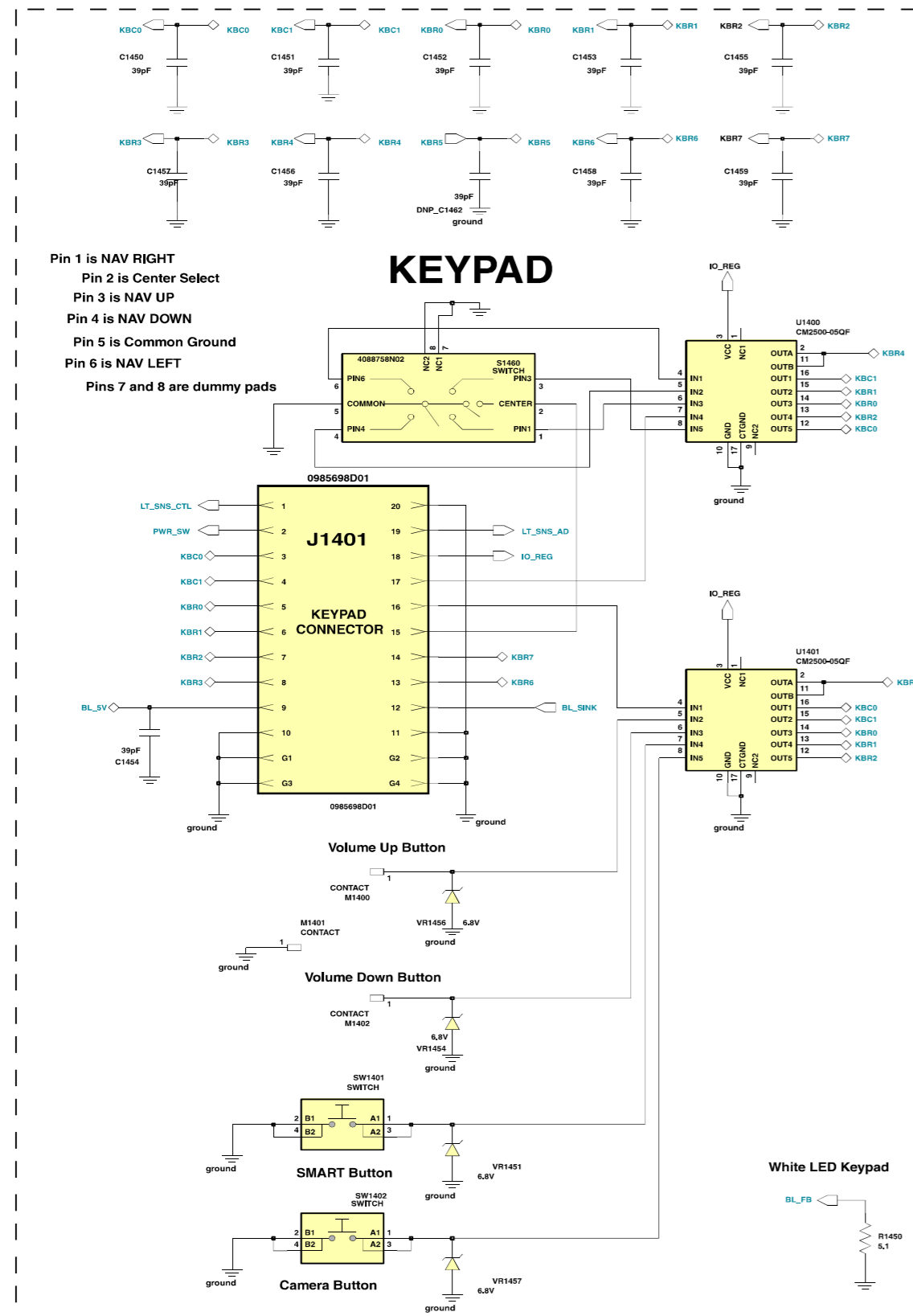
**Tri-Color LED Driver  
(for fun lights)**



**Connector  
and Tri-Color Driver**

E398\_8489233N10 Iss.B

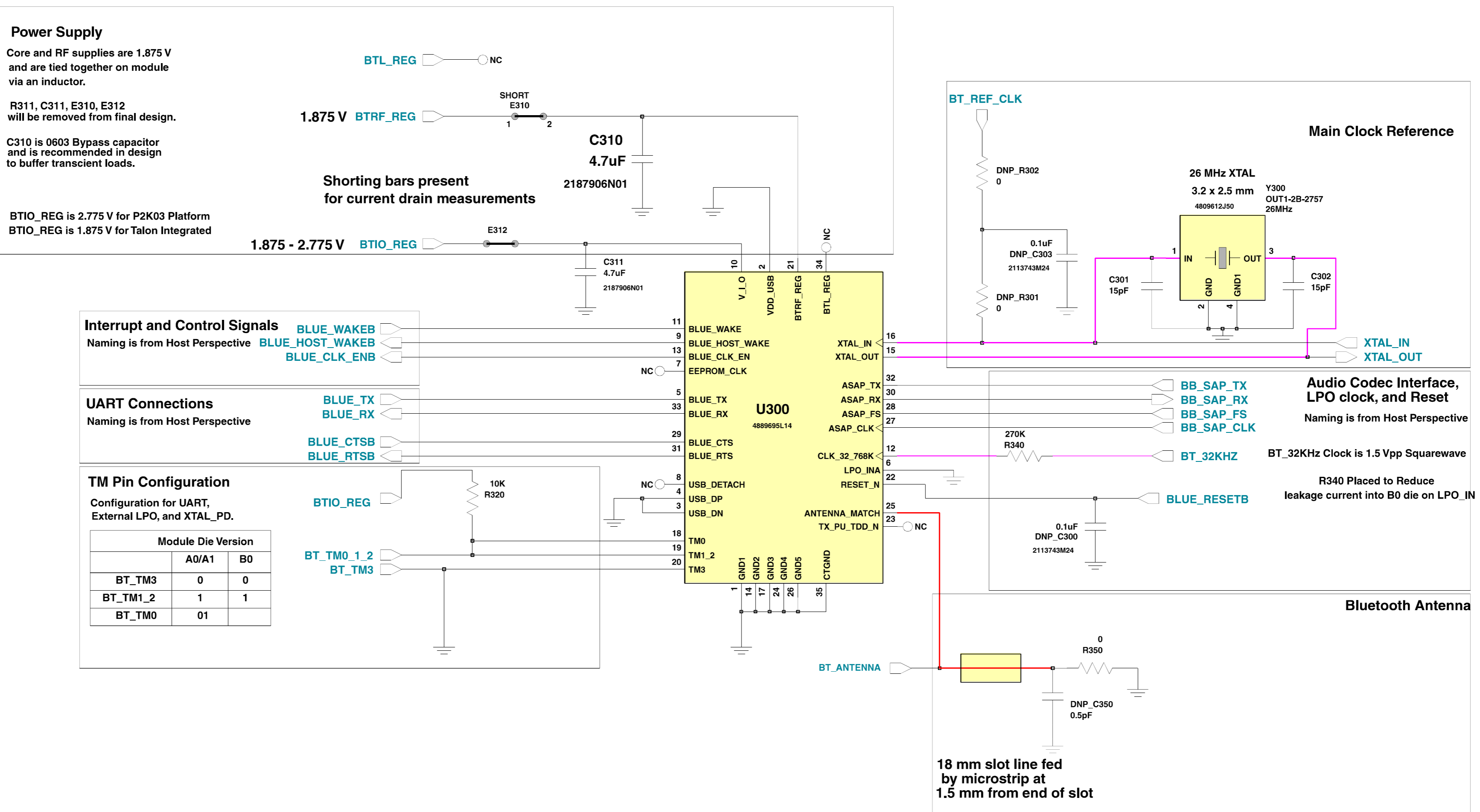
# Connector and Video/ LCD Processor with Tri-Flash Memory Cardreader



E398\_8489233N10 Iss.B

# E398 Bluetooth Module Implementation

## Dedicated 26 MHz Crystal Implementation



E398\_8489233N10 iss.B