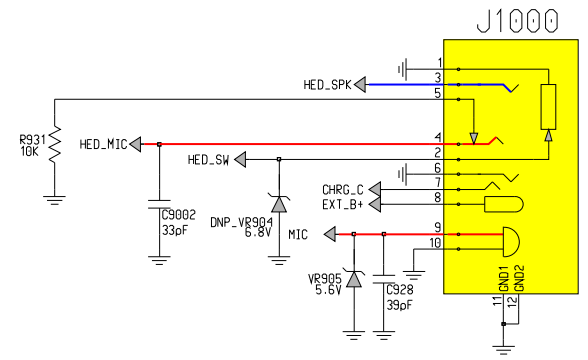
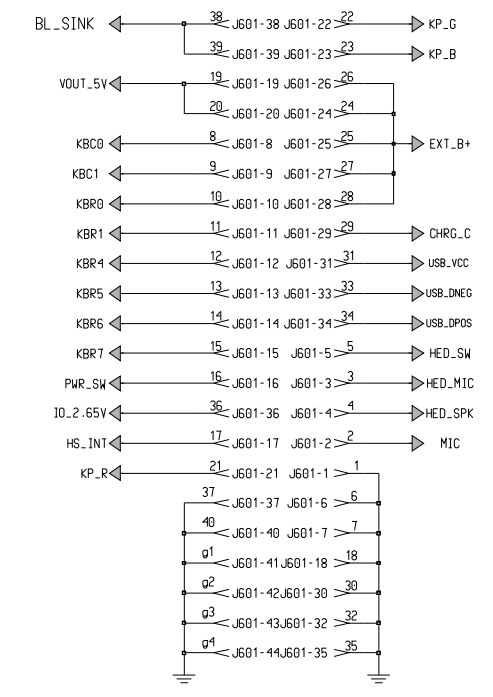
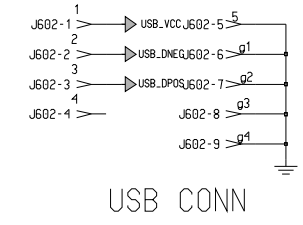
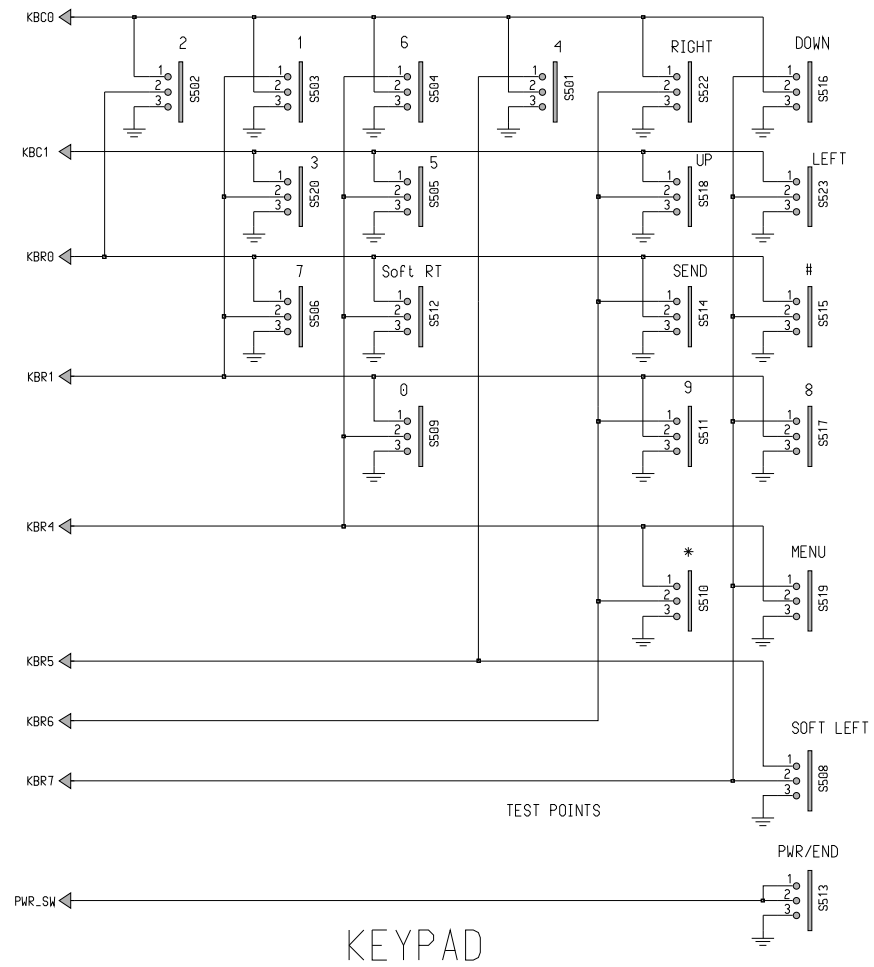
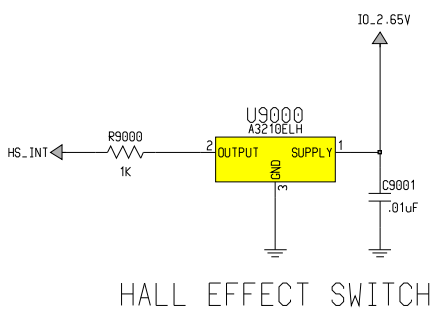
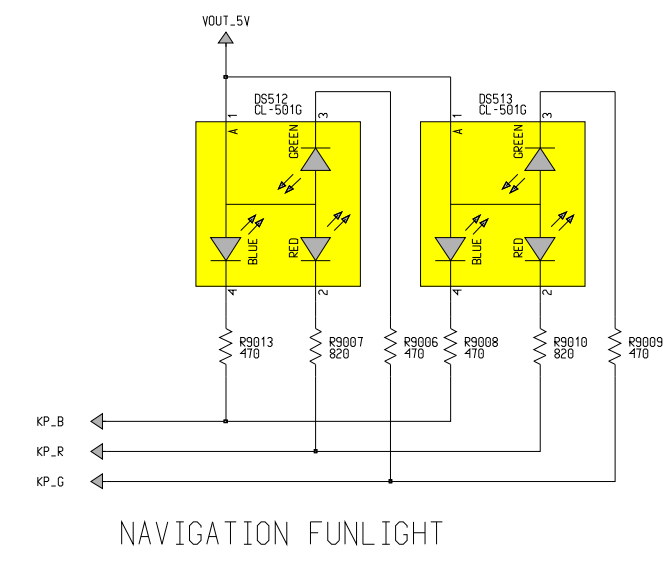
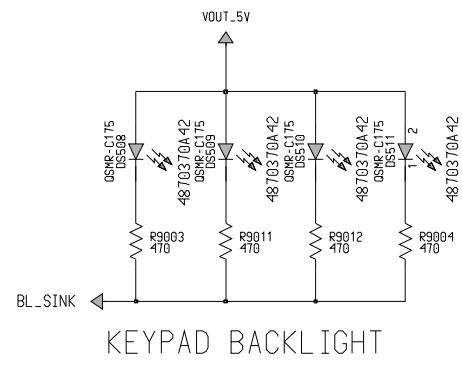


413A

Engineer:	MOTOROLA INC.		
Drawn by:			
R&D CHK:	TITLE:	Size:	
DOC CTRL CHK:	KEYPAD BOARD	11x34	
MFG CTRL CHK:	REV:	Drawing Number:	Page:
QA CHK:	1		1
Changed by:	Date:	Time:	
P1	Proto-type released (temp on: Y02008)	05APR02	
P2	CHANGE PART NUMBER: DS512, DS513, J601, R9003, R9004, R9011, R9012, R9005, R9006, R9007, R9008, R9009, R9010 CHANGE DNP TO PLACED: C928 DELETED TESTPOINTS GROUND & PWR_SW	27AUG02	
P3	REPLACE J931 & J920 WITH TESTPOINTS CHANGE RES TO 0662057M66: R9003, R9011, R9012, R9004	12NOV02	
P4	schematic no change		
P5	J1000 -- 3 in 1 butt plug	02Mar03	
P6	Del DNP_R9001 & DNP_C9000 Added VR905 Changed R9007 & R9010 fm 470 to 820 ohms	15Apr03	
0	Added C9002, 33pF @ HED_MIC		



# E380 900/1800MHz Keyboard 8486601P01\_Rev0

## REVISIONS

Service Technical Support	2003.06.19
Level 3 Schematics	8486601P01_Rev0
Dual Band E380 Keyboard 900/1800MHz	V1.0
Michael Hansen	Page 1 of 1