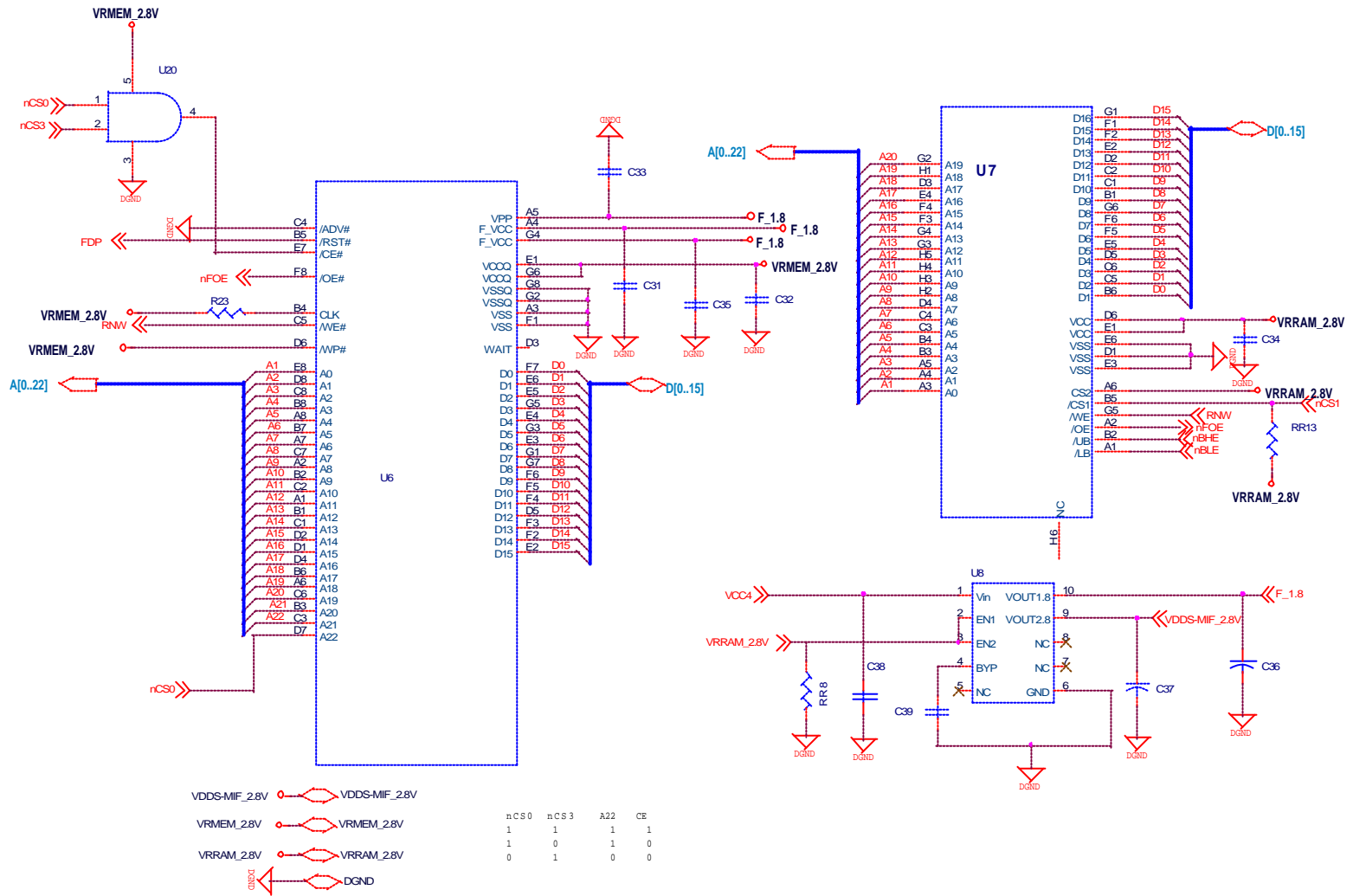


IOTA

<b>Compal Communications, Inc.</b>			
SCHEMATIC, MB GA-031			
File	Document Number	601027	Rev
Size			0B
Customer			
Date	星期二, 二月 25, 2003	Sheet	2 of 16

THIS SHEET OF ENGINEERING DRAWING IS THE PROPRIETARY PROPERTY OF COMPAL COMMUNICATIONS, INC. AND IS CONFIDENTIAL AND TRADE SECRET INFORMATION. THIS SHEET MAY NOT BE TRANSMITTED FROM THE SECURITY OF THE COMPANY OR DISCLOSED OR REPRODUCED OR COPIED OR REPRODUCED IN ANY MANNER WITHOUT THE WRITTEN PERMISSION OF COMPAL COMMUNICATIONS, INC. NEITHER THIS SHEET NOR THE INFORMATION CONTAINED HEREIN MAY BE USED BY OR DISCLOSED TO ANY THIRD PARTY WITHOUT PRIOR WRITTEN CONSENT OF COMPAL COMMUNICATIONS, INC.

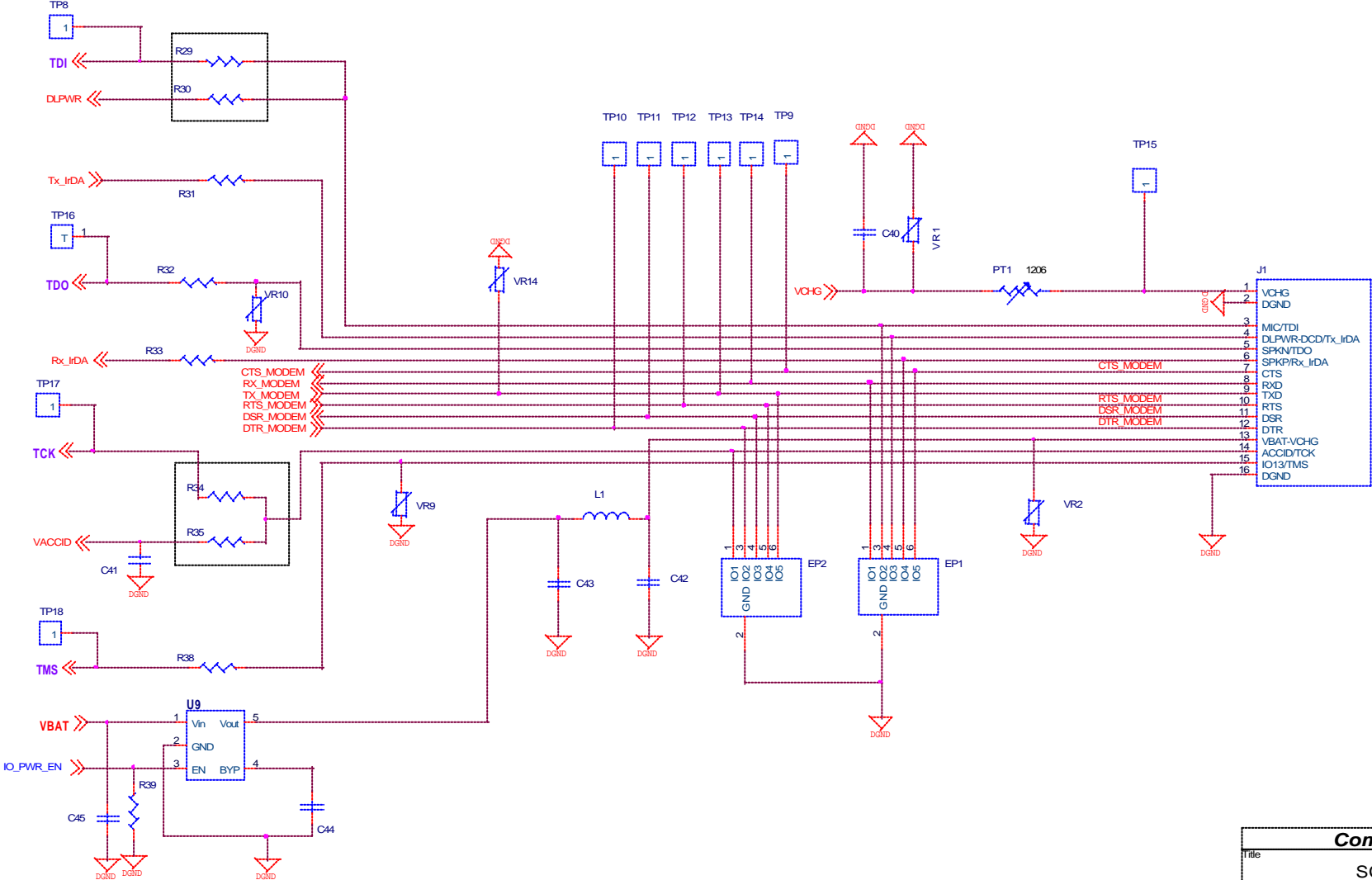


<p>VDDS-MIF_2.8V</p> <p>VRMEM_2.8V</p> <p>VRRAM_2.8V</p> <p>DGND</p>	<p>nCS0</p> <p>nCS3</p> <p>A22</p> <p>CE</p>
<p>1</p> <p>1</p> <p>1</p> <p>1</p>	<p>1</p> <p>1</p> <p>1</p> <p>1</p>
<p>1</p> <p>0</p> <p>0</p>	<p>1</p> <p>1</p> <p>0</p>
<p>0</p> <p>1</p> <p>0</p> <p>0</p>	<p>1</p> <p>0</p> <p>0</p> <p>0</p>

**Memory&LDO**

<b>Compal Communications, Inc.</b>		
Title		
SCHEMATIC, MB GA-031		
Size	Document Number	Rev
B	601027	0B
Date:	星期二, 二月 25, 2003	Sheet 3 of 16

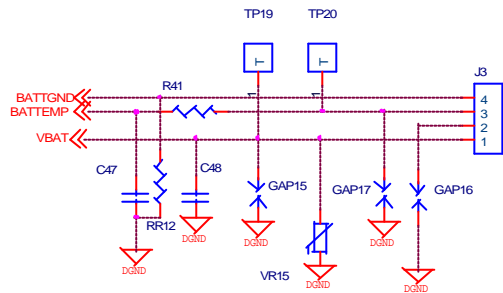
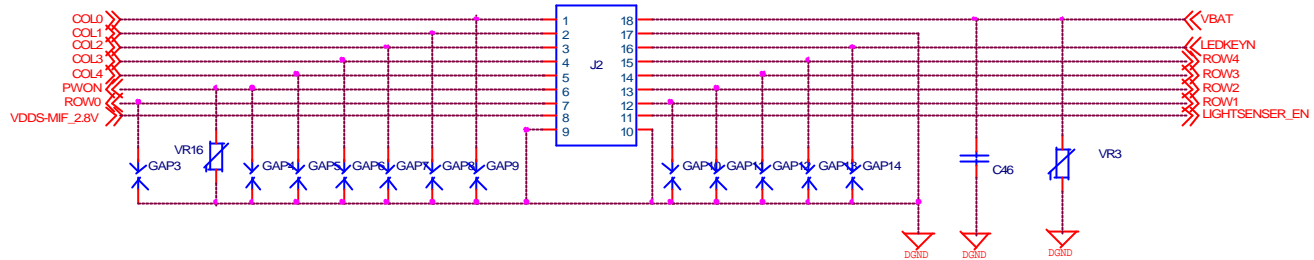
THIS SHEET OF ENGINEERING DRAWING IS THE PROPRIETARY PROPERTY OF COMPAL COMMUNICATIONS, INC. AND CONTAINS CONFIDENTIAL AND TRADE SECRET INFORMATION. THIS SHEET MAY NOT BE TRANSFERRED FROM THE STUDY OF THE PRODUCT TO ANY OTHER PERSON OR DEPARTMENT EXCEPT AS AUTHORIZED BY COMPAL COMMUNICATIONS, INC. NEITHER THIS SHEET NOR THE INFORMATION CONTAINED THEREIN IS TO BE USED BY OR DISCLOSED TO ANY THIRD PARTY WITHOUT PRIOR WRITTEN CONSENT OF COMPAL COMMUNICATIONS, INC.



IO\_CONNECTOR

<b>Compal Communications, Inc.</b>			
SCHEMATIC, MBGA-031			
Size	Document Number	601027	Rev
B			0B
Date:	星期二, 二月 25, 2003	Sheet	4 of 16

THIS SHEET OF ENGINEERING DRAWING IS THE PROPRIETARY PROPERTY OF COMPAL COMMUNICATIONS, INC. AND IS CONFIDENTIAL AND TRADE SECRET INFORMATION. THIS SHEET MAY NOT BE TRANSFERRED FROM THE SCOPE OF THE CONFIDENTIALITY AND TRADE SECRET DEPARTMENT EXCEPT AS AUTHORIZED BY COMPAL COMMUNICATIONS, INC. NEITHER THIS SHEET NOR THE INFORMATION CONTAINED HEREIN MAY BE USED BY OR DISCLOSED TO ANY THIRD PARTY WITHOUT PRIOR WRITTEN CONSENT OF COMPAL COMMUNICATIONS, INC.



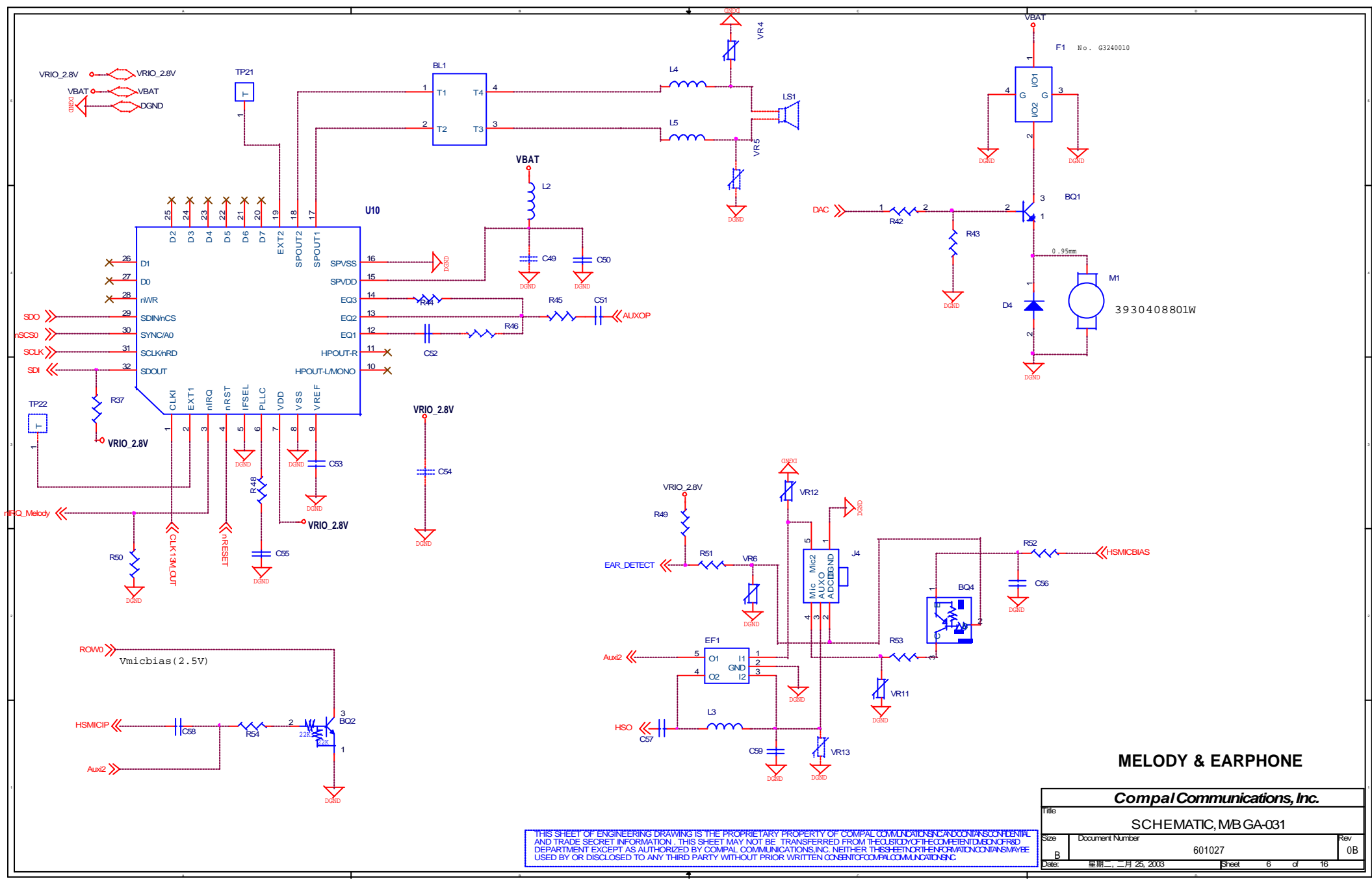
**BTB\_CONNECTOR**

**Compal Communications, Inc.**

SCHEMATIC, MB GA-031

THIS SHEET OF ENGINEERING DRAWING IS THE PROPRIETARY PROPERTY OF COMPAL COMMUNICATIONS, INC. AND IS UNCLASSIFIED AND TRADE SECRET INFORMATION. THIS SHEET MAY NOT BE TRANSFERRED FROM THE SECURITY OF THE COMPANY TO ANY OTHER DEPARTMENT EXCEPT AS AUTHORIZED BY COMPAL COMMUNICATIONS, INC. NEITHER THIS SHEET OR THE INFORMATION CONTAINED THEREIN MAY BE USED BY OR DISCLOSED TO ANY THIRD PARTY WITHOUT PRIOR WRITTEN CONSENT OF COMPAL COMMUNICATIONS, INC.

Size	Document Number	Rev
B	601027	0B
Date:	星期二, 二月 25, 2003	Sheet 5 of 16

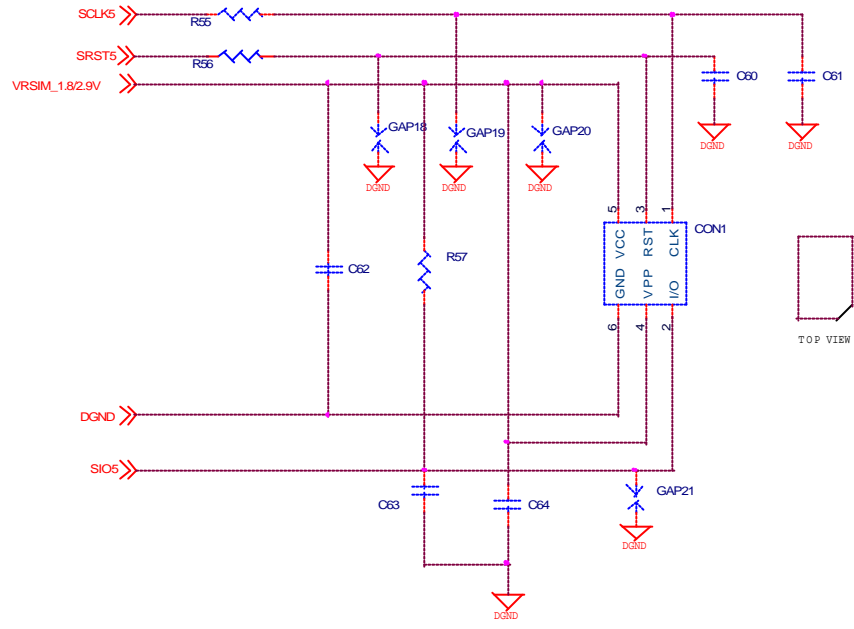


**MELODY & EARPHONE**

**Compal Communications, Inc.**

Title		
SCHEMATIC, MB GA-031		
Size	Document Number	Rev
B	601027	0B
Date:	日期: 二月 25, 2003	Sheet 6 of 16

THIS SHEET OF ENGINEERING DRAWING IS THE PROPRIETARY PROPERTY OF COMPAL COMMUNICATIONS, INC. AND IS CONFIDENTIAL AND TRADE SECRET INFORMATION. THIS SHEET MAY NOT BE TRANSFERRED FROM THE STUDY OF THE COMPONENTS OR R&D DEPARTMENT EXCEPT AS AUTHORIZED BY COMPAL COMMUNICATIONS, INC. NEITHER THE CONTENT NOR INFORMATION CONTAINED HEREIN IS TO BE DISCLOSED TO ANY THIRD PARTY WITHOUT PRIOR WRITTEN CONSENT OF COMPAL COMMUNICATIONS, INC.

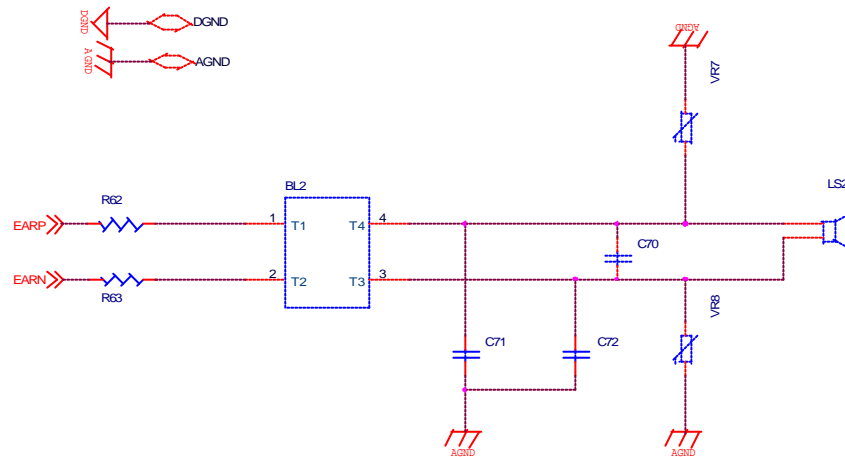
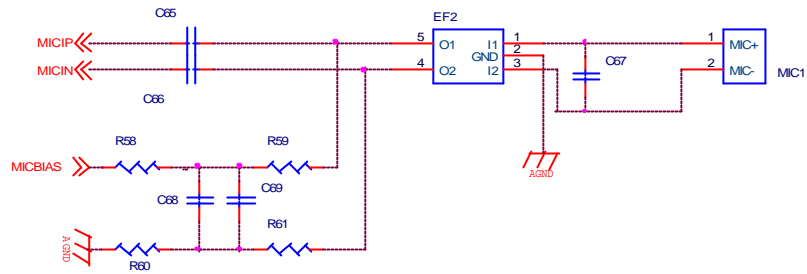


SIM

**Compal Communications, Inc.**

Title		
SCHEMATIC, MBGA-031		
Size	Document Number	Rev
B	601027	0B
Date:	星期二, 二月 25, 2003	Sheet 7 of 16

THIS SHEET OF ENGINEERING DRAWING IS THE PROPRIETARY PROPERTY OF COMPAL COMMUNICATIONS, INC. AND CONTAINS CONFIDENTIAL AND TRADE SECRET INFORMATION. THIS SHEET MAY NOT BE TRANSFERRED FROM THE STUDY OF THE COMPETENT DESIGN AND R&D DEPARTMENT EXCEPT AS AUTHORIZED BY COMPAL COMMUNICATIONS, INC. NEITHER THIS SHEET NOR THE INFORMATION CONTAINED THEREIN MAY BE USED BY OR DISCLOSED TO ANY THIRD PARTY WITHOUT PRIOR WRITTEN CONSENT OF COMPAL COMMUNICATIONS, INC.

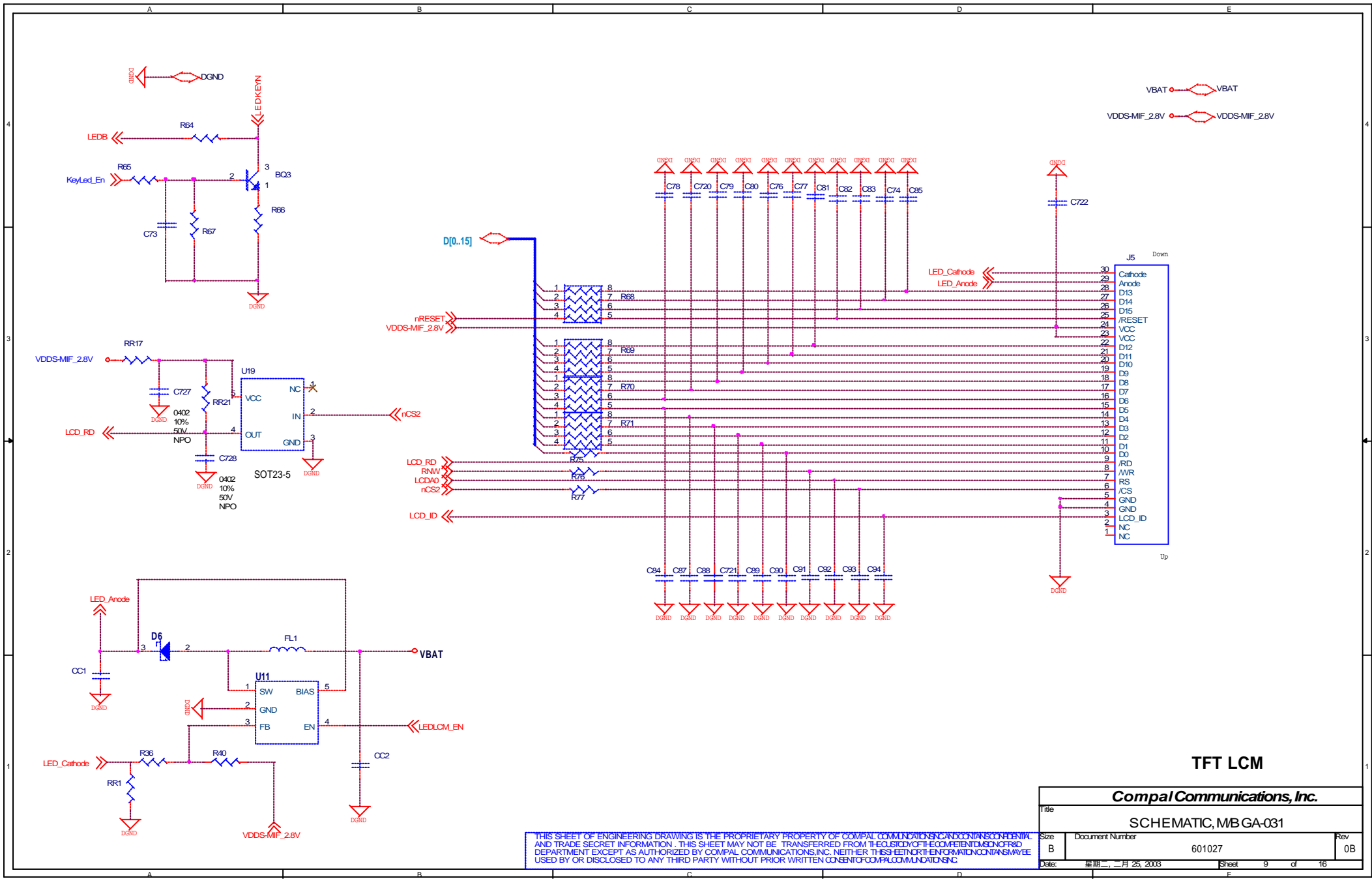


Acoustic

<b>Compal Communications, Inc.</b>		
Title SCHEMATIC, MB GA-031		
Size B	Document Number 601027	Rev 0B
Date 星期二, 二月 25, 2008	Sheet 8	of 16

THIS SHEET OF ENGINEERING DRAWING IS THE PROPRIETARY PROPERTY OF COMPAL COMMUNICATIONS, INC. AND CONTAINS CONFIDENTIAL AND TRADE SECRET INFORMATION. THIS SHEET MAY NOT BE TRANSFERRED FROM THE CUSTODY OF THE COMPANY TO ANY OTHER DEPARTMENT EXCEPT AS AUTHORIZED BY COMPAL COMMUNICATIONS, INC. NEITHER THIS SHEET NOR THE INFORMATION CONTAINED THEREIN MAY BE USED BY OR DISCLOSED TO ANY THIRD PARTY WITHOUT PRIOR WRITTEN CONSENT OF COMPAL COMMUNICATIONS, INC.



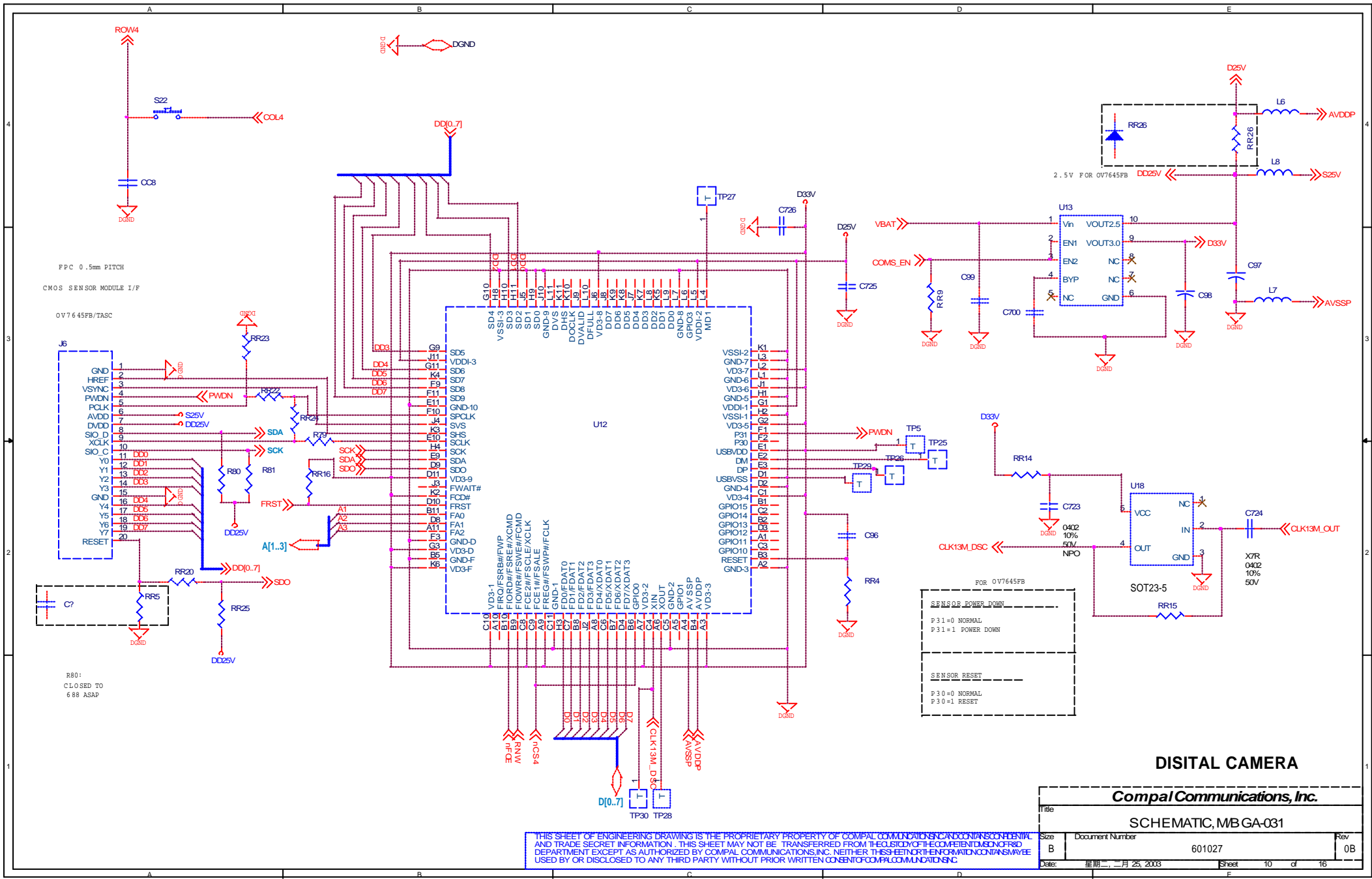


TFT LCM

Compal Communications, Inc.

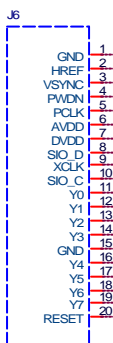
Title		
SCHEMATIC, MBGA-031		
Size	Document Number	Rev
B	601027	0B
Date:	星期二, 二月 25, 2003	Sheet 9 of 16

THIS SHEET OF ENGINEERING DRAWING IS THE PROPRIETARY PROPERTY OF COMPAL COMMUNICATIONS CORPORATION AND TRADE SECRET INFORMATION. THIS SHEET MAY NOT BE TRANSFERRED FROM THE custody OF THE COMPANY OR DEPARTMENT EXCEPT AS AUTHORIZED BY COMPAL COMMUNICATIONS, INC. NEITHER THIS SHEET NOR THE INFORMATION CONTAINED HEREIN MAY BE USED BY OR DISCLOSED TO ANY THIRD PARTY WITHOUT PRIOR WRITTEN CONSENT OF COMPAL COMMUNICATIONS, INC.

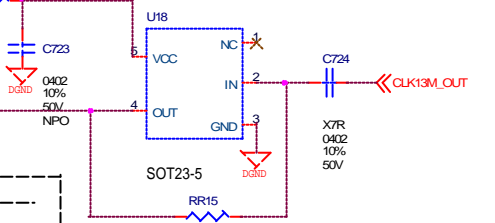
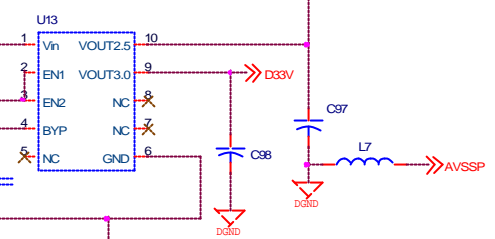
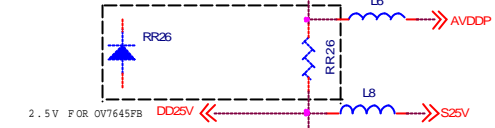


THIS SHEET OF ENGINEERING DRAWING IS THE PROPRIETARY PROPERTY OF COMPAL COMMUNICATIONS, INC. AND IS UNCLASSIFIED AND TRADE SECRET INFORMATION. THIS SHEET MAY NOT BE TRANSFERRED FROM THE SOURCE OF THE INFORMATION TO ANY OTHER PERSON OR ENTITY WITHOUT THE WRITTEN PERMISSION OF COMPAL COMMUNICATIONS, INC. NEITHER THE CONTENTS OF THIS DRAWING NOR THE INFORMATION CONTAINED HEREIN SHALL BE DISCLOSED TO ANY THIRD PARTY WITHOUT PRIOR WRITTEN CONSENT OF COMPAL COMMUNICATIONS, INC.

FPC 0.5mm PITCH  
CMOS SENSOR MODULE I/F  
OV7645FB/TASC

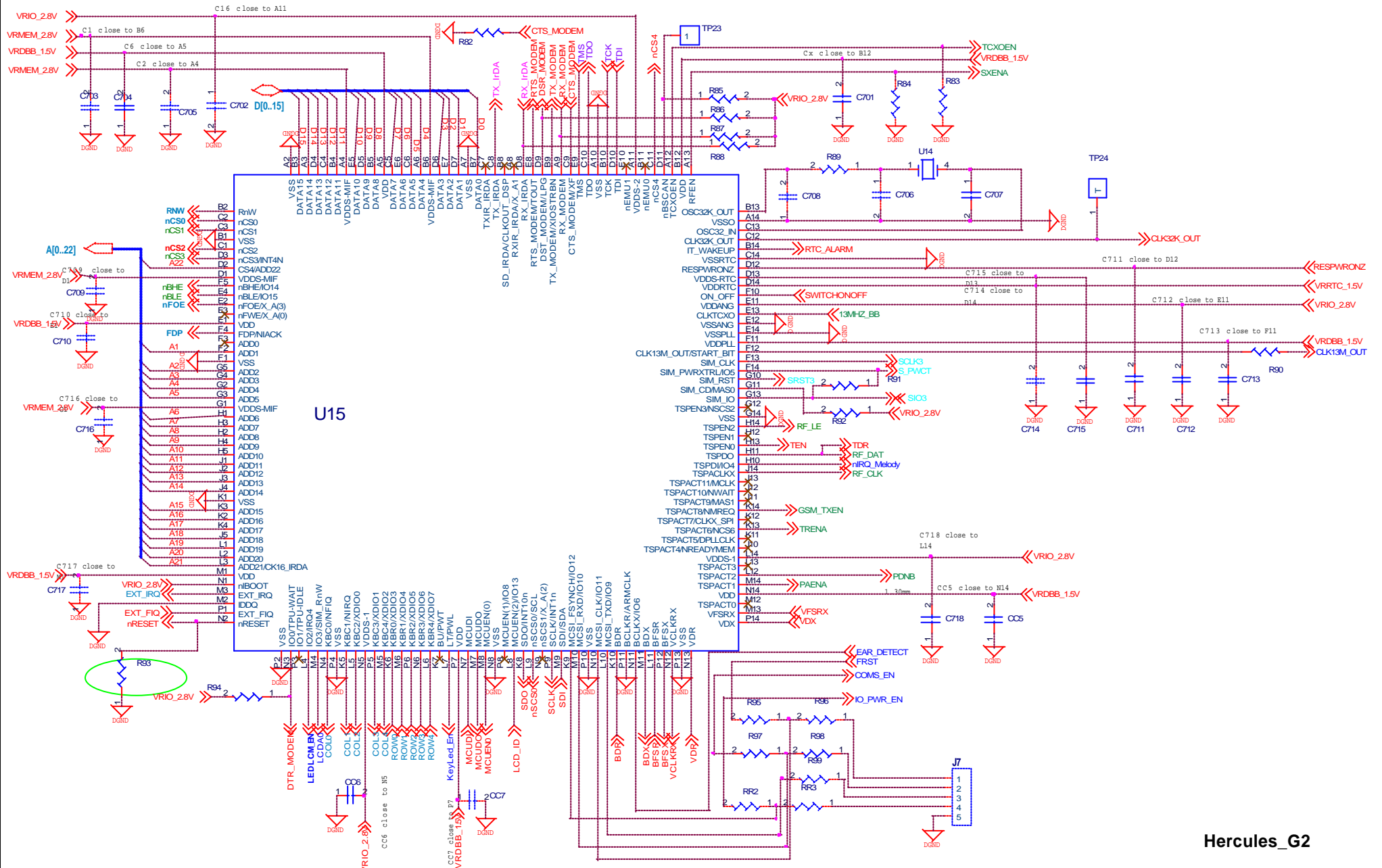


R80:  
CLOSED TO  
688 ASAP



**DIGITAL CAMERA**

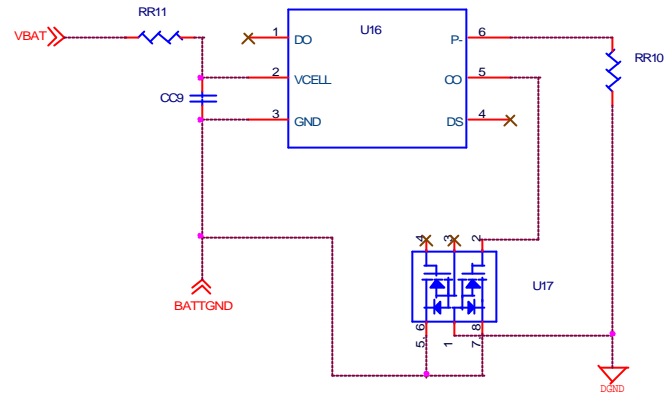
Compal Communications, Inc.		
SCHEMATIC, MBGA-031		
Size	Document Number	Rev
B	601027	0B
Date:	星期二, 二月 25, 2003	Sheet 10 of 16



Hercules\_G2

<b>Compal Communications, Inc.</b>			
Title SCHEMATIC, MB GA-031			
Size	Document Number	601027	Rev
Custom			0B
Date:	星期二, 二月 25, 2003	Sheet	11 of 16

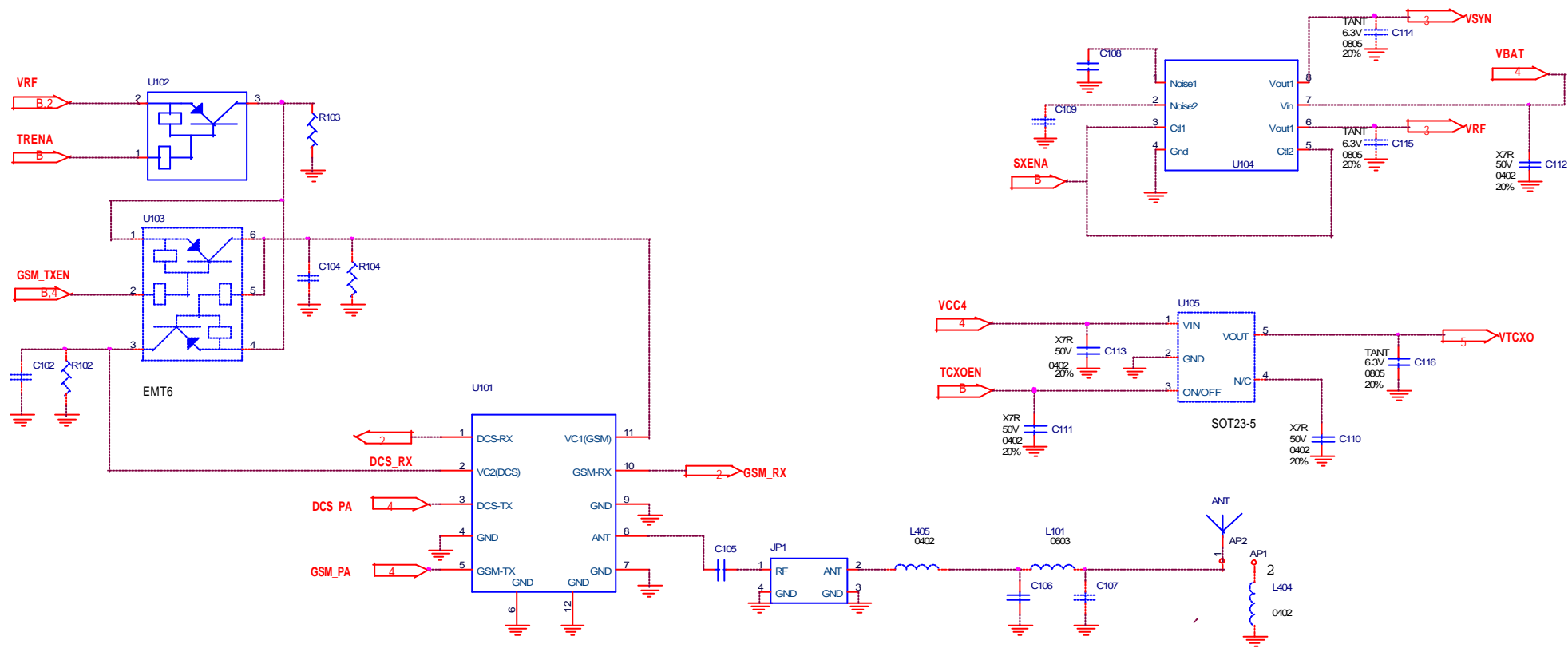
THIS SHEET OF ENGINEERING DRAWING IS THE PROPRIETARY PROPERTY OF COMPAL COMMUNICATIONS, INC. AND TRADE SECRET INFORMATION. THIS SHEET MAY NOT BE TRANSFERRED FROM THE COUNTRY OF THE ECONOMIC DEVELOPMENT DEPARTMENT EXCEPT AS AUTHORIZED BY COMPAL COMMUNICATIONS, INC. NEITHER THIS SHEET NOR THE INFORMATION CONTAINED HEREIN IS TO BE DISCLOSED TO ANY THIRD PARTY WITHOUT PRIOR WRITTEN CONSENT OF COMPAL COMMUNICATIONS, INC.



OVP

<b>Compal Communications, Inc.</b>		
Title SCHEMATIC, MBGA-031		
Size B	Document Number 601027	Rev 0B
Date: 星期二, 二月 25, 2003	Sheet 12	of 16

THIS SHEET OF ENGINEERING DRAWINGS IS THE PROPRIETARY PROPERTY OF COMPAL COMMUNICATIONS CORPORATION AND IS CONFIDENTIAL AND TRADE SECRET INFORMATION. THIS SHEET MAY NOT BE TRANSFERRED FROM THE custody OF THE COMPANY TO ANY OTHER DEPARTMENT EXCEPT AS AUTHORIZED BY COMPAL COMMUNICATIONS, INC. NEITHER THIS SHEET NOR THE INFORMATION CONTAINED THEREIN MAY BE USED BY OR DISCLOSED TO ANY THIRD PARTY WITHOUT PRIOR WRITTEN CONSENT OF COMPAL COMMUNICATIONS, INC.

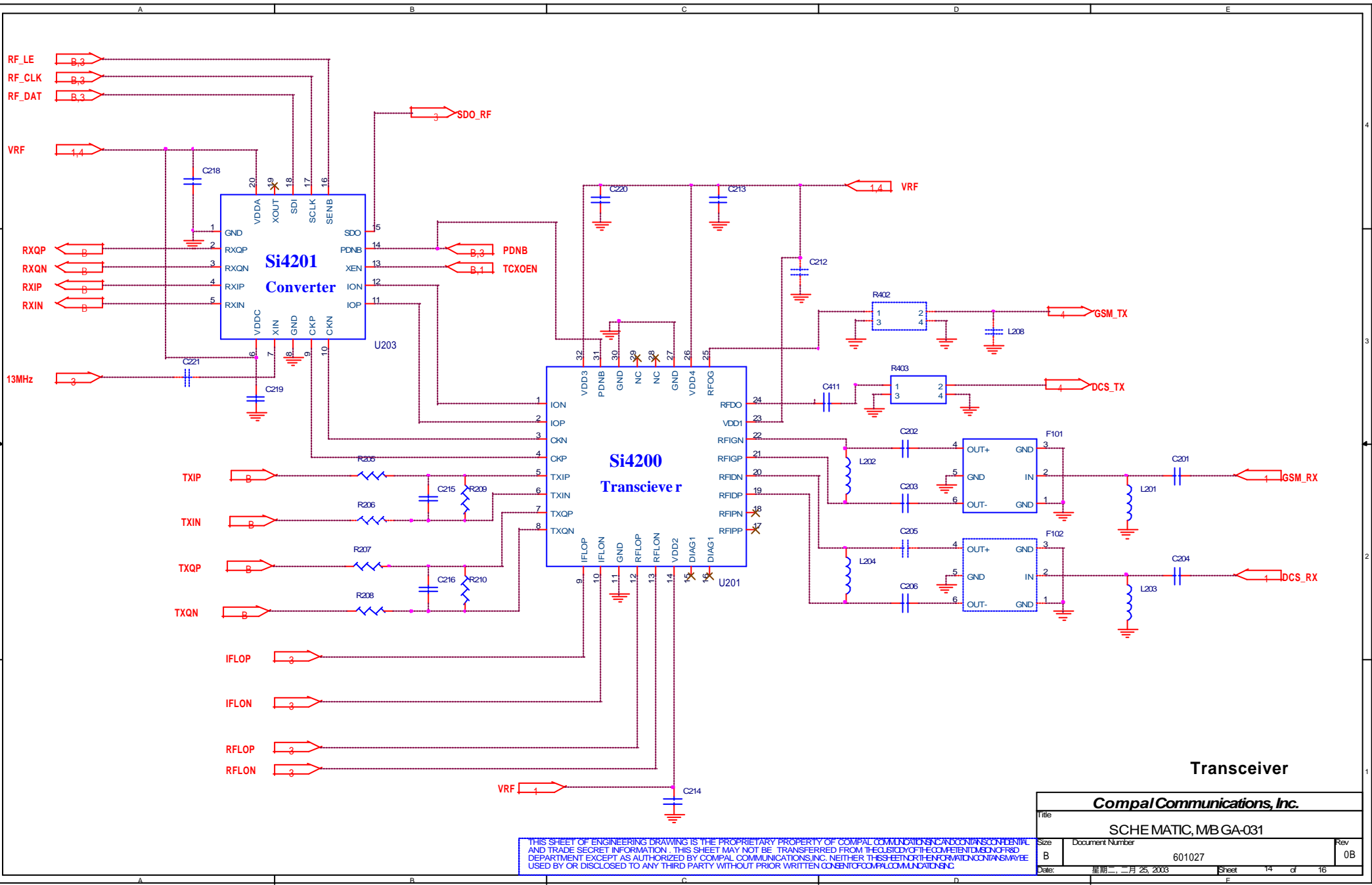


T/R SW & LDO

**Compal Communications, Inc.**

Title		
SCHEMATIC, MB GA-031		
Size	Document Number	Rev
B	601027	0B
Date:	星期二, 二月 25, 2003	Sheet 13 of 16

THIS SHEET OF ENGINEERING DRAWING IS THE PROPRIETARY PROPERTY OF COMPAL COMMUNICATIONS, INC. AND IS CONFIDENTIAL AND TRADE SECRET INFORMATION. THIS SHEET MAY NOT BE TRANSFERRED FROM THE custody OF THE COMPANY OR FROM THE DEPARTMENT EXCEPT AS AUTHORIZED BY COMPAL COMMUNICATIONS, INC. NEITHER THIS SHEET NOR THE INFORMATION CONTAINED HEREIN MAY BE USED BY OR DISCLOSED TO ANY THIRD PARTY WITHOUT PRIOR WRITTEN CONSENT OF COMPAL COMMUNICATIONS, INC.

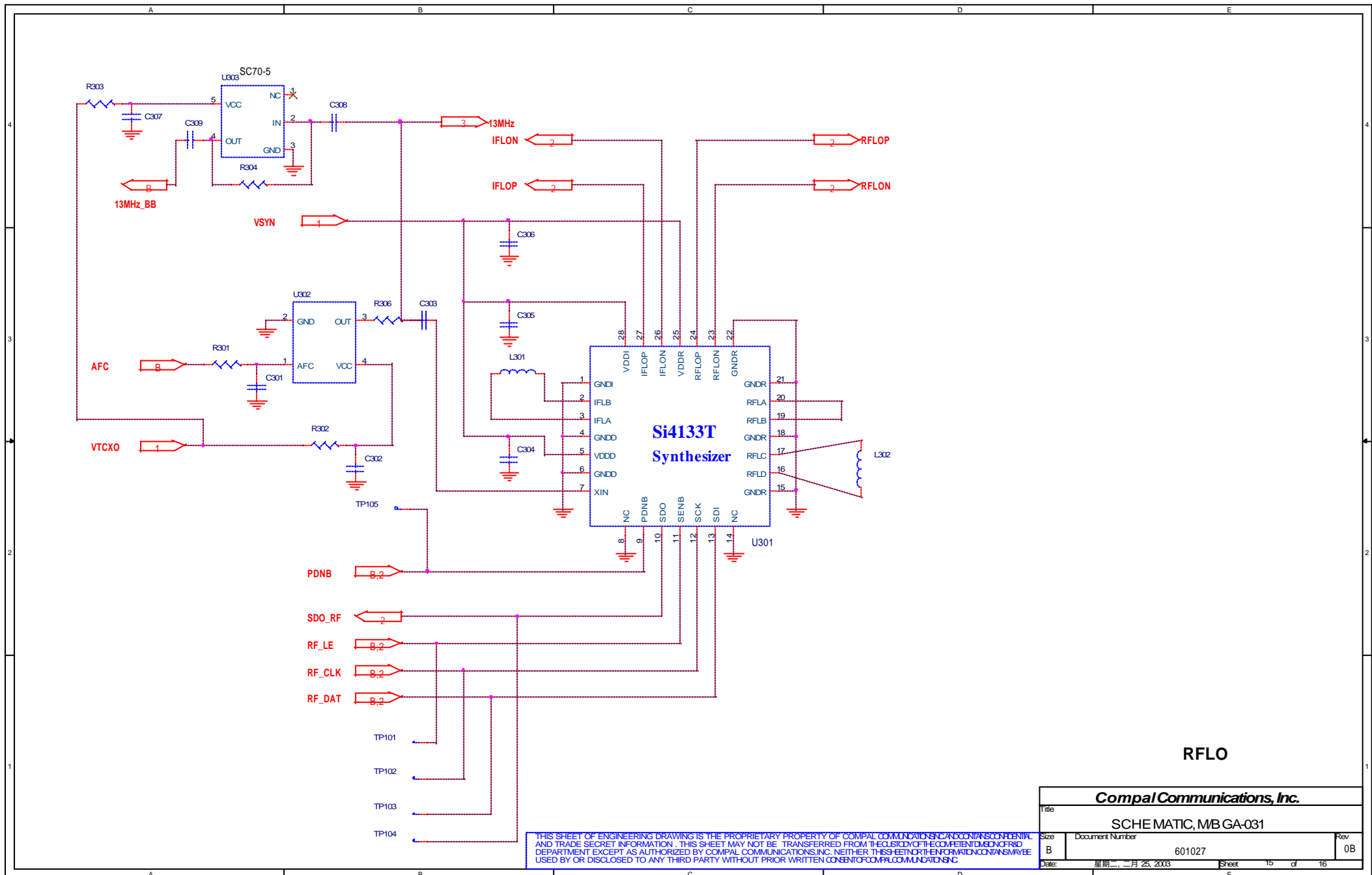


**Transceiver**

**Compal Communications, Inc.**

Title		
SCHEMATIC, MB GA-031		
Size	Document Number	Rev
B	601027	0B
Date:	星期二, 二月 25, 2003	Sheet 14 of 16

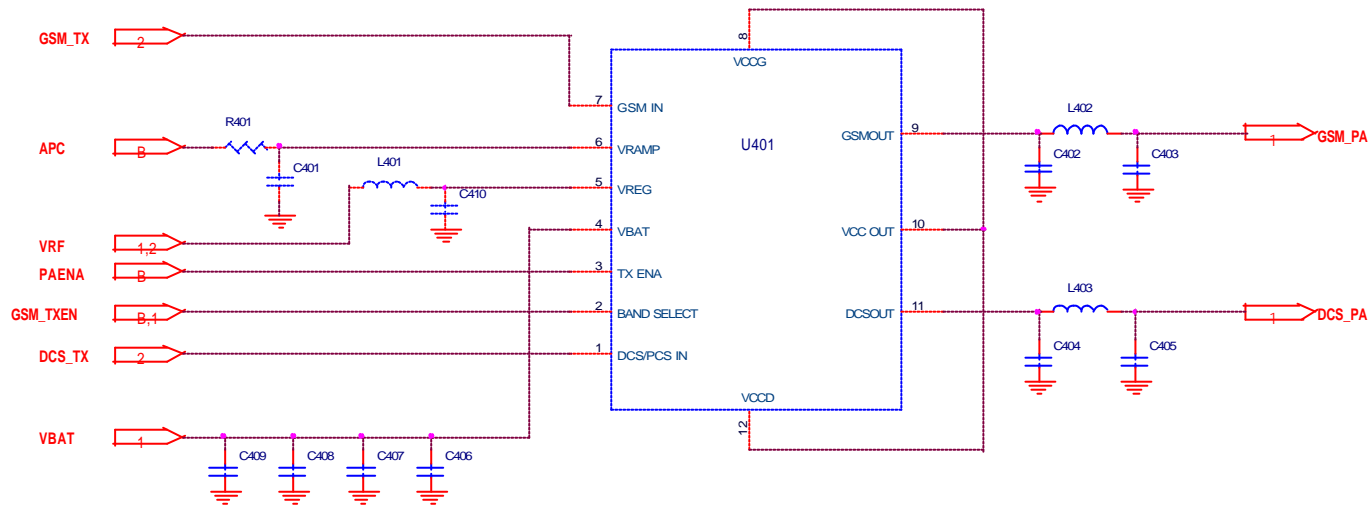
THIS SHEET OF ENGINEERING DRAWING IS THE PROPRIETARY PROPERTY OF COMPAL COMMUNICATIONS CORPORATION AND IS CONFIDENTIAL AND TRADE SECRET INFORMATION. THIS SHEET MAY NOT BE TRANSFERRED FROM THE ORIGINAL OR REPRODUCED IN ANY MANNER WITHOUT THE WRITTEN PERMISSION OF COMPAL COMMUNICATIONS CORPORATION. ANY UNAUTHORIZED REPRODUCTION OR DISCLOSURE TO ANY THIRD PARTY WITHOUT PRIOR WRITTEN CONSENT OF COMPAL COMMUNICATIONS CORPORATION IS STRICTLY PROHIBITED.



**RFLO**

<b>Compal Communications, Inc.</b>		
Title <b>SCHEMATIC, MB GA-031</b>		
Size B	Document Number 601027	Rev 0B
Date: 星期二, 二月 25, 2003	Sheet 15	of 16

THIS SHEET OF ENGINEERING DRAWING IS THE PROPRIETARY PROPERTY OF COMPAL COMMUNICATIONS AND CONTAINS CONFIDENTIAL AND TRADE SECRET INFORMATION. THIS SHEET MAY NOT BE TRANSFERRED FROM THE custody OF THE COMPANY OR DISCLOSED OR USED BY OR DISCLOSED TO ANY THIRD PARTY WITHOUT PRIOR WRITTEN CONSENT OF COMPAL COMMUNICATIONS, INC.



PA Module

<b>Compal Communications, Inc.</b>		
Title		
SCHEMATIC, MBGA-031		
Size	Document Number	Rev
B	601027	0B
Date:	星期二, 二月 25, 2003	Sheet 15 of 16

THIS SHEET OF ENGINEERING DRAWINGS IS THE PROPRIETARY PROPERTY OF COMPAL COMMUNICATIONS CORPORATION AND IS CONFIDENTIAL AND TRADE SECRET INFORMATION. THIS SHEET MAY NOT BE TRANSFERRED FROM THE custody OF THE COMPANY OR DISCLOSED OR REPRODUCED IN ANY MANNER WITHOUT THE WRITTEN CONSENT OF COMPAL COMMUNICATIONS CORPORATION. NEITHER THIS SHEET NOR ITS CONTENTS SHALL BE USED BY OR DISCLOSED TO ANY THIRD PARTY WITHOUT PRIOR WRITTEN CONSENT OF COMPAL COMMUNICATIONS CORPORATION.