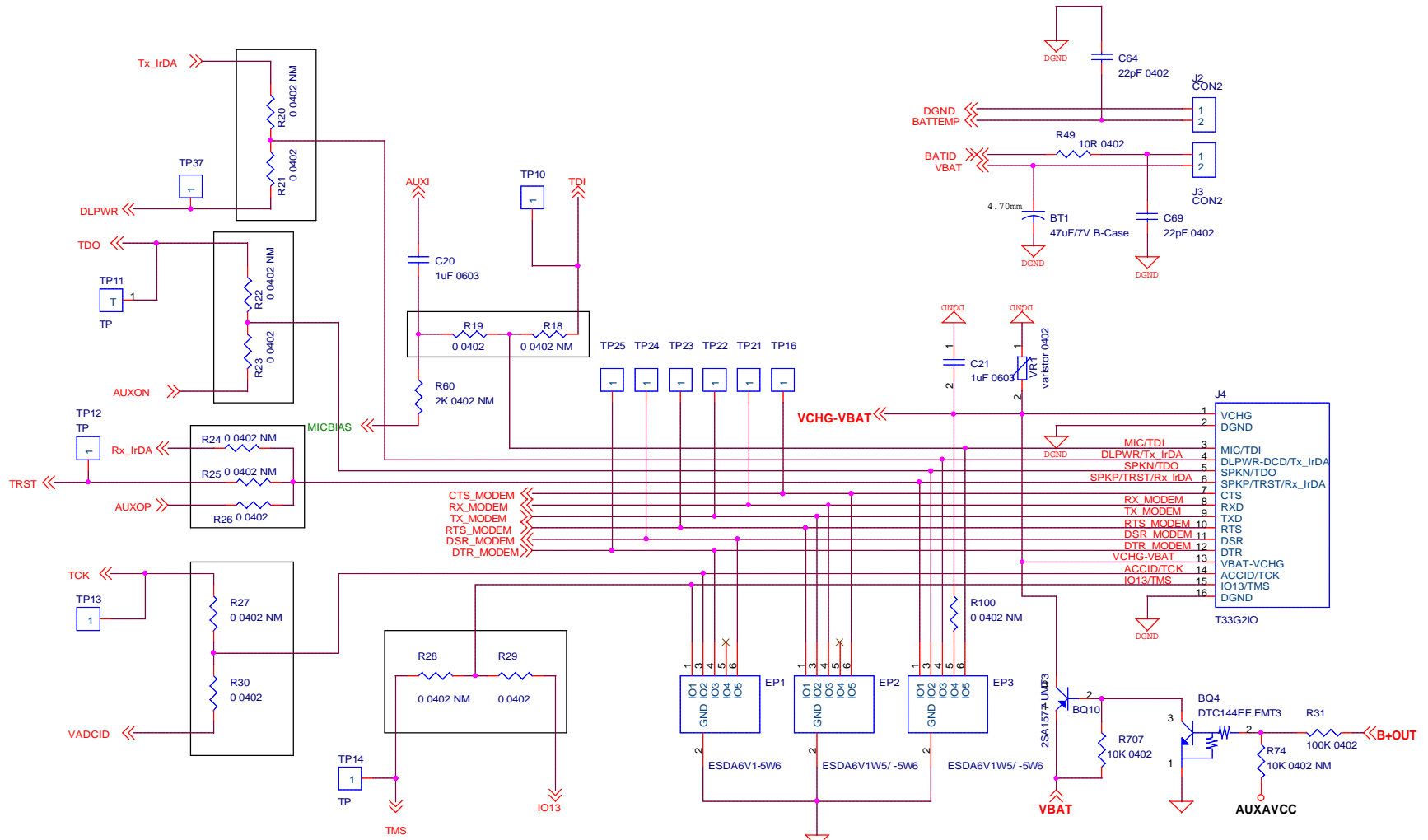


Hercules_G2

Compal Communications, Inc.

Title		
SCHEMATIC, M/B GA-007		
Size	Document Number	Rev
B	601007	0L
Date:	Wednesday, March 20, 2002	Sheet 2 of 16

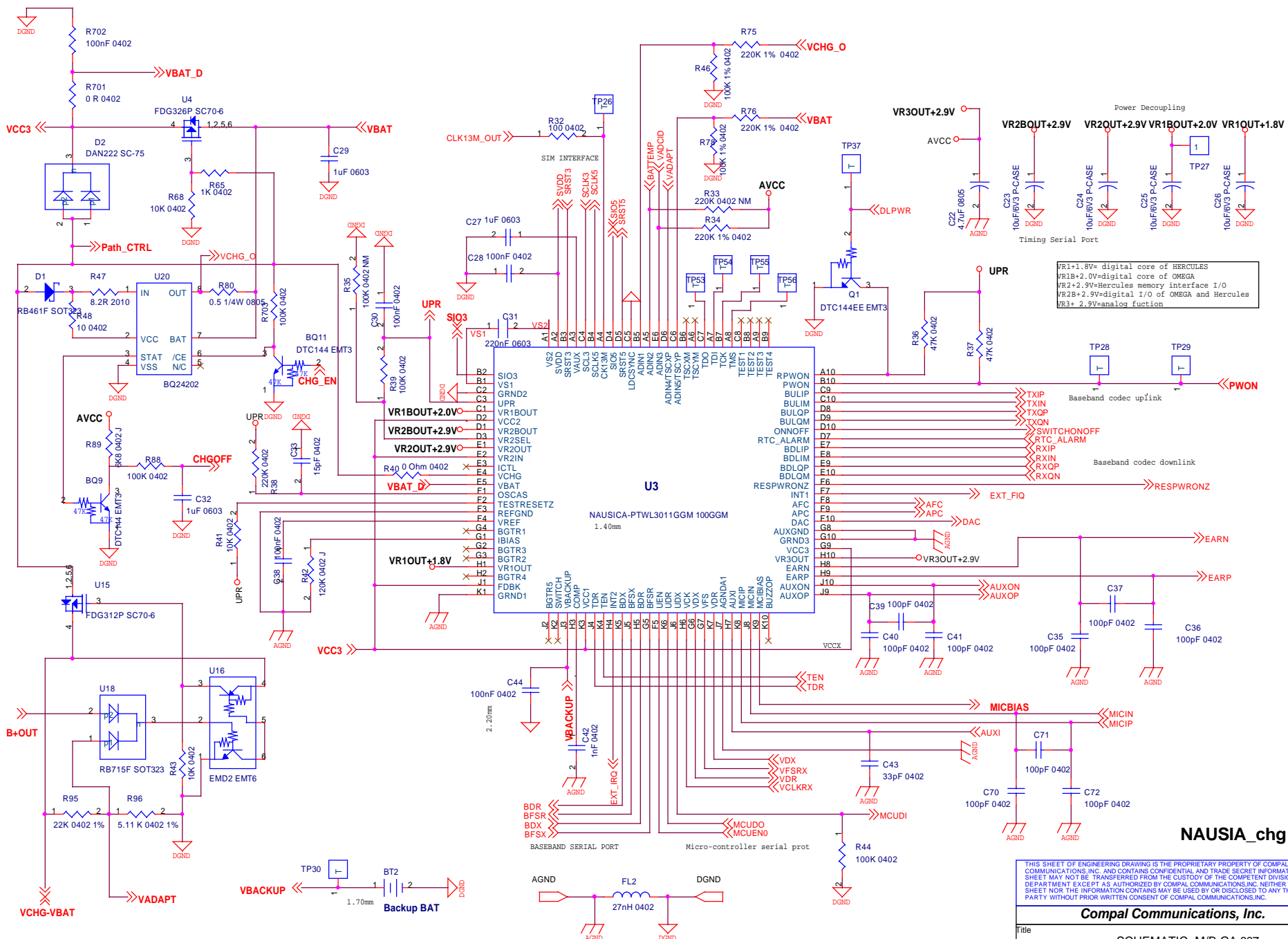
THIS SHEET OF ENGINEERING DRAWING IS THE PROPRIETARY PROPERTY OF COMPAL COMMUNICATIONS, INC. AND CONTAINS CONFIDENTIAL AND TRADE SECRET INFORMATION. THIS SHEET MAY NOT BE TRANSFERRED FROM THE CUSTODY OF THE COMPETENT DIVISION OF R&D DEPARTMENT EXCEPT AS AUTHORIZED BY COMPAL COMMUNICATIONS, INC. NEITHER THIS SHEET NOR THE INFORMATION CONTAINED THEREIN MAY BE USED BY OR DISCLOSED TO ANY THIRD PARTY WITHOUT PRIOR WRITTEN CONSENT OF COMPAL COMMUNICATIONS, INC.



IO_CONNECTOR

Compal Communications, Inc.		
Title: SCHEMATIC, M/B GA-007		
Size: B	Document Number: 601007	Rev: 0L
Date: Wednesday, March 20, 2002	Sheet 3 of 16	

THIS SHEET OF ENGINEERING DRAWING IS THE PROPRIETARY PROPERTY OF COMPAL COMMUNICATIONS, INC. AND CONTAINS CONFIDENTIAL AND TRADE SECRET INFORMATION. THIS SHEET MAY NOT BE TRANSFERRED FROM THE CUSTODY OF THE COMPETENT DIVISION OF R&D DEPARTMENT EXCEPT AS AUTHORIZED BY COMPAL COMMUNICATIONS, INC. NEITHER THIS SHEET NOR THE INFORMATION CONTAINED MAY BE USED BY OR DISCLOSED TO ANY THIRD PARTY WITHOUT PRIOR WRITTEN CONSENT OF COMPAL COMMUNICATIONS, INC.



VR1+1.8V=digital core of HERCULES
 VR1B+2.0V=digital core of OMEGA
 VR2+2.9V=Hercules memory interface I/O
 VR2B+2.9V=digital I/O of OMEGA and Hercules
 VR3+ 2.9V=analog function

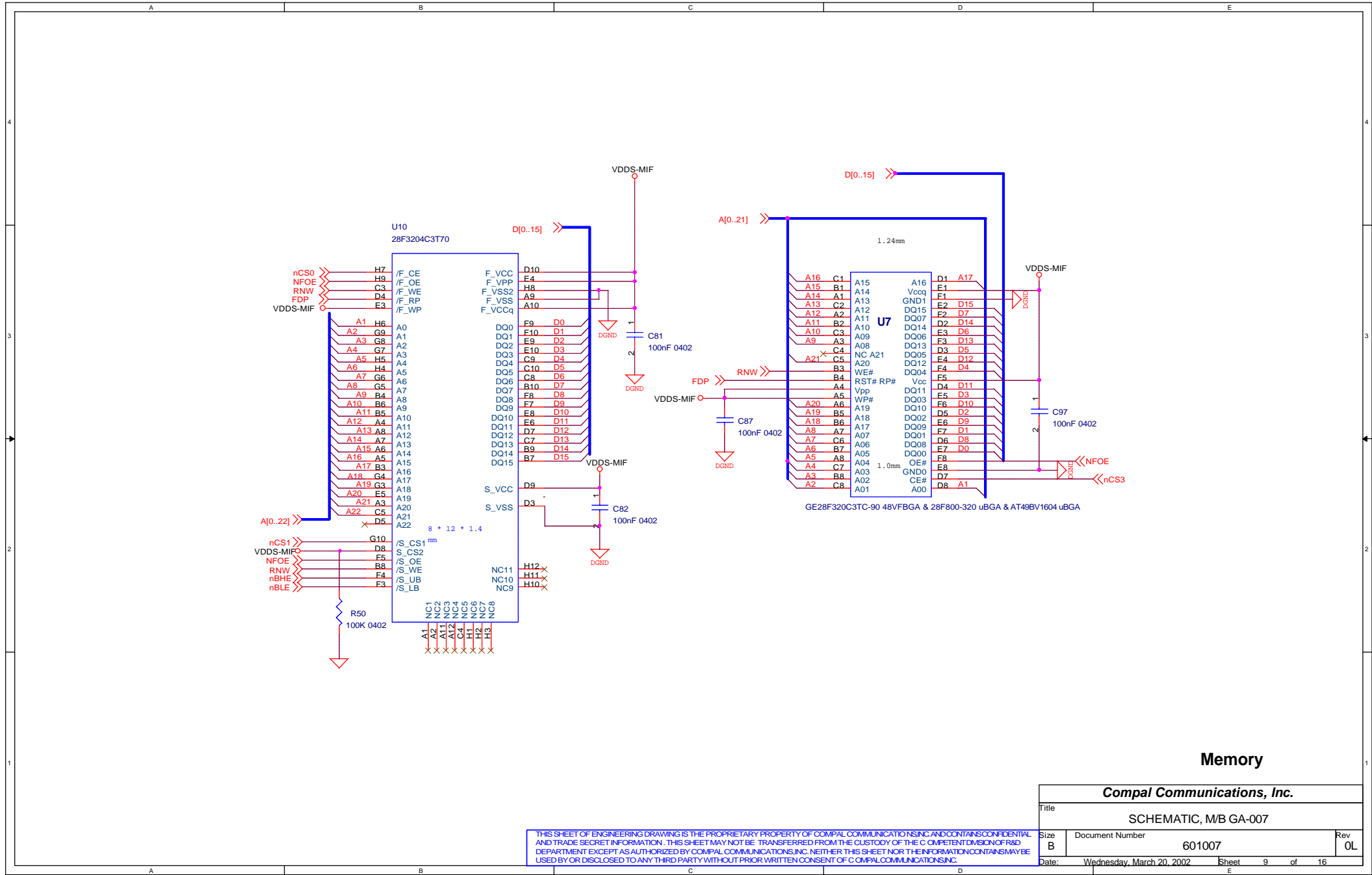
Baseband codec uplink
 TXIP, TXIN, TXOP, TXQN
 Baseband codec downlink
 RXIP, RXIN, RXOP, RXQN

NAUSIA_chg

THIS SHEET OF ENGINEERING DRAWING IS THE PROPRIETARY PROPERTY OF COMPAL COMMUNICATIONS, INC. AND CONTAINS CONFIDENTIAL AND TRADE SECRET INFORMATION. THIS SHEET MAY NOT BE TRANSFERRED FROM THE CUSTODY OF THE COMPETENT DIVISION OF R&D DEPARTMENT EXCEPT AS AUTHORIZED BY COMPAL COMMUNICATIONS, INC. NEITHER THIS SHEET NOR THE INFORMATION CONTAINS MAY BE USED BY OR DISCLOSED TO ANY THIRD PARTY WITHOUT PRIOR WRITTEN CONSENT OF COMPAL COMMUNICATIONS, INC.

Compal Communications, Inc.

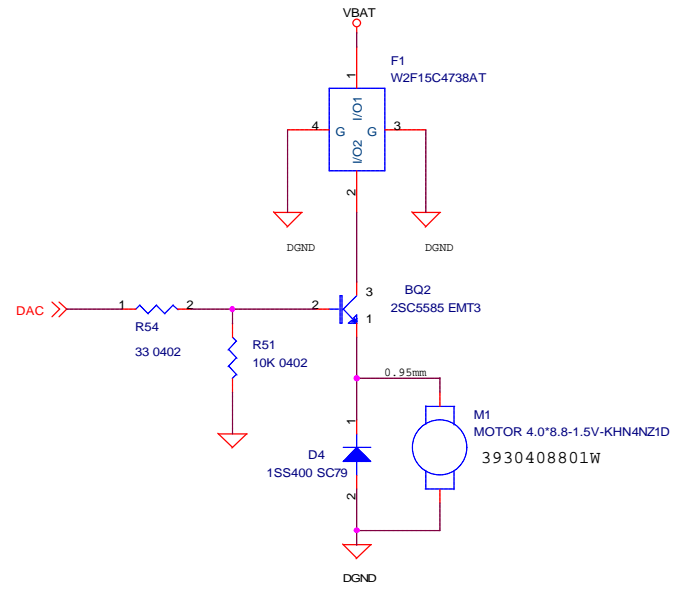
Title			SCHEMATIC, M/B GA-007		
Size	Document Number	601007		Rev	0L
Custom	Date:	Wednesday, March 20, 2002	Sheet	4	of 16



Memory

Compal Communications, Inc.		
Title		
SCHEMATIC, M/B GA-007		
Size	Document Number	Rev
B	601007	0L
Date:	Wednesday, March 20, 2002	Sheet 9 of 16

THIS SHEET OF ENGINEERING DRAWING IS THE PROPRIETARY PROPERTY OF COMPAL COMMUNICATIONS, INC. AND CONTAINS CONFIDENTIAL AND TRADE SECRET INFORMATION. THIS SHEET MAY NOT BE TRANSFERRED FROM THE CUSTODY OF THE COMPETENT DIVISION OF R&D DEPARTMENT EXCEPT AS AUTHORIZED BY COMPAL COMMUNICATIONS, INC. NEITHER THIS SHEET NOR THE INFORMATION CONTAINED THEREIN MAY BE USED BY OR DISCLOSED TO ANY THIRD PARTY WITHOUT PRIOR WRITTEN CONSENT OF COMPAL COMMUNICATIONS, INC.

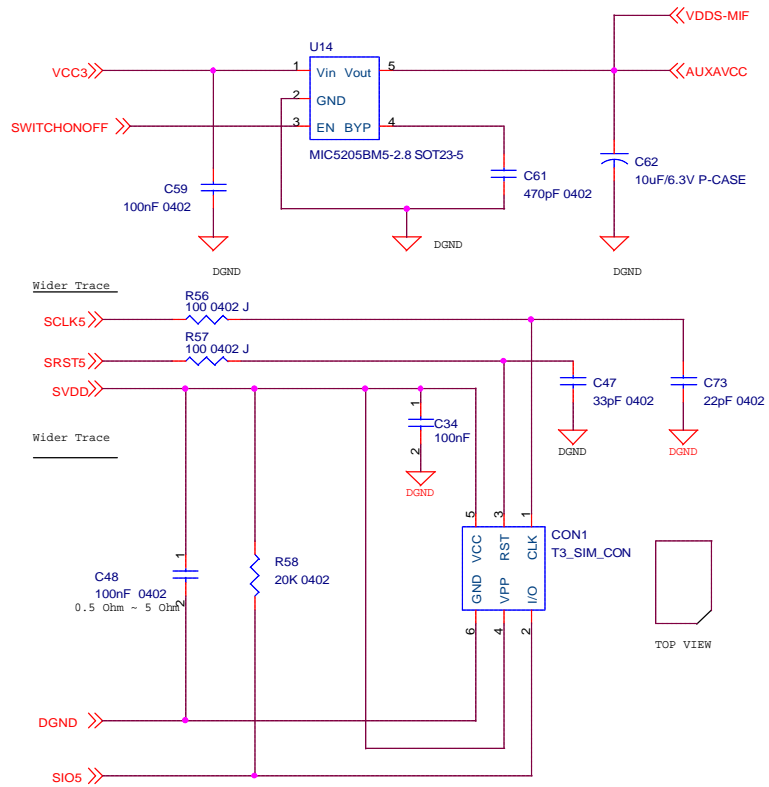


Vibrator

Compal Communications, Inc.

Title		
SCHEMATIC, M/B GA-007		
Size	Document Number	Rev
B	601007	0L
Date:	Wednesday, March 20, 2002	Sheet 5 of 16

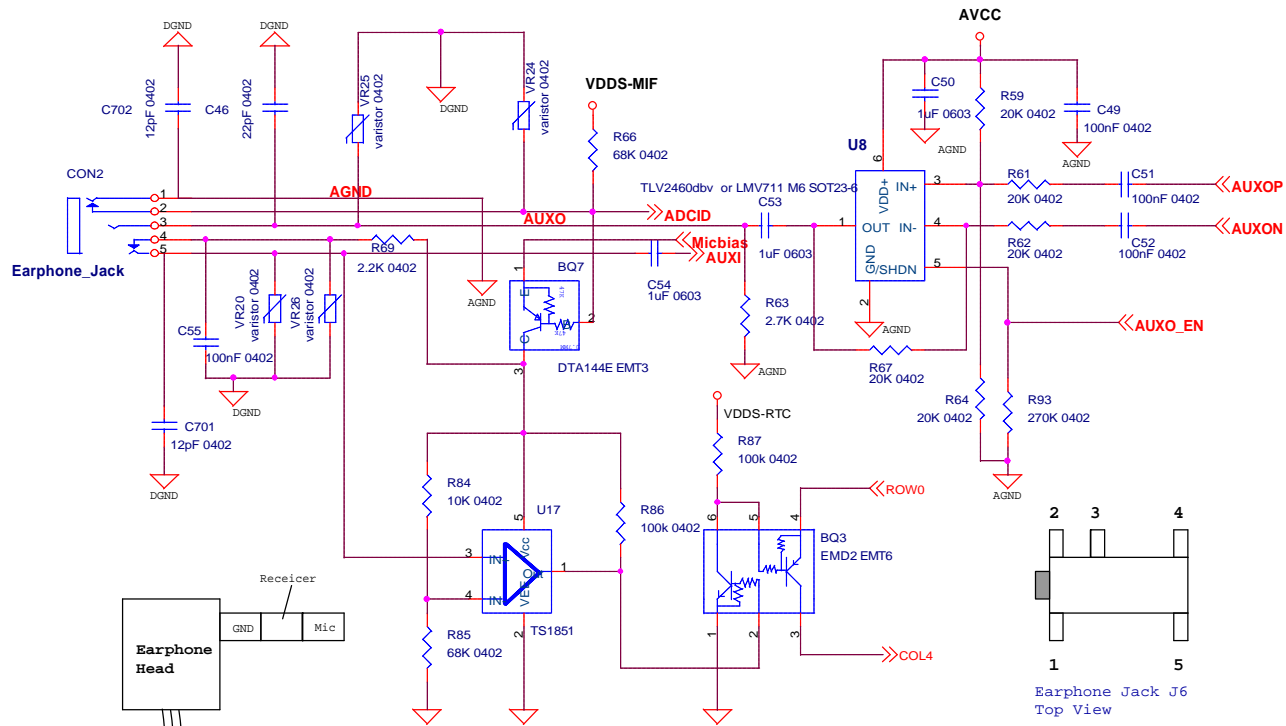
THIS SHEET OF ENGINEERING DRAWING IS THE PROPRIETARY PROPERTY OF COMPAL COMMUNICATIONS, INC. AND CONTAINS CONFIDENTIAL AND TRADE SECRET INFORMATION. THIS SHEET MAY NOT BE TRANSFERRED FROM THE CUSTODY OF THE COMPETENT DIVISION OF R&D DEPARTMENT EXCEPT AS AUTHORIZED BY COMPAL COMMUNICATIONS, INC. NEITHER THIS SHEET NOR THE INFORMATION CONTAINED THEREIN MAY BE USED BY OR DISCLOSED TO ANY THIRD PARTY WITHOUT PRIOR WRITTEN CONSENT OF COMPAL COMMUNICATIONS, INC.



SIM

Compal Communications, Inc.		
Title		
SCHEMATIC, M/B GA-007		
Size	Document Number	Rev
B	601007	0L
Date:	Wednesday, March 20, 2002	Sheet 6 of 16

THIS SHEET OF ENGINEERING DRAWING IS THE PROPRIETARY PROPERTY OF COMPAL COMMUNICATIONS, INC. AND CONTAINS CONFIDENTIAL AND TRADE SECRET INFORMATION. THIS SHEET MAY NOT BE TRANSFERRED FROM THE CUSTODY OF THE COMPETENT DIVISION OF R&D DEPARTMENT EXCEPT AS AUTHORIZED BY COMPAL COMMUNICATIONS, INC. NEITHER THIS SHEET NOR THE INFORMATION CONTAINED THEREIN MAY BE USED BY OR DISCLOSED TO ANY THIRD PARTY WITHOUT PRIOR WRITTEN CONSENT OF COMPAL COMMUNICATIONS, INC.



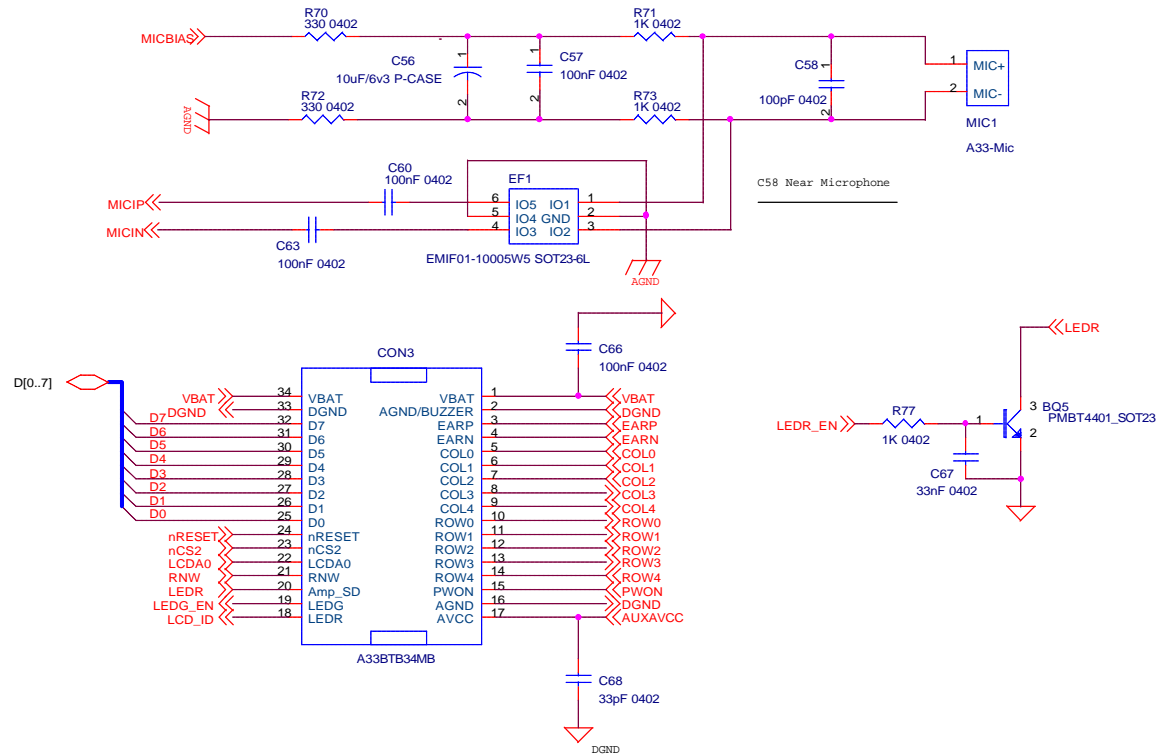
Situation: Terminal 1 & 2 ,
Terminal 4 & 5 are short,
ADCID change to low level when
earphone head insert to the
phone jack.

Earphone

Compal Communications, Inc.

Title			SCHEMATIC, M/B GA-007		
Size	Document Number				Rev
B	601007				OL
Date:	Wednesday, March 20, 2002	Sheet	7	of	16

THIS SHEET OF ENGINEERING DRAWING IS THE PROPRIETARY PROPERTY OF COMPAL COMMUNICATIONS, INC. AND CONTAINS CONFIDENTIAL AND TRADE SECRET INFORMATION. THIS SHEET MAY NOT BE TRANSFERRED FROM THE CUSTODY OF THE COMPETENT DIVISION OF R&D DEPARTMENT EXCEPT AS AUTHORIZED BY COMPAL COMMUNICATIONS, INC. NEITHER THIS SHEET NOR THE INFORMATION CONTAINED THEREIN MAY BE USED BY OR DISCLOSED TO ANY THIRD PARTY WITHOUT PRIOR WRITTEN CONSENT OF COMPAL COMMUNICATIONS, INC.

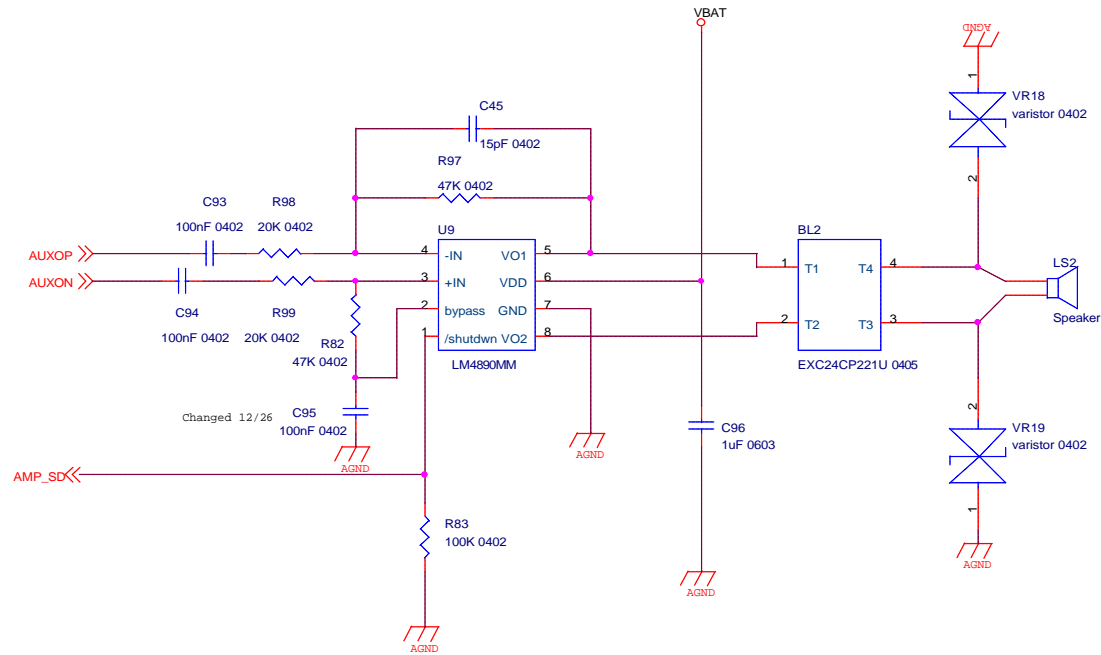


MB_BT B

Compal Communications, Inc.

Title		
SCHEMATIC, M/B GA-007		
Size	Document Number	Rev
B	601007	0L
Date:	Wednesday, March 20, 2002	Sheet 8 of 16

THIS SHEET OF ENGINEERING DRAWING IS THE PROPRIETARY PROPERTY OF COMPAL COMMUNICATIONS, INC. AND CONTAINS CONFIDENTIAL AND TRADE SECRET INFORMATION. THIS SHEET MAY NOT BE TRANSFERRED FROM THE CUSTODY OF THE COMPETENT DIVISION OF R&D DEPARTMENT EXCEPT AS AUTHORIZED BY COMPAL COMMUNICATIONS, INC. NEITHER THIS SHEET NOR THE INFORMATION CONTAINED HEREIN MAY BE USED BY OR DISCLOSED TO ANY THIRD PARTY WITHOUT PRIOR WRITTEN CONSENT OF COMPAL COMMUNICATIONS, INC.

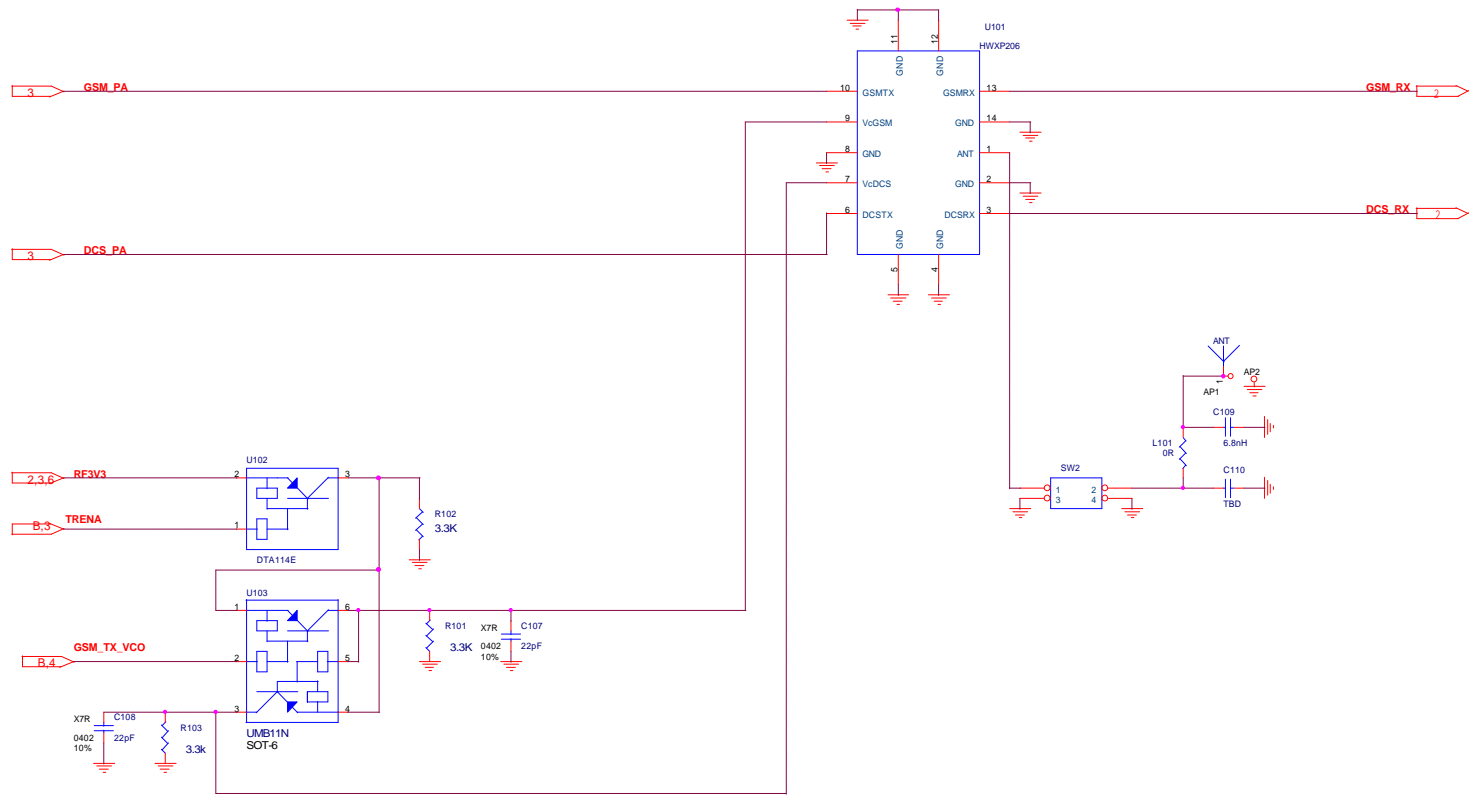


Speaker

Compal Communications, Inc.

Title		
SCHEMATIC, M/B GA-007		
Size	Document Number	Rev
B	601007	0L
Date:	Wednesday, March 20, 2002	Sheet 10 of 16

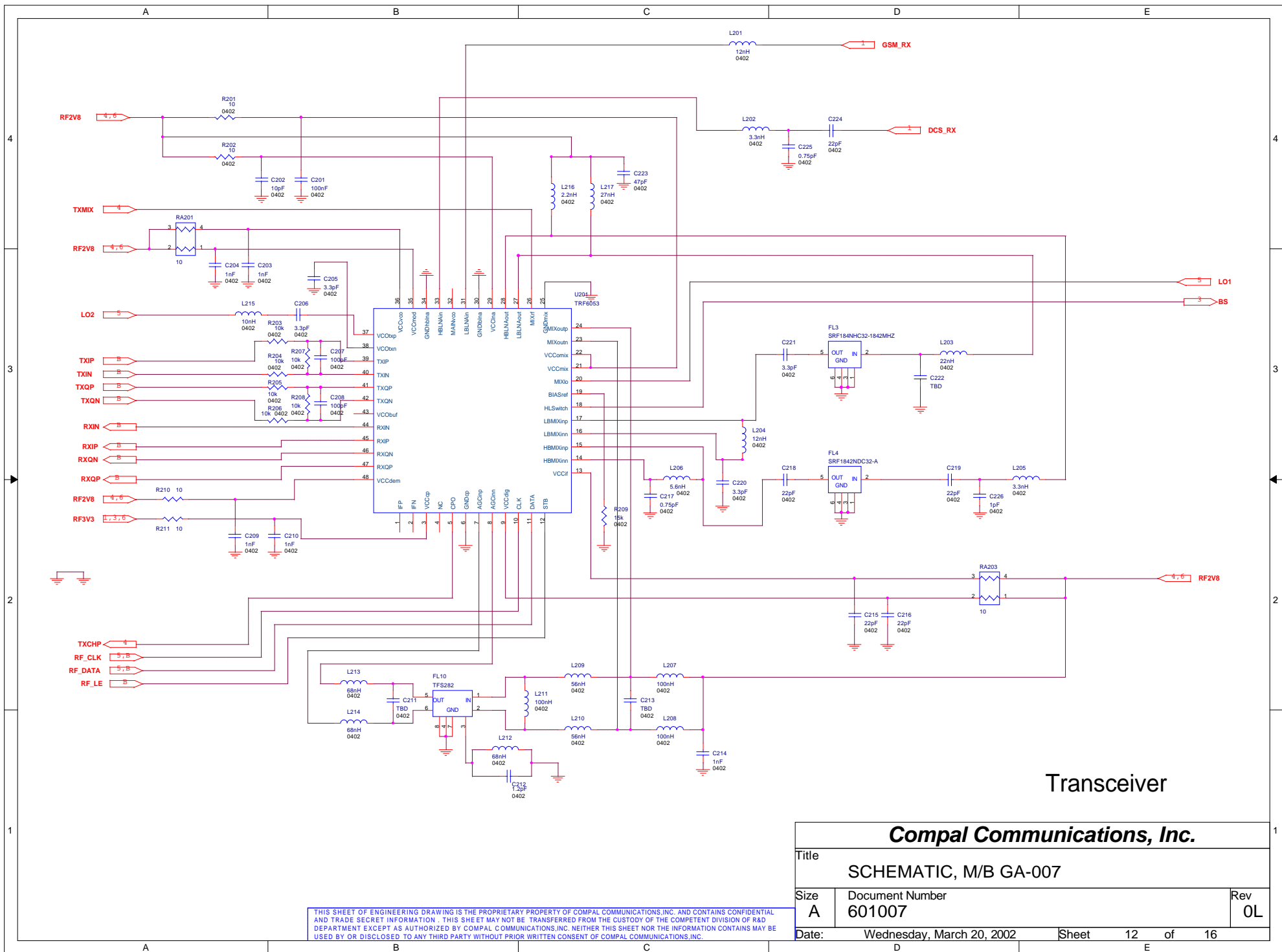
THIS SHEET OF ENGINEERING DRAWING IS THE PROPRIETARY PROPERTY OF COMPAL COMMUNICATIONS, INC. AND CONTAINS CONFIDENTIAL AND TRADE SECRET INFORMATION. THIS SHEET MAY NOT BE TRANSFERRED FROM THE CUSTODY OF THE COMPETENT DIVISION OF R&D DEPARTMENT EXCEPT AS AUTHORIZED BY COMPAL COMMUNICATIONS, INC. NEITHER THIS SHEET NOR THE INFORMATION CONTAINED THEREIN MAY BE USED BY OR DISCLOSED TO ANY THIRD PARTY WITHOUT PRIOR WRITTEN CONSENT OF COMPAL COMMUNICATIONS, INC.



T/R SW

Compal Communications, Inc.		
Title		
SCHEMATIC, M/B GA-007		
Size	Document Number	Rev
A	601007	0L
Date:	Wednesday, March 20, 2002	Sheet 11 of 16

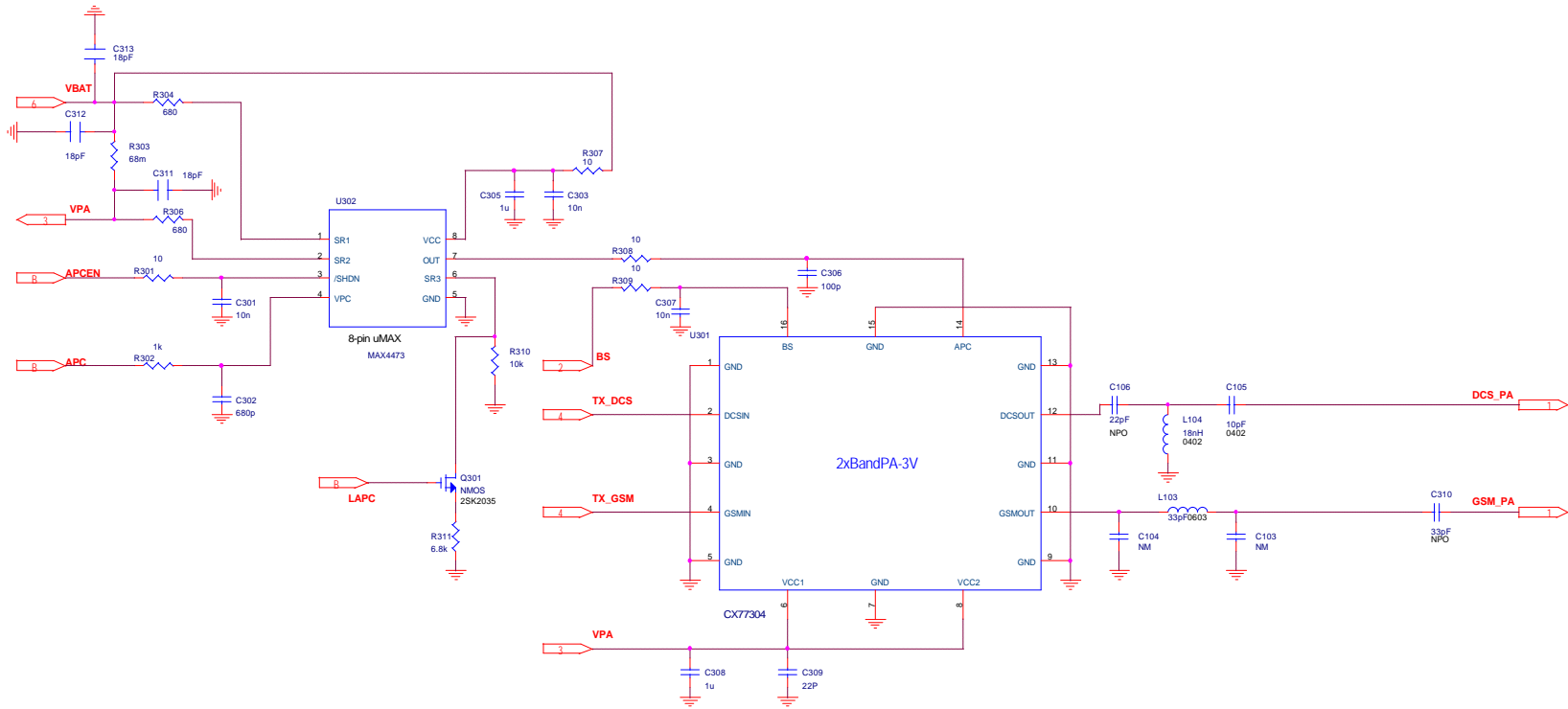
THIS SHEET OF ENGINEERING DRAWING IS THE PROPRIETARY PROPERTY OF COMPAL COMMUNICATIONS, INC. AND CONTAINS CONFIDENTIAL AND TRADE SECRET INFORMATION. THIS SHEET MAY NOT BE TRANSFERRED FROM THE CUSTODY OF THE COMPETENT DIVISION OF R&D DEPARTMENT EXCEPT AS AUTHORIZED BY COMPAL COMMUNICATIONS, INC. NEITHER THIS SHEET NOR THE INFORMATION CONTAINS MAY BE USED BY OR DISCLOSED TO ANY THIRD PARTY WITHOUT PRIOR WRITTEN CONSENT OF COMPAL COMMUNICATIONS, INC.



Transceiver

Compal Communications, Inc.		
Title		
SCHEMATIC, M/B GA-007		
Size	Document Number	Rev
A	601007	0L
Date:	Wednesday, March 20, 2002	Sheet 12 of 16

THIS SHEET OF ENGINEERING DRAWING IS THE PROPRIETARY PROPERTY OF COMPAL COMMUNICATIONS, INC. AND CONTAINS CONFIDENTIAL AND TRADE SECRET INFORMATION. THIS SHEET MAY NOT BE TRANSFERRED FROM THE CUSTODY OF THE COMPETENT DIVISION OF R&D DEPARTMENT EXCEPT AS AUTHORIZED BY COMPAL COMMUNICATIONS, INC. NEITHER THIS SHEET NOR THE INFORMATION CONTAINS MAY BE USED BY OR DISCLOSED TO ANY THIRD PARTY WITHOUT PRIOR WRITTEN CONSENT OF COMPAL COMMUNICATIONS, INC.

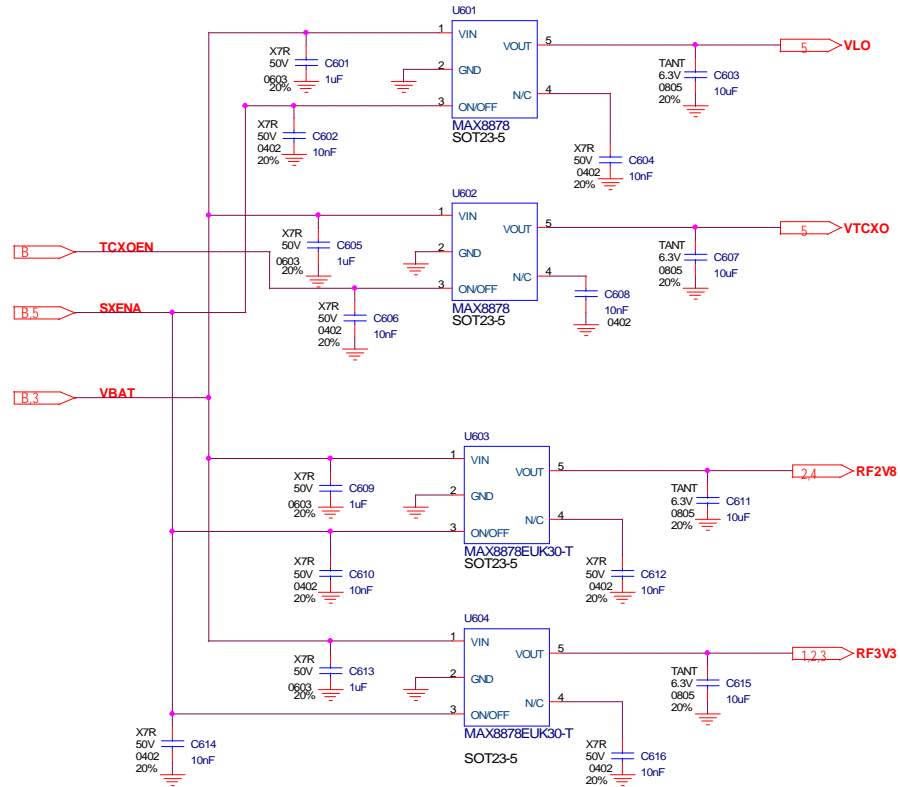


PA Module

Compal Communications, Inc.

Title		
SCHEMATIC, M/B GA-007		
Size	Document Number	Rev
A	601007	0L
Date:	Wednesday, March 20, 2002	Sheet 13 of 16

THIS SHEET OF ENGINEERING DRAWING IS THE PROPRIETARY PROPERTY OF COMPAL COMMUNICATIONS, INC. AND CONTAINS CONFIDENTIAL AND TRADE SECRET INFORMATION. THIS SHEET MAY NOT BE TRANSFERRED FROM THE CUSTODY OF THE COMPETENT DIVISION OF R&D DEPARTMENT EXCEPT AS AUTHORIZED BY COMPAL COMMUNICATIONS, INC. NEITHER THIS SHEET NOR THE INFORMATION CONTAINS MAY BE USED BY OR DISCLOSED TO ANY THIRD PARTY WITHOUT PRIOR WRITTEN CONSENT OF COMPAL COMMUNICATIONS, INC.

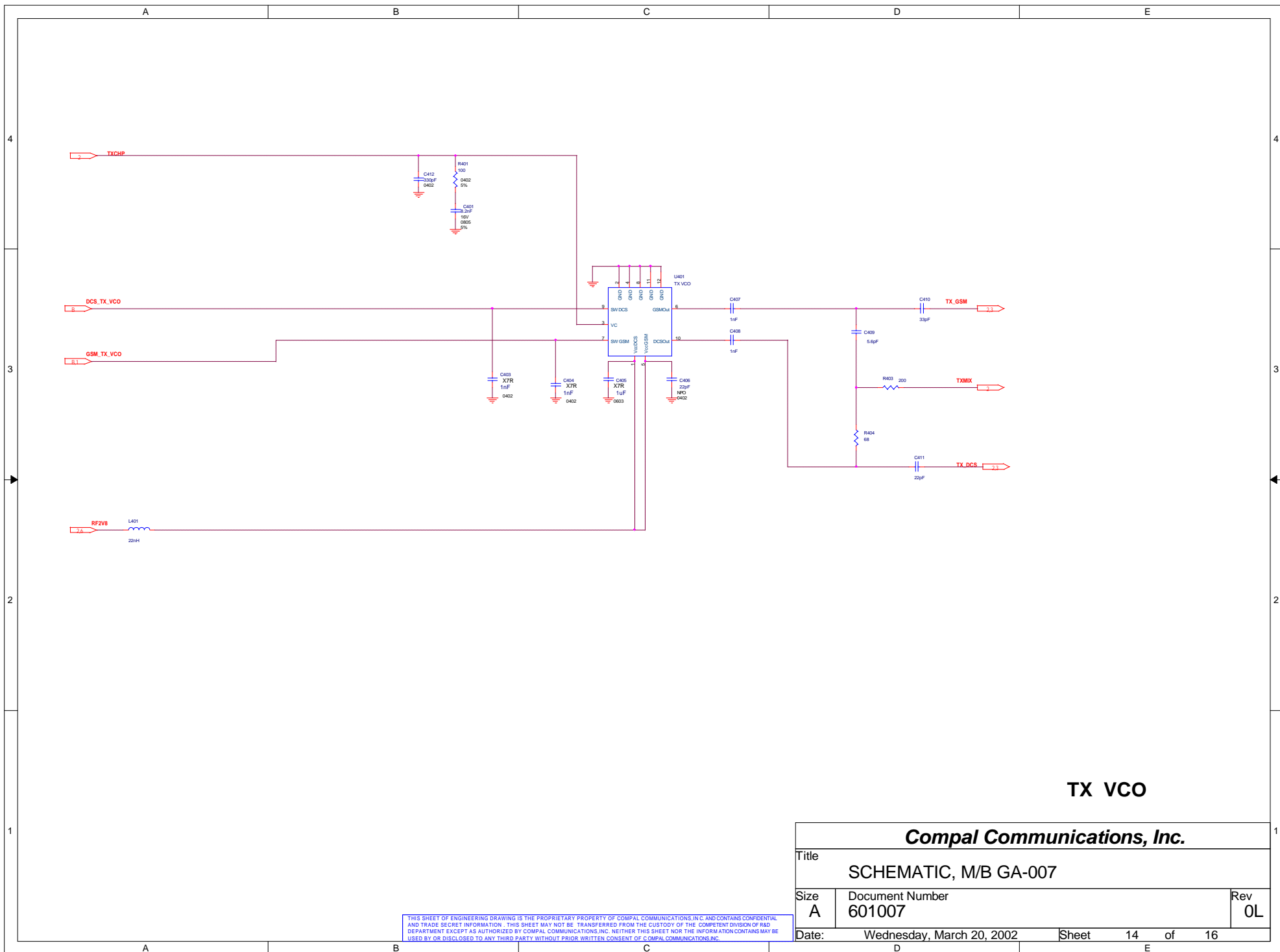


Regulator

Compal Communications, Inc.

Title		
SCHEMATIC, M/B GA-007		
Size	Document Number	Rev
A	601007	OL
Date:	Wednesday, March 20, 2002	Sheet 16 of 16

THIS SHEET OF ENGINEERING DRAWING IS THE PROPRIETARY PROPERTY OF COMPAL COMMUNICATIONS, INC. AND CONTAINS CONFIDENTIAL AND TRADE SECRET INFORMATION. THIS SHEET MAY NOT BE TRANSFERRED FROM THE CUSTODY OF THE COMPETENT DIVISION OF R&D DEPARTMENT EXCEPT AS AUTHORIZED BY COMPAL COMMUNICATIONS, INC. NEITHER THIS SHEET NOR THE INFORMATION CONTAINS MAY BE USED BY OR DISCLOSED TO ANY THIRD PARTY WITHOUT PRIOR WRITTEN CONSENT OF COMPAL COMMUNICATIONS, INC.



TX VCO

Compal Communications, Inc.		
Title		
SCHEMATIC, M/B GA-007		
Size	Document Number	Rev
A	601007	0L
Date:	Wednesday, March 20, 2002	Sheet 14 of 16

THIS SHEET OF ENGINEERING DRAWING IS THE PROPRIETARY PROPERTY OF COMPAL COMMUNICATIONS, INC. AND CONTAINS CONFIDENTIAL AND TRADE SECRET INFORMATION. THIS SHEET MAY NOT BE TRANSFERRED FROM THE CUSTODY OF THE COMPETENT DIVISION OF R&D DEPARTMENT EXCEPT AS AUTHORIZED BY COMPAL COMMUNICATIONS, INC. NEITHER THIS SHEET NOR THE INFORMATION CONTAINS MAY BE USED BY OR DISCLOSED TO ANY THIRD PARTY WITHOUT PRIOR WRITTEN CONSENT OF COMPAL COMMUNICATIONS, INC.

