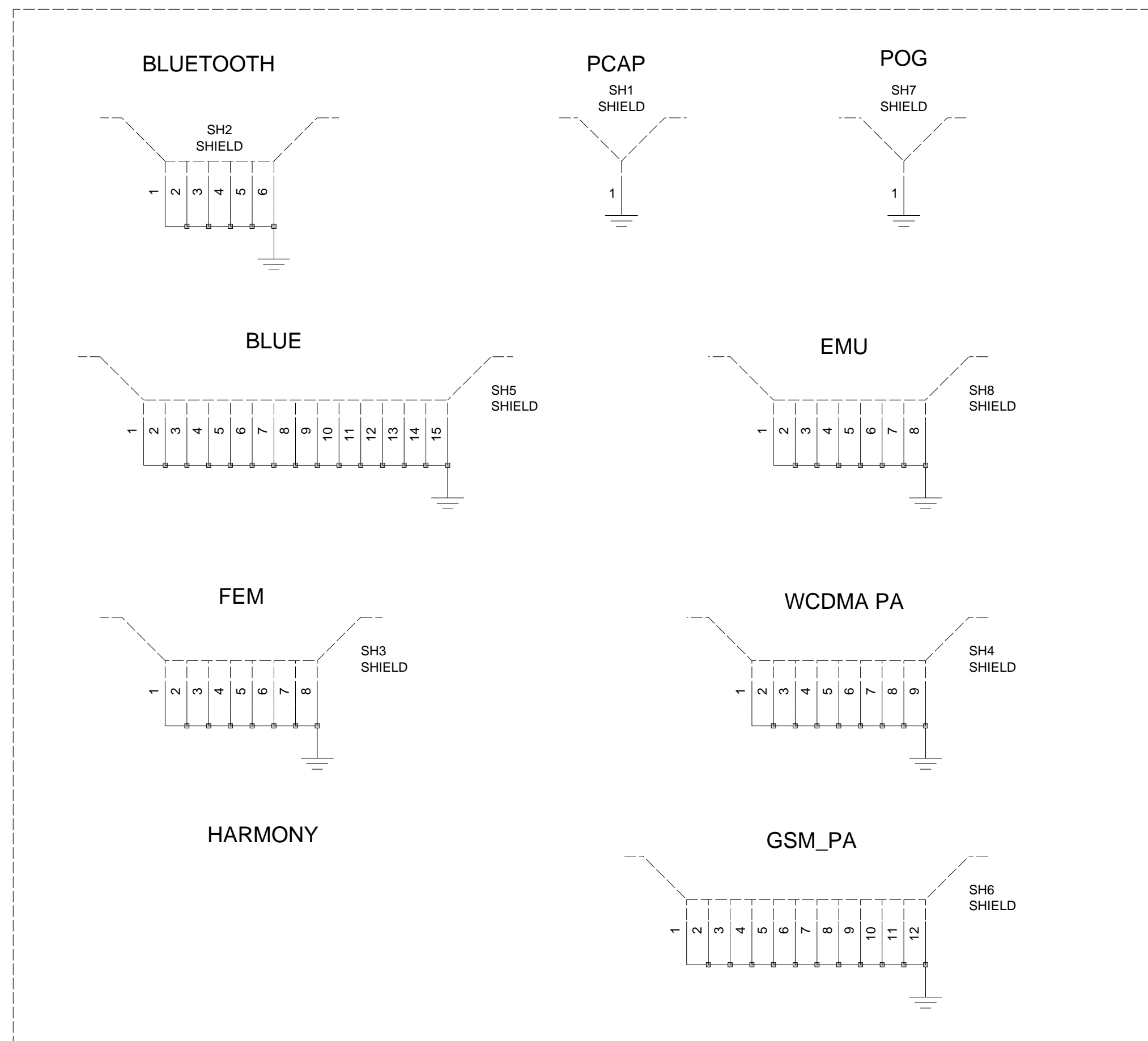
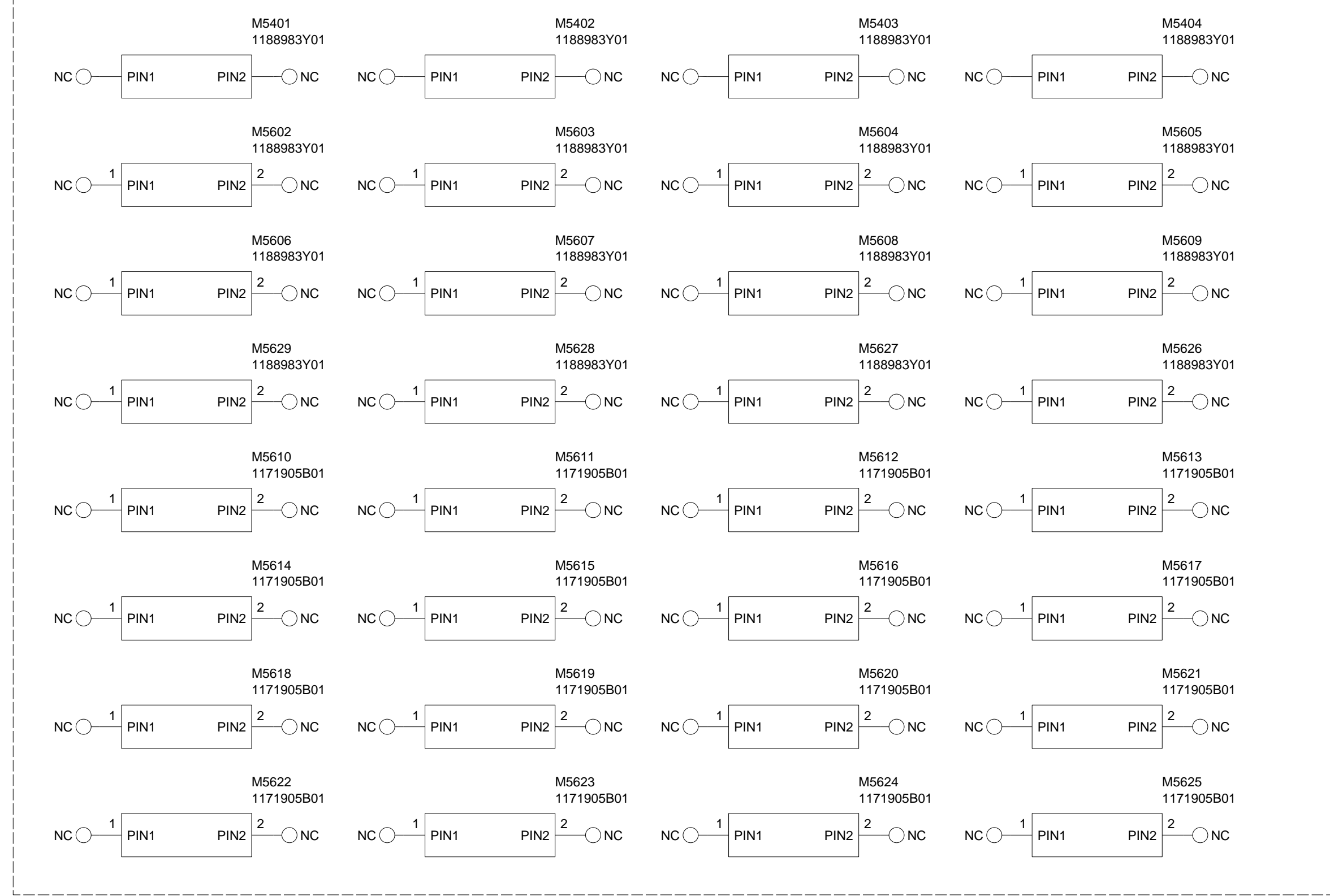


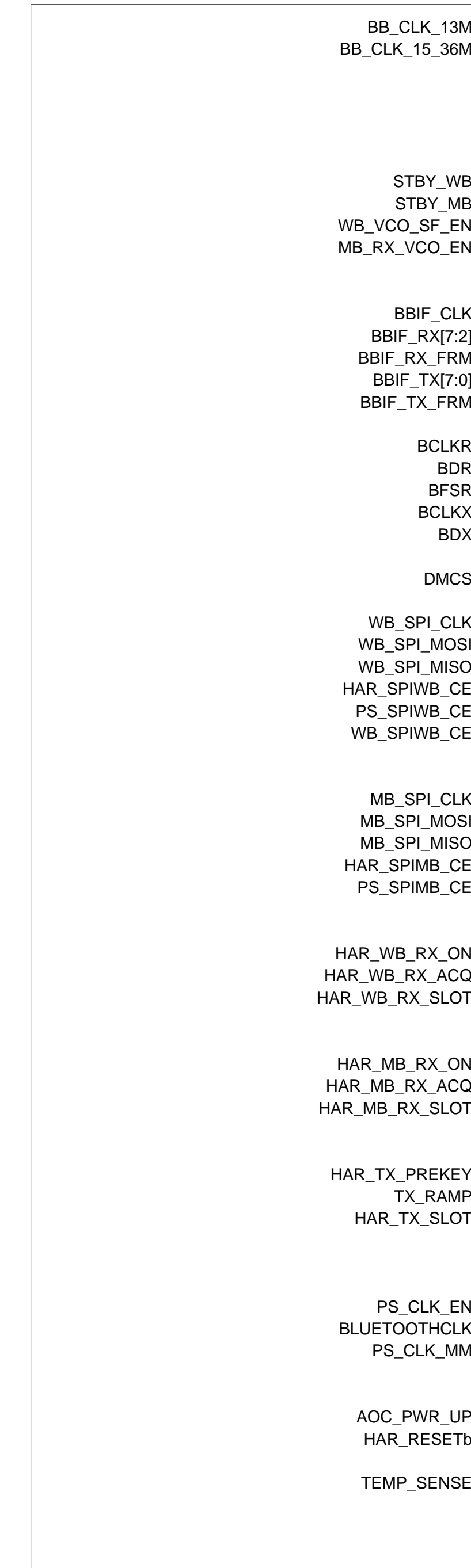
SHEILDS



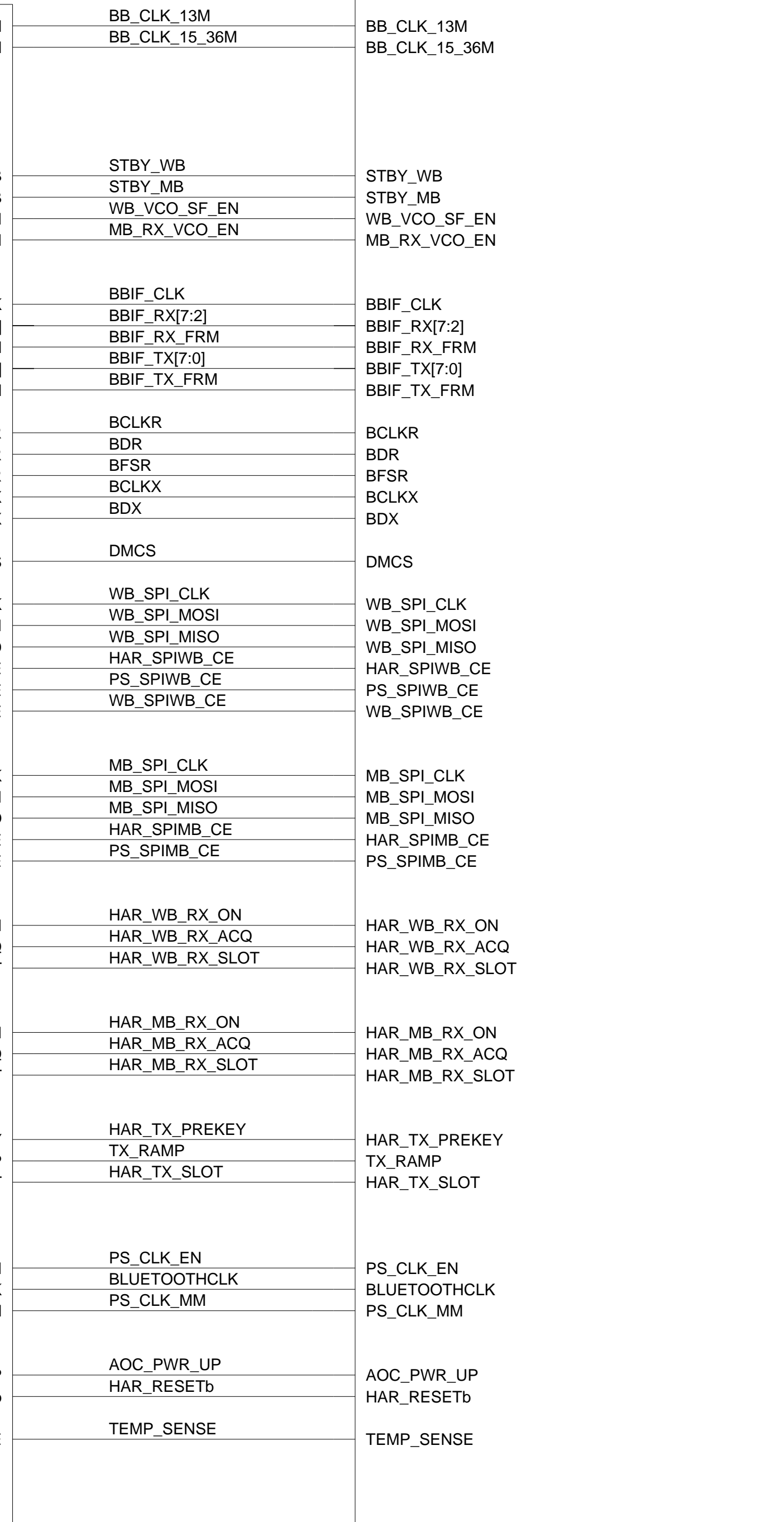
UNDERFILMS



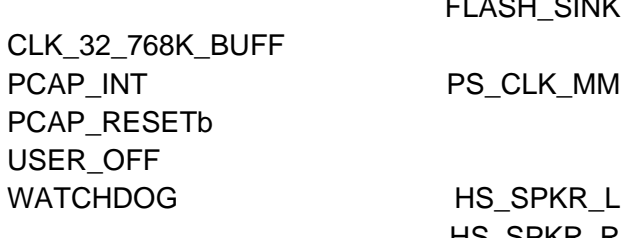
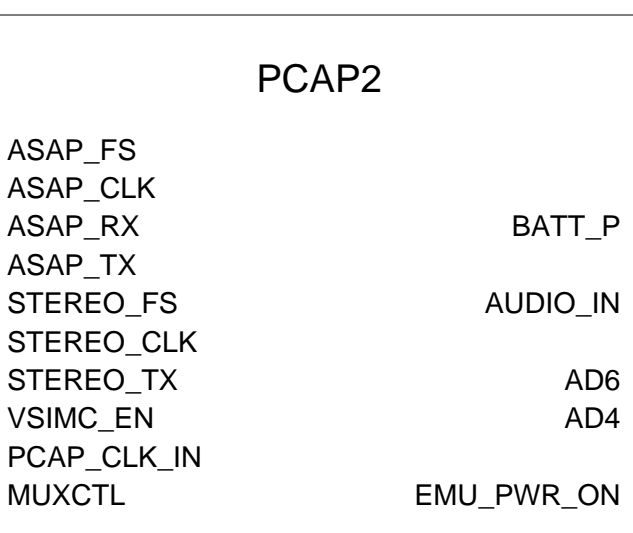
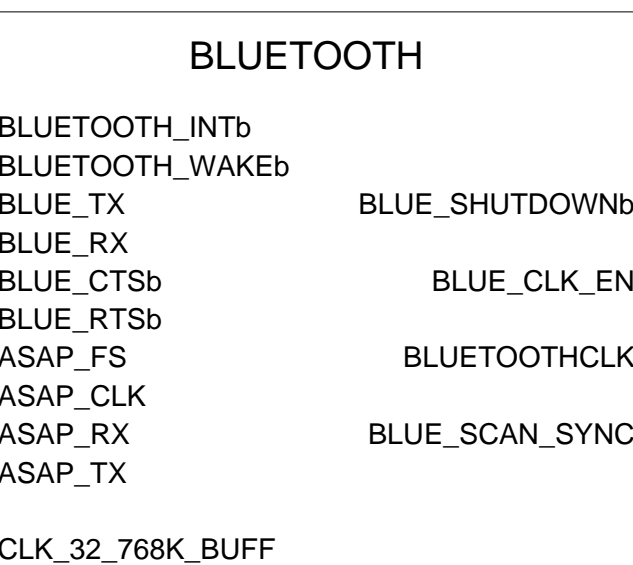
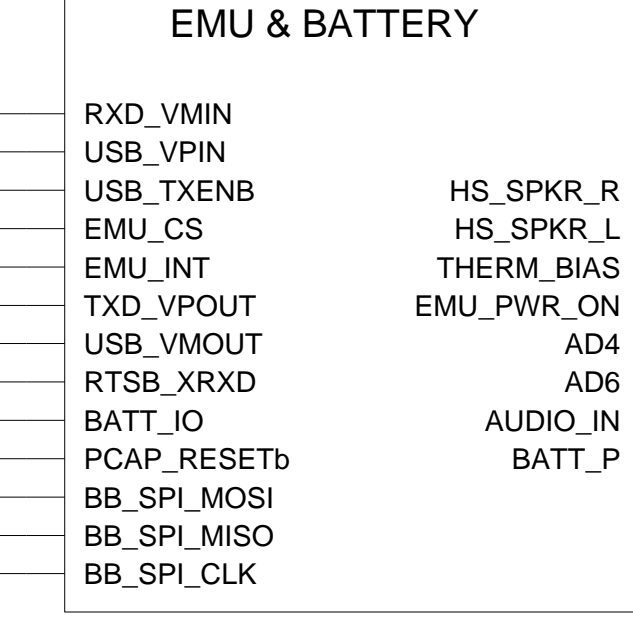
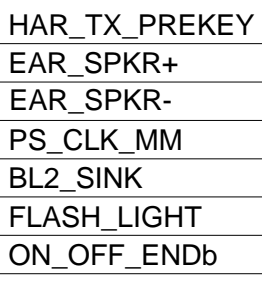
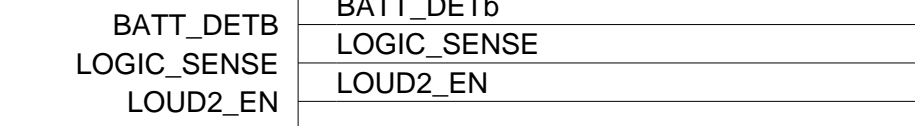
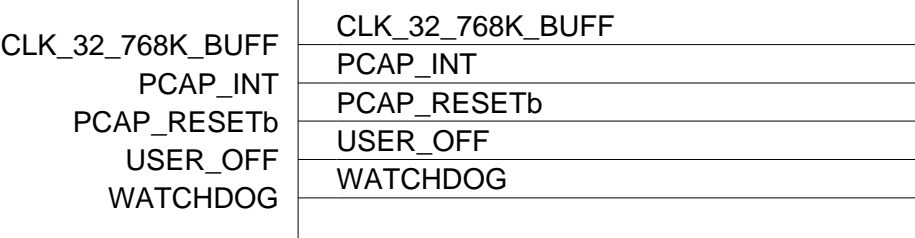
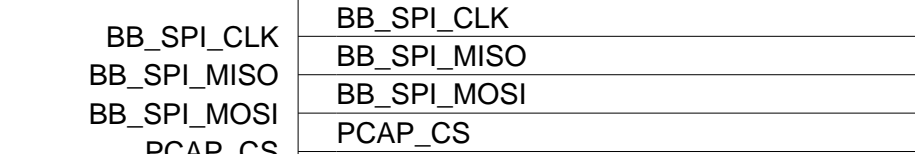
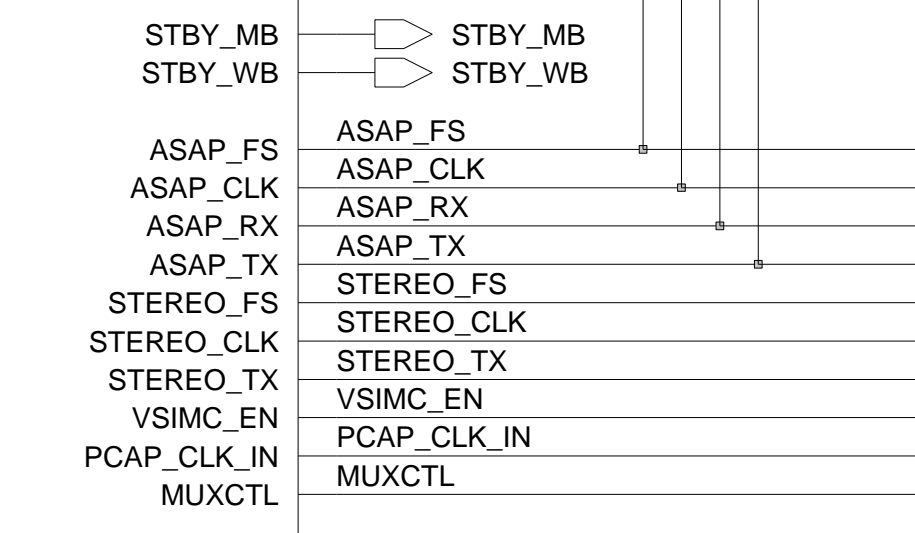
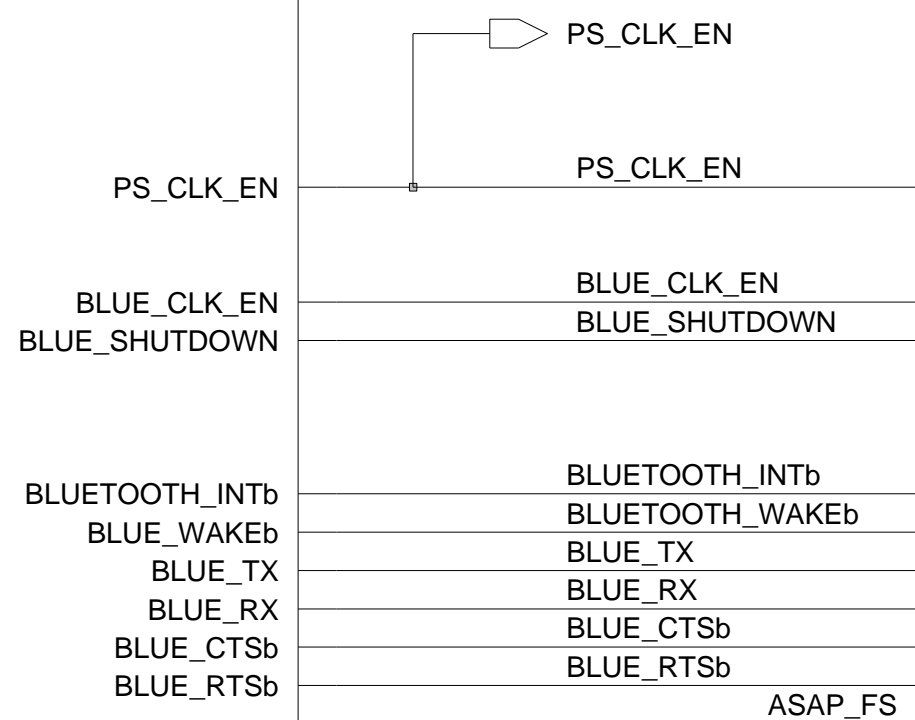
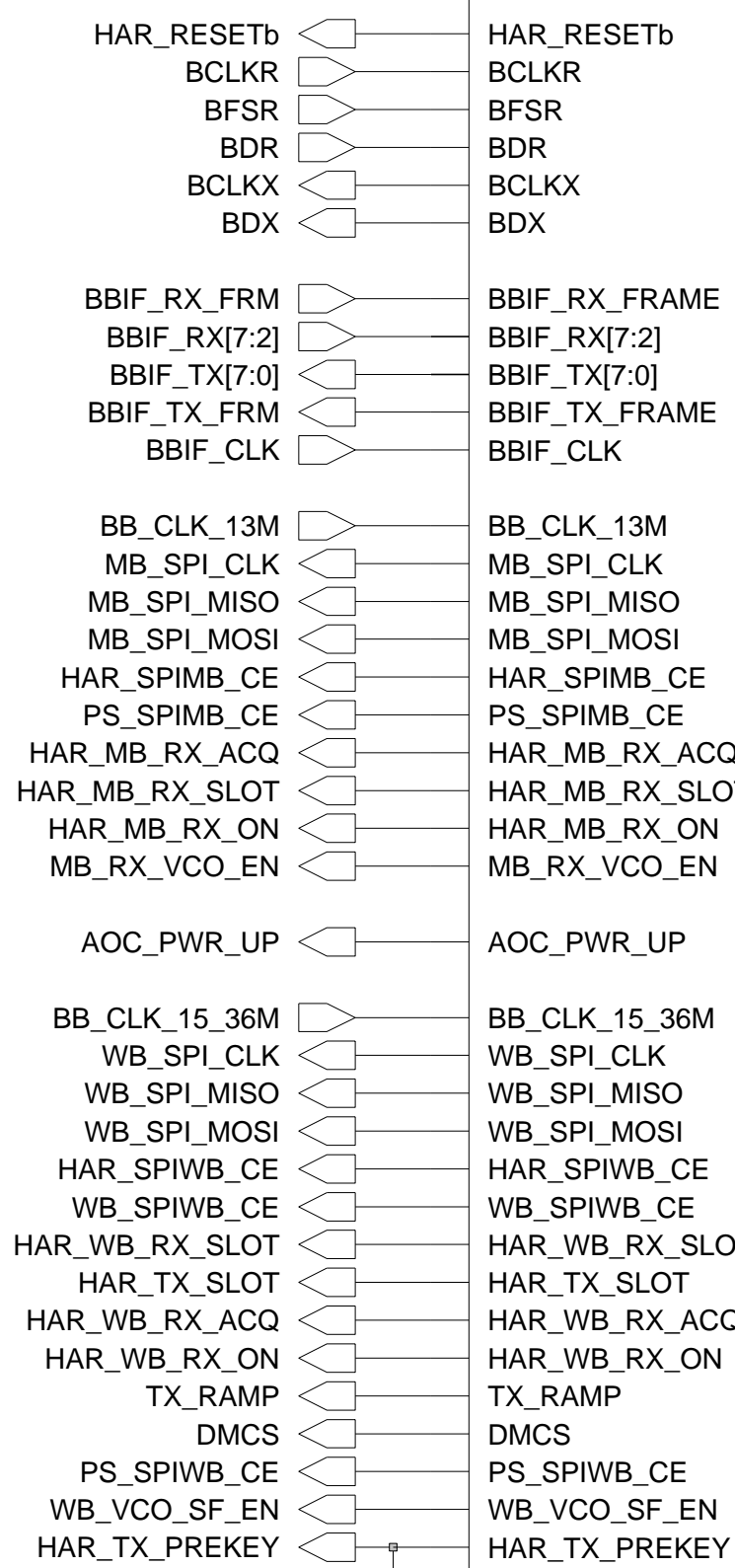
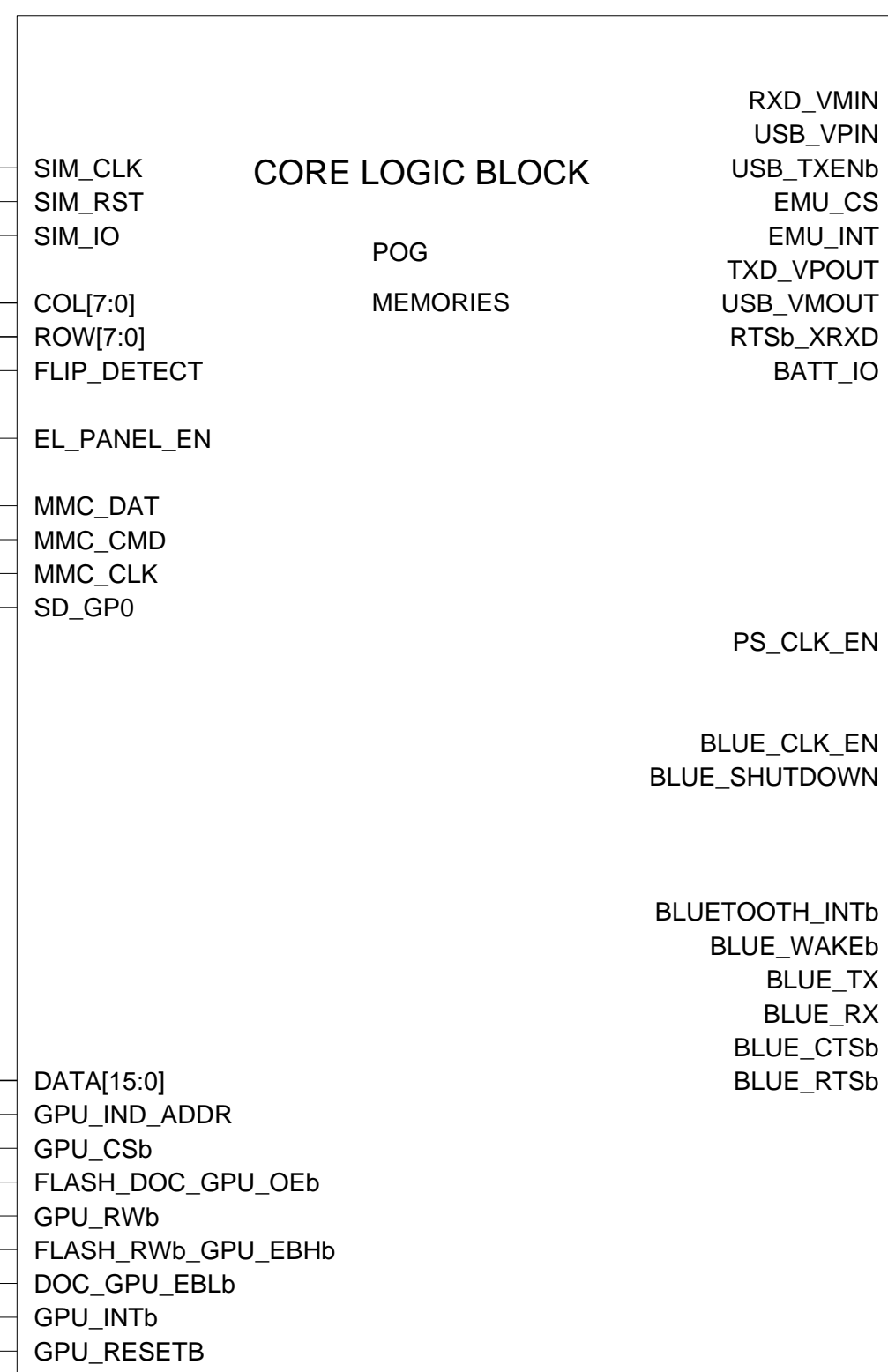
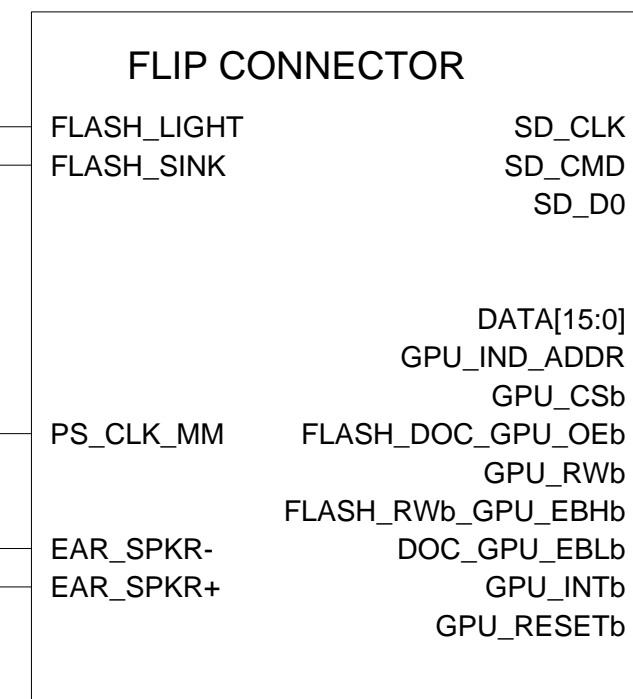
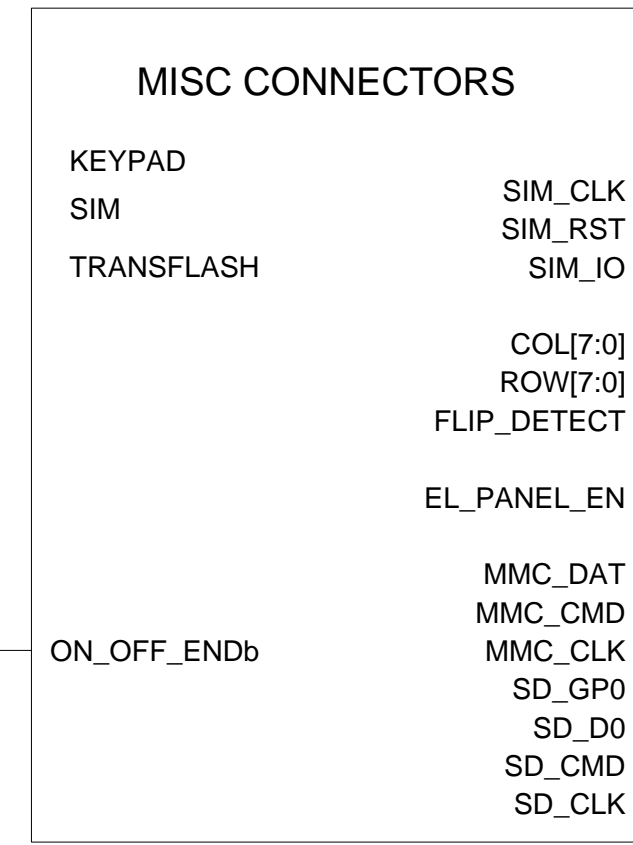
BB




RF



Engineer:			
Drawn by:			
R&D CHK:	TITLE: TARAZED	Size:	
DOC CTRL CHK:	BaseBand Top Level		
MFG CTRL CHK:	REV: P4	Drawing Number:	Page: 7 Of: 20
QA CHK:	Date: 20th July 2005	Time: 3:24:22 pm	
Changed by: ARC127			



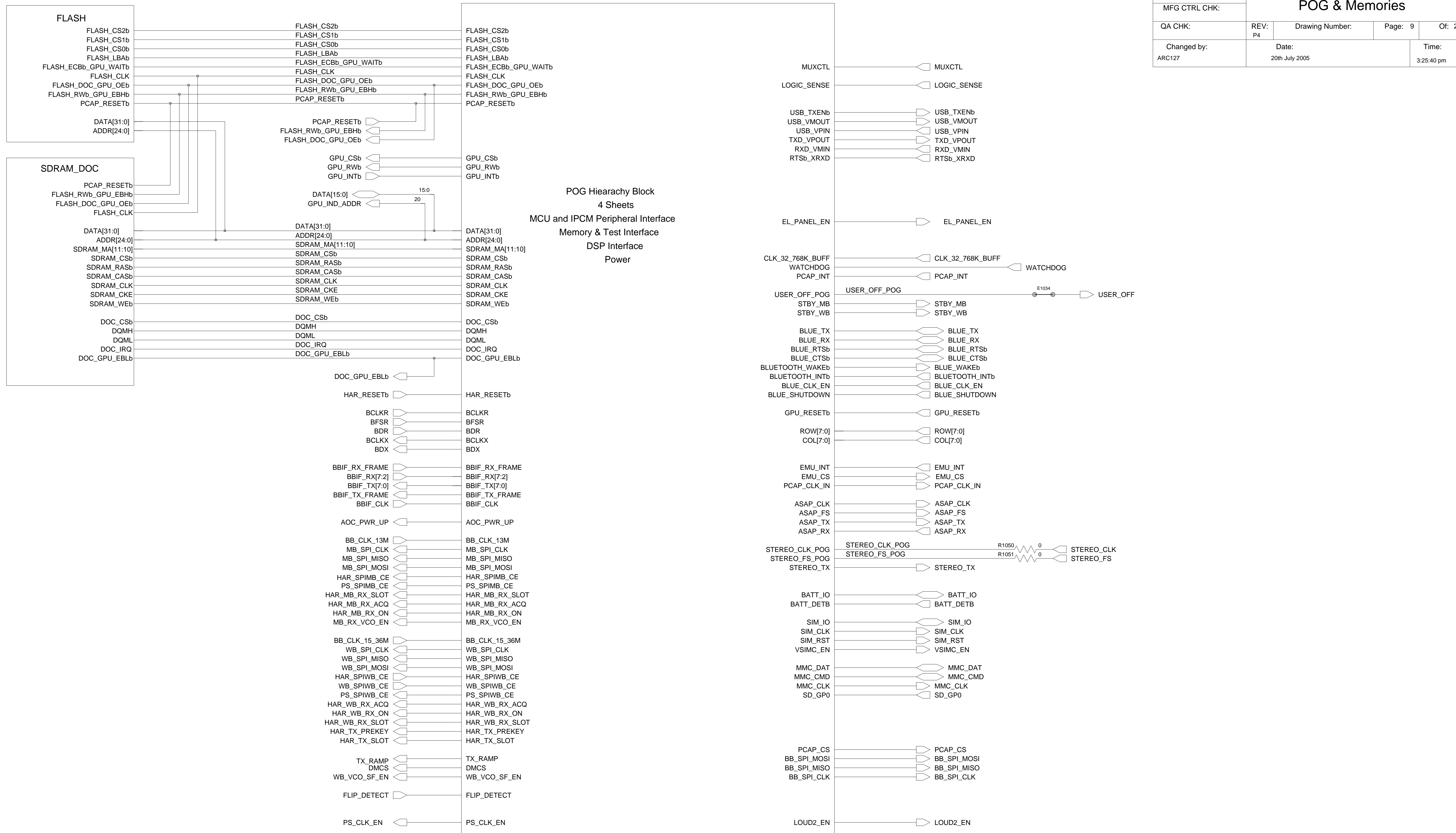
Engineer:					
Drawn by:					
R&D CHK:				TITLE: TARAZED	Size:
DOC CTRL CHK:				POG & Memories	
MFG CTRL CHK:	REV: P4	Drawing Number:	Page: 9	Of: 20	
QA CHK:	Changed by: ARC127	Date: 20th July 2005	Time: 3:25:40 pm		

A

B

C

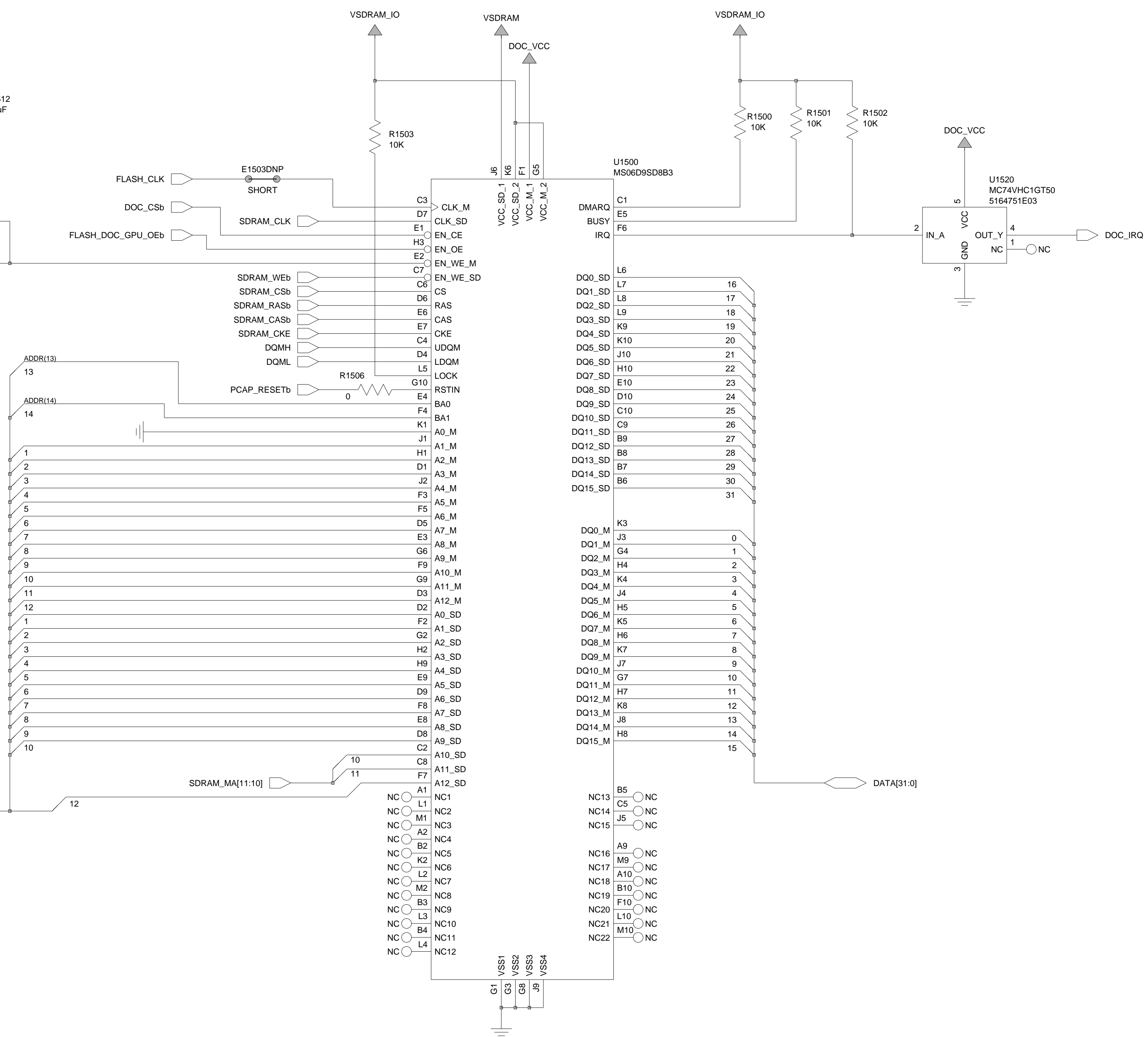
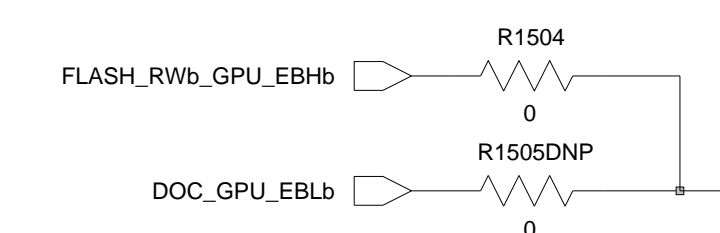
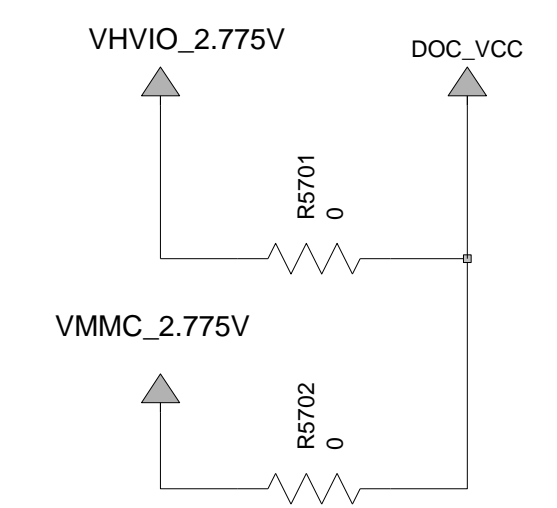
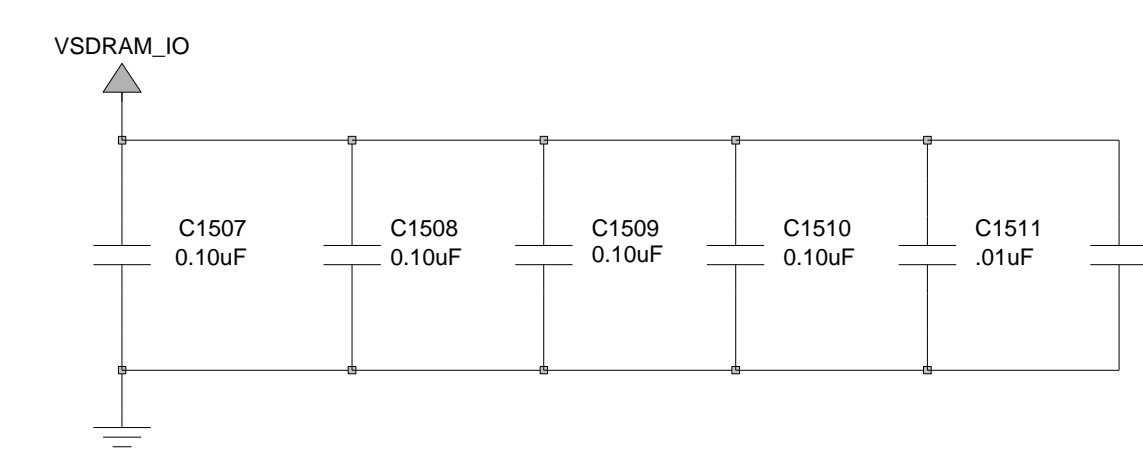
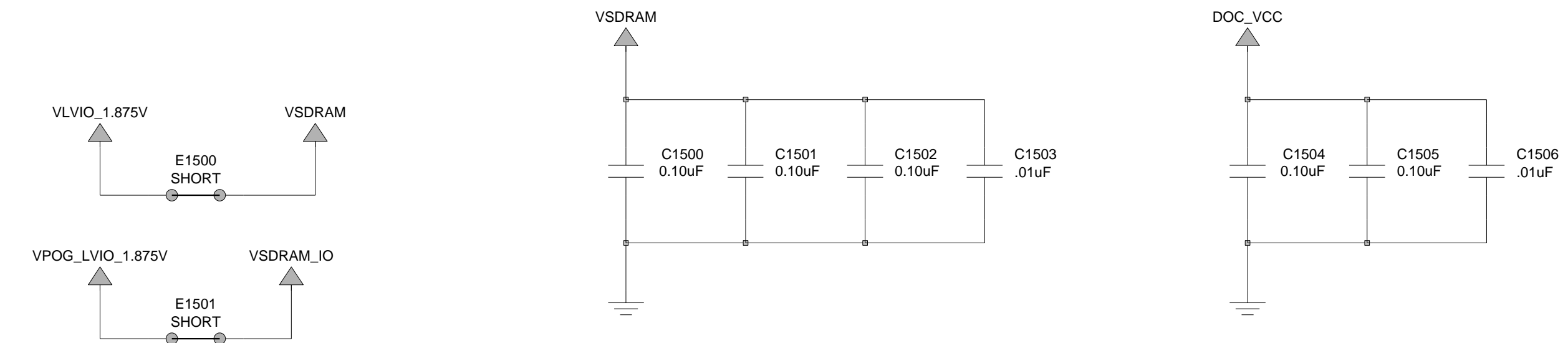
D



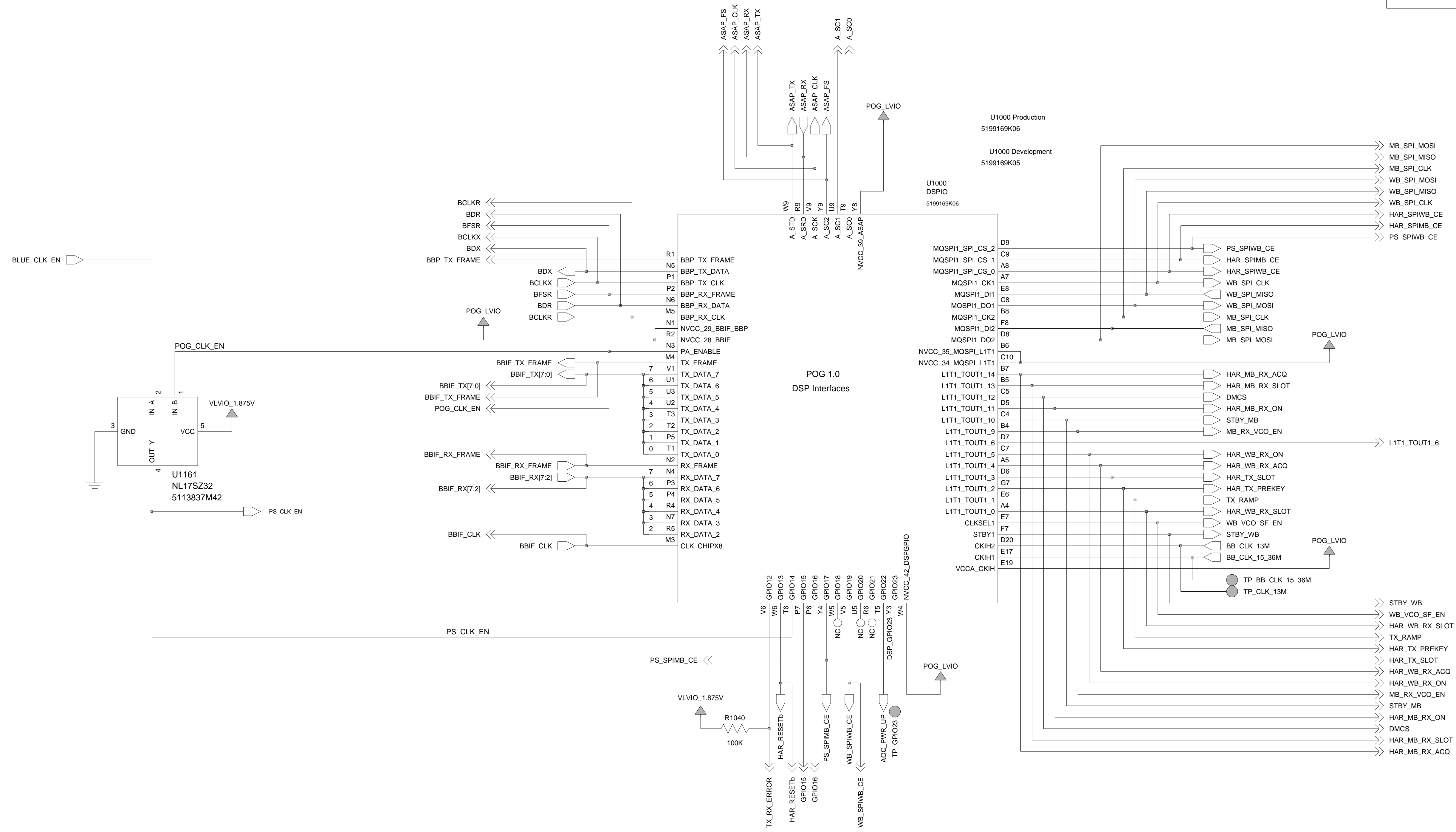
MOTOROLA CONFIDENTIAL PROPRIETARY

Engineer:	MOTOROLA INC.		
Drawn by:	TITLE: TARAZED Size:		
R&D CHK:	SDRAM and DOC		Page: 15
DOC CTRL CHK:	REV: P4	Drawing Number:	Of: 20
MFG CTRL CHK:	QA CHK:	Date: 20th July 2005	Time: 8:54:35 am
Changed by: ARC127			

A
B
C
D

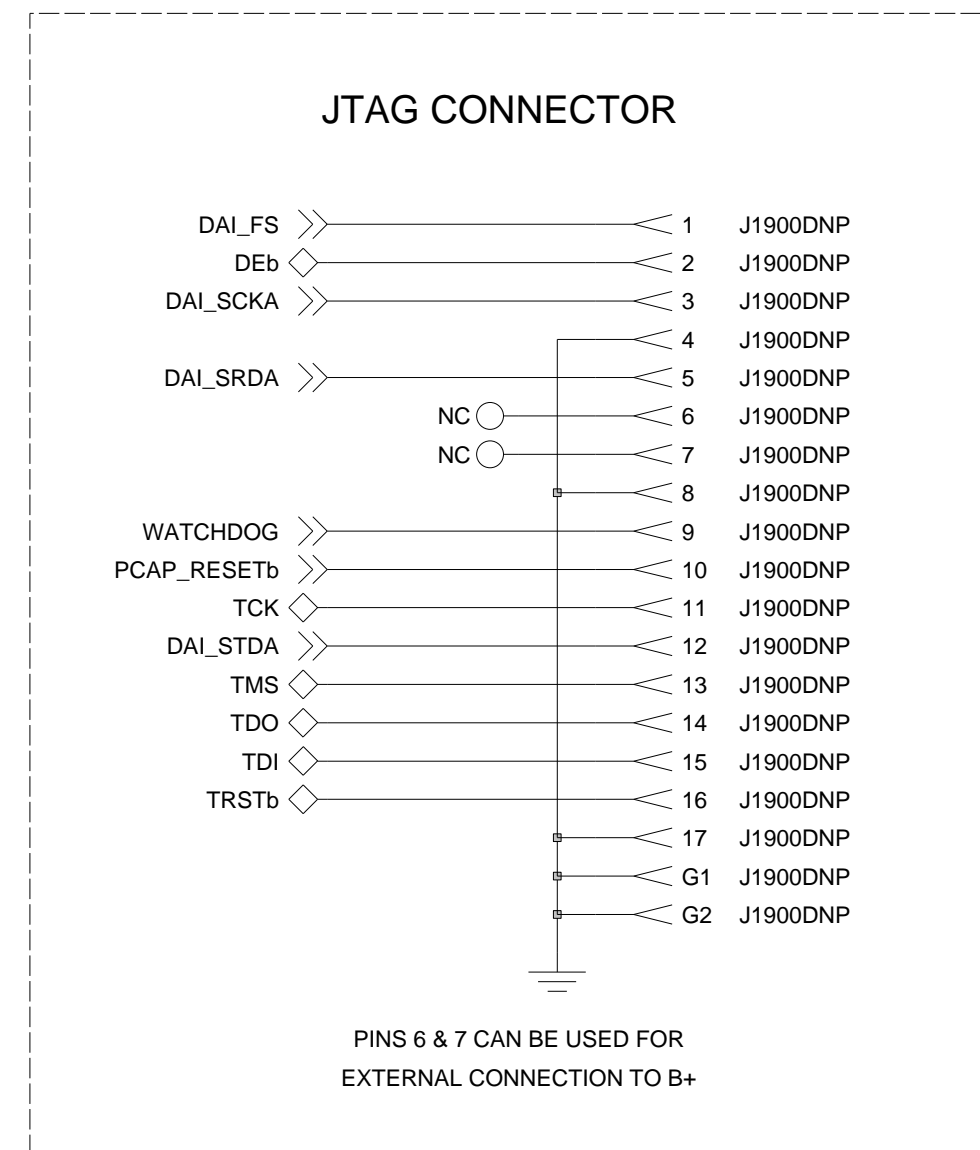
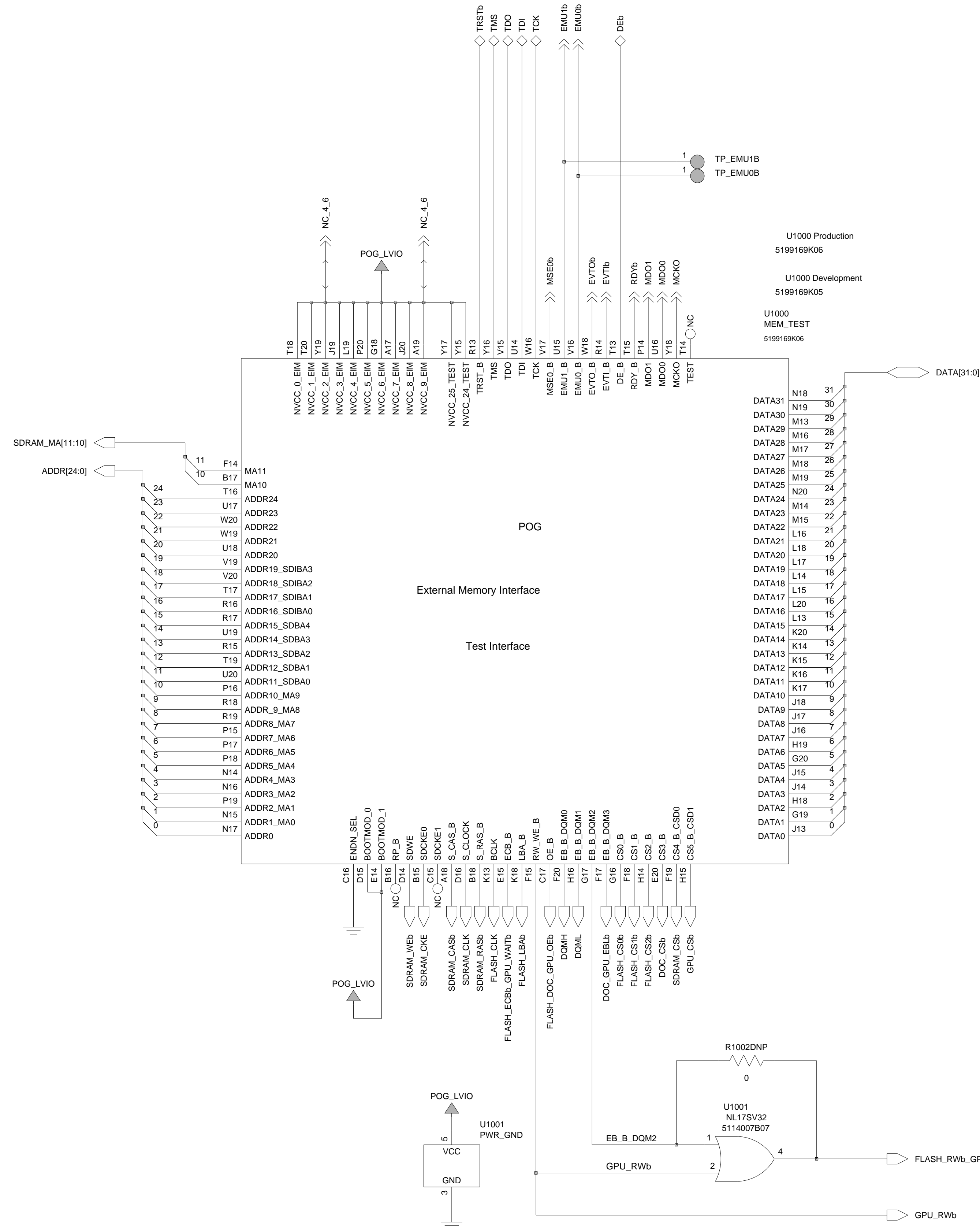


Engineer:	MOTOROLA INC.		
Drawn by:	TITLE: TARAZED Size:		
R&D CHK:	POG DSP Interface		
DOC CTRL CHK:	REV: P4	Drawing Number:	Page: 13 Of: 20
MFG CTRL CHK:	Date: 20th July 2005 Time: 4:24:18 pm		
QA CHK:	ARC127		



A
B
C
D

Engineer:			
Drawn by:			
R&D CHK:	TITLE: TARAZED	Size:	
DOC CTRL CHK:	POG Memory & Test Interface		
MFG CTRL CHK:	REV: P4	Drawing Number:	Page: 12 Of: 20
QA CHK:	Date: 20th July 2005	Time: 2:21:53 pm	
Changed by: ARC127			



U1000 Production
5199169K06

U1000 Development
5199169K05

U1000
MEM_TEST
5199169K06

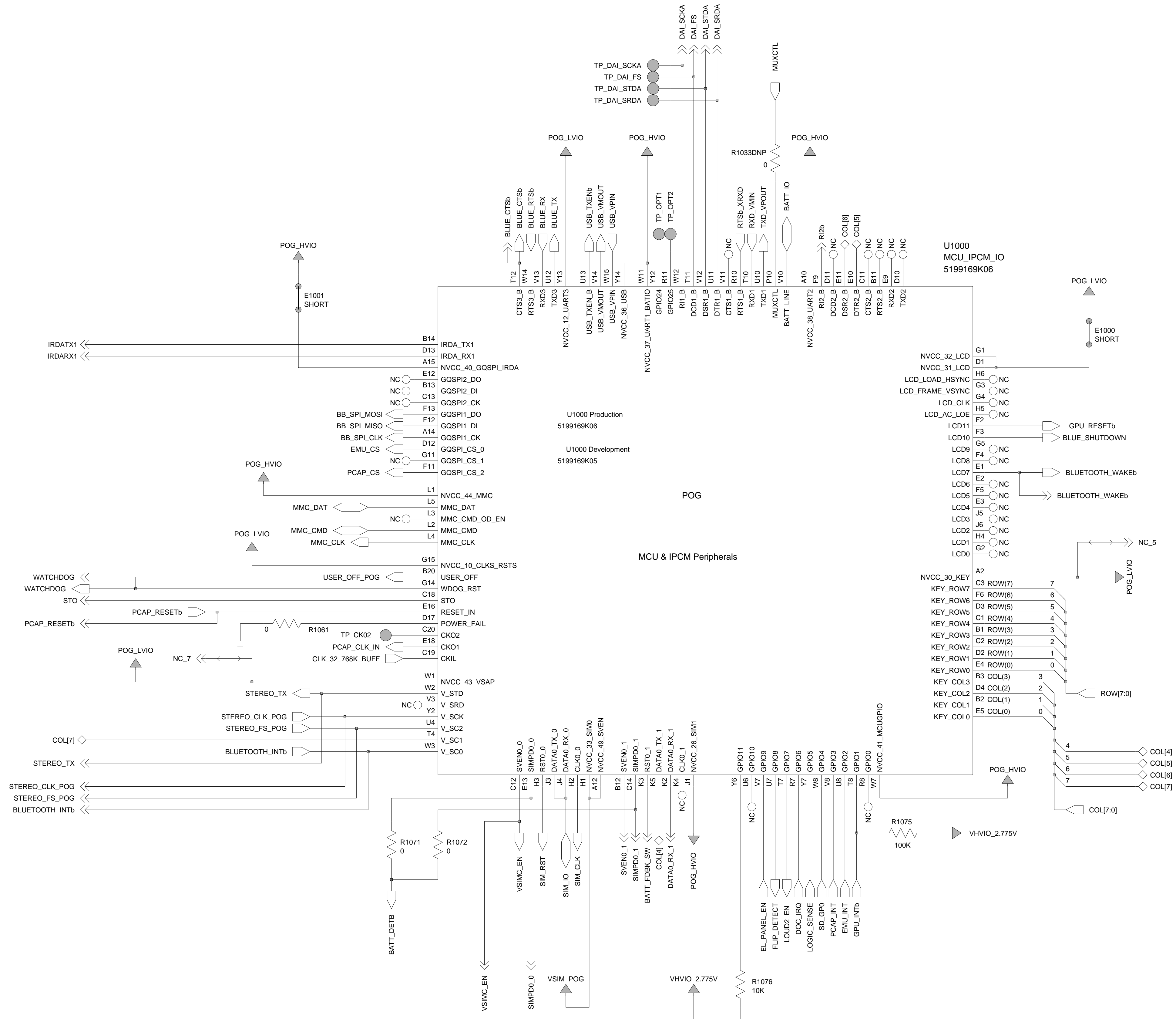
A

B

C

D

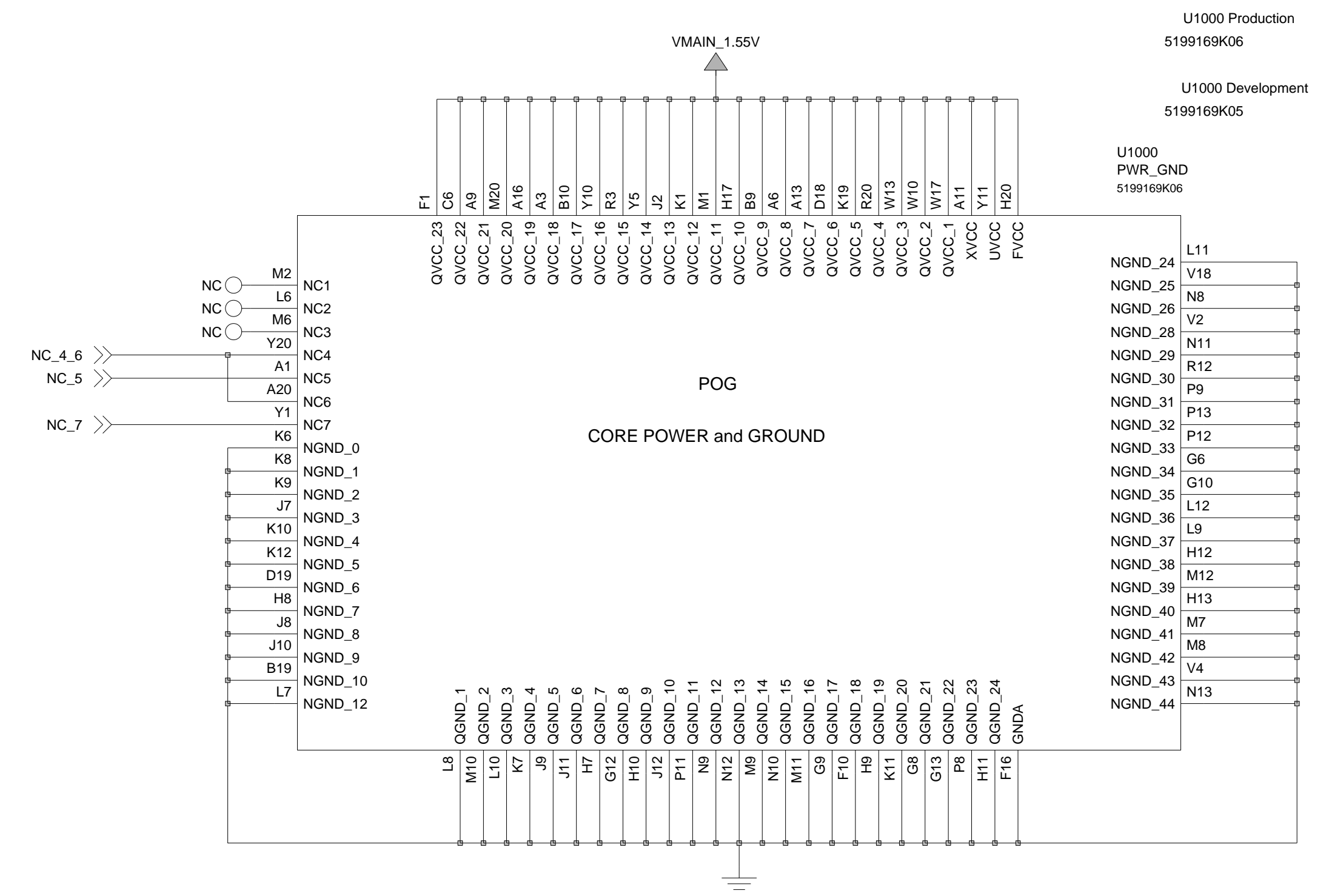
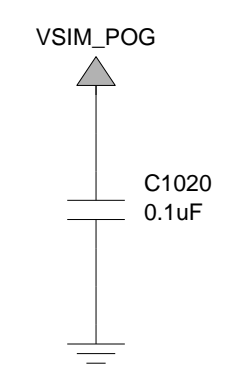
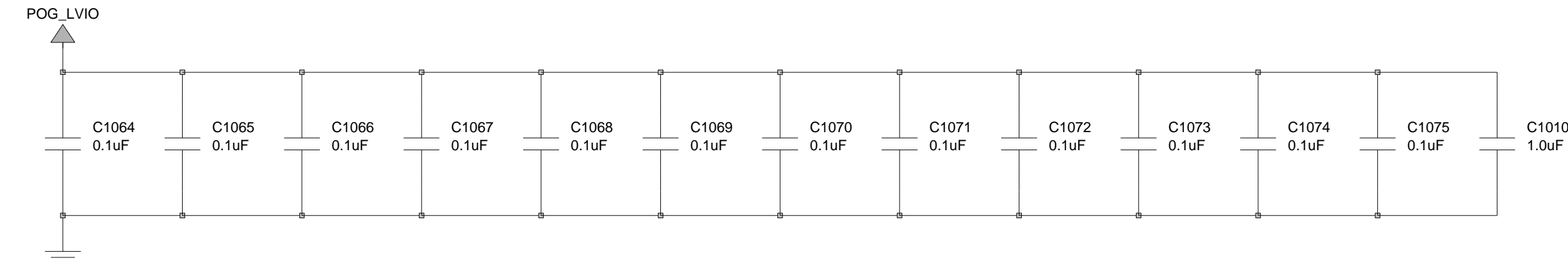
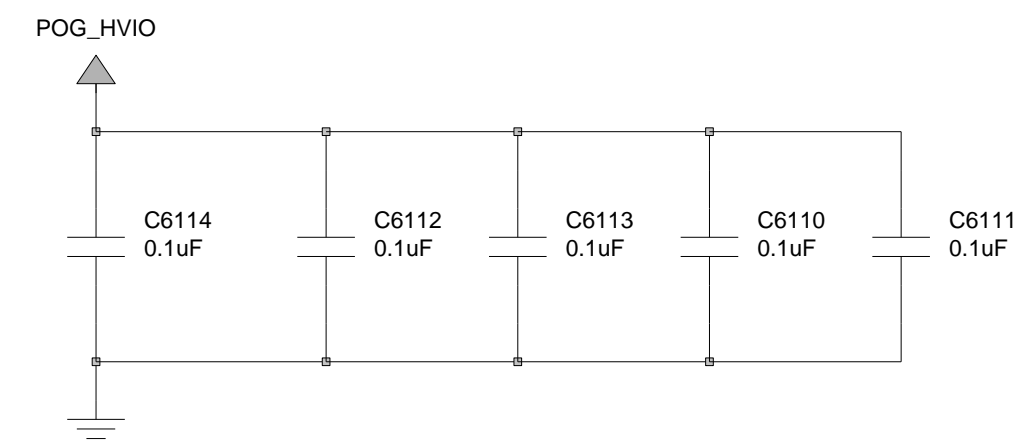
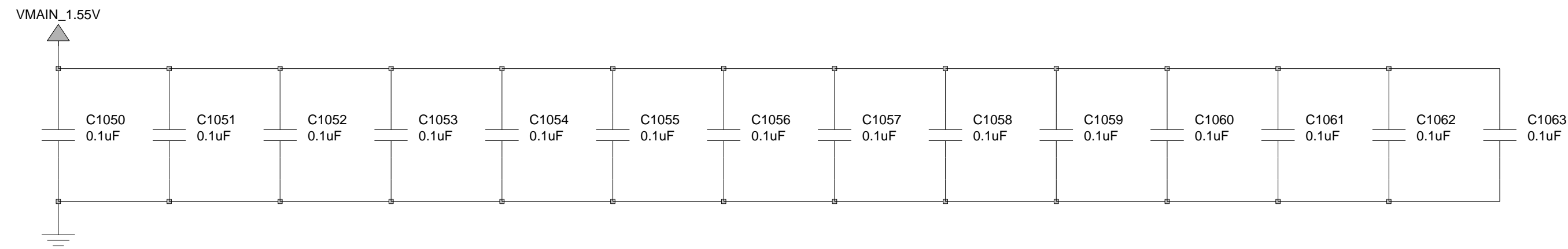
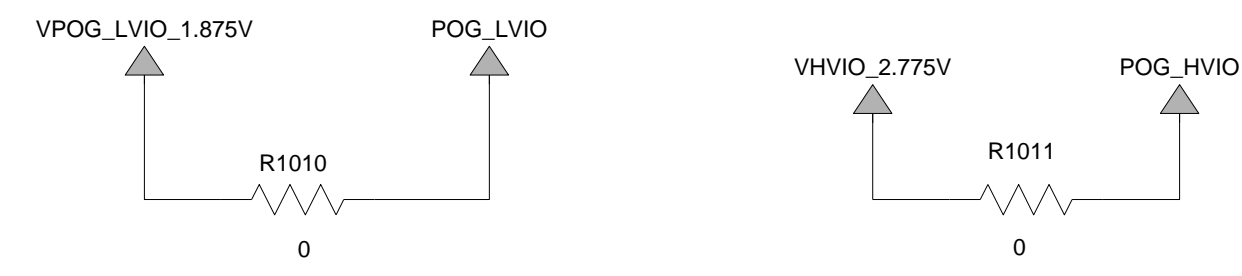
Engineer:			
Drawn by:			
R&D CHK:	TITLE: TARAZED	Size:	
DOC CTRL CHK:	POG Peripheral Int		
MFG CTRL CHK:	REV: P4	Drawing Number:	Page: 14 Of: 20
QA CHK:	Date: 20th July 2005	Time: 5:01:37 pm	
Changed by: ARC127			



MOTOROLA CONFIDENTIAL PROPRIETARY



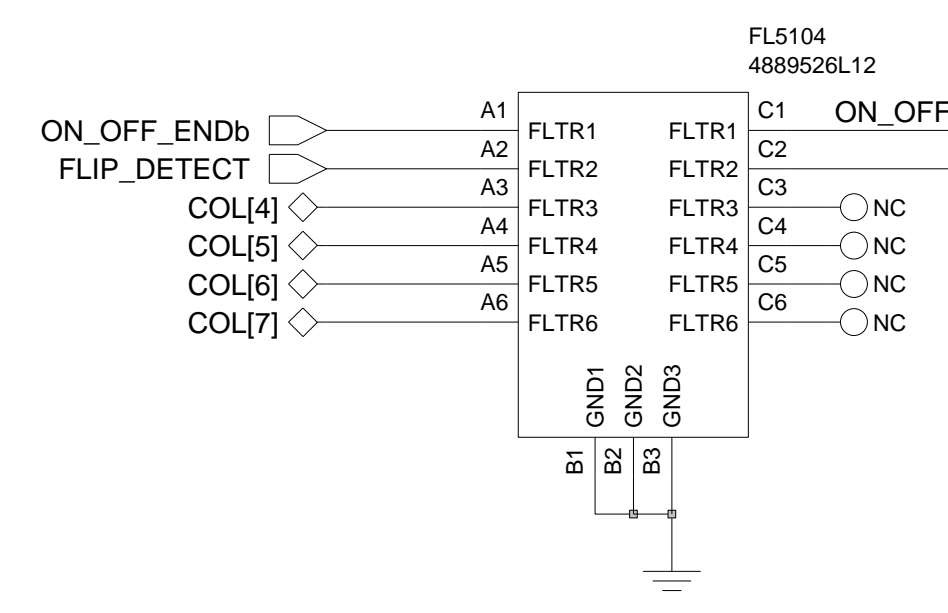
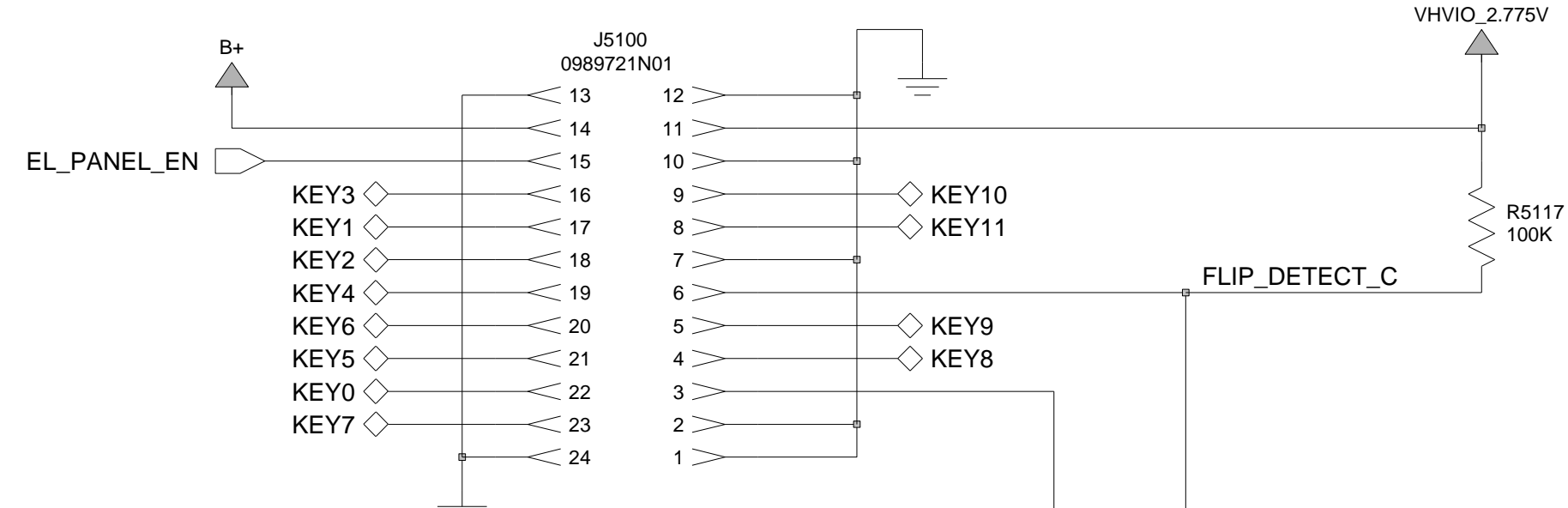
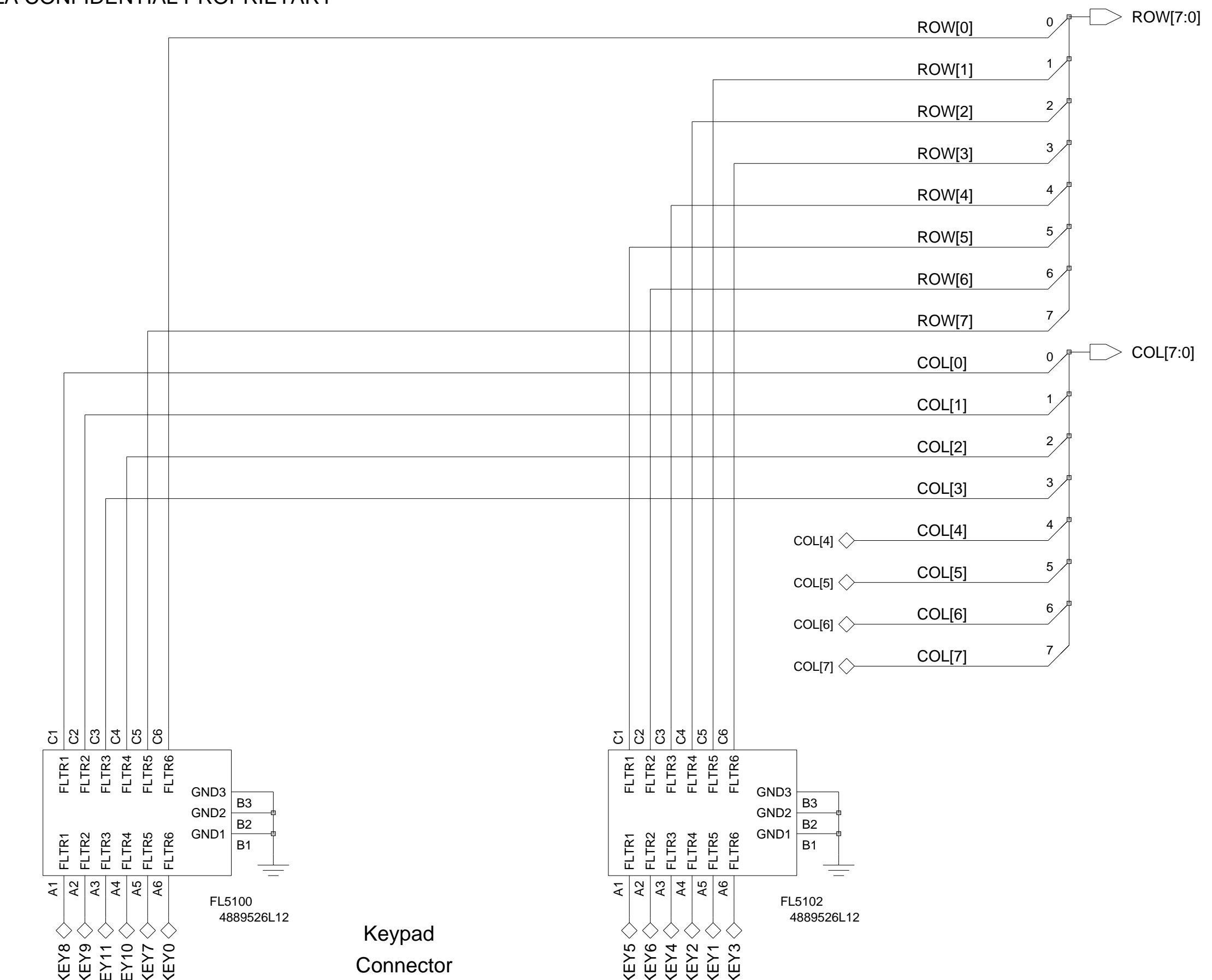
Engineer:			
Drawn by:			
R&D CHK:	TITLE: TARAZED	Size:	
DOC CTRL CHK:	POG Power Interface		
MFG CTRL CHK:	REV: P4	Drawing Number:	Page: 11 Of: 20
QA CHK:	Date: 1st JUNE 2005	Time: 3:23:21 pm	
Changed by: ARC127			



U1000 Production
5199169K06
U1000 Development
5199169K05
U1000
PWR_GND
5199169K06

Engineer:			
Drawn by:			
R&D CHK:	TITLE: TARAZED	Size:	
DOC CTRL CHK:	Misc Connectors		
MFG CTRL CHK:	REV: P4	Drawing Number:	Page: 16 Of: 20
QA CHK:	Date: 21st July 2005	Time: 3:05:27 pm	
Changed by: ARC127			

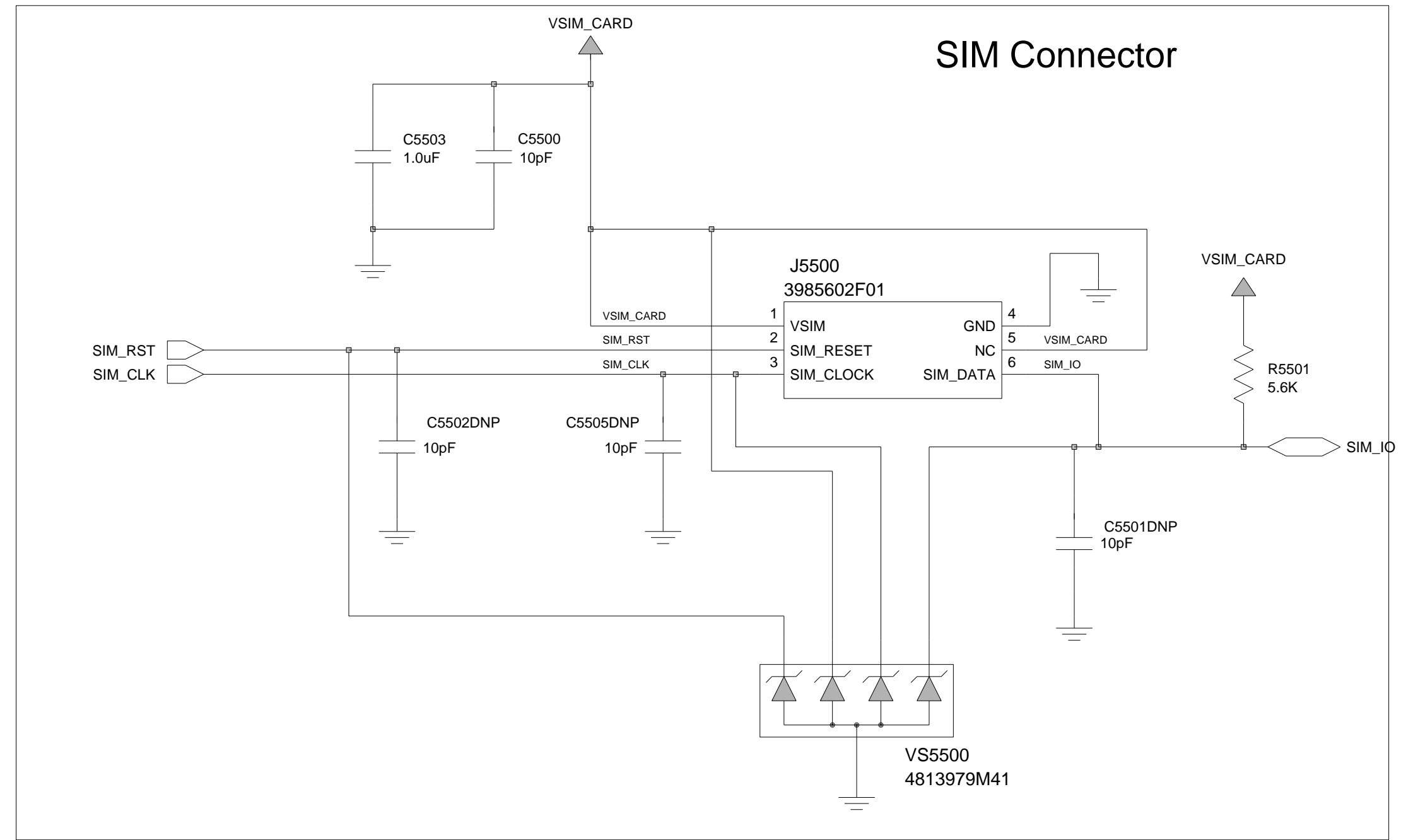
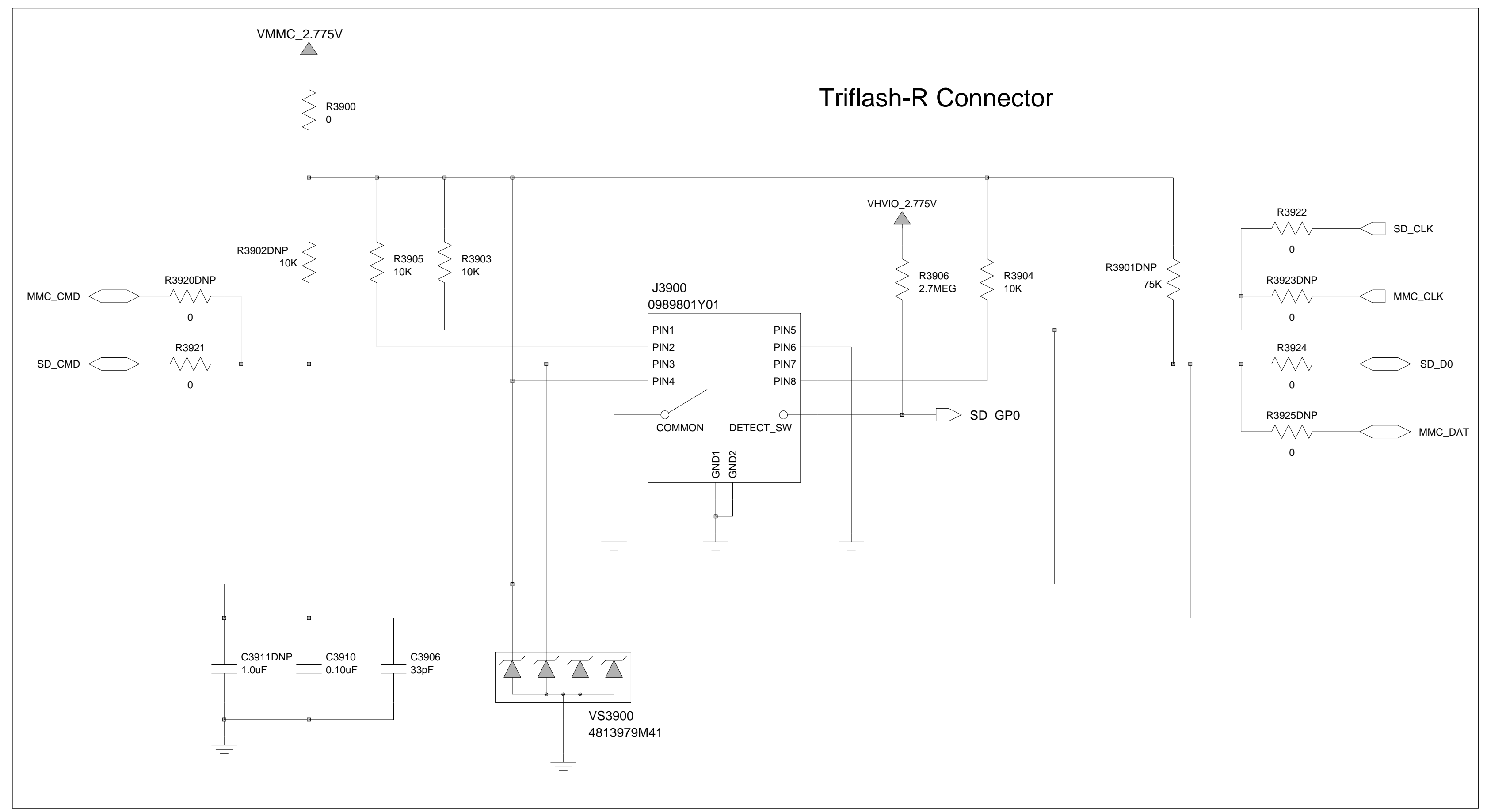
A
B
C
D



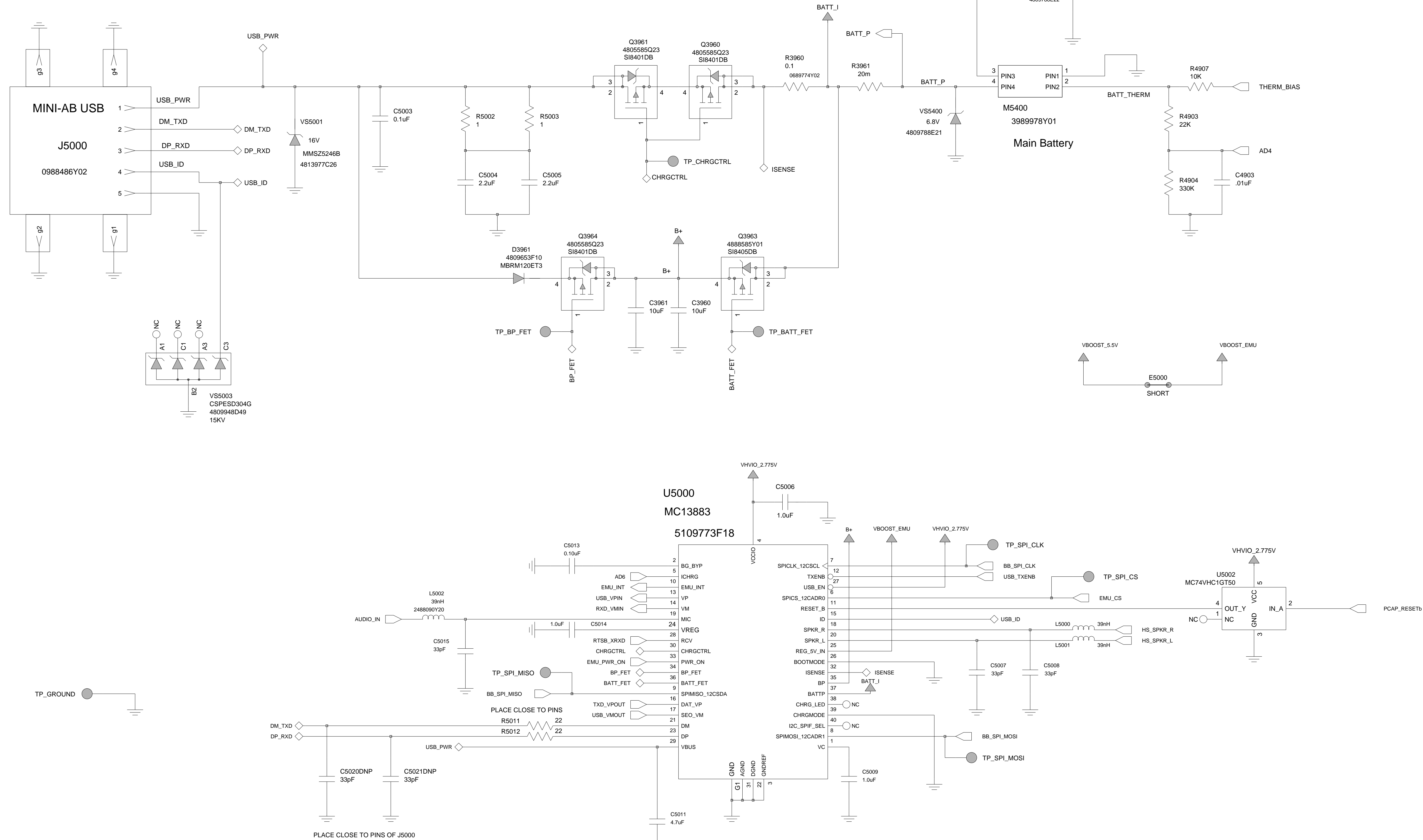
2 POLE IMPLEMENTATION FOR THE KEYPAD AND SIDE KEYS

	ROW7	ROW6	ROW5	ROW4	ROW3	ROW2	ROW1	ROW0
COL 0	6	4	2	8	.	#		9
COL 1	Left Soft	Clear Back	Right Soft	Browser	Video Call Send	Voice Call Send		7
COL 2	SMART	Vol Down	Vol Up	Camera	VAVR	0		5
COL 3	Nav Center	Nav Up	Nav Down	Nav Left	Nav Right	3	1	

COL [4 - 7] RESERVED FOR FUTURE USE



Engineer:			
Drawn by:			
R&D CHK:	TITLE: TARAZED	Page: 18	Of: 20
DOC CTRL CHK:	Size:		
MFG CTRL CHK:	EMU, Battery		
QA CHK:	REV: P4	Drawing Number:	Of: 20
Changed by: ARC127	Date: 20th July 2005	Time: 3:12:01 pm	



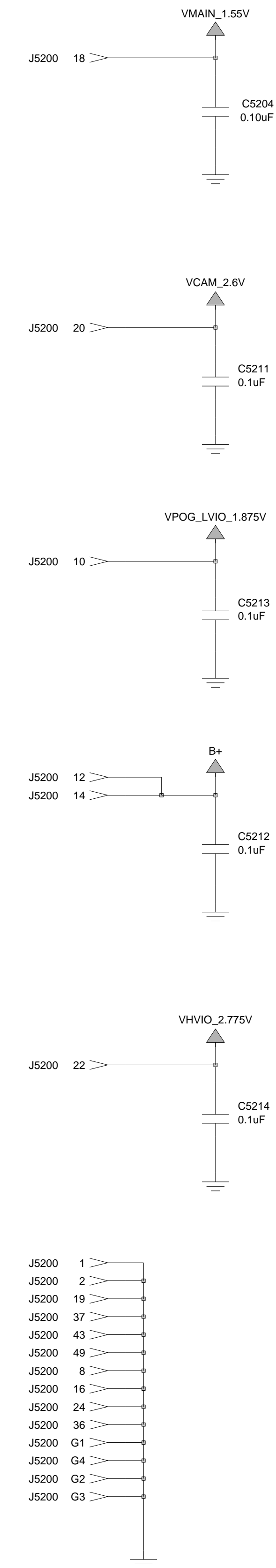
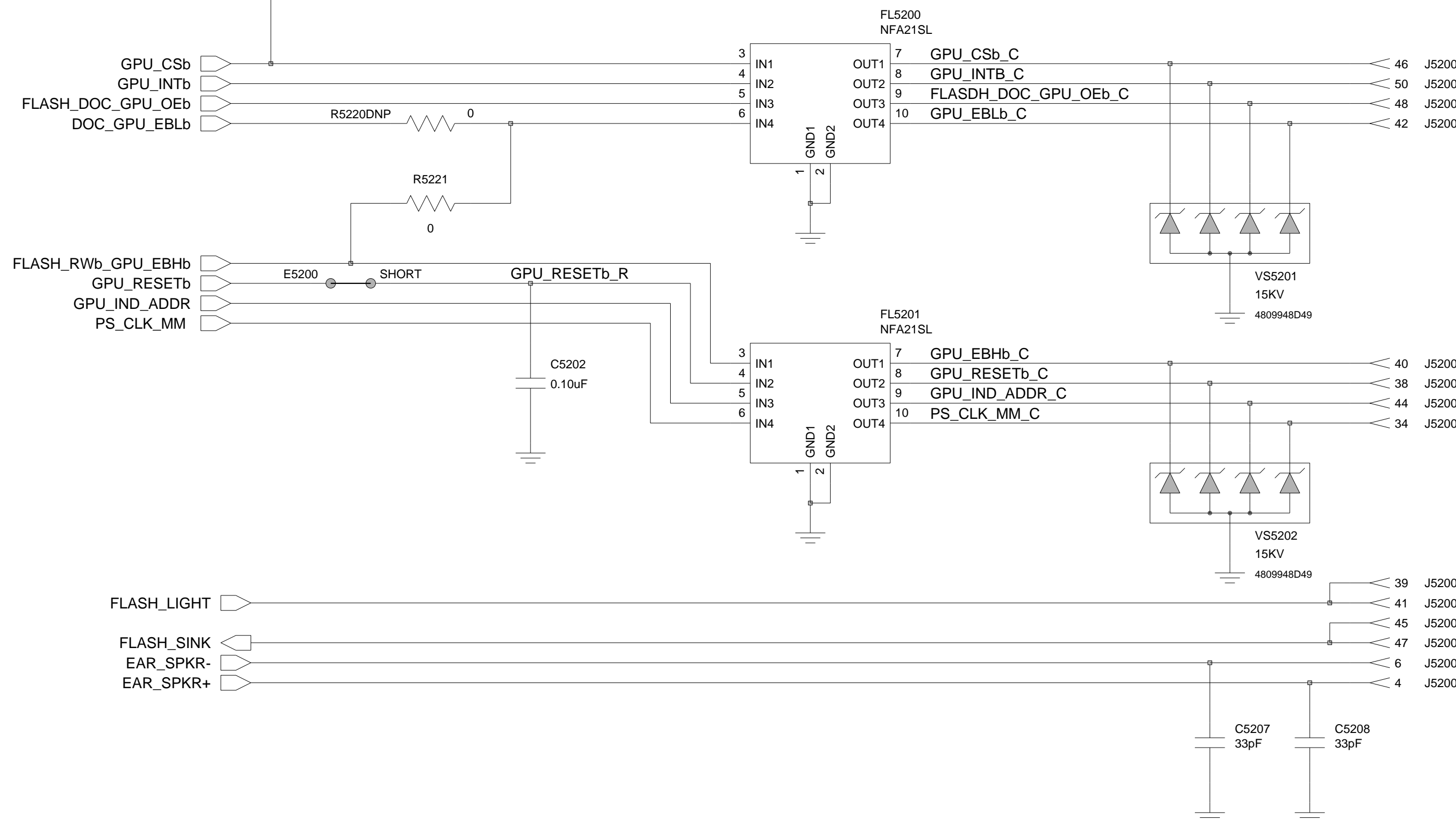
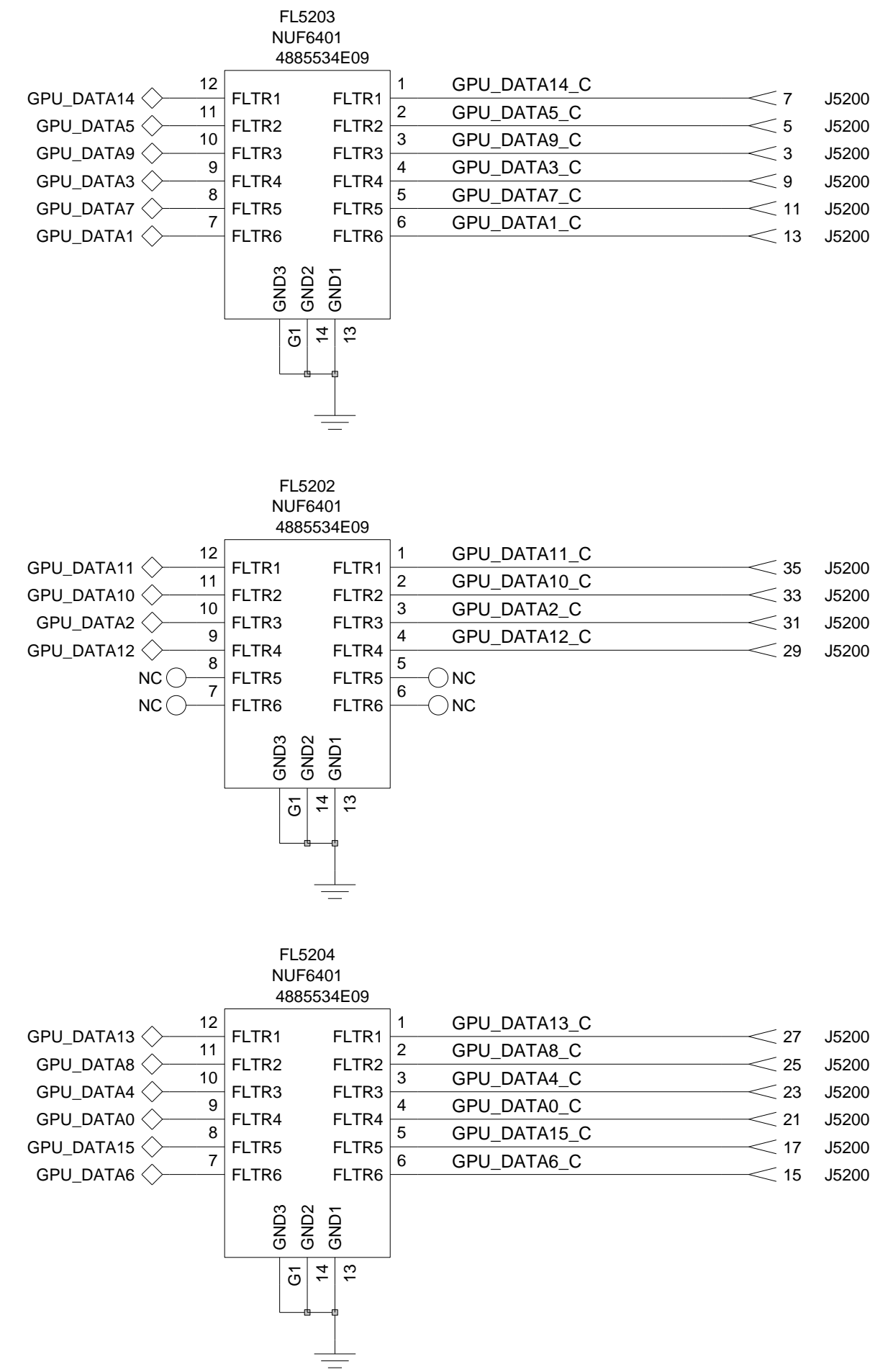
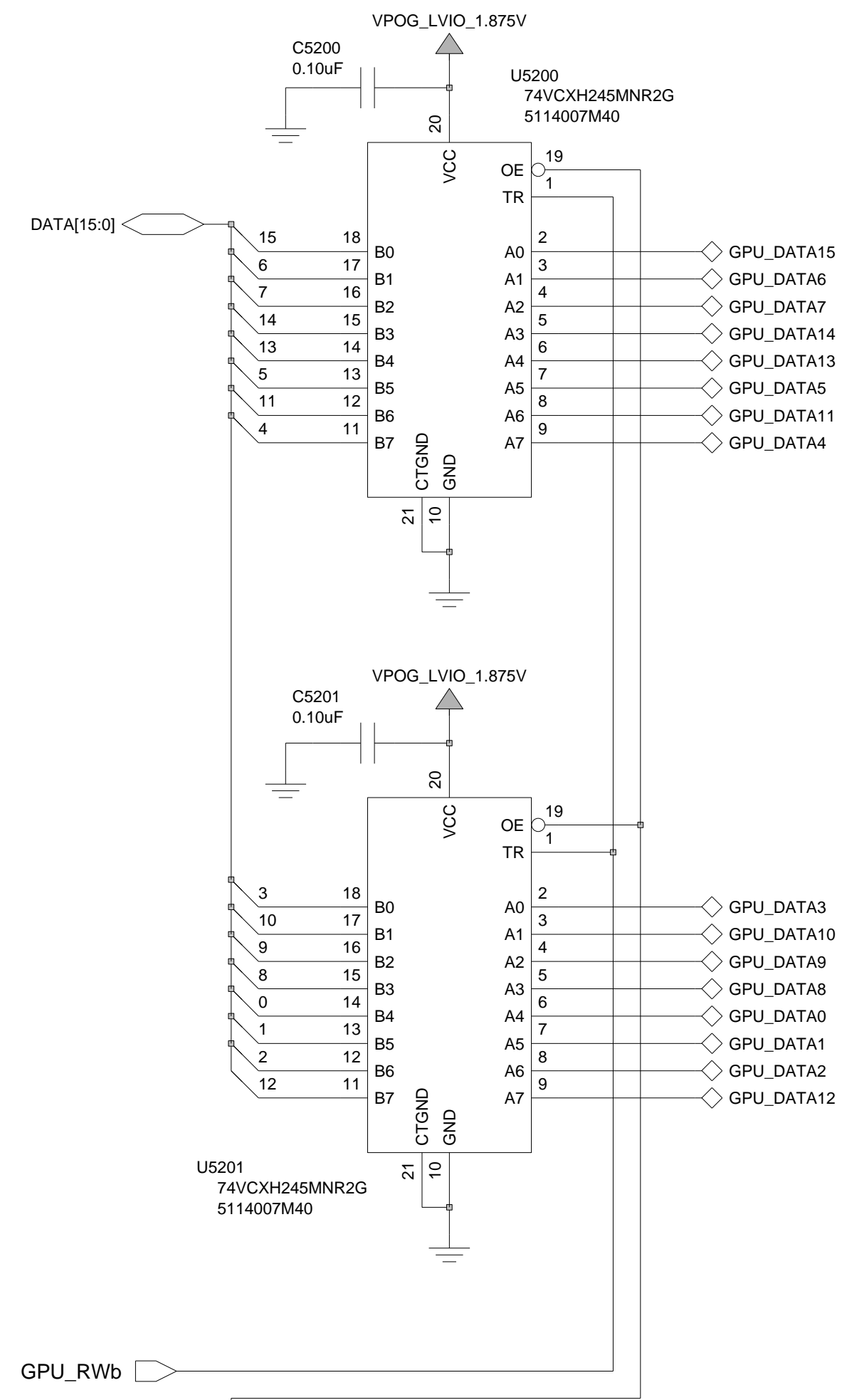
Engineer:	TITLE: TARAZED			Size:
Drawn by:	REV: P4			Of: 20
R&D CHK:	Drawing Number:			Page: 17
DOC CTRL CHK:	Date: 20th July 2005			Time: 5:25:05 pm
MFG CTRL CHK:	QA CHK:			Changed by: ARC127
QA CHK:		REV: P4	Drawing Number:	Page: 17
Changed by: ARC127		Date: 20th July 2005	Time: 5:25:05 pm	

A

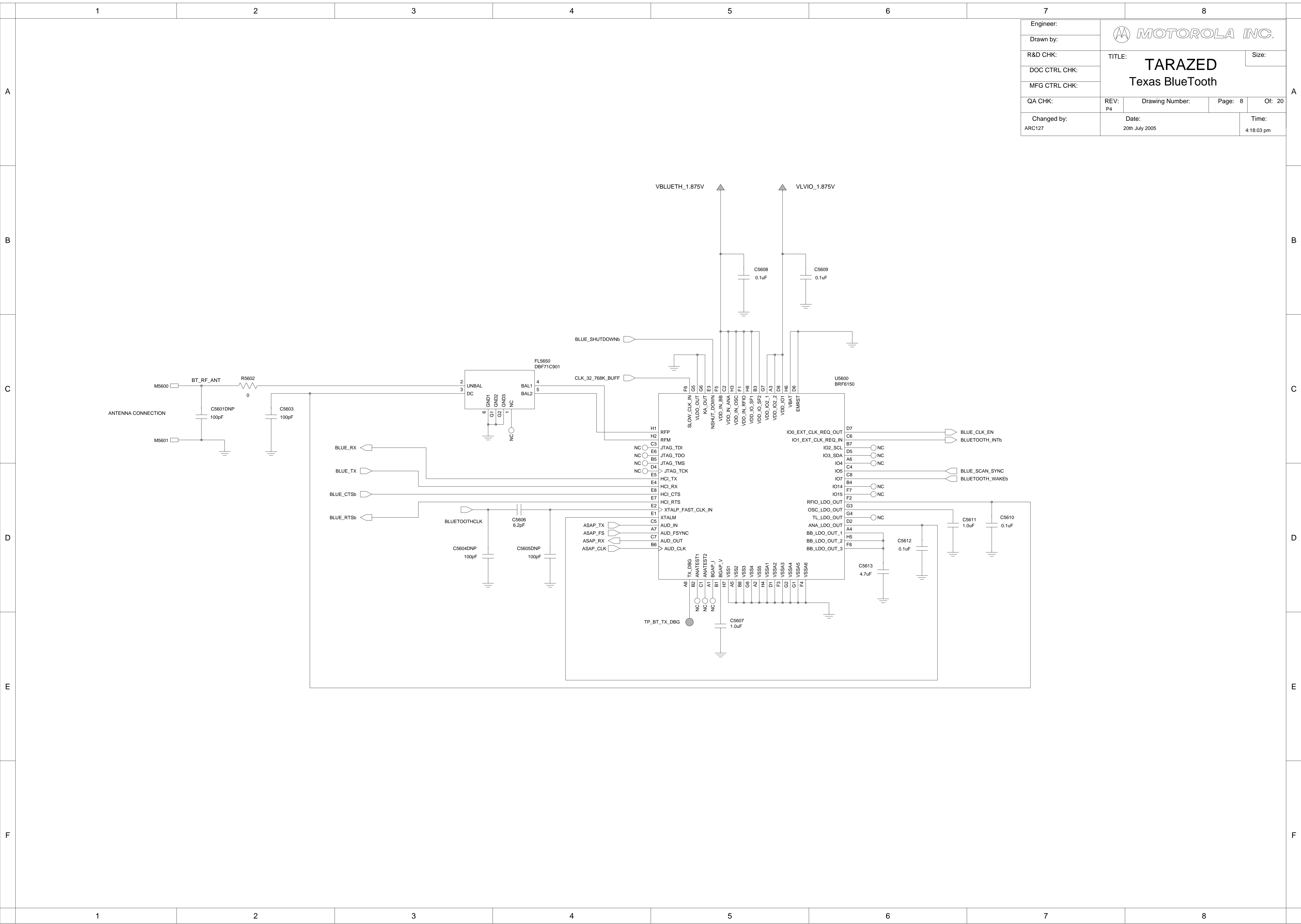
B

C

D



M5200
HINGE FLEX GROUND CONTACT



Engineer:	MOTOROLA INC.		
Drawn by:	TITLE: TARAZED Size:		
R&D CHK:	Texas BlueTooth		
DOC CTRL CHK:	REV: P4	Drawing Number:	Page: 8 Of: 20
MFG CTRL CHK:	Changed by: ARC127	Date: 20th July 2005	Time: 4:18:03 pm

A

B

C

D

E

A

B

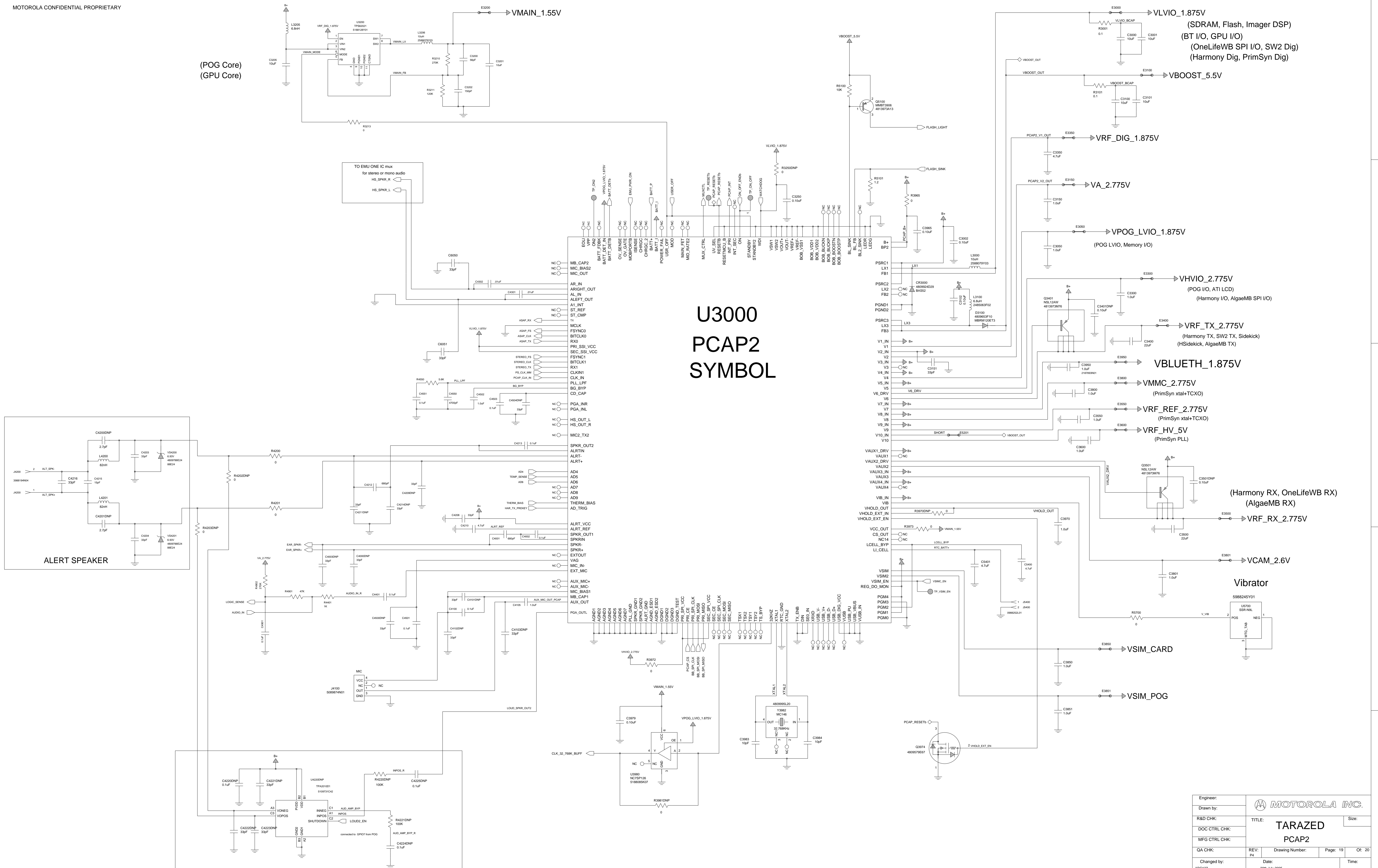
C

D

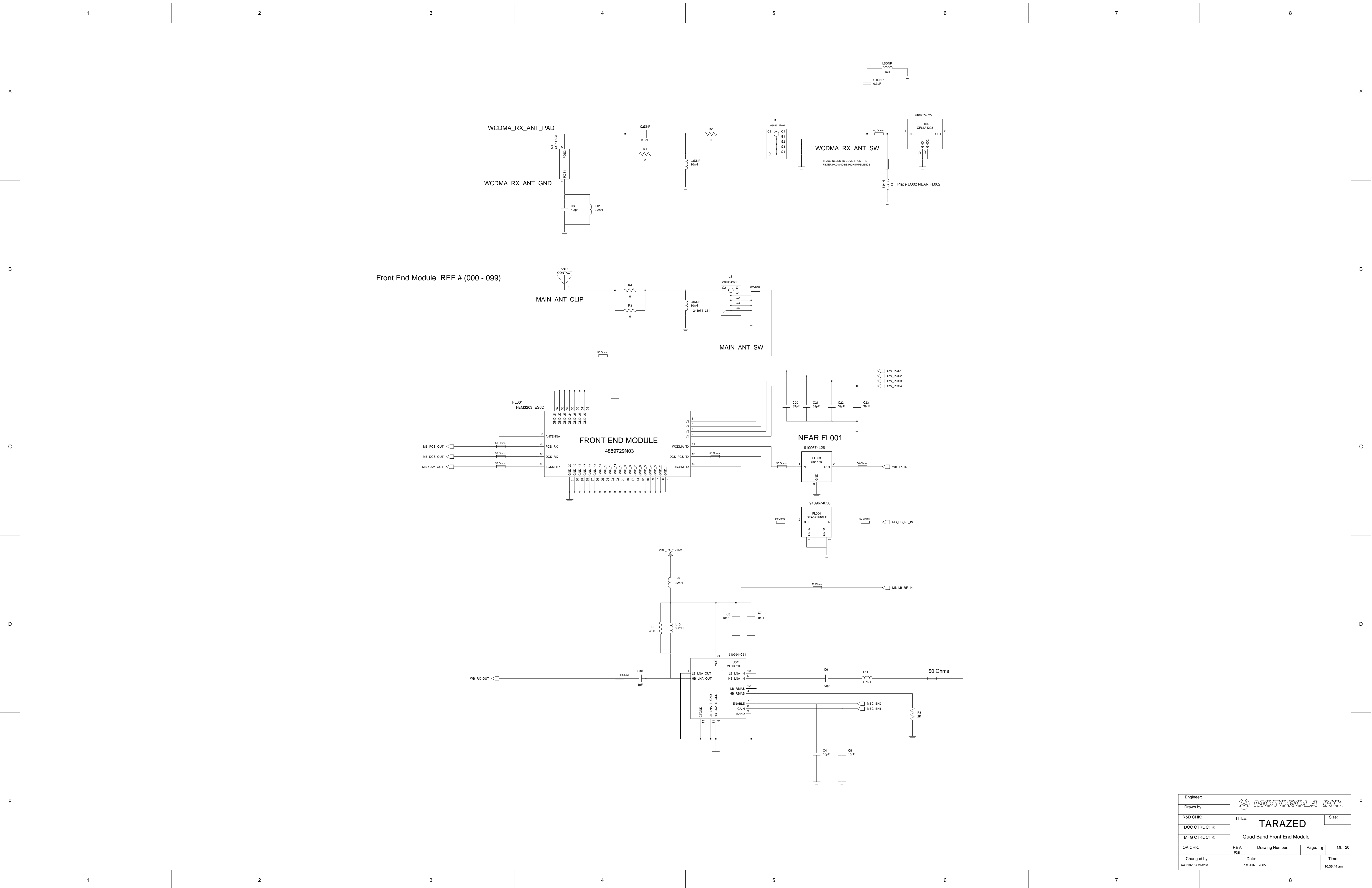
E

(POG Core)
(GPU Core)

U3000
PCAP2
SYMBOL



Engineer:	MOTOROLA INC.		
Drawn by:	TITLE: TARAZED		
R&D CHK:	MFG CTRL CHK:		
DOC CTRL CHK:	REV: P4		
QA CHK:	REV: P4	Drawing Number:	Page: 19 Of: 20
Changed by:	Date:	Time:	
ARC127	20th July 2005	3:23:51 pm	



Front End Module REF # (000 - 099)

Engineer:	MOTOROLA INC.		
Drawn by:	TARAZED	Page:	5
R&D CHK:	DOC CTRL CHK:	MFG CTRL CHK:	QA CHK:
REV: PJB	Date: 1st JUNE 2005	Time: 10:36:44 am	Of: 20

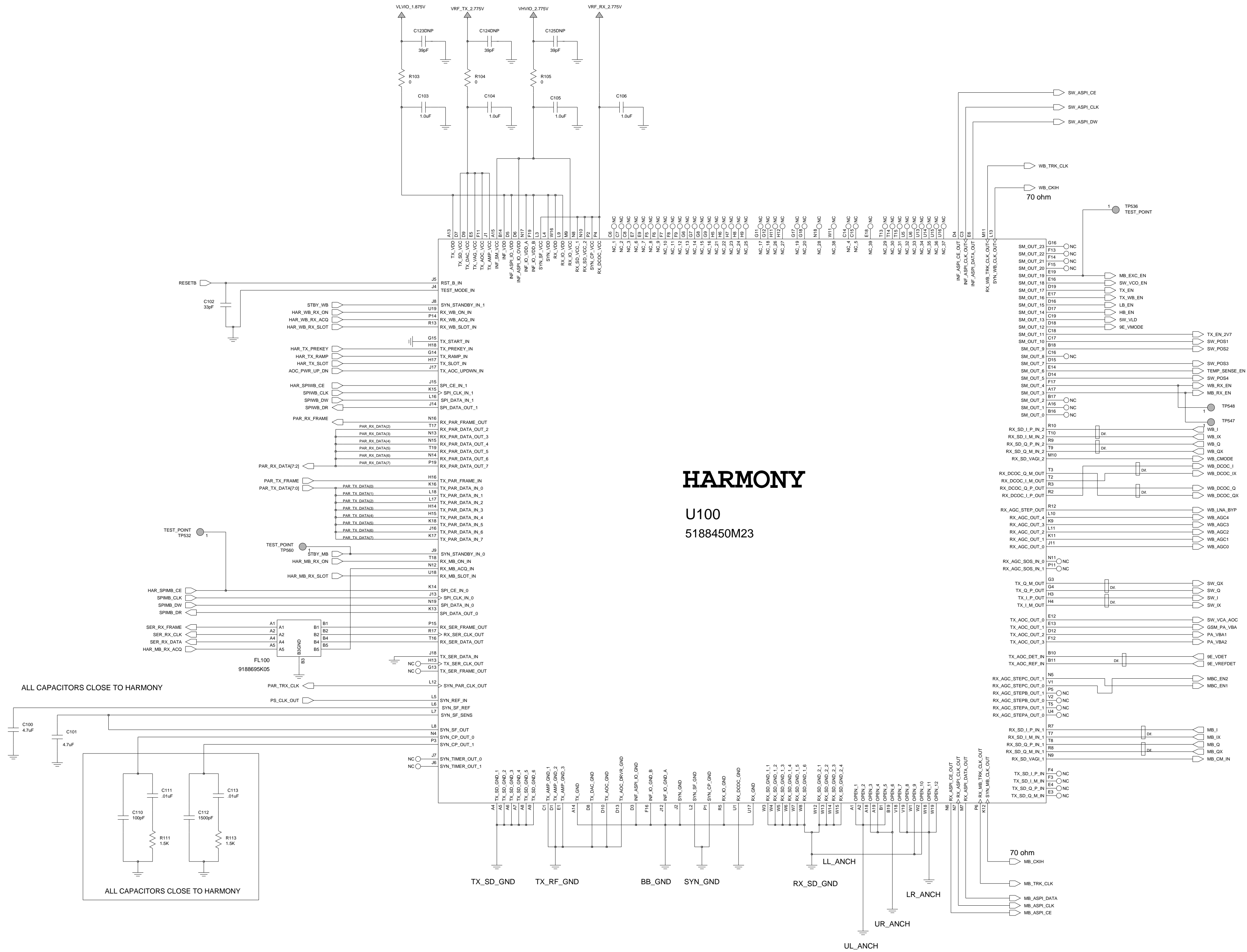
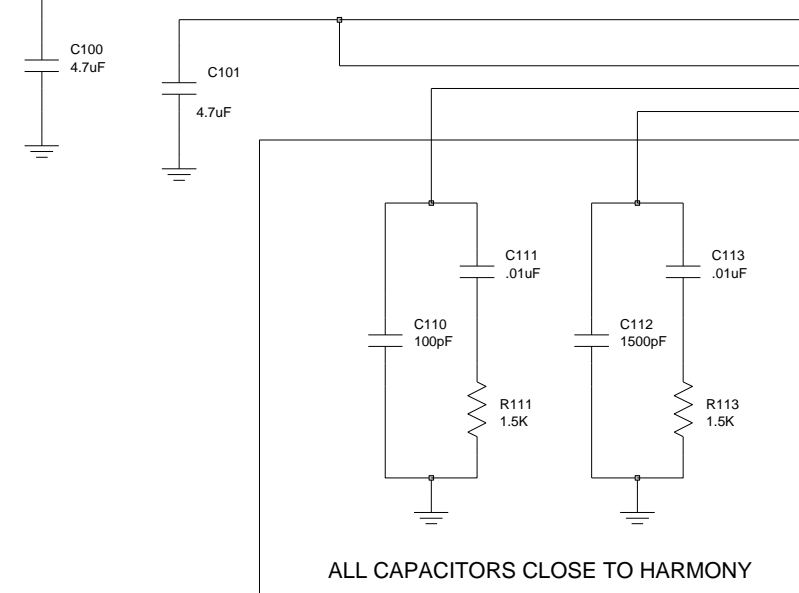
TP placeholders for pins with NC

SYNTHESIS CAPACITORS CLOSE TO HARMONY

SUPPLIES INTERCONNECTIONS FAR FROM HARMONY

ALL CAPACITORS CLOSE TO HARMONY

HARMONY
U100
5188450M23



Engineer:	MOTOROLA INC.		
Drawn by:	TARAZED	Size:	
R&D CHK:	DOC CTRL CHK:	MFG CTRL CHK:	
QA CHK:	REV: P4	Drawing Number:	Page: 6 Of: 20
Changed by: ARC127	Date: 30th May 2005	Time: 3:07:48 pm	

GSM/DCS/PCS and WCDMA Transmitters

GSM/DCS/PCS PA REF# (800 - 829)

TX_RATTLER_MODULE

WCDMA PA REF # (400 - 499)

Temp Sensor REF # (880 - 889)

Engineer:	MOTOROLA INC.			
Drawn by:				
R&D CHK:	TITLE:	TARAZED	Size:	
DOC CTRL CHK:	TRANSITTER			
MFG CTRL CHK:	REV:	P4	Page:	4
QA CHK:	REV:	P4	Page:	4
Changed by:	Date:	20th July 2005	Time:	1:30:22 pm

