

1

2

3

4

5

MOTOROLA CONFIDENTIAL PROPRIETARY

4 1 3 A

Engineer:  
Roman Chudzik  
Drawn by:  
Roman Chudzik



R&D CHK:

TITLE: keypad\_P0  
C975  
Size: 11x21

DOC CTRL CHK:

MFG CTRL CHK:

QA CHK:

REV: Drawing Number: Page: 1 Of: 1

Changed by:

Date: Friday, January 30, 2004  
Time: 5:10:50 pm

A

B

C

D

Engineer:  
Roman Chudzik  
Drawn by:  
Roman Chudzik  
R&D CHK:  
DOC CTRL CHK:  
MFG CTRL CHK:  
QA CHK:



TITLE: 8403673B01\_P0  
C975 keypad board  
Size: 11x17

REV: 0 Drawing Number: Page: 1 Of: 1

Changed by: Date: Tuesday, February 3, 2004 Time: 11:39:27 am

TARAZED KEYPAD BOARD

P0\_1  
Simone Pernice  
Copied from Pictor P0\_5 keyboard schematics and modified  
2/09/2005

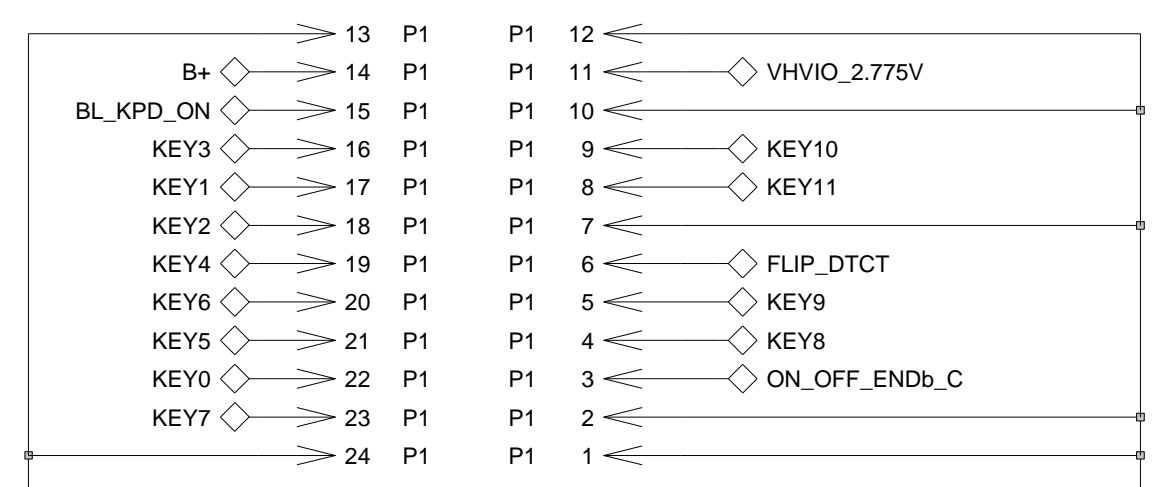
1

2

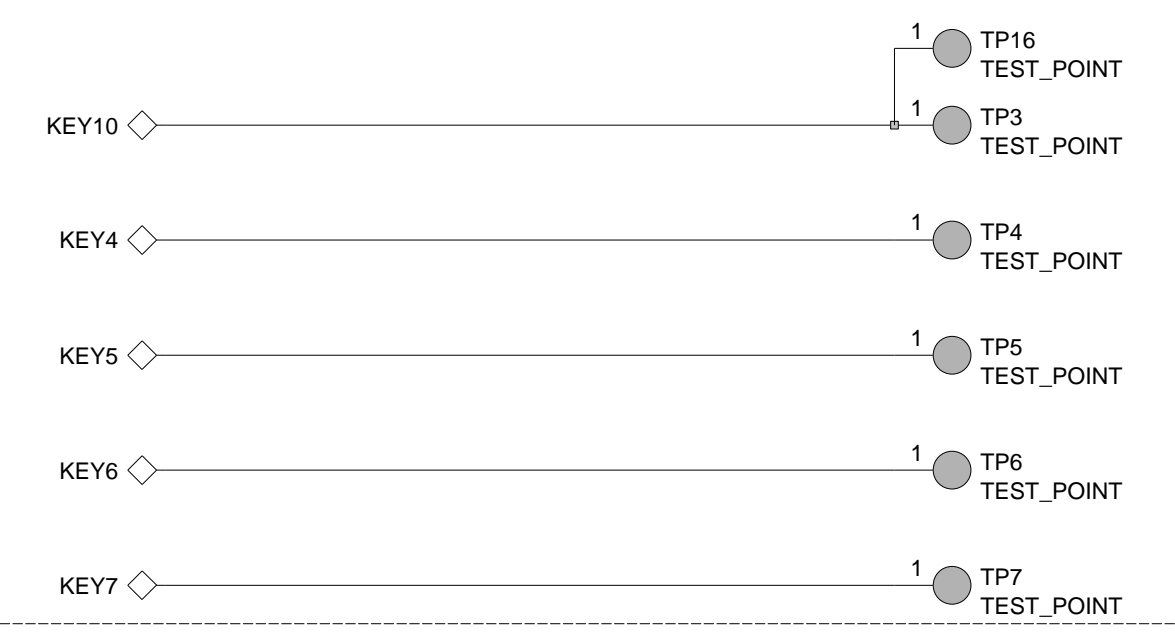
3

4

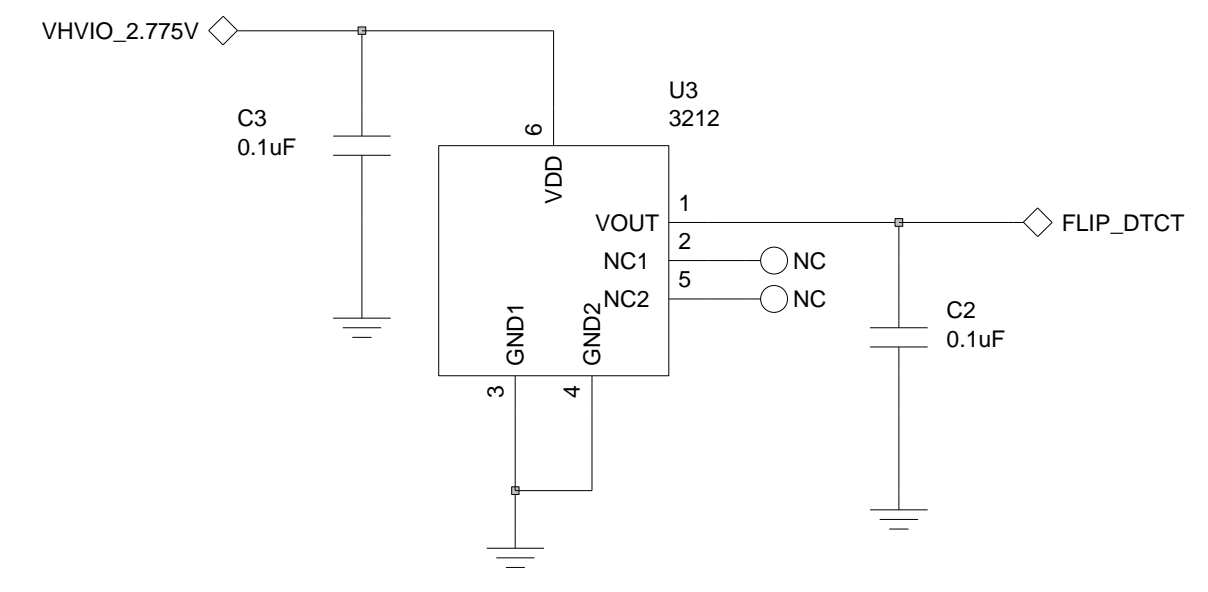
Keypad Connector



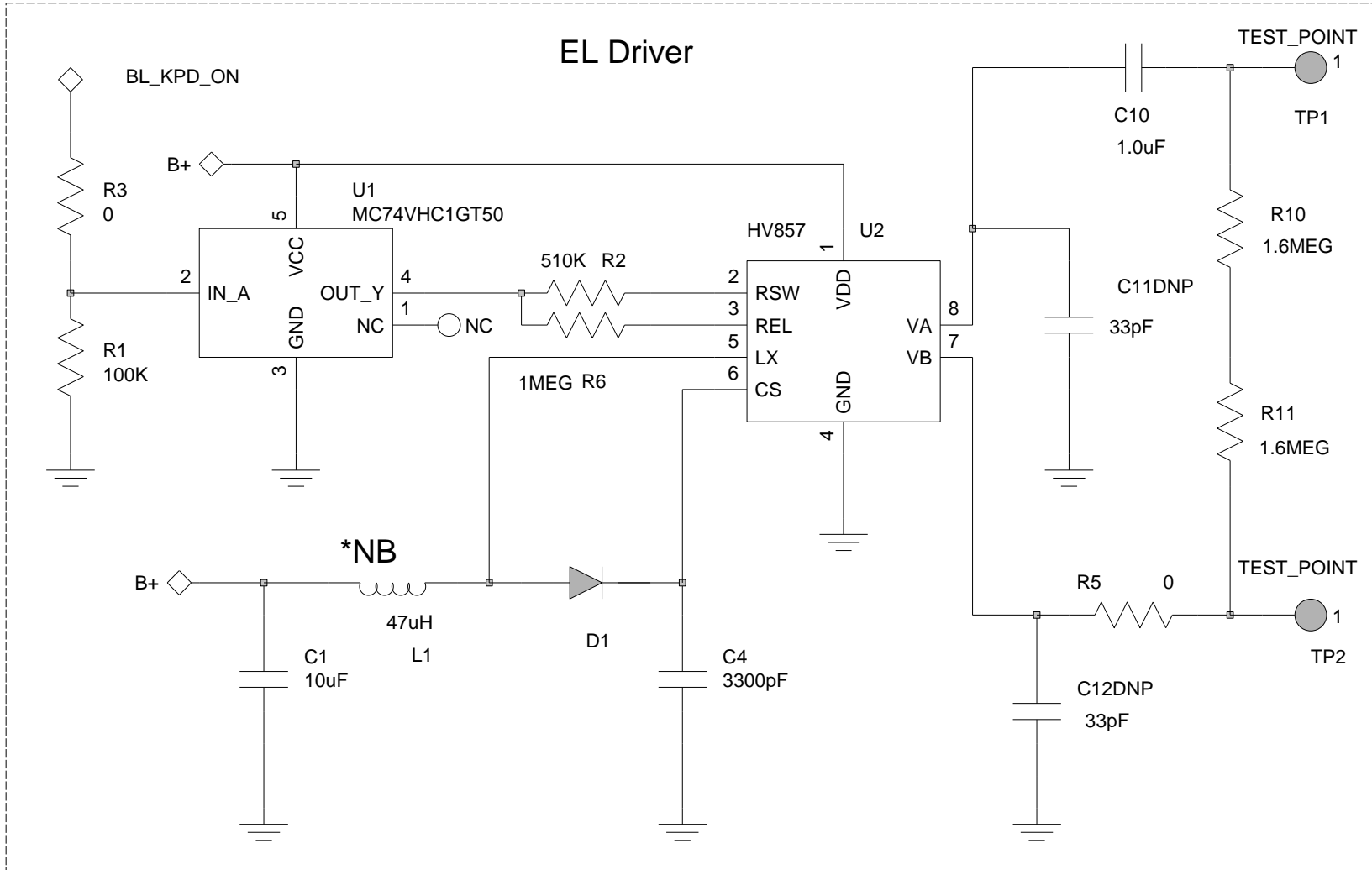
Side Keys Connections



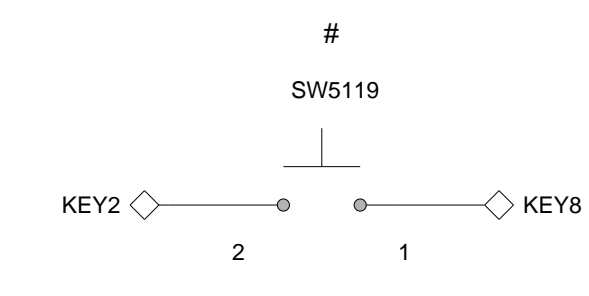
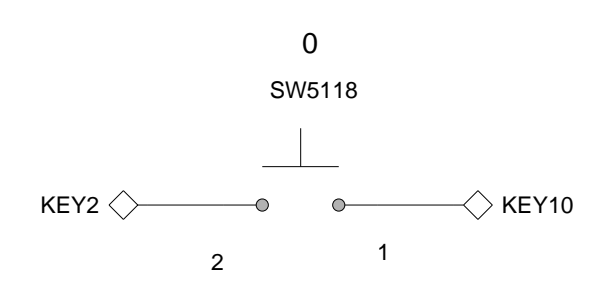
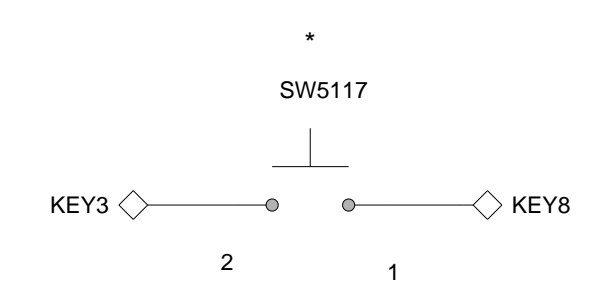
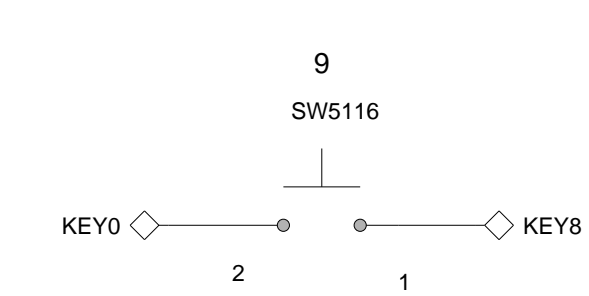
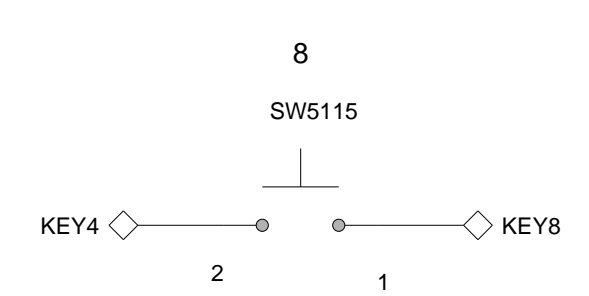
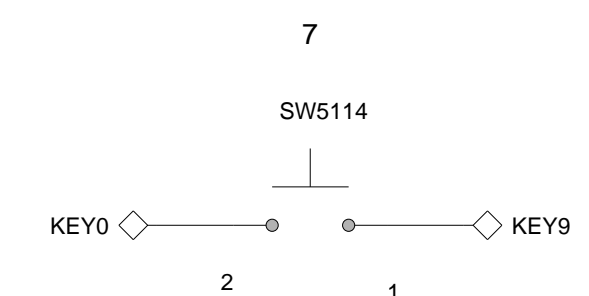
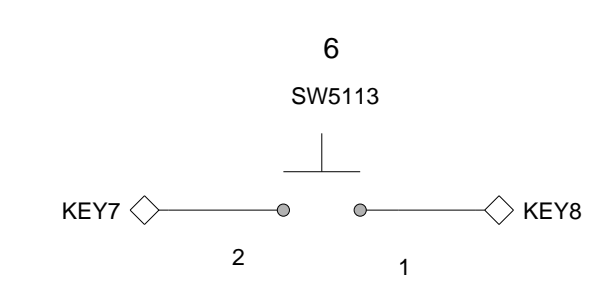
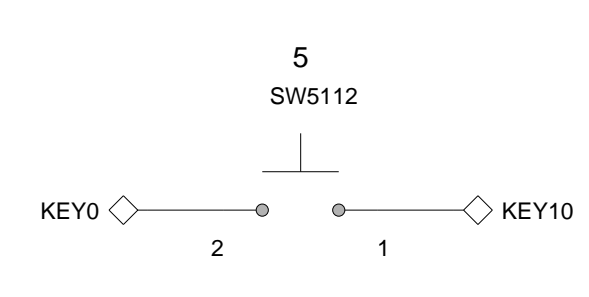
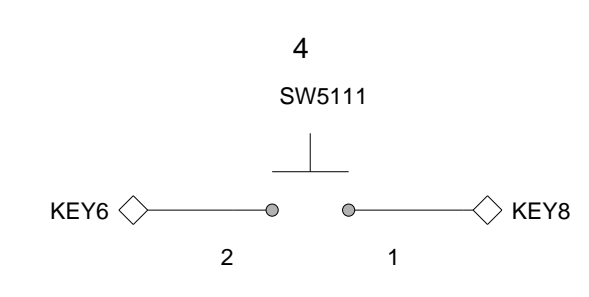
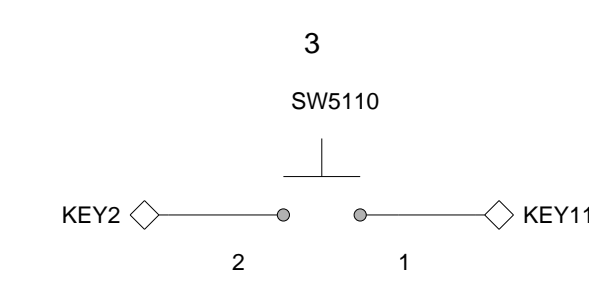
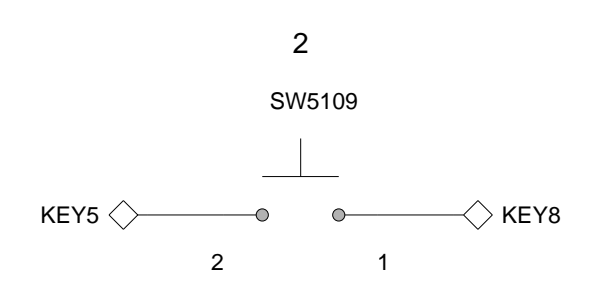
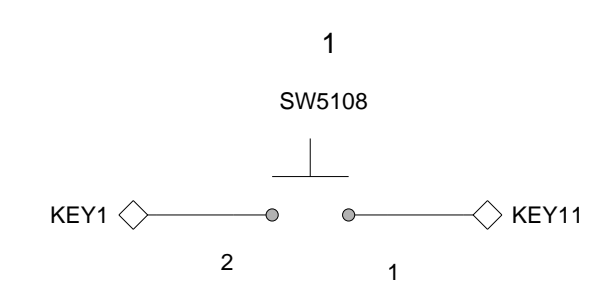
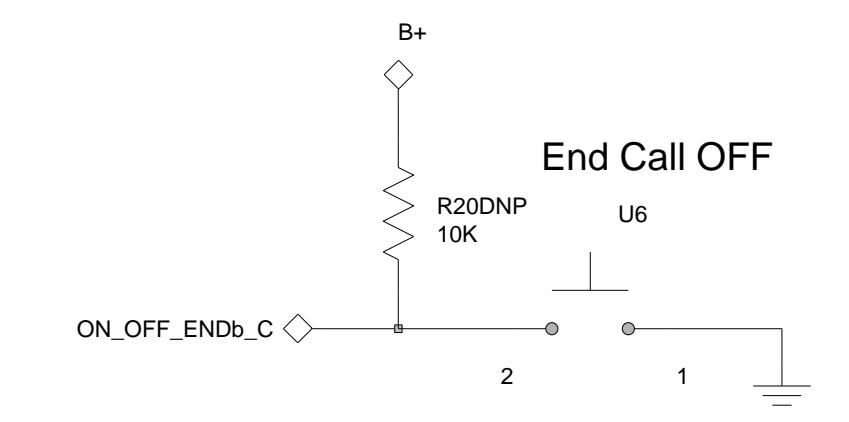
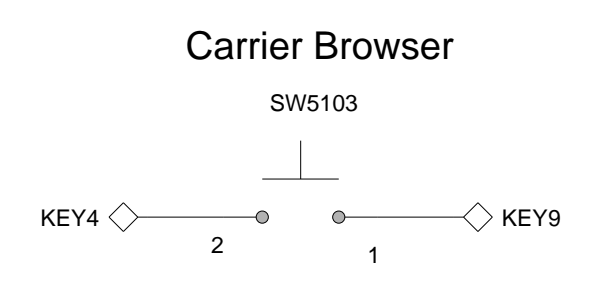
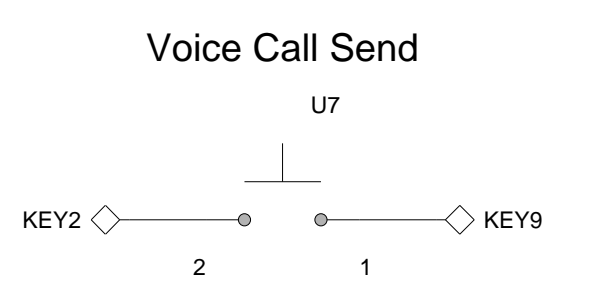
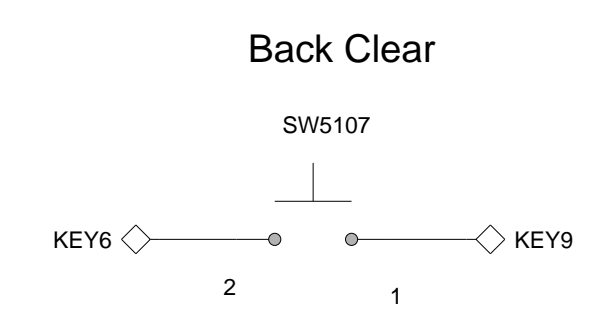
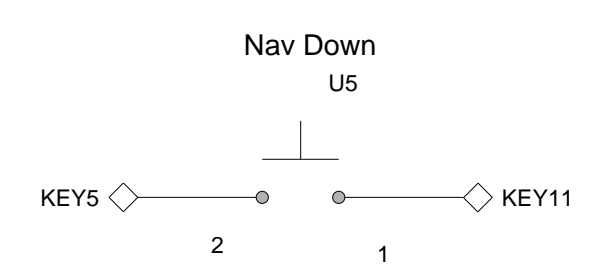
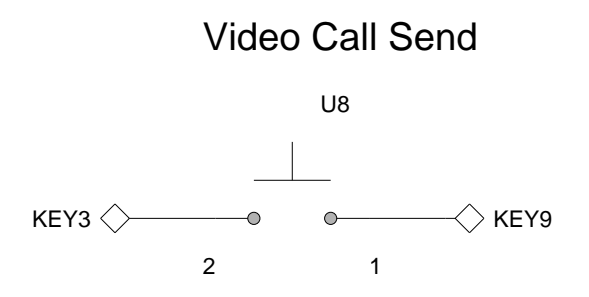
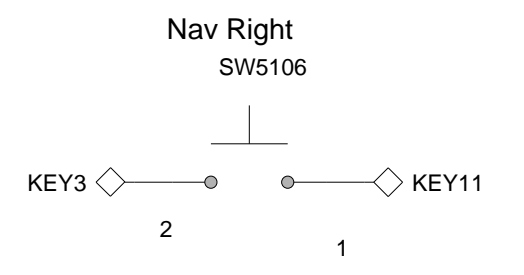
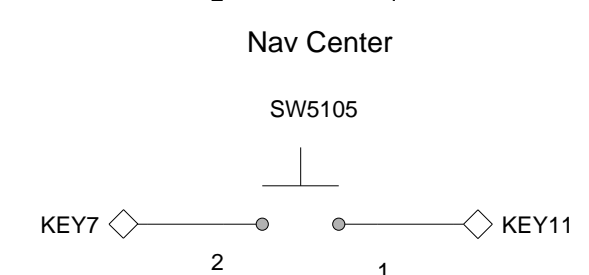
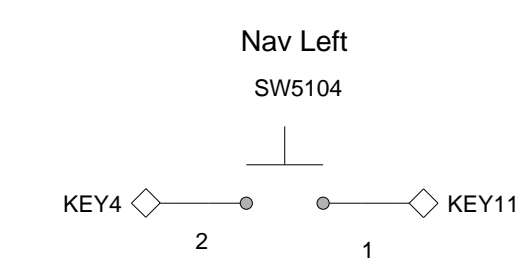
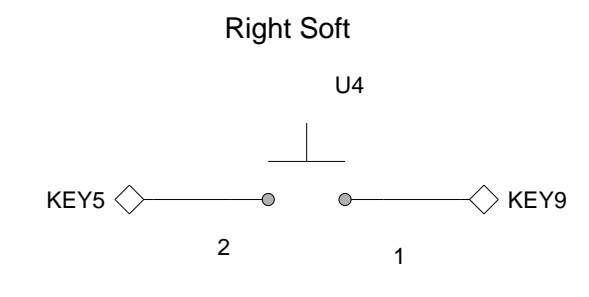
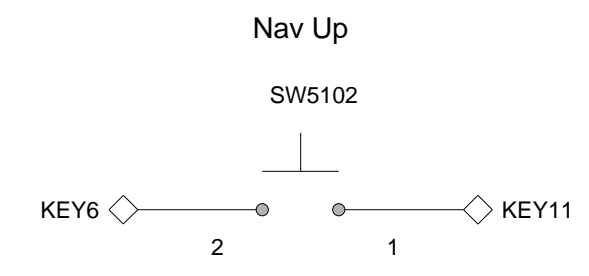
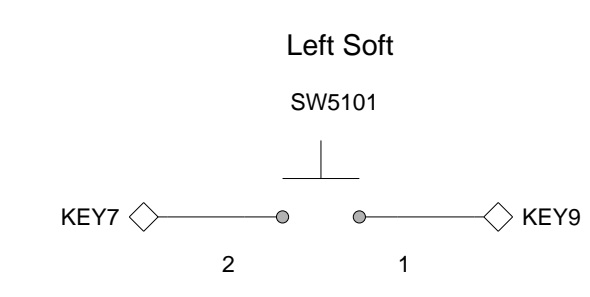
Flip Hall Sensor



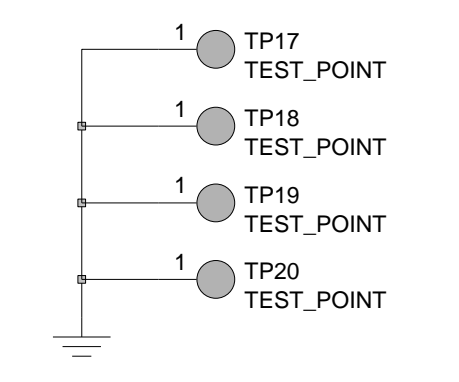
EL Driver



\* NB: L1 will be replaced by new part no (220uH, same geometry)



4 GROUND CONNECTIONS



4 ANTENNA CONNECTIONS

