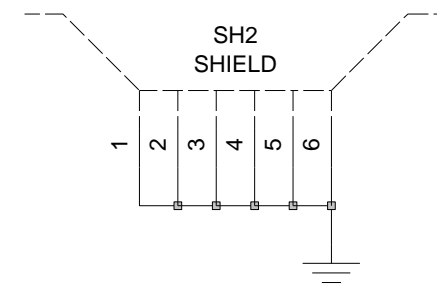
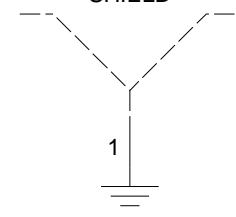


SHIELDS

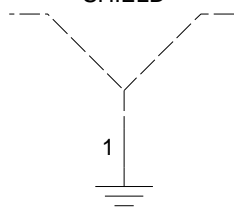
BLUETOOTH



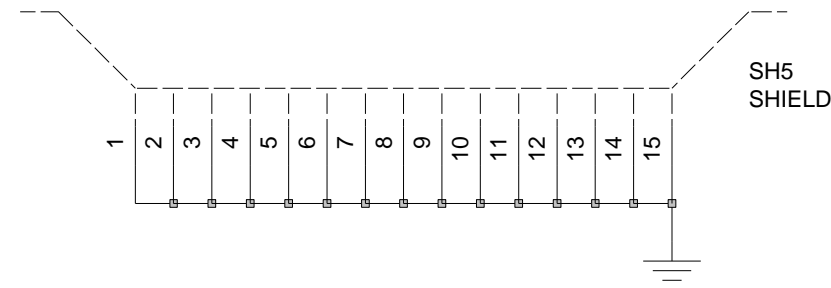
PCAP



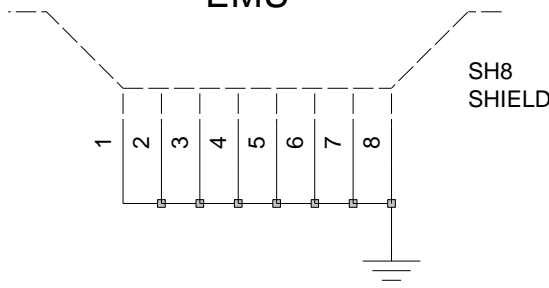
POG



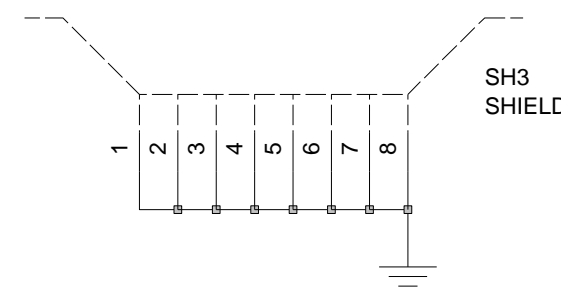
BLUE



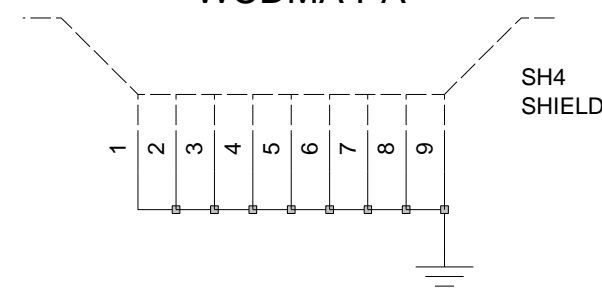
EMU



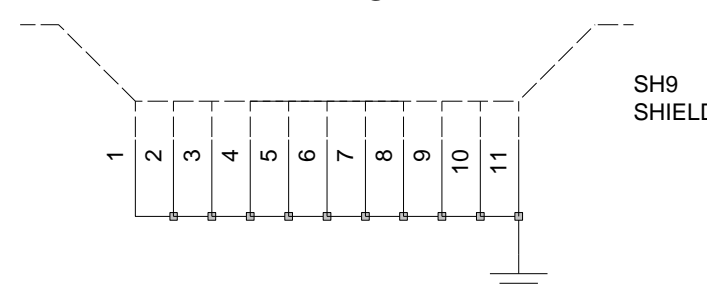
FEM



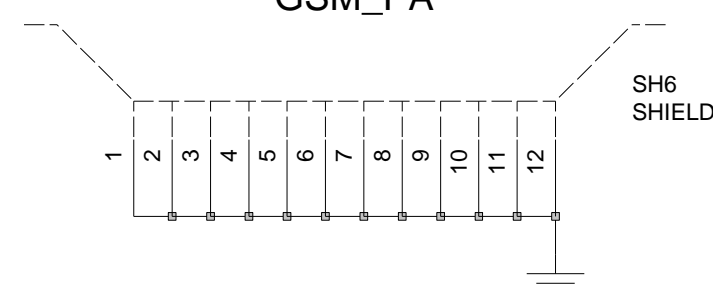
WCDMA PA



HARMONY

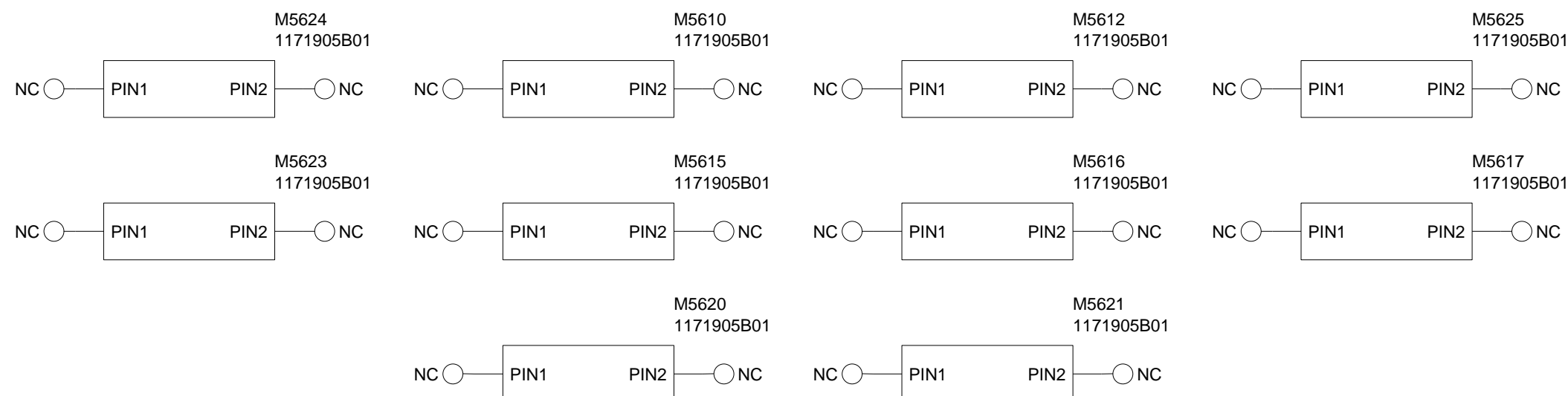


GSM_PA

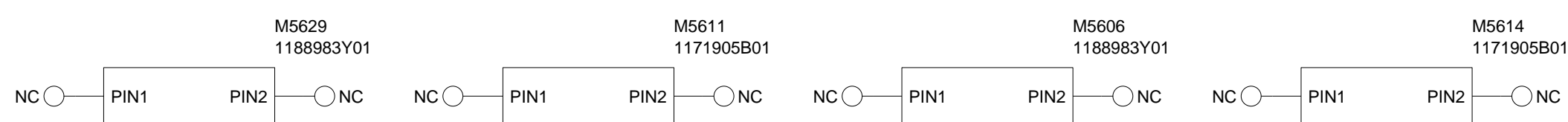


UNDERFILMS

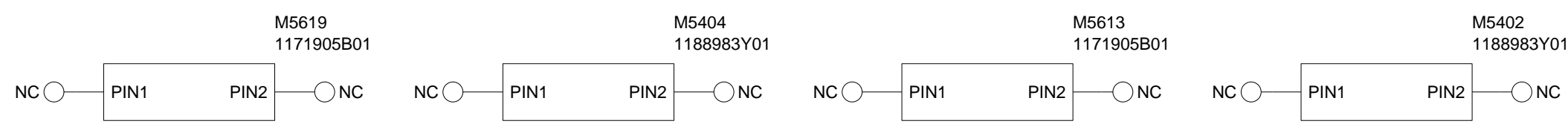
POG U1000



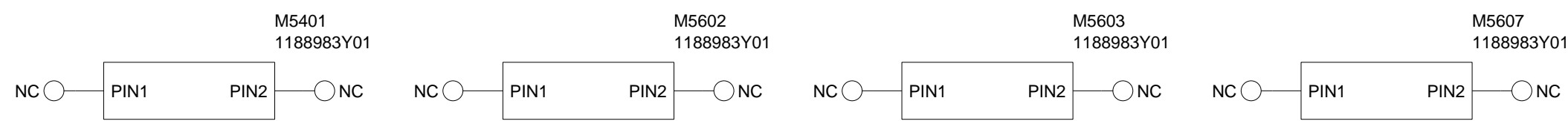
FLASH U1300



SDRAM/MDOC U1500

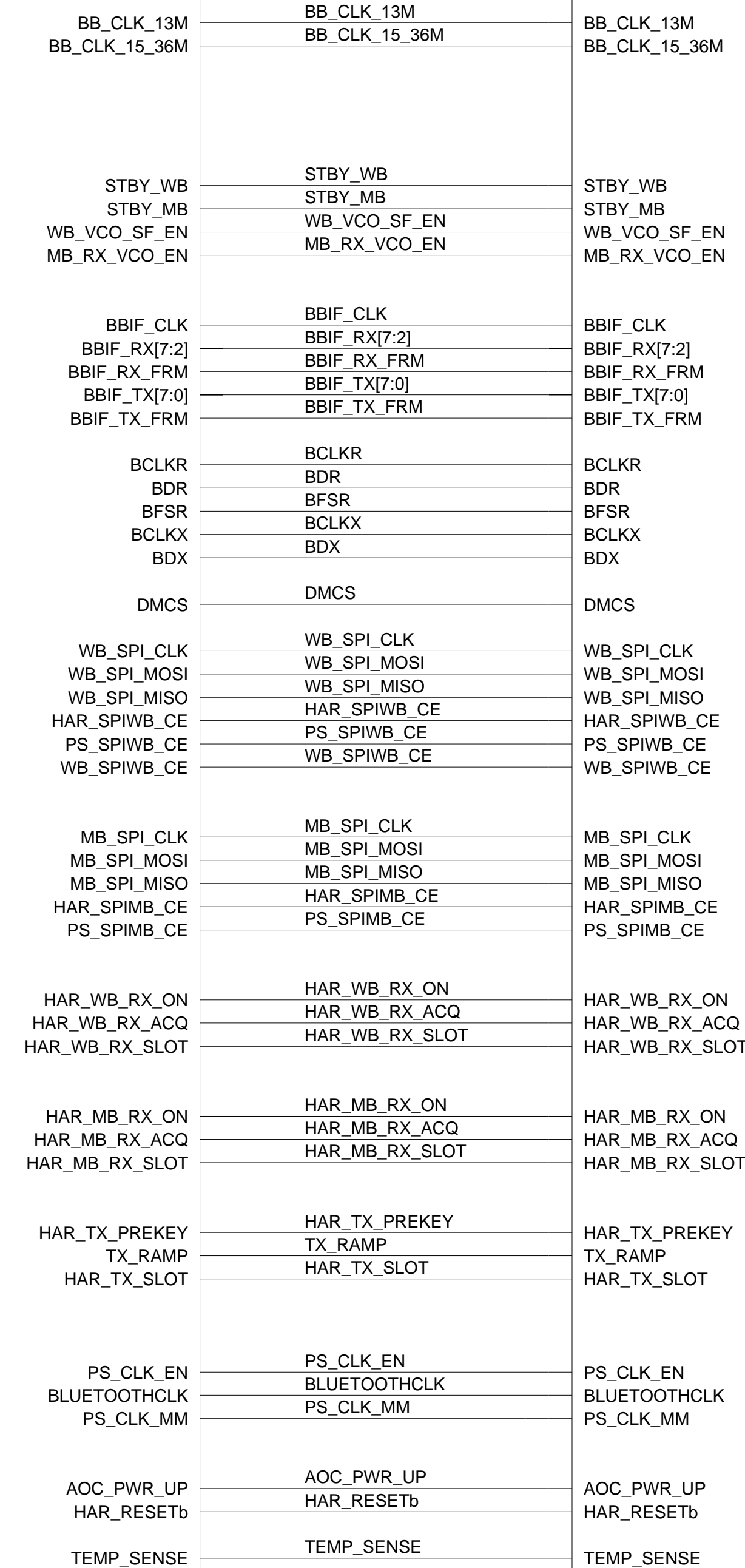


HARMONY U100

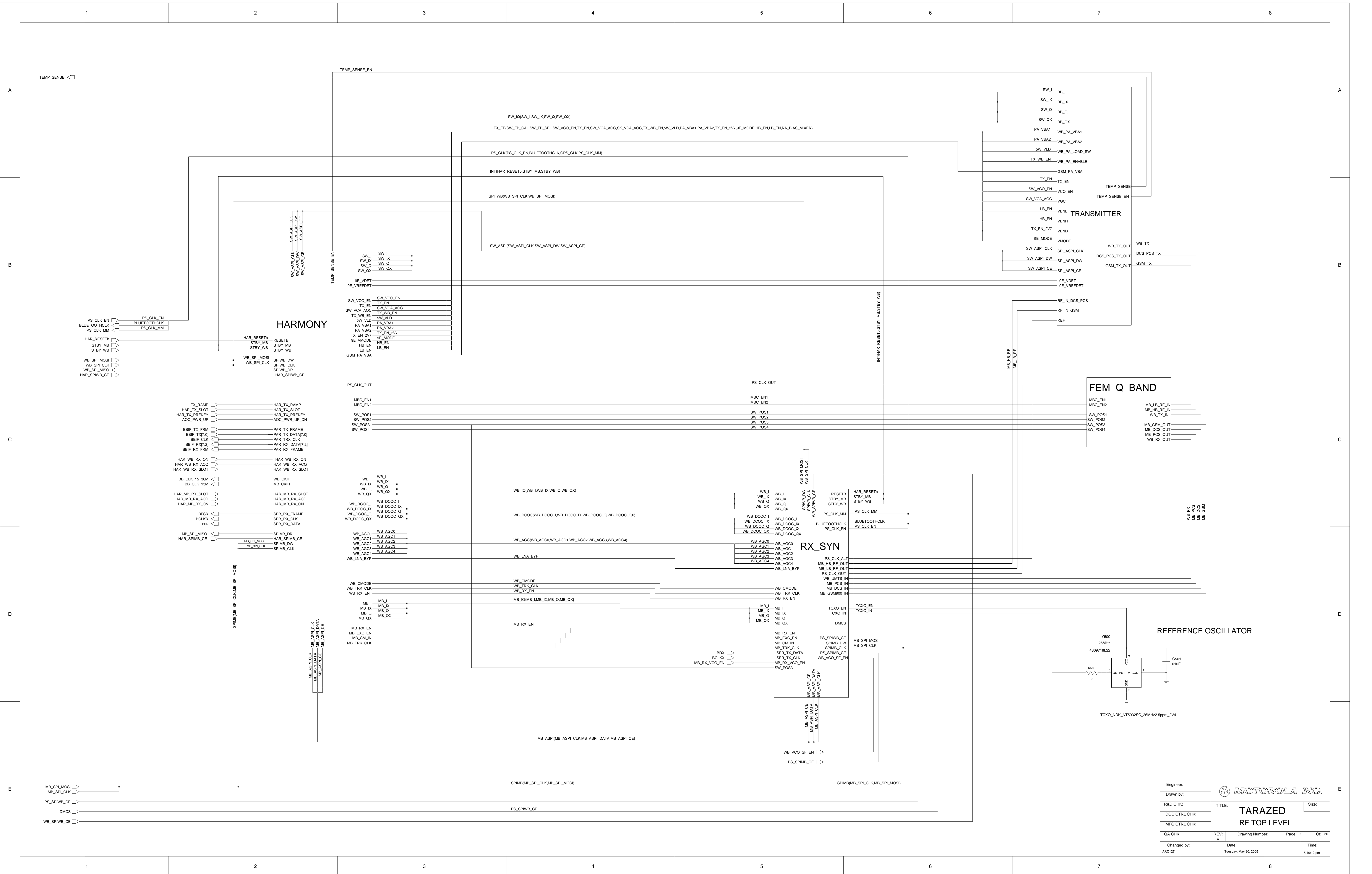


BB

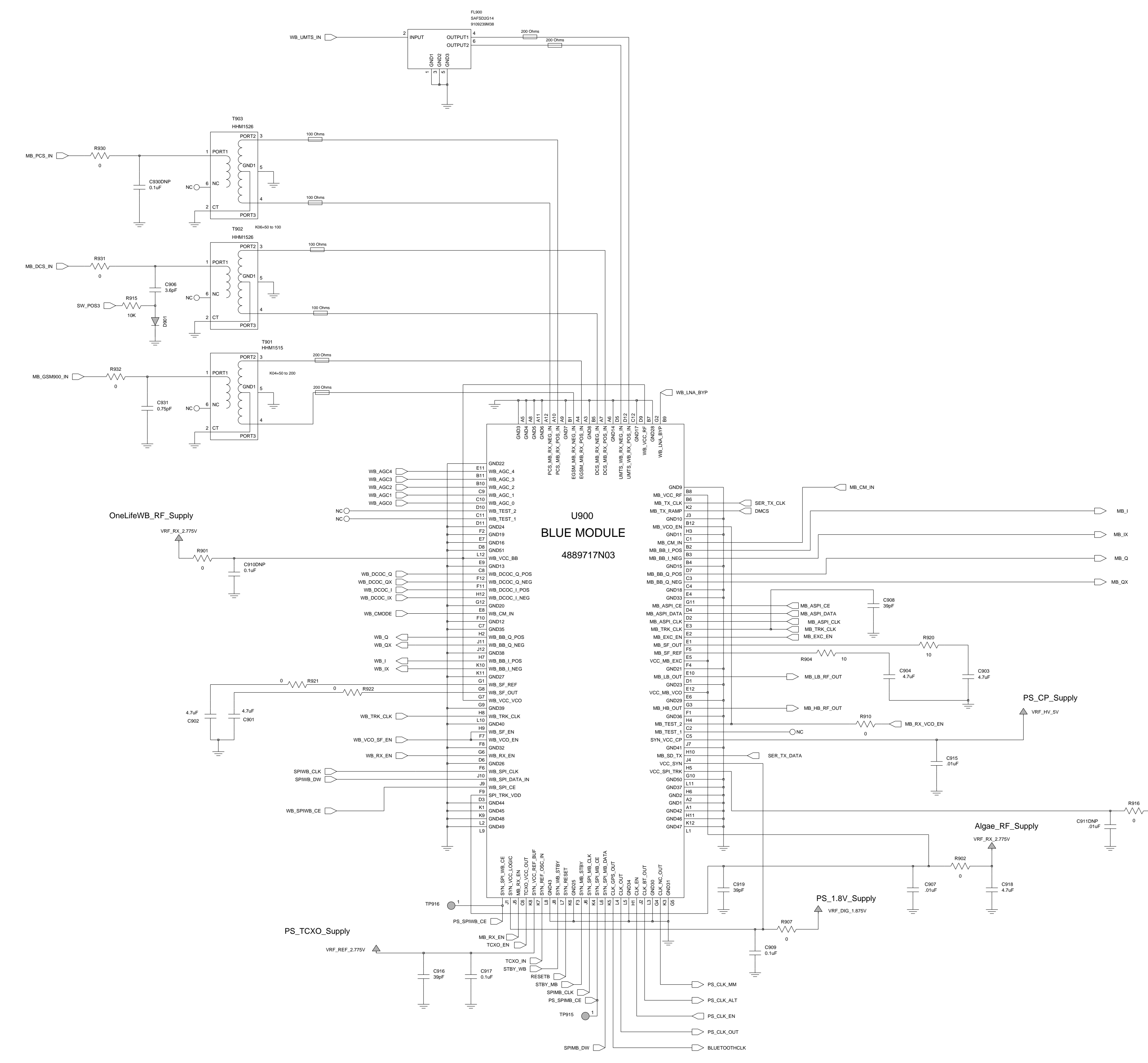
RF



| | | | | |
|--|-----------------------|--|--|---------------------|
| Engineer: Roger Callister | TITLE: TARAZED | | | Size: 11x17 |
| Drawn by: | REV: A | | | Page: 1 |
| R&D CHK: | Drawing Number: | | | Of: 20 |
| DOC CTRL CHK: | Date: 6th Sep 2005 | | | Time: 2:31:07 pm |
| MFG CTRL CHK: | Time: | | | |
| QA CHK: | Date: | | | Time: |
| Changed by: ARC127 | Date: 6th Sep 2005 | | | Time: 2:31:07 pm |
| FOR LATEST DESIGN INFORMATION REFER TO TEAMCENTRE | | | | |



| | | | |
|---------------|-----------------------|-----------------|----------------|
| Engineer: | MOTOROLA INC. | | |
| Drawn by: | TITILE: | Size: | |
| R&D CHK: | TARAZED | | |
| DOC CTRL CHK: | RF TOP LEVEL | | |
| MFG CTRL CHK: | REV: A | Drawing Number: | Page: 2 Of: 20 |
| QA CHK: | Date: | Time: | |
| Changed by: | Tuesday, May 30, 2005 | | 5:48:12 pm |



| | | | |
|----------------------------|--------------------|------------------|---------|
| Engineer: | MOTOROLA INC. | | |
| Drawn by: | TARAZED | | |
| R&D CHK: | DOC CTRL CHK: | MFG CTRL CHK: | QA CHK: |
| REV: A | Drawing Number: | Page: 3 | Of: 20 |
| Changed by: | Date: 6th Sep 2005 | Time: 5:48:12 pm | Size: |
| TITLE: TARAZED BLUE MODULE | | PSWIB_CK | |

GSM/DCS/PCS and WCDMA Transmitters

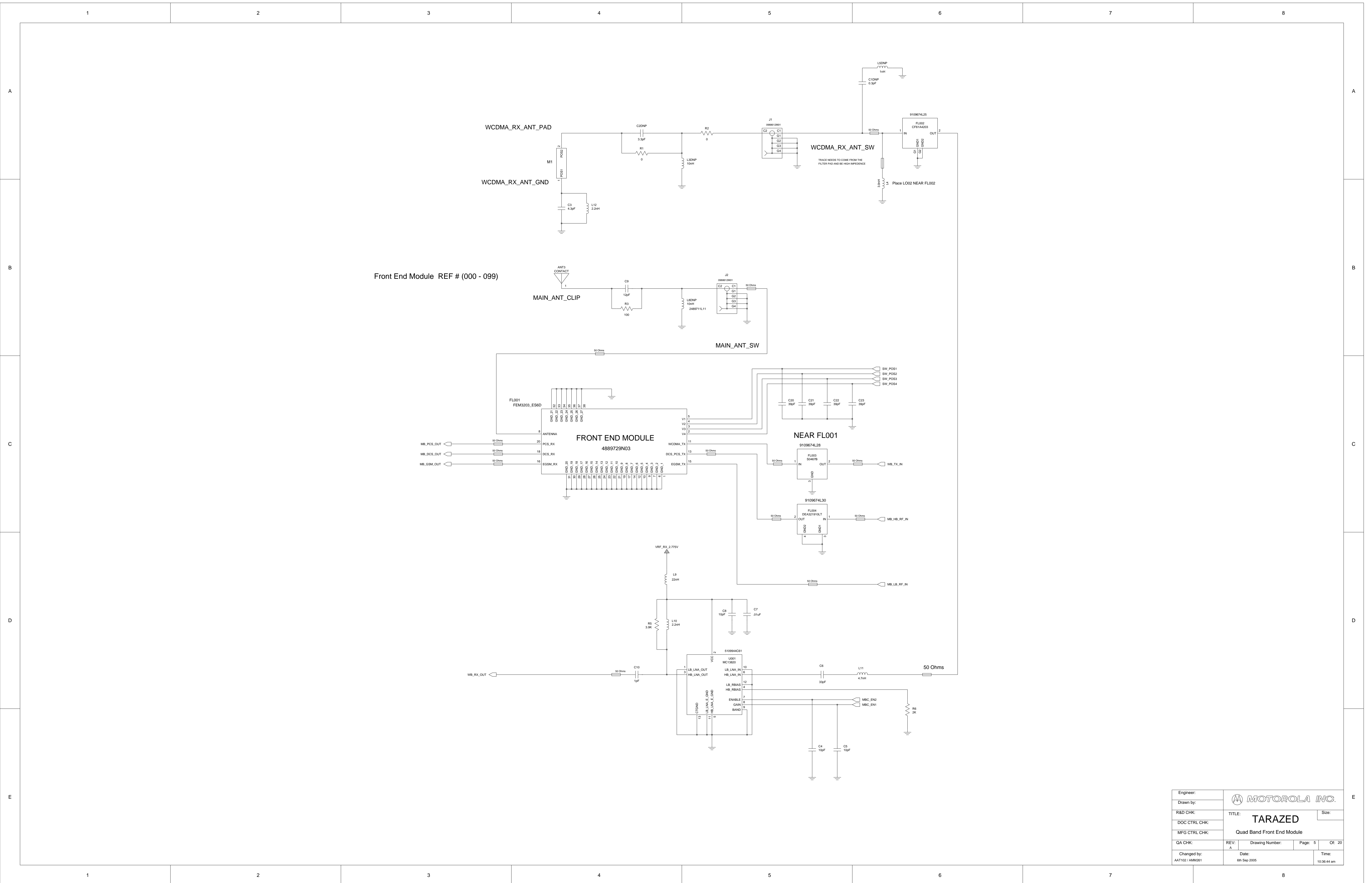
GSM/DCS/PCS PA REF# (800 - 829)

TX_RATTLER_MODULE

WCDMA PA REF # (400 - 499)

Temp Sensor REF # (880 - 889)

| | | | | |
|---------------|---------------|-----------------|---------|------------|
| Engineer: | MOTOROLA INC. | | | |
| Drawn by: | | | | |
| R&D CHK: | TITLE: | TARAZED | | Size: |
| DOC CTRL CHK: | TRANSMITTER | | | |
| MFG CTRL CHK: | REV: | Drawing Number: | Page: 4 | Of: 20 |
| QA CHK: | A | | | |
| Changed by: | Date: | 6th Sep 2005 | | Time: |
| AAT102 | | | | 1:30:22 pm |



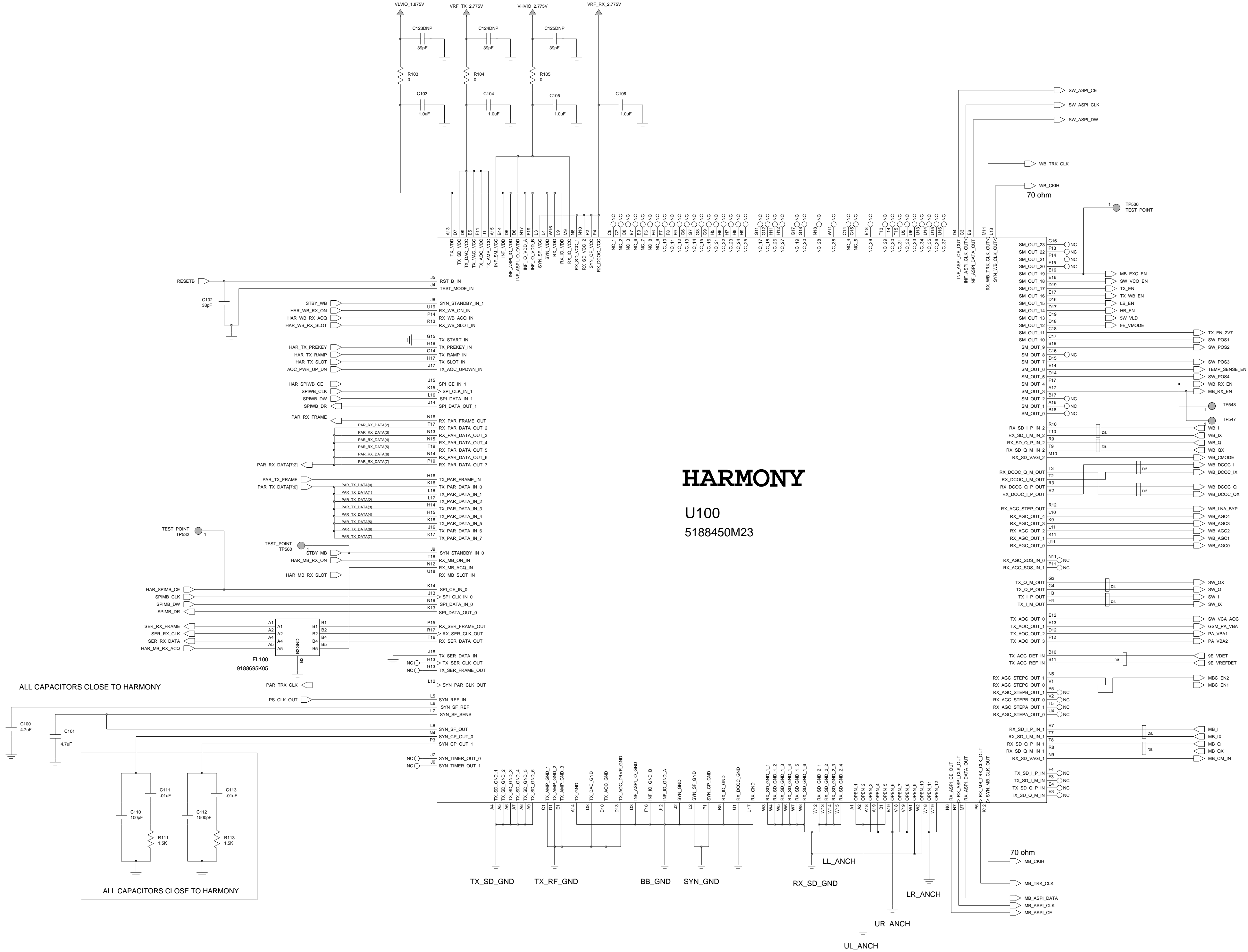
Front End Module REF # (000 - 099)

| | | | |
|-----------|--------------------|-------------------|---------|
| Engineer: | MOTOROLA INC. | | |
| Drawn by: | TARAZED | Page: | 5 |
| R&D CHK: | DOC CTRL CHK: | MFG CTRL CHK: | QA CHK: |
| REV: A | Date: 8th Sep 2005 | Time: 10:36:44 am | Of: 20 |

TP placeholders for pins with NC

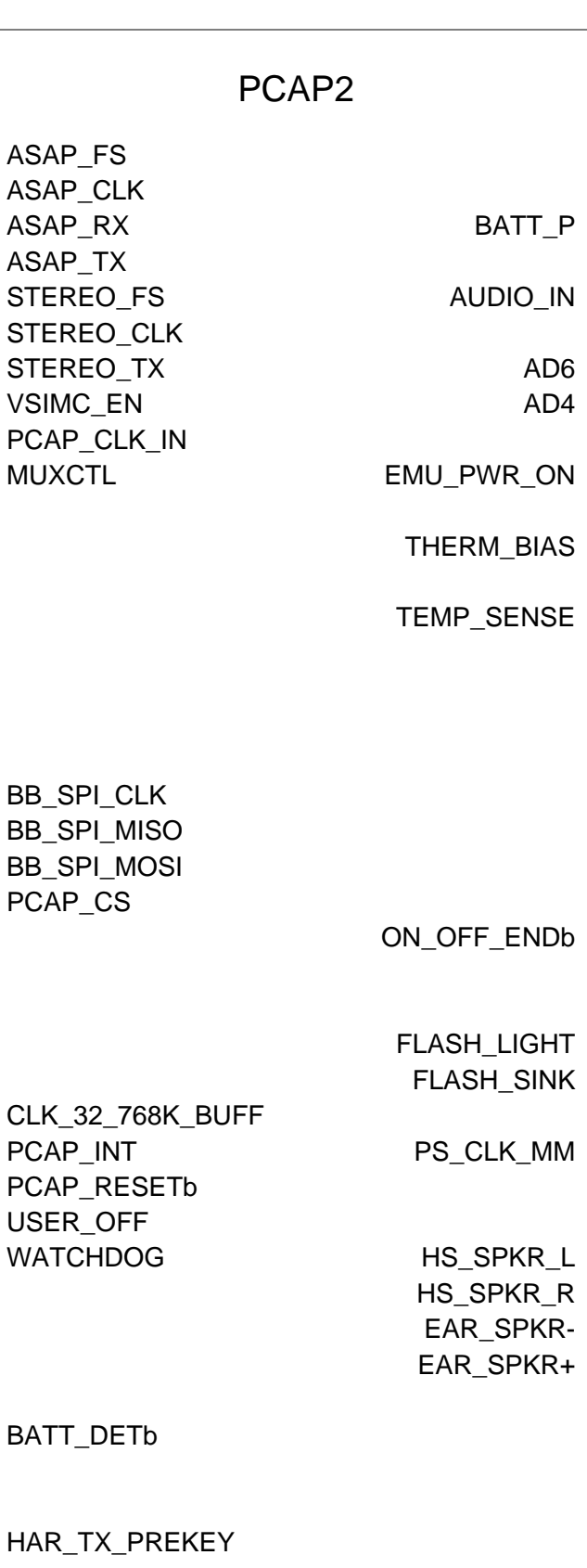
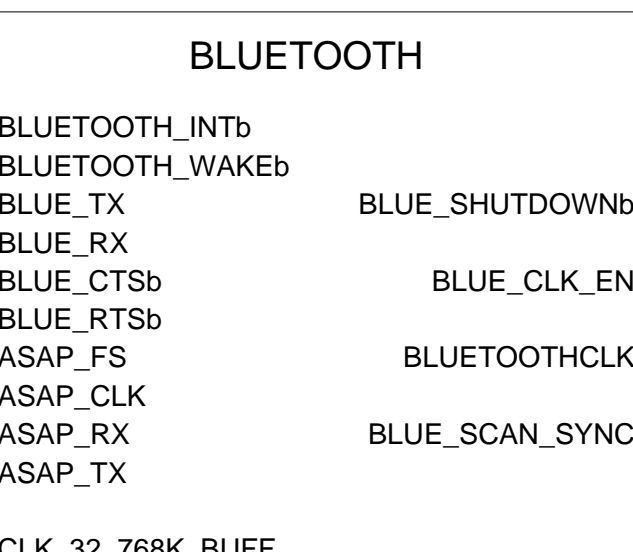
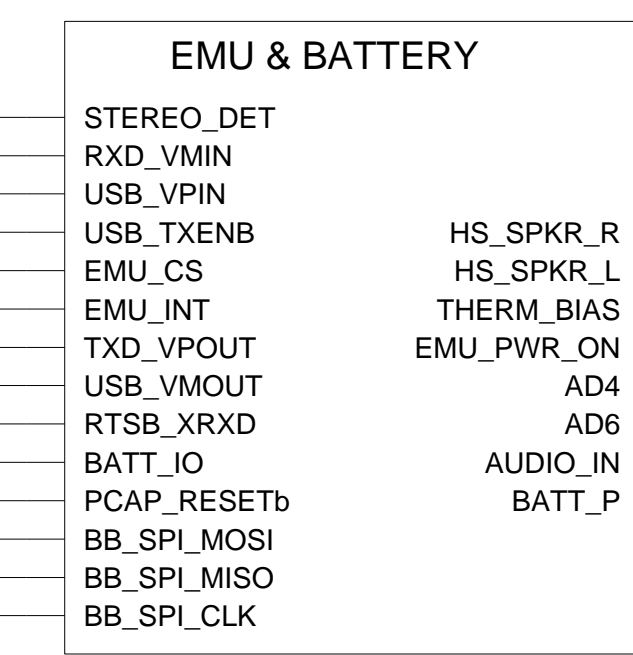
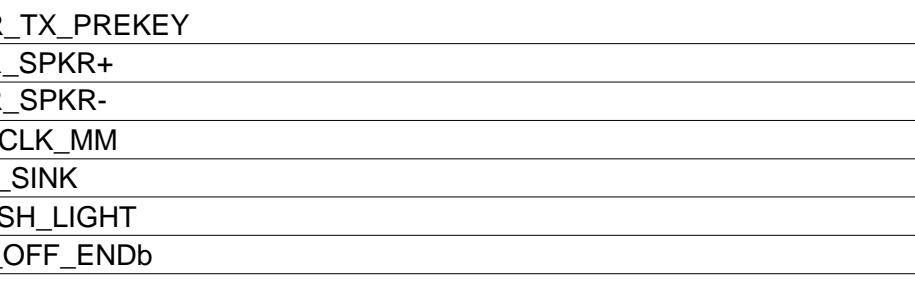
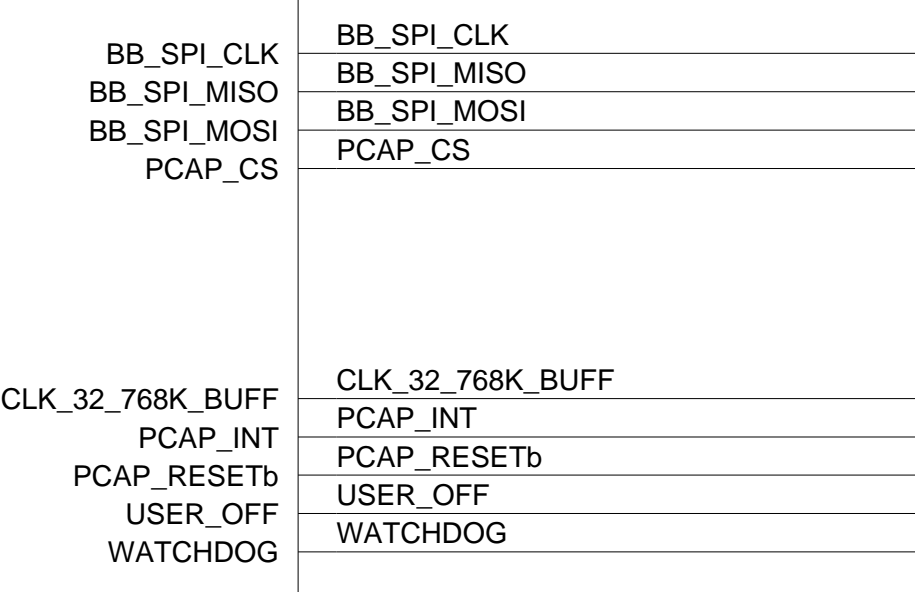
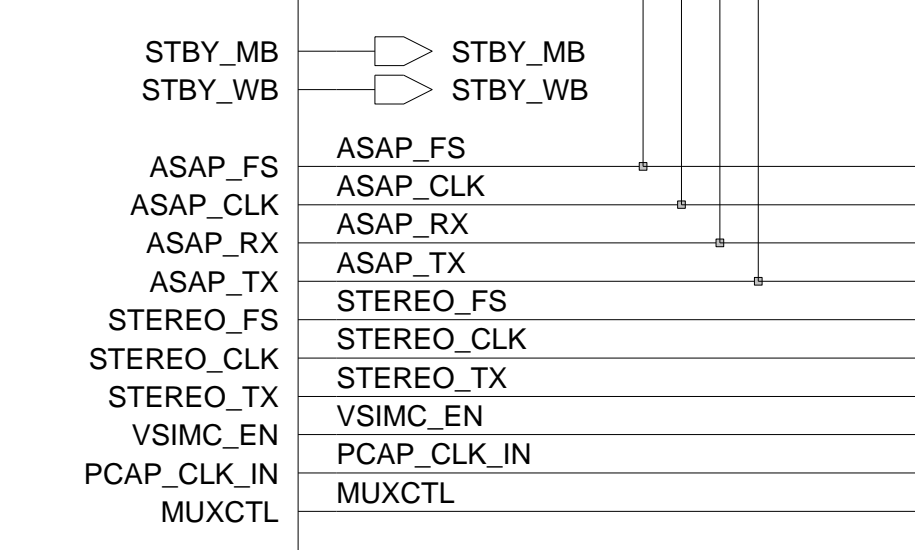
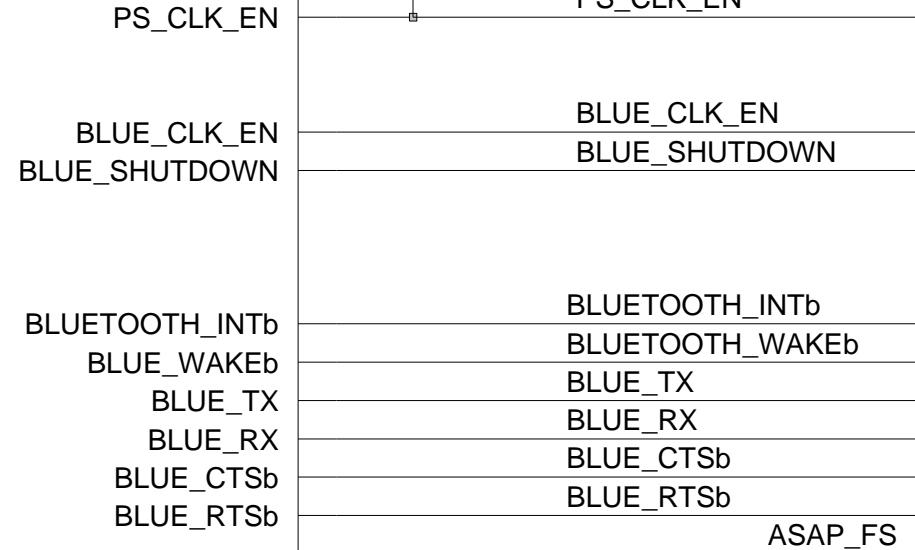
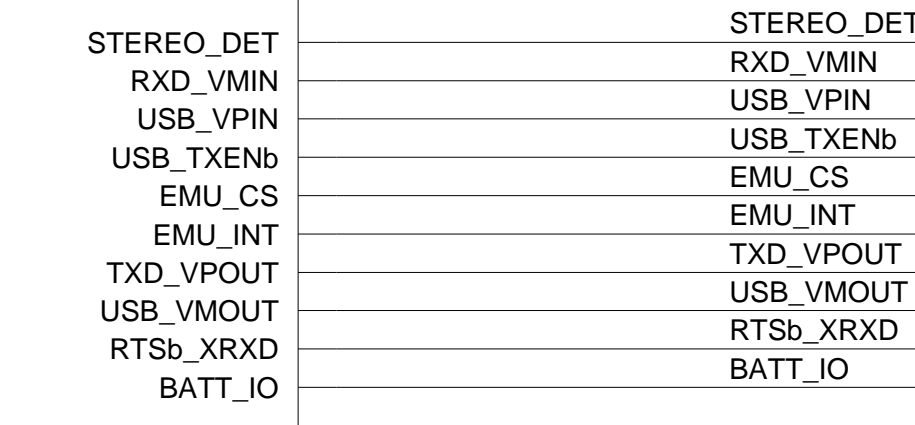
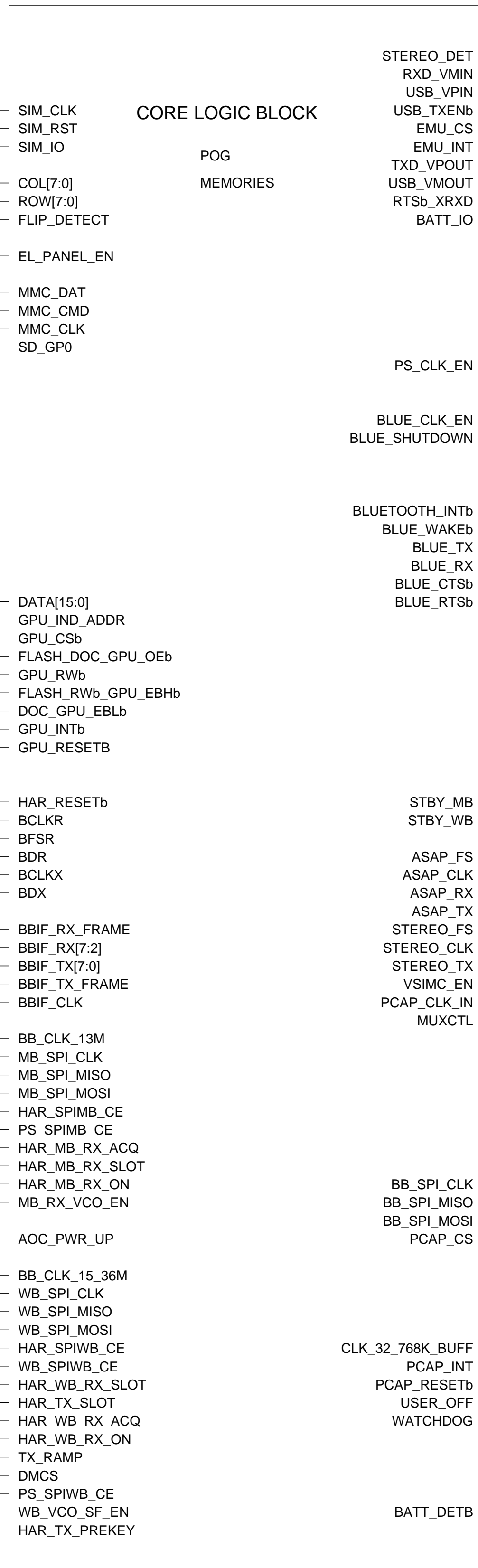
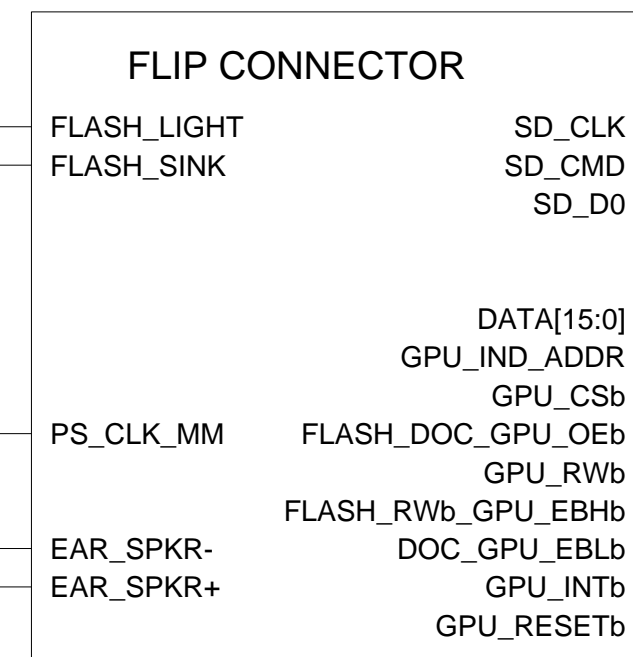
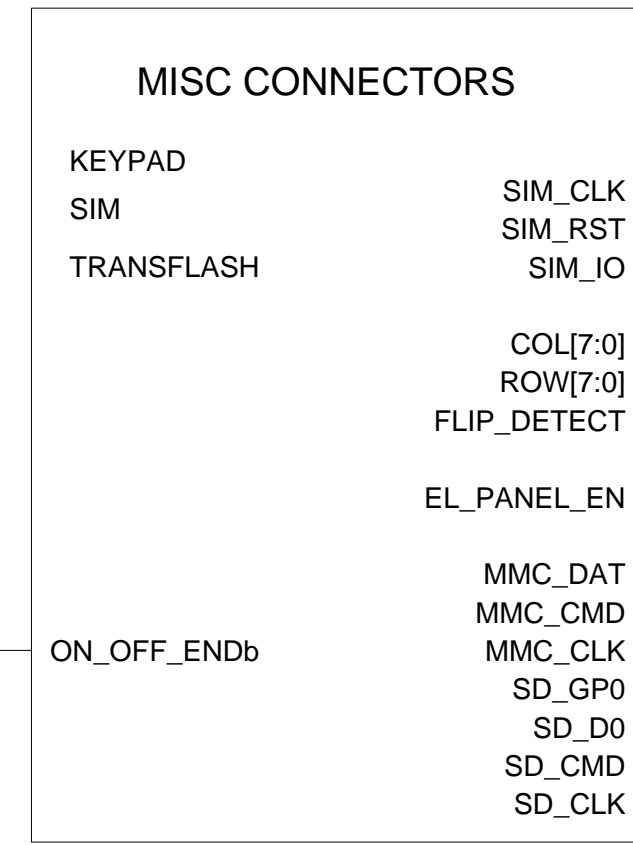
SYNTHESIS CAPACITORS CLOSE TO HARMONY

SUPPLIES INTERCONNECTIONS FAR FROM HARMONY



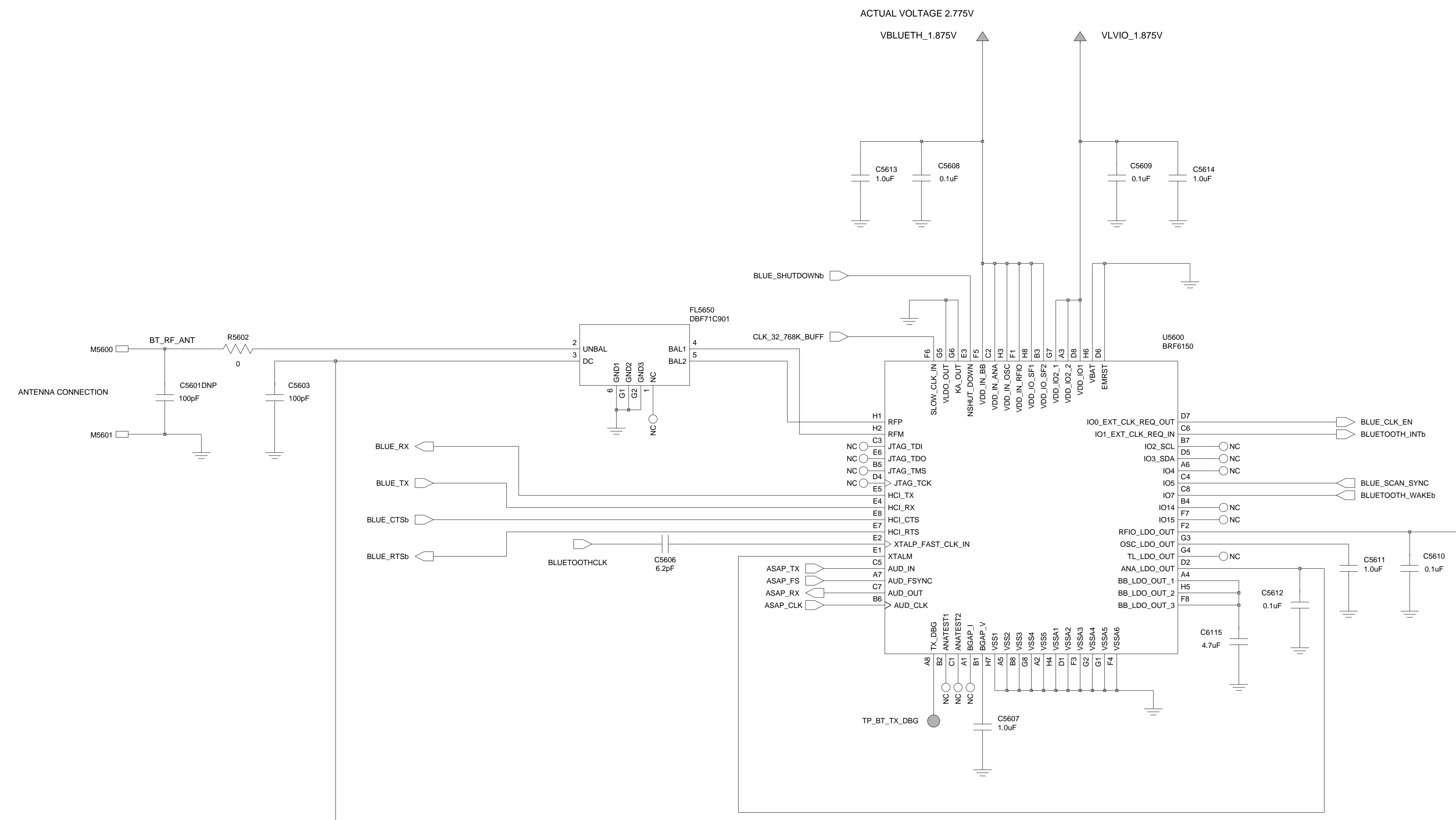
| | | | | | | | | |
|---------------|----------------|--|--|------------|-----------------|---------------|--------|------------|
| Engineer: | MOTOROLA INC. | | | REV: A | Date: | 30th May 2005 | Time: | 3:07:48 pm |
| Drawn by: | TARAZED | | | REV: A | Drawing Number: | Page: 6 | Of: 20 | |
| R&D CHK: | TITLE: HARMONY | | | Size: | | | | |
| DOC CTRL CHK: | MFG CTRL CHK: | | | | | | | |
| QA CHK: | Date: | | | Time: | | | | |
| Changed by: | Date: | | | Time: | | | | |
| ARC127 | 30th May 2005 | | | 3:07:48 pm | | | | |


| | | | |
|--------------------|-----------------------|------------------|----------------|
| Engineer: | | | |
| Drawn by: | | | |
| R&D CHK: | TITLE: TARAZED | Size: | |
| DOC CTRL CHK: | BaseBand Top Level | | |
| MFG CTRL CHK: | REV: A | Drawing Number: | Page: 7 Of: 20 |
| QA CHK: | Date: 6th Sep 2005 | Time: 3:24:22 pm | |
| Changed by: ARC127 | | | |



A
B
C
D

| | | | |
|-------------|--|------------------|----------------|
| Engineer: | MOTOROLA INC. | | |
| Drawn by: | TITLE: TARAZED Texas BlueTooth | | |
| R&D CHK: | DOC CTRL CHK: | MFG CTRL CHK: | QA CHK: |
| Changed by: | REV: A | Drawing Number: | Page: 8 Of: 20 |
| ARC127 | Date: 20th July 2005 | Time: 4:18:03 pm | |



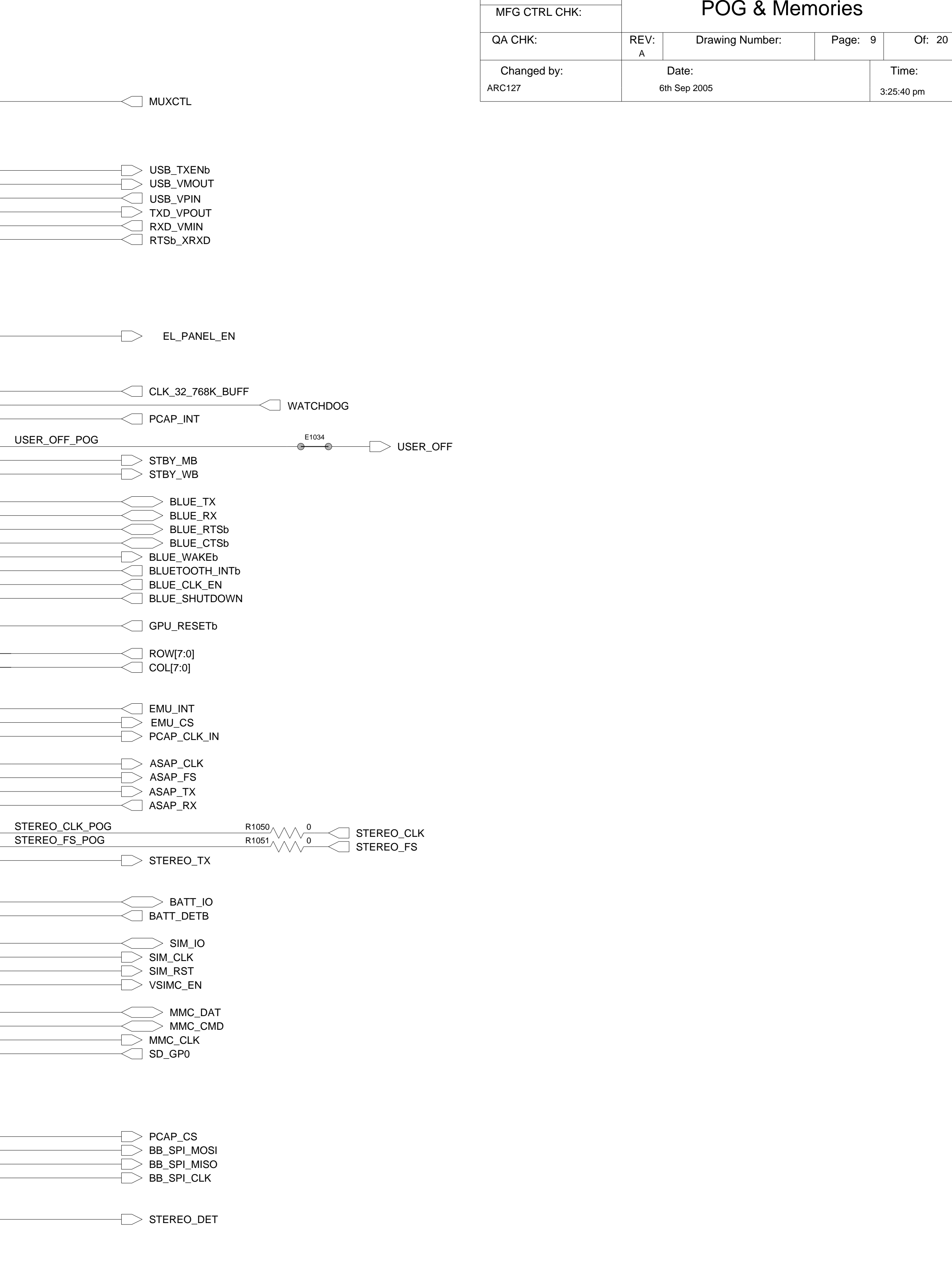
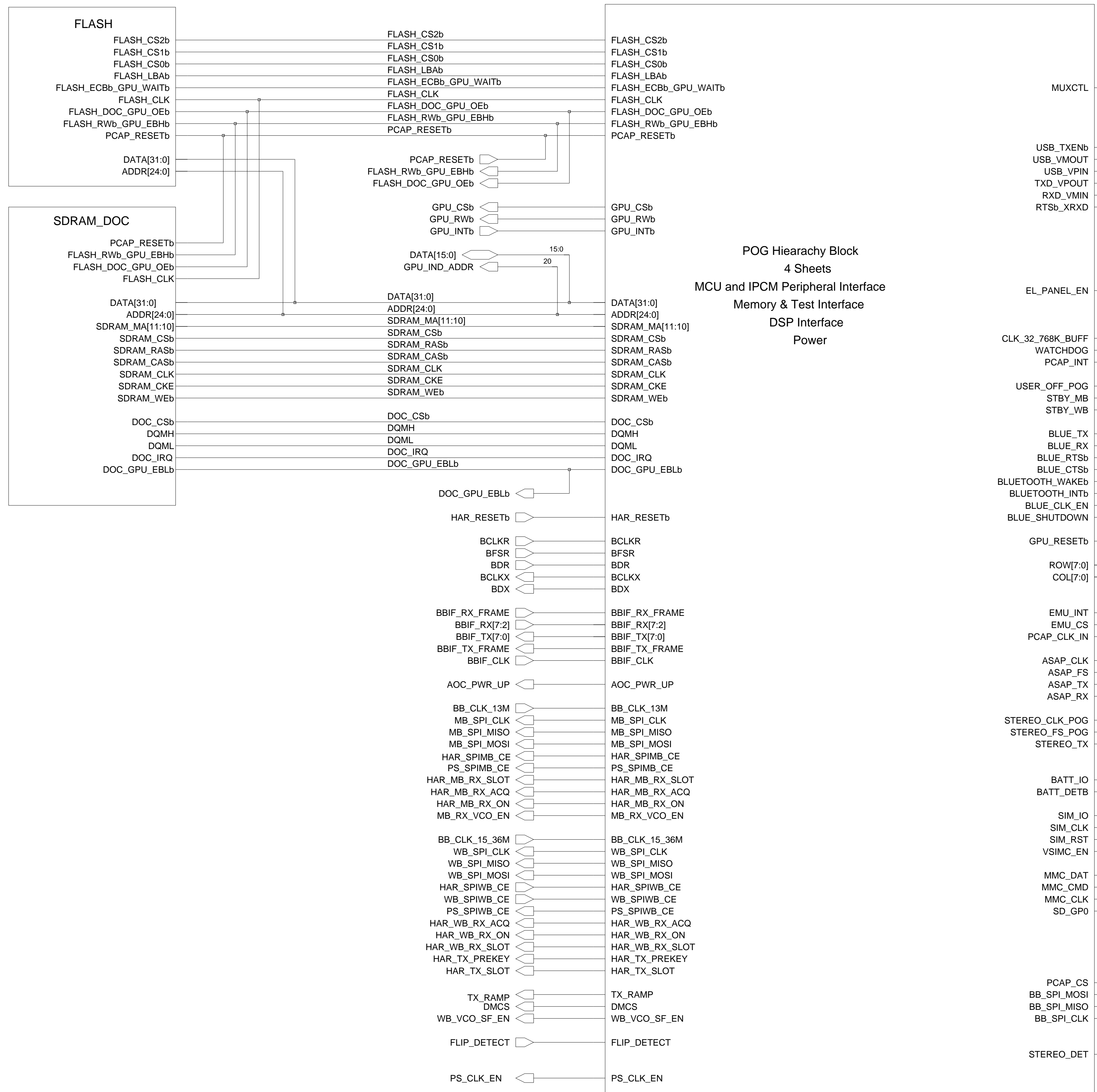
| | | | | | |
|--------------------|---|------------------|----------------|---------------------------|-------|
| Engineer: |  | | | | |
| Drawn by: | | | | | |
| R&D CHK: | | | | TITLE: TARAZED | Size: |
| DOC CTRL CHK: | | | | POG & Memories | |
| MFG CTRL CHK: | REV: A | Drawing Number: | Page: 9 Of: 20 | | |
| QA CHK: | Date: 6th Sep 2005 | Time: 3:25:40 pm | | | |
| Changed by: ARC127 | | | | | |

A

B

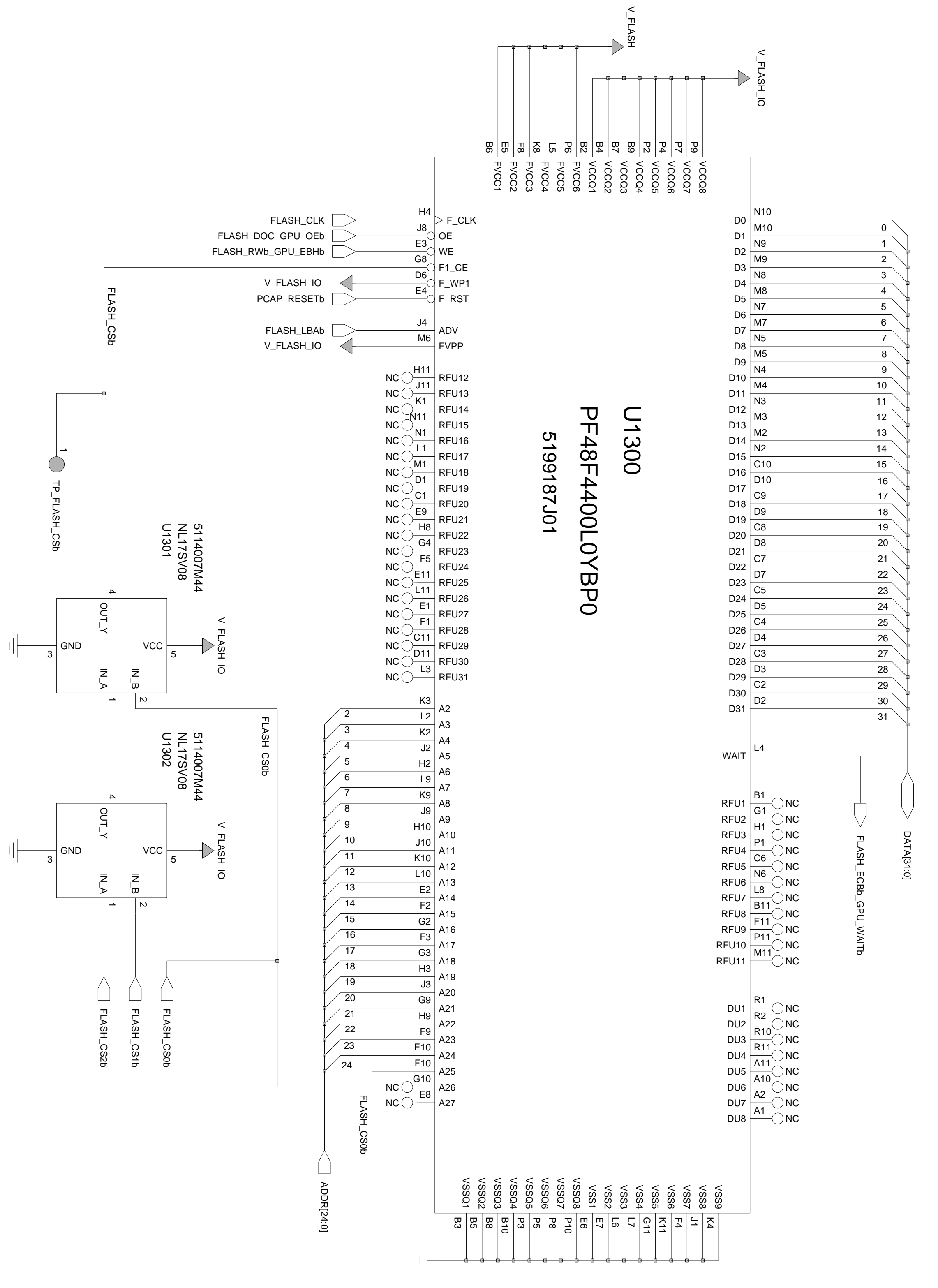
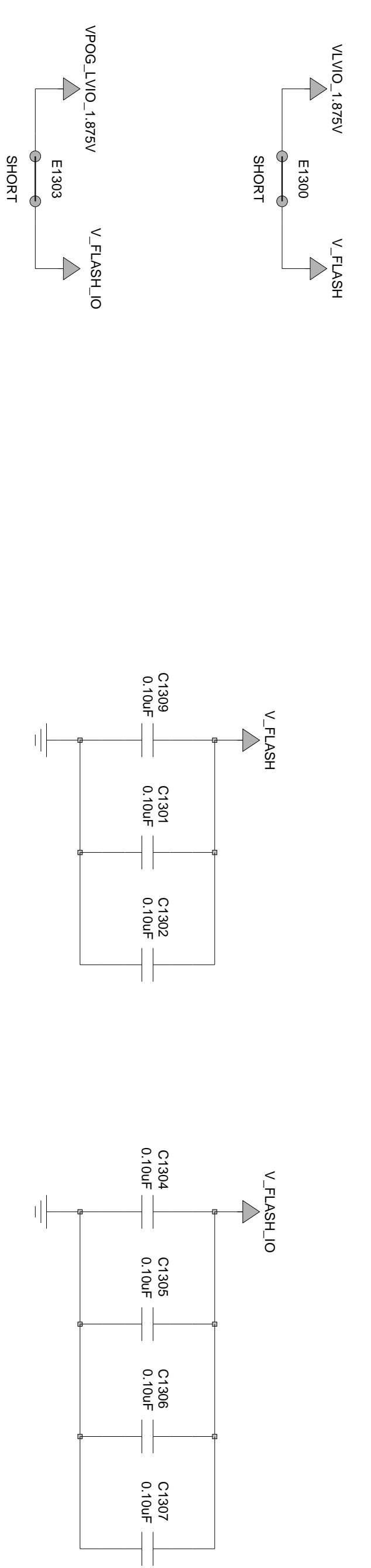
C

D





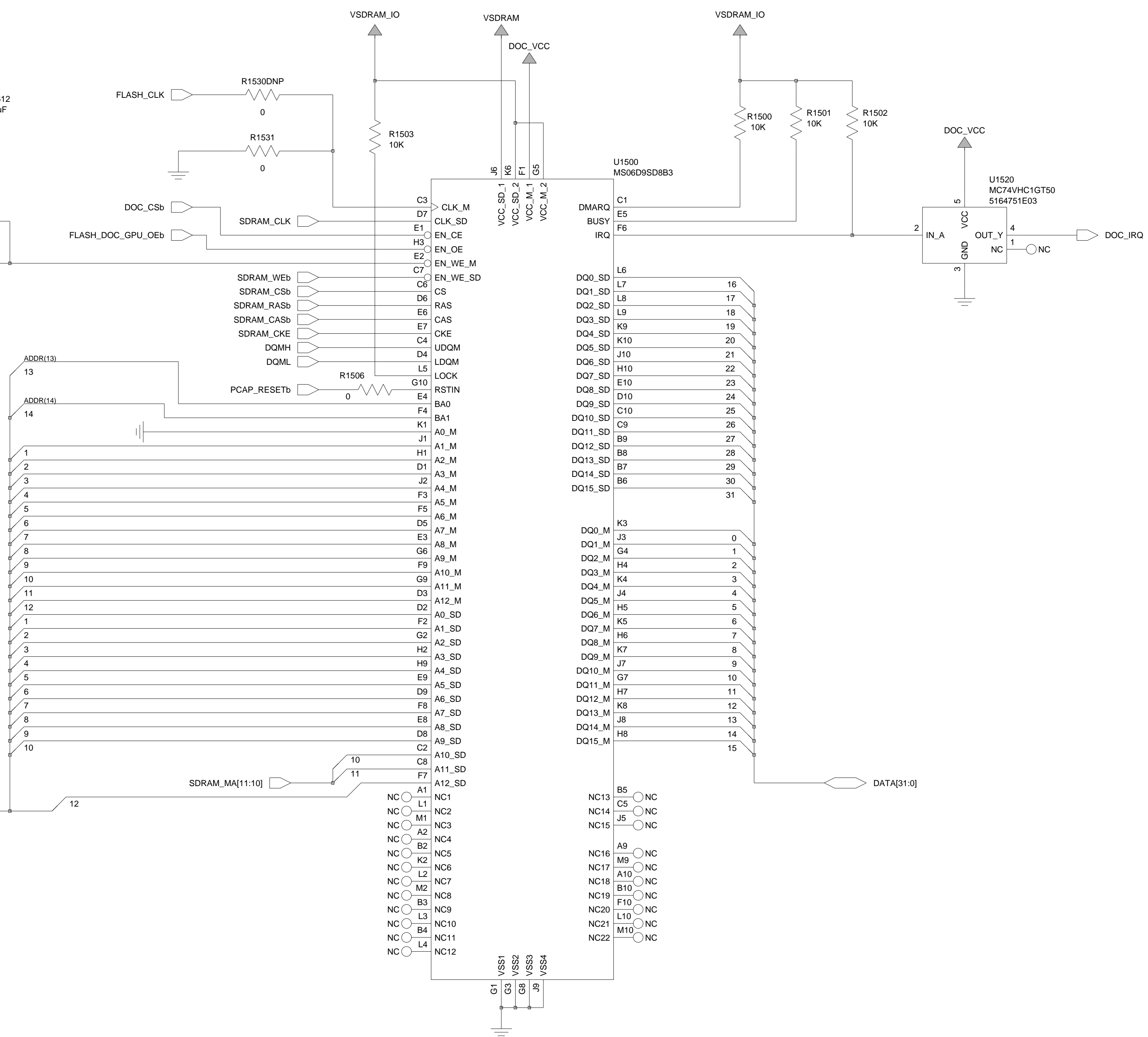
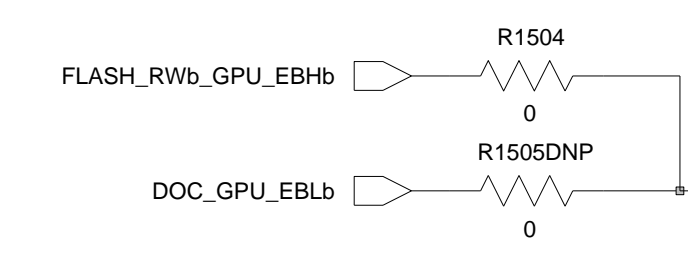
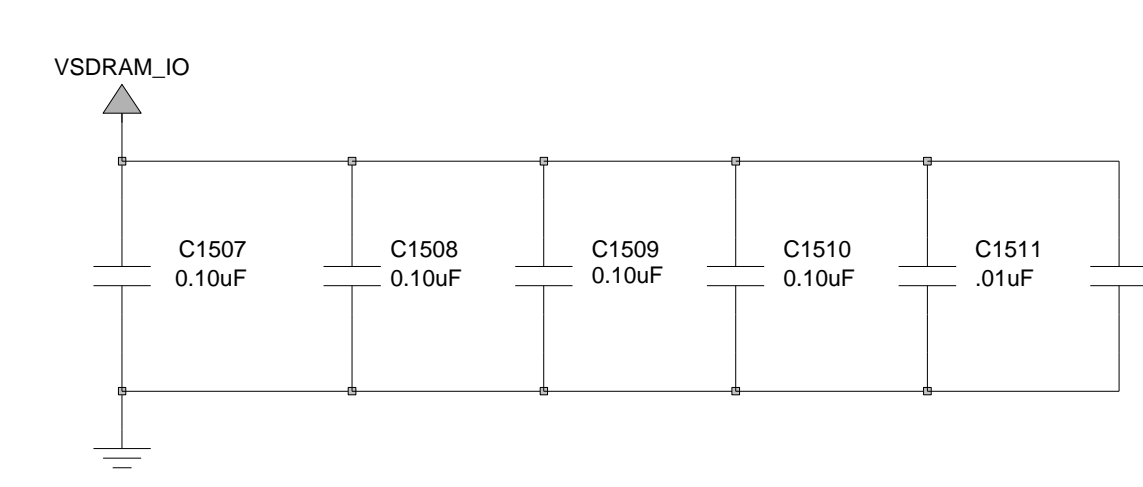
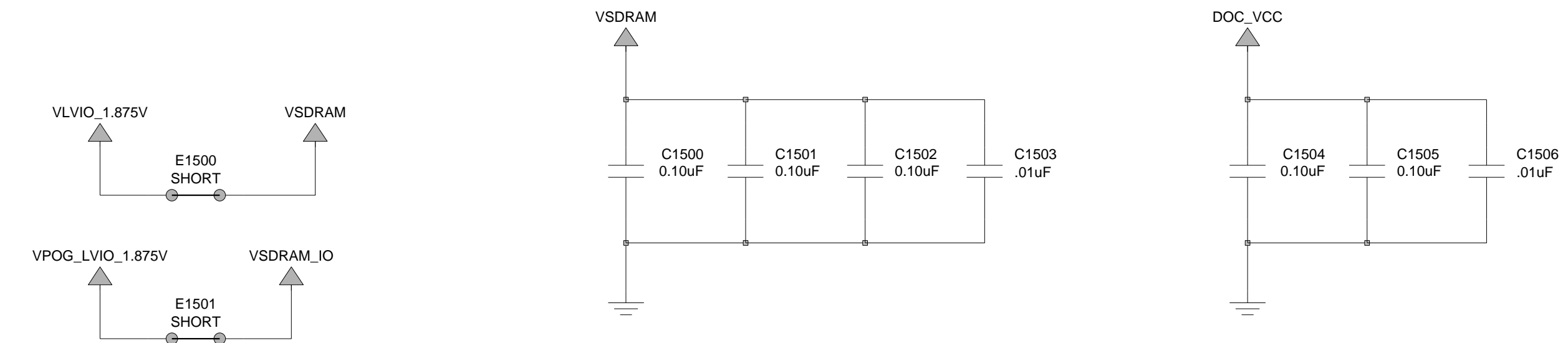
| | | | | | |
|---------------|--------|---|-----------------|----------|------------|
| Engineer: | | MOTOROLA INC. TARAZED 64MB FLASH | | Size: | |
| Drawn by: | | | | | |
| R&D CHK: | | | | | |
| DOC CTRL CHK: | | | | | |
| MFG CTRL CHK: | | REV: A | Drawing Number: | Page: 10 | Of: 20 |
| QA CHK: | | Date: | 1st JULY 2005 | Time: | 8:54:35 am |
| Changed by: | ARC127 | | | | |



MOTOROLA CONFIDENTIAL PROPRIETARY

| | | | |
|--------------------|--------------------|------------------|-----------------|
| Engineer: | MOTOROLA INC. | | |
| Drawn by: | TITLE: TARAZED | | |
| R&D CHK: | DOC CTRL CHK: | | Size: |
| DOC CTRL CHK: | MFG CTRL CHK: | | SDRAM and DOC |
| QA CHK: | REV: A | Drawing Number: | Page: 11 Of: 20 |
| Changed by: ARC127 | Date: 6th Sep 2005 | Time: 8:54:35 am | |

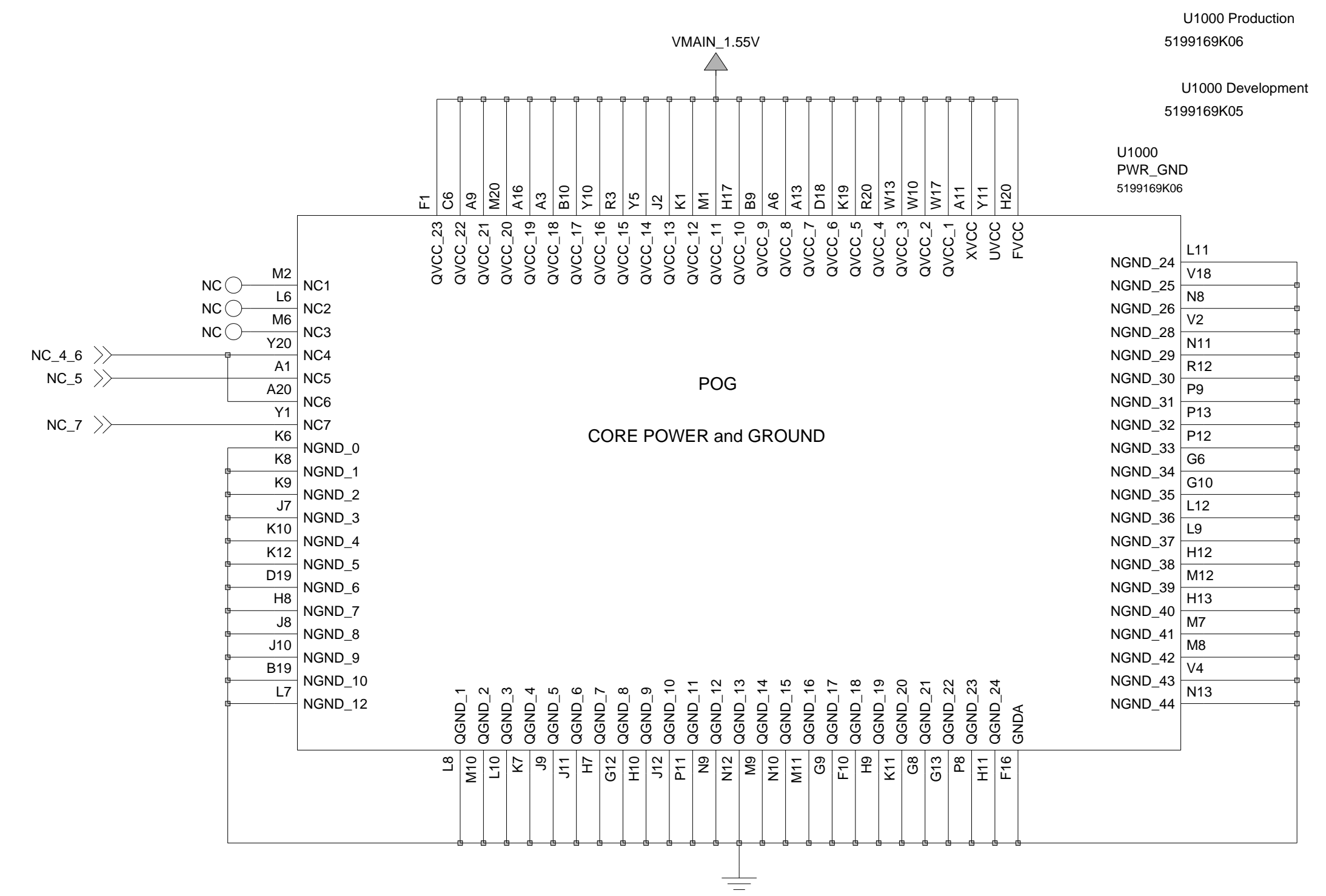
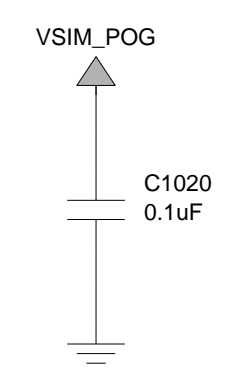
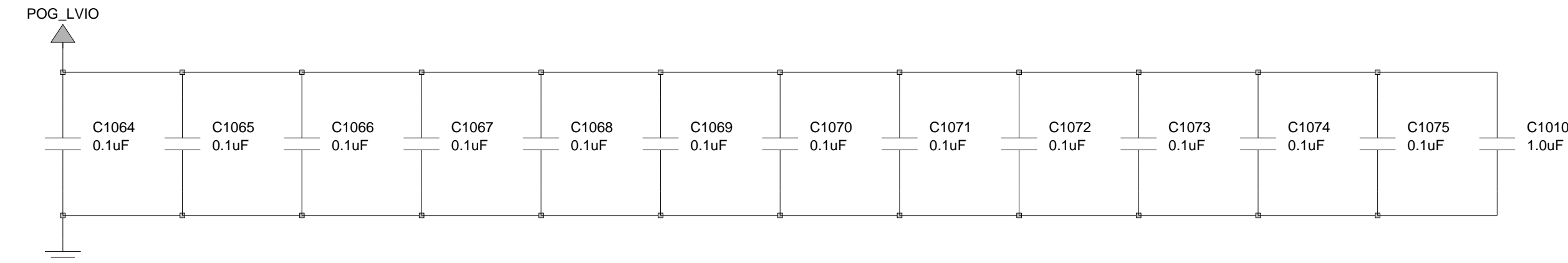
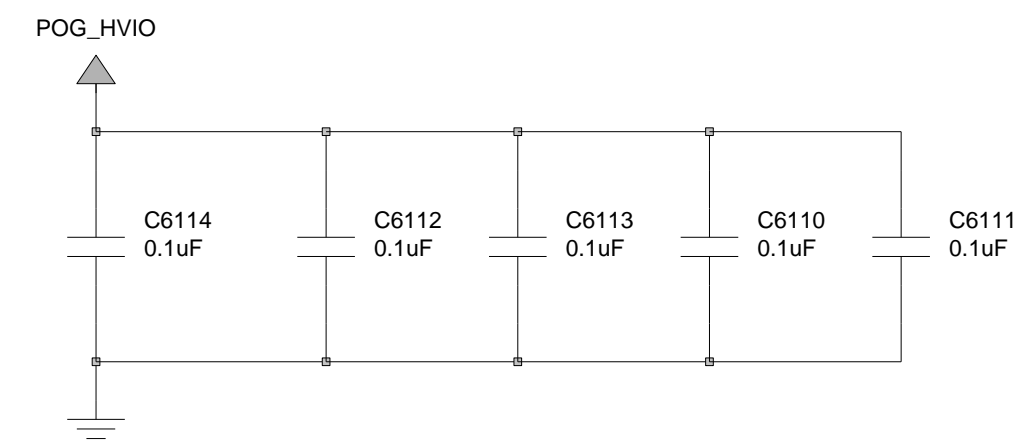
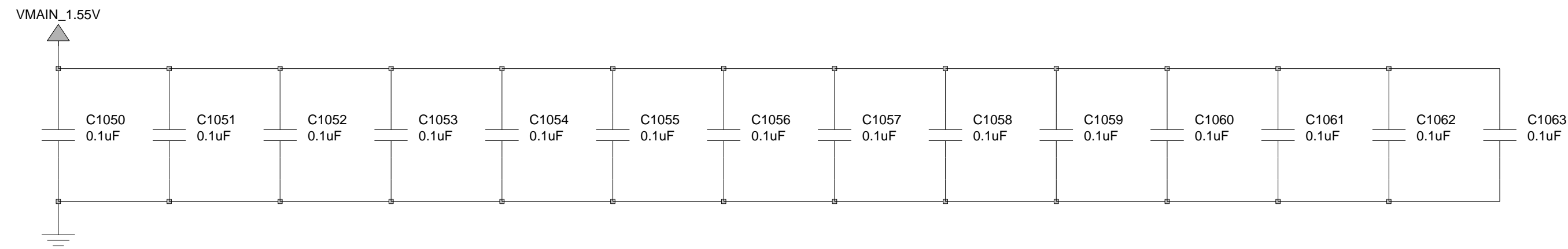
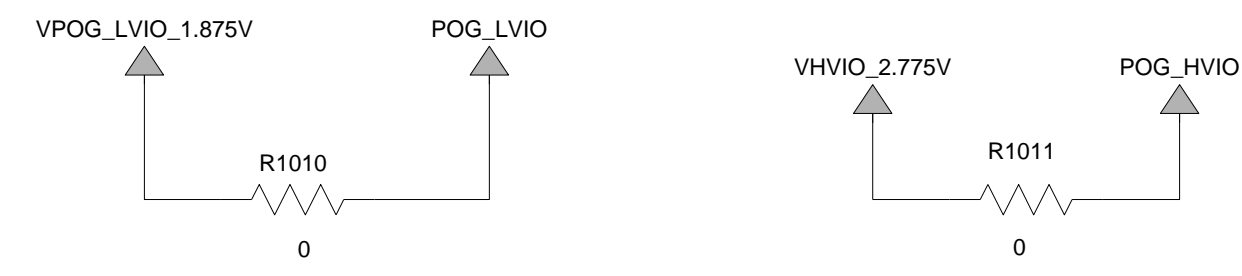
A
B
C
D



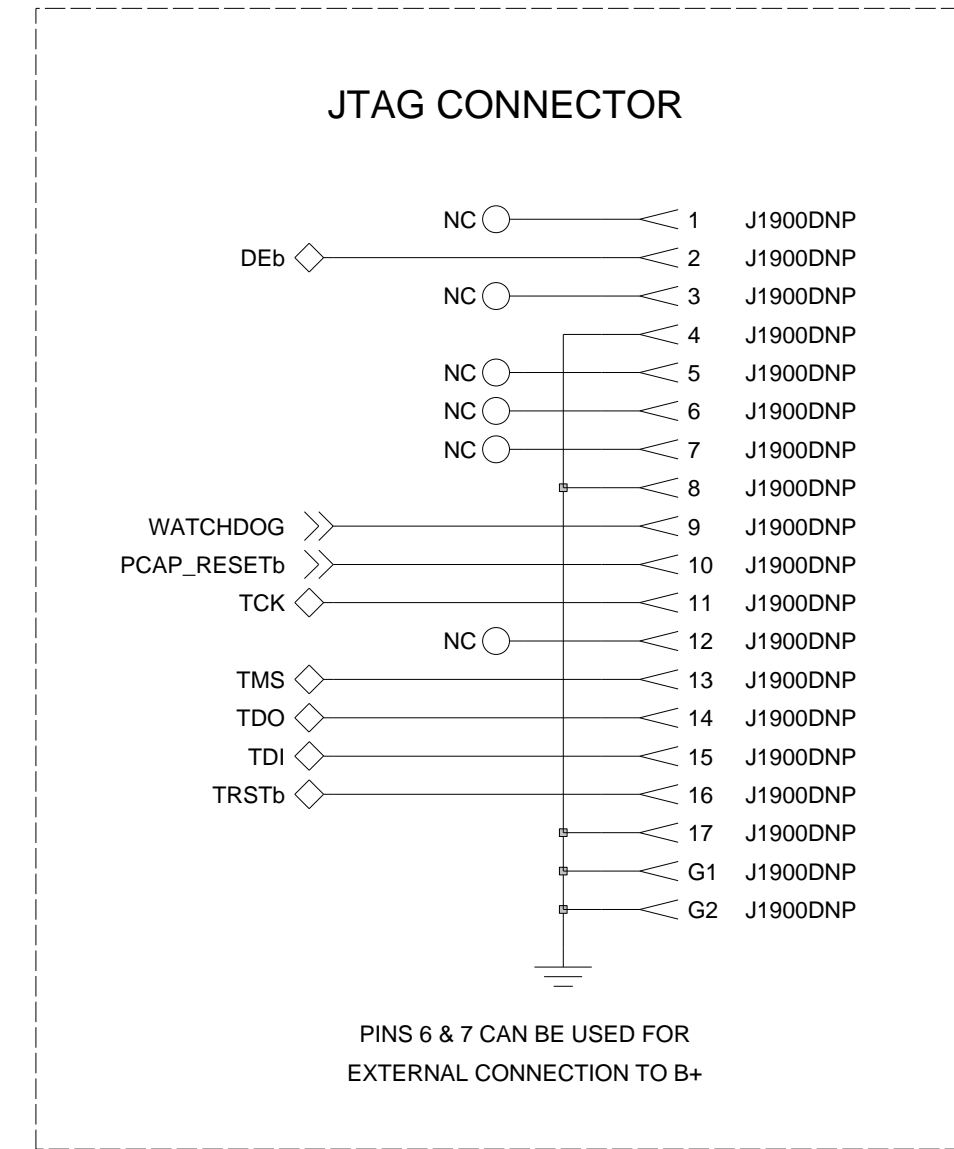
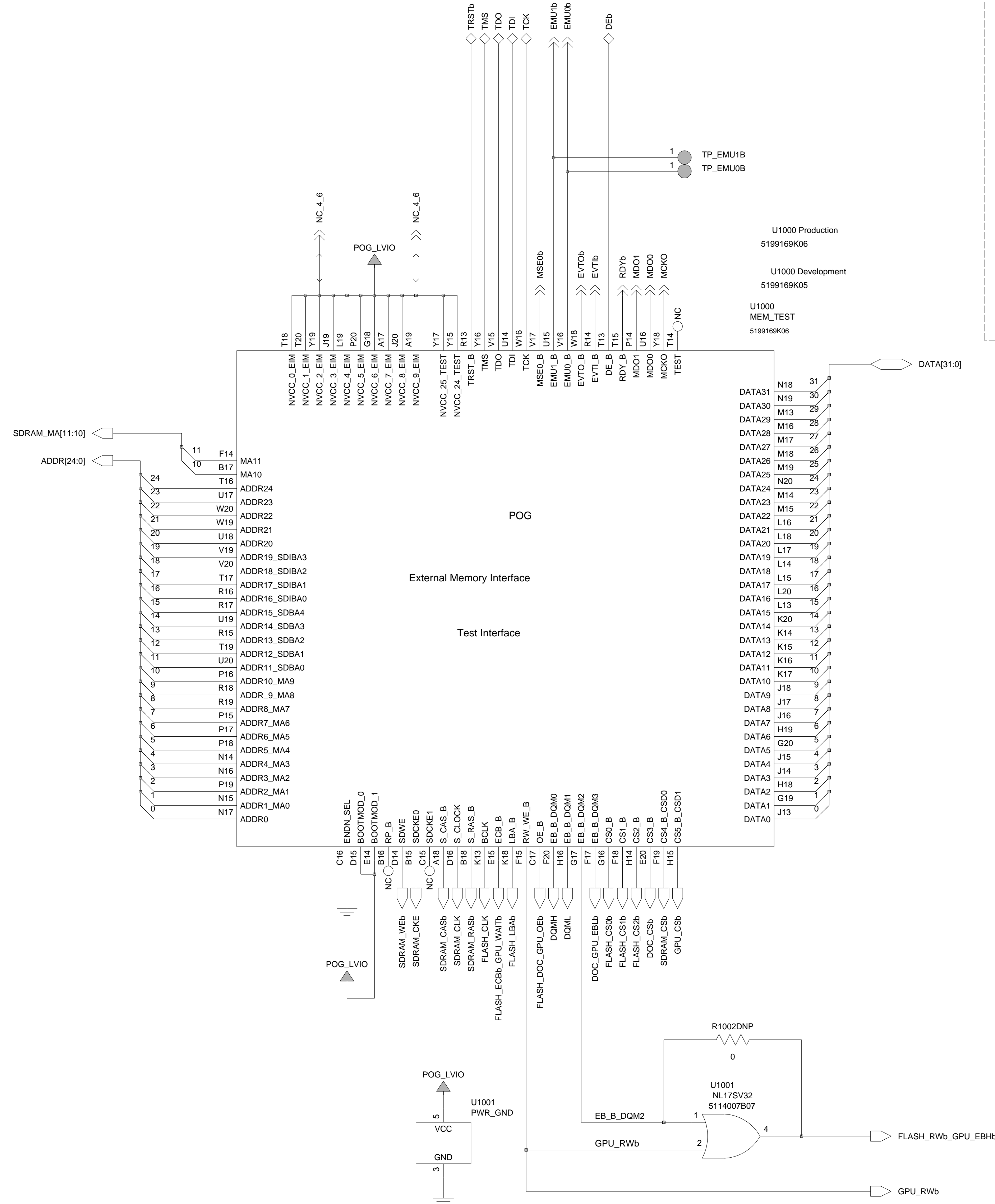
MOTOROLA CONFIDENTIAL PROPRIETARY



| | | | |
|--------------------|-----------------------|------------------|-----------------|
| Engineer: | | | |
| Drawn by: | | | |
| R&D CHK: | TITLE: TARAZED | Size: | |
| DOC CTRL CHK: | POG Power Interface | | |
| MFG CTRL CHK: | REV: A | Drawing Number: | Page: 12 Of: 20 |
| QA CHK: | Date: 1st JUNE 2005 | Time: 3:23:21 pm | |
| Changed by: ARC127 | | | |



| | | | |
|--------------------|-----------------------------|------------------|-----------------|
| Engineer: | | | |
| Drawn by: | | | |
| R&D CHK: | TITLE: TARAZED | Size: | |
| DOC CTRL CHK: | POG Memory & Test Interface | | |
| MFG CTRL CHK: | REV: A | Drawing Number: | Page: 13 Of: 20 |
| QA CHK: | Date: 6th Sep 2005 | Time: 2:21:53 pm | |
| Changed by: ARC127 | | | |



U1000 Production
5199169K06

U1000 Development
5199169K05

U1000
MEM_TEST
5199169K06

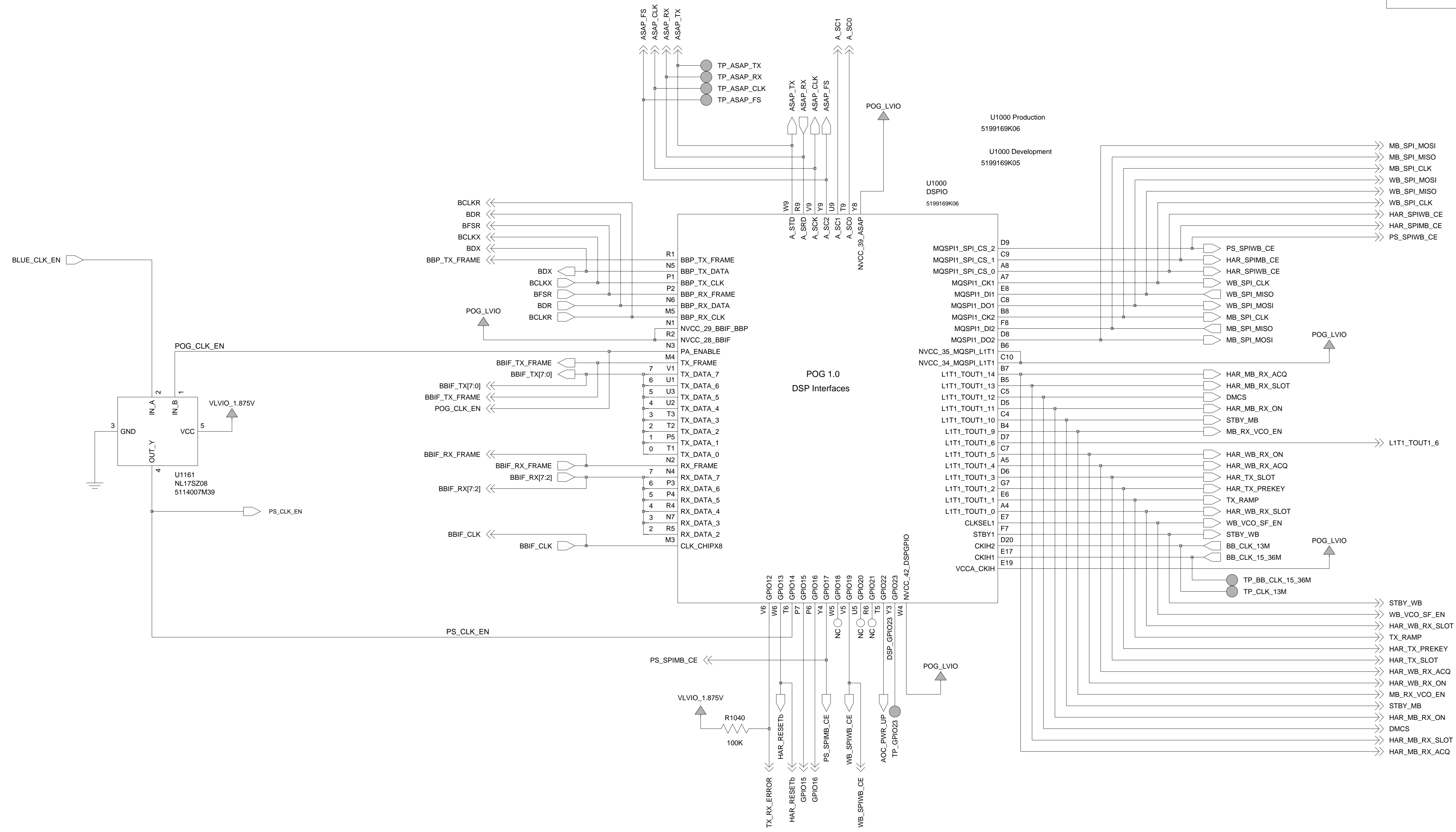
A

B

C

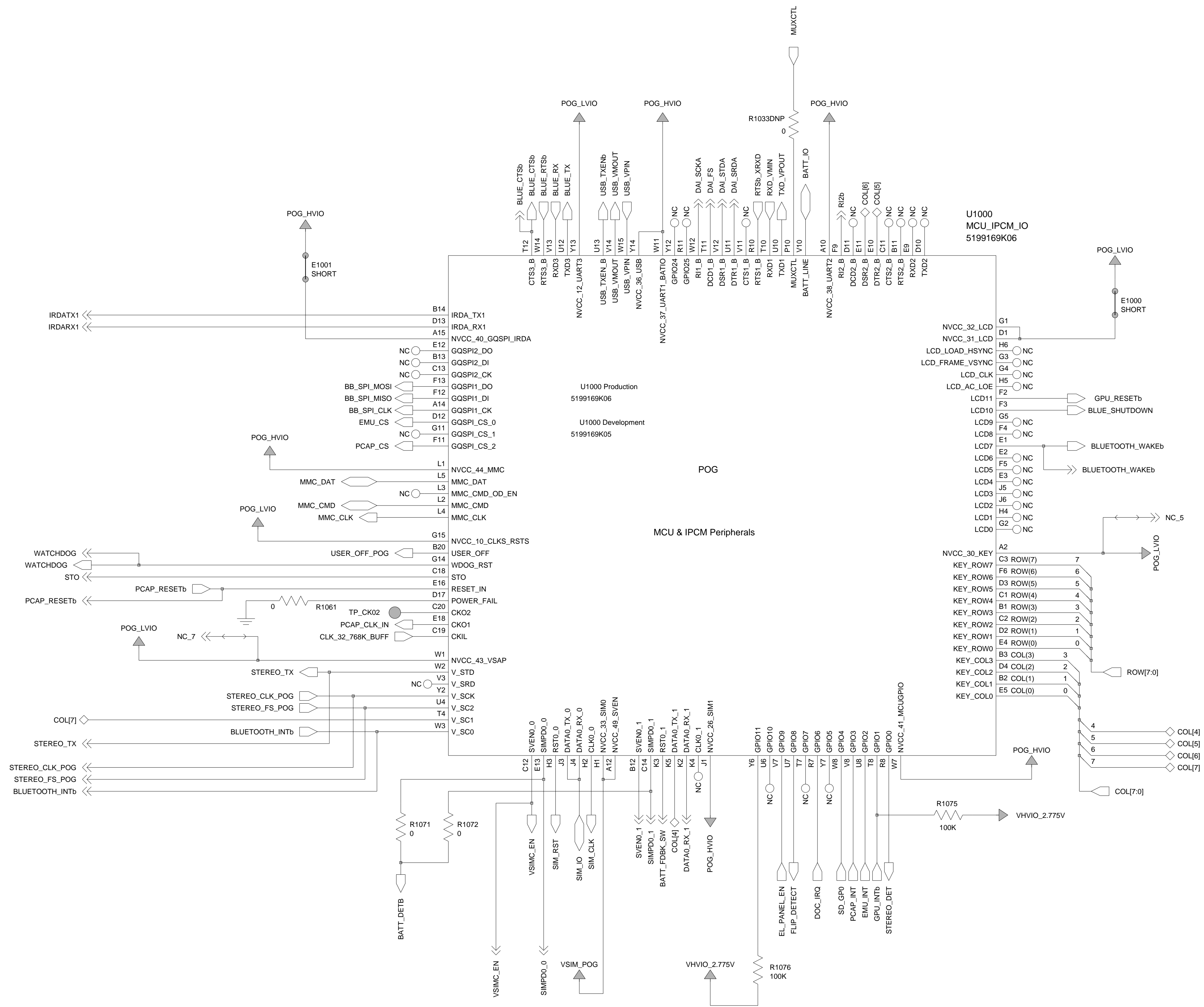
D

| | | | |
|--------------------|-----------------------|------------------|-----------------|
| Engineer: | | | |
| Drawn by: | | | |
| R&D CHK: | TITLE: TARAZED | Size: | |
| DOC CTRL CHK: | POG DSP Interface | | |
| MFG CTRL CHK: | REV: A | Drawing Number: | Page: 14 Of: 20 |
| QA CHK: | Date: 6th Sep 2005 | Time: 4:24:18 pm | |
| Changed by: ARC127 | | | |




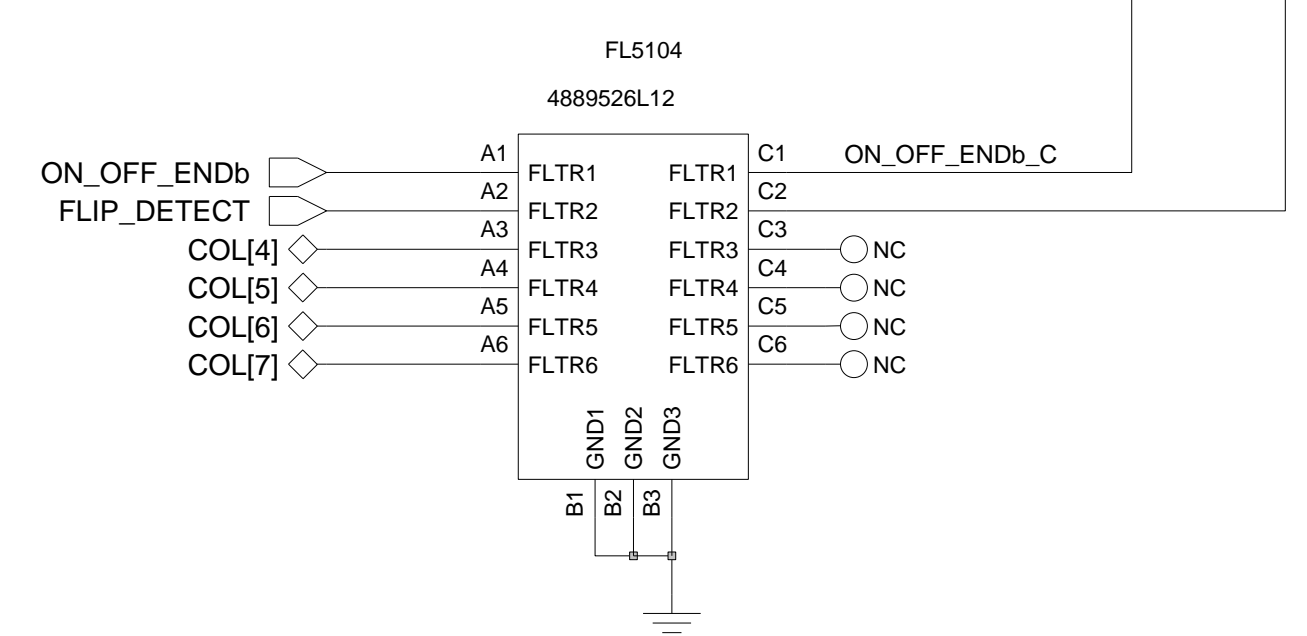
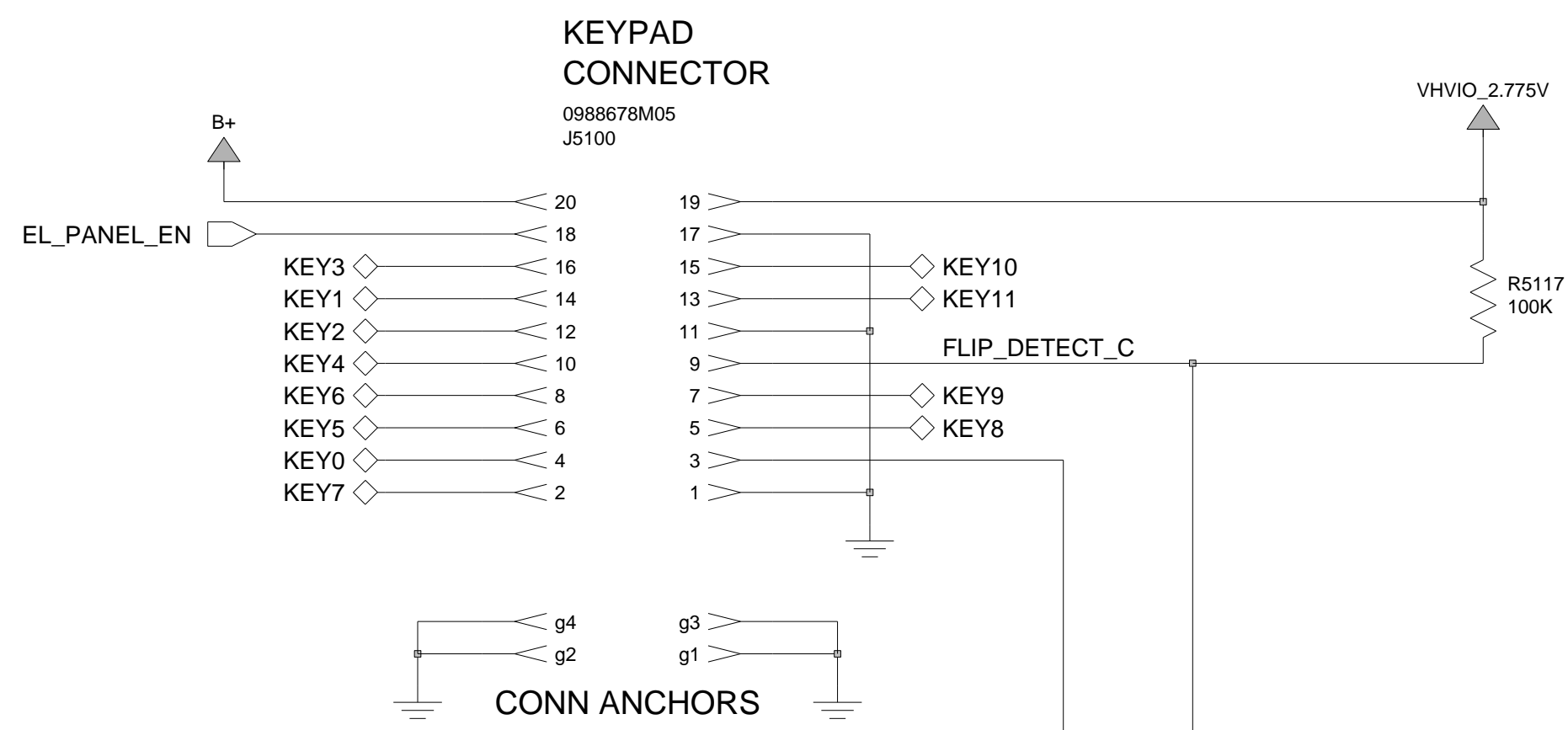
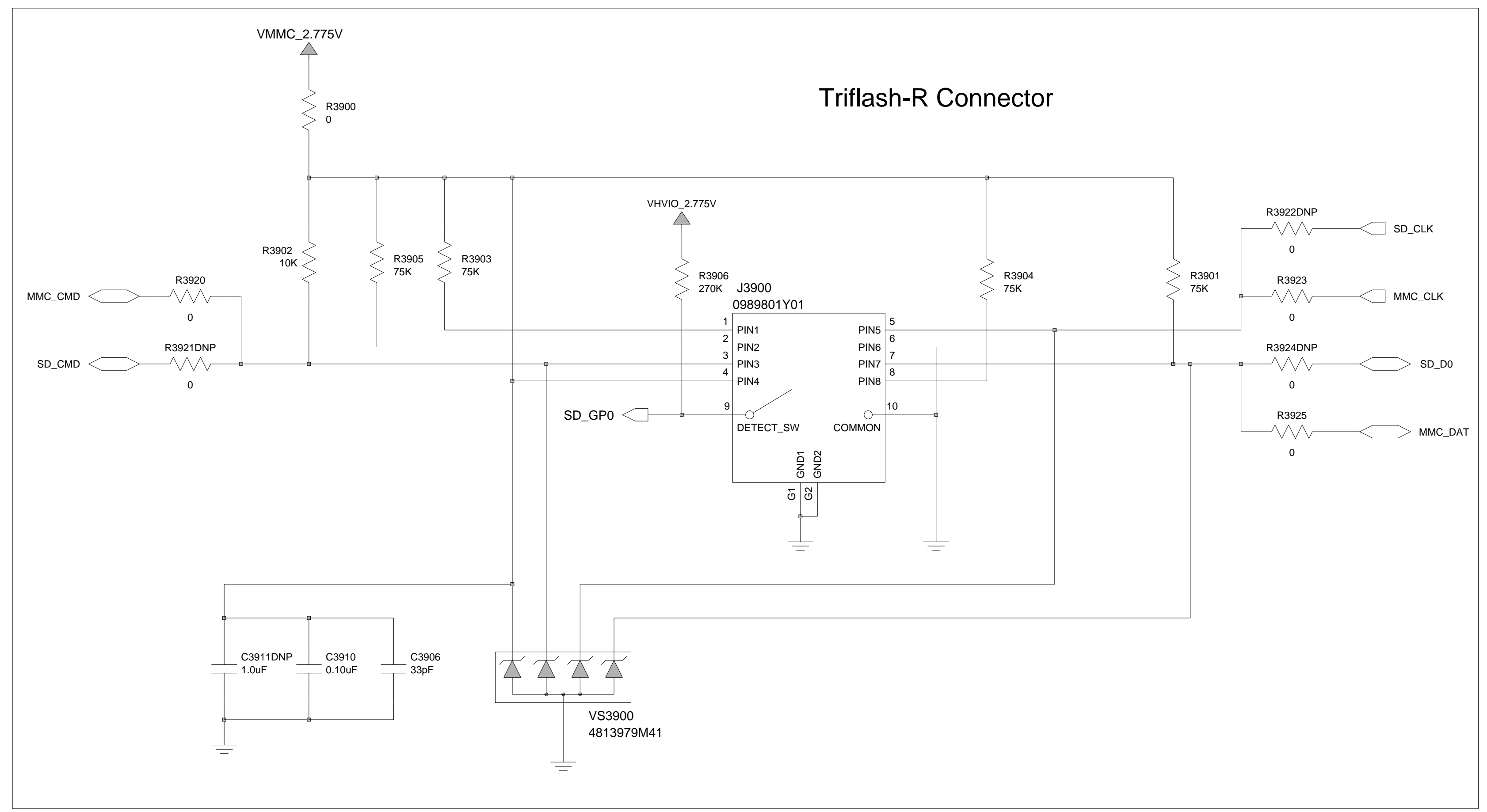
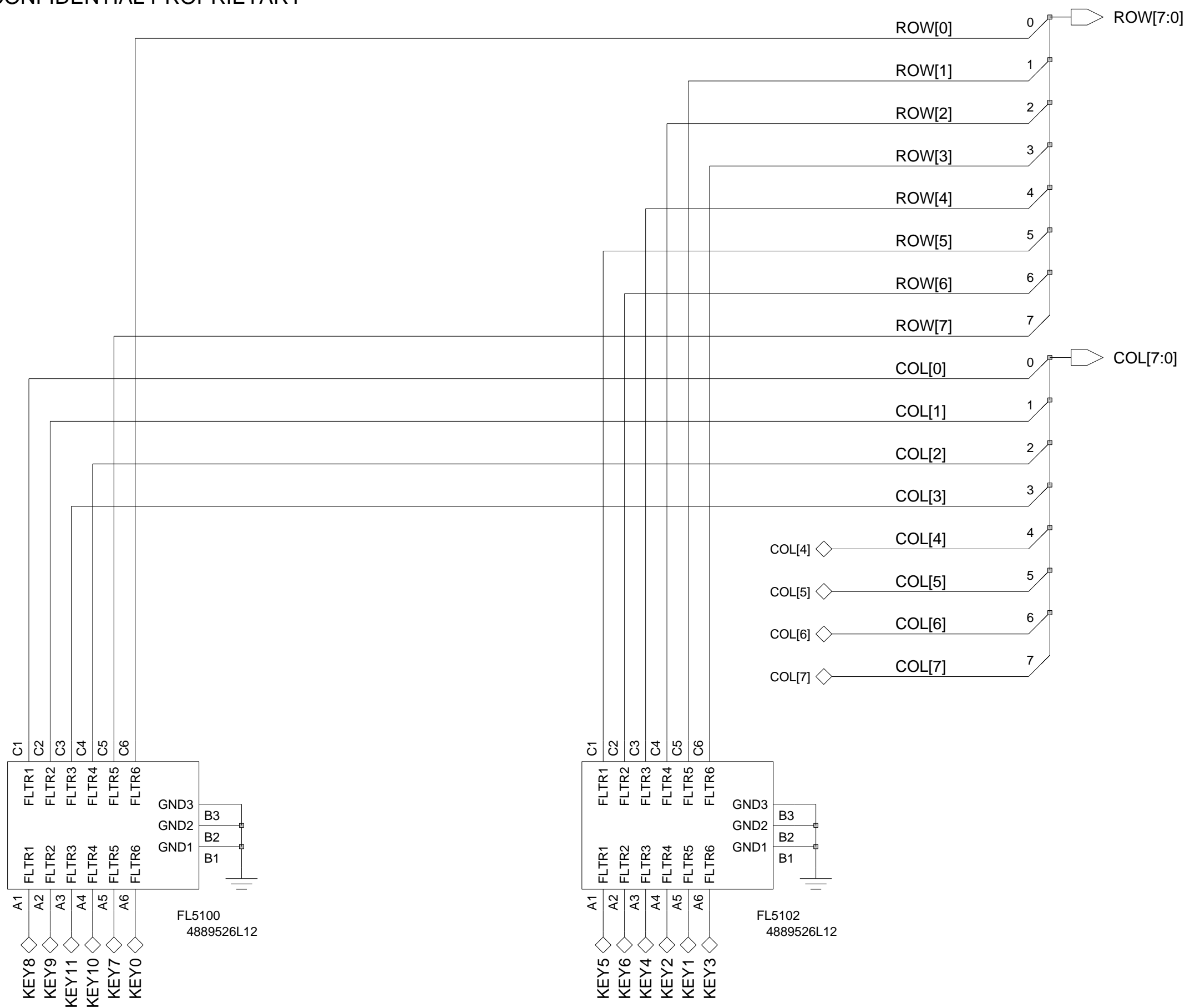
A
B
C
D

| | | | |
|--------------------|-----------------------|------------------|-----------------|
| Engineer: | | | |
| Drawn by: | | | |
| R&D CHK: | TITLE: TARAZED | Size: | |
| DOC CTRL CHK: | POG Peripheral Int | | |
| MFG CTRL CHK: | REV: A | Drawing Number: | Page: 15 Of: 20 |
| QA CHK: | Date: 6th Sep 2005 | Time: 5:01:37 pm | |
| Changed by: ARC127 | | | |



MOTOROLA CONFIDENTIAL PROPRIETARY

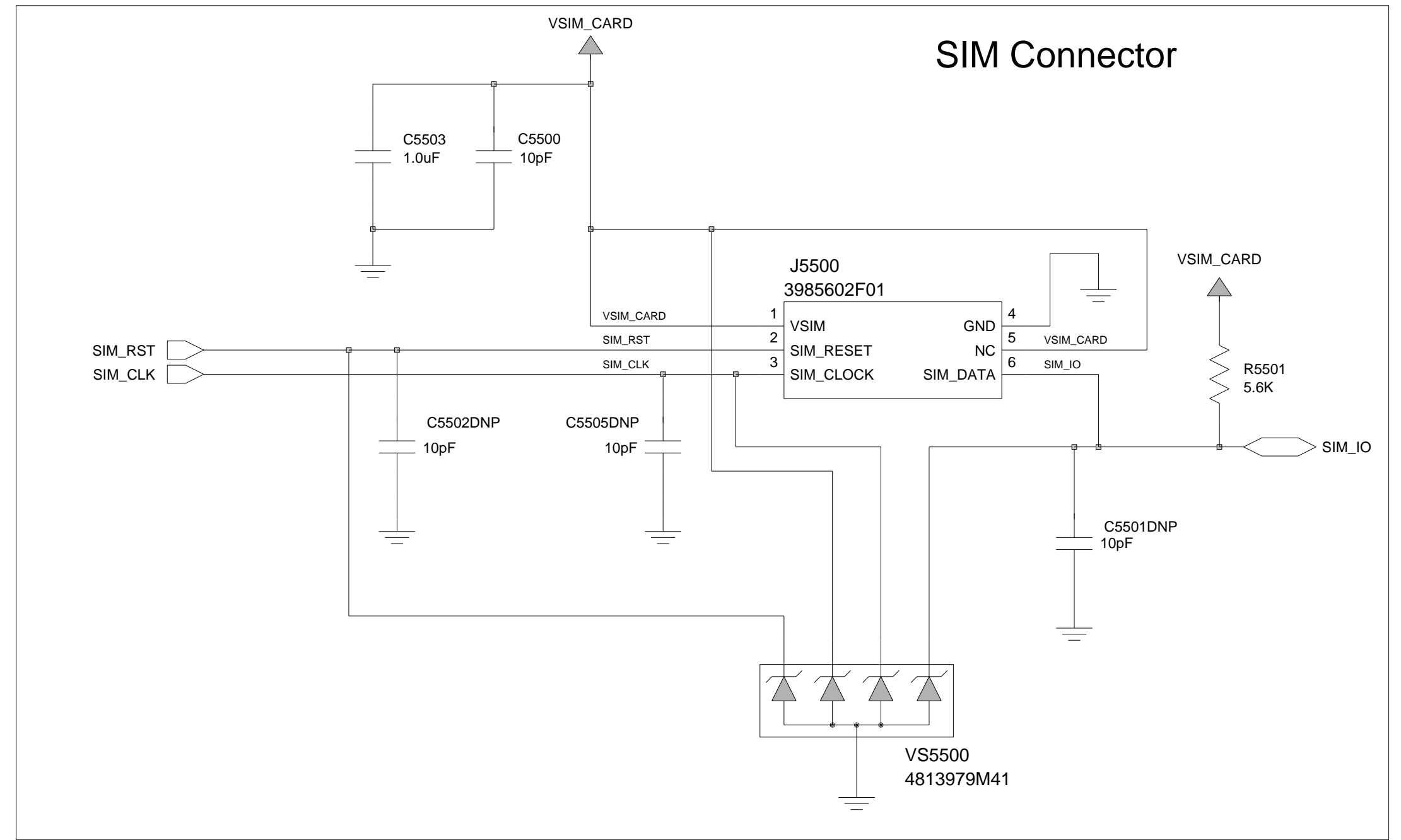
| | | | | | |
|--------------------|---|------------------|----------|-----------------------|-------|
| Engineer: |  | | | | |
| Drawn by: | | | | | |
| R&D CHK: | | | | TITLE: TARAZED | Size: |
| DOC CTRL CHK: | | | | Misc Connectors | |
| MFG CTRL CHK: | REV: A | Drawing Number: | Page: 16 | Of: 20 | |
| QA CHK: | Date: 6th Sep 2005 | Time: 3:05:27 pm | | | |
| Changed by: ARC127 | | | | | |




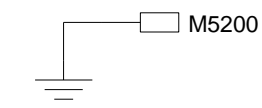
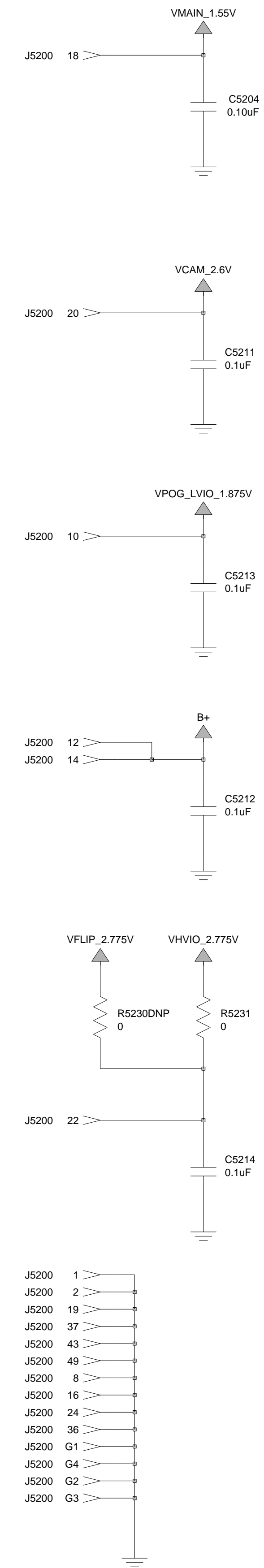
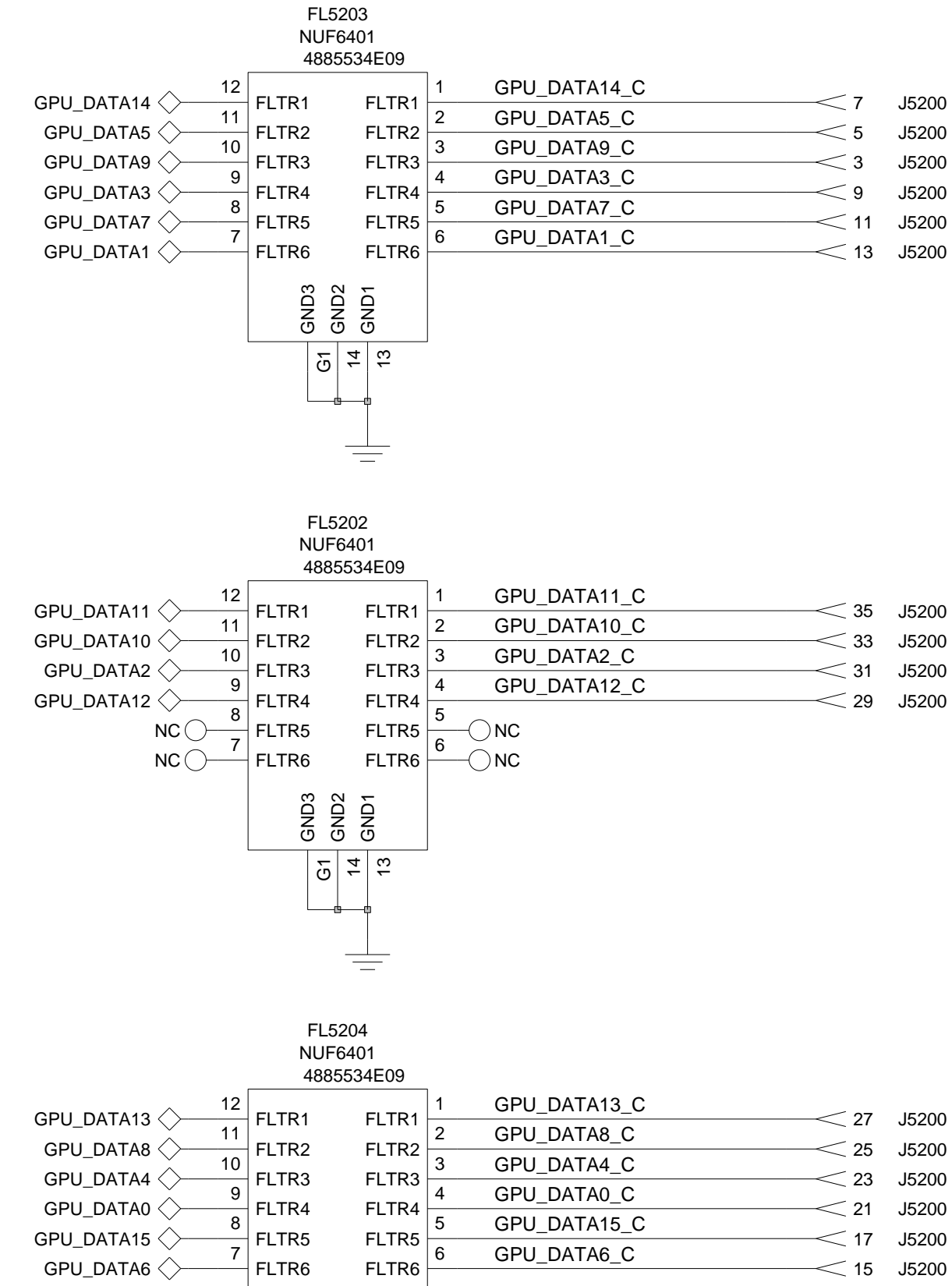
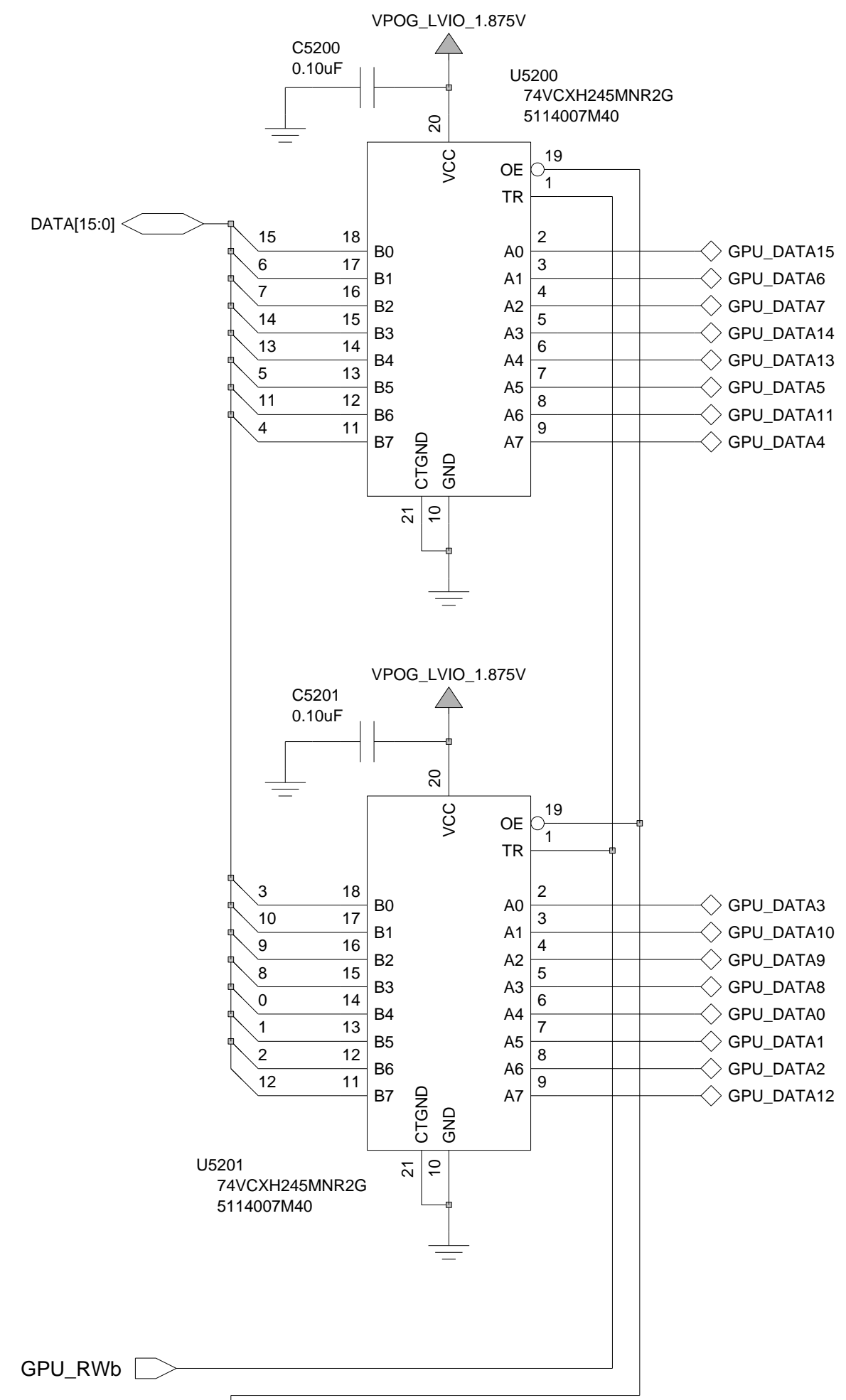
2 POLE IMPLEMENTATION FOR THE KEYPAD AND SIDE KEYS

| | ROW7 | ROW6 | ROW5 | ROW4 | ROW3 | ROW2 | ROW1 | ROW0 |
|-------|------------|------------|------------|----------|-----------------|-----------------|------|------|
| COL 0 | 6 | 4 | 2 | 8 | . | # | | 9 |
| COL 1 | Left Soft | Clear Back | Right Soft | Browser | Video Call Send | Voice Call Send | | 7 |
| COL 2 | SMART | Vol Down | Vol Up | Camera | VA/VR | 0 | | 5 |
| COL 3 | Nav Center | Nav Up | Nav Down | Nav Left | Nav Right | 3 | 1 | |

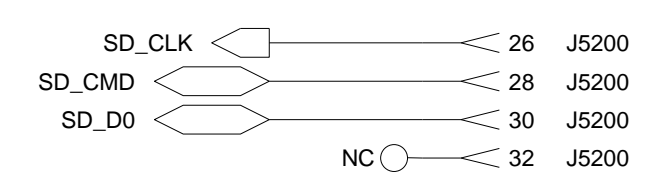
COL [4 - 7] RESERVED FOR FUTURE USE



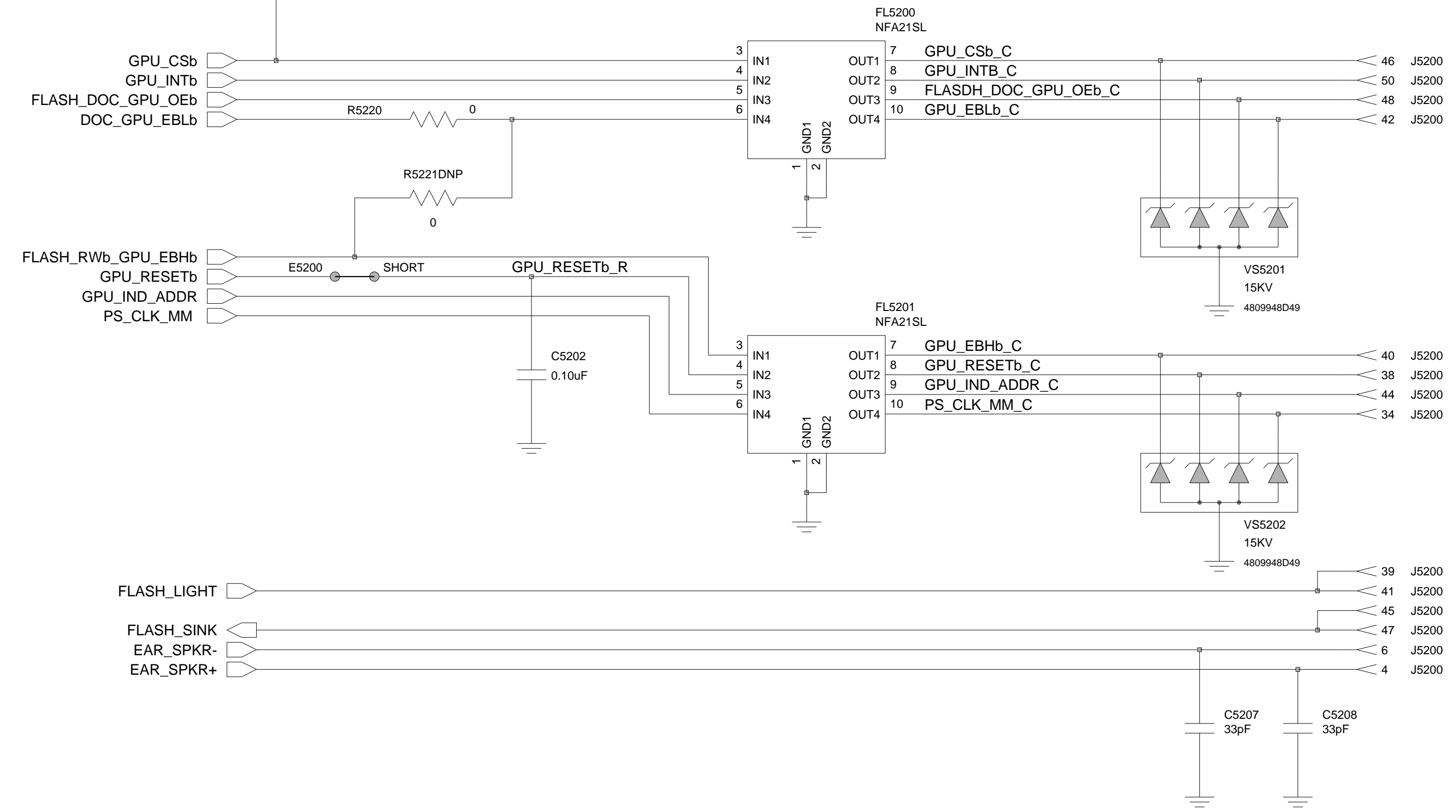
| | | | | | |
|--------------------|---|------------------|----------|-----------------------|-------|
| Engineer: |  | | | | |
| Drawn by: | | | | | |
| R&D CHK: | | | | TITLE: TARAZED | Size: |
| DOC CTRL CHK: | | | | Flip Connector | |
| MFG CTRL CHK: | REV: A | Drawing Number: | Page: 17 | Of: 20 | |
| QA CHK: | Date: 20th July 2005 | Time: 5:25:05 pm | | | |
| Changed by: ARC127 | | | | | |



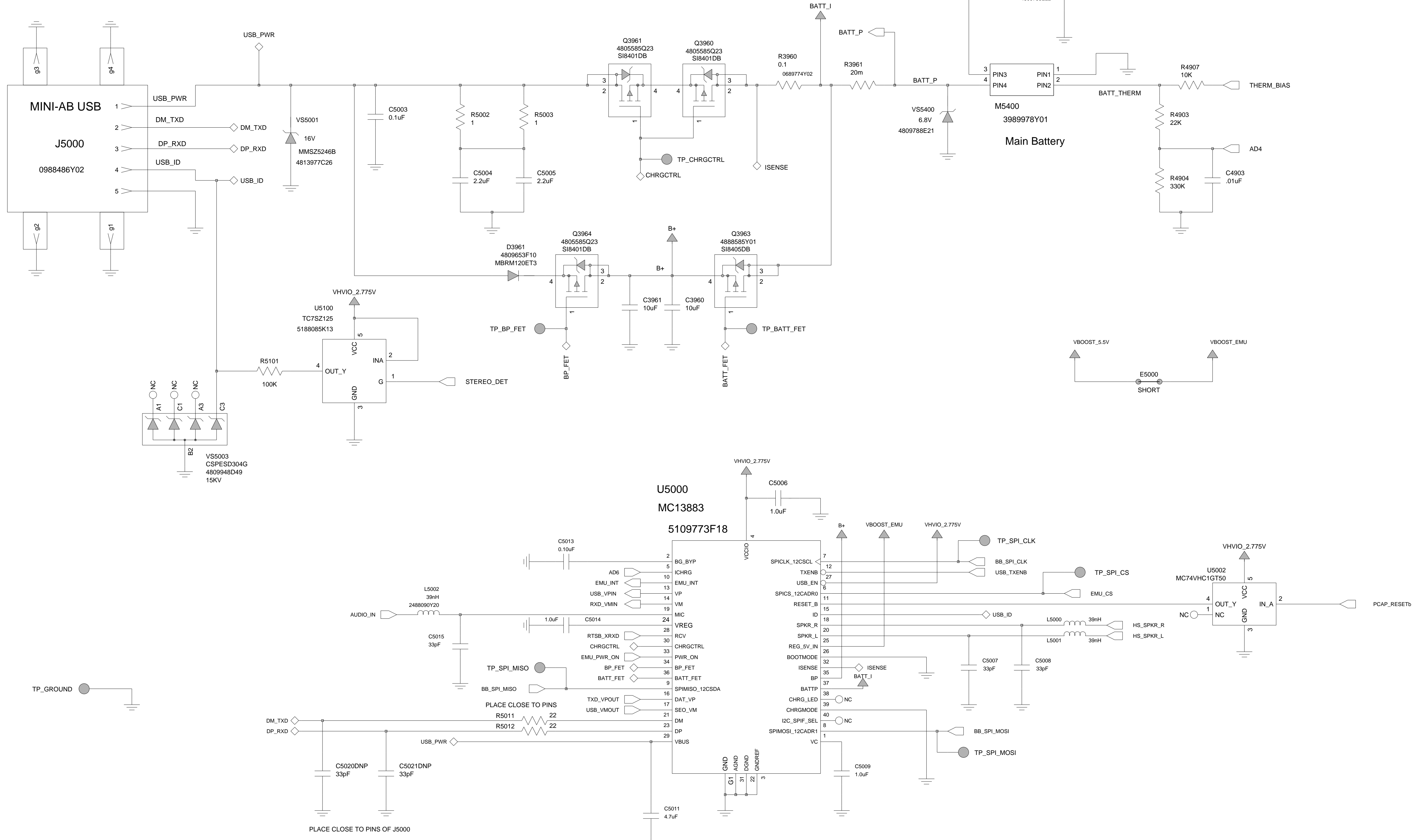
HINGE FLEX GROUND CONTACT



TRANSFASH CONNECTIONS



| | | | |
|--------------------|-----------------------|------------------|----------|
| Engineer: | | | |
| Drawn by: | | | |
| R&D CHK: | TITLE: TARAZED | Page: 18 | Of: 20 |
| DOC CTRL CHK: | Size: | | |
| MFG CTRL CHK: | REV: A | | |
| QA CHK: | REV: A | Drawing Number: | Page: 18 |
| Changed by: ARC127 | Date: 6th Sep 2005 | Time: 3:12:01 pm | |



A

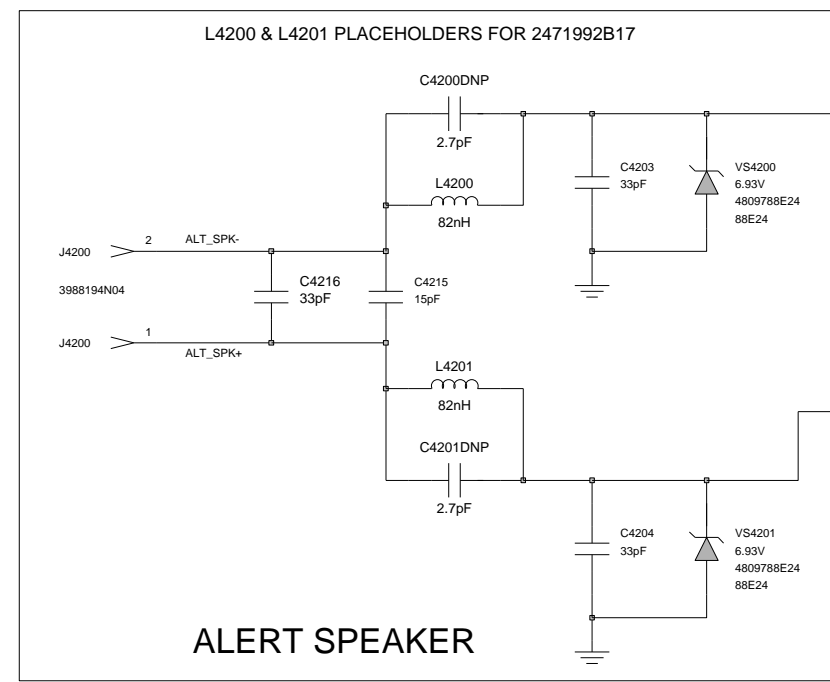
B

C

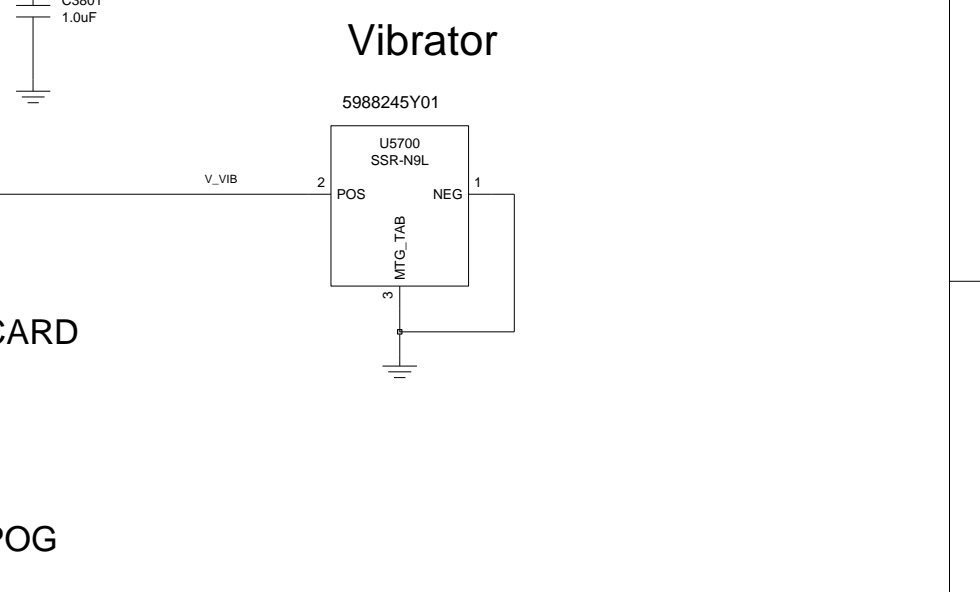
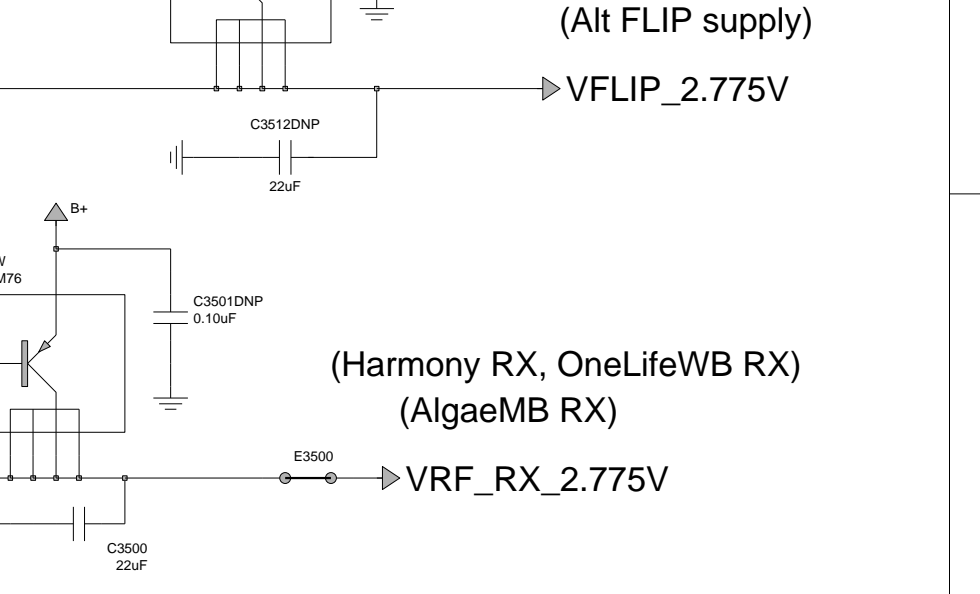
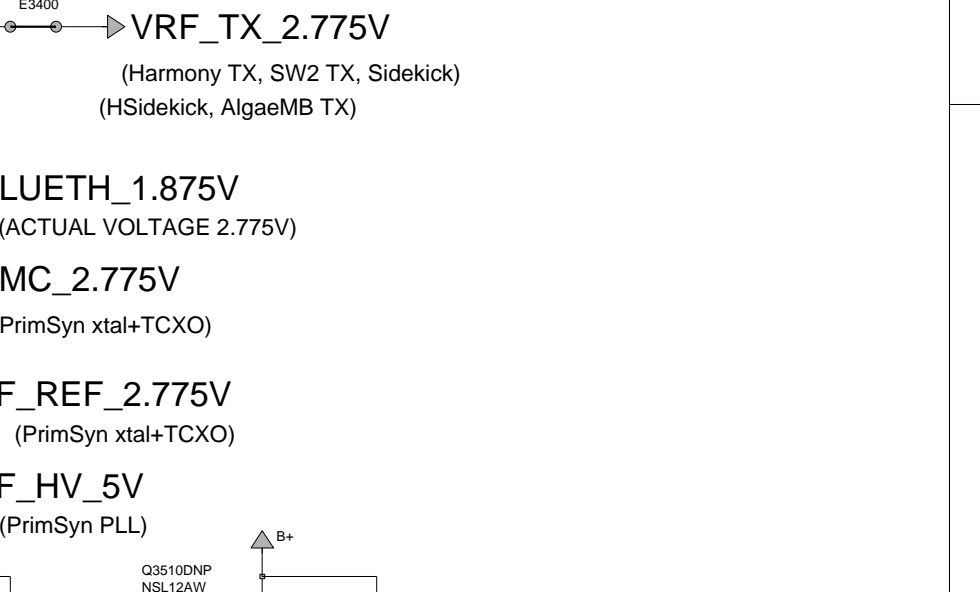
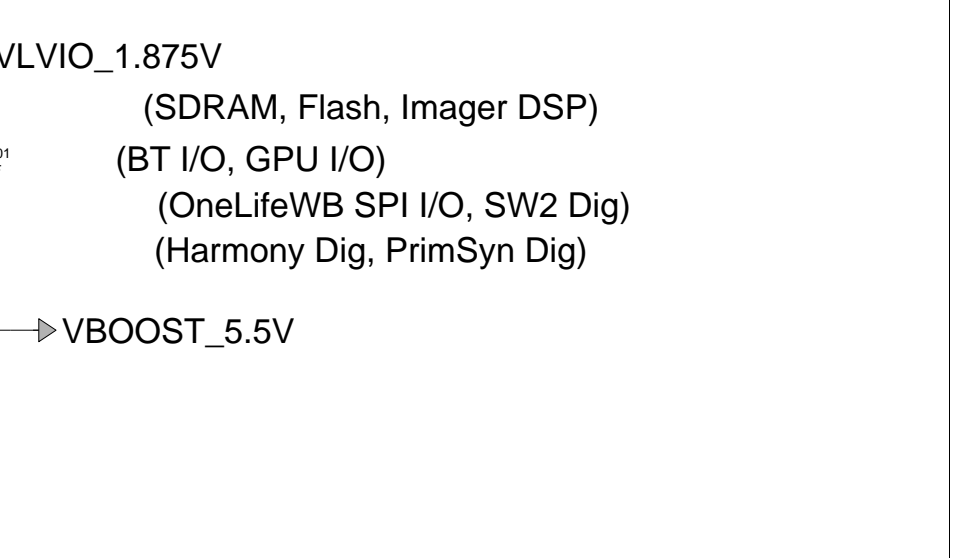
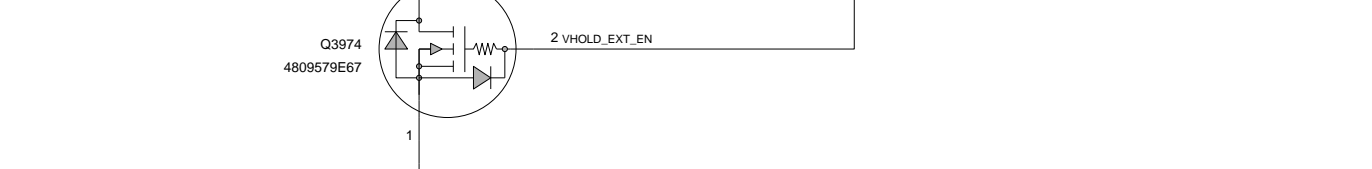
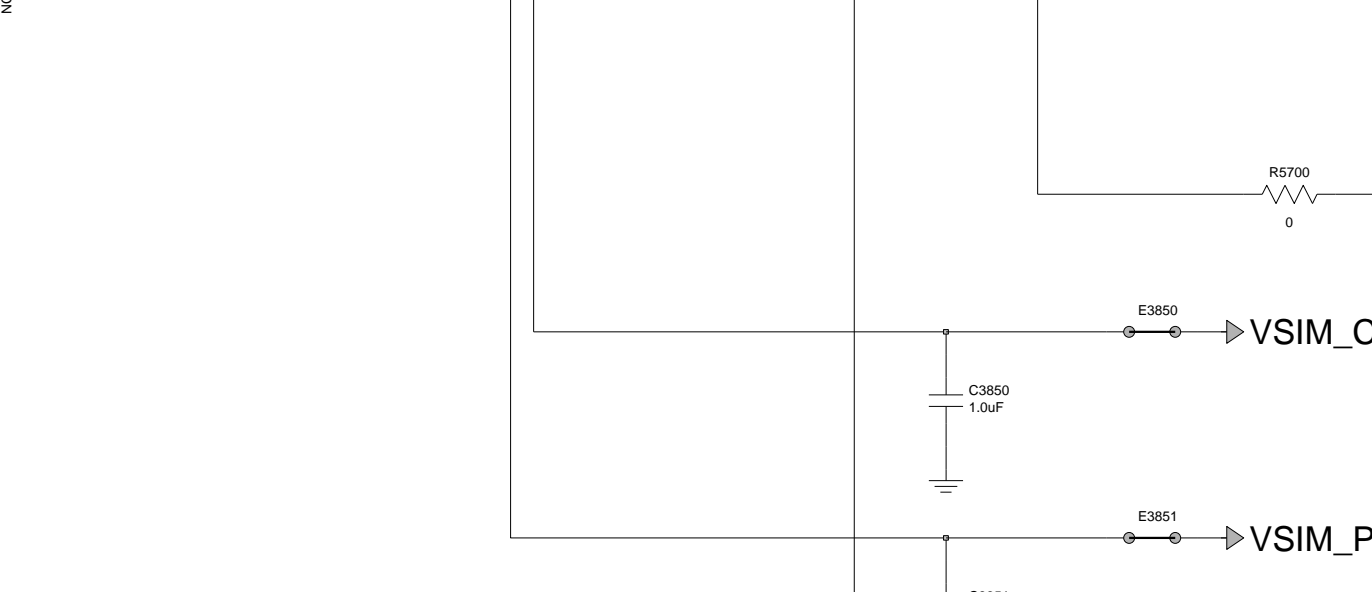
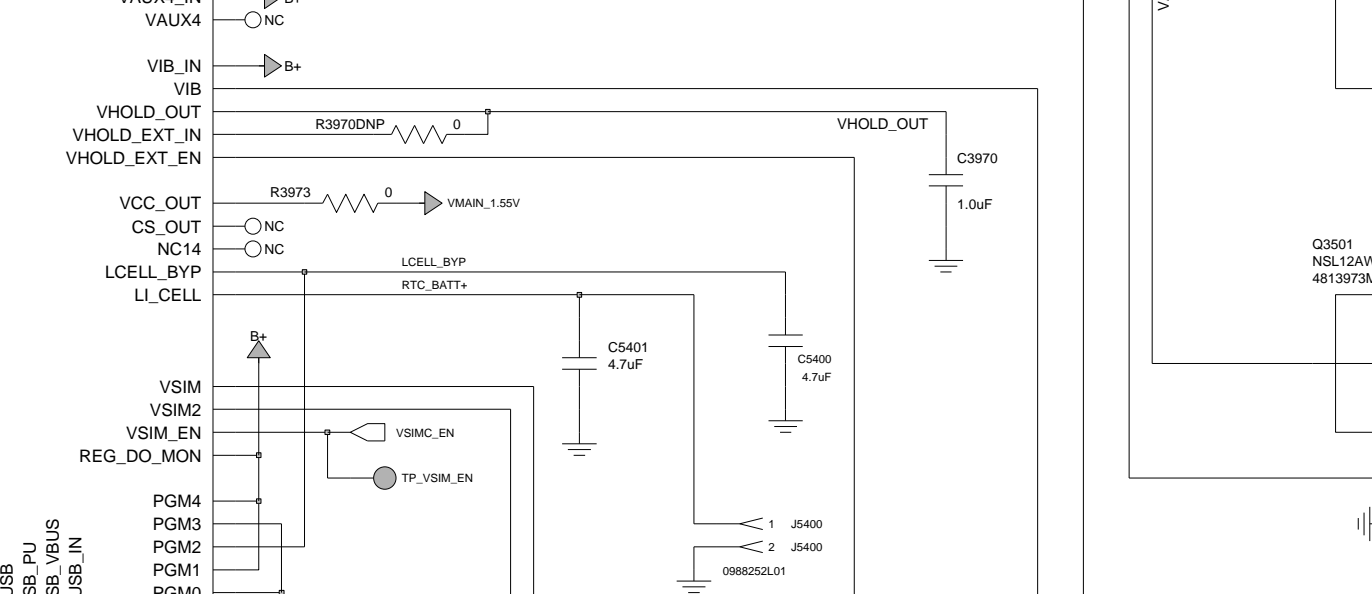
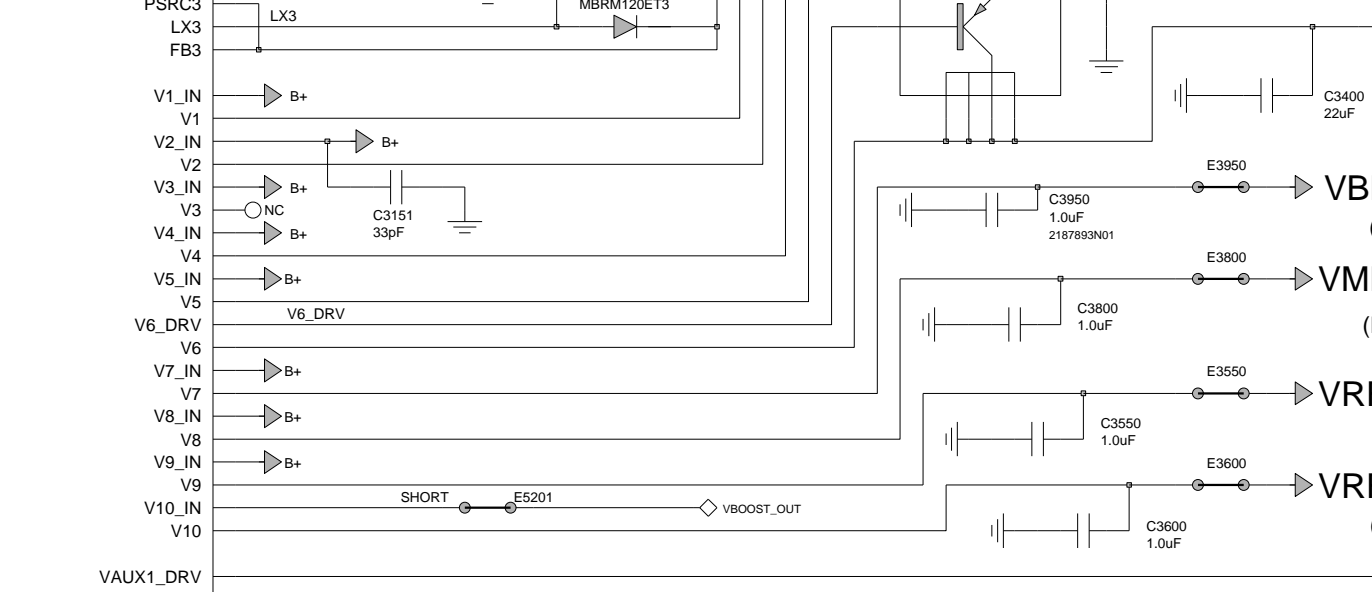
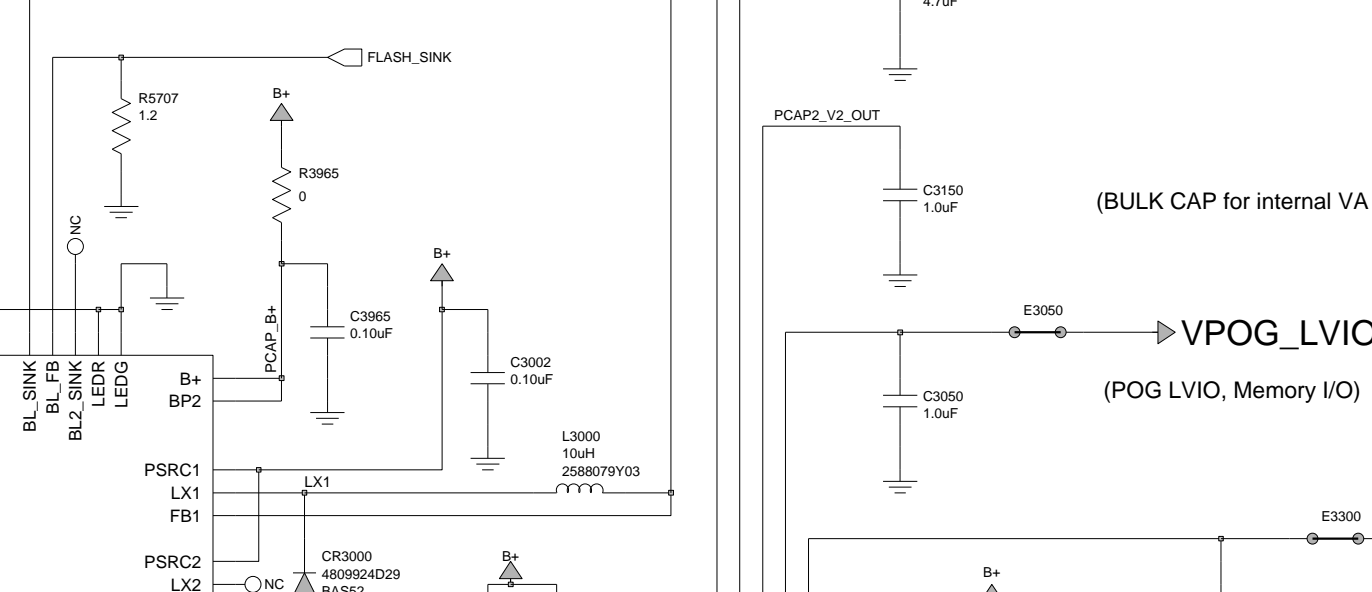
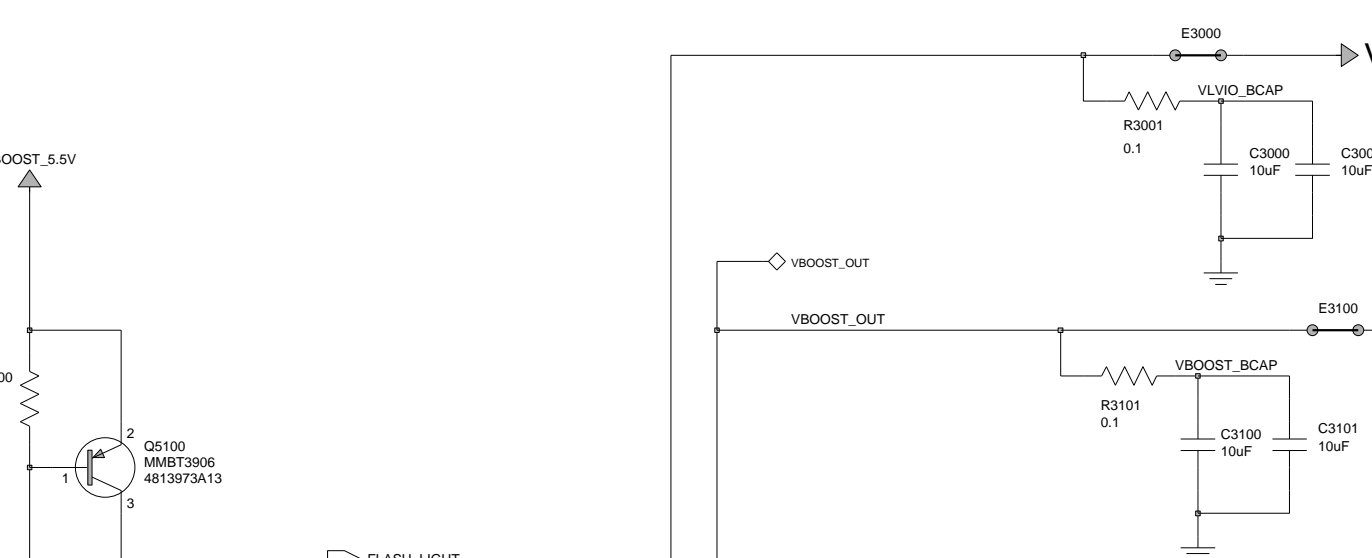
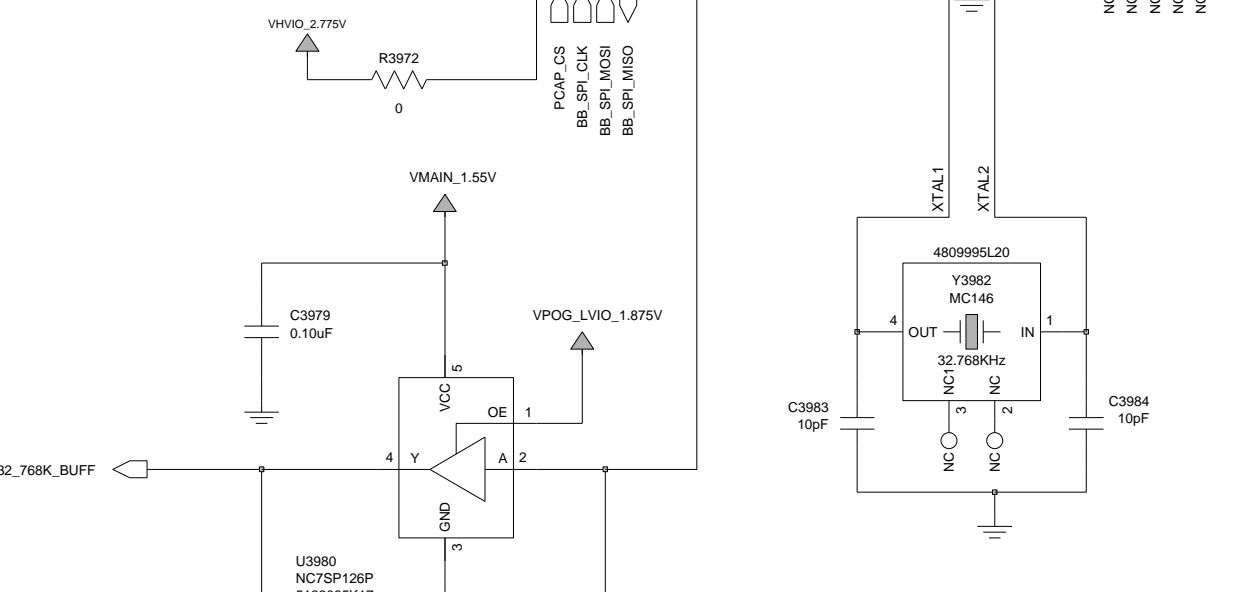
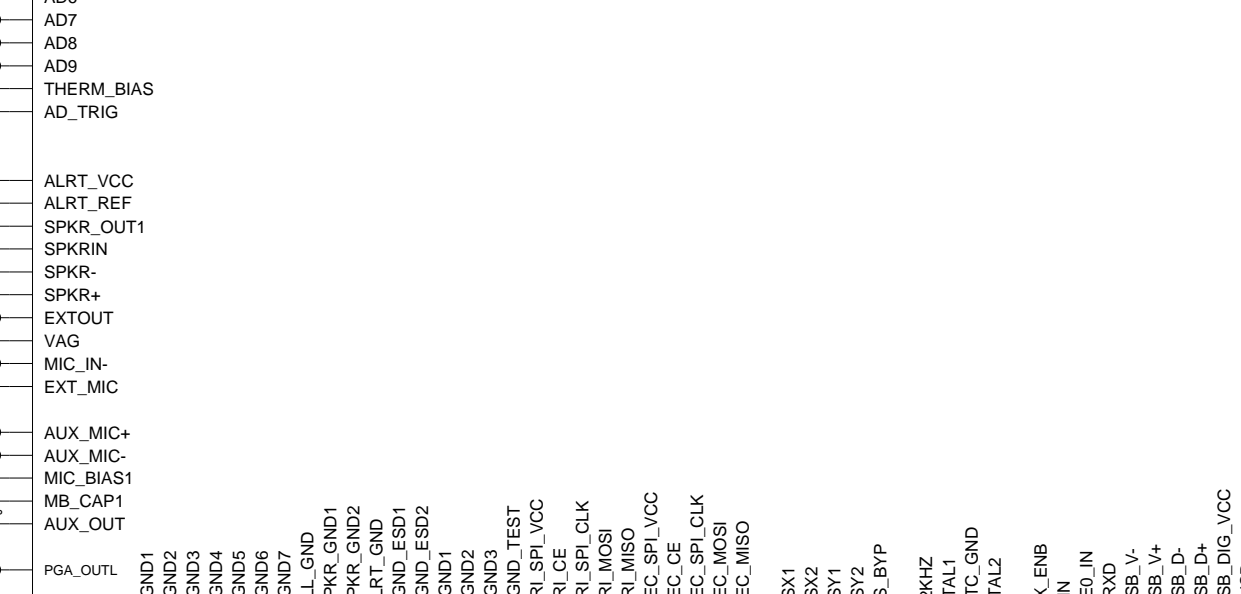
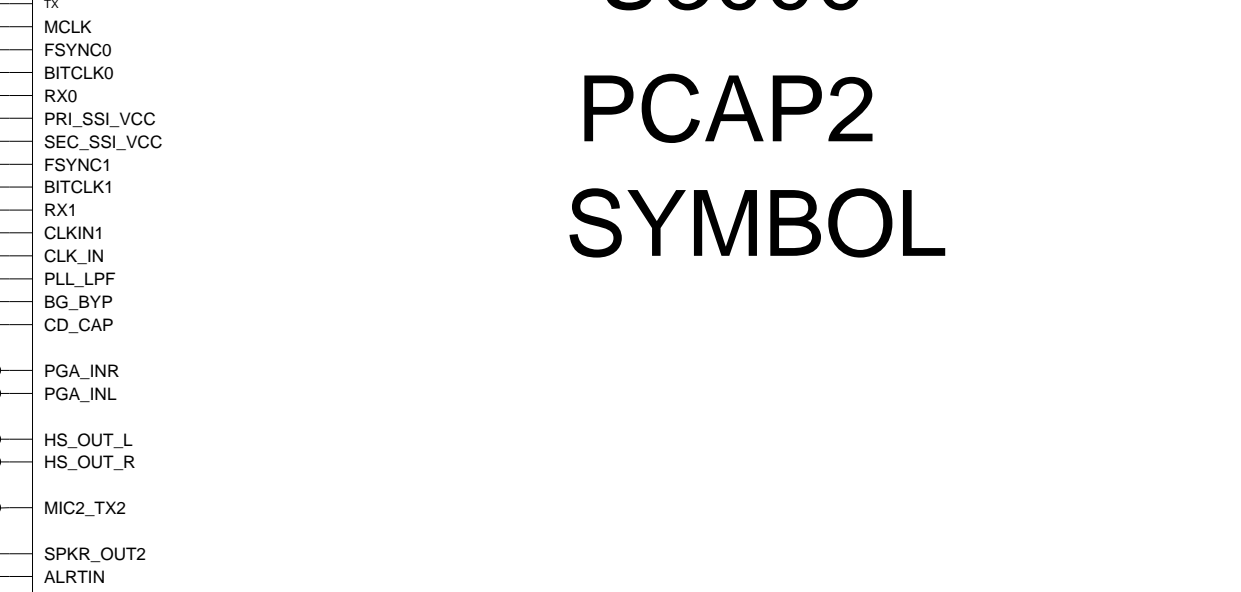
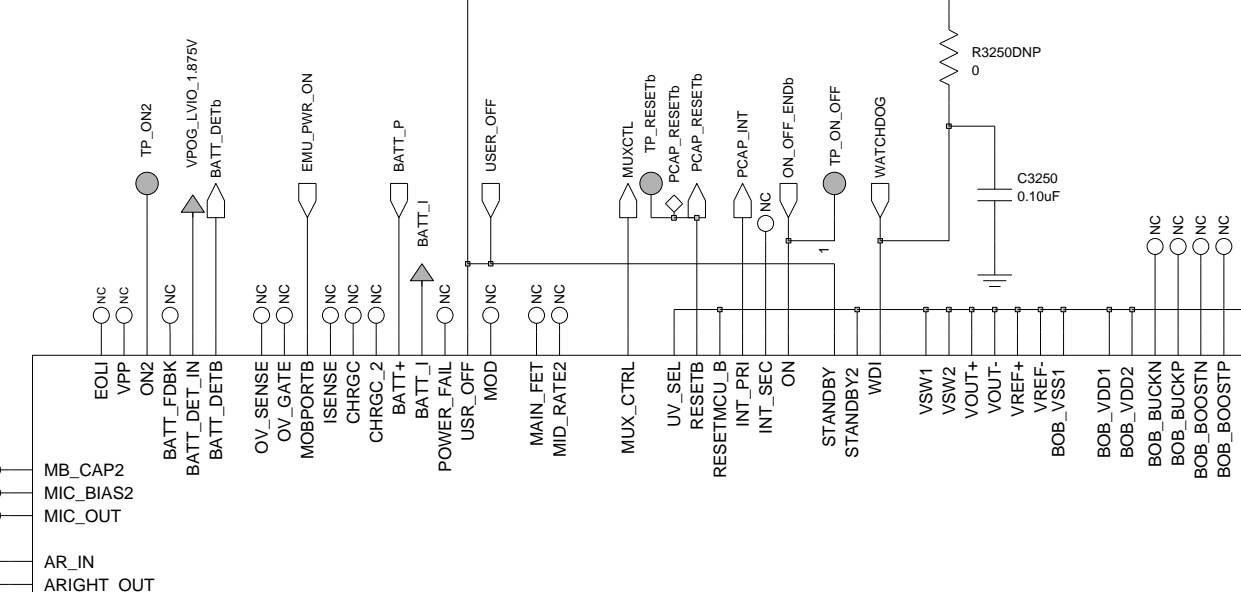
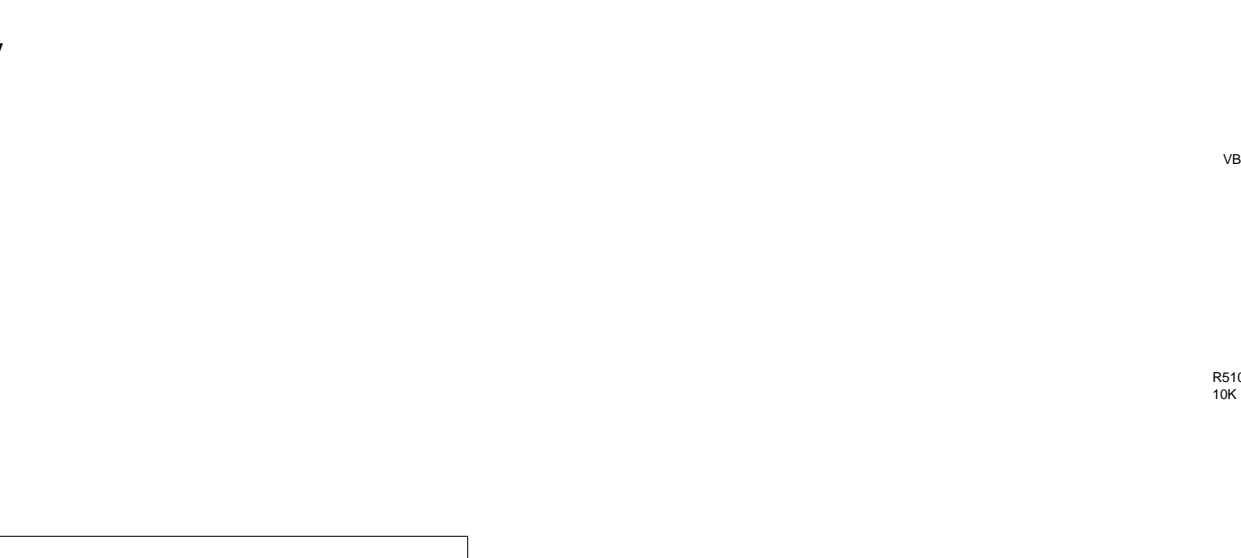
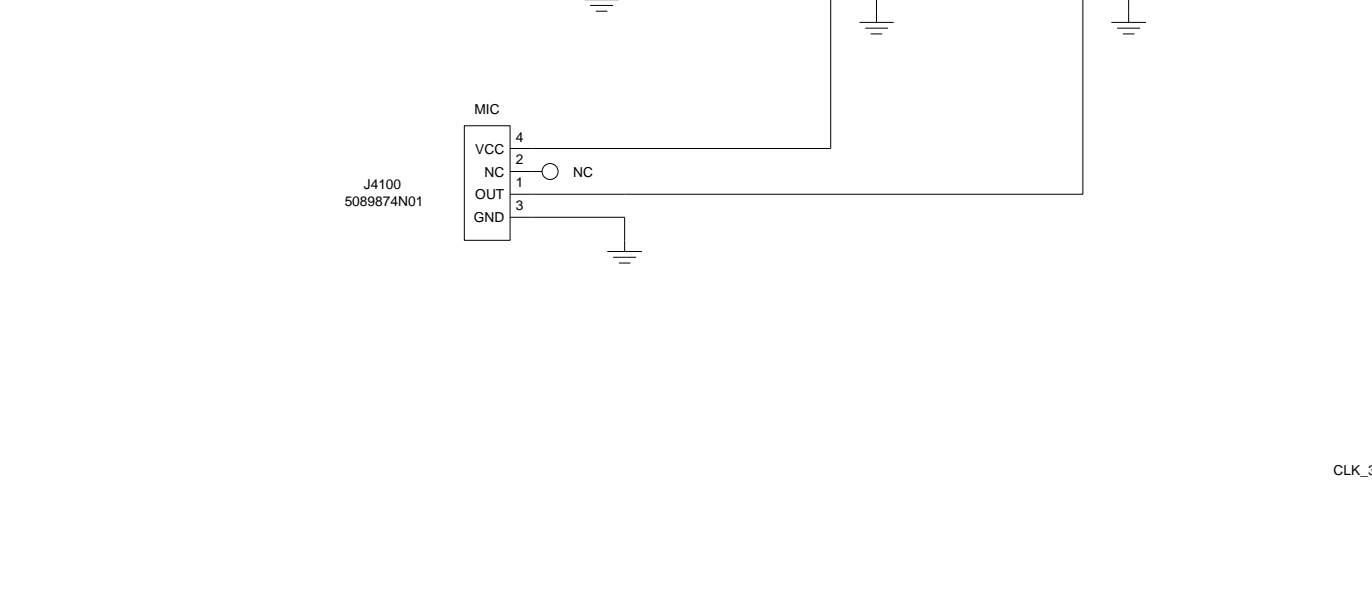
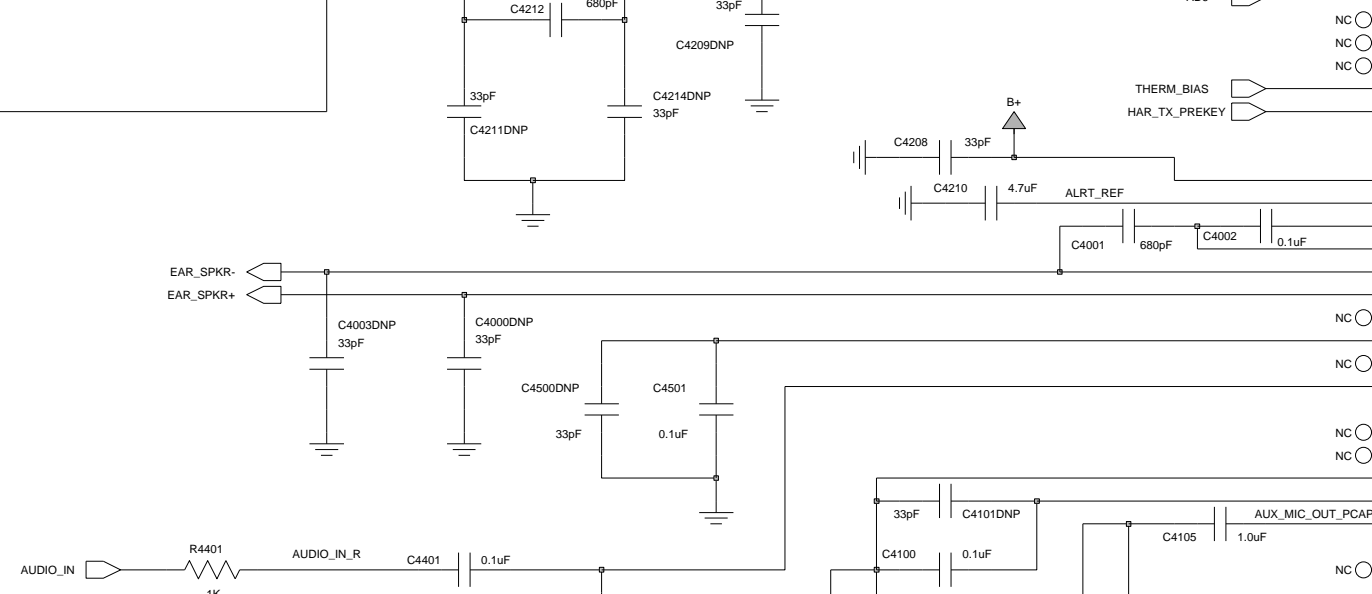
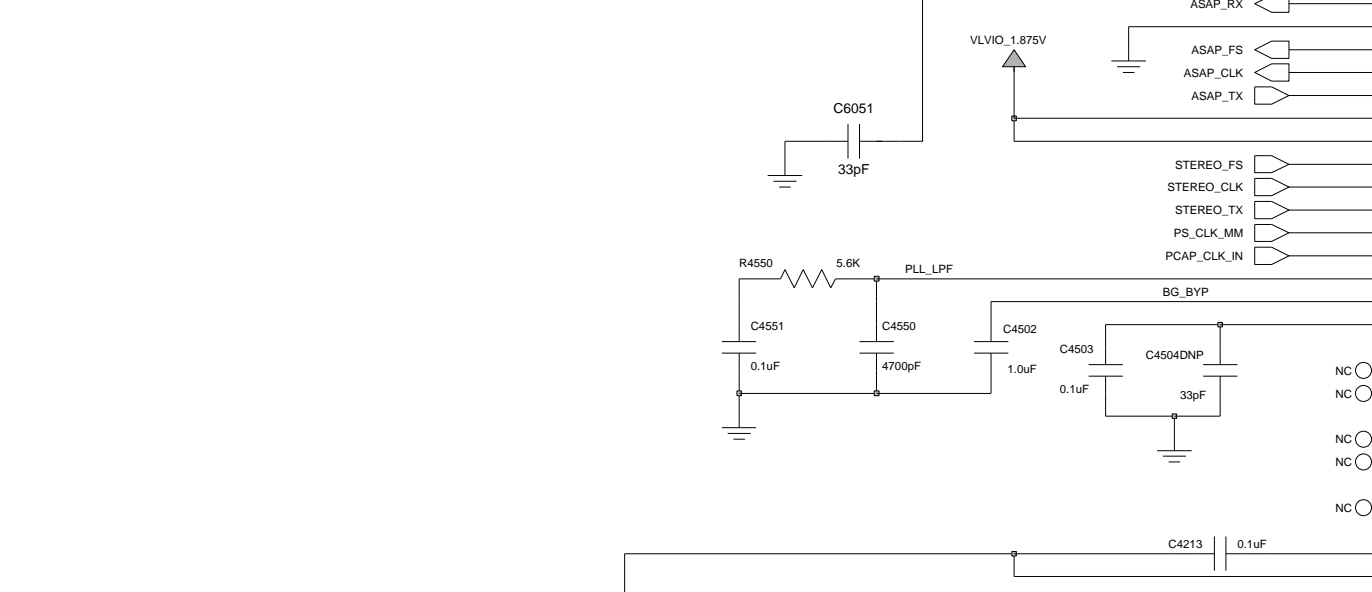
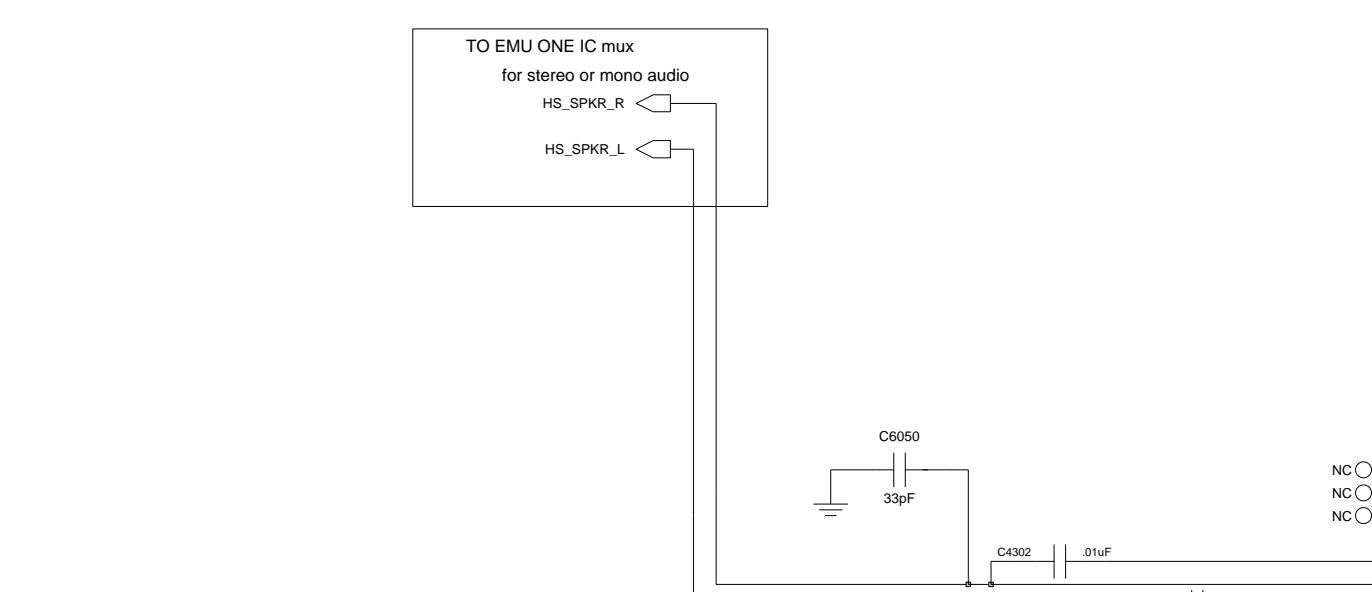
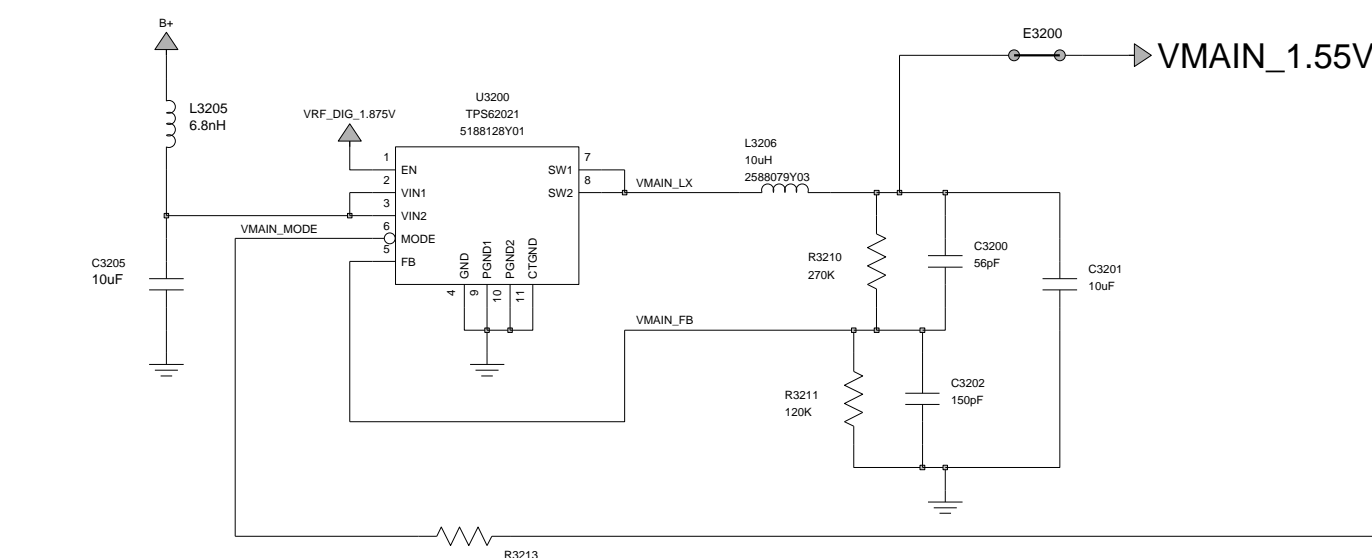
D

(POG Core)
(GPU Core)

U3000 PCAP2 SYMBOL



ALERT SPEAKER



| | | | |
|-------------|-----------------|---------------|---------|
| Engineer: | MOTOROLA INC. | | |
| Drawn by: | TARAZED | | |
| R&D CHK: | DOC CTRL CHK: | MFG CTRL CHK: | QA CHK: |
| REV: A | Drawing Number: | Page: 19 | Of: 20 |
| Changed by: | Date: | Time: | |
| ARC127 | 8th Sep 2005 | 3:23:51 pm | |

TARAZED PCAP2 IC

| | | | |
|--------------------|---------------------|------------------|-----------------|
| Engineer: | | | |
| Drawn by: | | | |
| R&D CHK: | TITLE: | Size: | |
| DOC CTRL CHK: | | | |
| MFG CTRL CHK: | | | |
| QA CHK: | REV: A | Drawing Number: | Page: 20 Of: 20 |
| Changed by: ARC127 | Date: 1st JUNE 2005 | Time: 2:45:16 pm | |

A
B
C
D

