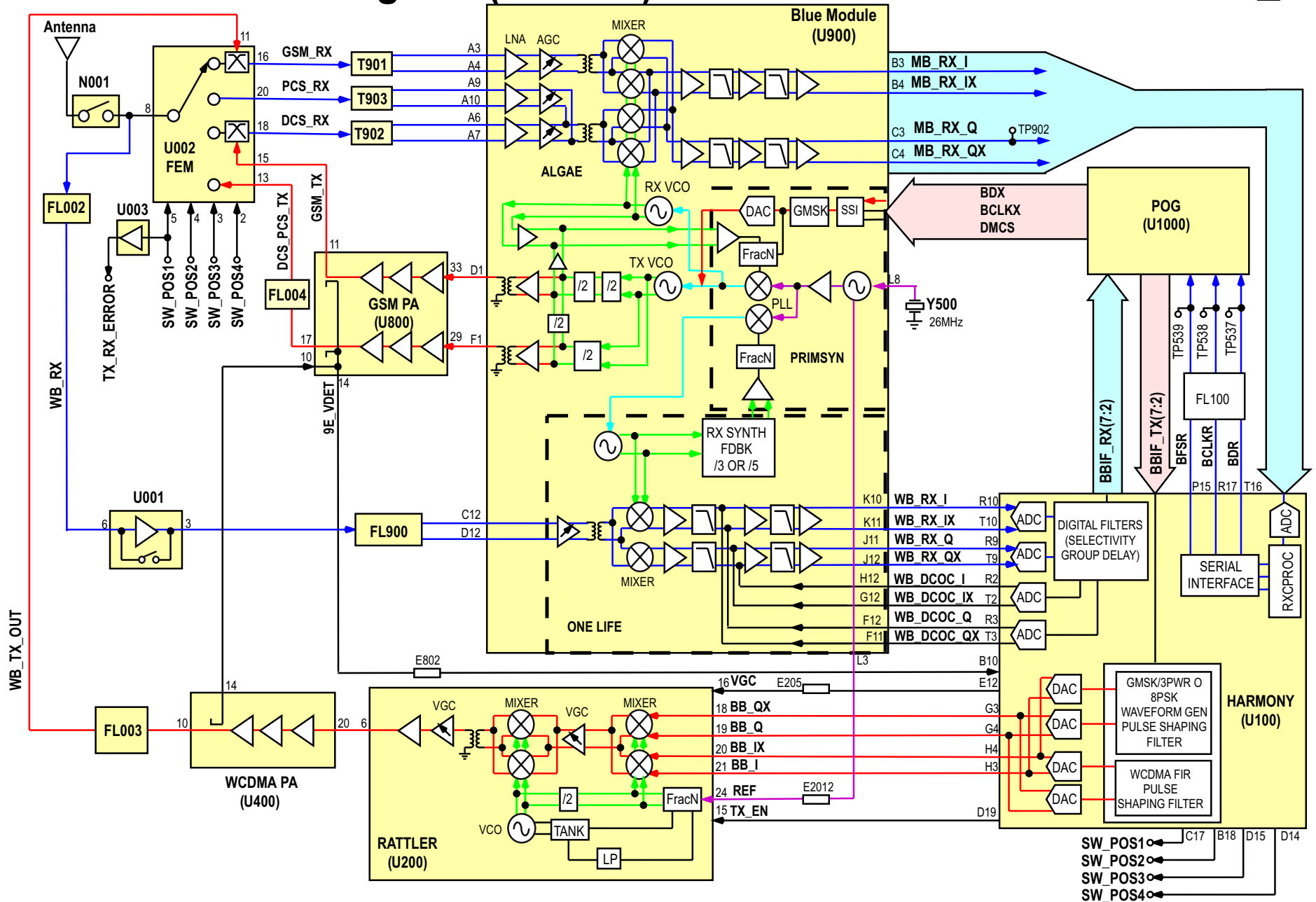


# E1000: RF Block Diagram (Rev 1.2)

PCB: 8489659N07 Iss P7C\_0



Motorola Confidential Proprietary