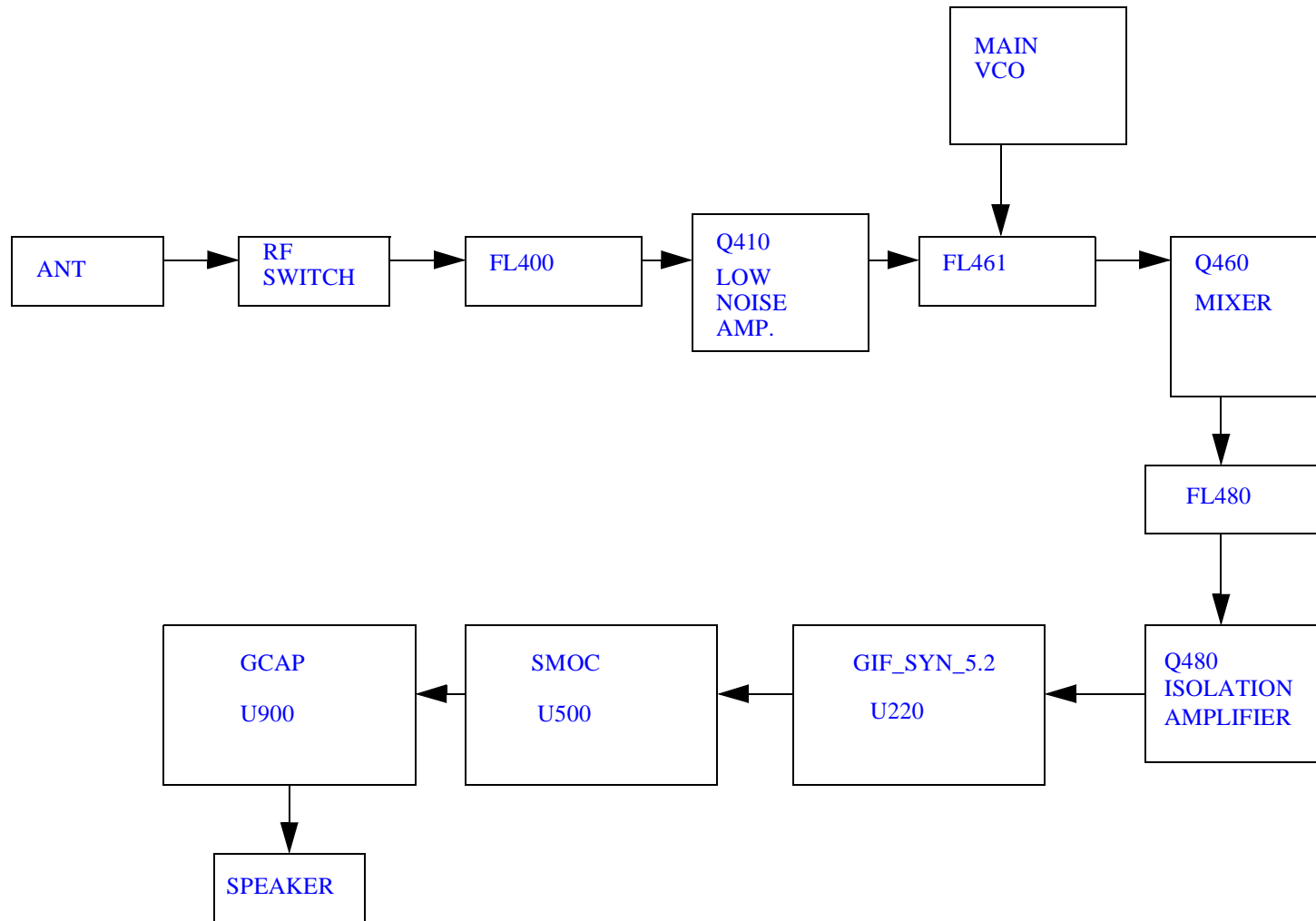




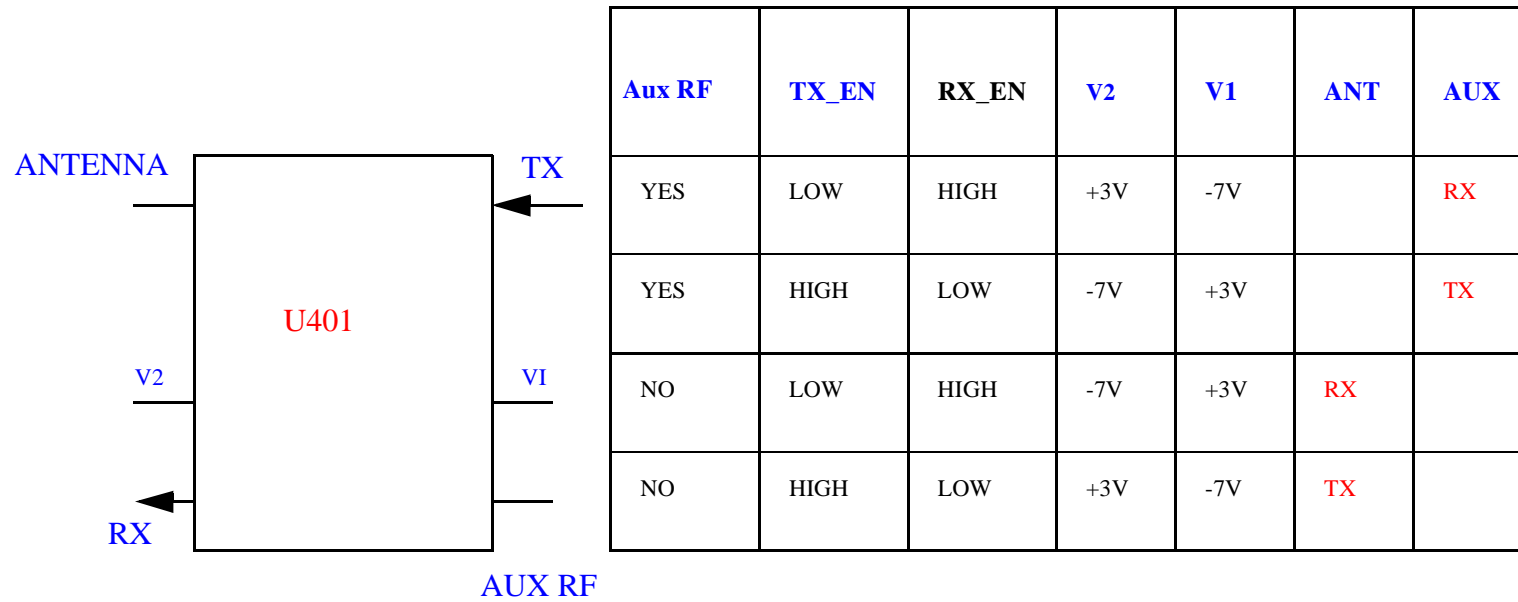
MOTOROLA



ZAP RECEIVER BLOCK DIAGRAM (GSM)



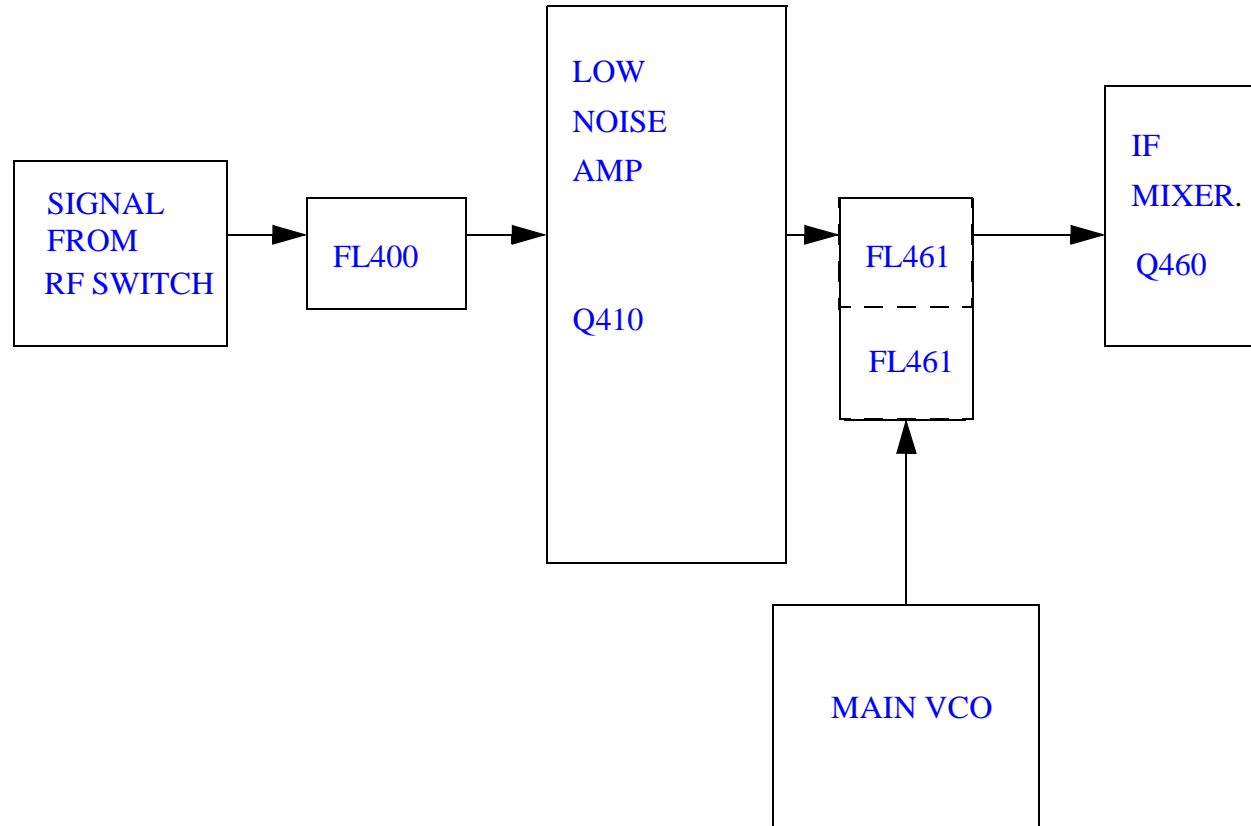
MOTOROLA



ZAP T/R SWITCH COMBINATIONS



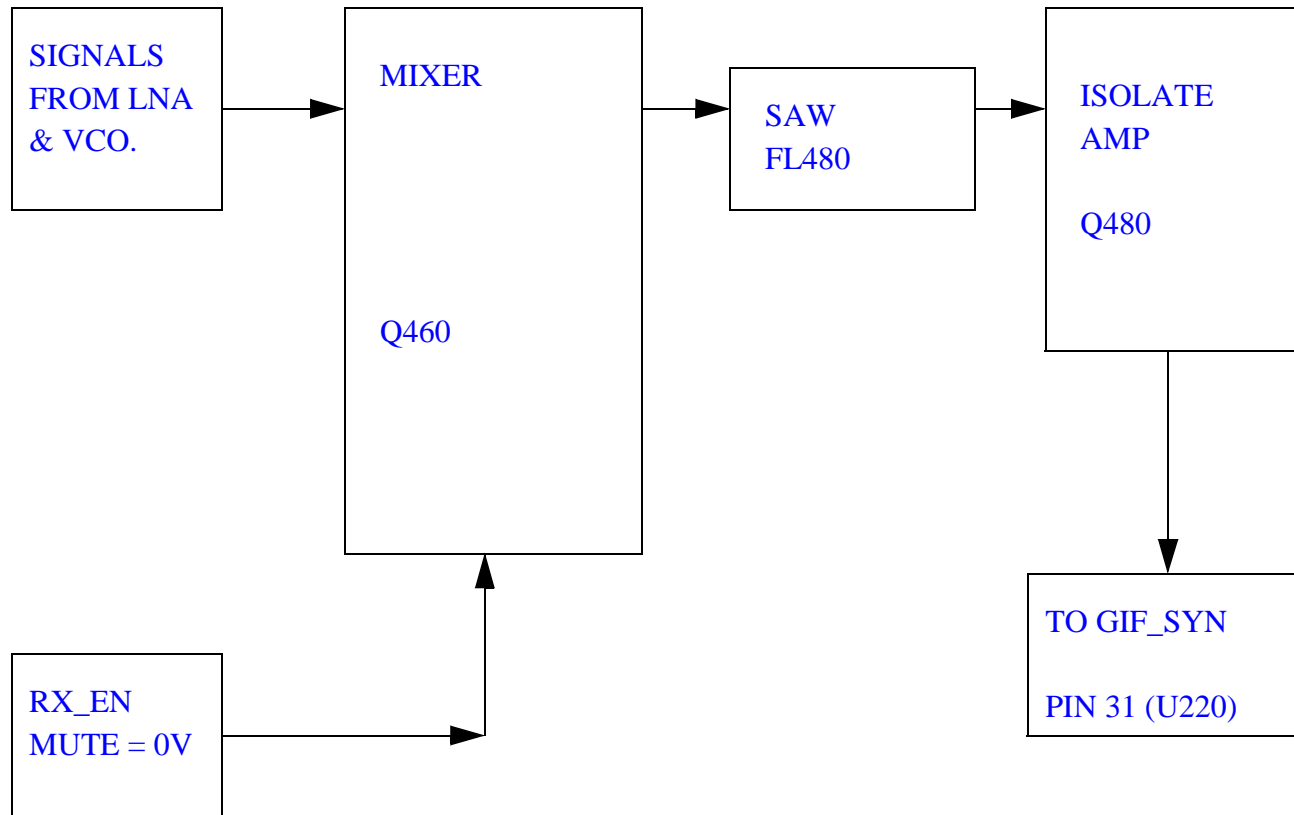
MOTOROLA



RF SWITCH TO RECEIVER FRONT END BLOCK DIAGRAM (GSM)



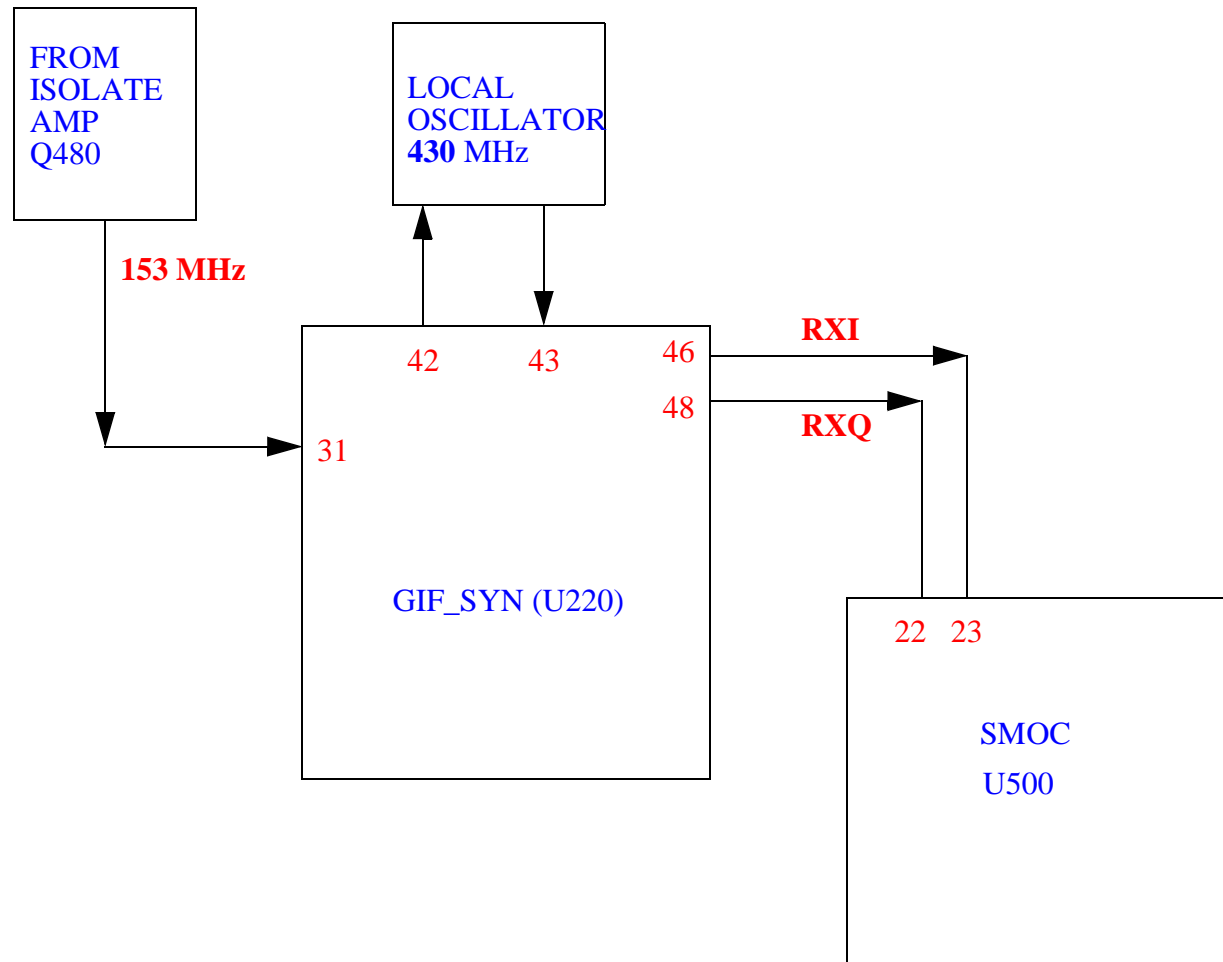
MOTOROLA



BLOCK DIAGRAM OUTPUT OF LNA TO GIF_SYN (GSM).



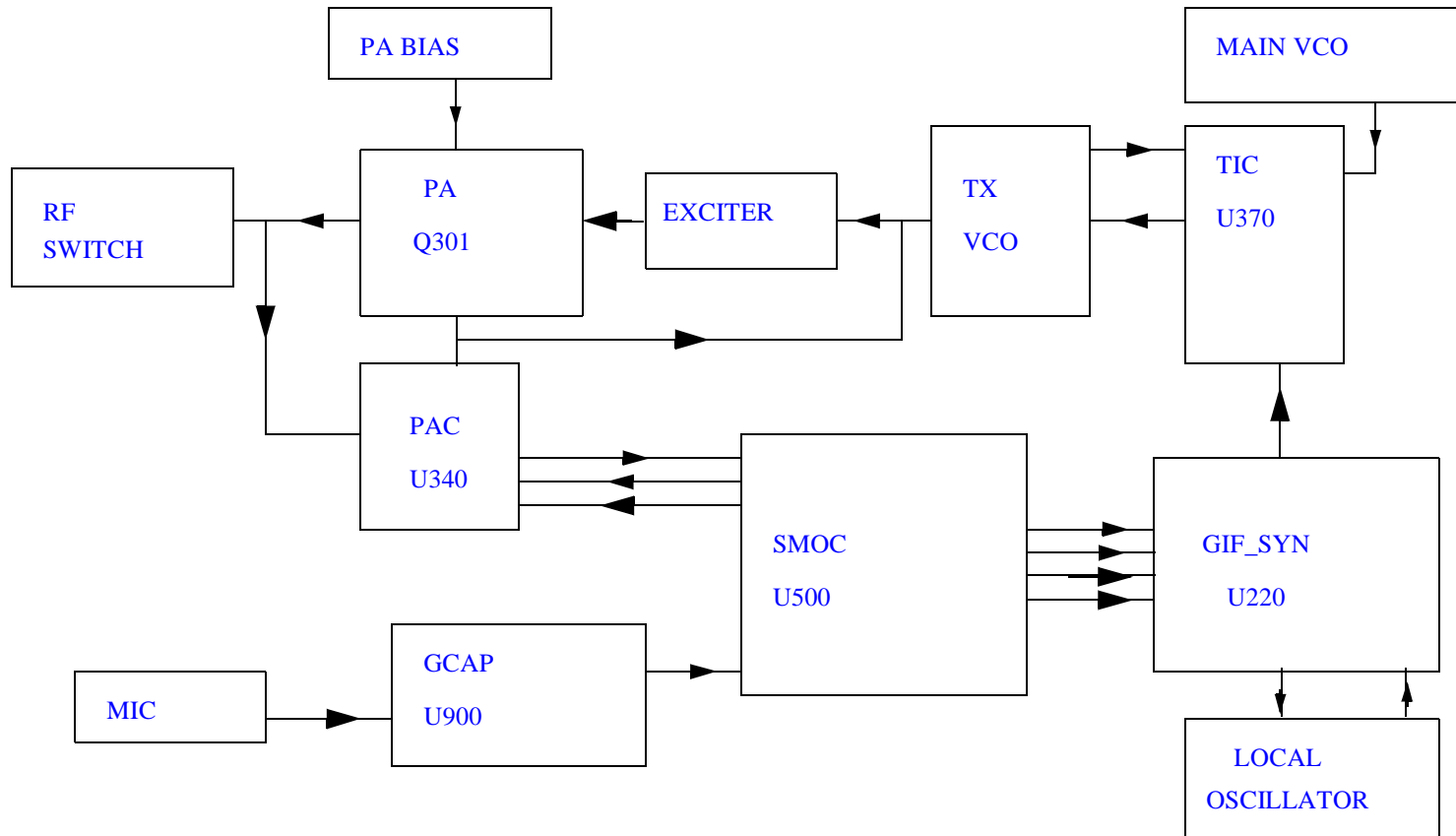
MOTOROLA



BLOCK DIAGRAM ISOLATE AMP TO SMOC (GSM).



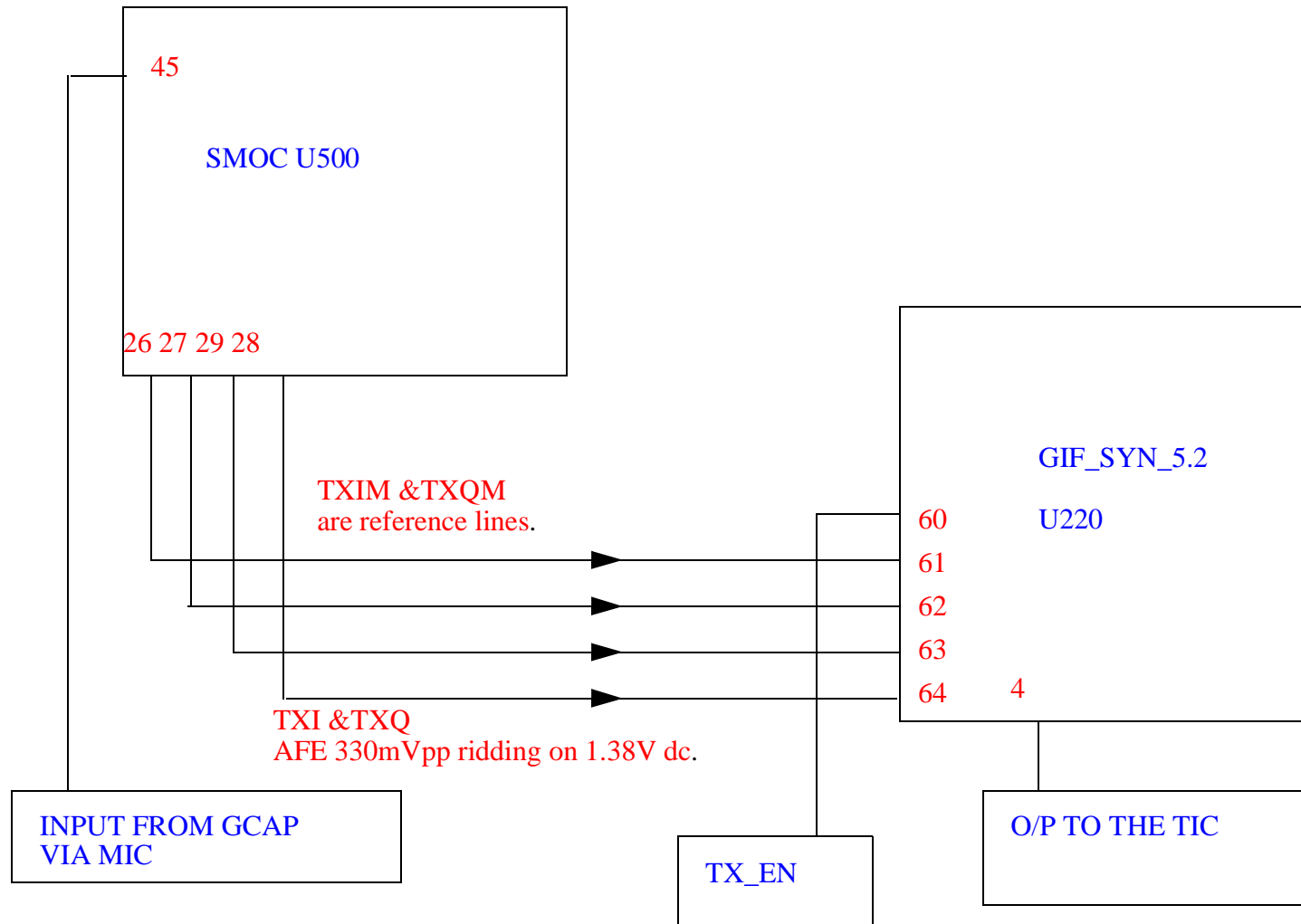
MOTOROLA



ZAP TX BLOCK DIAGRAM.



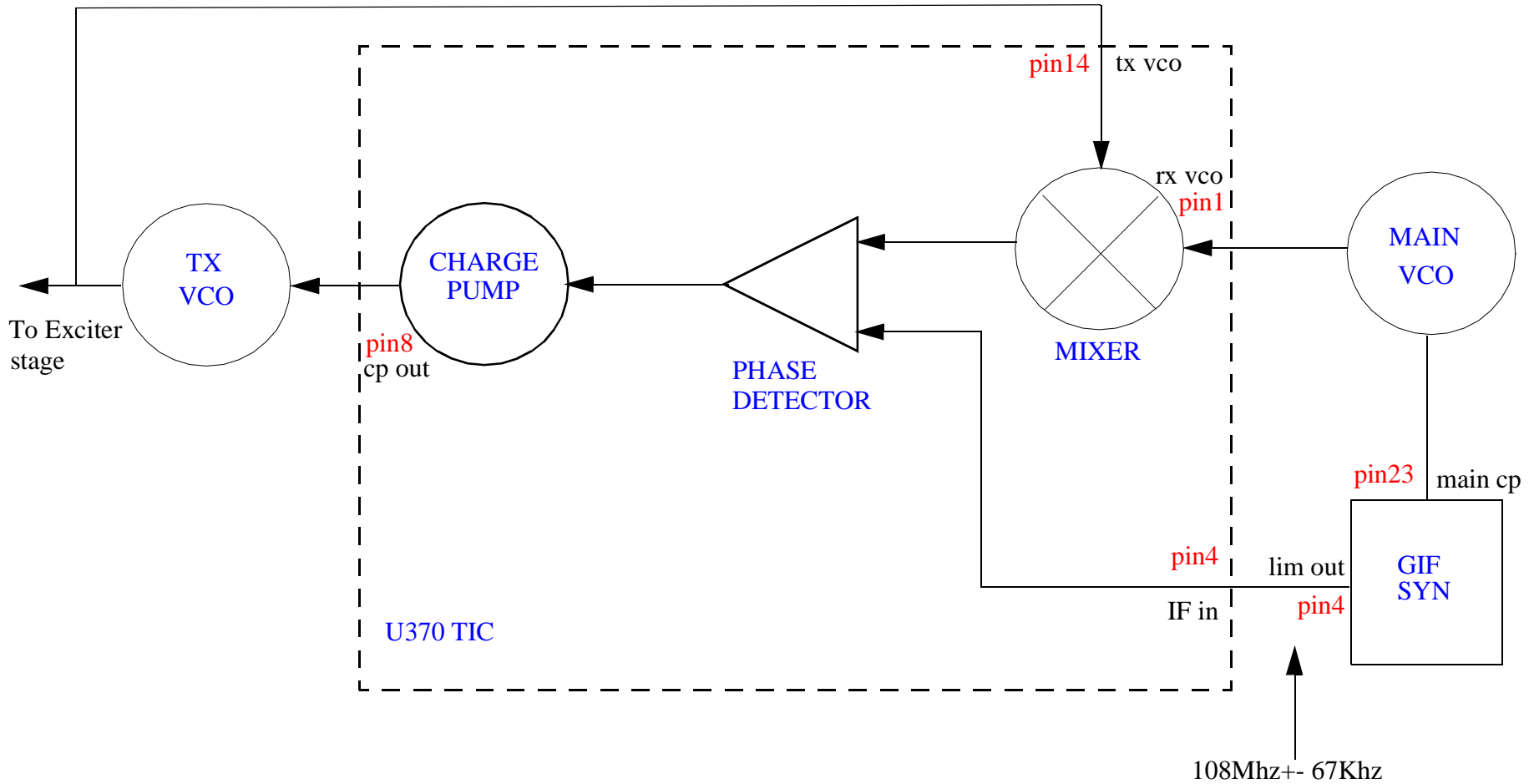
MOTOROLA



MIC TO GIF_ SYN BLOCK DIAGRAM

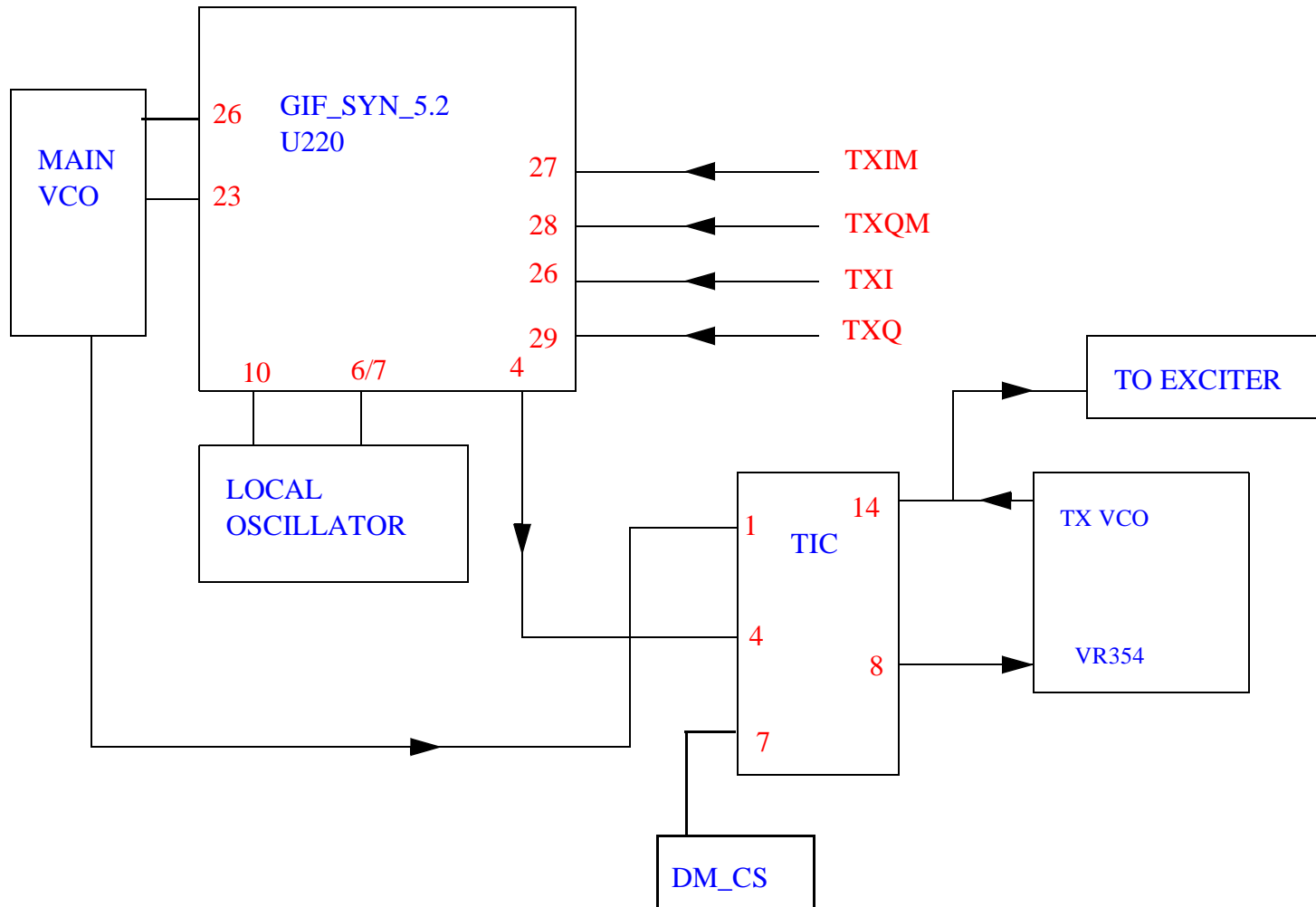


MOTOROLA





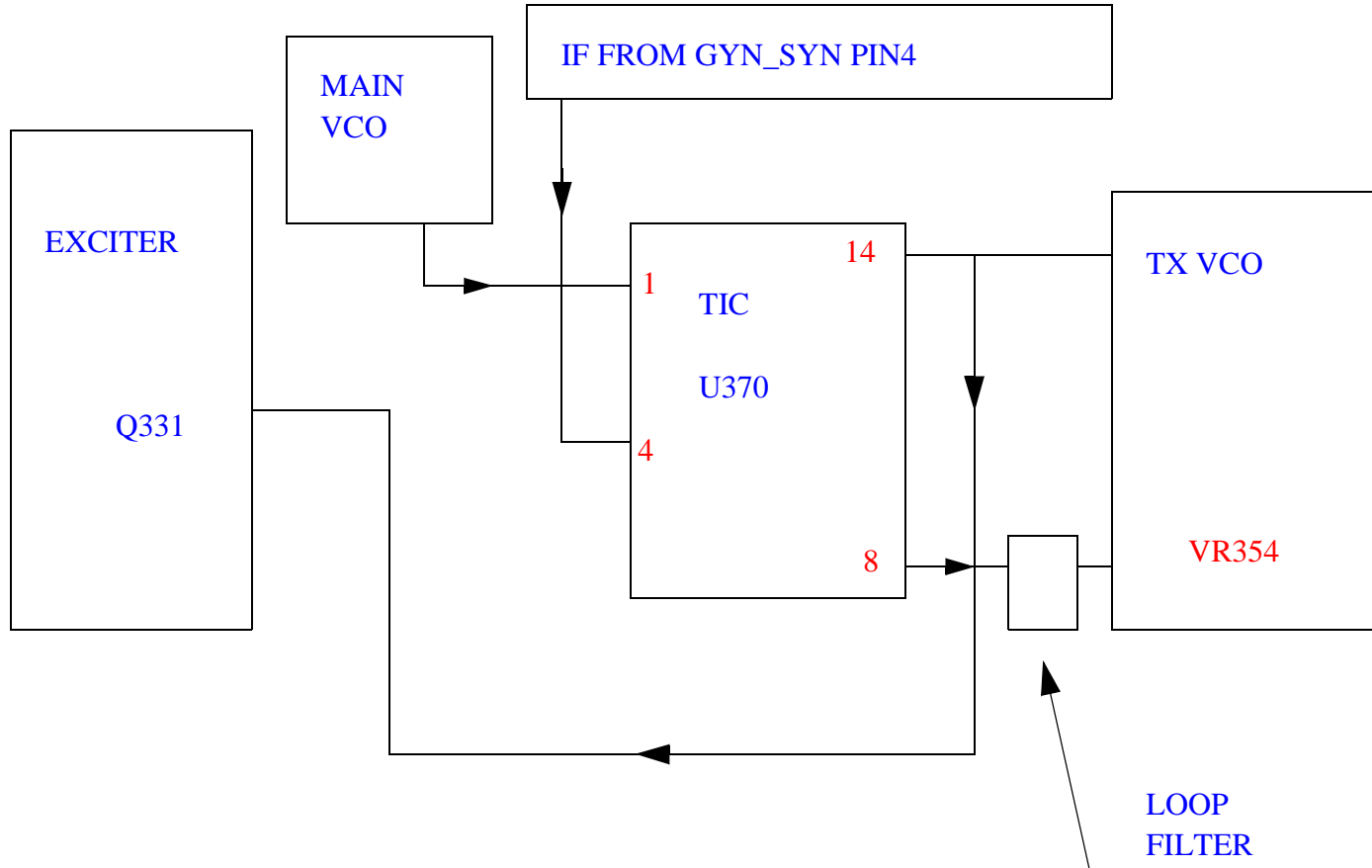
MOTOROLA



ZAP GIF SYN TO TIC BLOCK DIAGRAM (GSM)



MOTOROLA



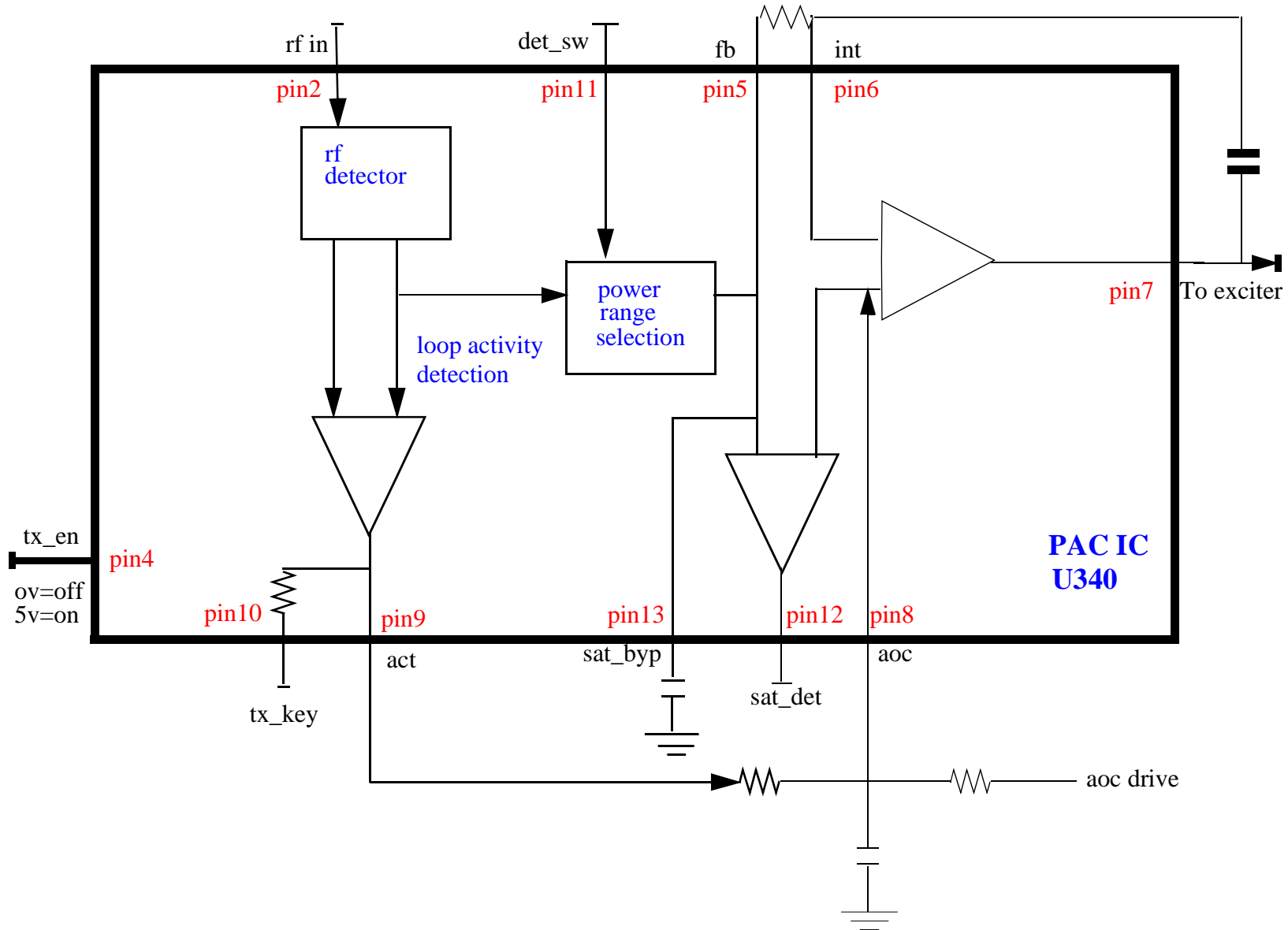
TX VCO TO EXCITER BLOCK DIAGRAM (GSM)



MOTOROLA

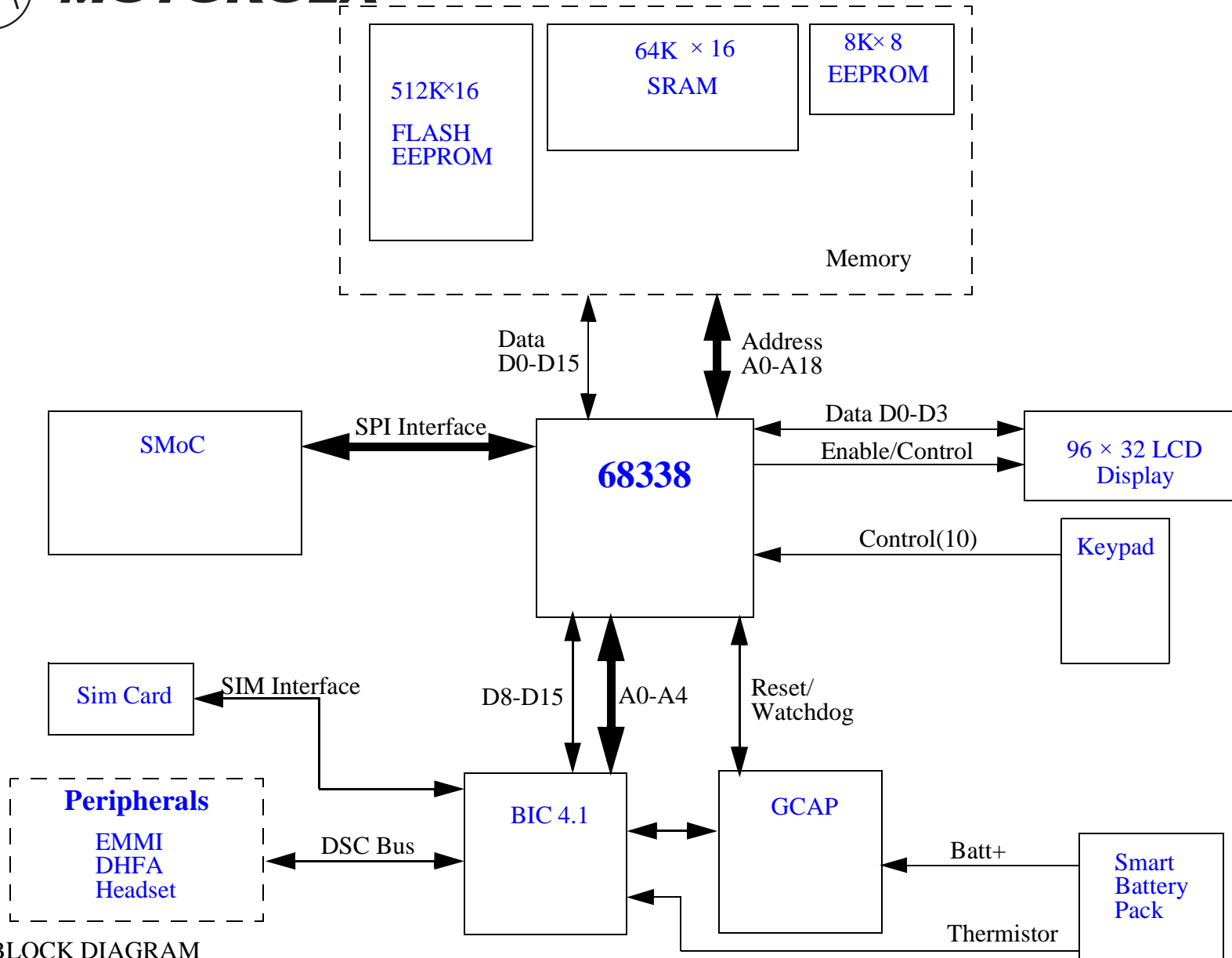
1.8Ghz max
7v peak max

power range
0v=high/float=low





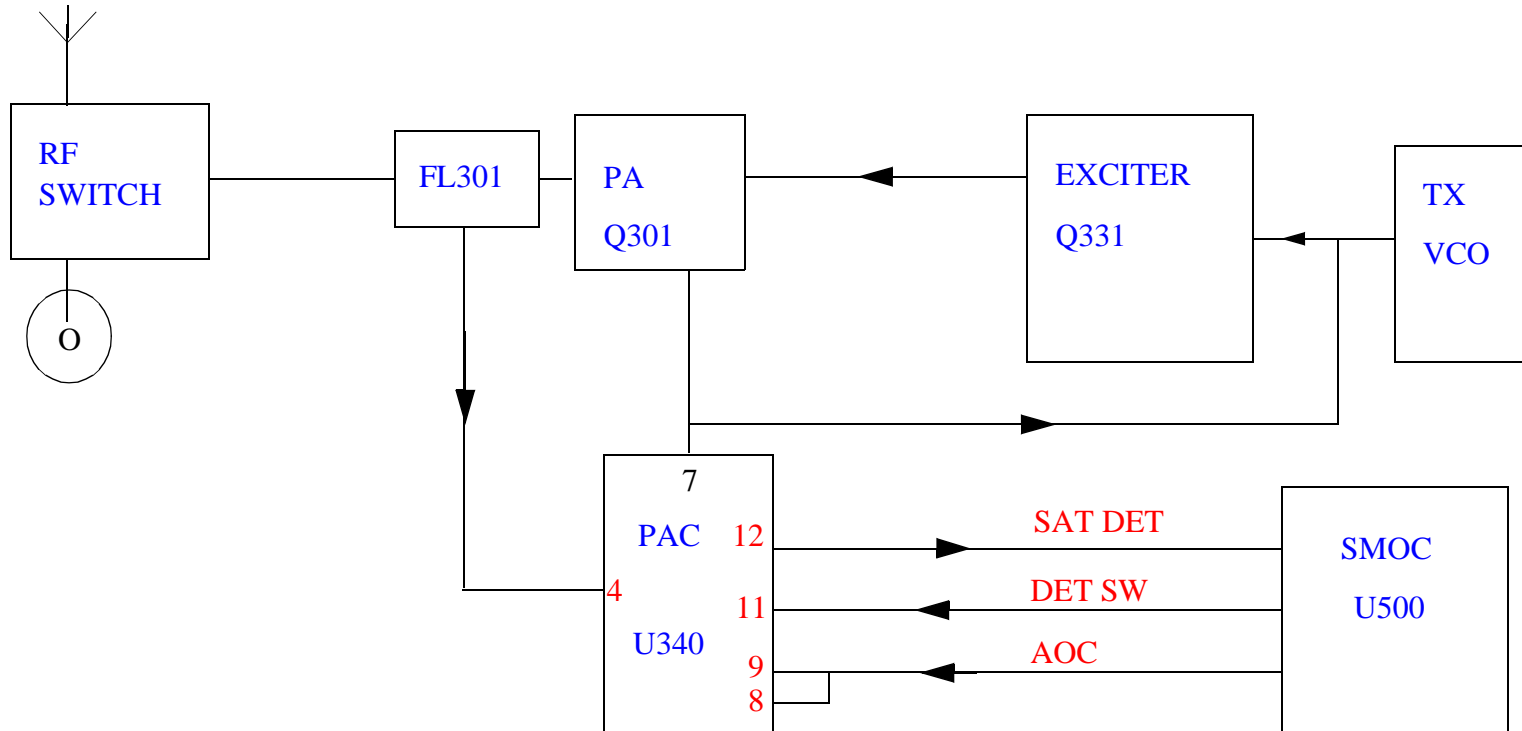
MOTOROLA



LOGIC BLOCK DIAGRAM



MOTOROLA



EXCITER TO POWER AMP BLOCK DIAGRAM



MOTOROLA



MOTOROLA



MOTOROLA