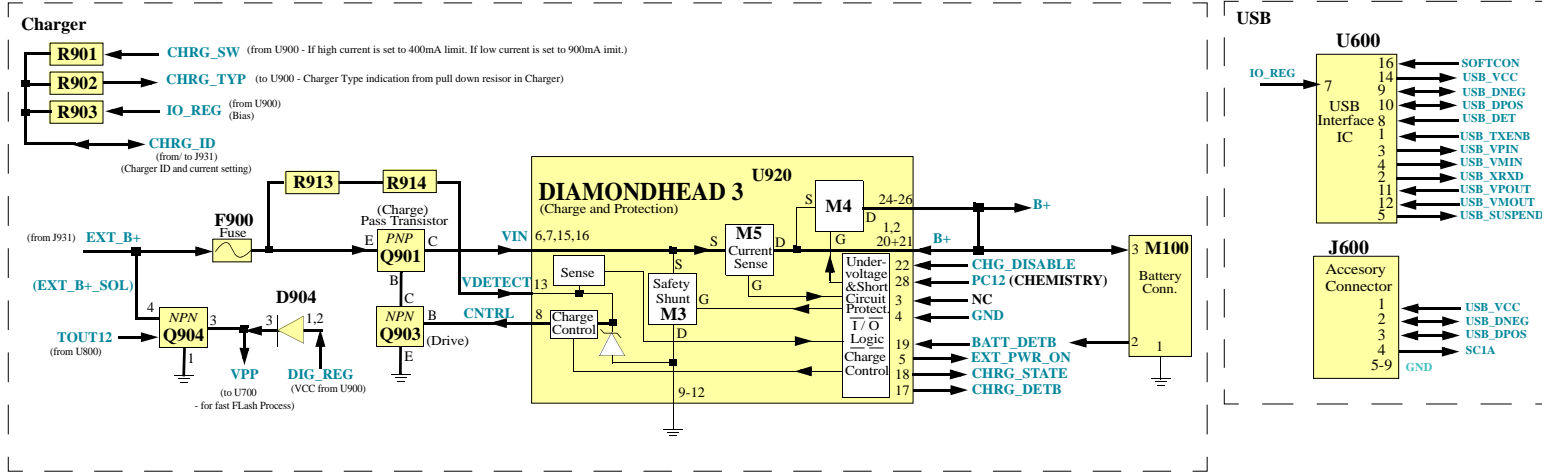
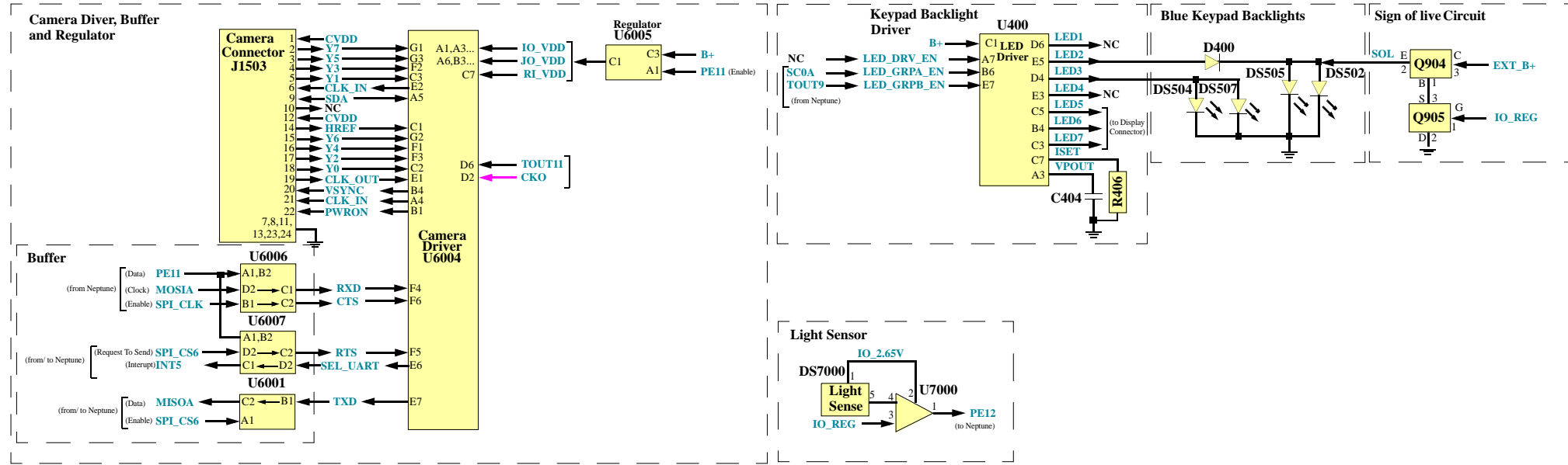


# C650

|                                   |             |
|-----------------------------------|-------------|
| GSM SERVICE SUPPORT GROUP         | 2004.04.02  |
| LEVEL 3 AL Block Diagram          | Rev. 1.1    |
| Dual Band C650                    |             |
| Michael Hansen, Alexander Buehler | Page 1 of 2 |

| Revision Overview |   |
|-------------------|---|
| Rev. 1.0:         | initial Block Diagram                                 |
| Rev. 1.1:         | change two R901 to R902 and R903/ change L404 to L104 |



# C650

|                                   |             |
|-----------------------------------|-------------|
| GSM SERVICE SUPPORT GROUP         | 2004.04.02  |
| LEVEL 3 AL Block Diagram          | Rev. 1.0    |
| Dual Band C650                    |             |
| Michael Hansen, Alexander Buehler | Page 2 of 2 |

| Revision Overview |   |
|-------------------|---|
| Rev. 1.0:         | initial Block Diagram                                 |
| Rev. 1.1:         | change two R901 to R902 and R903/ change L404 to L104 |