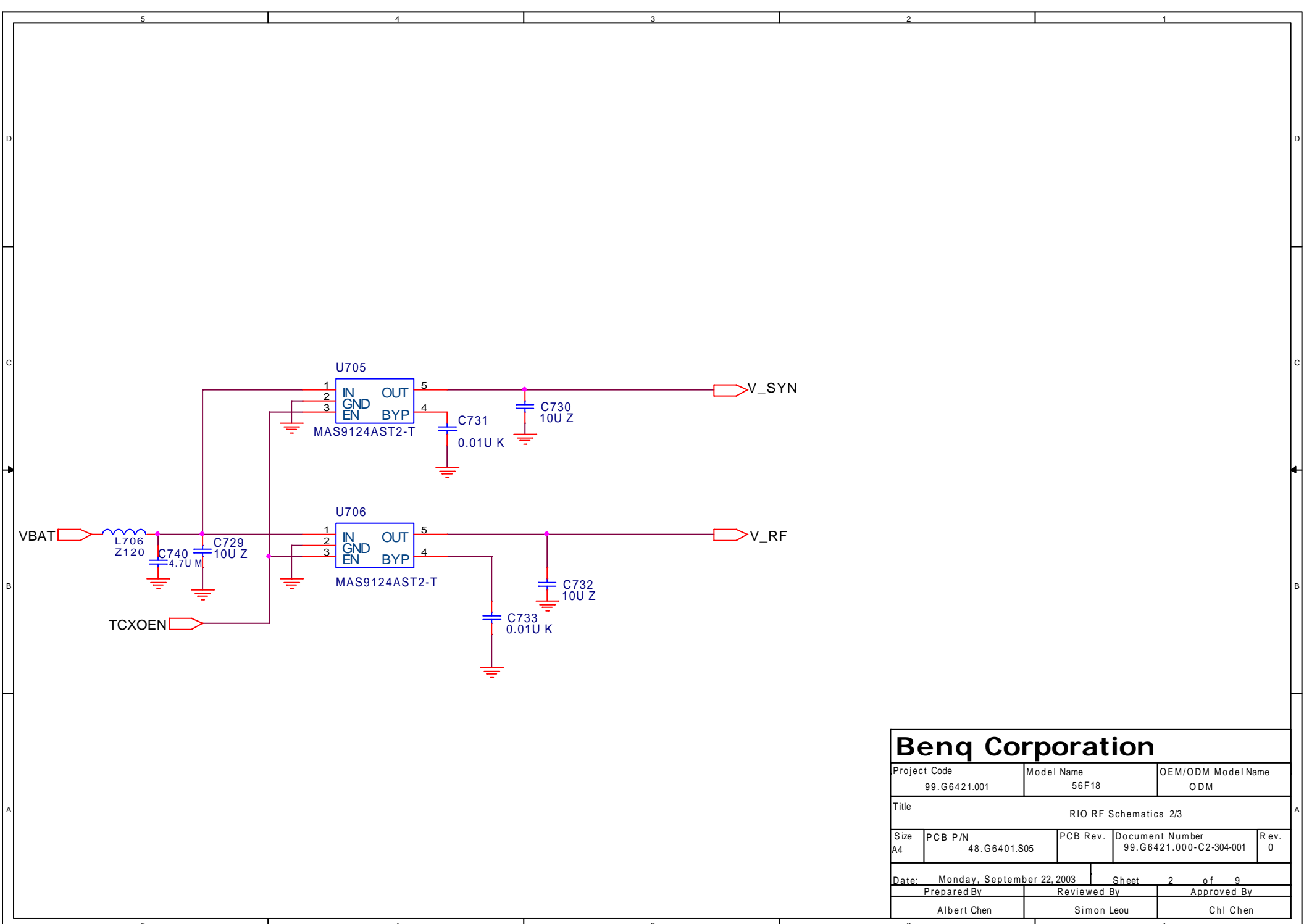
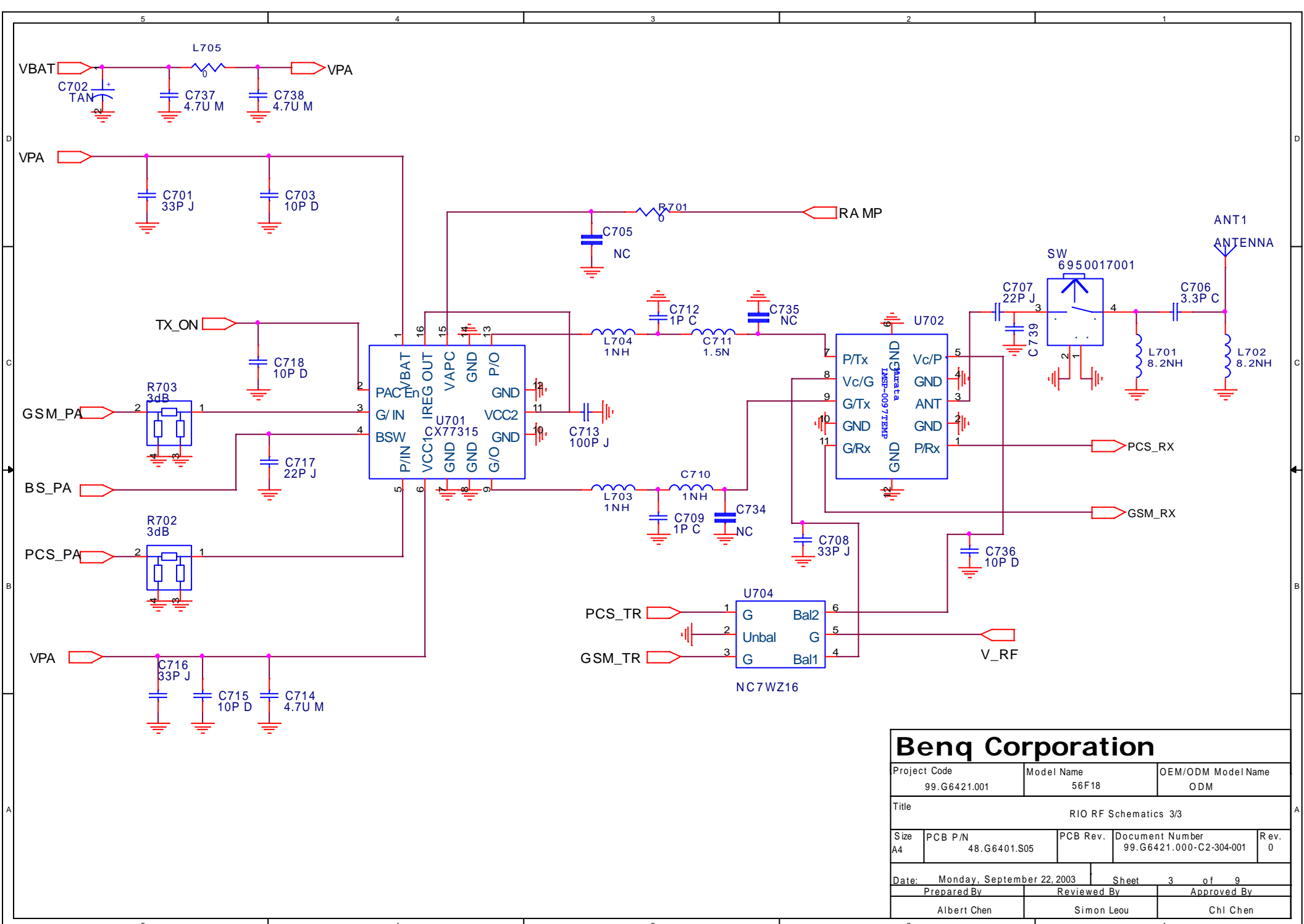


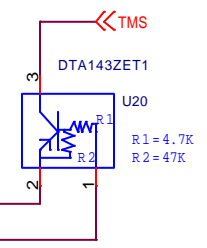
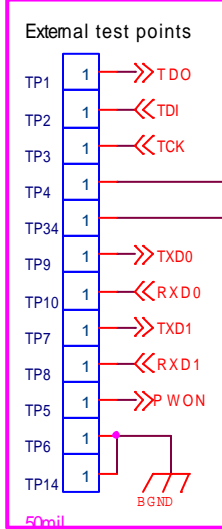
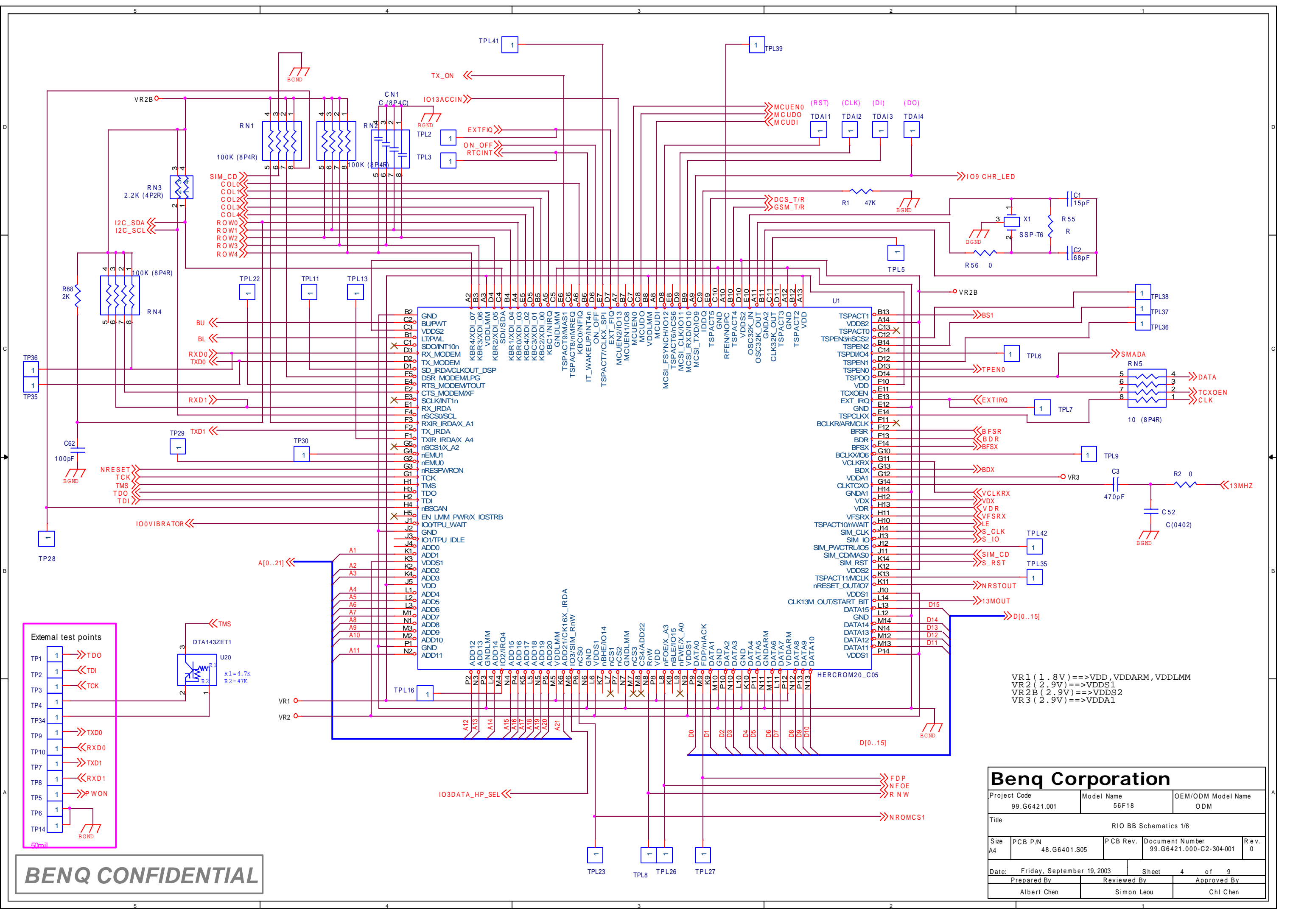
<b>Benq Corporation</b>					
Project Code	99.G6421.001	Model Name	56F18	OEM/ODM Model Name	ODM
Title					
RIO RF Schematics 1/3					
Size	PCB P/N	PCB Rev.	Document Number	Rev.	0
A4	48.G6401.S05		99.G6421.000-C2-304-001		
Date	Monday, September 22, 2003	Sheet	1	of	9
Prepared By	Albert Chen	Reviewed By	Simon Leou	Approved By	Chi Chen



<b>Benq Corporation</b>				
Project Code 99.G6421.001	Model Name 56F18	OEM/ODM Model Name ODM		
Title RIO RF Schematics 2/3				
Size A4	PCB P/N 48.G6401.S05	PCB Rev.	Document Number 99.G6421.000-C2-304-001	Rev. 0
Date: Monday, September 22, 2003		Sheet 2 of 9		
Prepared By Albert Chen		Reviewed By Simon Leou		Approved By Chi Chen



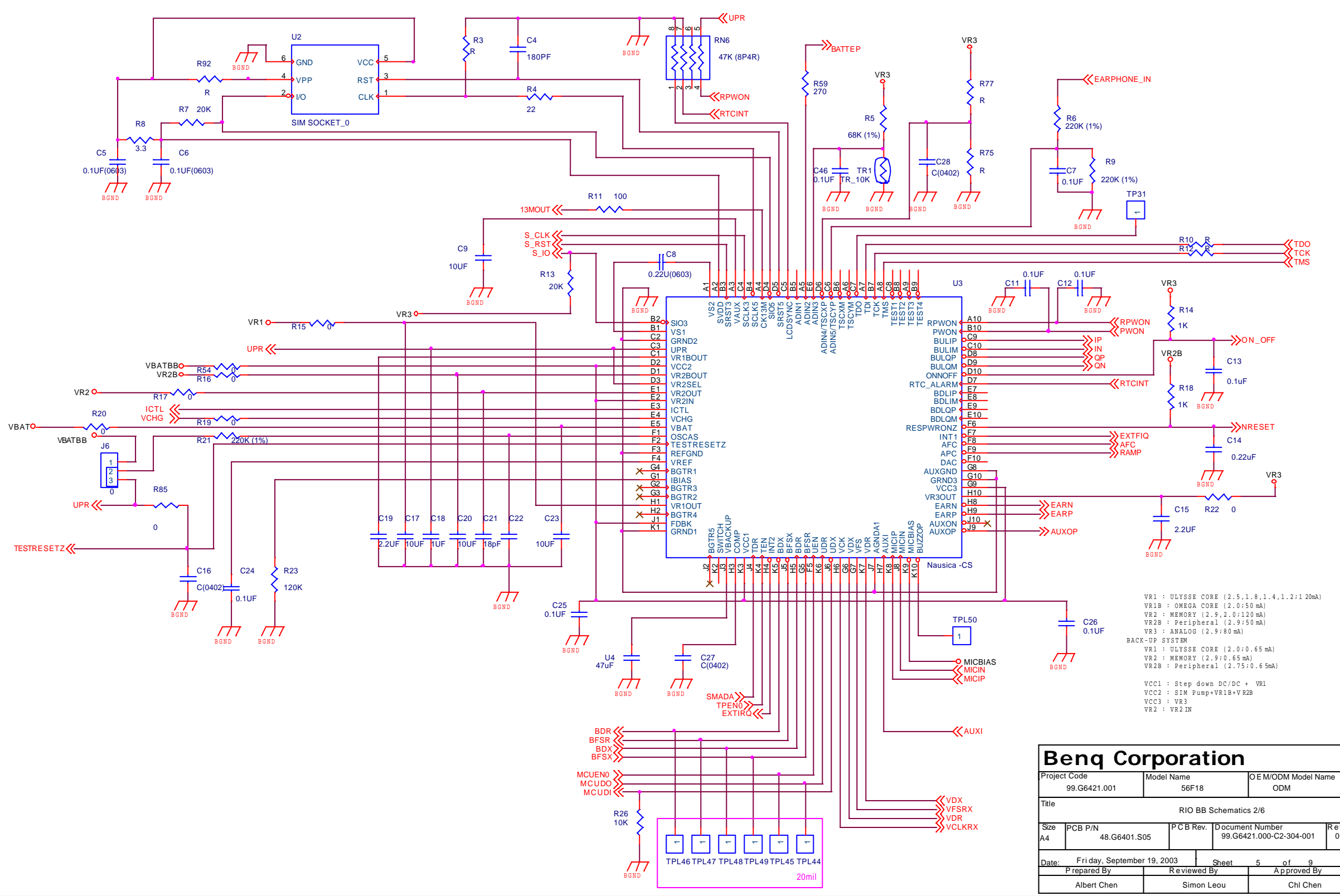
Benq Corporation				
Project Code	Model Name	OEM/ODM Model Name		
99.G6421.001	56F18	ODM		
Title				
RIO RF Schematics 3/3				
Size	PCB P/N	PCB Rev.	Document Number	Rev.
A4	48.G6401.S05		99.G6421.000-C2-304-001	0
Date: Monday, September 22, 2003		Sheet 3 of 9		
Prepared By		Reviewed By		Approved By
Albert Chen		Simon Leou		Chi Chen



VR1 (1.8V) ==> VDD, VDDARM, VDDLMM  
 VR2 (2.9V) ==> VDDS1  
 VR2B (2.9V) ==> VDDS2  
 VR3 (2.9V) ==> VDDA1

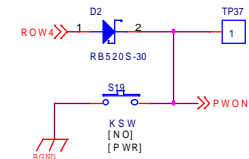
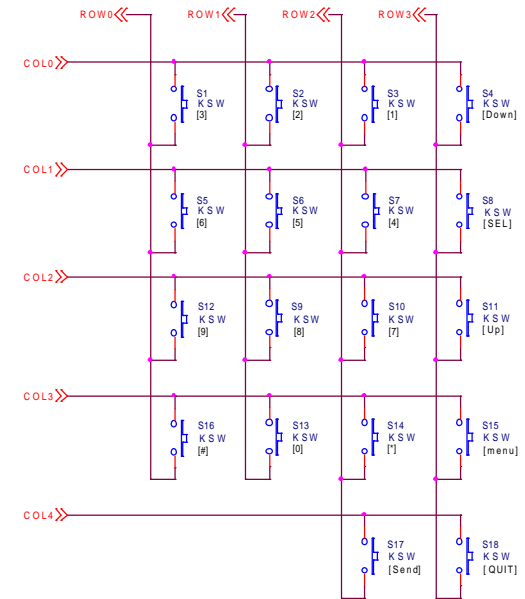
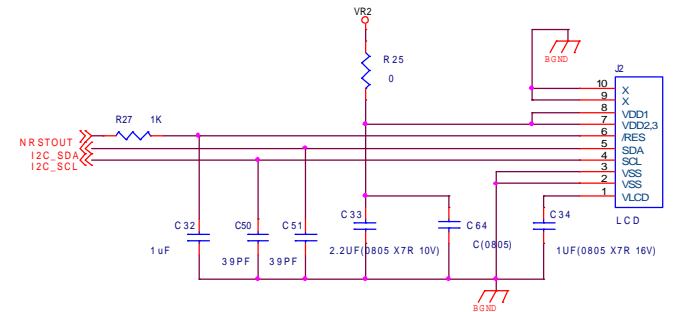
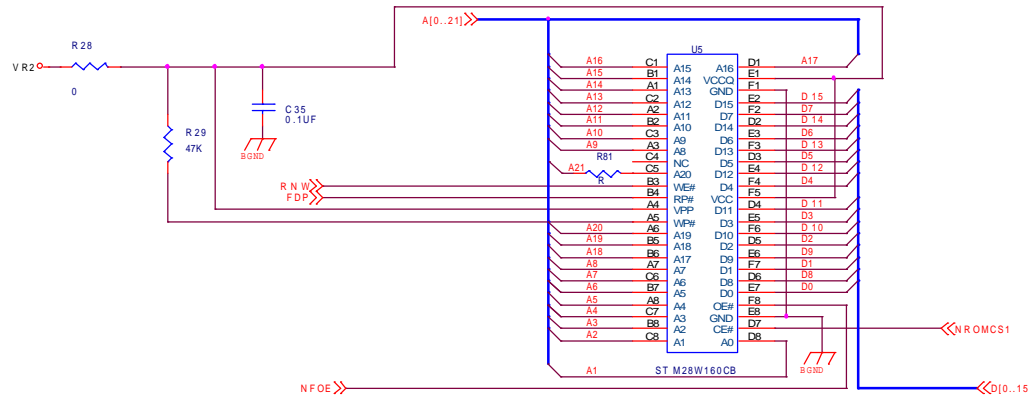
Benq Corporation			
Project Code	Model Name	OEM/ODM Model Name	
99.G6421.001	56F18	ODM	
Title			
RIO BB Schematics 1/6			
Size	PCB P/N	PCB Rev.	Document Number
A4	48.G6401.S05		99.G6421.000-C2-304-001
Date:		Sheet	Rev.
Friday, September 19, 2003		4 of 9	0
Prepared By		Reviewed By	Approved By
Albert Chen		Simon Leou	Chi Chen

**BENQ CONFIDENTIAL**



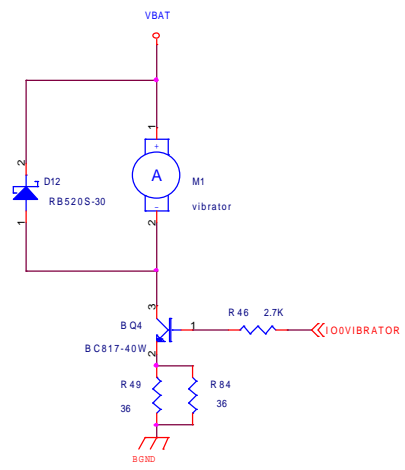
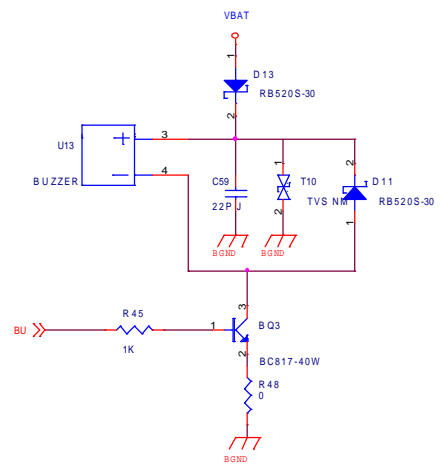
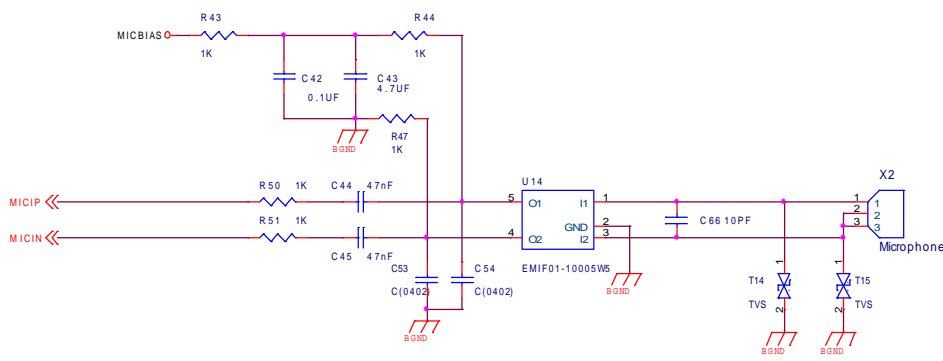
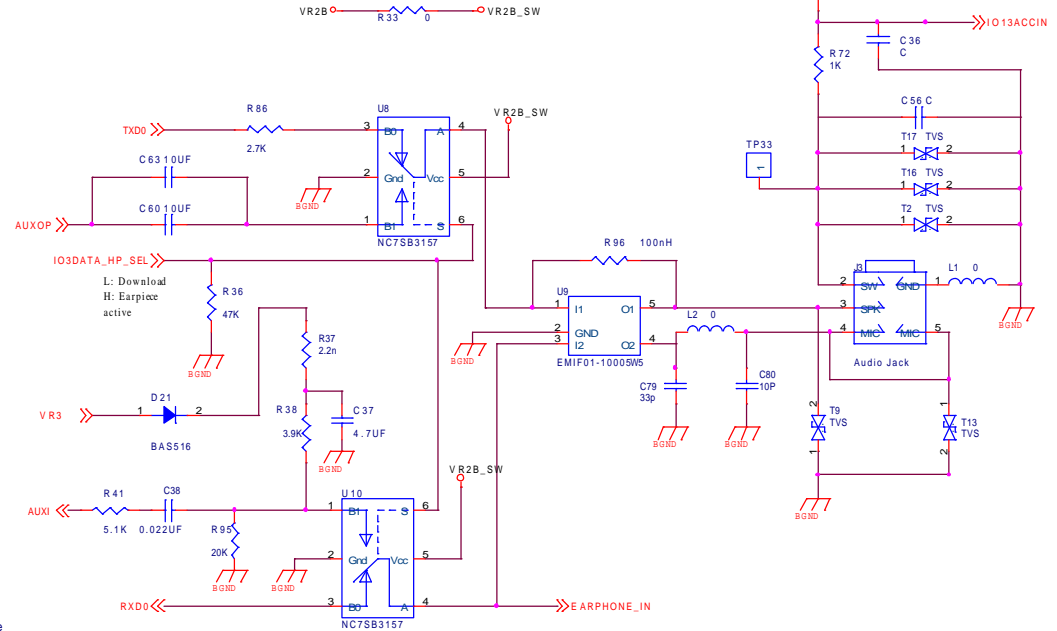
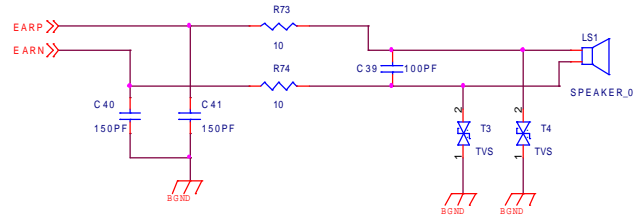
- VR1 : ULYSSE CORE (2.5;1.8;1.4;1.2;1.20mA)
  - VR1B : OMEGA CORE (2.0;50 mA)
  - VR2 : MEMORY (2.9;2.0;120 mA)
  - VR2B : Peripheral (2.9;50 mA)
  - VR3 : ANALOG (2.9;80 mA)
- BACK-UP SYSTEM
- VR1 : ULYSSE CORE (2.0;0.65 mA)
  - VR2 : MEMORY (2.9;0.65 mA)
  - VR2B : Peripheral (2.75;0.65 mA)
- VCC1 : Step down DC/DC + VR1  
VCC2 : SIM Pump+VR1B+VR2B  
VCC3 : VR3  
VR2 : VR2 IN

Benq Corporation					
Project Code	99.G6421.001	Model Name	56F18	OEM/ODM Model Name	ODM
Title					
RIO BB Schematics 2/6					
Size	A4	PCB P/N	48.G6401.S05	PCB Rev.	Document Number
					99.G6421.000-C2-304-001
Date:	Friday, September 19, 2003		Sheet	5	of 9
Prepared By	Reviewed By		Approved By		
Albert Chen	Simon Leou		Chi Chen		



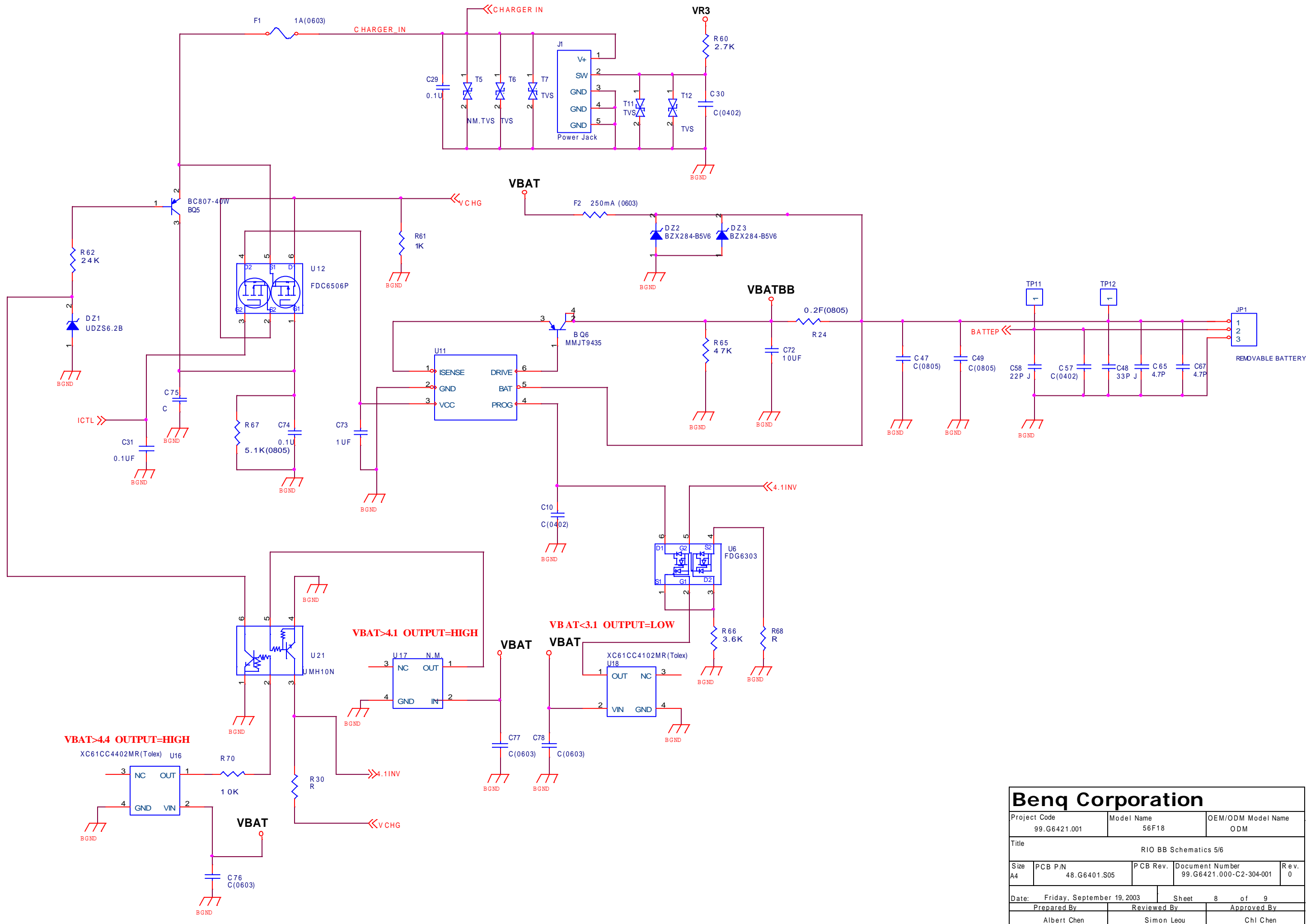
**BENQ CONFIDENTIAL**

<b>Benq Corporation</b>				
Project Code 99.G6421.001		Model Name 56F18		OEM/ODM Model Name ODM
Title RIO BB Schematics 3/6				
Size A4	P/CB P/N 48.G6401.S05	P/CB Rev. 99.G6421.000-C2-304-001	Document Number 99.G6421.000-C2-304-001	Rev. 0
Date: Friday, September 19, 2003		Sheet 6 of 9		
Prepared By Albert Chen		Reviewed By Simon Leou		Approved By Chi Chen



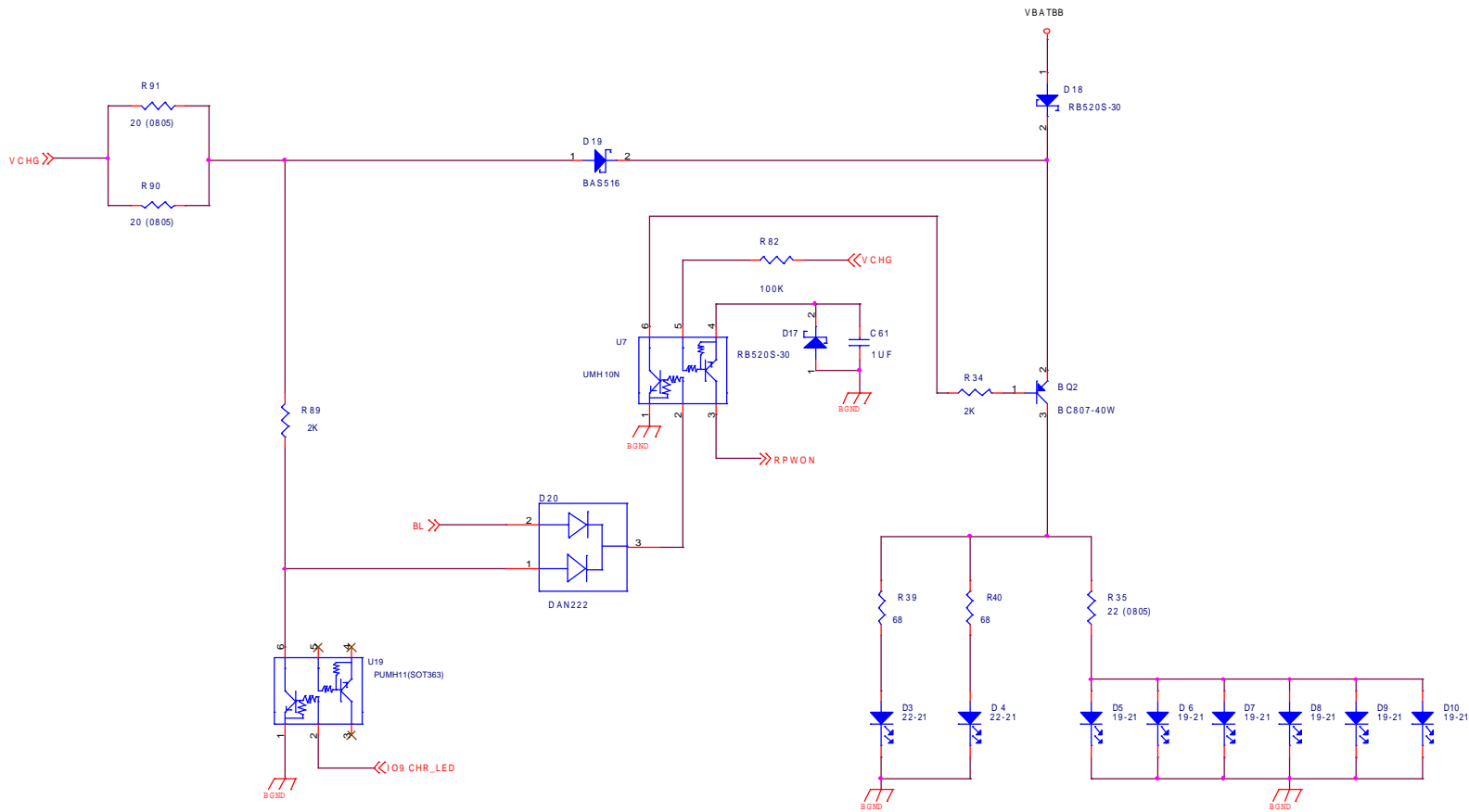
**BENQ CONFIDENTIAL**

<b>Benq Corporation</b>				
Project Code	Model Name	OEM/ODM Model Name		
99.G6421.001	56F18	ODM		
Title: RIO BB Schematics 4/6				
Size	PCB P/N	PCB Rev.	Document Number	Rev.
A4	48.G6401.S05		99.G6421.000-C2-304-001	0
Date: Friday, September 19, 2003		Sheet 7 of 9		
Prepared By		Reviewed By		Approved By
Albert Chen		Simon Leou		Chi Chen



Benq Corporation				
Project Code	Model Name	OEM/ODM Model Name		
99.G6421.001	56F18	ODM		
Title				
RIO BB Schematics 5/6				
Size	PCB P/N	PCB Rev.	Document Number	Rev.
A4	48.G6401.S05		99.G6421.000-C2-304-001	0
Date: Friday, September 19, 2003		Sheet 8 of 9		
Prepared By		Reviewed By		Approved By
Albert Chen		Simon Leou		Chi Chen





**BENQ CONFIDENTIAL**

<b>Benq Corporation</b>				
Project Code 99.G6421.001		Model Name 56F18		OEM/ODM Model Name ODM
Title RIO BB Schematics 6/6				
Size A4	PCB P/N 48.G6401.S05	PCB Rev.	Document Number 99.G6421.000-C2-304-001	Rev. 0
Date: Friday, September 19, 2003		Sheet 9 of 9		
Prepared By Albert Chen		Reviewed By Simon Leou		Approved By Chi Chen