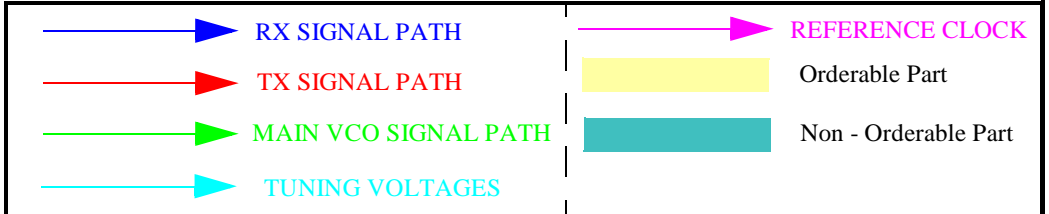


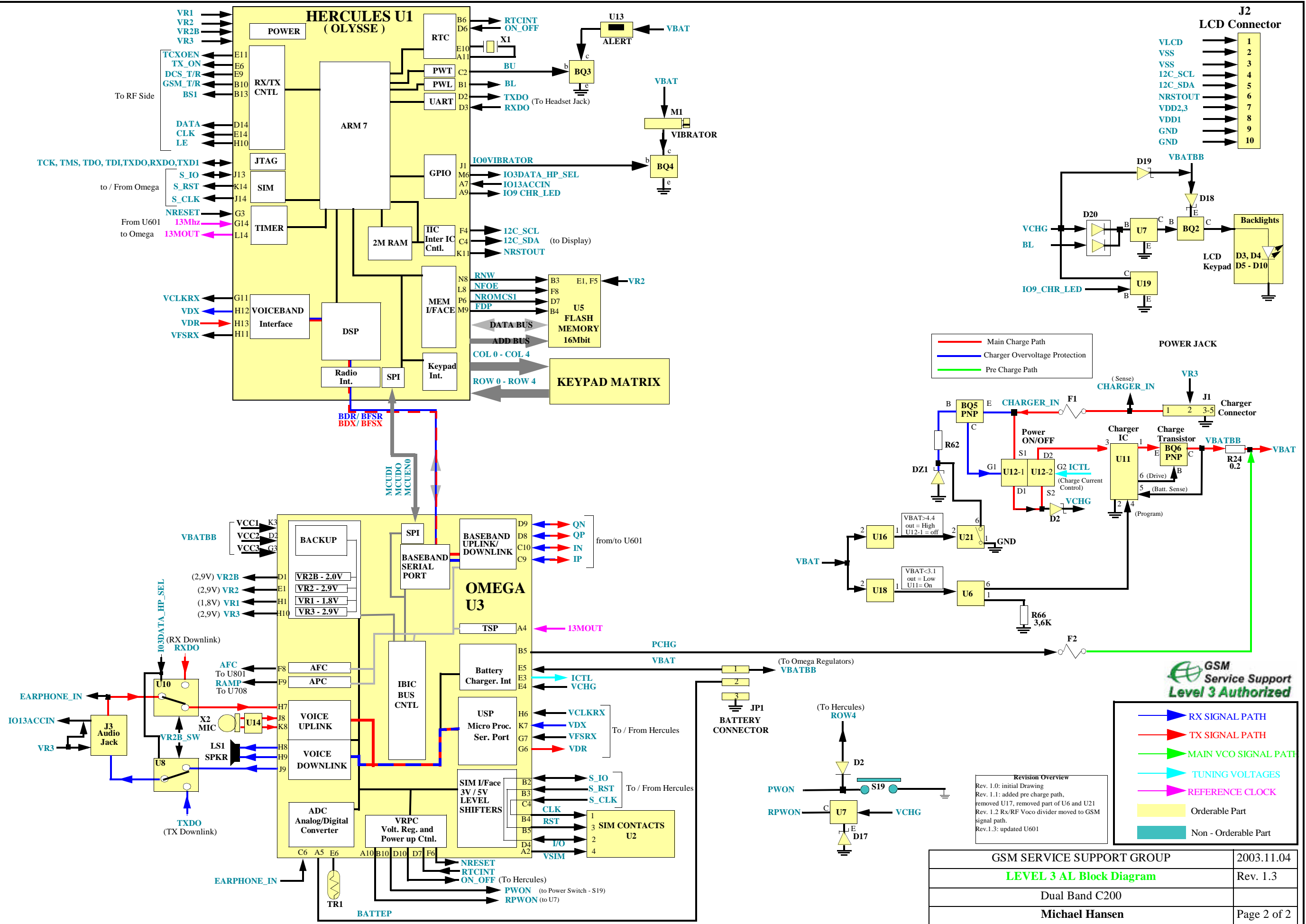
Revision Overview

Rev. 1.0: initial Drawing
 Rev. 1.1: added pre charge path.
 removed U17, removed part of U6 and U21
 Rev. 1.2 Rx/RF Voco divider moved to GSM
 signal path.
 Rev.1.3: updated U601

GSM SERVICE SUPPORT GROUP	2003.11.04
LEVEL 3 RF Block Diagram	Rev. 1.3
Dual Band C200	
Michael Hansen	Page 1 of 2



Dual Band C200



Revision Overview
 Rev. 1.0: initial Drawing
 Rev. 1.1: added pre charge path, removed U17, removed part of U6 and U21
 Rev. 1.2 Rx/RF Voco divider moved to GSM signal path.
 Rev.1.3: updated U601

- ▶ RX SIGNAL PATH
- ▶ TX SIGNAL PATH
- ▶ MAIN VCO SIGNAL PATH
- ▶ TUNING VOLTAGES
- ▶ REFERENCE CLOCK
- Orderable Part
- Non - Orderable Part

GSM SERVICE SUPPORT GROUP	2003.11.04
LEVEL 3 AL Block Diagram	Rev. 1.3
Dual Band C200	
Michael Hansen	Page 2 of 2

GSM Service Support
 Level 3 Authorized