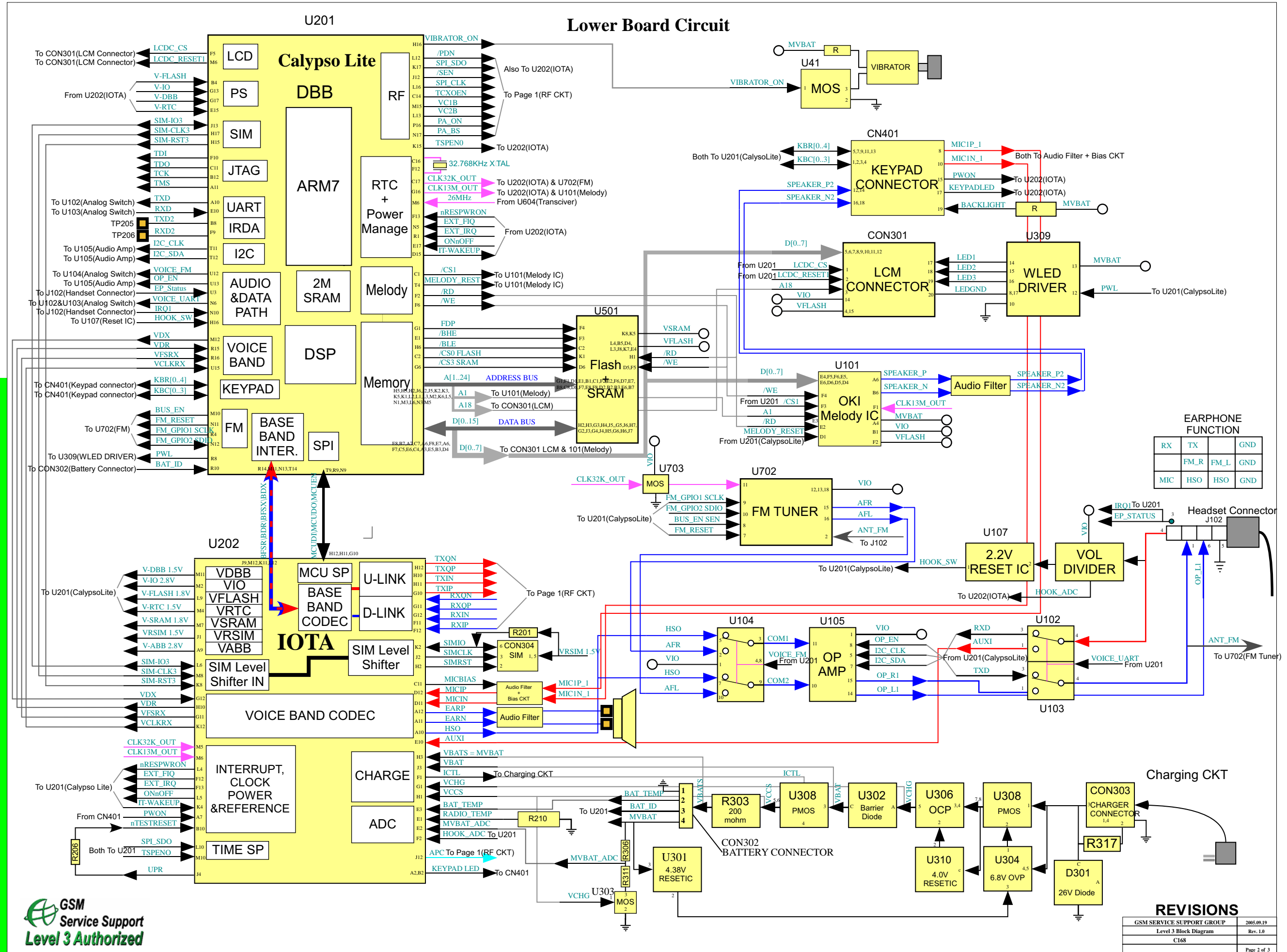


Lower Board Circuit

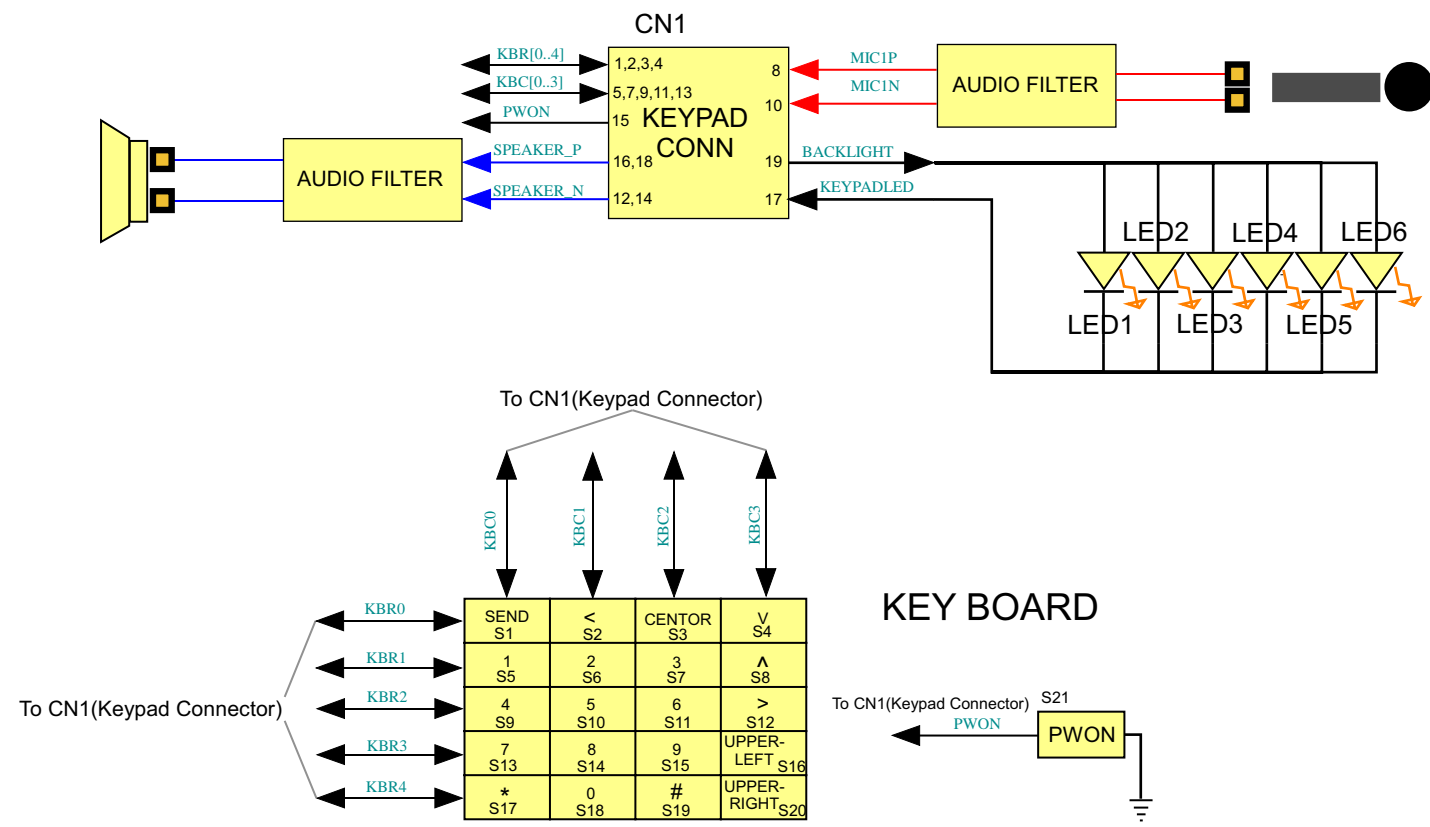


C168



REVISIONS	
GSM SERVICE SUPPORT GROUP	2005.09.19
Level 3 Block Diagram	Rev. 1.0
C168	
	Page 2 of 3

KEYPAD BOARD CKT



C168

GSM
Service Support
Level 3 Authorized

REVISIONS

Revision	Date
GSM SERVICE SUPPORT GROUP Level 3 Block Diagram C168	2005.09.19 Rev. 1.0
	Page 3 of 3