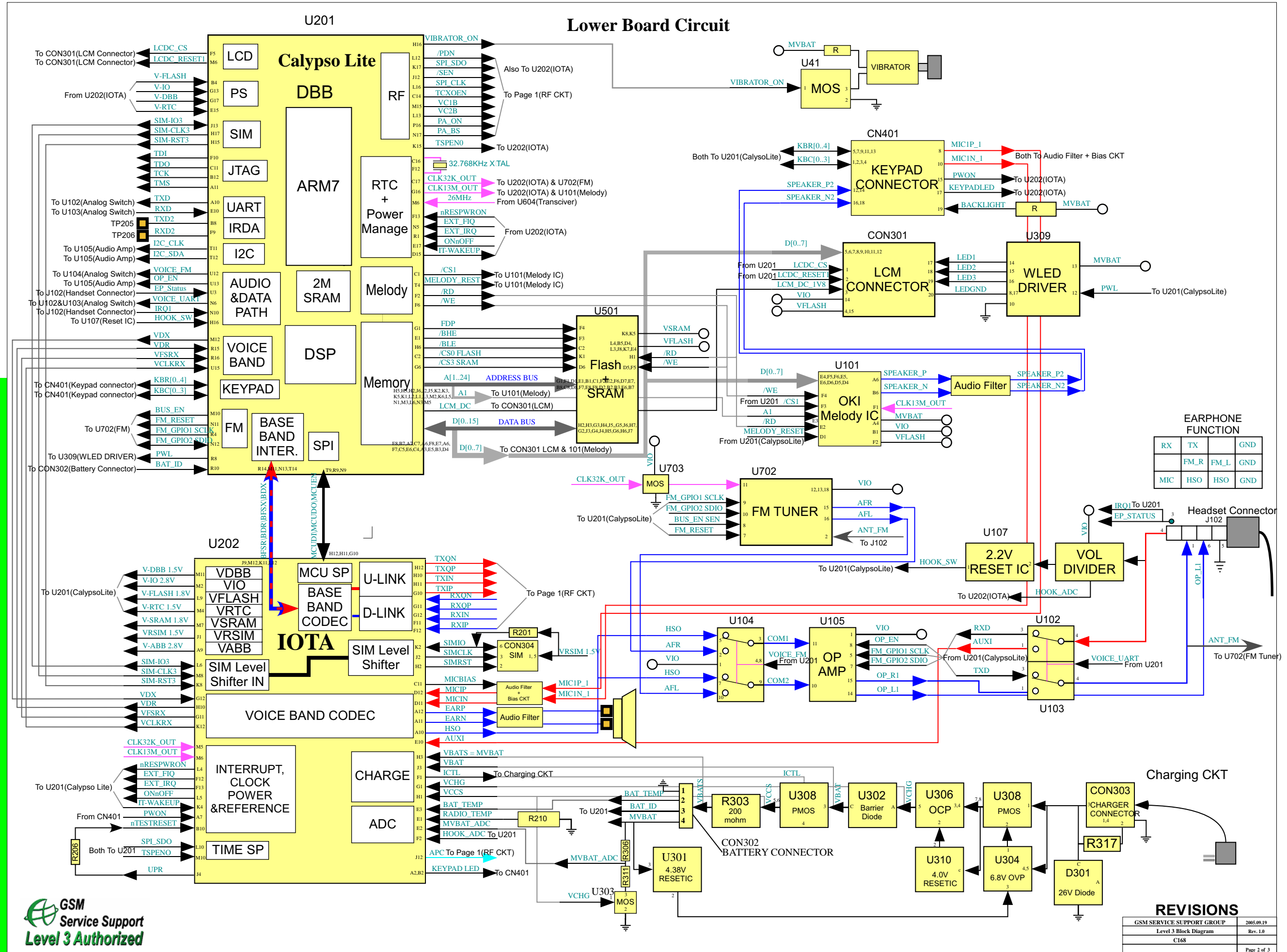


REVISIONS

GSM SERVICE SUPPORT GROUP	2005.09.19
Level 3 Block Diagram	Rev.1.0
C168	
Page 1 of 3	

Lower Board Circuit

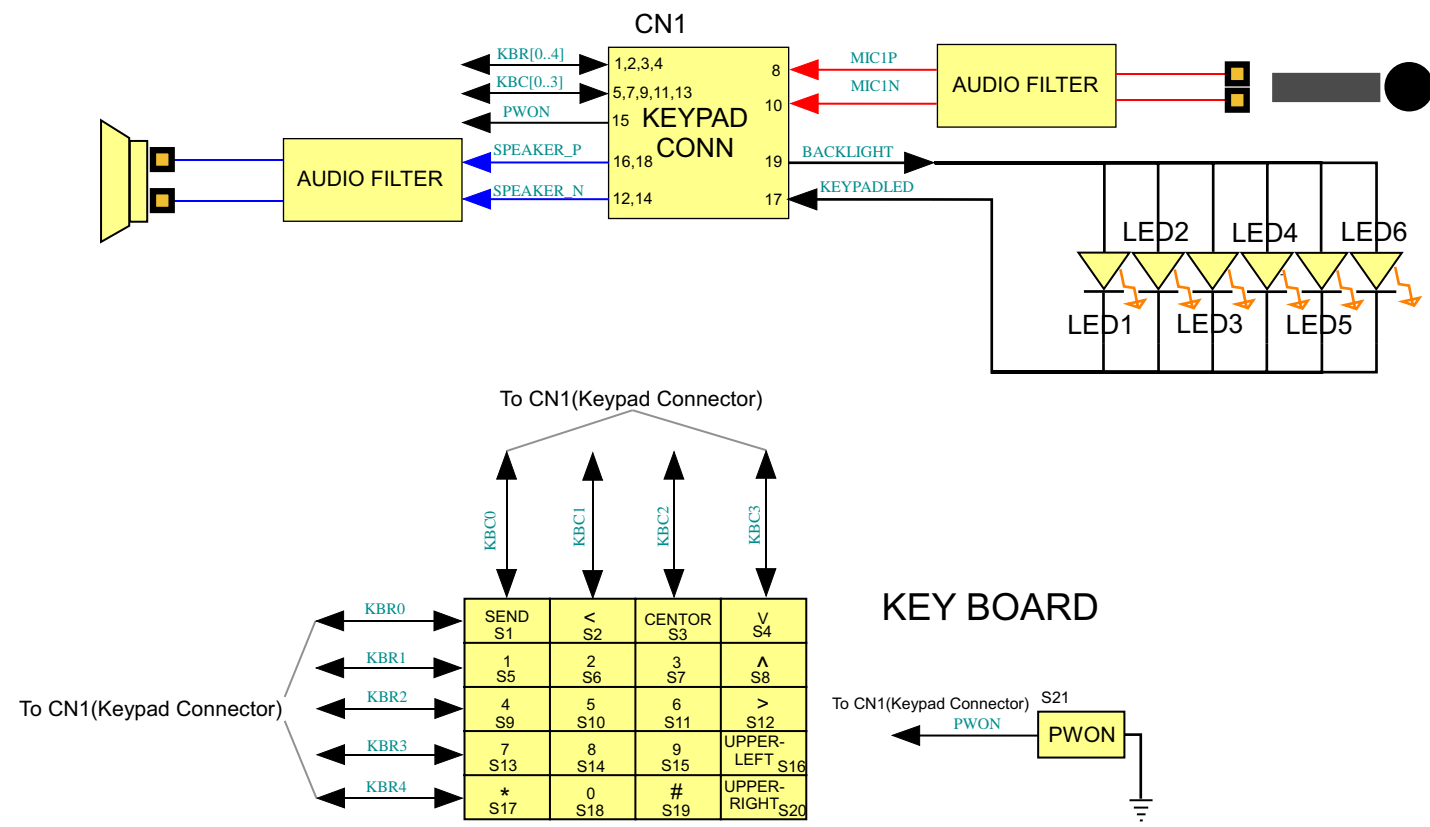


C168



REVISIONS	
GSM SERVICE SUPPORT GROUP	2005.09.19
Level 3 Block Diagram	Rev. 1.0
C168	
	Page 2 of 3

KEYPAD BOARD CKT



REVISIONS

GSM SERVICE SUPPORT GROUP	2005.09.19
Level 3 Block Diagram	Rev. 1.0
C168	
	Page 3 of 3