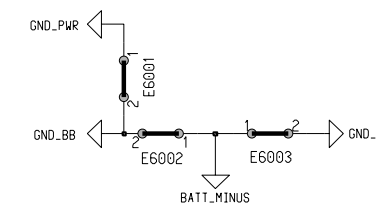
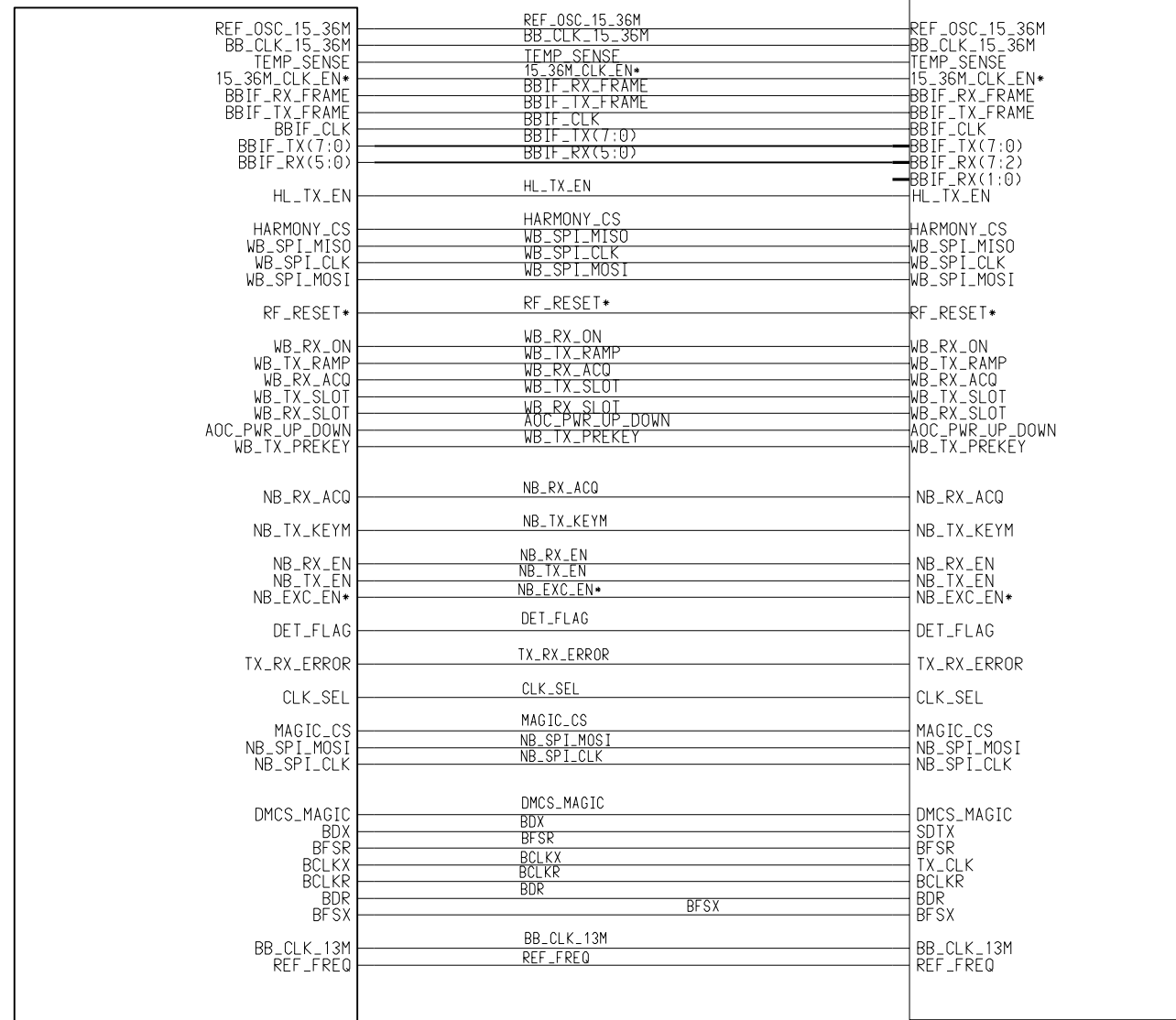
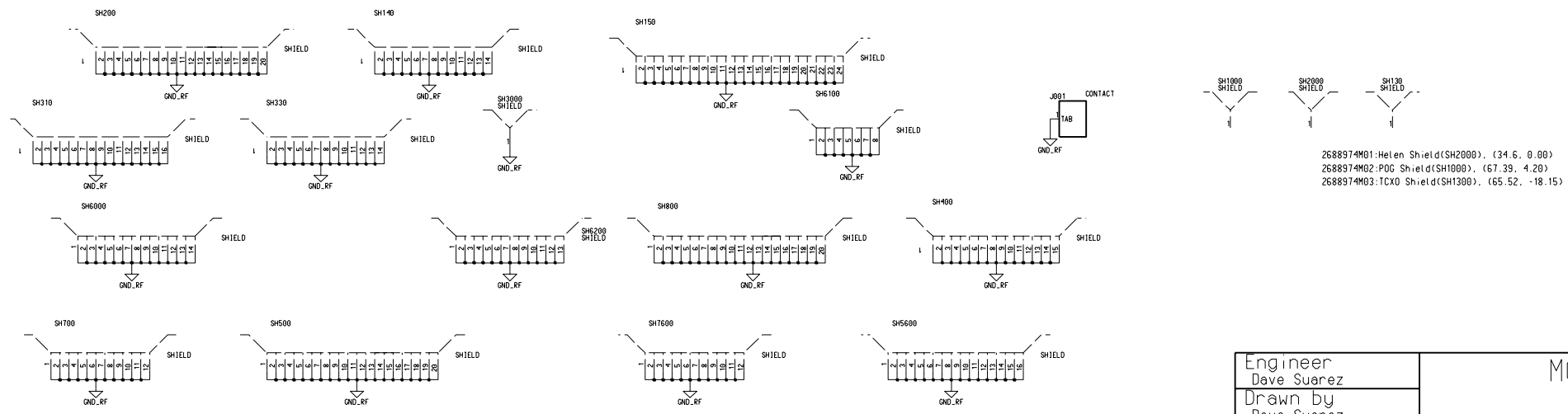
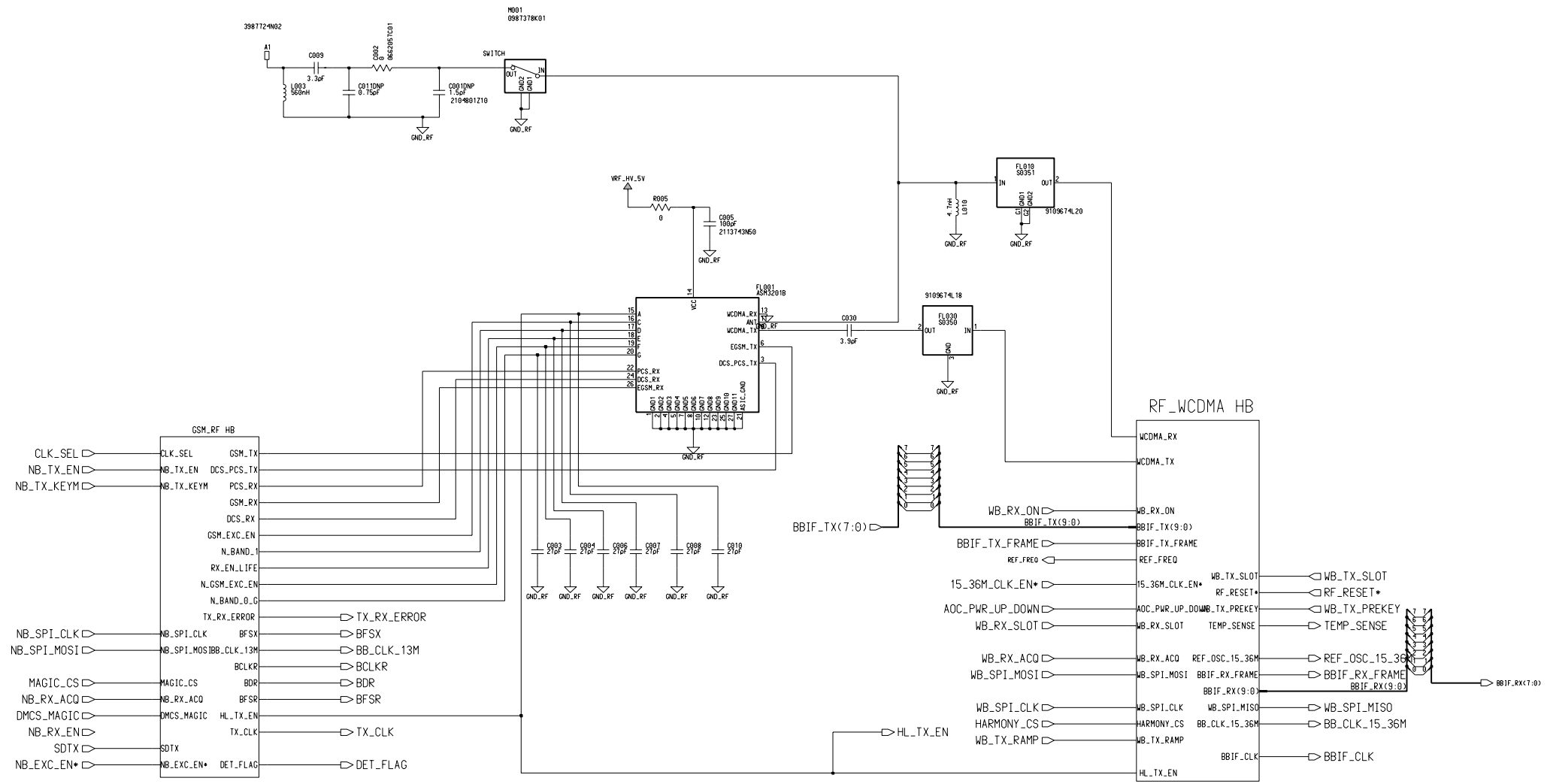


Baseband HB

RF HB





Engineer Dave Suarez	MOTOROLA INC, 600 N US HWY 45 Libertyville, IL		
Drawn by Dave Suarez			
R&D CHK	TITLE	Size D	
DOC CTRL CHK	RF_TOP		
MFG CTRL CHK			
QA CHK	REV	Drawing Number	Sheet of

Changed by Dave Suarez	Date Changed Friday, April 20, 2001	Time 3:59:05 pm
---------------------------	--	--------------------

1 2 3 4 5 6 7 8

A

B

C

D

E

A

B

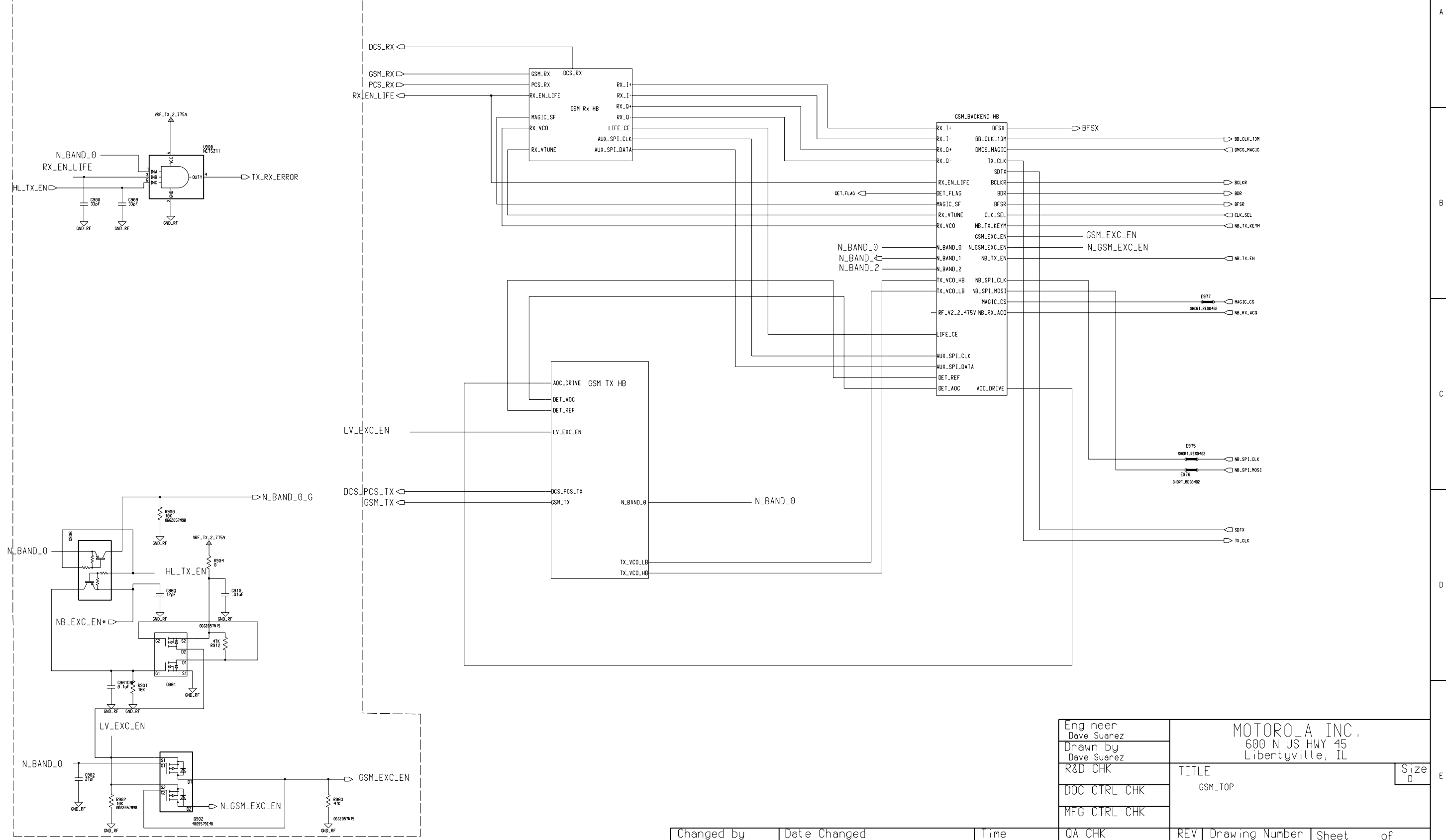
C

D

E

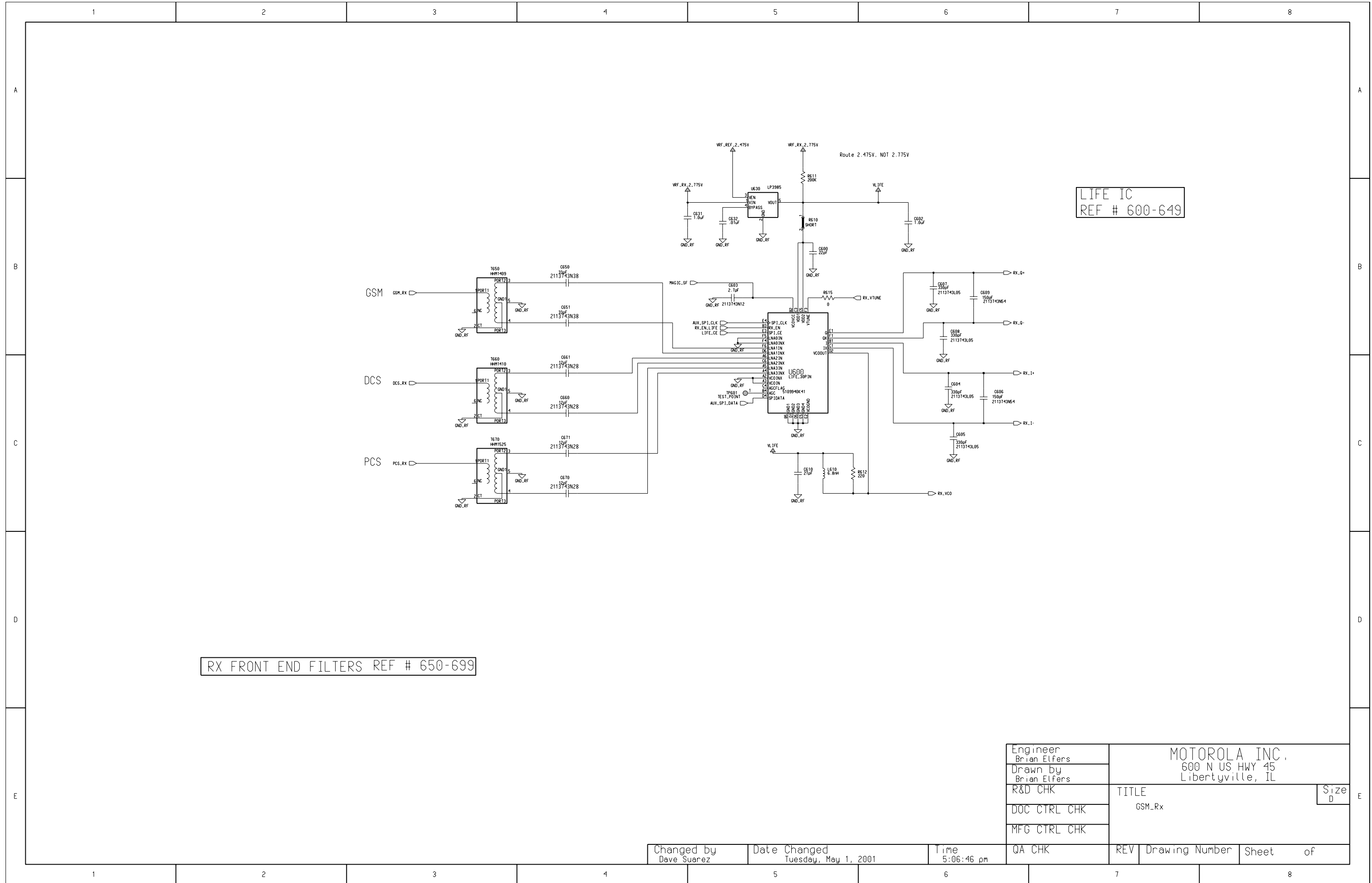
1 2 3 4 5 6 7 8

Band Select Circuits REF # 900-925



Engineer Dave Suarez	MOTOROLA INC. 600 N US HWY 45 Libertyville, IL		
Drawn by Dave Suarez			
R&D CHK	TITLE	Size D	
DOC CTRL CHK	GSM.TOP		
MFG CTRL CHK			
QA CHK	REV	Drawing Number	Sheet of

Changed by Dave Suarez Date Changed Tuesday, May 1, 2001 Time 11:34:44 am



LIFE IC
REF # 600-649

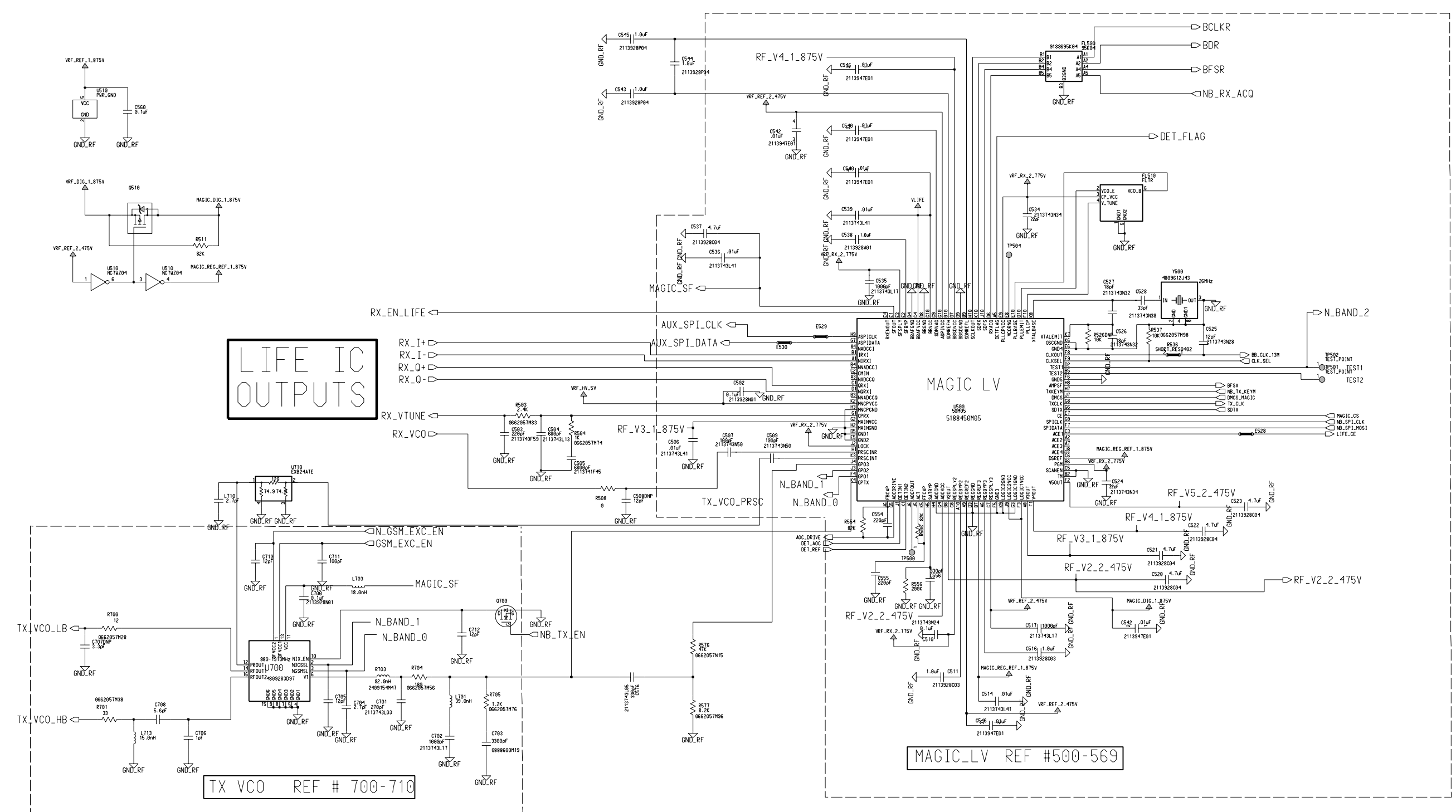
RX FRONT END FILTERS REF # 650-699

Engineer Brian Elfers	MOTOROLA INC. 600 N US HWY 45 Libertyville, IL		
Drawn by Brian Elfers			
R&D CHK	TITLE	Size D	
DOC CTRL CHK	GSM.Rx		
MFG CTRL CHK			
QA CHK	REV	Drawing Number	Sheet of

Changed by
Dave Suarez

Date Changed
Tuesday, May 1, 2001

Time
5:06:46 pm



LIFE IC
OUTPUTS

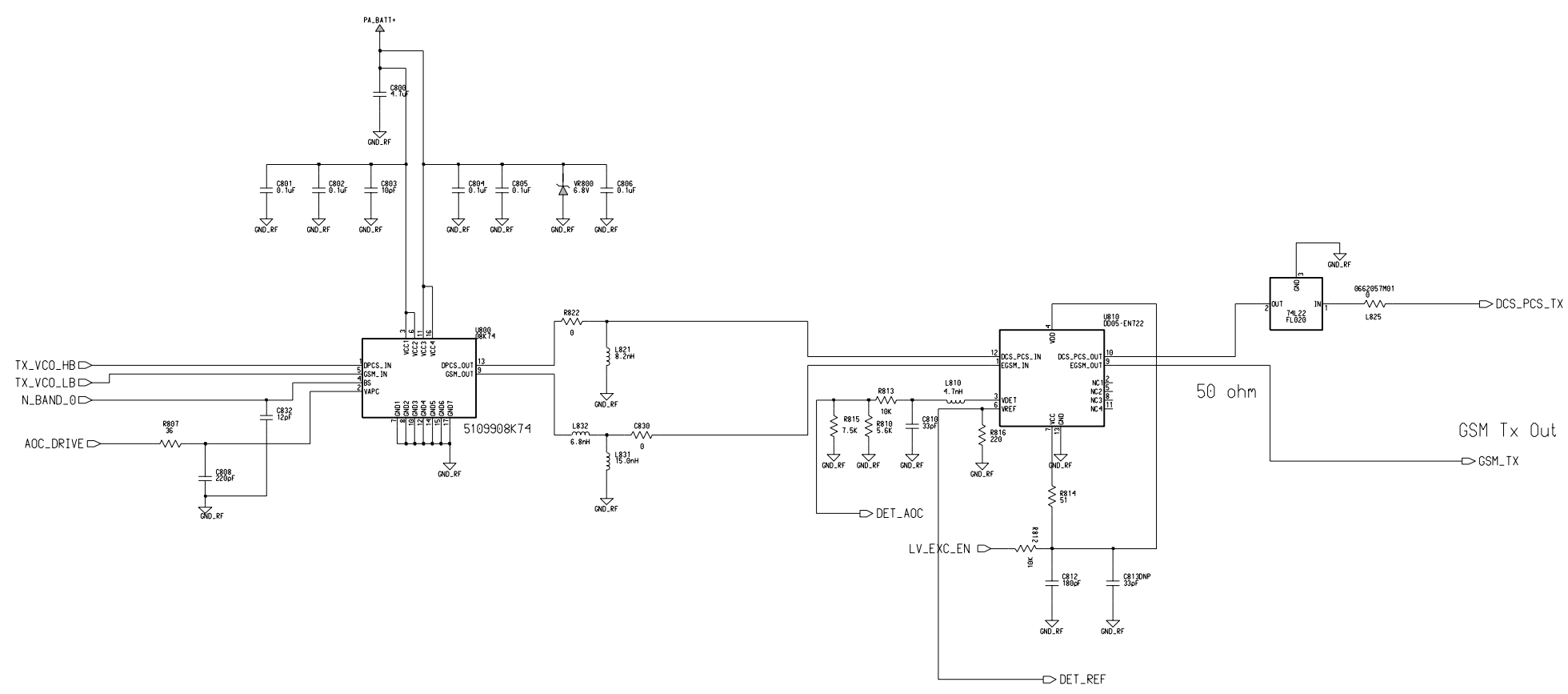
TX VCO REF # 700-710

MAGIC LV REF #500-569

Engineer Andy Ma	MOTOROLA INC. LIBERTYVILLE IL		
Drawn by Andy Ma	TITLE Talon_rev_0 GSM_backend		
R&D CHK	REV	Drawing Number	Sheet of
DOC CTRL CHK			
MFG CTRL CHK			
QA CHK			

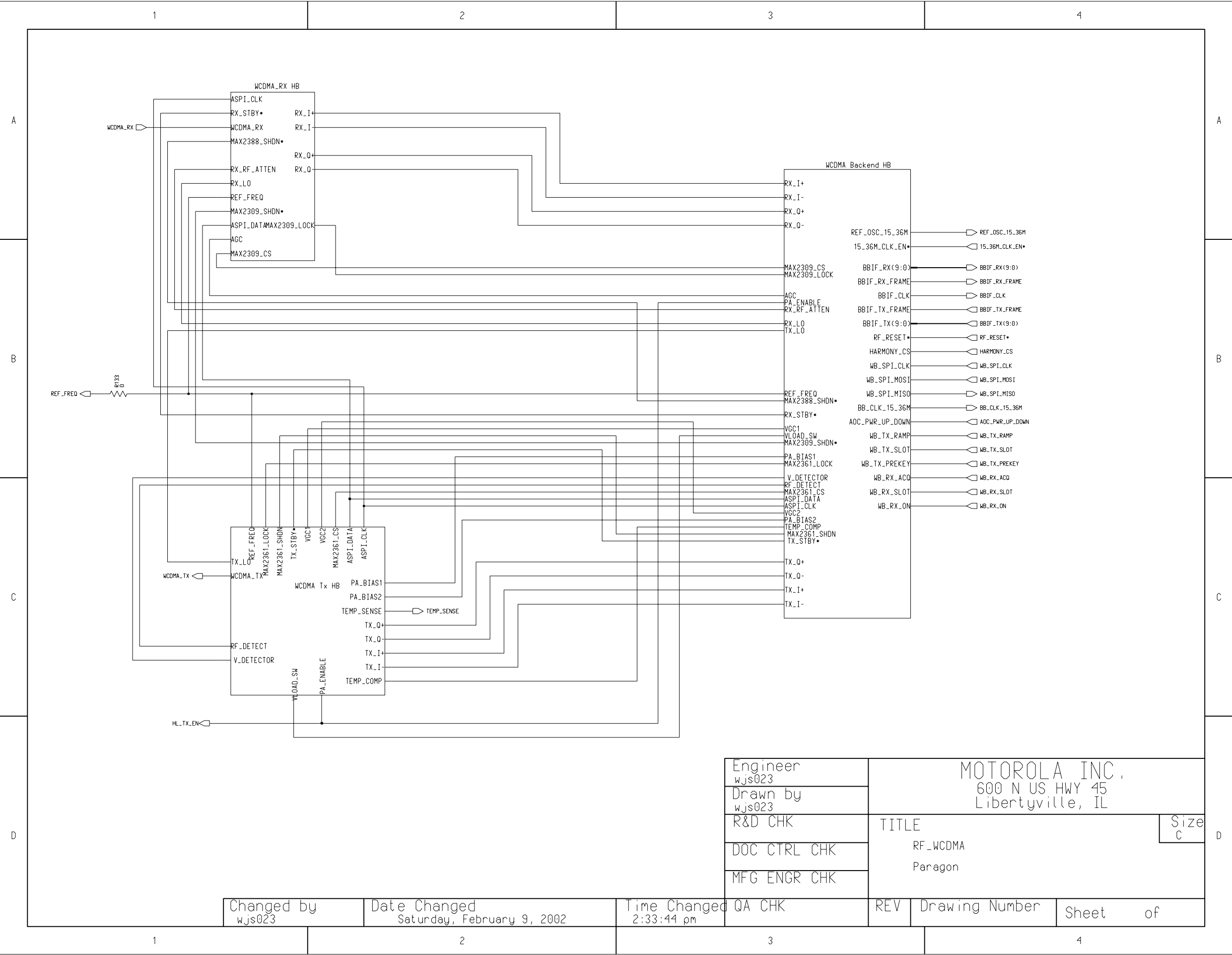
Changed by Dave Suarez	Date Changed Tuesday, May 1, 2001	Time 11:28:57 am
---------------------------	--------------------------------------	---------------------

GSM Transmitter



Engineer Paul Manente	MOTOROLA INC. 600 N US HWY 45 Libertyville, IL		
Drawn by Paul Manente	TITLE GSM_TX-D		
R&D CHK	MFG CTRL CHK		Size D
DOC CTRL CHK	GSM_Transmitter		
QA CHK	REV	Drawing Number	Sheet of

Changed by: Dave Suarez
 Date Changed: Tuesday, May 1, 2001
 Time: 12:33:12 pm



Engineer
wjs023
Drawn by
wjs023
R&D CHK
DOC CTRL CHK
MFG ENGR CHK
QA CHK

MOTOROLA INC.
600 N US HWY 45
Libertyville, IL

TITLE
RF_WCDMA
Paragon

REV Drawing Number Sheet of

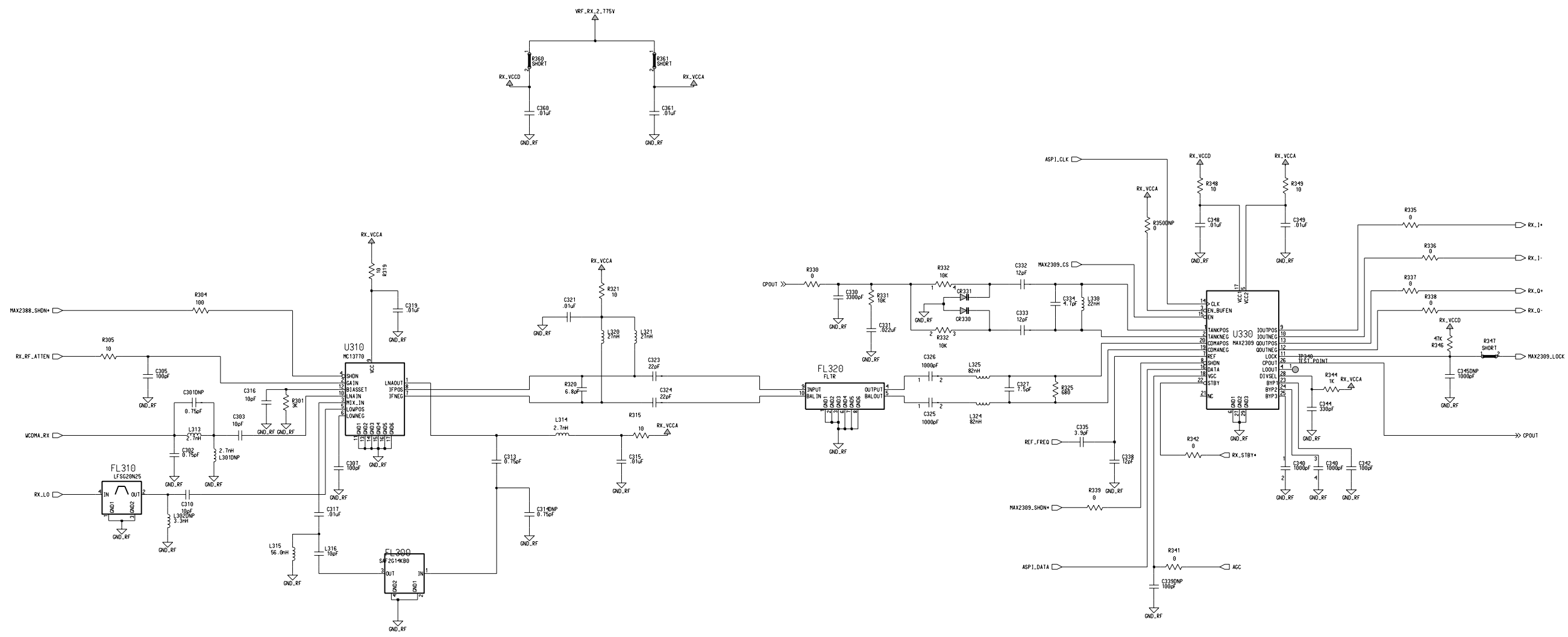
Changed by
wjs023

Date Changed
Saturday, February 9, 2002

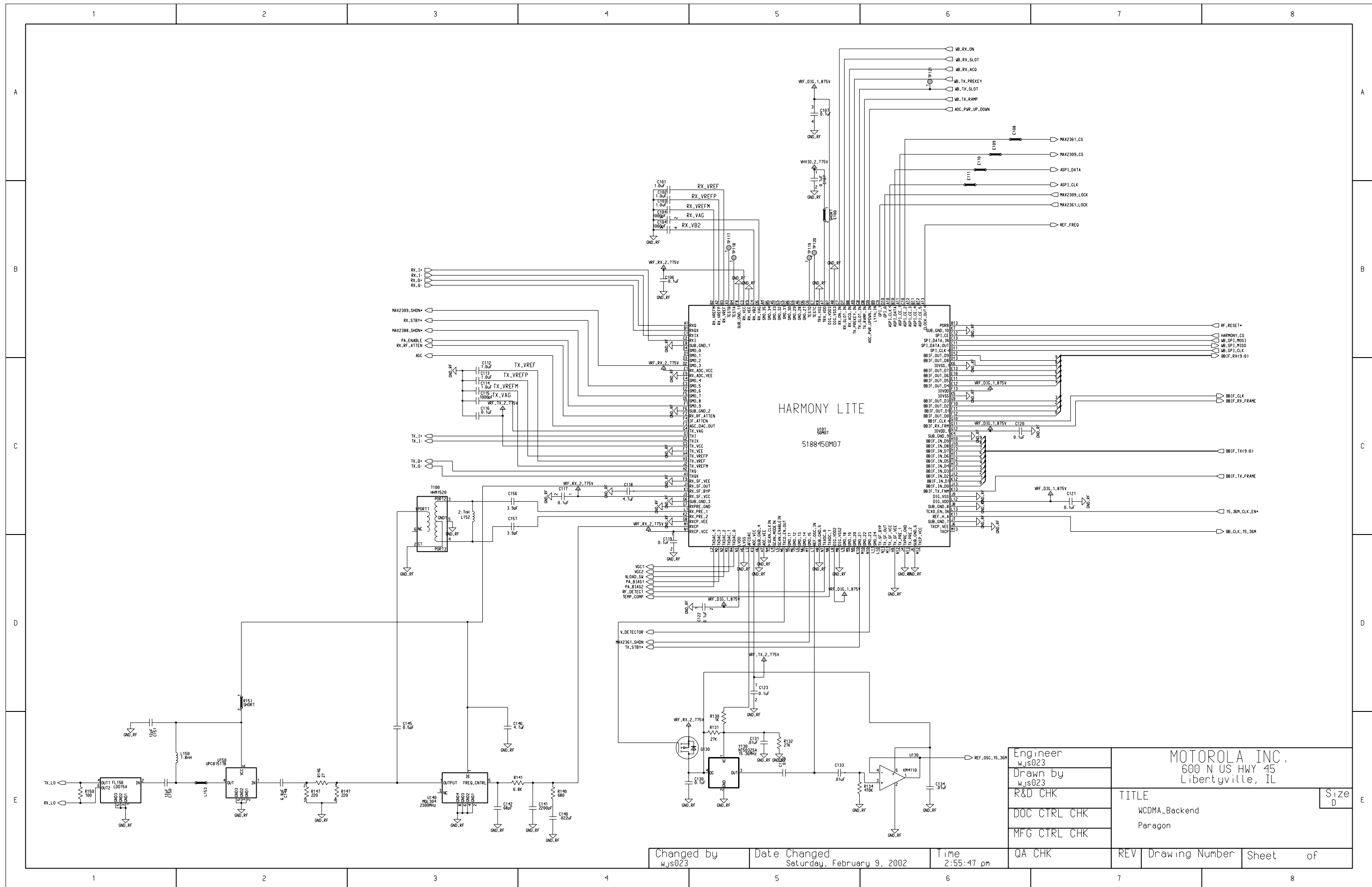
Time Changed
2:33:44 pm

Size
C

1
MOTOROLA INTERNAL USE ONLY



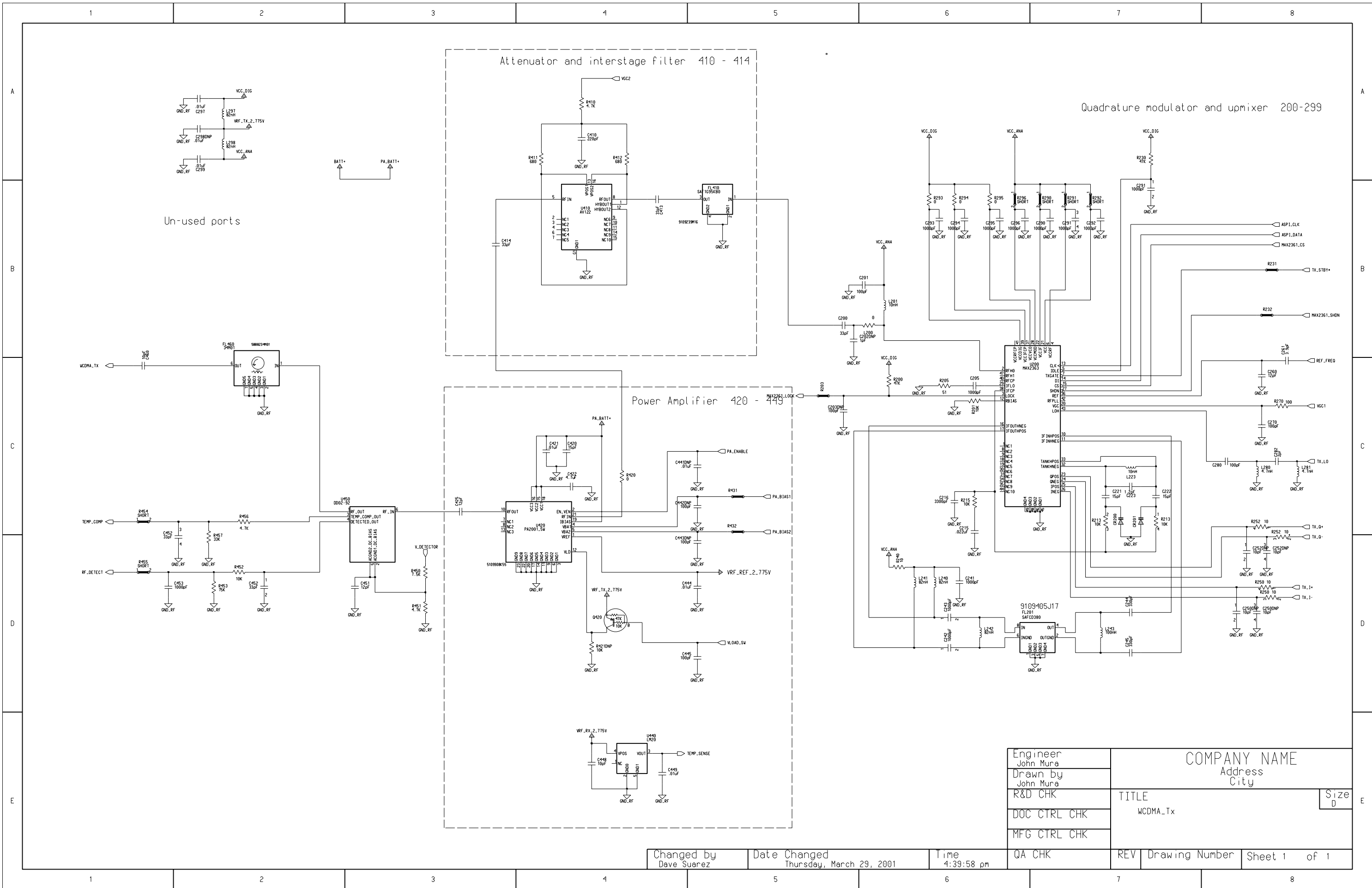
Engineer:	Randy Kressner		Size:	D
Drawn by:	Randy Kressner		TITLE:	Morris
DOC CTRL CHK:			WCDMA_Rx	
MFG CTRL CHK:			REV:	Drawing Number: Page: UF:
QA CHK:			Date:	Time:
Changed by:	Randy Kressner		Thursday, March 22, 2001	3:10:36 pm



HARMONY LITE
U181
5188450M07

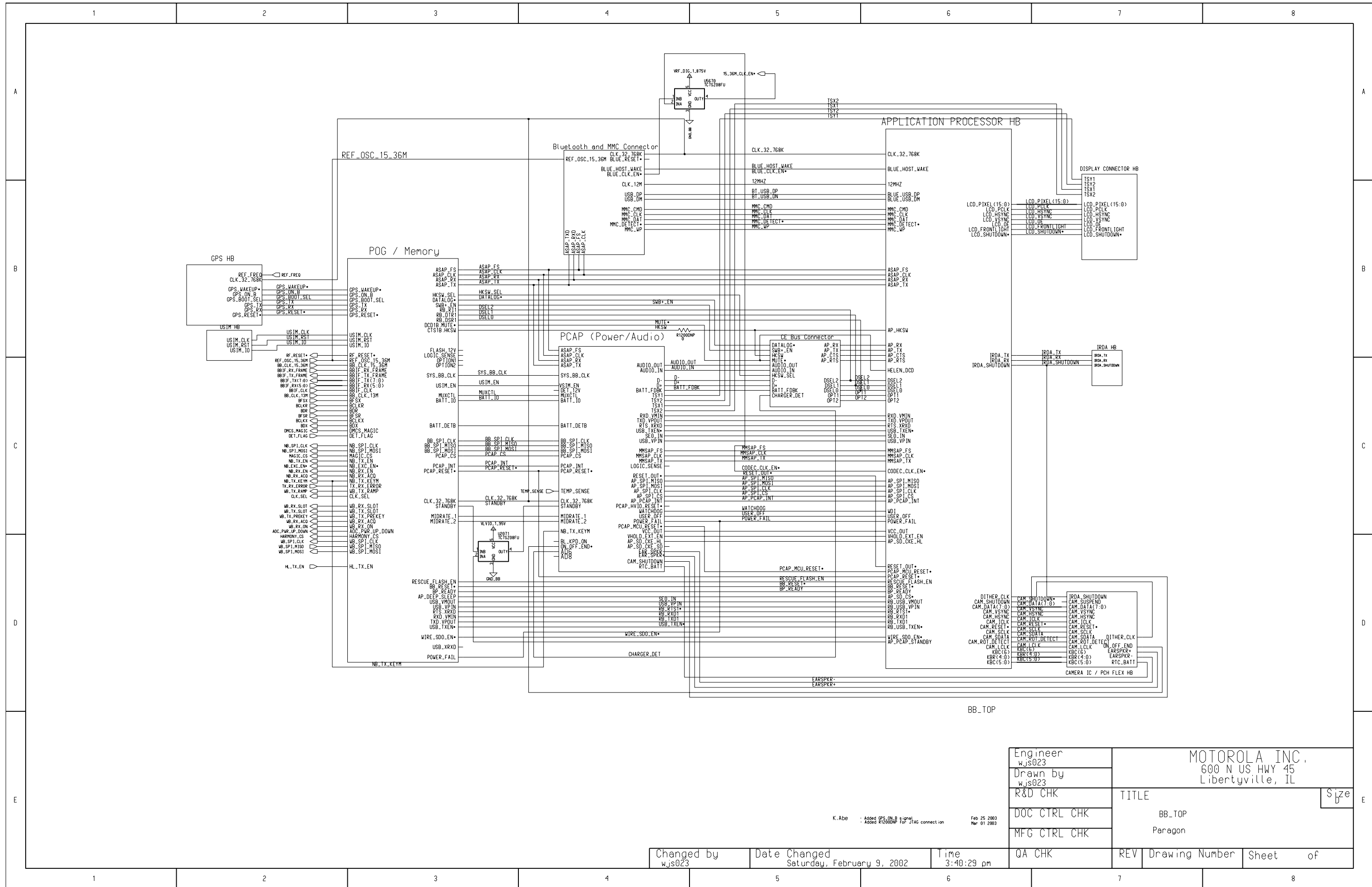
Engineer wjs023	MOTOROLA INC. 600 N US HWY 45 Libertyville, IL		
Drawn by wjs023	TITLE WCDMA_Backend Paragon		
R&D CHK	QA CHK	REV	Sheet of
DOC CTRL CHK		Drawing Number	
MFG CTRL CHK			

Changed by wjs023	Date Changed Saturday, February 9, 2002	Time 2:55:47 pm
----------------------	--	--------------------



Engineer John Mura	COMPANY NAME		
Drawn by John Mura	Address		
R&D CHK	TITLE		Size D
DOC CTRL CHK	WCDMA_Tx		
MFG CTRL CHK			
QA CHK	REV	Drawing Number	Sheet 1 of 1

Changed by Dave Suarez Date Changed Thursday, March 29, 2001 Time 4:39:58 pm

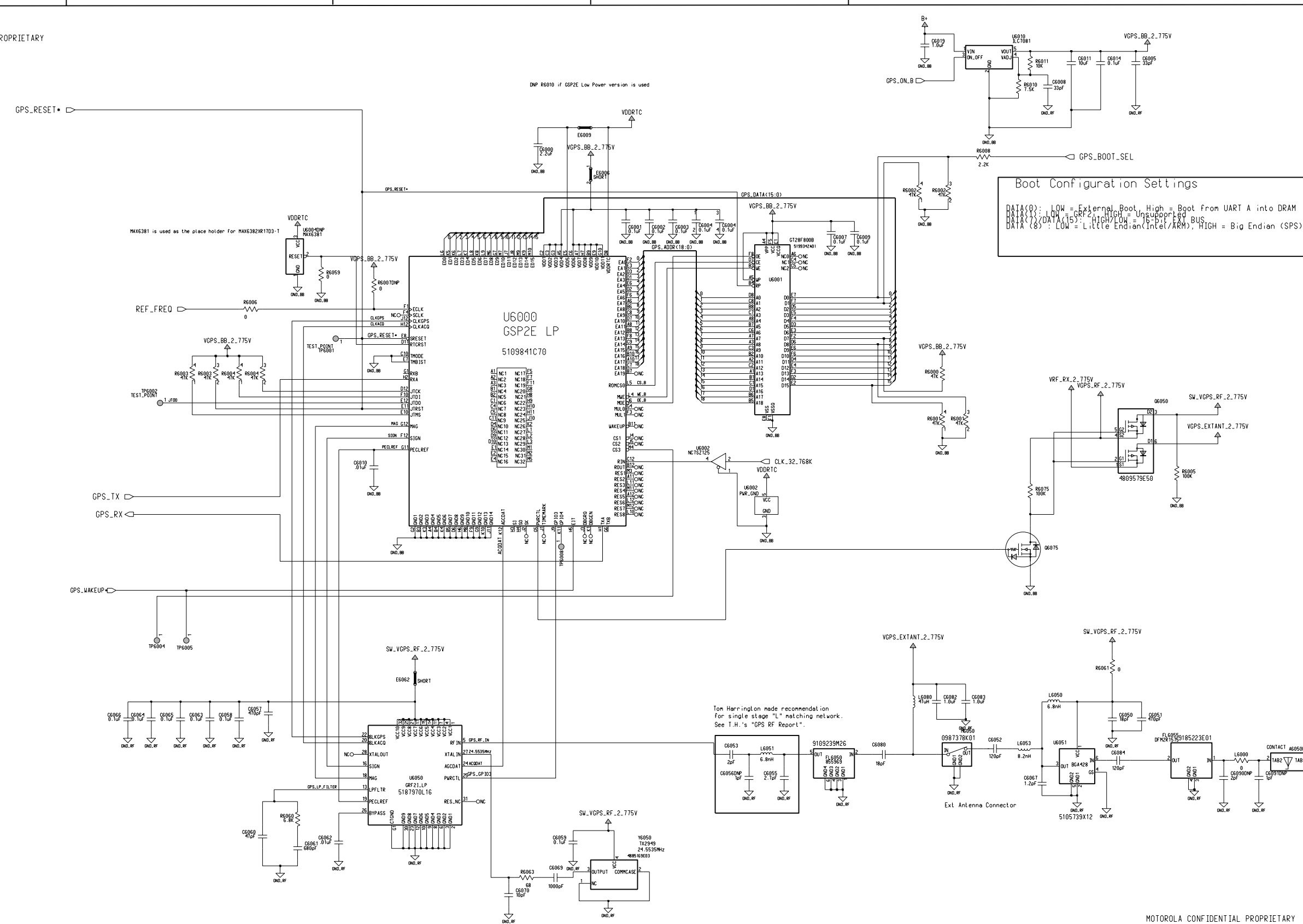


Engineer wjs023	MOTOROLA INC, 600 N US HWY 45 Libertyville, IL		
Drawn by wjs023			
R&D CHK	TITLE	Size	
DOC CTRL CHK	BB_TOP		
MFG CTRL CHK	Paragon		
QA CHK	REV	Drawing Number	Sheet of

K. Abe - Added GPS_ON_B signal
- Added R1290NP For JTAG connection
Feb 25 2003
Mar 01 2003

Changed by wjs023	Date Changed Saturday, February 9, 2002	Time 3:40:29 pm
----------------------	--	--------------------

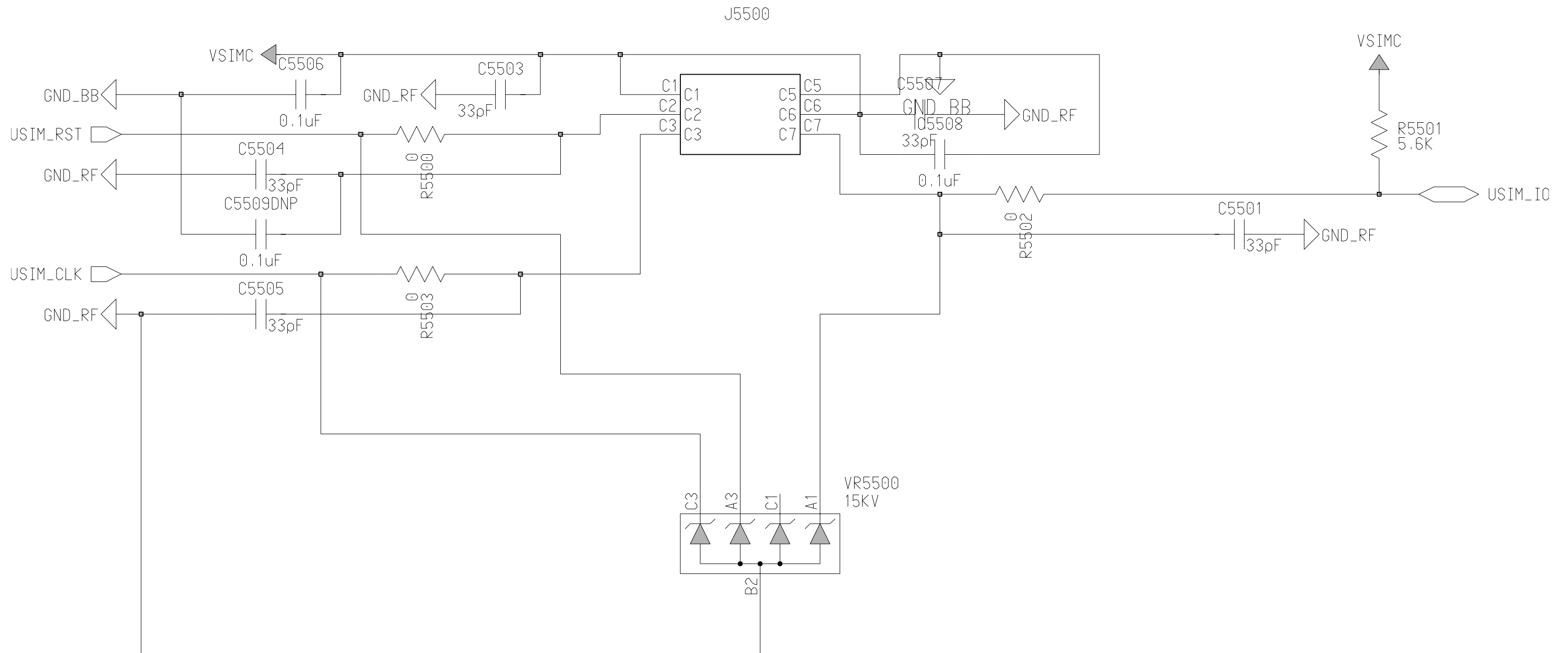
Engineer:	Sumitro Gunawan	DATE:	11/24
RFG CHK:	Sumitro Gunawan	REV:	1
DA CHK:		Page:	1
Changed by:	Sumitro Gunawan	Date:	Wed, Nov 21, 2001
		Time:	5:03:26 pm
K.Abe			Feb 25 2003



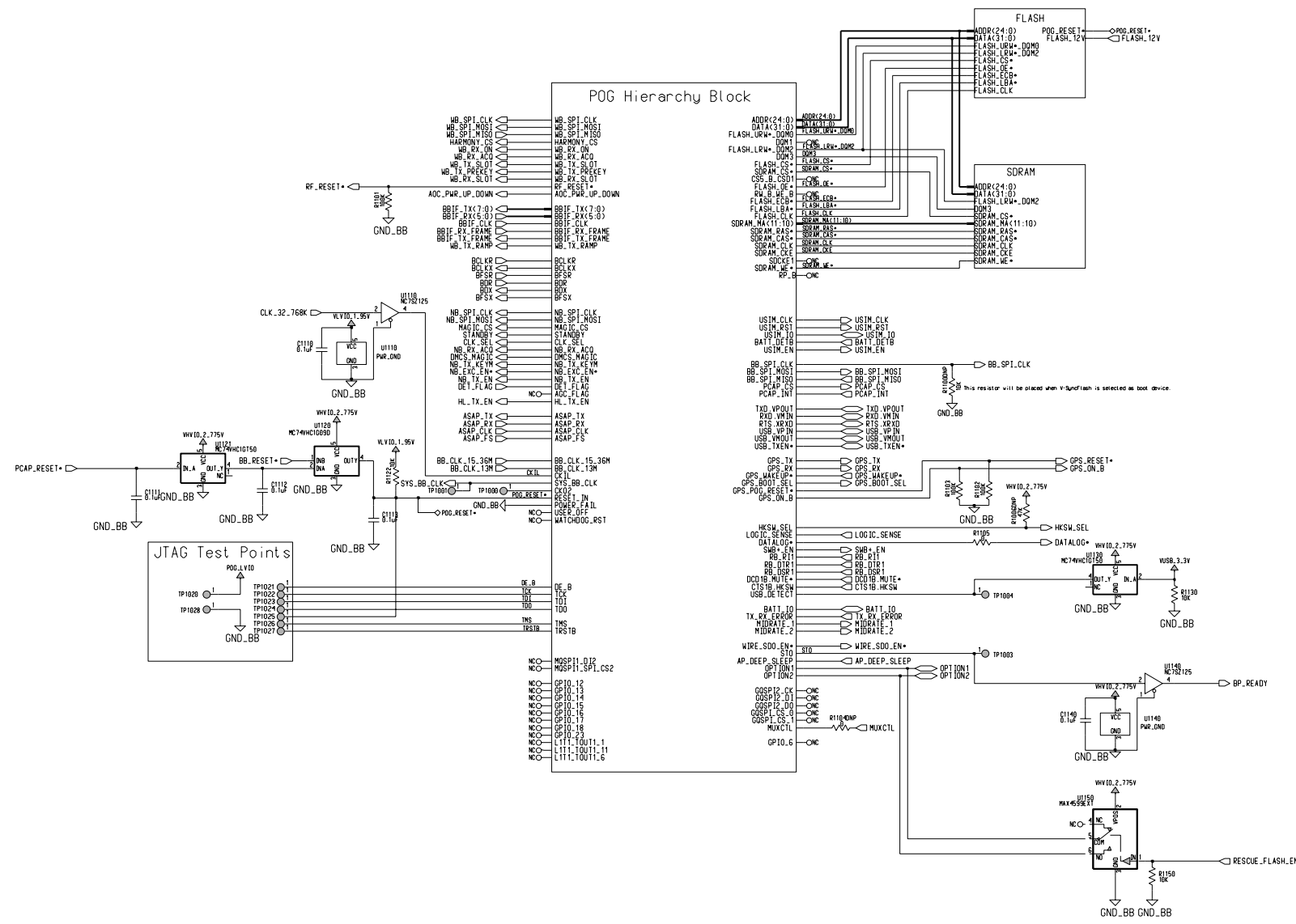
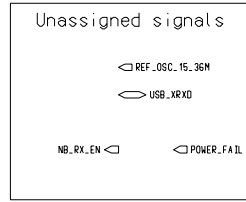
Boot Configuration Settings

DATA(0): LOW = External Boot, High = Boot from UART A into DRAM
 DATA(7)/DATA(15): HIGH/LOW = Unsupported BUS
 DATA(8): LOW = Little Endian (Intel/ARM), HIGH = Big Endian (SPS)

Tom Harrington made recommendation for single stage "L" matching network. See T.H.'s "GPS RF Report".



Engineer:	Rev:	DATE:	TIME:
Drawn by:	Checked by:		
Doc. Ctrl. Chk:	Doc. Ctrl. Chk:		
Rev. Ctrl. Chk:	Rev. Ctrl. Chk:		
QA Chk:	QA Chk:		
Changed by:	Date:	Time:	
name:	Friday, May 31, 2002	11:24:34 am	
KEY:	Drawing Number:	Page:	Of:
E.Abe	- Updated from aB to aB		See 24 2002
E.Abe	- Connected USB_DETECT signal		Oct 05 2002
	- Placed a 50ohm place holder for MUXCTL signal		
E.Abe	- Changed reset circuitry		Oct 24 2002
E.Abe	- Assigned GPS_ON_B signal to GPS_ON		Jan 20 2003
E.Abe	- Moved level shifter for PCAP_RESET from PCAP section.		Feb 13 2003
E.Abe	- Changed TP940 to POG.LVID		Feb 25 2003
	- Added pull-down resistor to GPS_ON_B		
E.Abe	- Added 81005 and 81002NIP for JTAG communication		Mar 01 2003
E.Abe	- Removed GPS_TIME_SYNC signal		Apr 04 2003



1 2 3 4 5 6 7

A

B

C

D

E

F

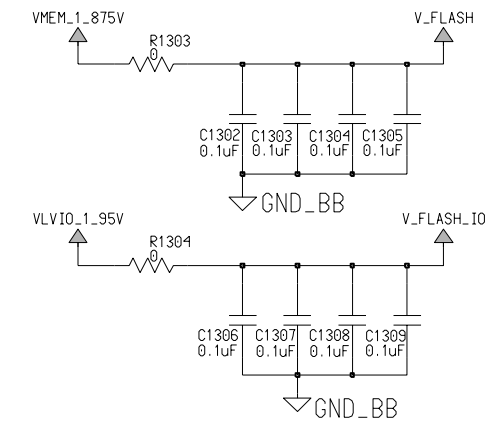
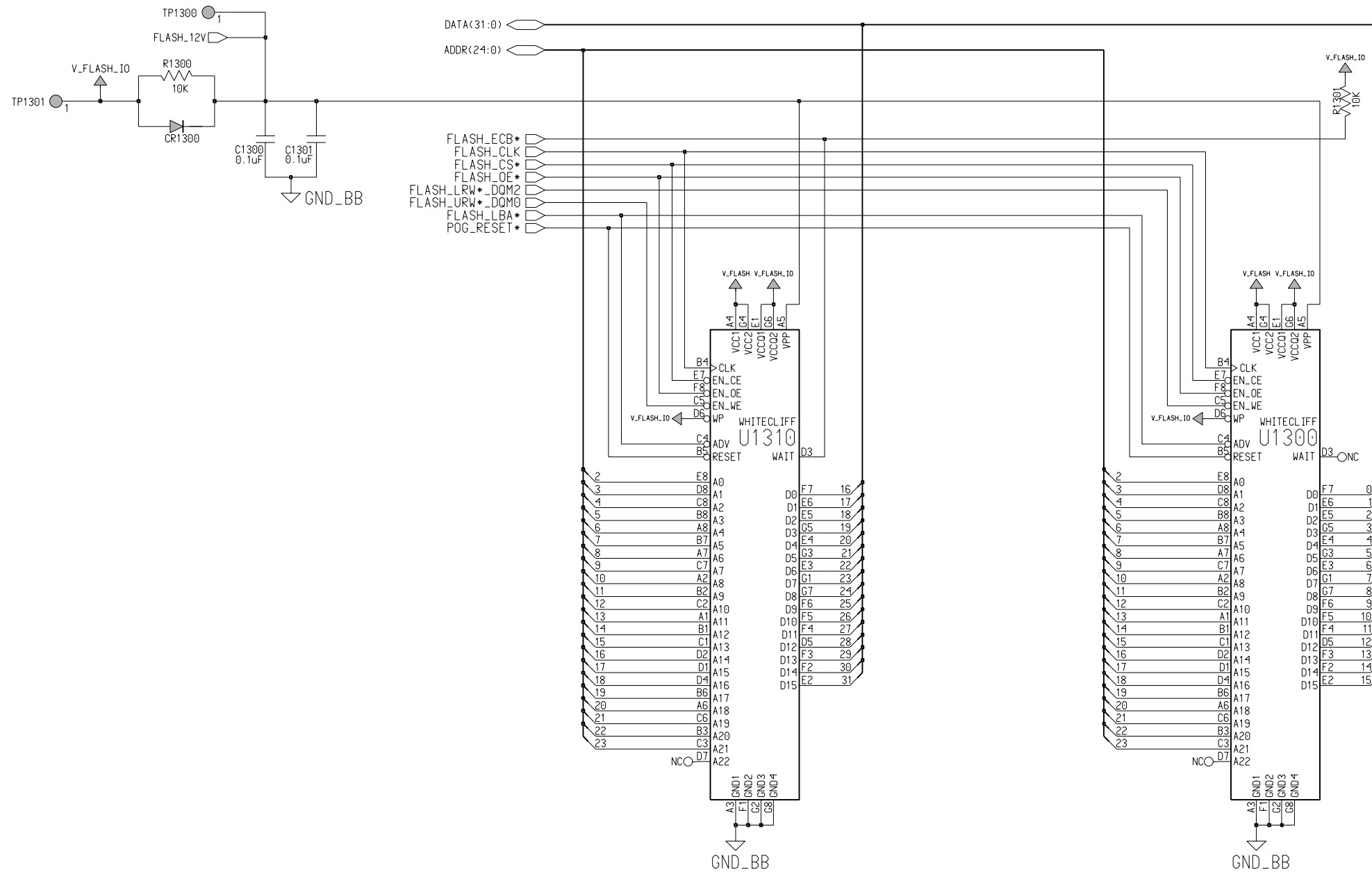
G


MOTOROLA CONFIDENTIAL PROPRIETARY

Engineer: Kenyu Abe			
Drawn by: Kenyu Abe			
R&D CHK:	TITLE: Paragon 1.5 POG FLASH	Size:	
DOC CTRL CHK:	REV:	Drawing Number:	Page:
MFG CTRL CHK:	QA CHK:	Date: Friday, May 31, 2002	Time: 11:24:34 am
Changed by: kabe			

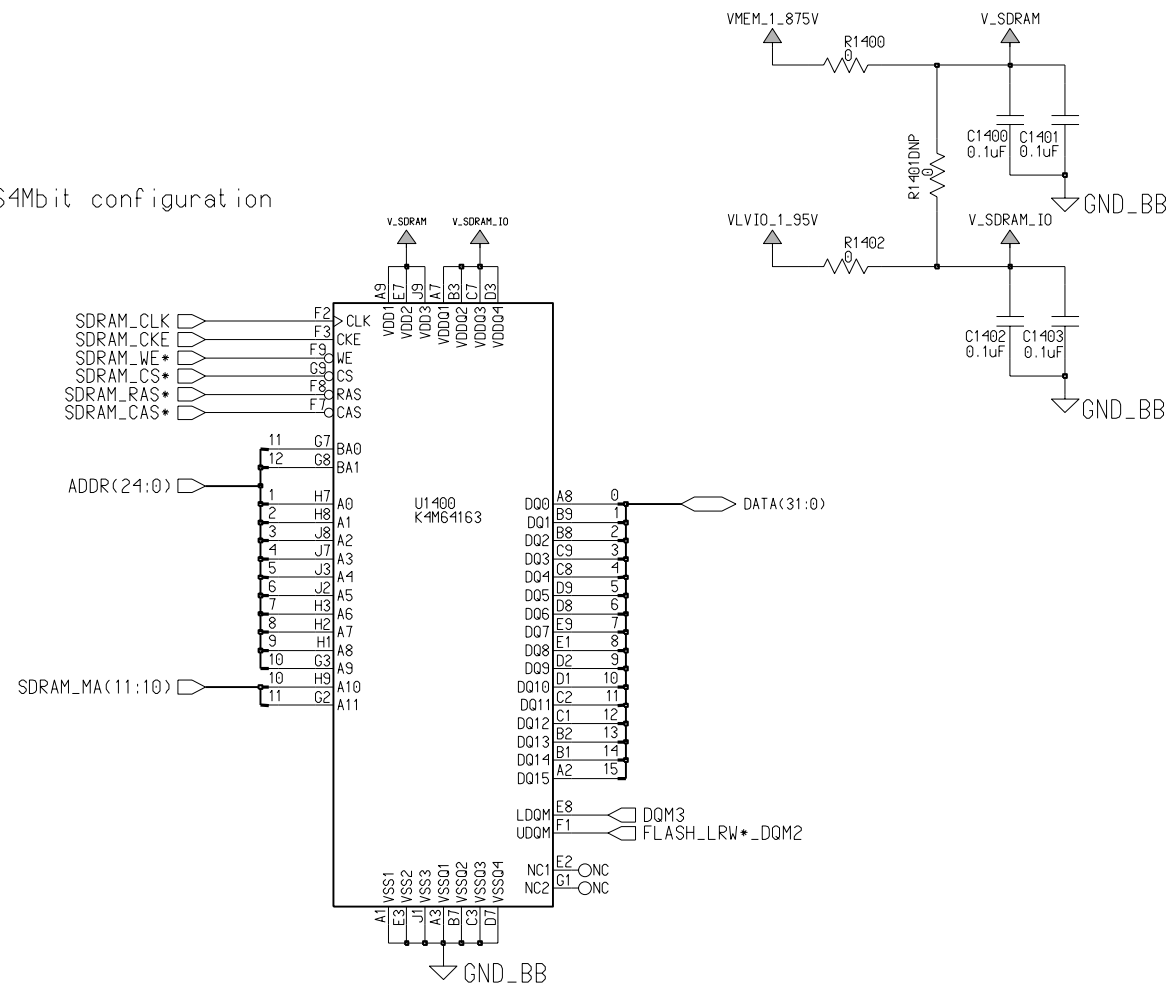
K.Abe - Removed R1302DNP

Mar 31 2003



Engineer: Kenyu Abe	 MOTOROLA INC.		
Drawn by: Kenyu Abe			
R&D CHK:	TITLE: Paragon 1.5 POG SDRAM	Size:	
DOC CTRL CHK:	REV:	Drawing Number:	Page:
MFG CTRL CHK:	QA CHK:	Date: Friday, May 31, 2002	Time: 11:24:34 am

64Mbit configuration



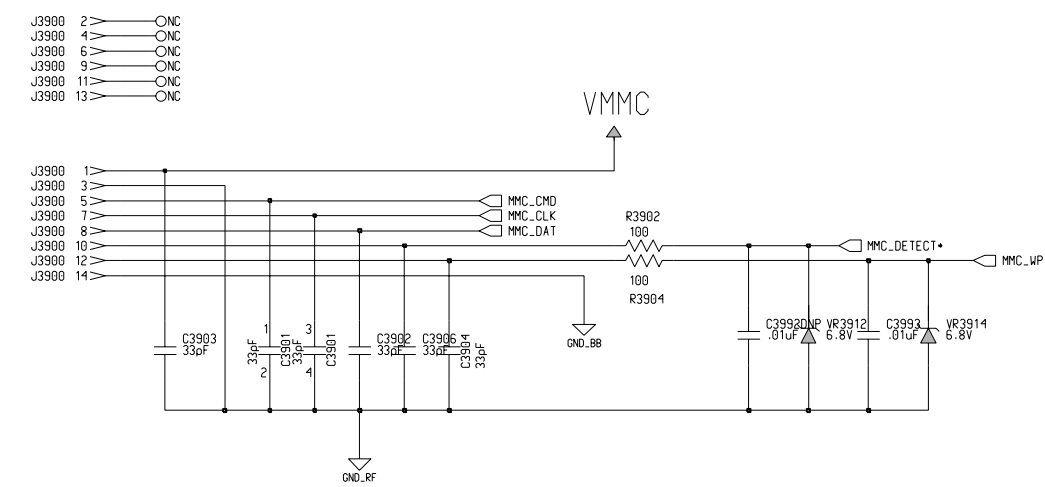
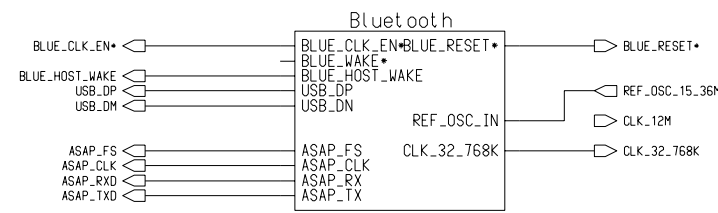
- K.Abe** - Removed C1402, C1403, C1406 and C1407 Jan 29 2003
- Added jumpers to select SDRAM size
- K.Abe** - Configured SDRAM as 64Mbit Mar 01 2003
- K.Abe** - Updated SDRAM part to 510950A55 Mar 25 2003
- Removed jumpers for 128Mbit part configuration

SDRAM size BA Connection	IAM=0(Non-Interleaved)	
	4Mx16	8Mx16
BA0	SDBA0(ADDR11)	SDBA1(ADDR12)
BA1	SDBA1(ADDR12)	SDBA2(ADDR13)

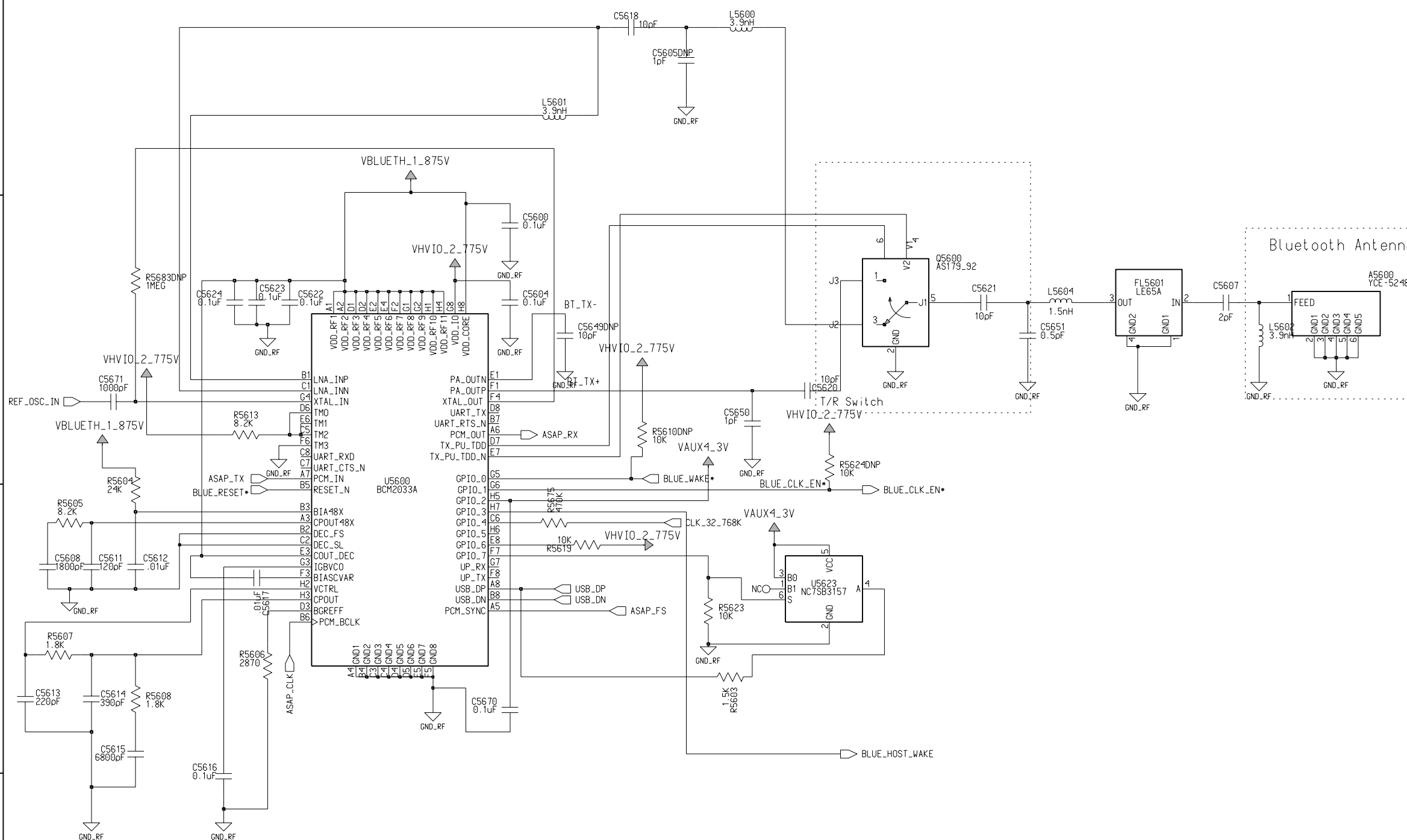
MOTOROLA CONFIDENTIAL PROPRIETARY

4 1 3 A

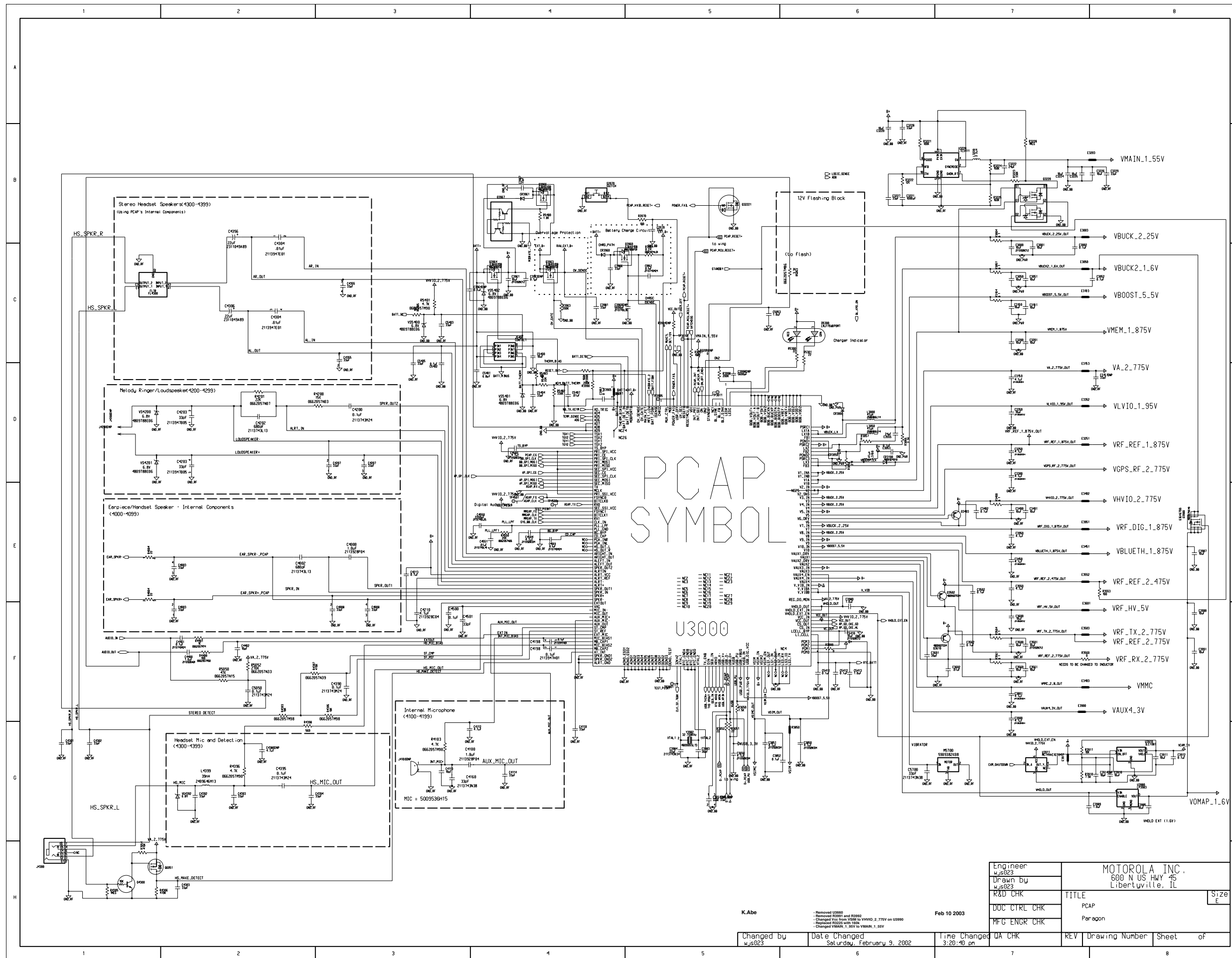
Engineer:	John S. Kerr				
Drawn by:	John S. Kerr				
R&D CHK:		TITLE:	TALON	Size:	11x21
DOC CTRL CHK:		USIM/BT Board Connector			
MFG CTRL CHK:		REV:	1	Page:	1
QA CHK:		OF:	1		
Changed by:	John Kerr	Date:	Wednesday, August 8, 2001	Time:	4:43:54 pm



MOTOROLA CONFIDENTIAL PROPRIETARY



Engineer: John Kerr	MOTOROLA INC.		
Drawn by:	TITLE: Bluetooth		
R&D CHK:	REV: Drawing Number:		Page: OF:
DOC CTRL CHK:	REV: Drawing Number: Page: OF:		
MFG CTRL CHK:	REV: Drawing Number: Page: OF:		
QA CHK:	REV: Drawing Number: Page: OF:		
Changed by: John Kerr	Date: November 1, 2001	Time:	



PCAP
SYMBOL

U3000

Engineer w.s023	MOTOROLA INC. 600 N US HWY 45 Libertyville, IL	TITLE PCAP Paragon	Size E
Drawn by w.s023			
R&D CHK			
DOC CTRL CHK			
MFG ENGR CHK	REV	Drawing Number	Sheet of

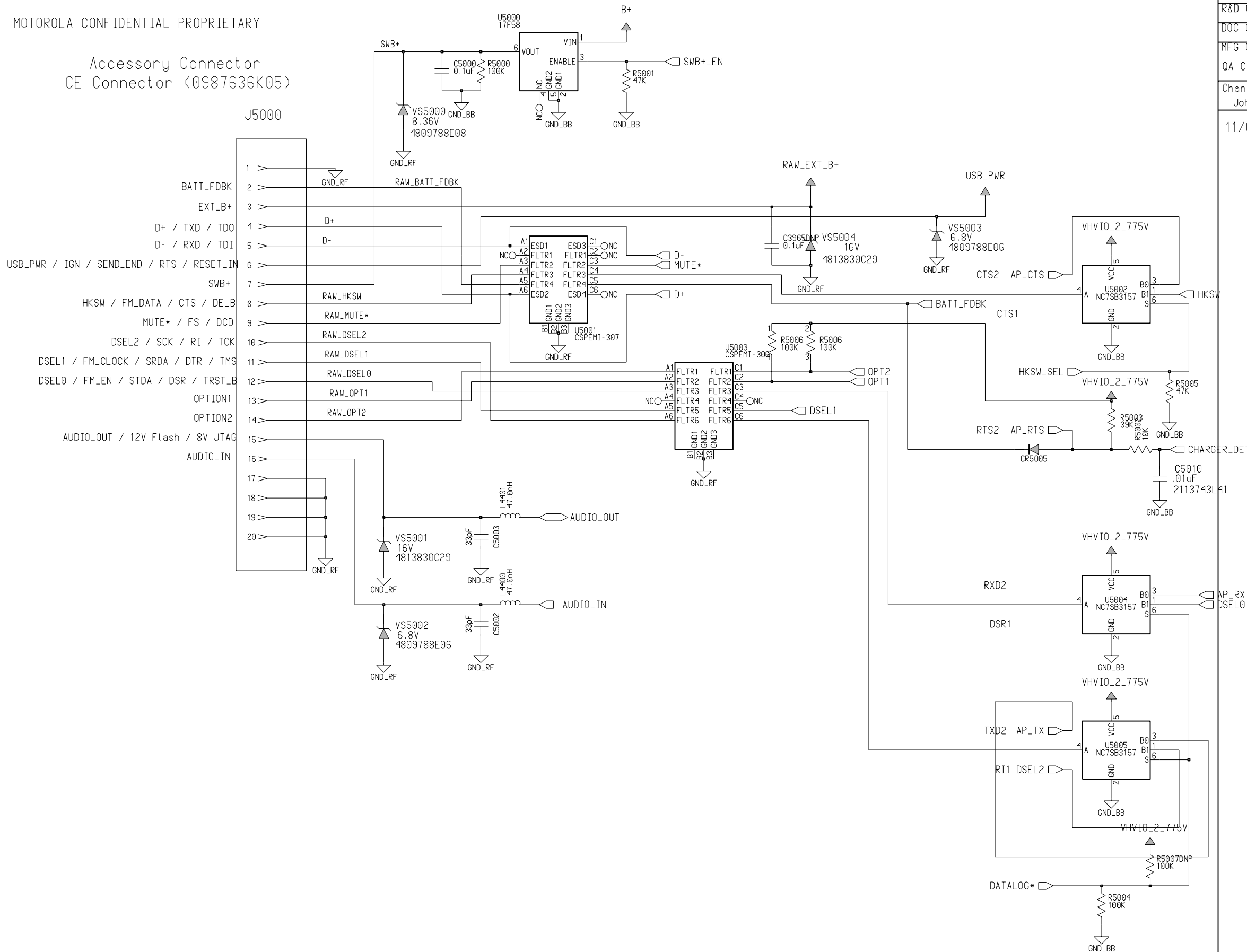
Changed by w.s023	Date Changed Saturday, February 9, 2002	Time Changed 3:20:40 pm	QA CHK
K.Abe		Feb 10 2003	

Removed U560
Removed R501 and R502
Changed Vcc from V5M to VHVIO_2_775V on U2990
Replaced R522 with 100K
Changed VMAIN_1_55V to VMAIN_1_55V

MOTOROLA CONFIDENTIAL PROPRIETARY

Accessory Connector CE Connector (0987636K05)

J5000



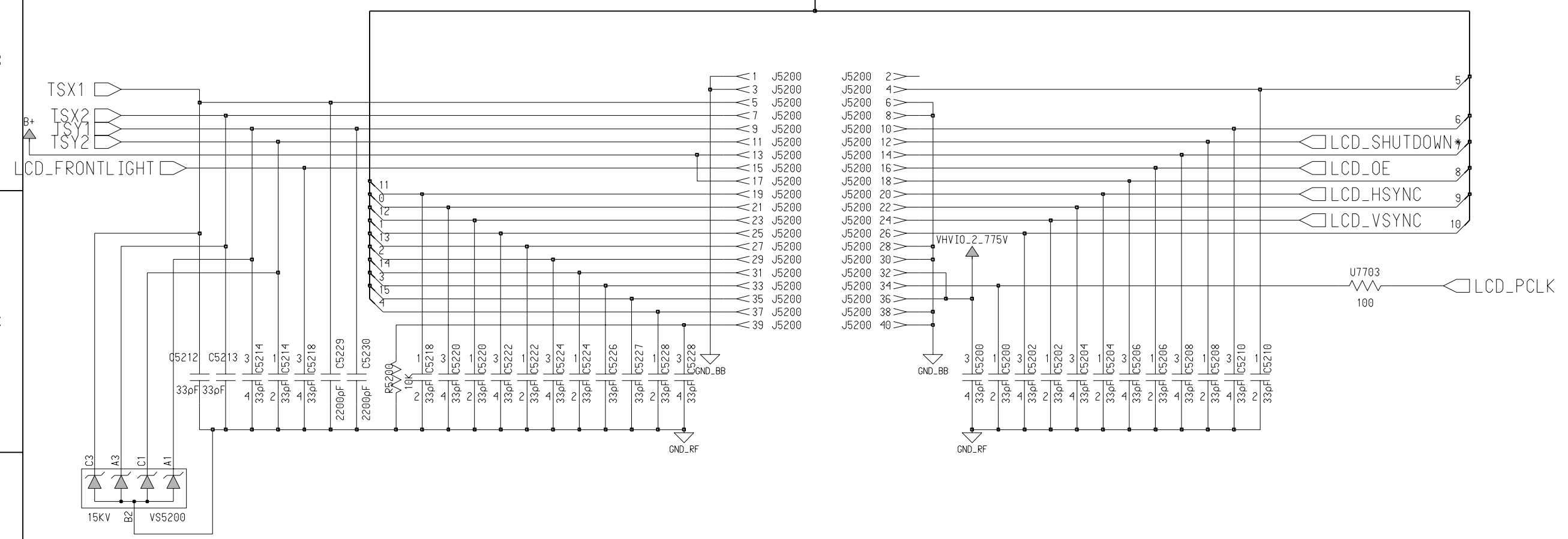
Engineer: John Kerr			
Drawn by:			
R&D CHK:	TITLE: PARAGON	Size:	
DOC CTRL CHK:	CE Accessory Connector		
MFG CTRL CHK:	REV:	Drawing Number:	Page: OF:
QA CHK:	Date: 11/01/01		Time:
Changed by: John S. Kerr	11/01/01		

11/01/01 Changed bypass ground on Audio IN/OUT from BB to GND_RF.

4 1 3 A

Engineer: John Fitzsimons			
Drawn by: John Fitzsimons			
R&D CHK:	TI Title: Display Connector	11x17	Size:
DOC CTRL CHK:			
MFG CTRL CHK:			
QA CHK: w14184	REV: Friday, September 14, 2001	Drawing Number: 1	Page: 1 1:10:28 pm
Changed by:	Date:	Time:	

LCD_PIXEL (15:0)



A

B

C

D

A

B

C

D

1

2

3

4

1

2

3

4

1

2

3

4

MOTOROLA INTERNAL USE ONLY

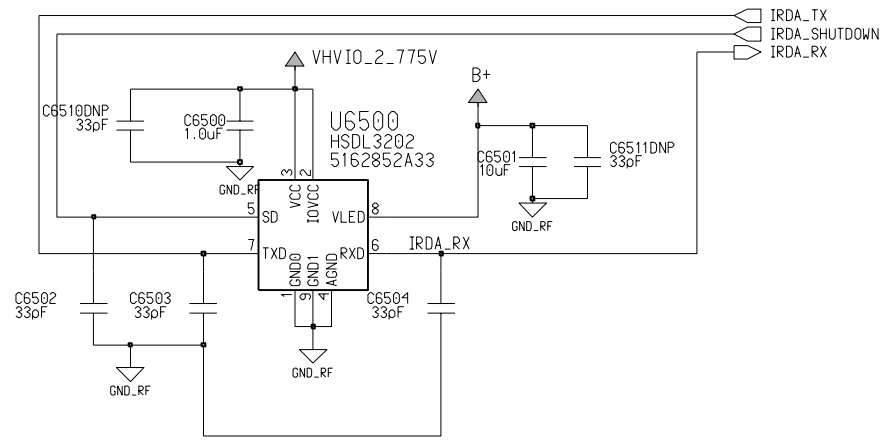
Engineer:	MOTOROLA INC.		
Drawn by:			
R&D CHK:	TITLE:	Size:	
DOC CTRL CHK:			
MFG CTRL CHK:			
QA CHK:	REV:	Drawing Number:	Page: OF:
Changed by:	Date:	Time:	

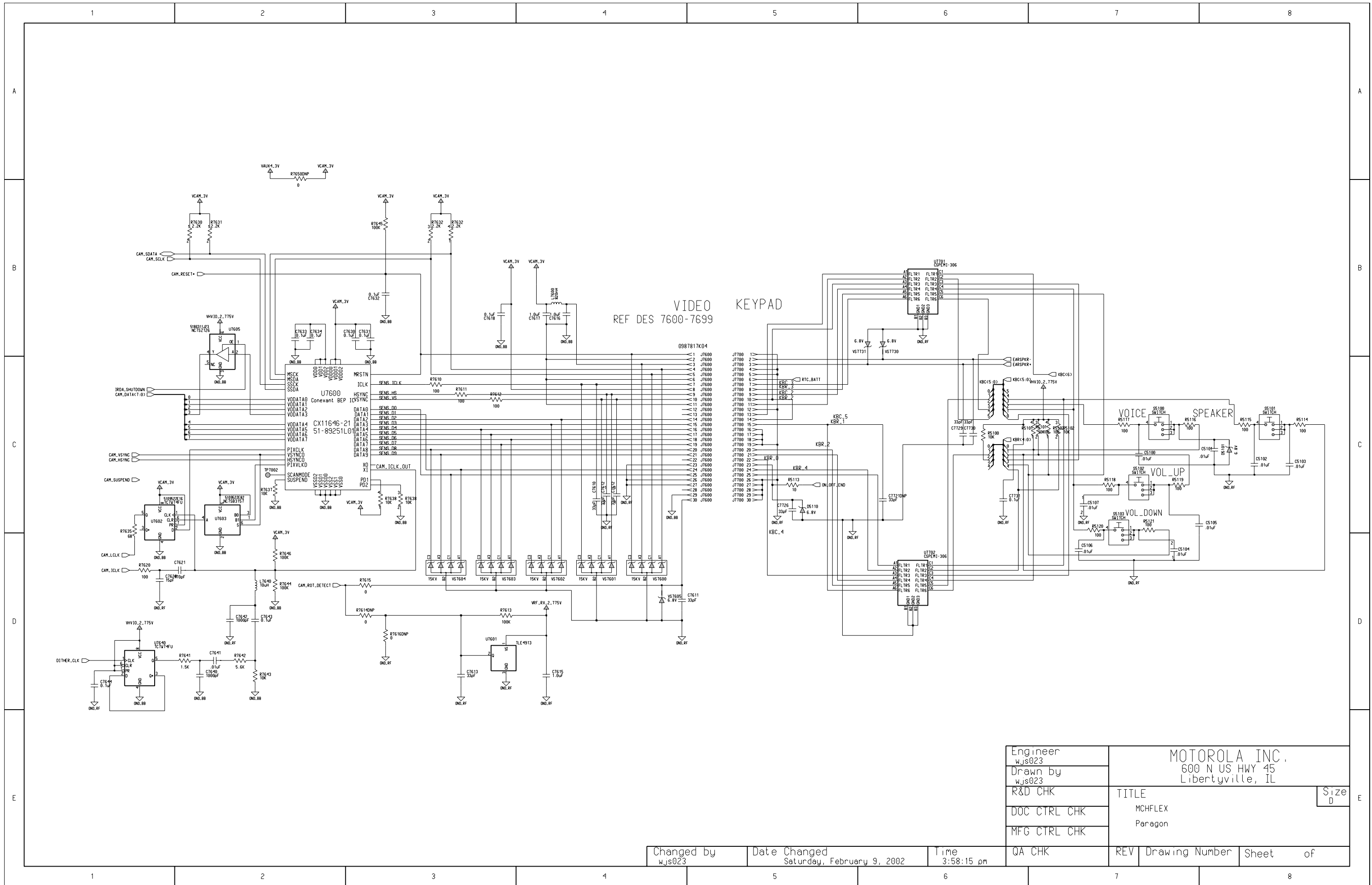
A

B

C

D

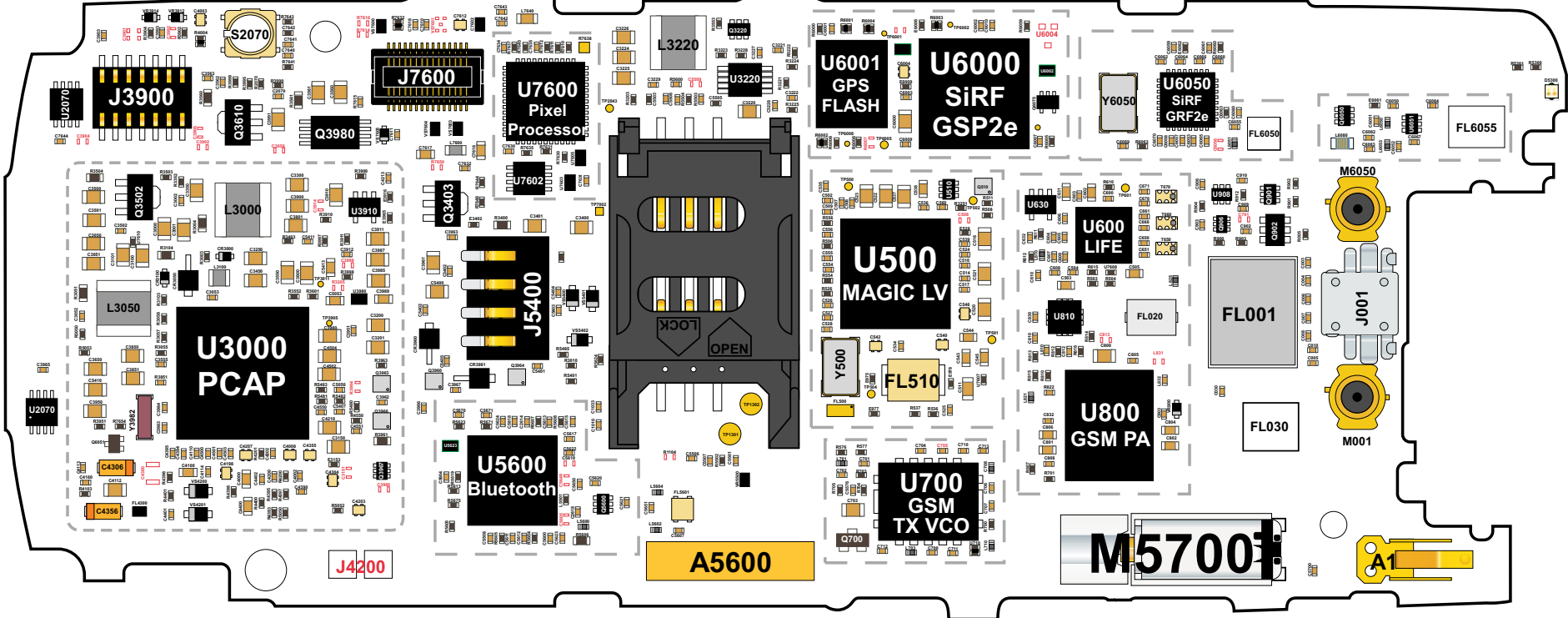




Engineer wjs023	MOTOROLA INC. 600 N US HWY 45 Libertyville, IL		
Drawn by wjs023			
R&D CHK	TITLE	Size D	
DOC CTRL CHK	MCHFLEX		
MFG CTRL CHK	Paragon		
QA CHK	REV	Drawing Number	Sheet of

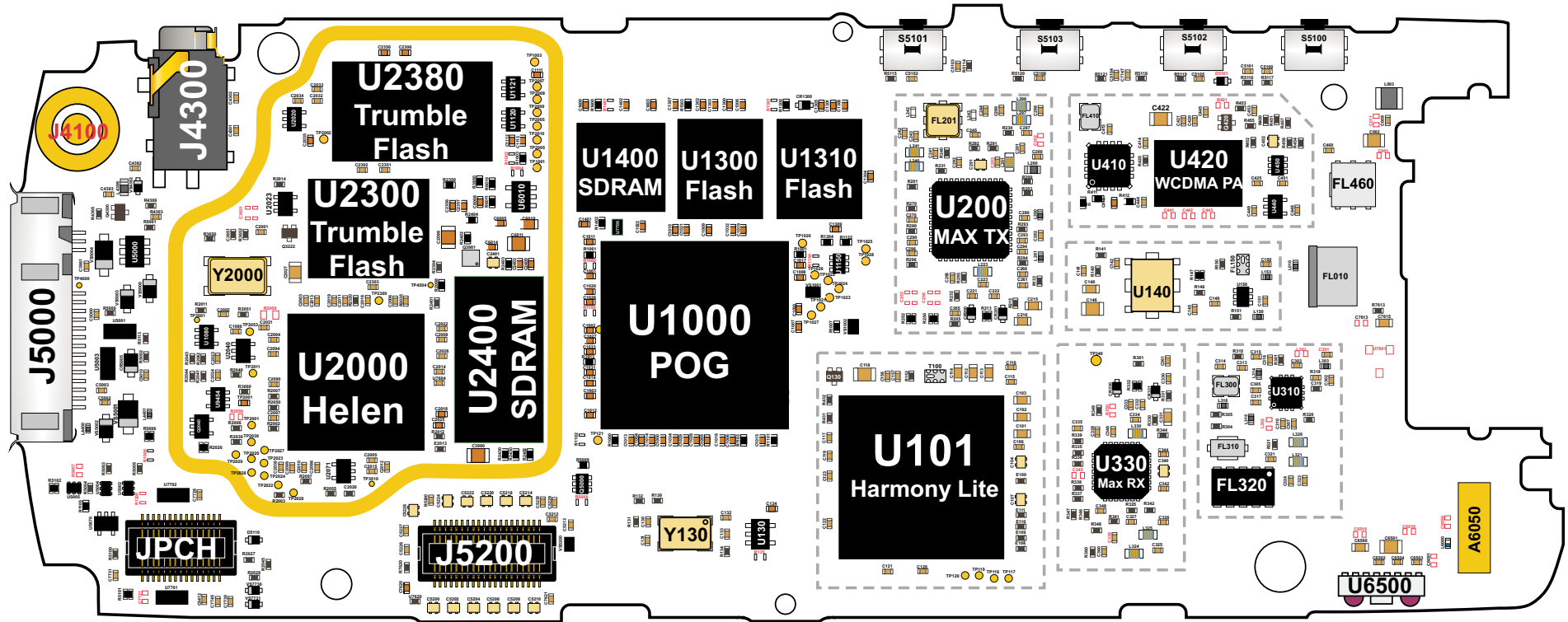
Changed by wjs023 Date Changed Saturday, February 9, 2002 Time 3:58:15 pm

A920: Layout Side 1 (P5B Build)



Board: 8487855M01

A920: Layout Side 2 (P5B Build)



Board: 8487855M01