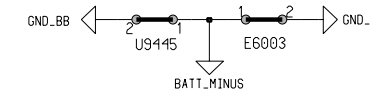
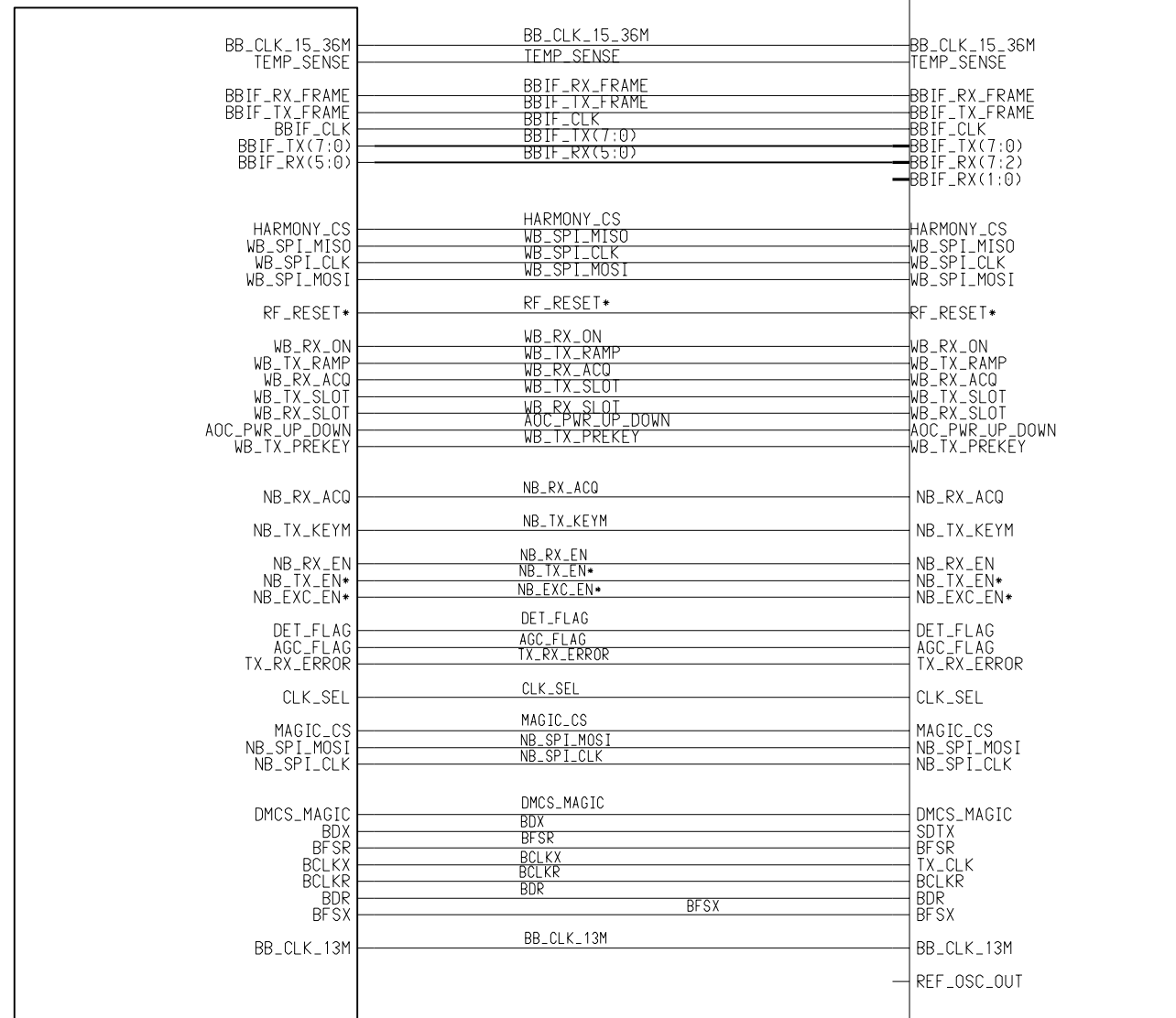
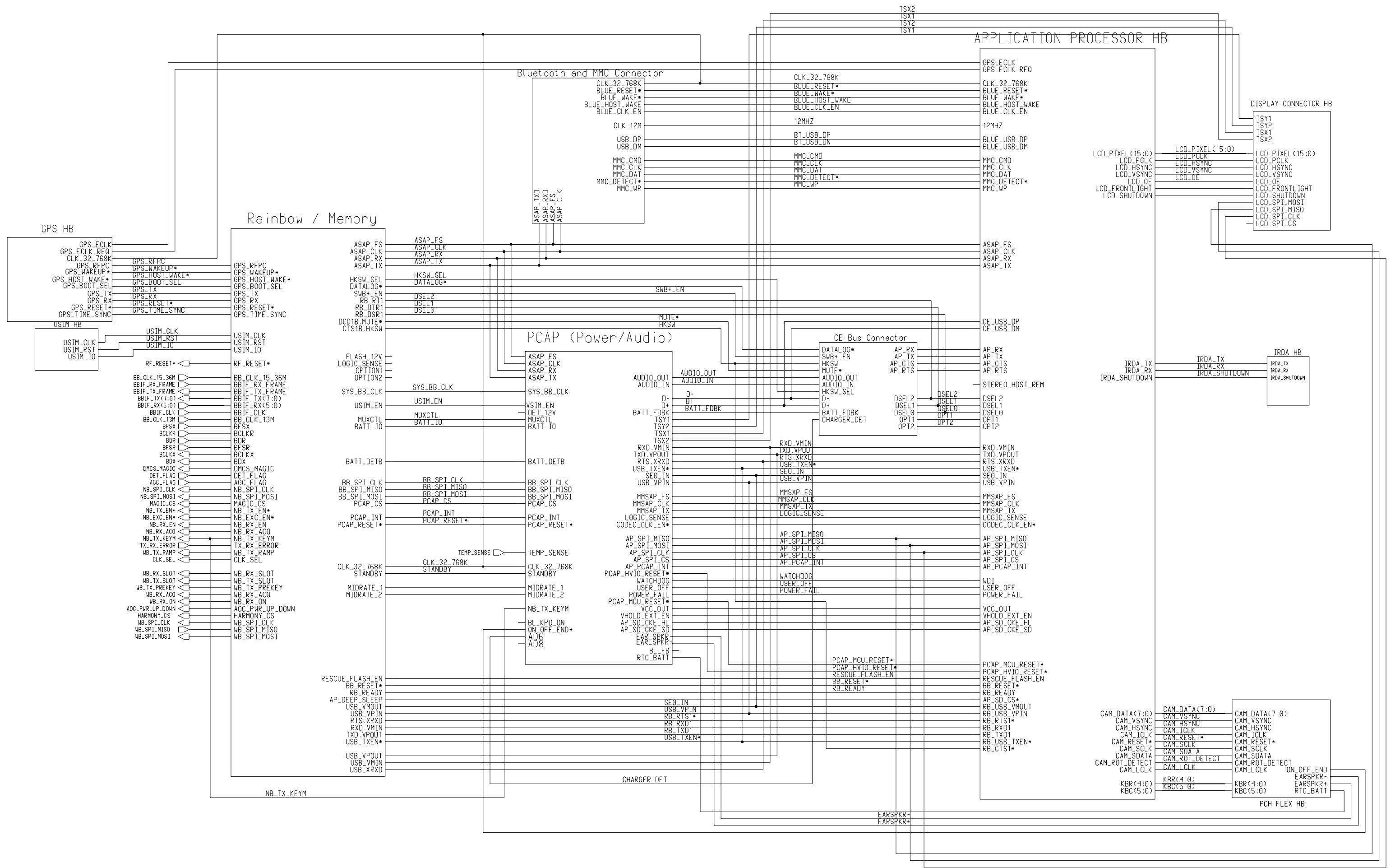


Engineer: John Kerr			
Drawn by: John Kerr			
R&D CHK:	TITLE: Paragon	Size: 11x17	
DOC CTRL CHK:	Top Level		
MFG CTRL CHK:	REV:	Drawing Number:	Page: Of:
QA CHK:	Date: Thursday, November 1, 2001		Time: 11:17:40 am
Changed by: w14184			

Baseband HB

RF HB





1

2

3

4

A

B

C

D

A

B

C

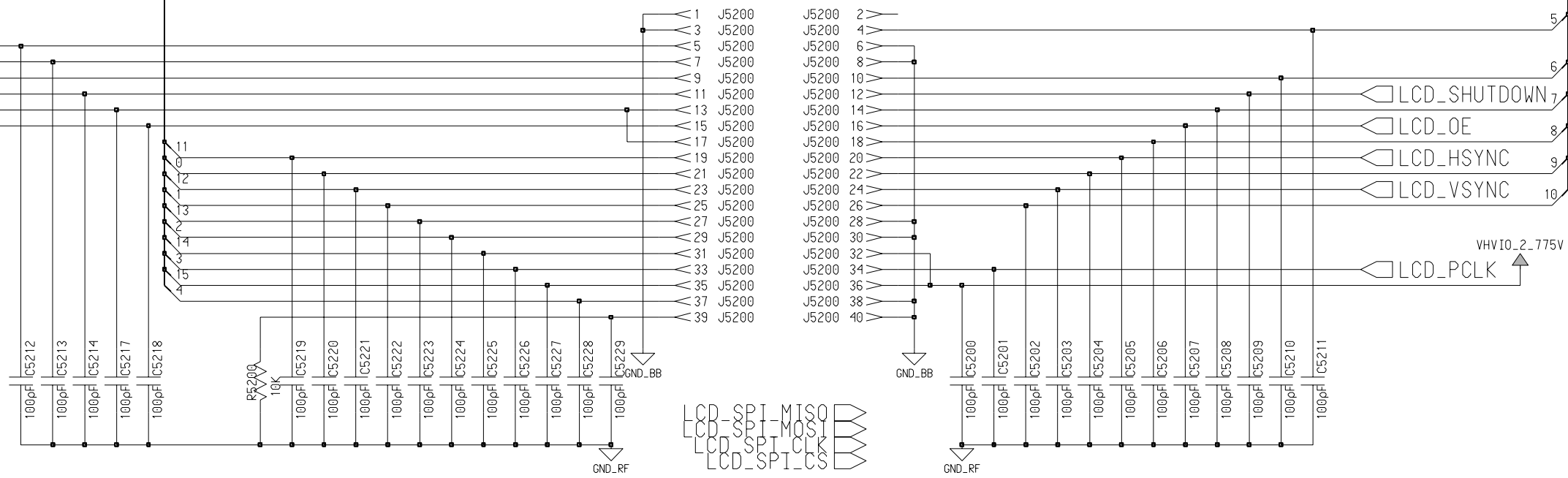
D

4 1 3 A

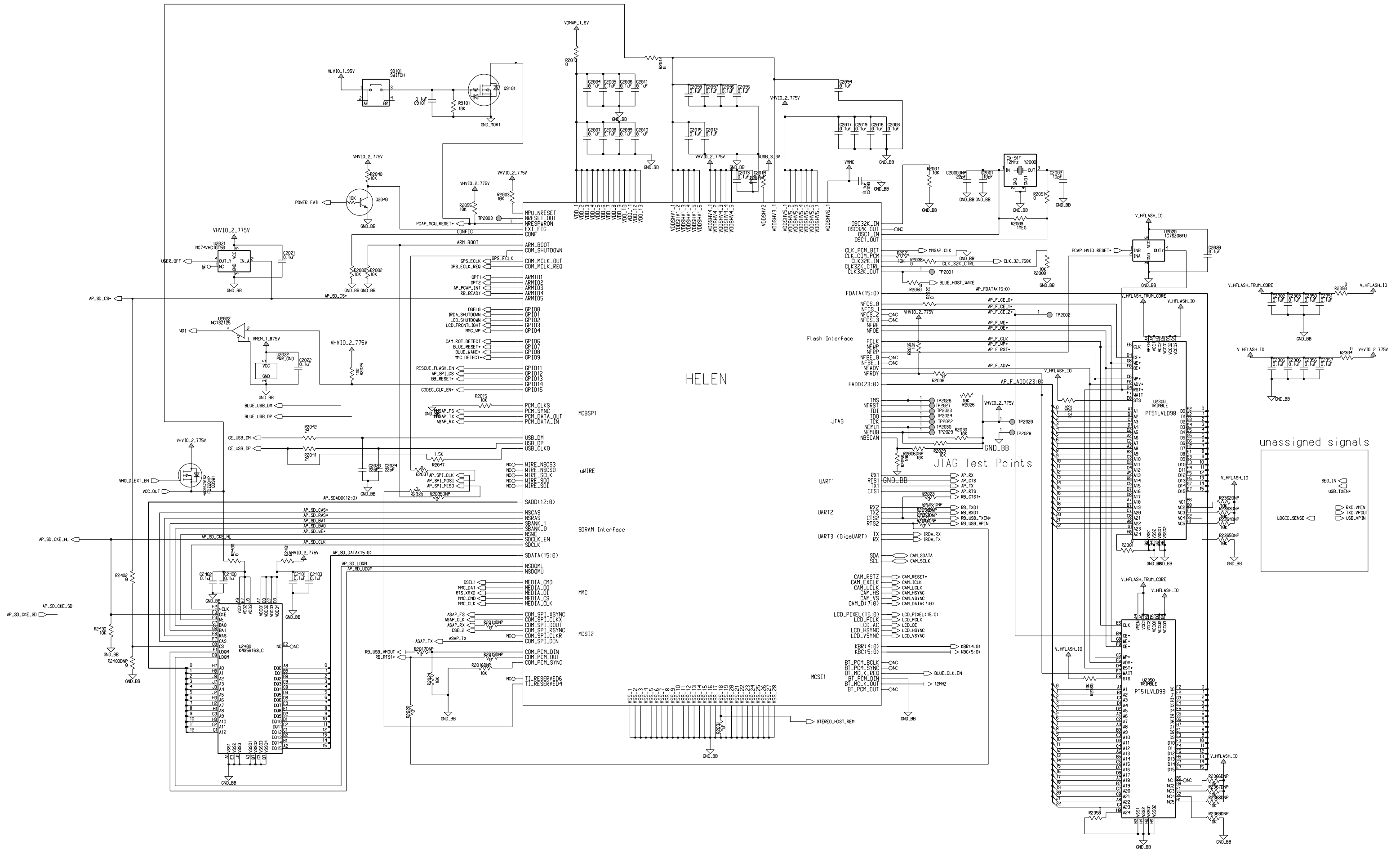
Engineer: John Fitzsimons		
Drawn by: John Fitzsimons		
R&D CHK:	TI: 11x17	Size:
DOC CTRL CHK:	Display Connector	
MFG CTRL CHK:	0	
QA CHK: w14184	REV: Friday, September 14, 2001	Page: 1 of 1
Changed by:	Date:	Time:

LCD_PIXEL <15:0>

B+
TSX1
TSX2
TSY1
TSY2
LCD_FRONTLIGHT

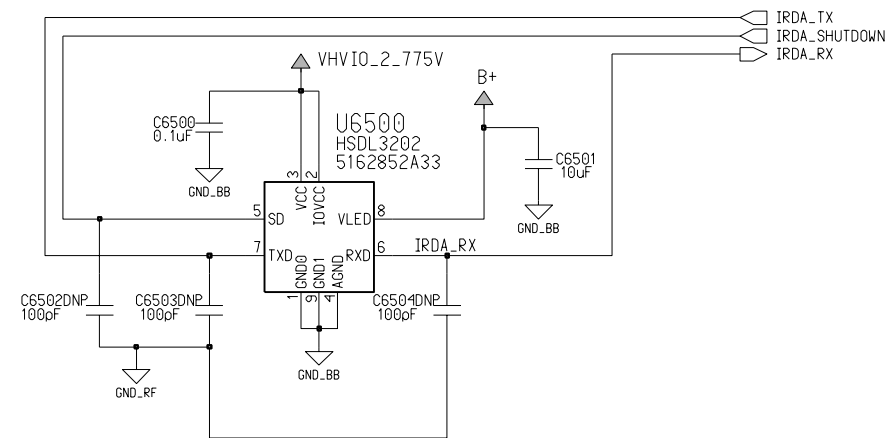


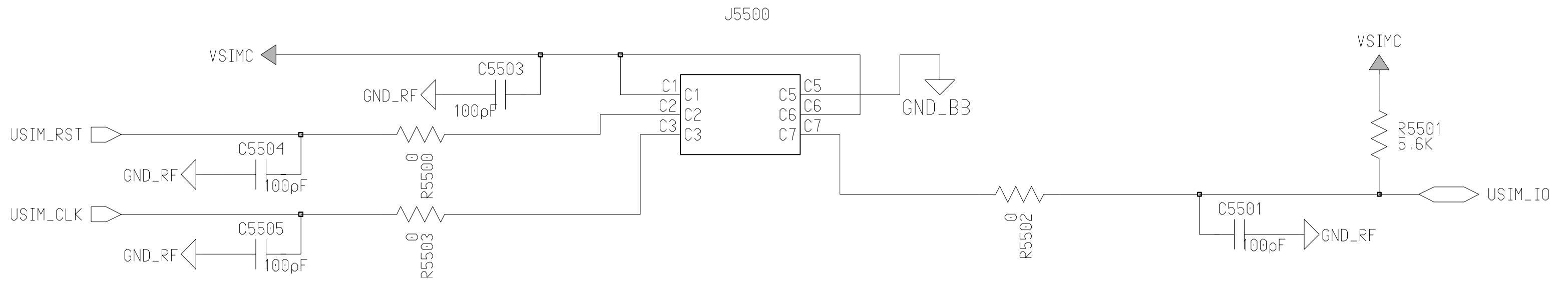
LCD_SSP1-MISO
LCD_SSP1-MOSI
LCD_SSP1-CS
LCD_SSP1-CS2



MOTOROLA INTERNAL USE ONLY

Engineer:	MOTOROLA INC.		
Drawn by:			
R&D CHK:	TITLE:	Size:	
DOC CTRL CHK:			
MFG CTRL CHK:			
QA CHK:	REV:	Drawing Number:	Page: OF:
Changed by:	Date:	Time:	





1

2

3

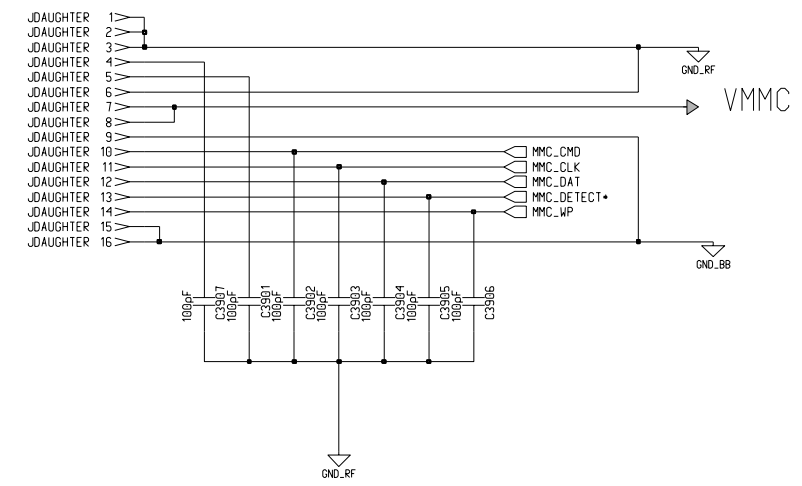
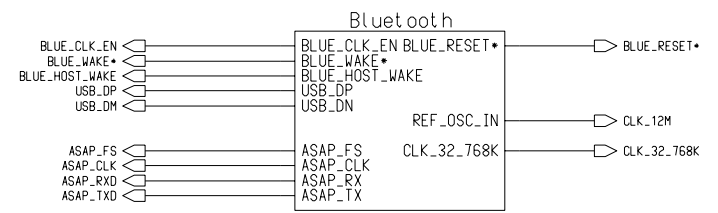
4

5

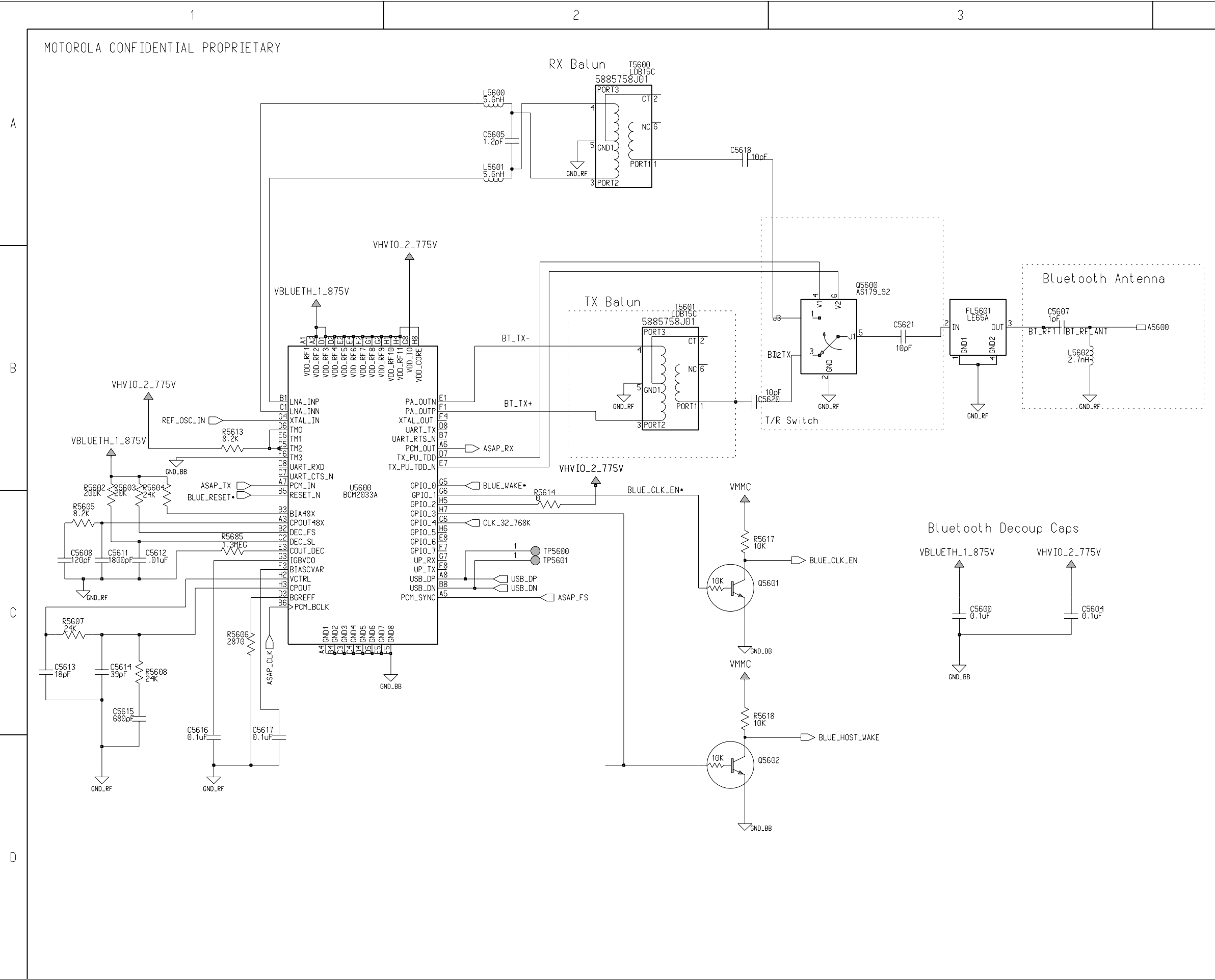
MOTOROLA CONFIDENTIAL PROPRIETARY

4 1 3 A

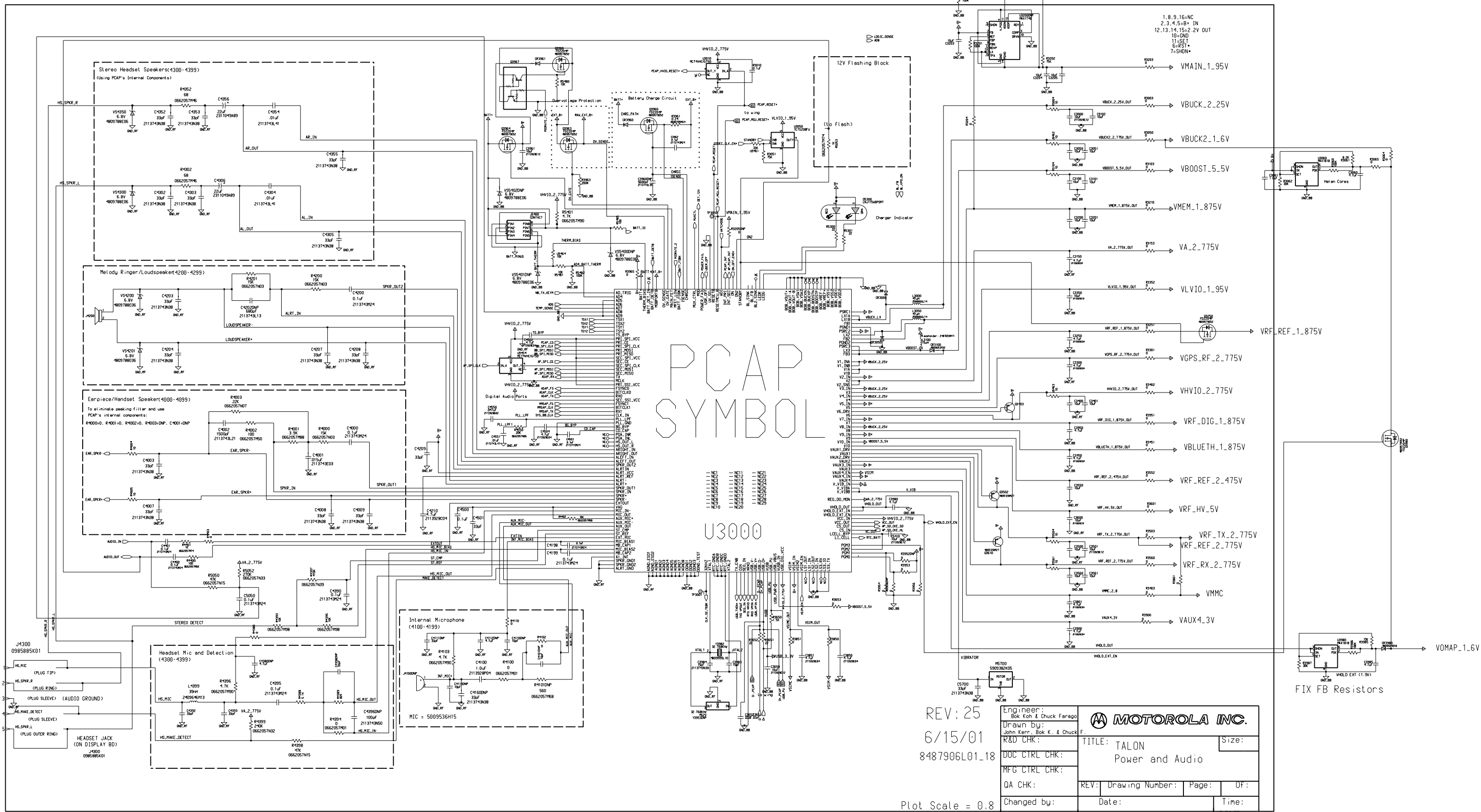
Engineer:	John S. Kerr			
Drawn by:	John S. Kerr			
R&D CHK:				TITLE: TALON
DOC CTRL CHK:				USIM/BT Board Connector
MFG CTRL CHK:				Size: 11x21
QA CHK:	REV:	Drawing Number:	Page:	Of:
Changed by:	Date:			Time:
John Kerr	Wednesday, August 8, 2001			4:43:54 pm



Engineer:	John Kerr		
Drawn by:	MOTOROLA INC.		
R&D CHK:	TITLE:	Bluetooth	
DOC CTRL CHK:	REV:	Drawing Number:	Page:
MFG CTRL CHK:	QA CHK:	REV:	Page:
Changed by:	Date:	November 1, 2001	Time:



Size:	
REV:	
Drawing Number:	
Page:	
OF:	



REV: 25
6/15/01
8487906L01_18

Engineer: Bok Koh & Chuck Farago		Size:
Drawn by: John Kerr, Bok K. & Chuck F.		TITLE: TALON Power and Audio
R&D CHK:	QA CHK:	REV: Drawing Number: Page: DF:
DOC CTRL CHK:	MFG CTRL CHK:	Date: Time:
Changed by:		8:10:100 DR

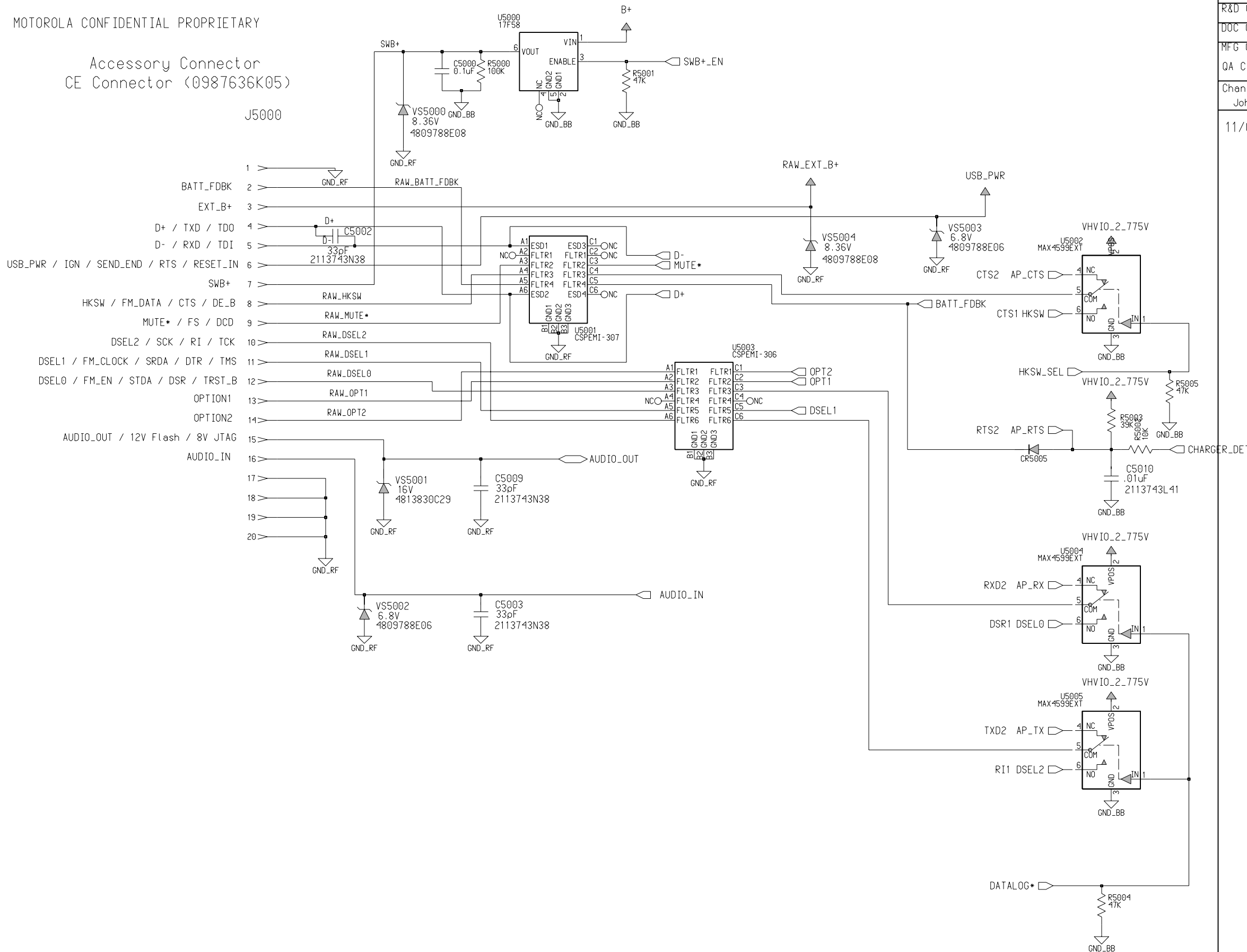
Plot Scale = 0.8

FIX FB Resistors

MOTOROLA CONFIDENTIAL PROPRIETARY

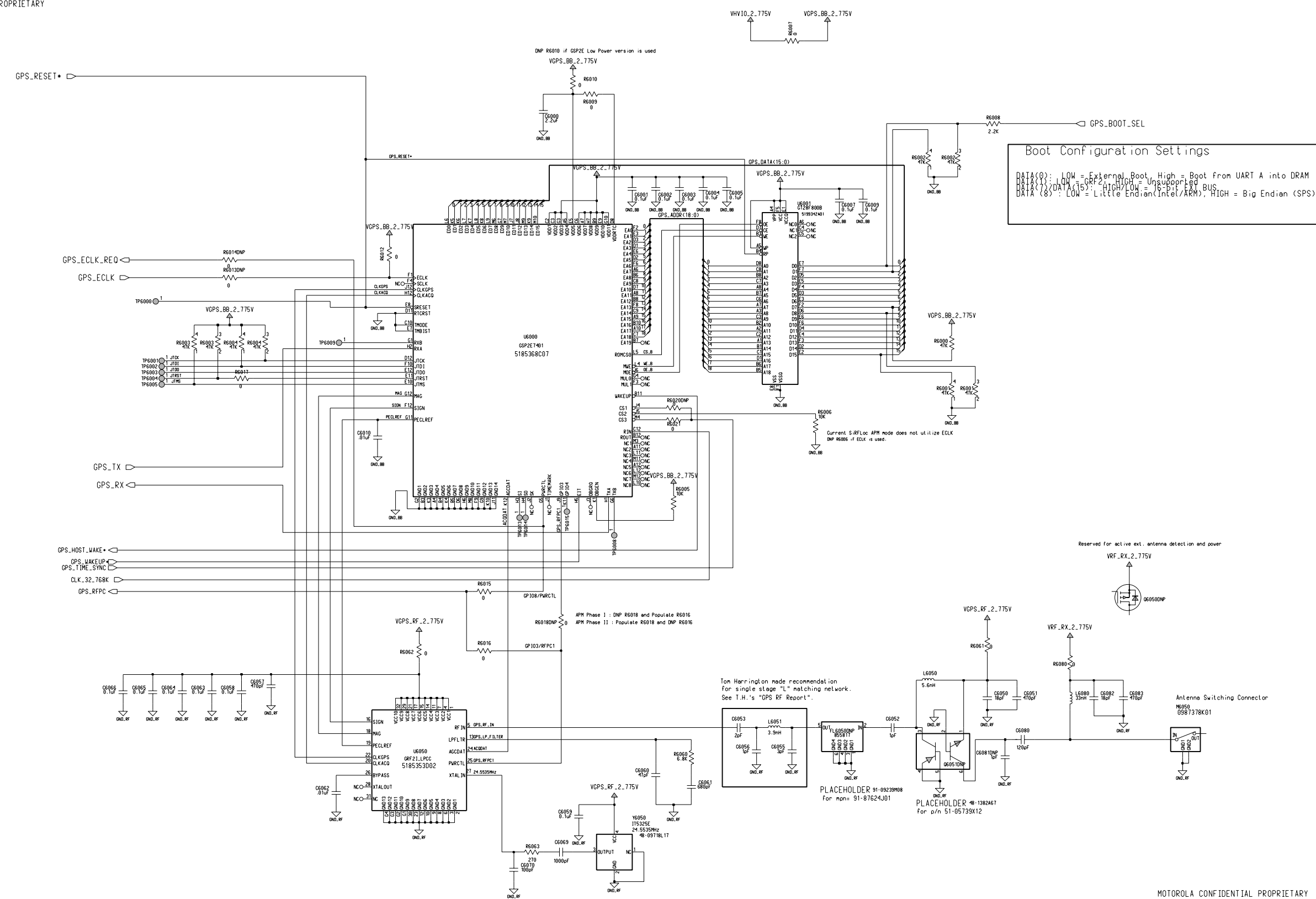
Accessory Connector CE Connector (0987636K05)

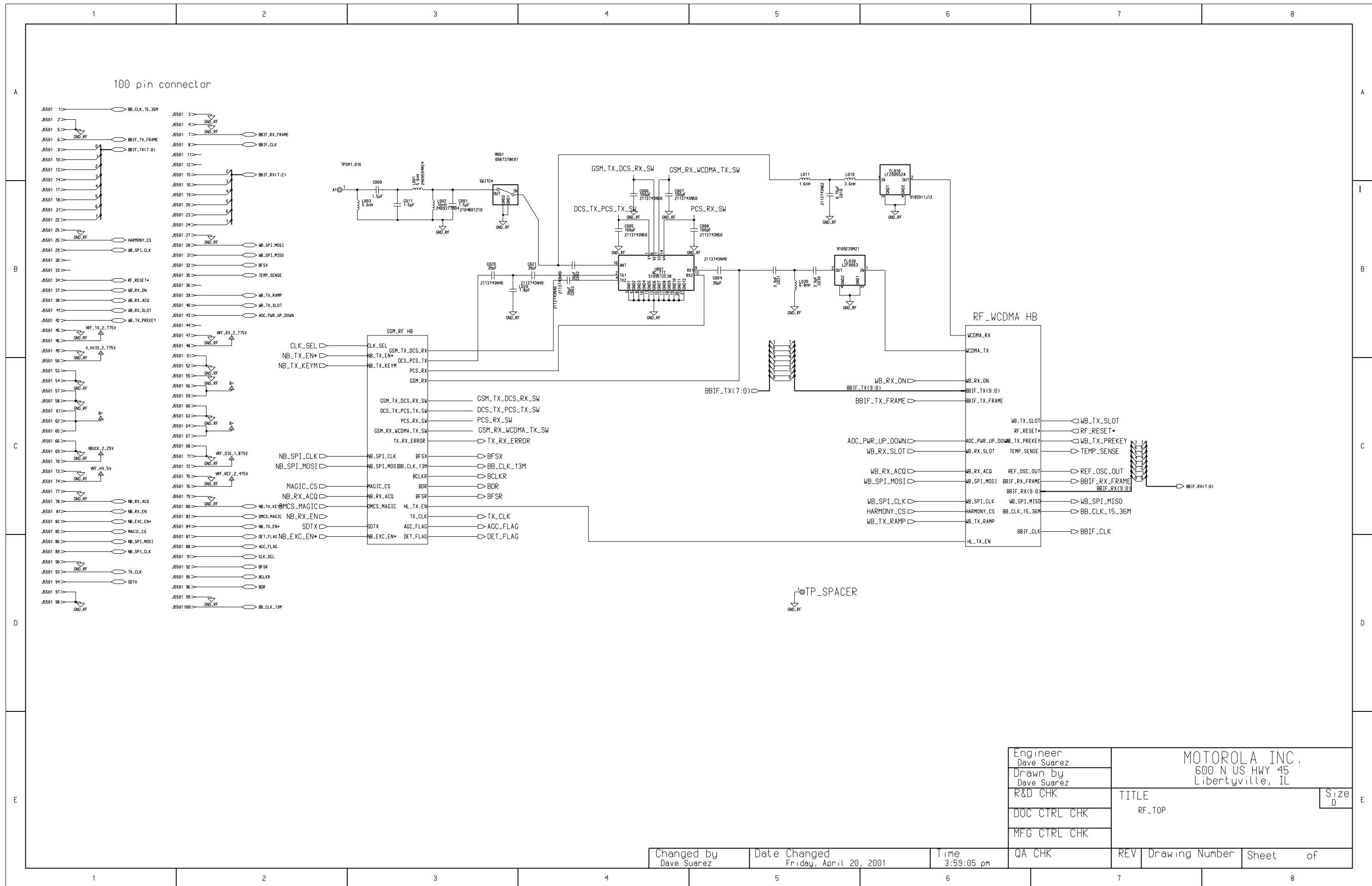
J5000



Engineer: John Kerr			
Drawn by:			
R&D CHK:	TITLE: PARAGON	Size:	
DOC CTRL CHK:	CE Accessory Connector		
MFG CTRL CHK:	REV:	Drawing Number:	Page:
QA CHK:	Date: 11/01/01		OF:
Changed by: John S. Kerr	Date: 11/01/01		Time:

11/01/01 Changed bypass ground on Audio IN/OUT from BB to GND_RF.

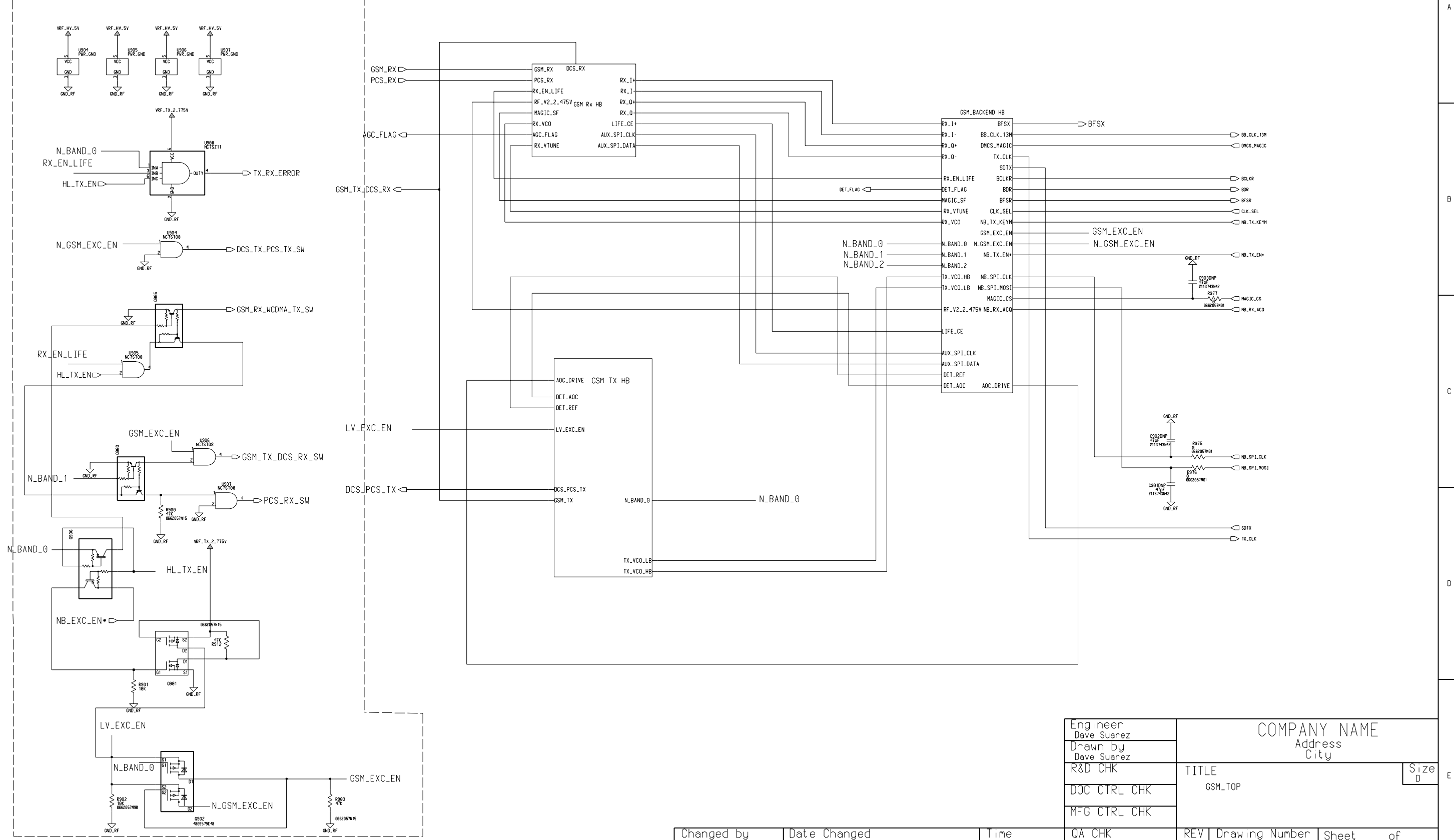




Engineer Dave Suarez	MOTOROLA INC., 600 N US HWY 45 Libertyville, IL		
Drawn by Dave Suarez			
R&D CHK	TITLE	Size	D
DOC CTRL CHK	RF_TOP		
MFG CTRL CHK			
QA CHK	REV	Drawing Number	Sheet of

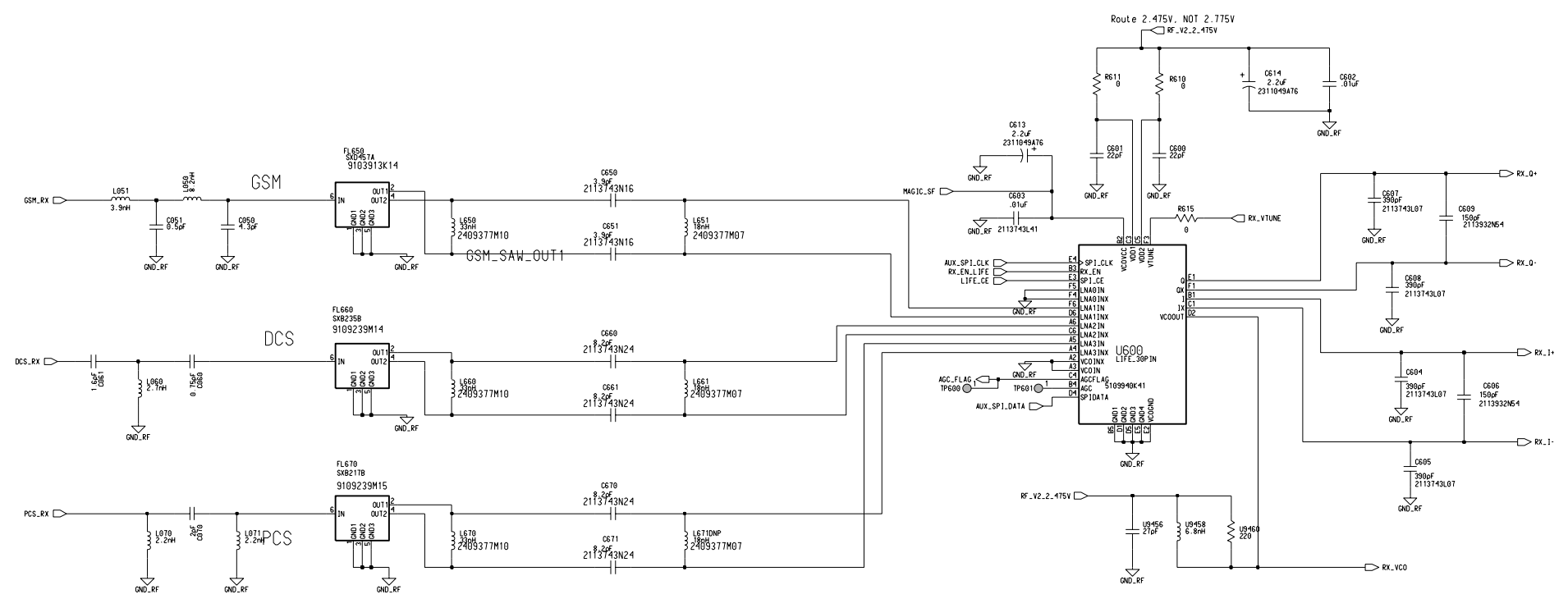
Changed by Dave Suarez	Date Changed Friday, April 20, 2001	Time 3:59:05 pm
---------------------------	--	--------------------

Band Select Circuits REF # 900-925



Engineer Dave Suarez	COMPANY NAME		
Drawn by Dave Suarez	Address City		
R&D CHK	TITLE	Size D	
DOC CTRL CHK	GSM.TOP		
MFG CTRL CHK	REV	Drawing Number	Sheet of
QA CHK			

Changed by Dave Suarez Date Changed Tuesday, May 1, 2001 Time 11:34:44 am



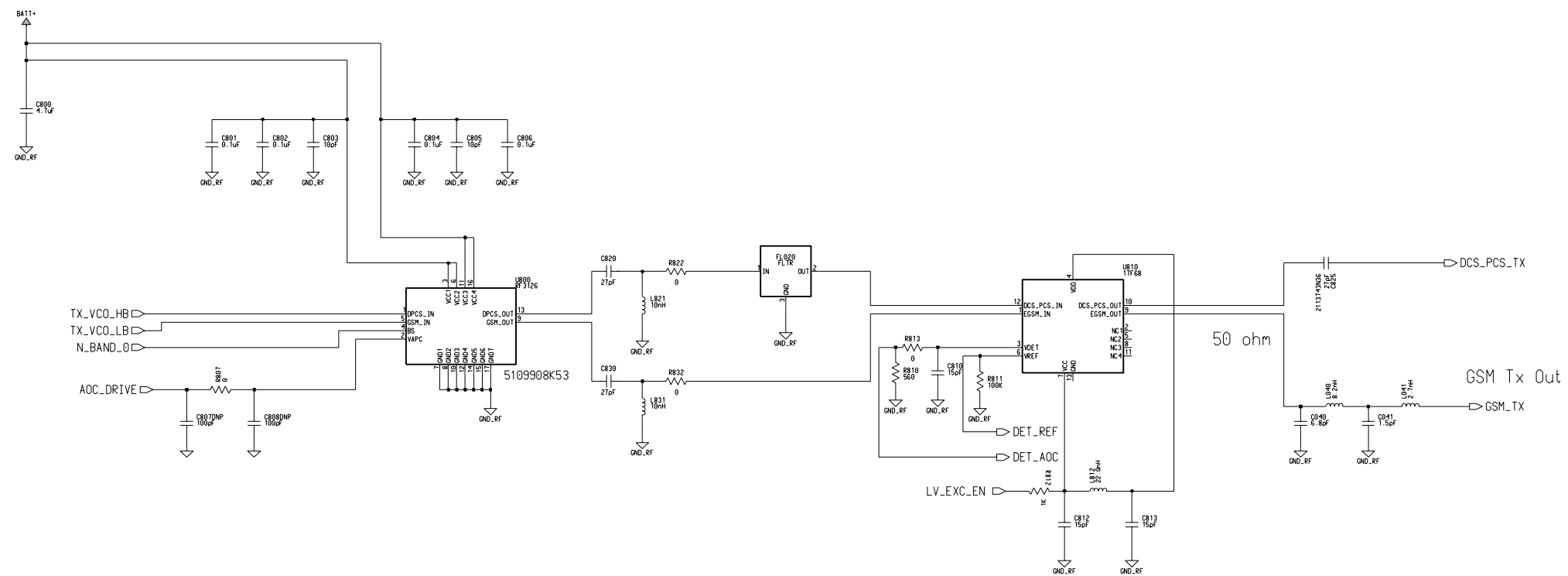
LIFE IC
REF # 600-649

RX FRONT END FILTERS REF # 650-699

Engineer Brian Elfers	COMPANY NAME		
Drawn by Brian Elfers	Address City		
R&D CHK	TITLE GSM_Rx	Size D	
DOC CTRL CHK			
MFG CTRL CHK			
QA CHK	REV	Drawing Number	Sheet of

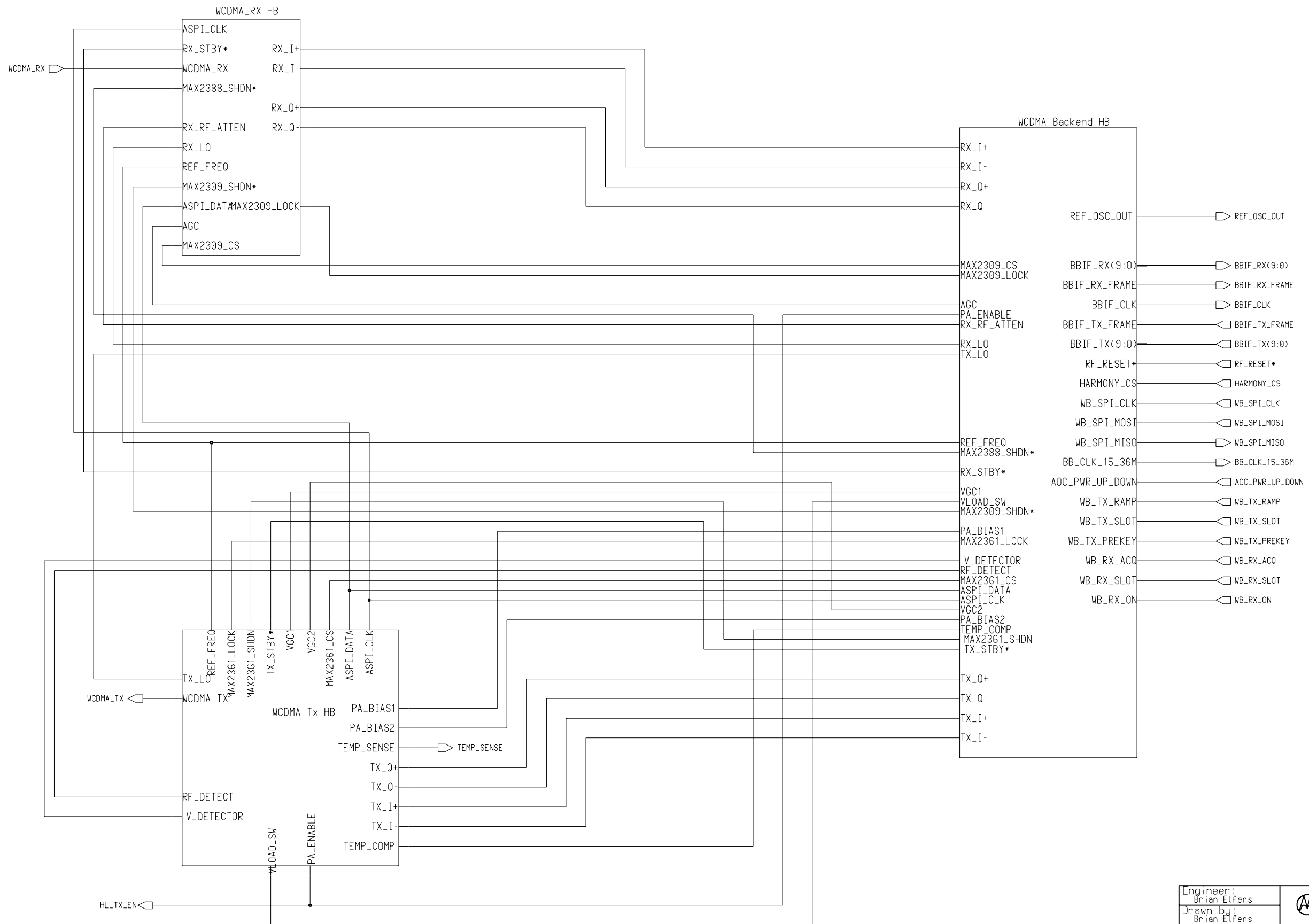
Changed by Dave Suarez	Date Changed Tuesday, May 1, 2001	Time 5:06:46 pm
---------------------------	--------------------------------------	--------------------

GSM Transmitter



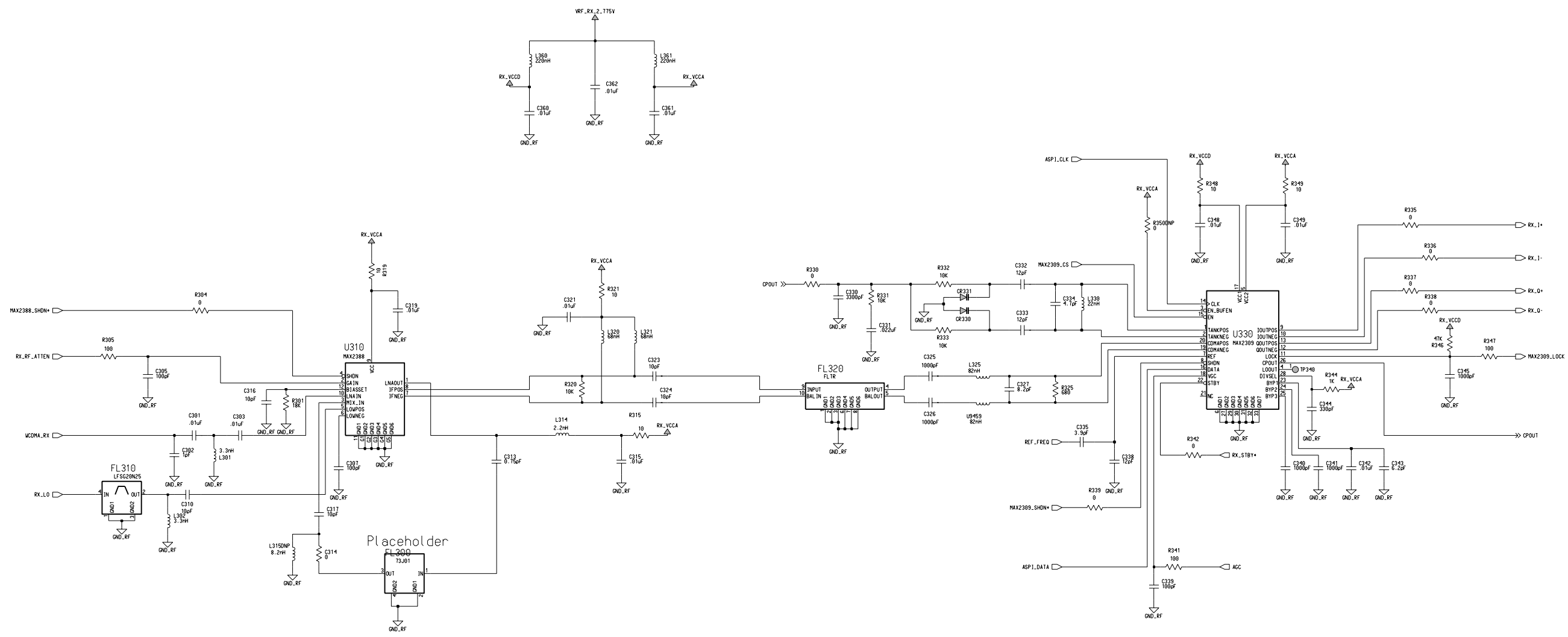
Engineer Paul Manente	COMPANY NAME Address City		
Drawn by Paul Manente			
R&D CHK	TITLE GSM_TX-D	Size D	
DOC CTRL CHK	GSM_Transmitter		
MFG CTRL CHK			
QA CHK	REV	Drawing Number	Sheet of

Changed by: Dave Suarez
 Date Changed: Tuesday, May 1, 2001
 Time: 12:33:12 pm

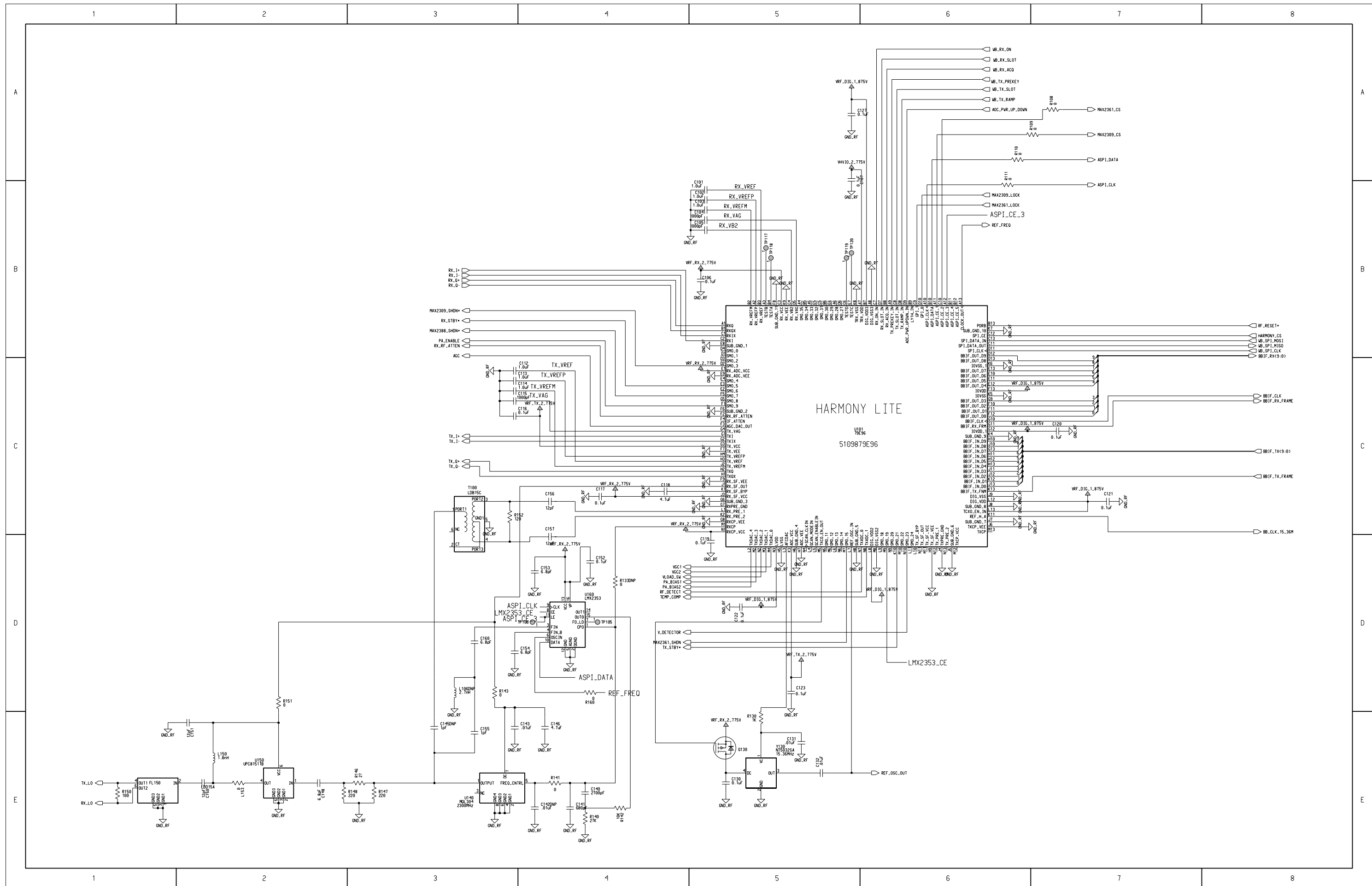


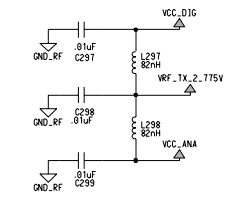
Engineer: Brian Elfers			
Drawn by: Brian Elfers			
R&D CHK:	TITLE: Talon_rev_0	Size: 11x17	
DOC CTRL CHK:	Part Size Study		
MFG CTRL CHK:	REV:	Drawing Number:	Page:
QA CHK:			OF:
Changed by: Dave Suarez	Date: Friday, April 20, 2001	Time: 4:07:28 pm	

MOTOROLA INTERNAL USE ONLY

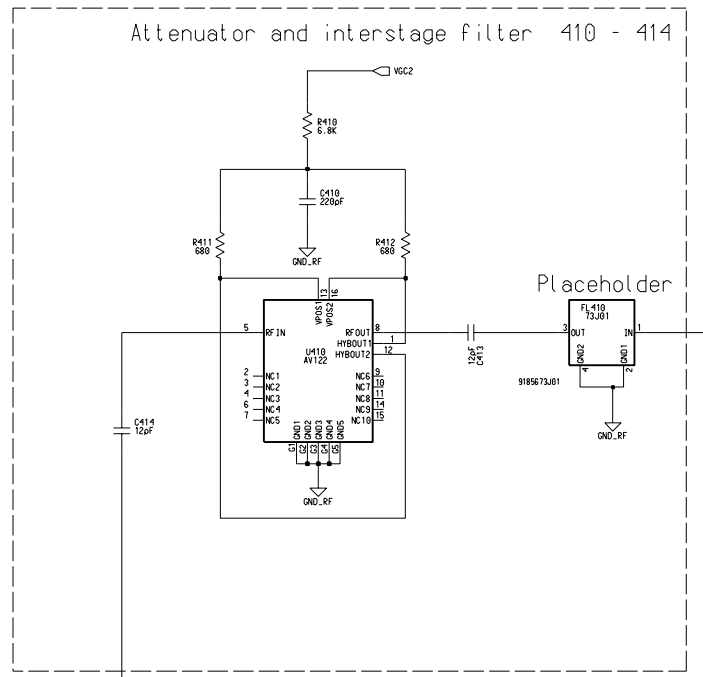


Engineer:	Randy Kressner	
Drawn by:	Randy Kressner	
RAD CHK:		TITLE: Morris
DOC CTRL CHK:		WCDMA_Rx
MFG CTRL CHK:		REV: Drawing Number: Page: UF:
QA CHK:		Date: Thursday, March 22, 2001
Changed by:	Randy Kressner	Time: 3:10:36 pm

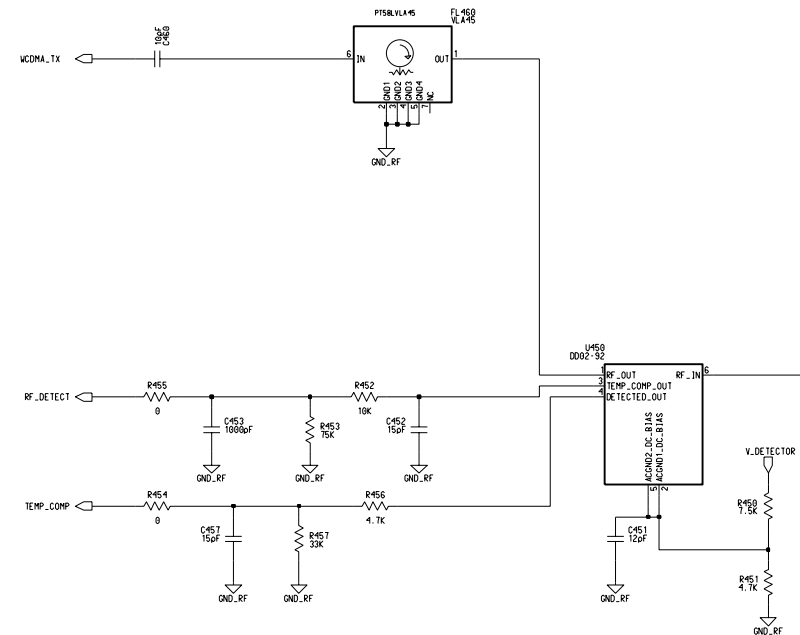
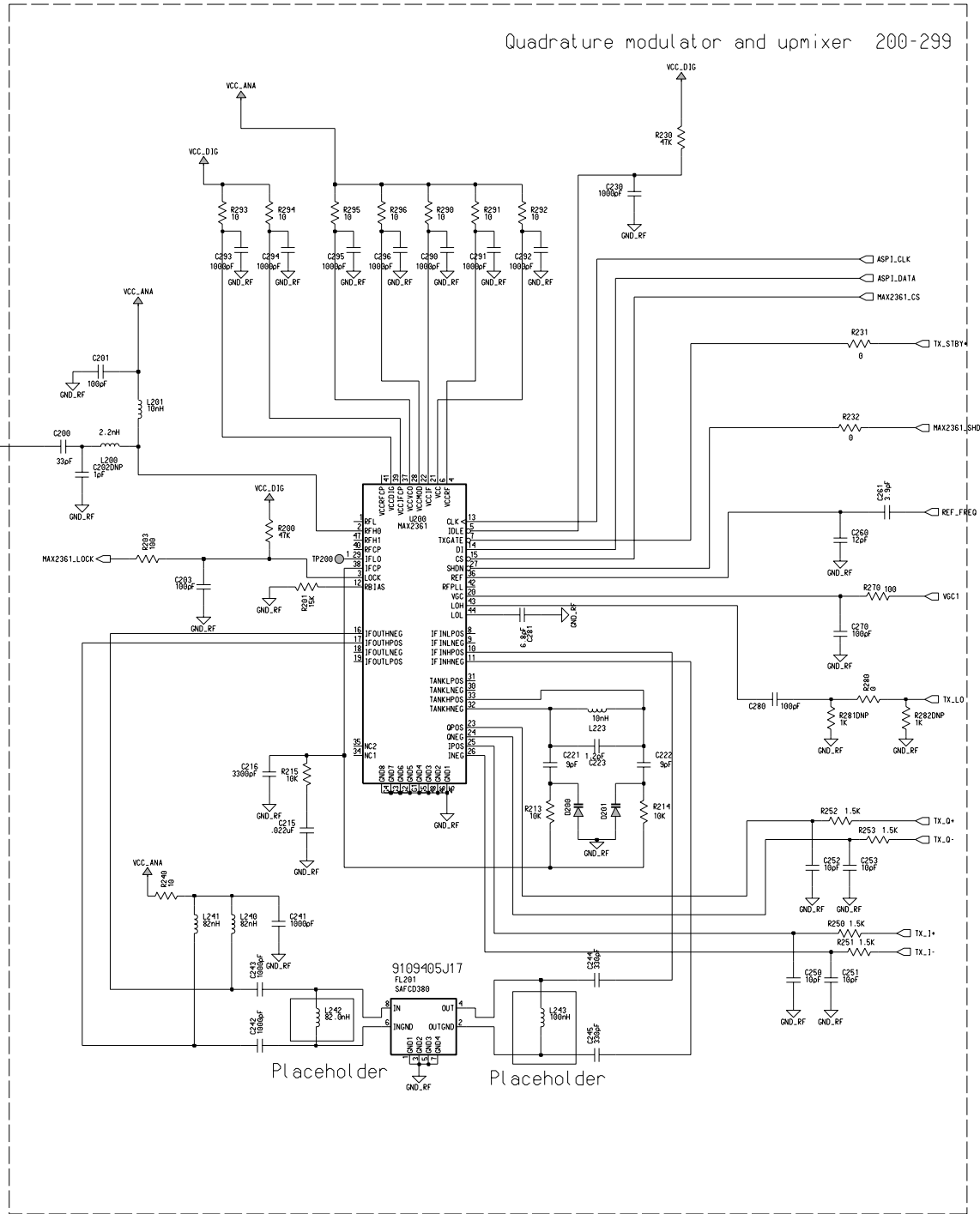




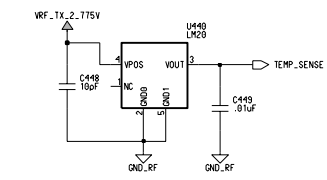
Un-used ports



Placeholder



Power Amplifier 420 - 449



Engineer John Mura	COMPANY NAME Address City		
Drawn by John Mura	TITLE WCDMA_Tx	Size D	
R&D CHK			
DOC CTRL CHK			
MFG CTRL CHK			
QA CHK	REV	Drawing Number	Sheet 1 of 1

Changed by Dave Suarez Date Changed Thursday, March 29, 2001 Time 4:39:58 pm