

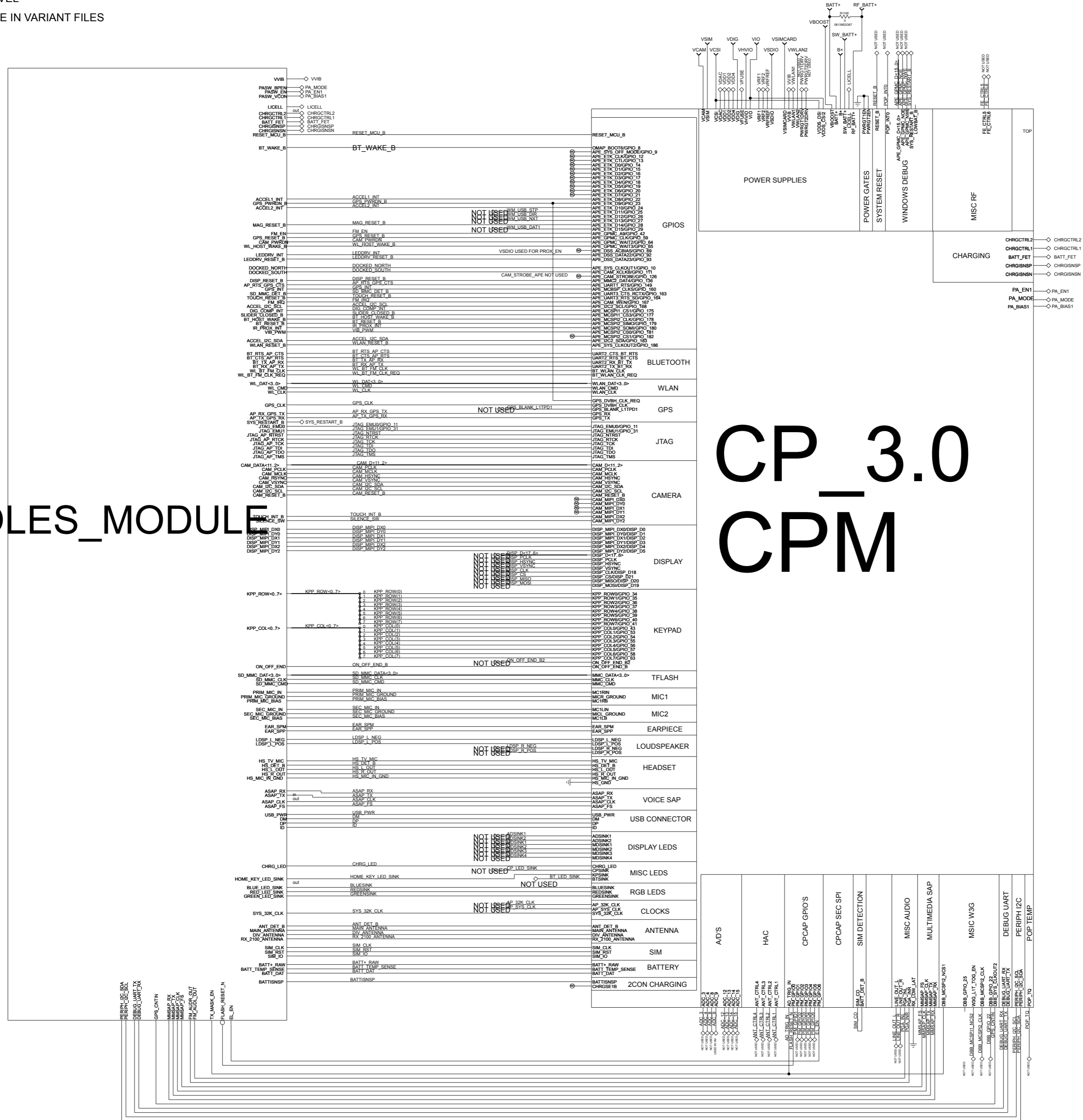
NOTE:

UMTS AND CDMA VARIANTS HAVE BEEN CREATED TO MANAGE BUILDS
 NOTE THAT DNP PROP IS NO LONGER ADDED AT THIS LEVEL
 DNI AND PART NUMBER CHANGES TO CDMA VERSION ARE IN VARIANT FILES
 LOCATED IN MFG DIRECTORY UNDER DESIGN

SHOLES_MODULE

CP_3.0 CPM

Milestone_84014321001_A

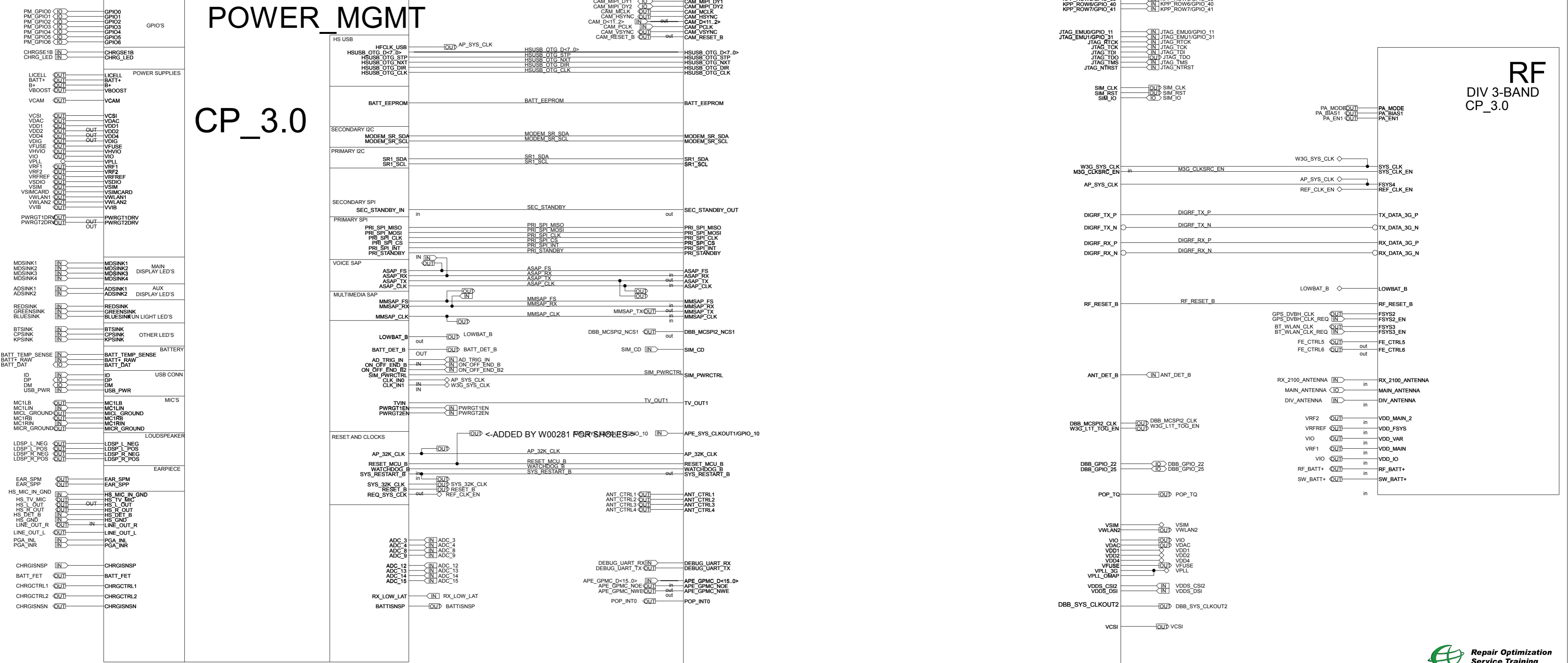


CP_3.0 PROCESSOR

POWER_MGMT

CP_3.0

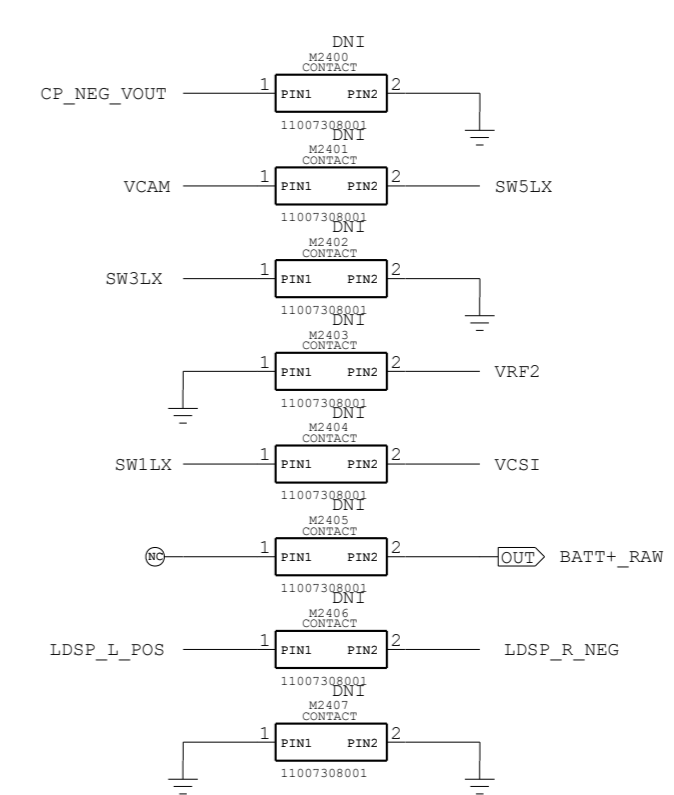
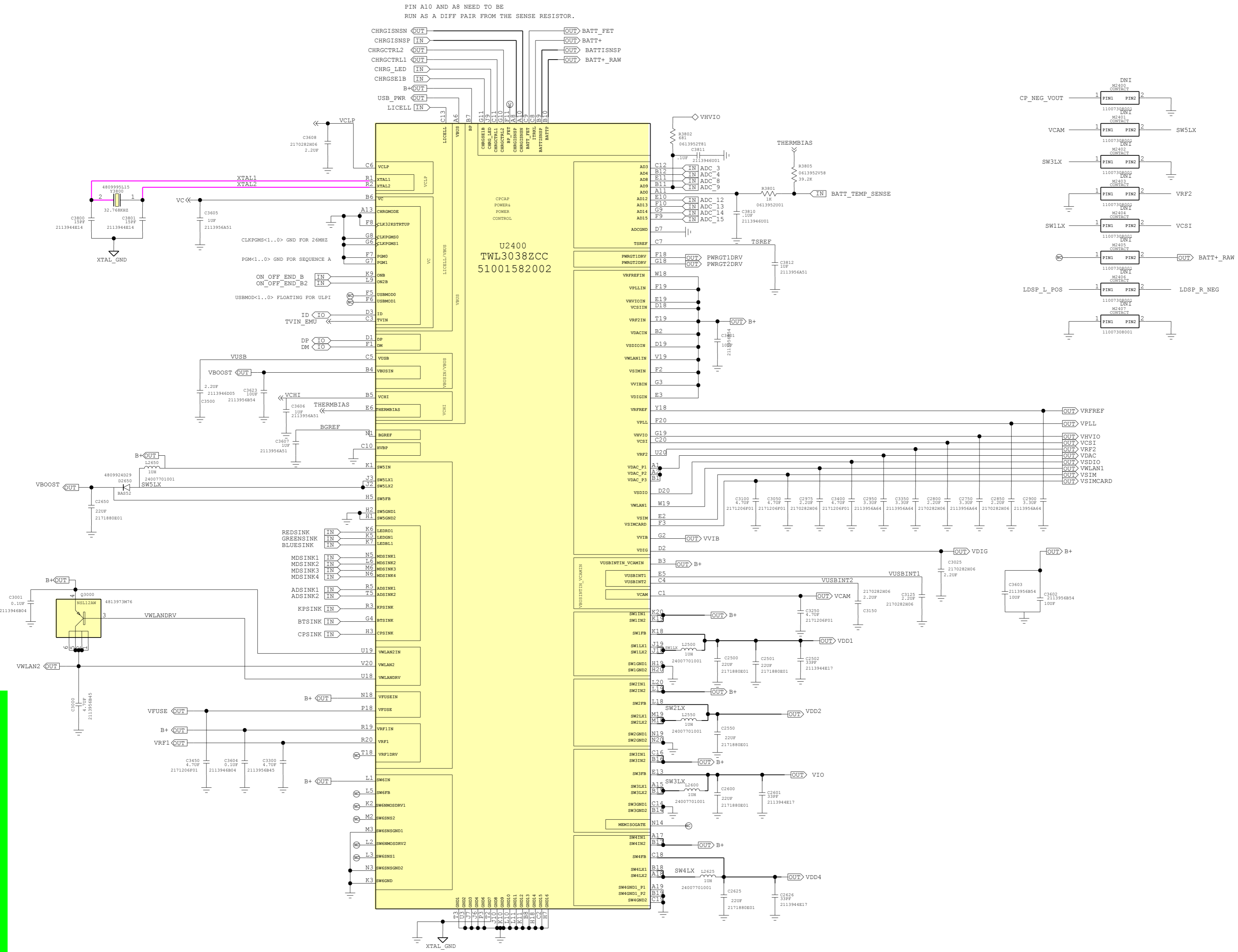
RF DIV 3-BAND CP_3.0



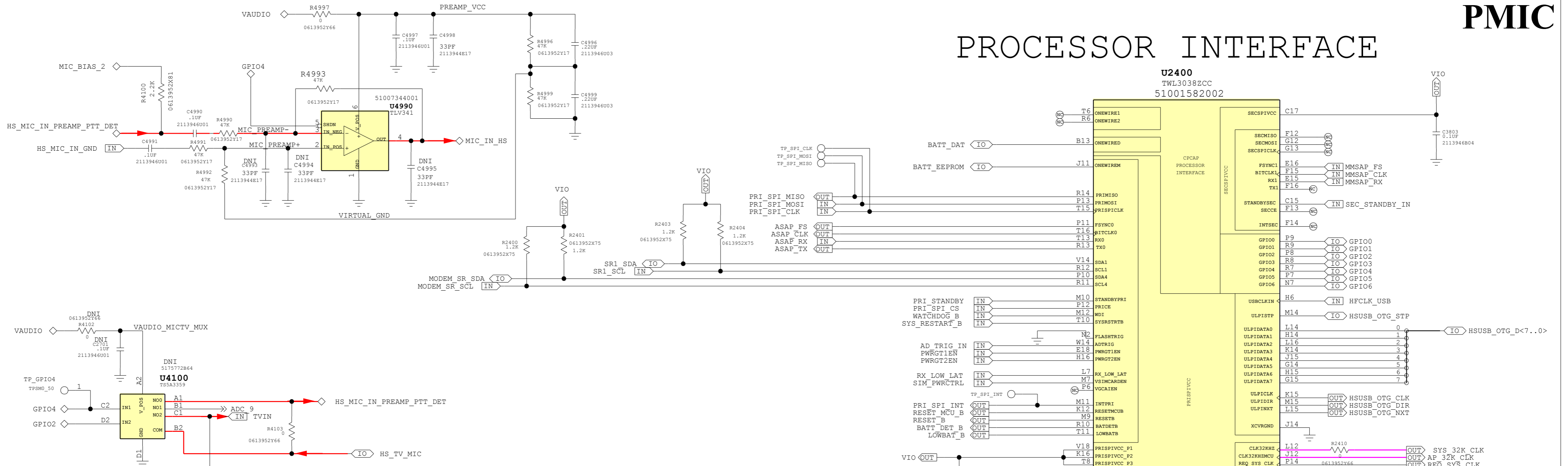
CPCAP POWER & POWER CONTROL & ADC

PMIC

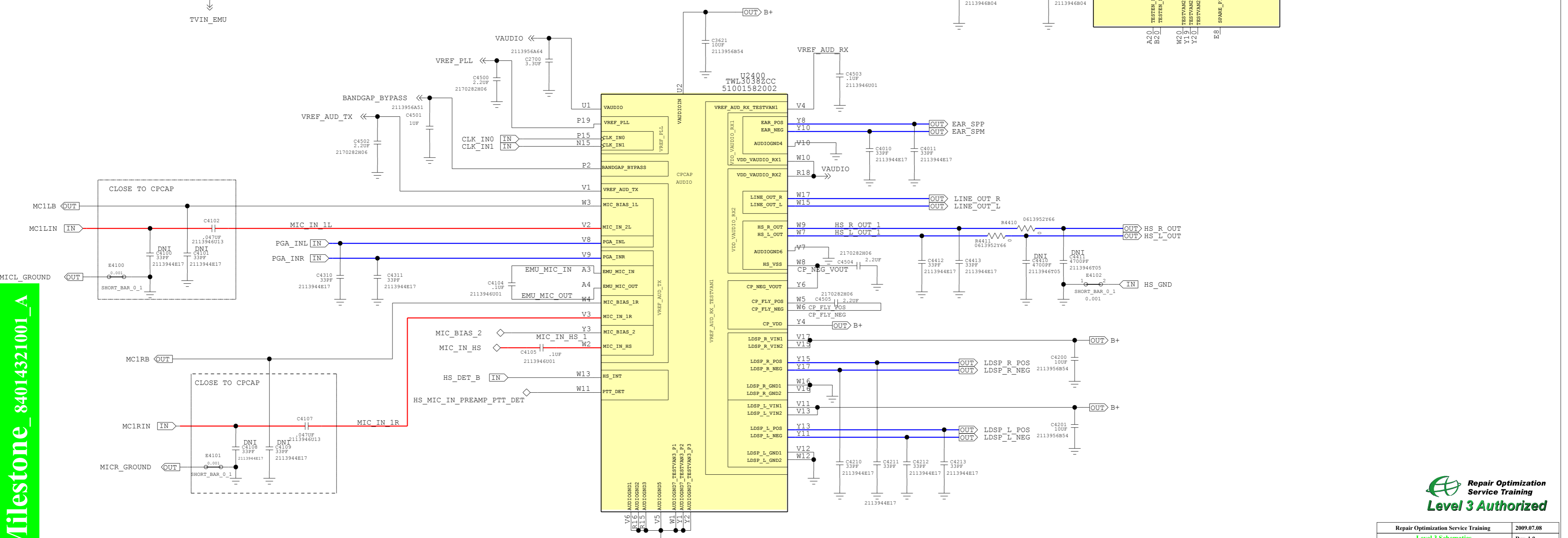
Milestone_84014321001_A



PROCESSOR INTERFACE



AUDIO



Milestone_84014321001_A

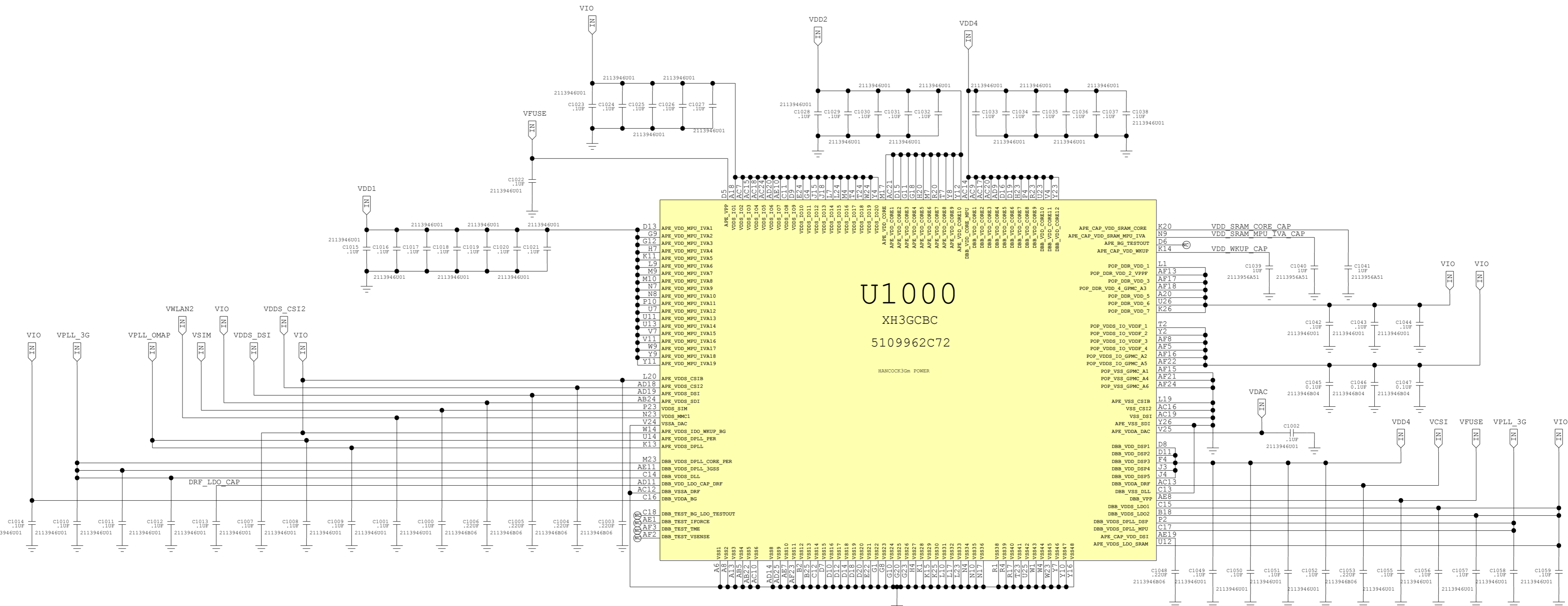
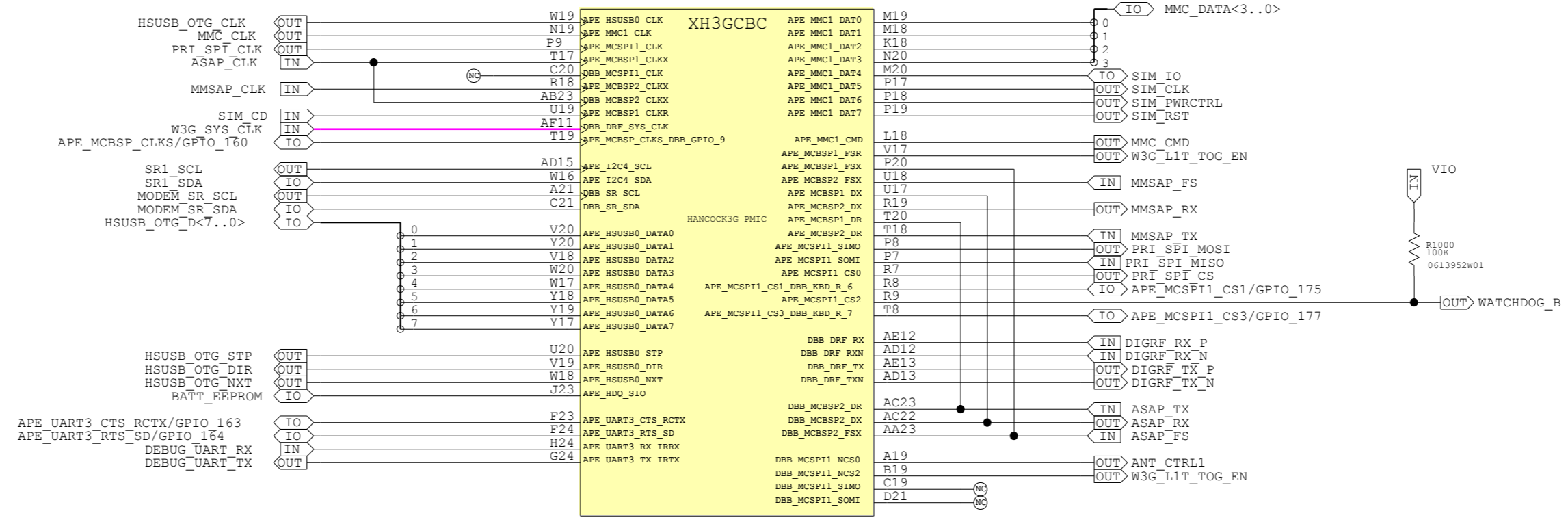


Repair Optimization Service Training	2009.07.08
Level 3 Schematics	Rev. 1.0
Milestone	84014321001_A
	Page 4 of 16

PMIC Interface

U1000

5109962C72



Milestone_84014321001_A



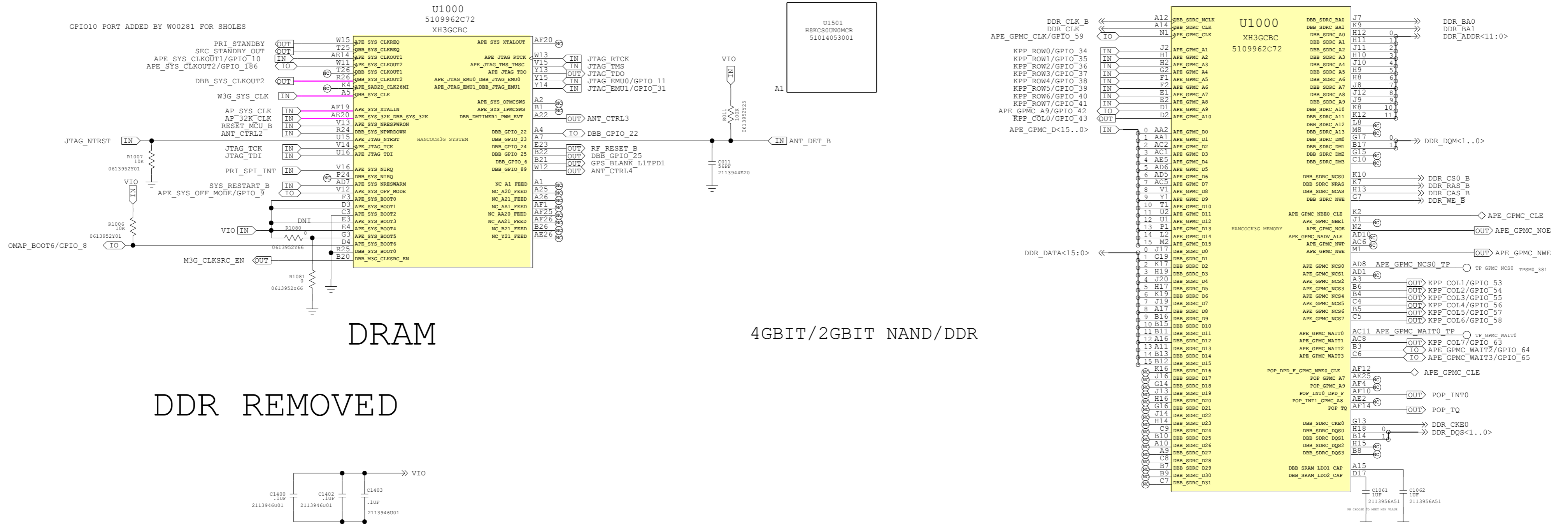
Repair Optimization Service Training	2009.07.08
Level 3 Schematics	Rev. 1.0
Milestone	84014321001_A
	Page 5 of 16

SYSTEM

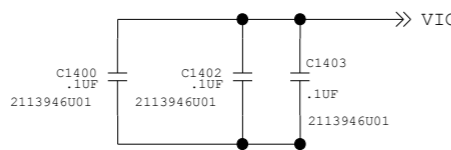
POP MEMORY

H3G MEMORY

CPU

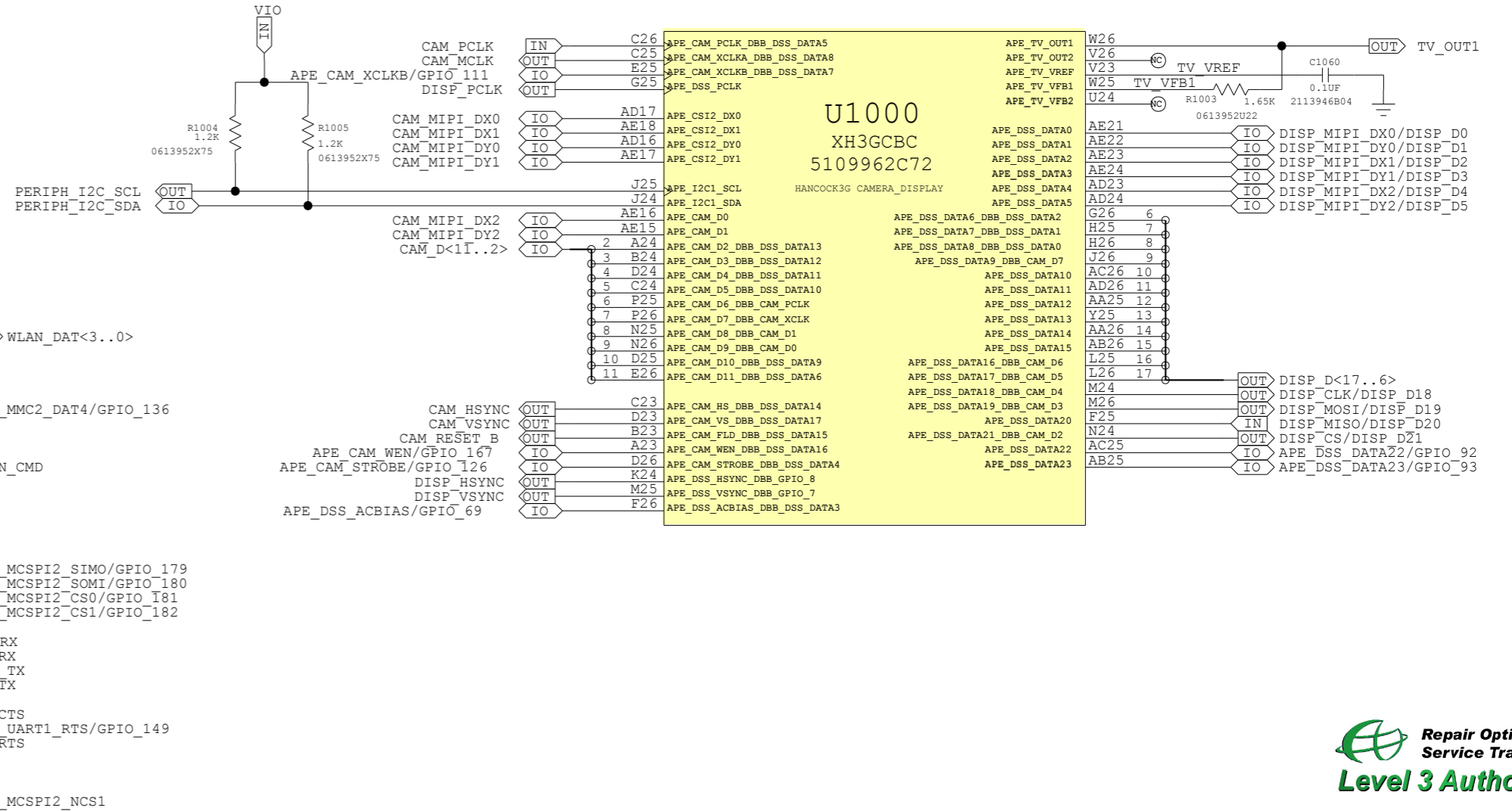


DRAM DDR REMOVED



FEATURE

CAMERA_DISPLAY

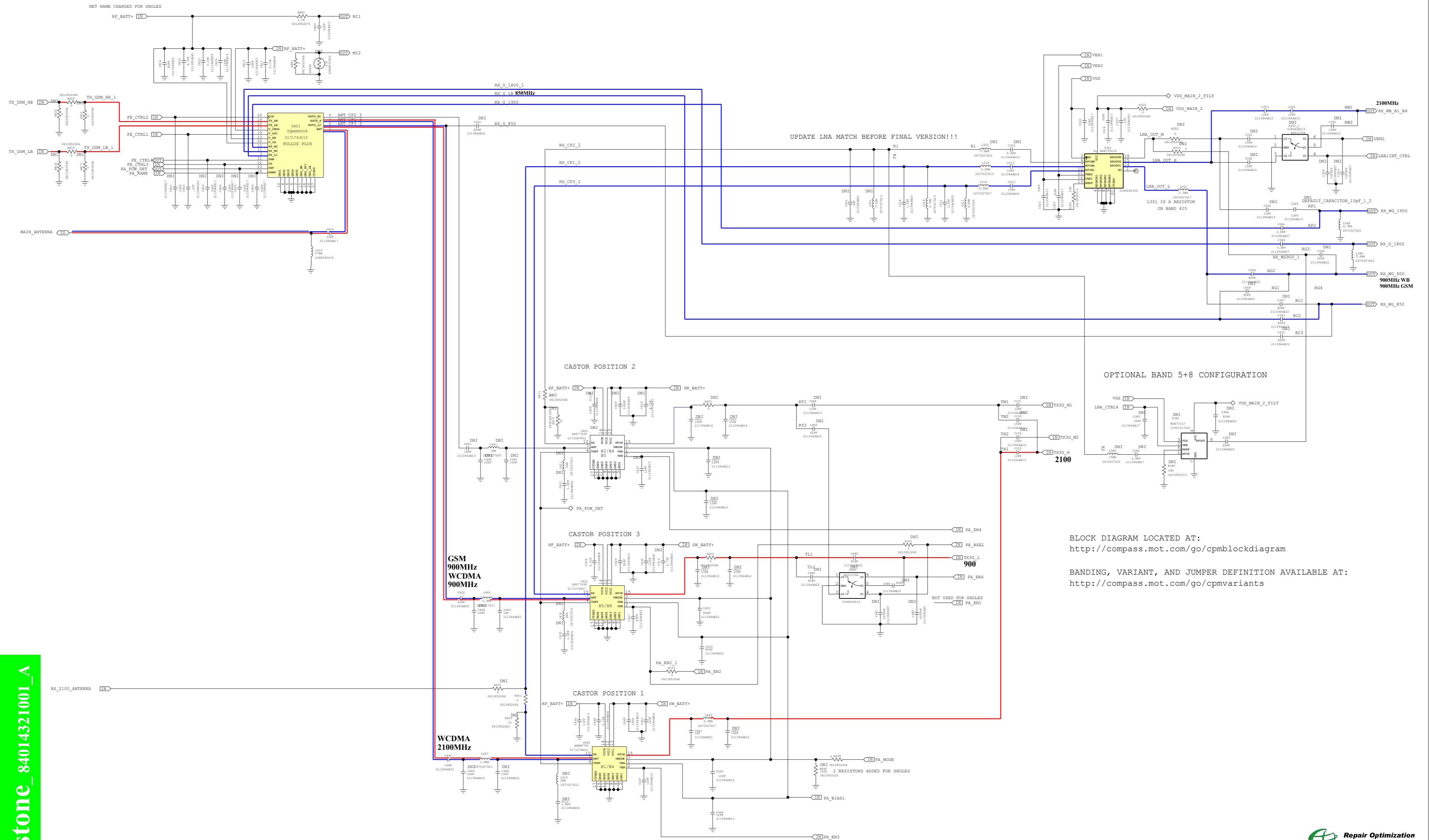


Milestone_84014321001_A



Repair Optimization Service Training	2009.07.08
Level 3 Schematics	Rev. 1.0
Milestone	84014321001_A
	Page 6 of 16

UMTS Band 1 & 8 version



BLOCK DIAGRAM LOCATED AT:
<http://compass.mot.com/go/cpmblockdiagram>

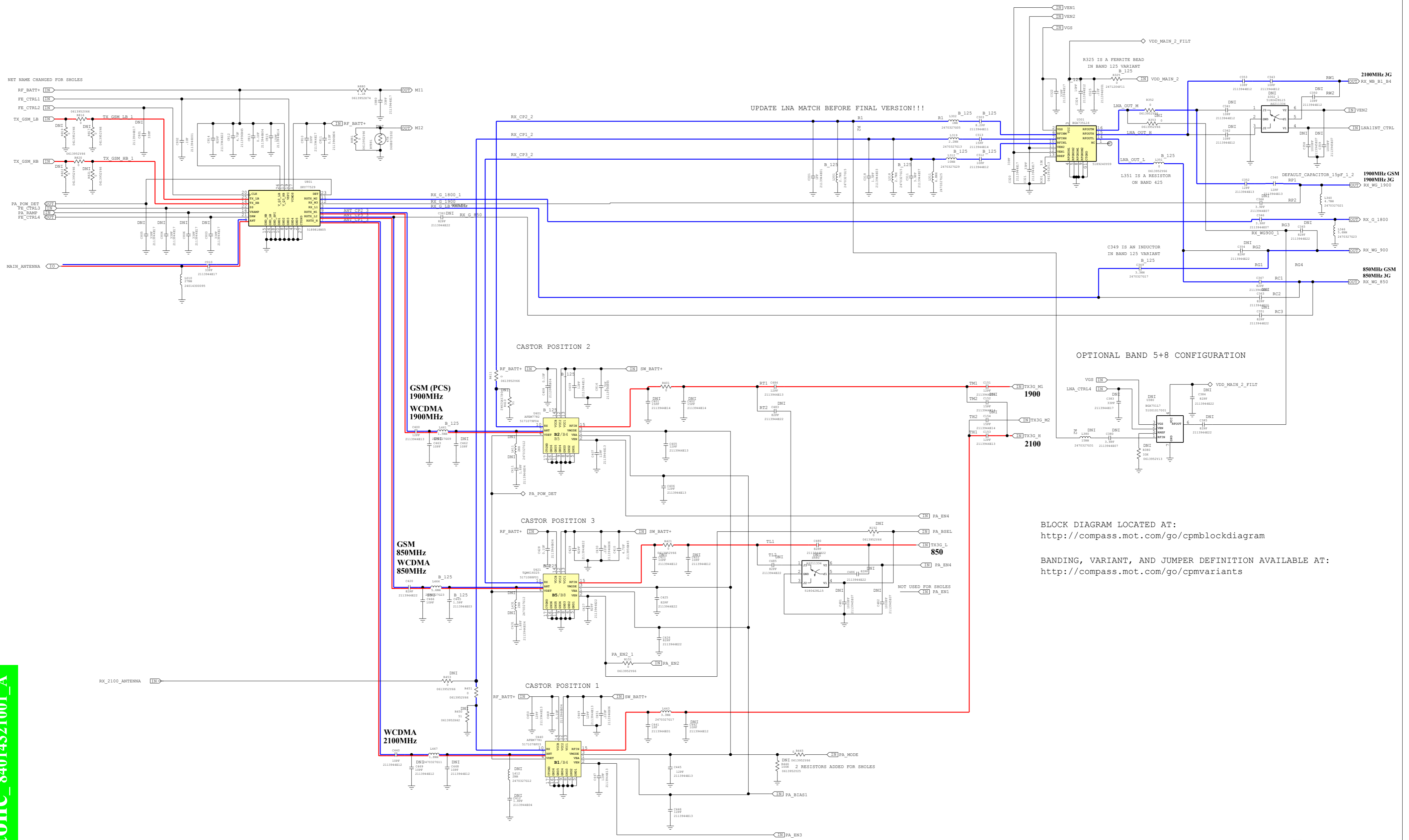
BANDING, VARIANT, AND JUMPER DEFINITION AVAILABLE AT:
<http://compass.mot.com/go/cpmvariants>

Milestone_84014321001_A



Repair Optimization Service Training	2009.07.08
Level 3 Schematics	Rev. 1.0
Milestone	84014321001_A
	Page 8 of 16

UMTS Band 1, 2 & 5 version



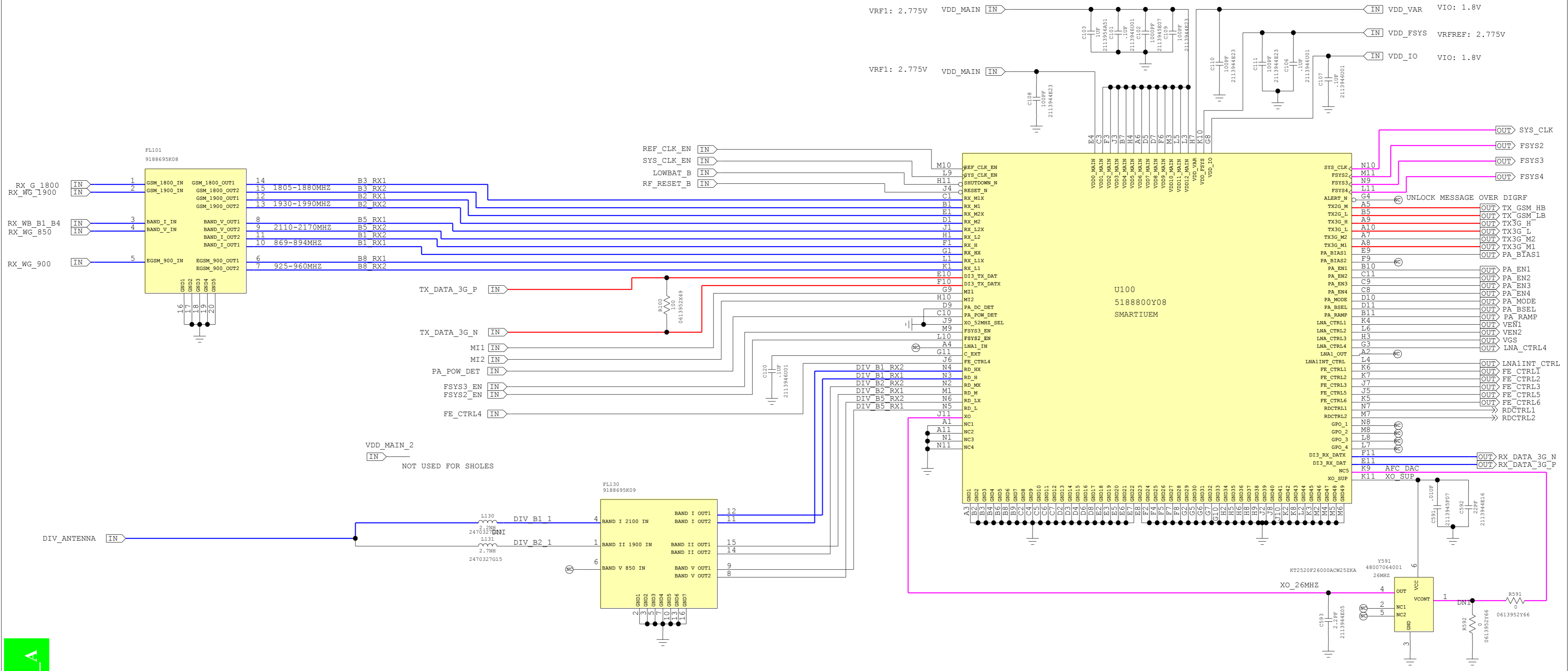
BLOCK DIAGRAM LOCATED AT:
<http://compass.mot.com/go/cpmblockdiagram>

BANDING, VARIANT, AND JUMPER DEFINITION AVAILABLE AT:
<http://compass.mot.com/go/cpmvariants>

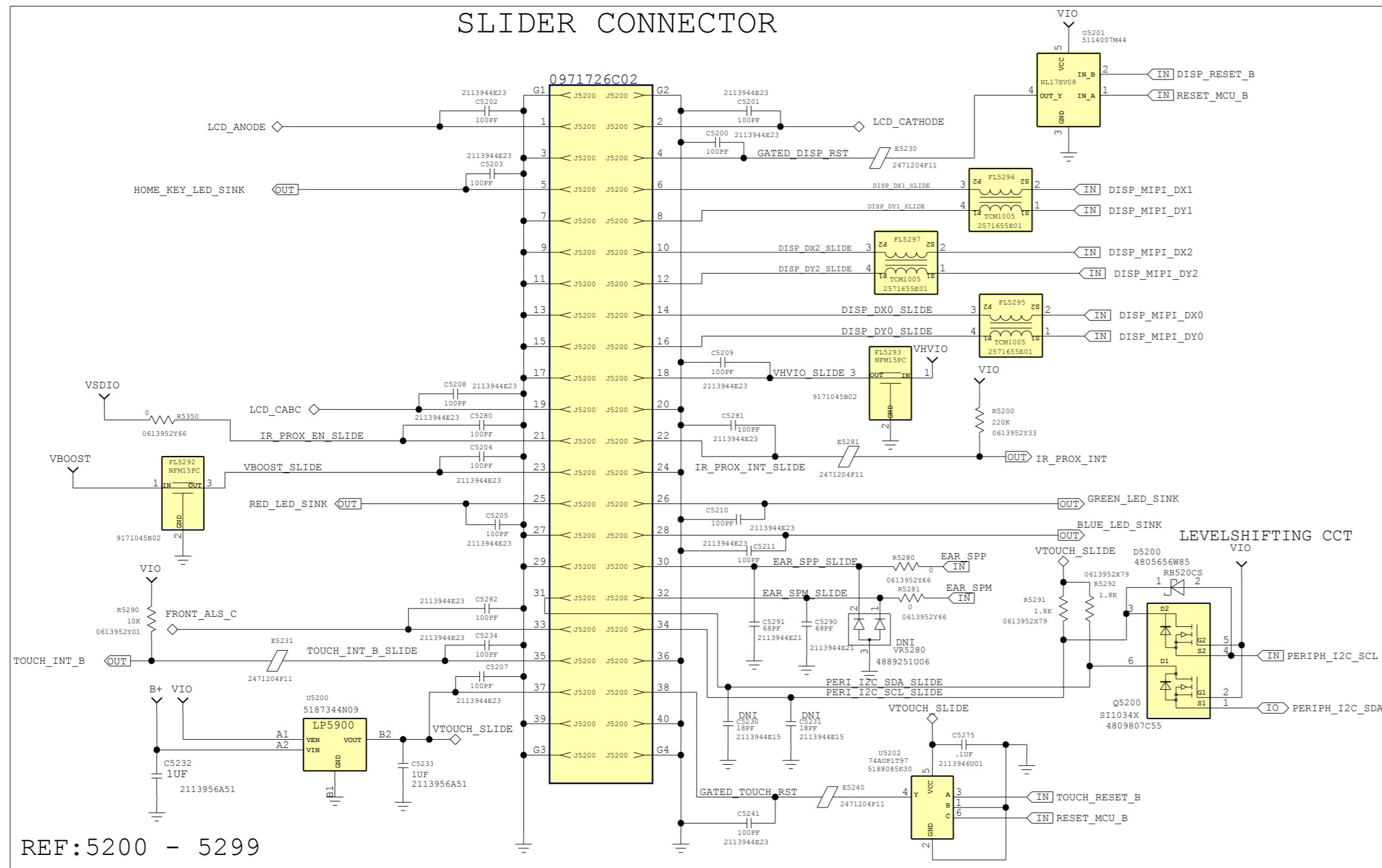
Milestone_84014321001_A



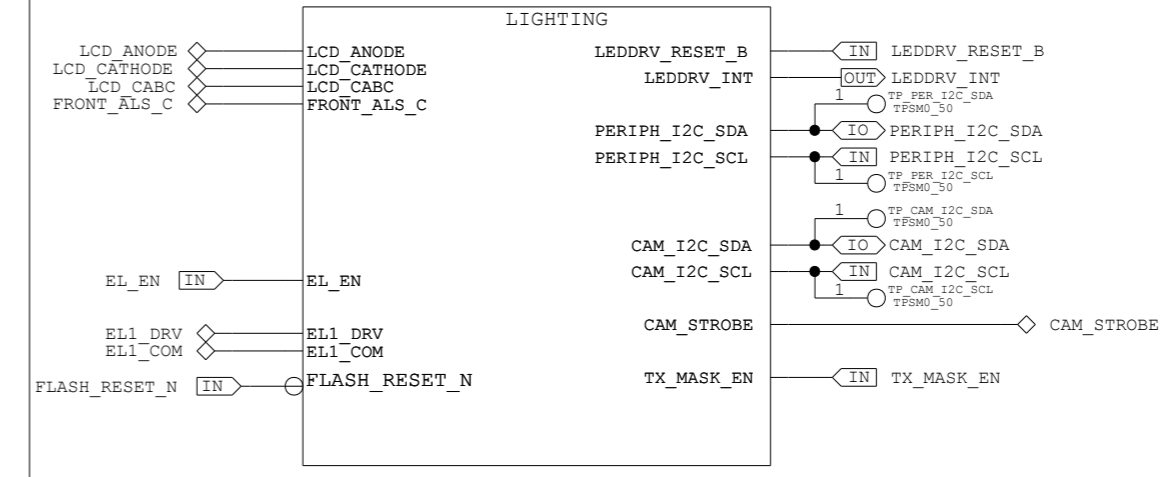
Repair Optimization Service Training	2009.07.08
Level 3 Schematics	Rev. 1.0
Milestone	84014321001_A
	Page 9 of 16



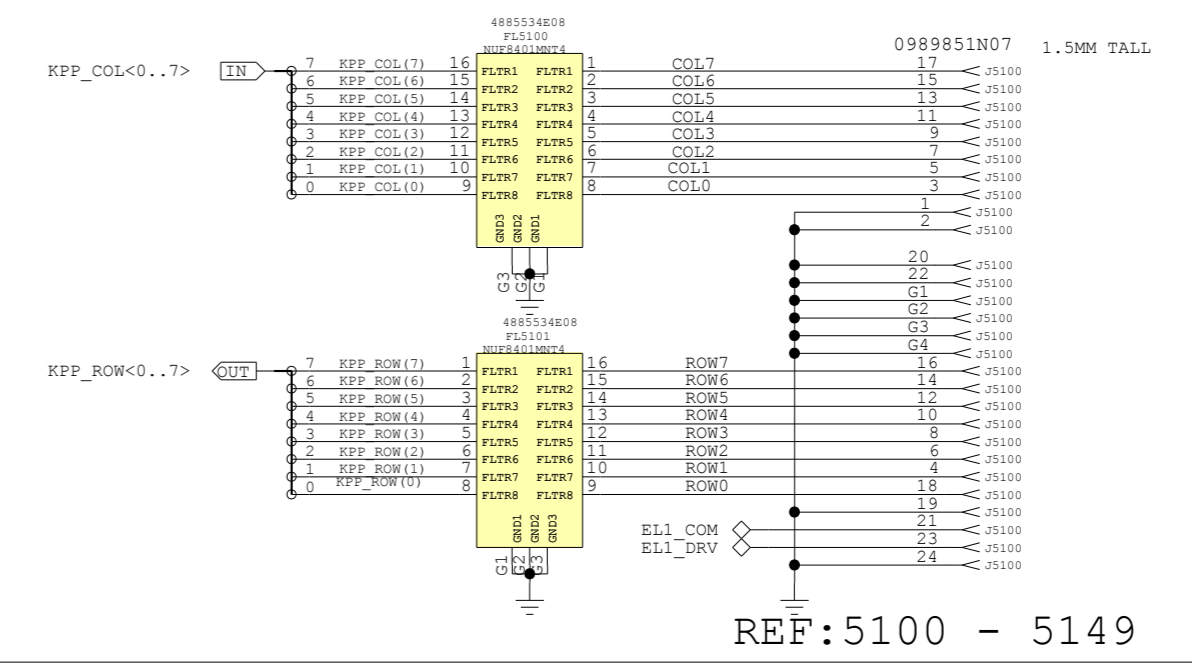
SLIDER CONNECTOR



REF:5200 - 5299

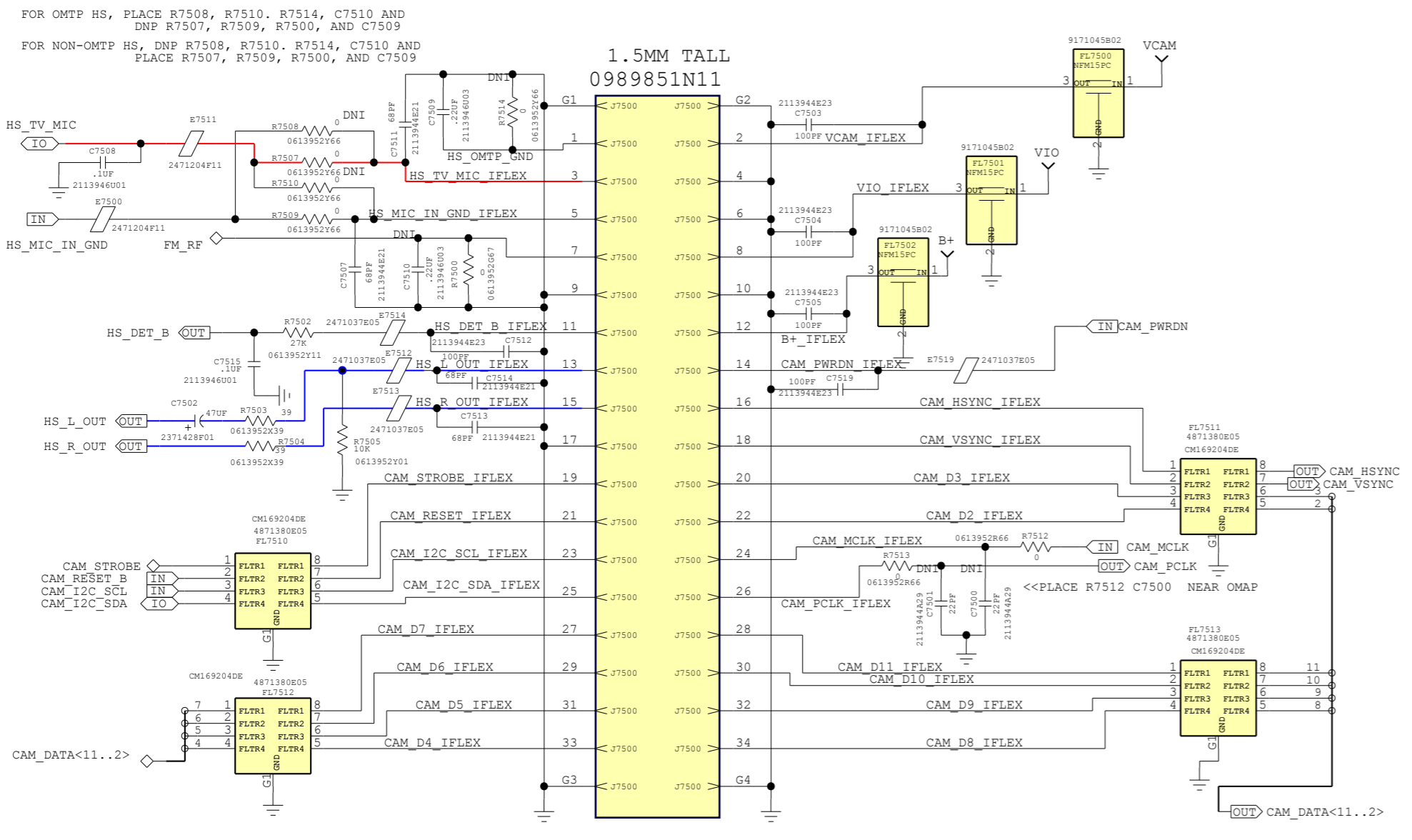


QWERTY KEYPAD



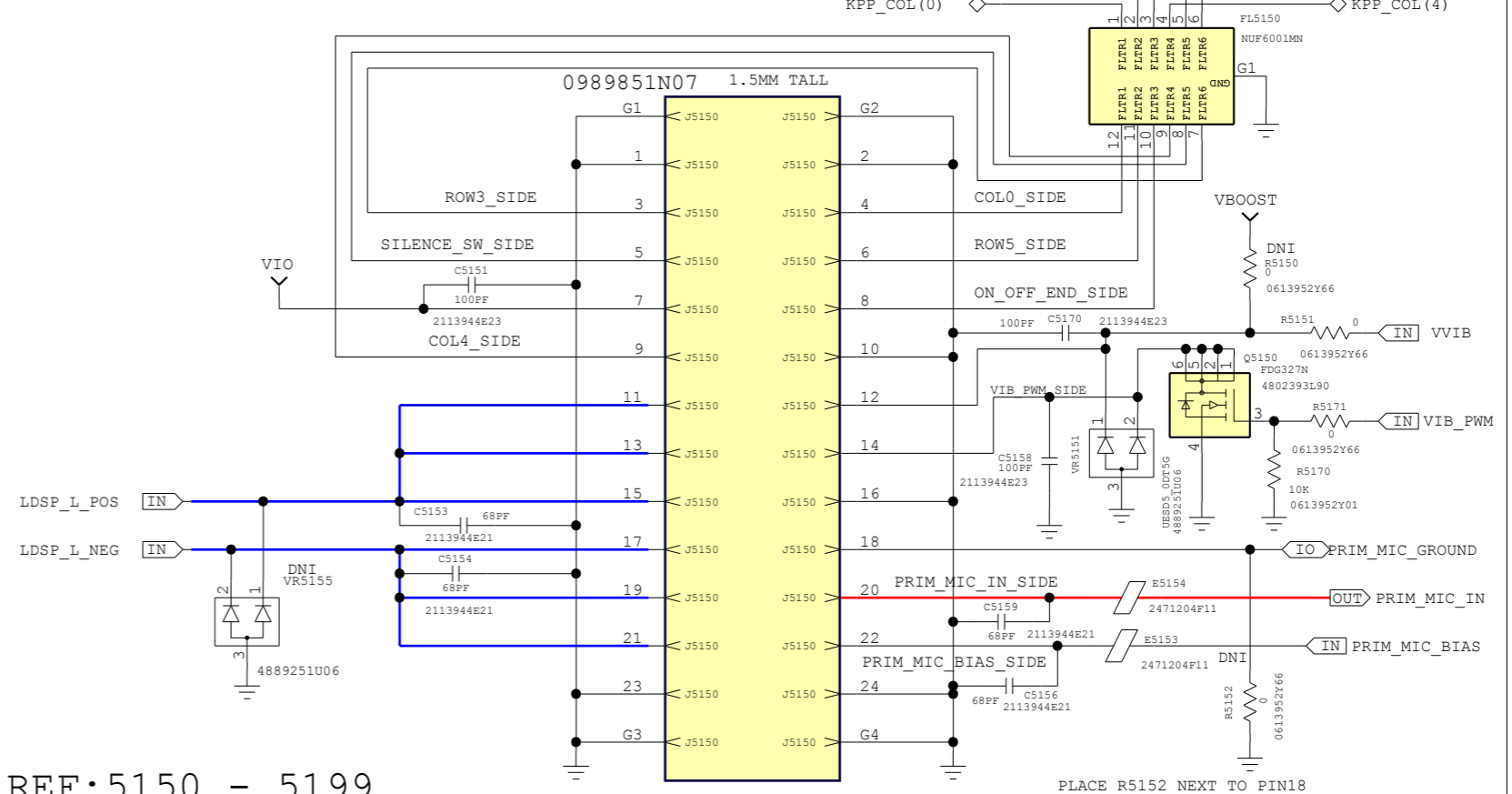
REF:5100 - 5149

CAMERA/HSJ



REF:7500 - 7519

SIDEKEYS/AUDIO



REF:5150 - 5199

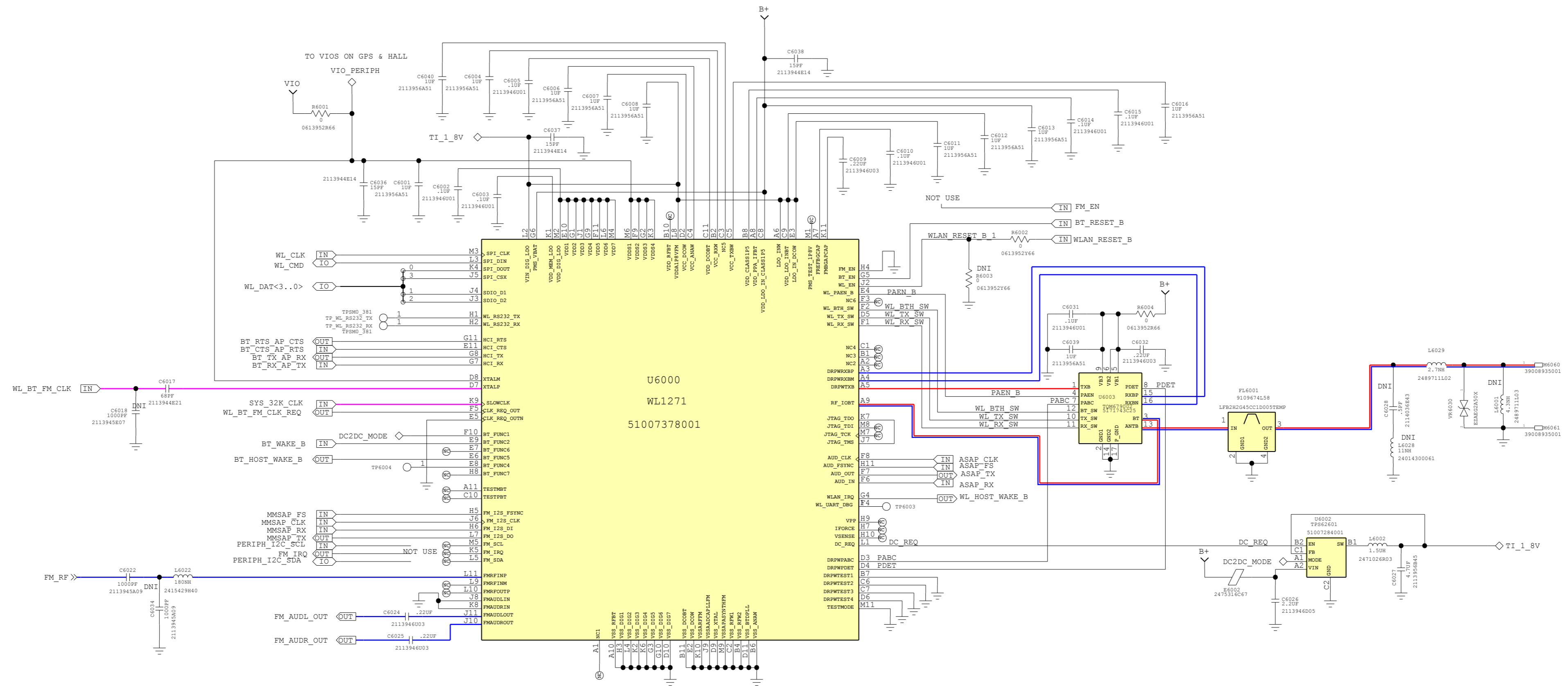
Milestone_84014321001_A



Repair Optimization Service Training	2009.07.08
Level 3 Schematic	Rev. 1.0
Milestone	84014321001_A
	Page 11 of 16

WIFI/BT/FM, TI

REF:6000 - 6099



Milestone_84014321001_A

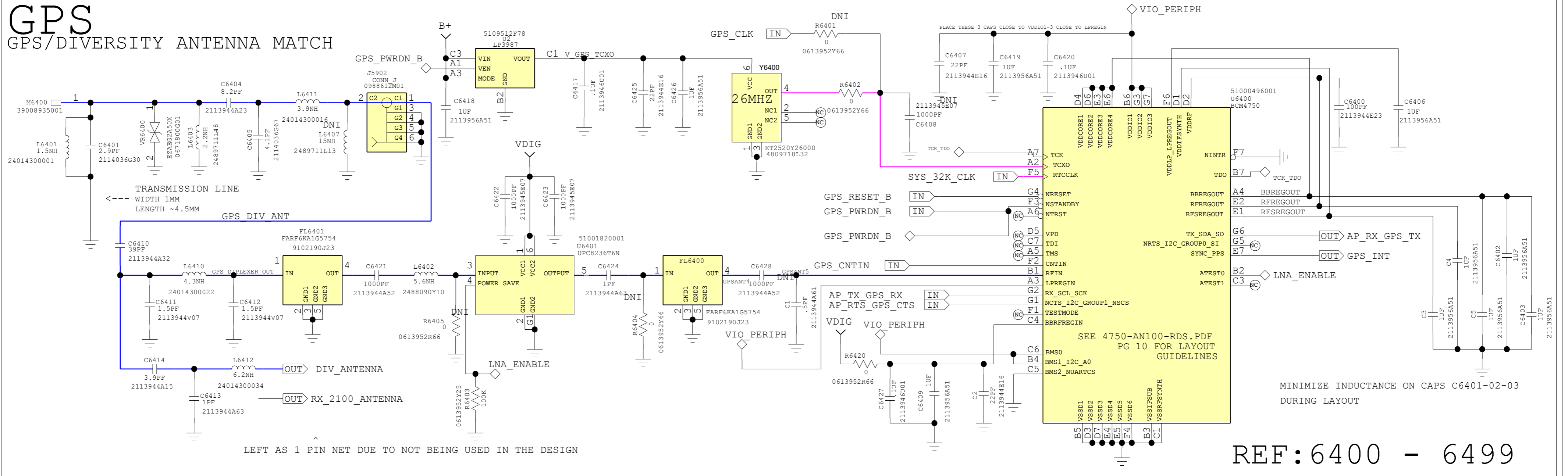


Repair Optimization Service Training	2009.07.08
Level 3 Schematics	Rev. 1.0
Milestone	84014321001_A
	Page 12 of 16

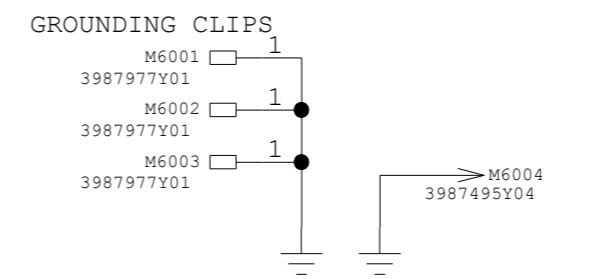
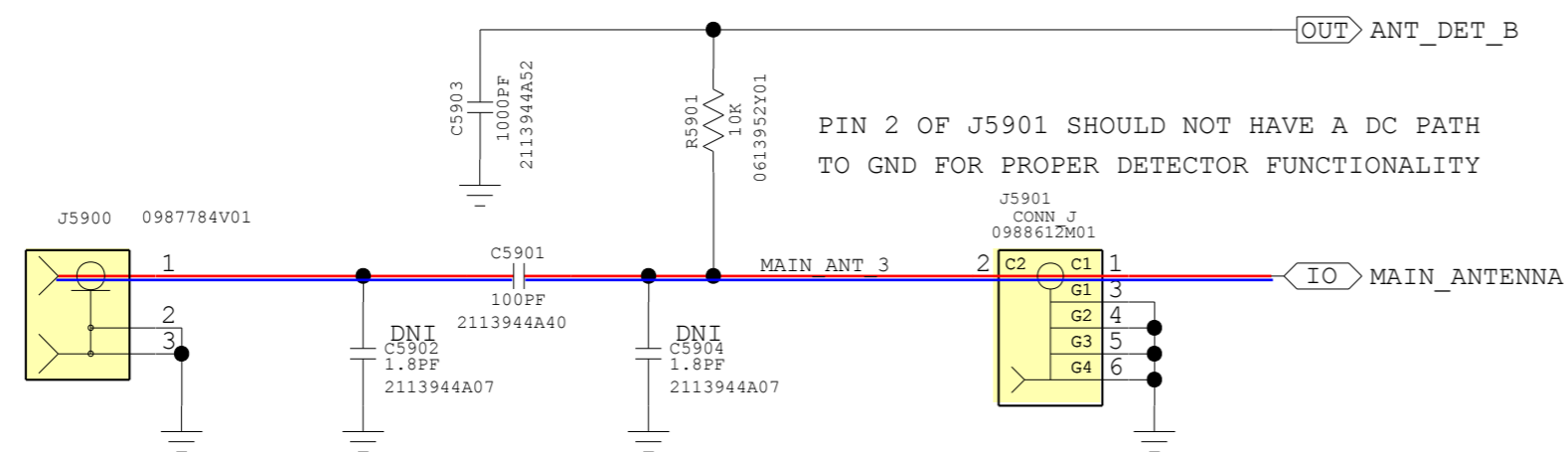
NON-VM RF - MAIN BOARD

GPS

GPS/DIVERSITY ANTENNA MATCH



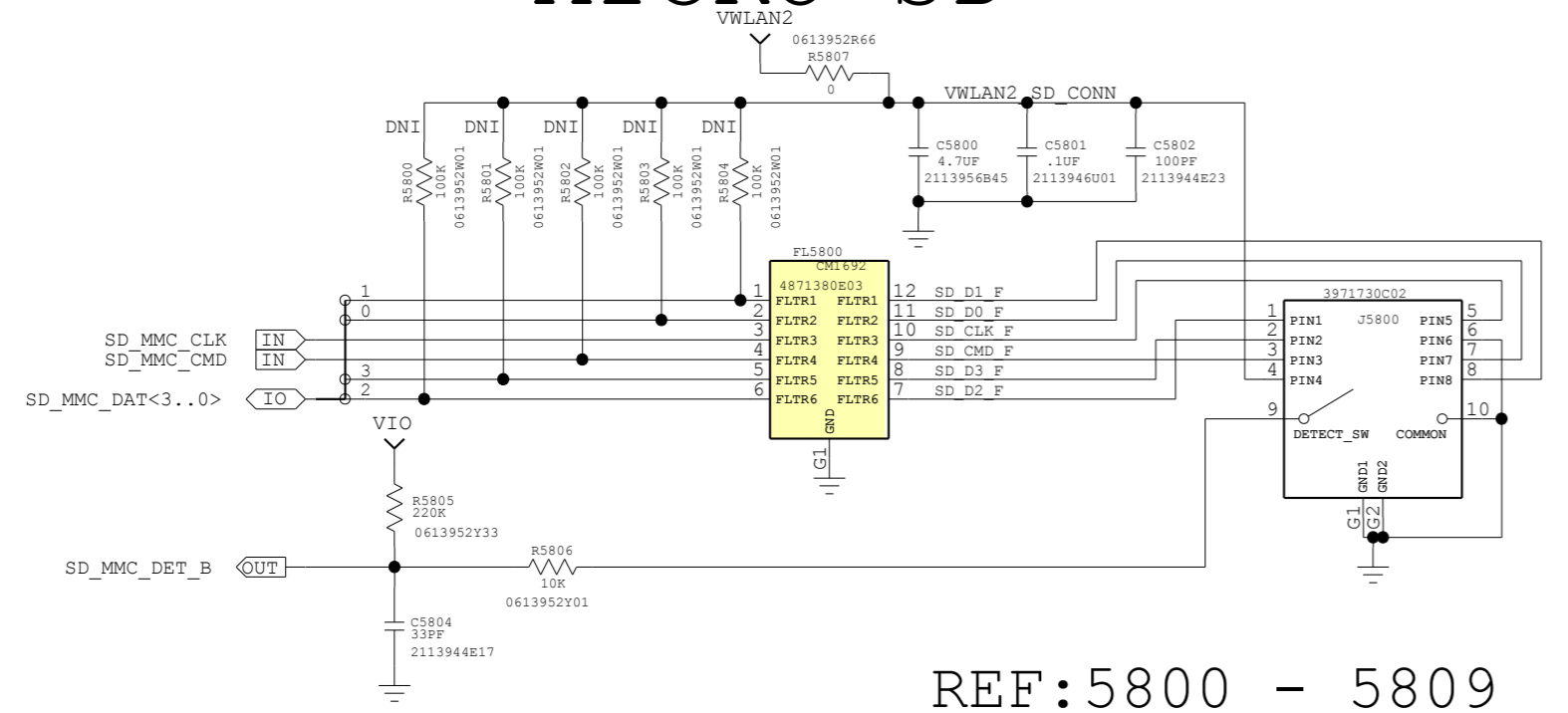
MAIN ANTENNA MATCH



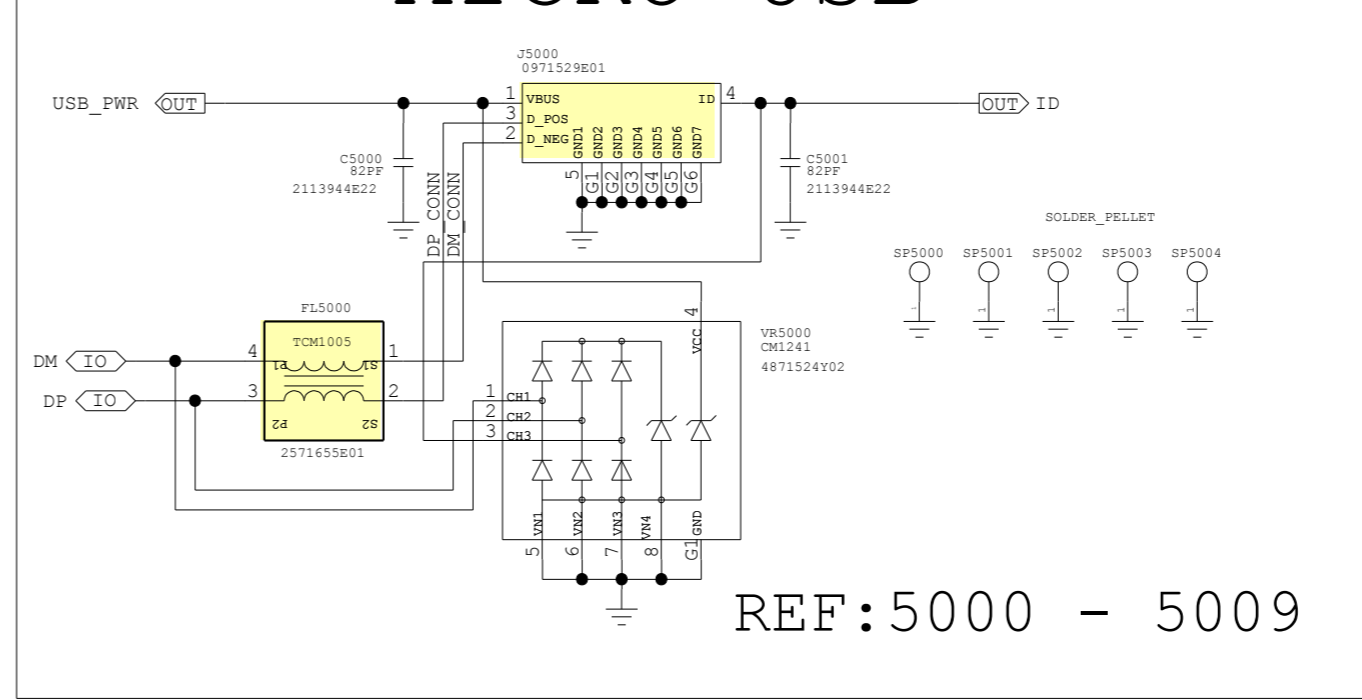
Milestone_84014321001_A

EXTERNAL CONNECTORS / CHARGING - MAIN BOARD

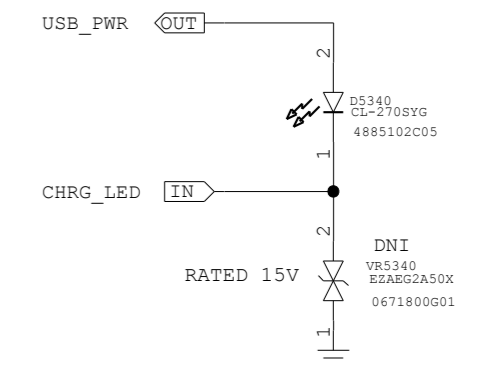
MICRO SD



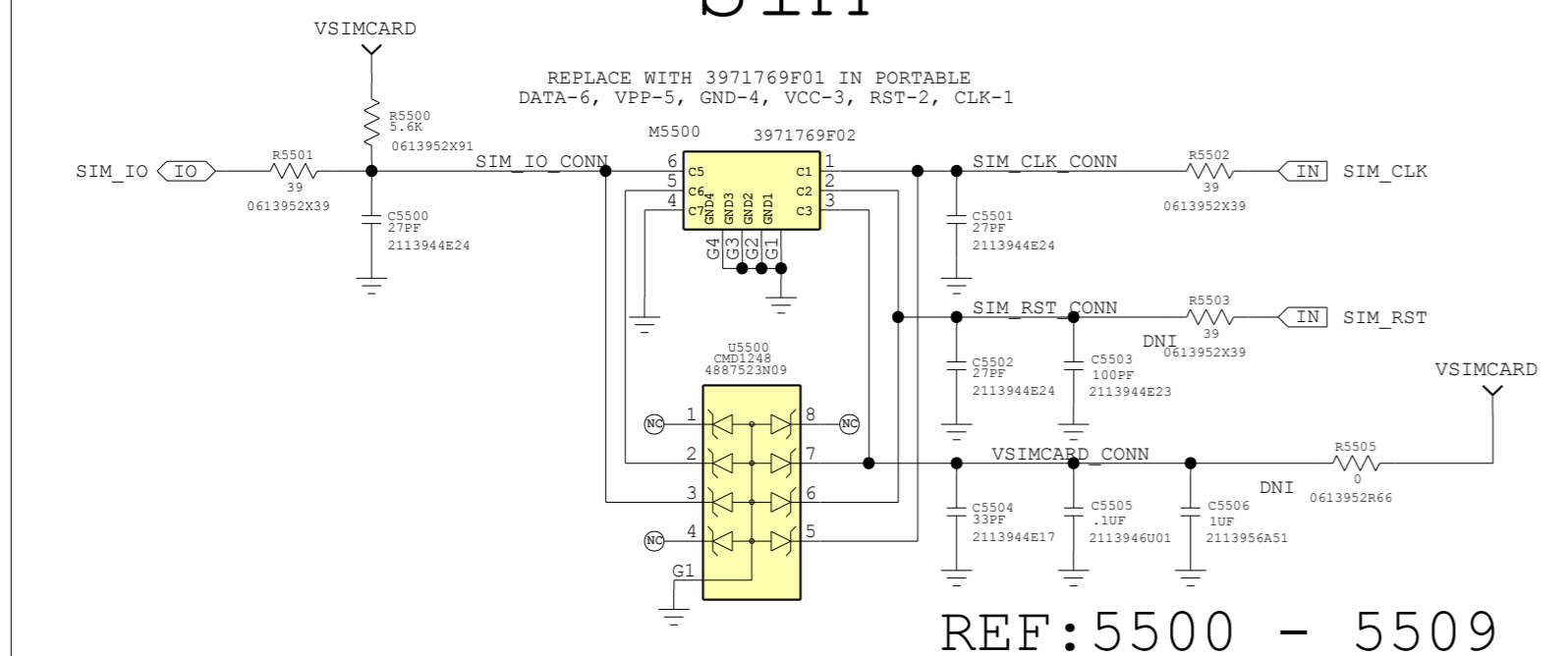
MICRO USB



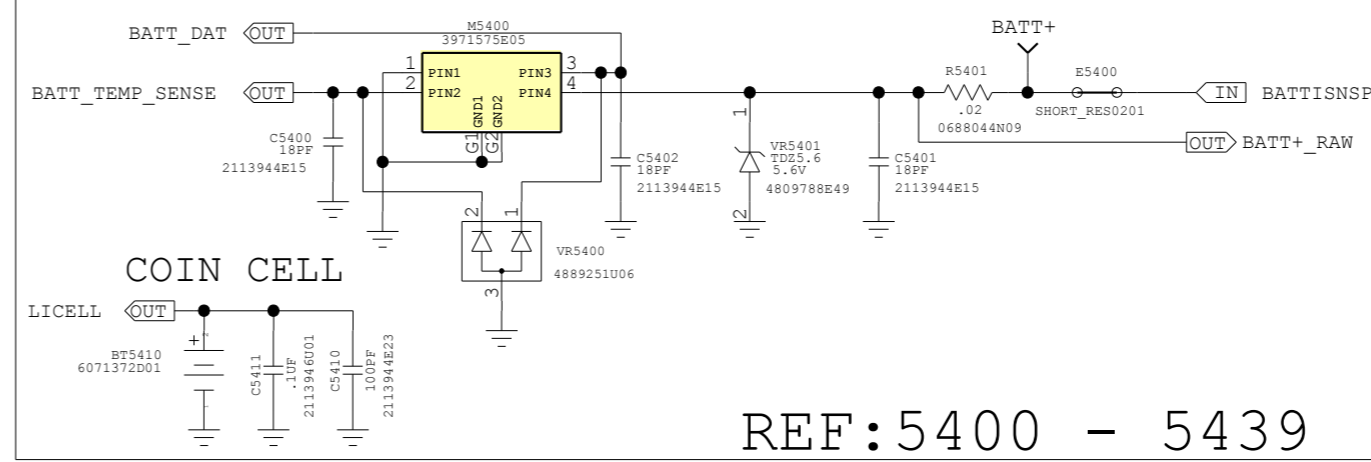
SOL LED



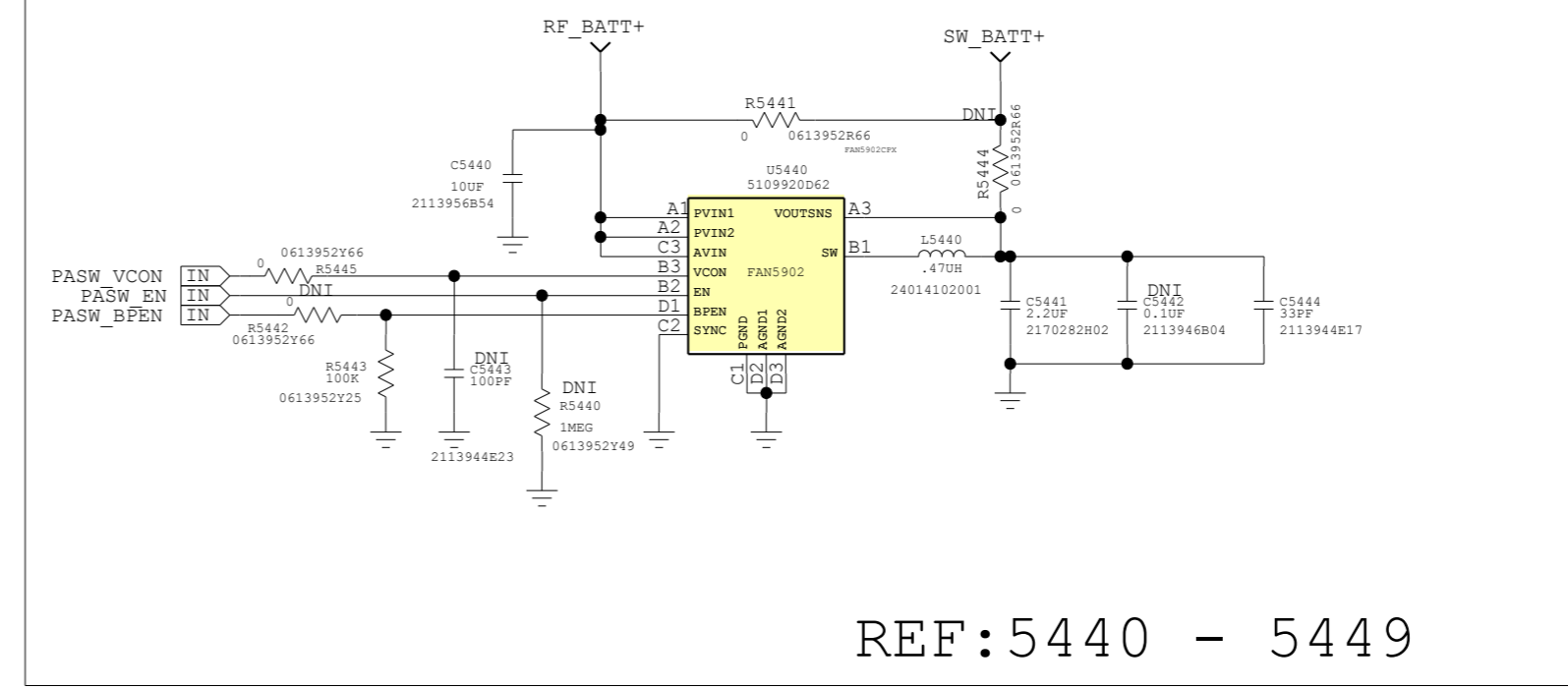
SIM



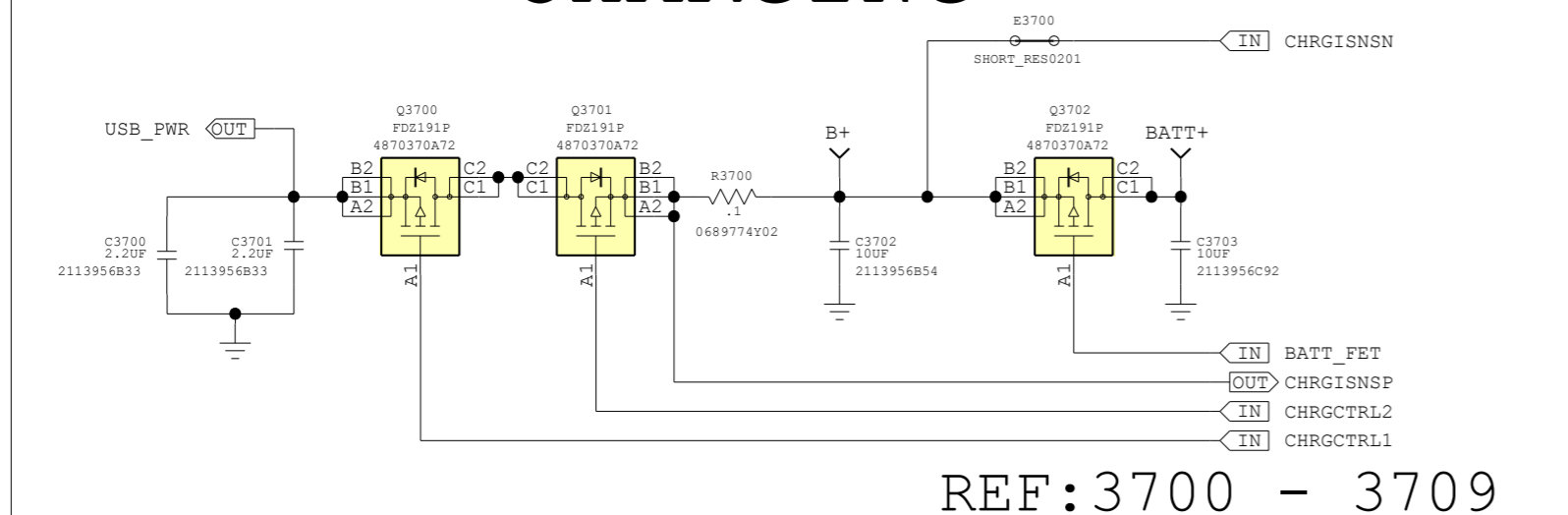
BATTERY BLOCK



PA SWITCHER



CHARGING

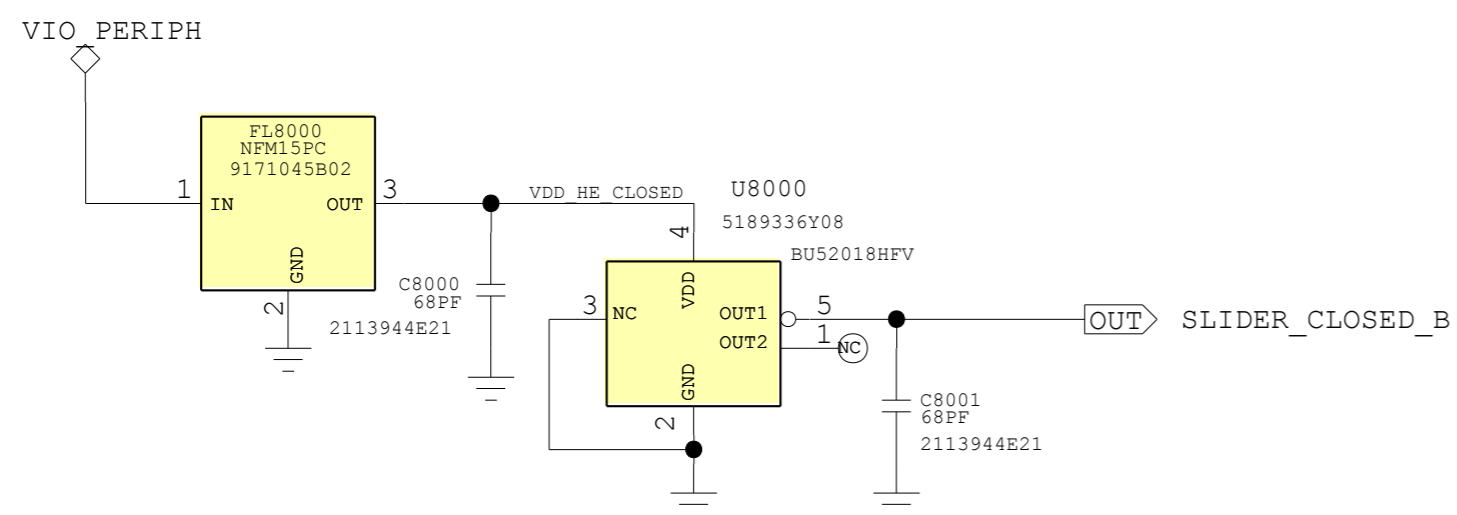


Milestone_84014321001_A

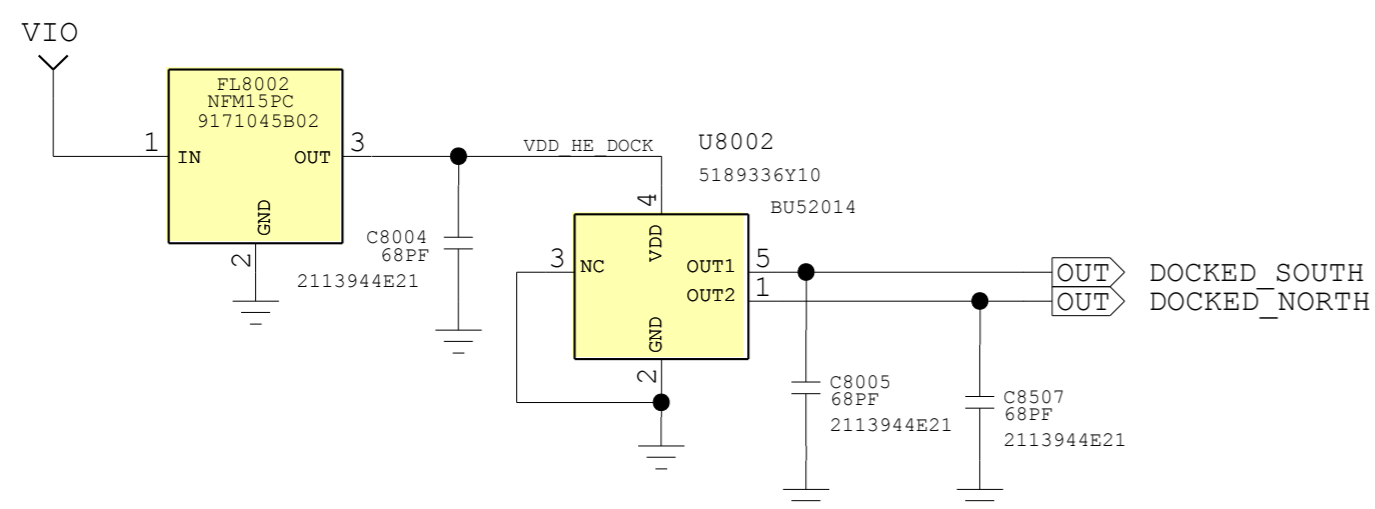
SENSORS - MAIN BOARD

HALL EFFECT SENSORS

SLIDER POSITION DETECT



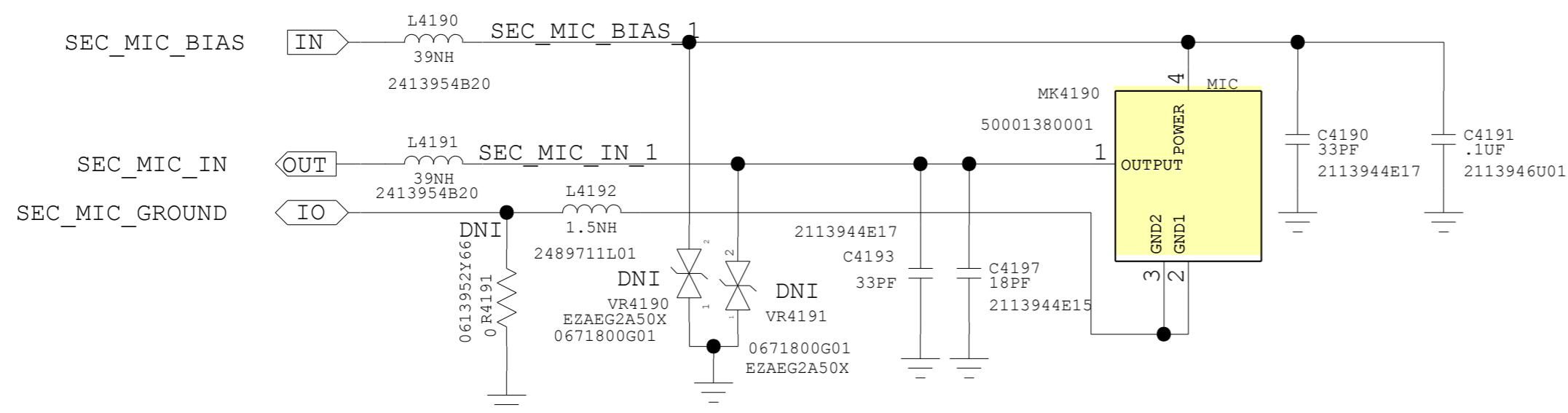
DOCKING STATION DETECTION



REF:8000 - 8009

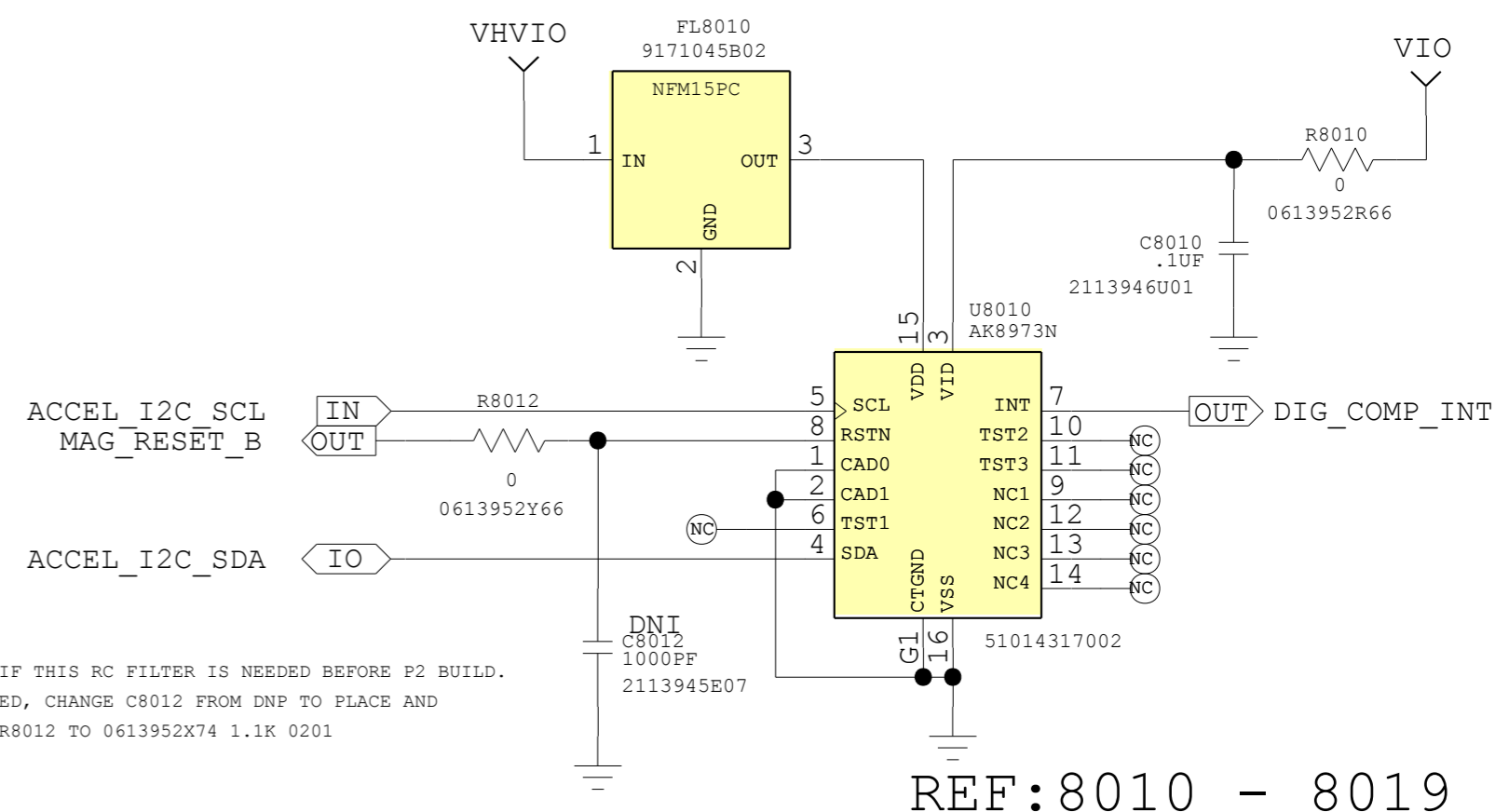
AUDIO - MAIN BOARD

SECONDARY MIC

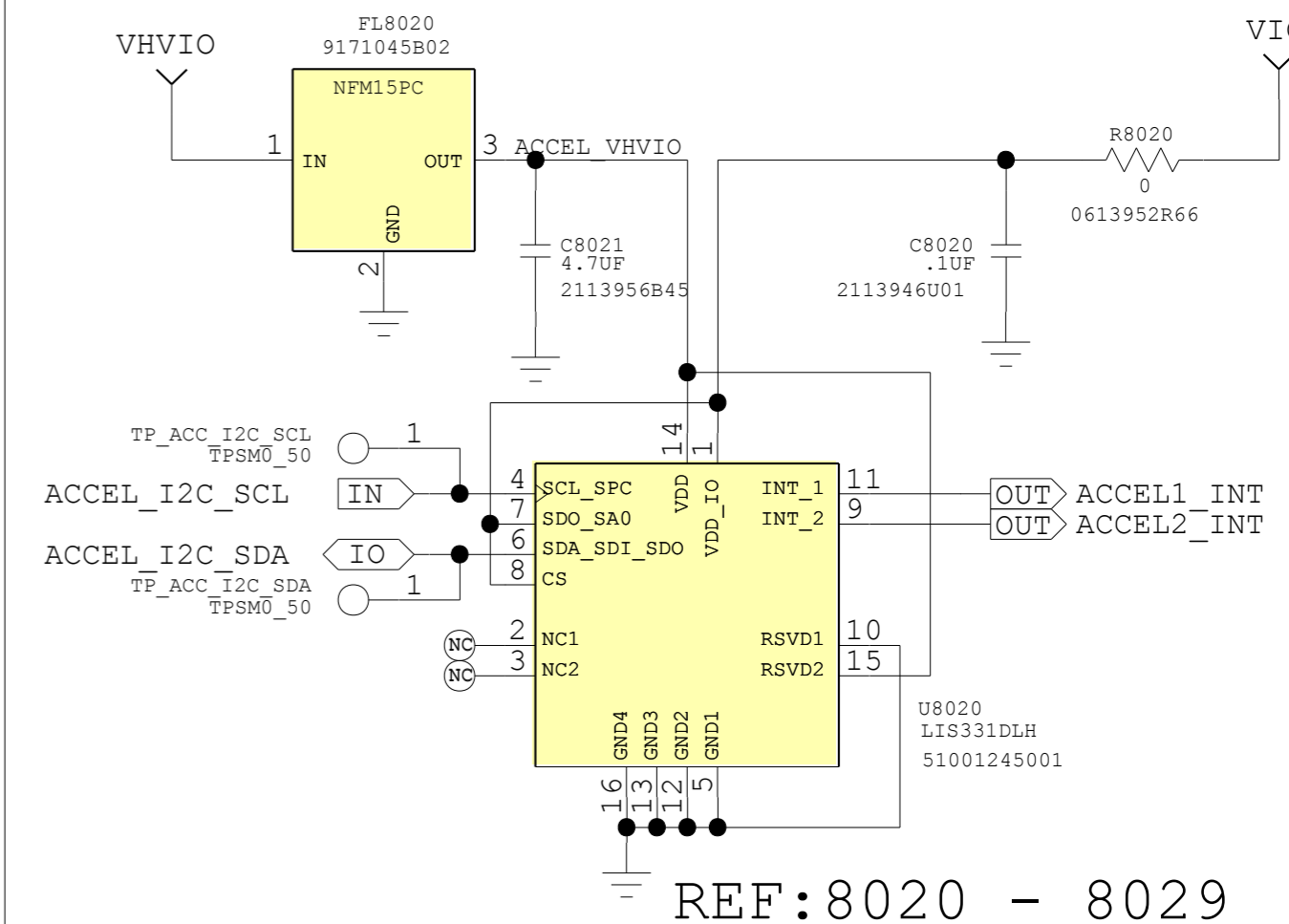


REF:4190 - 4199

MAGNETOMETER



ACCELEROMETER



Milestone_84014321001_A

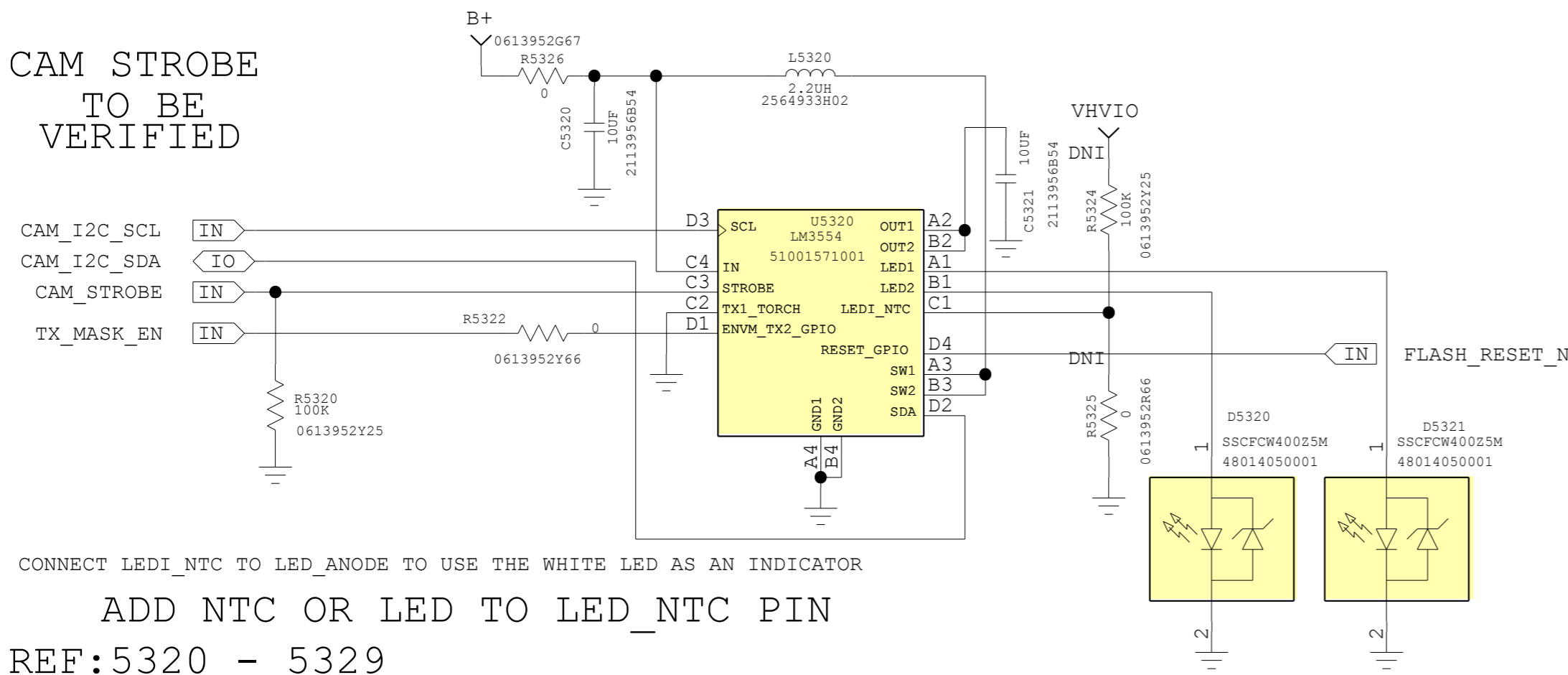


Repair Optimization Service Training	2009.07.08
Level 3 Schematics	Rev. 1.0
Milestone	84014321001_A
	Page 15 of 16

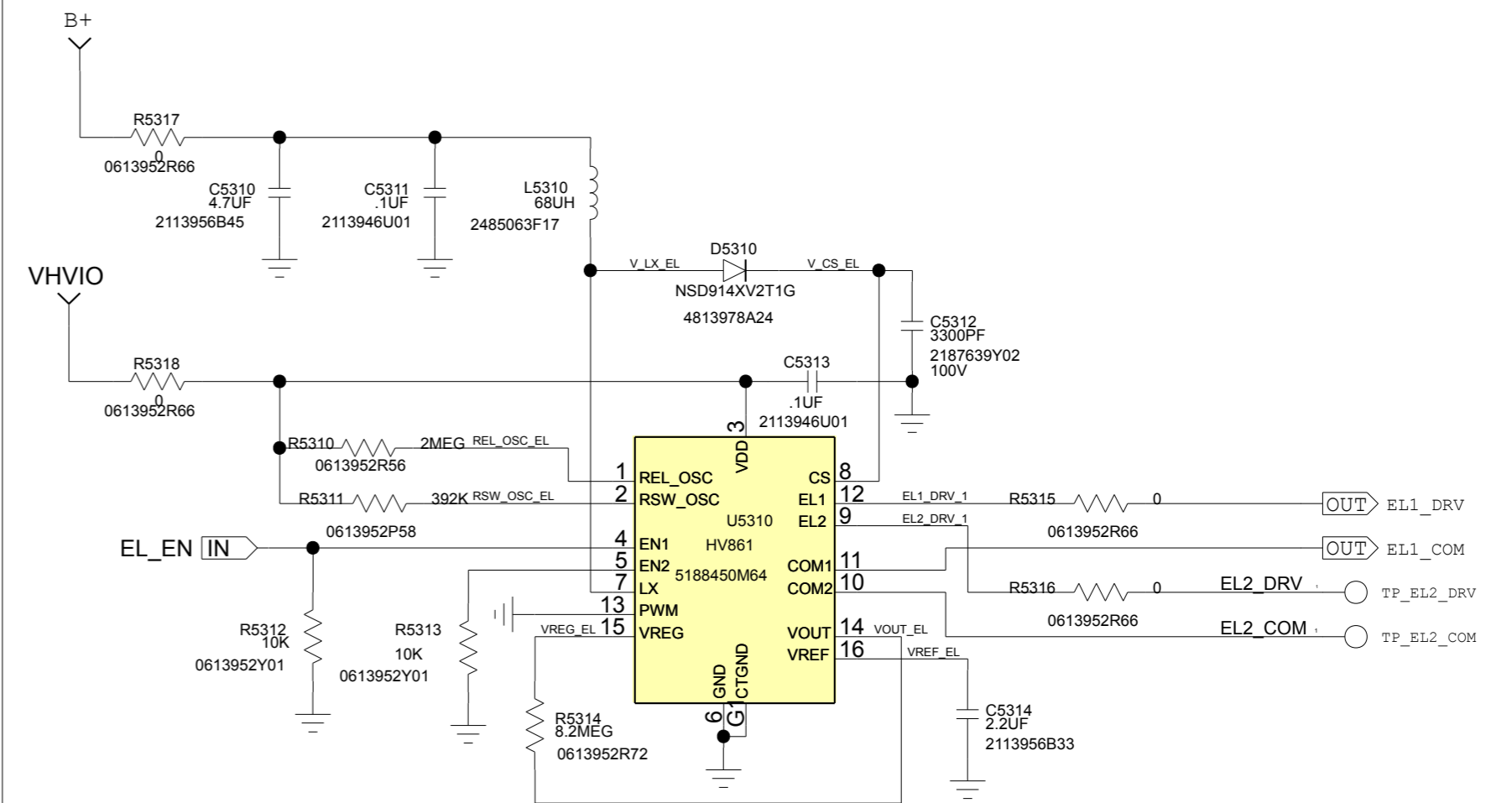
LIGHTING

SHOLES FLASH LED DRIVER

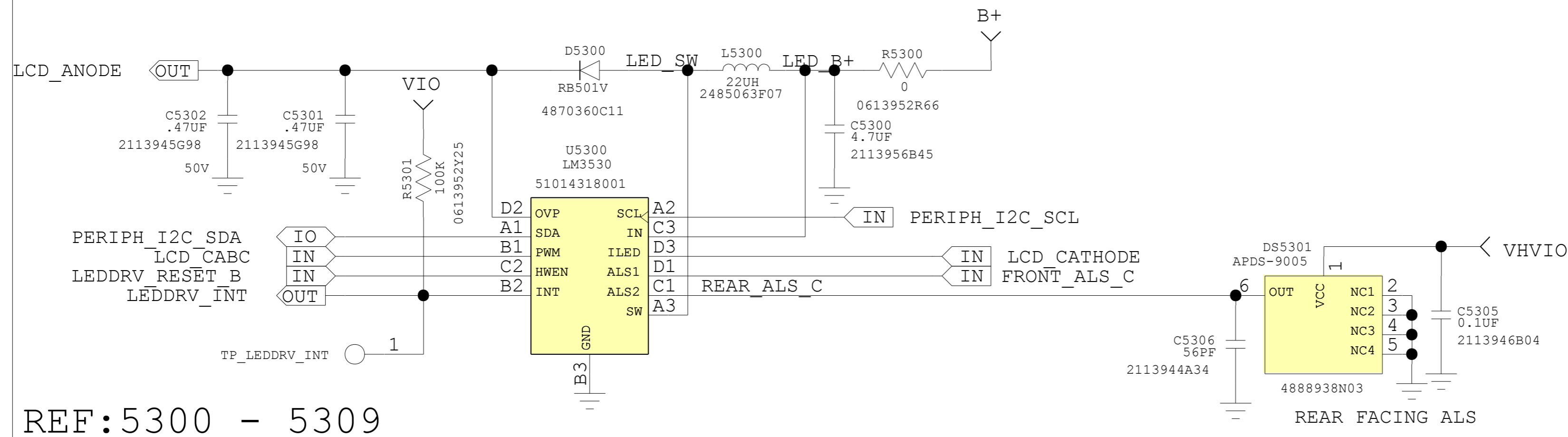
CAM STROBE
TO BE
VERIFIED



SHOLES EL DRIVER



LCD BACKLIGHT DRIVER



Milestone_84014321001_A