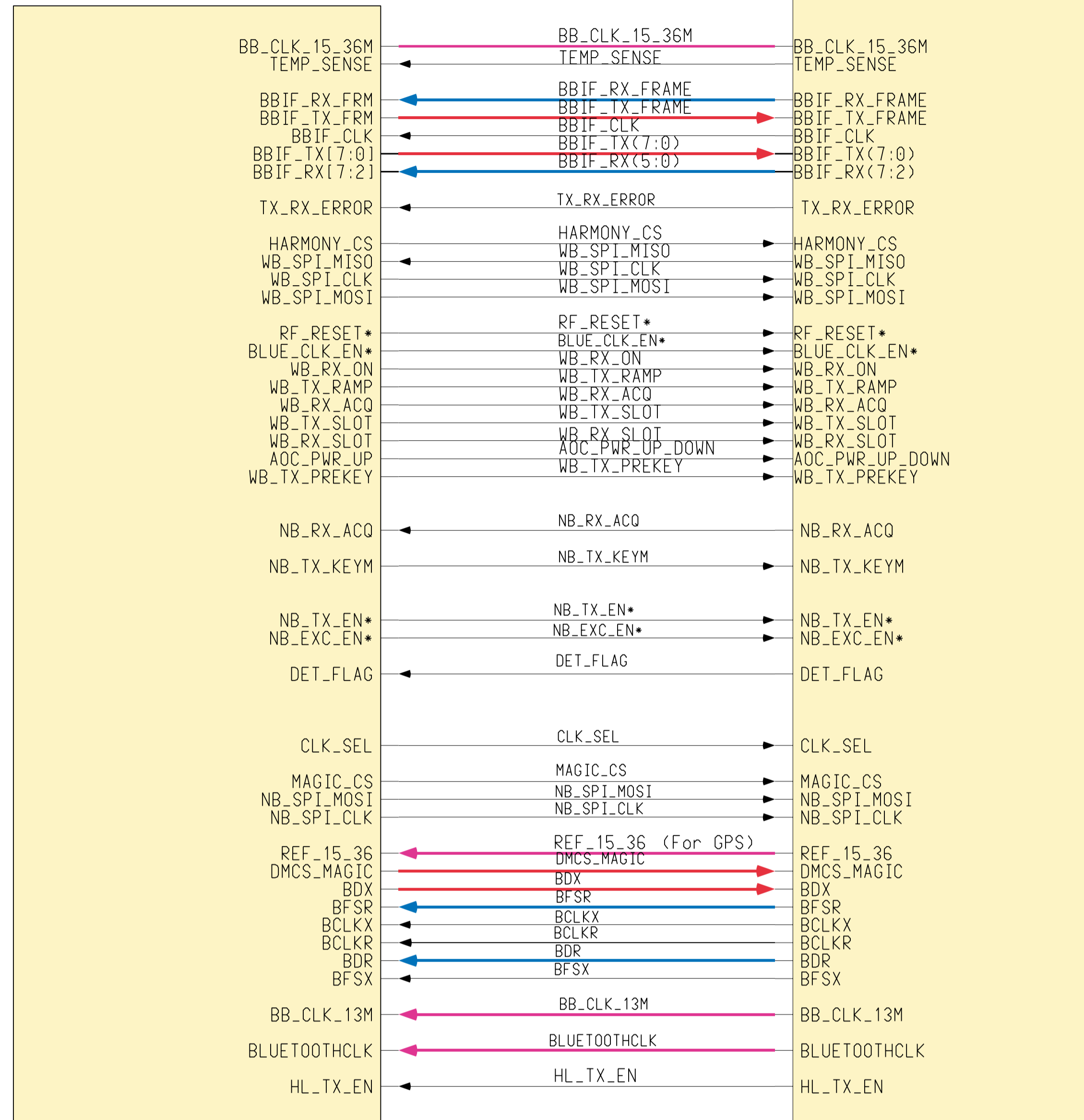


Engineer: Ed Naddeo	TITLE: Talon Integrated			Size: 11x17
Drawn by: Ed Naddeo	REV: P6C			Page: 11
R&D CHK:	MFG CTRL CHK:			Of: 17
DOC CTRL CHK:	Date: January 7, 2003			Time: 10:43:18 am
QA CHK:	REV: P6C	Drawing Number: 8487729N06	Page: 11	Of: 17
Changed by: Ed Naddeo	Date: January 7, 2003			Time: 10:43:18 am

Baseband

RF

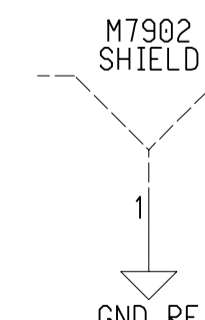
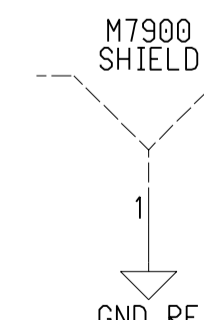
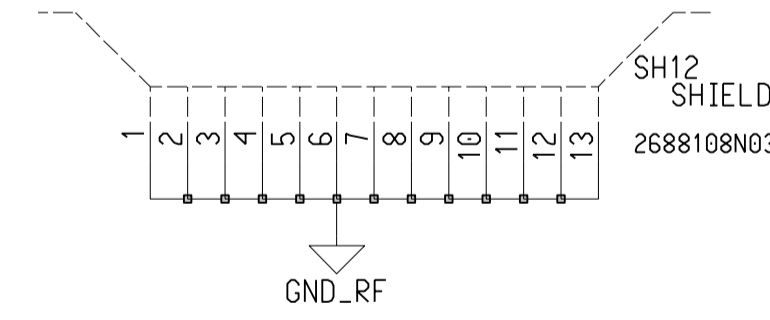
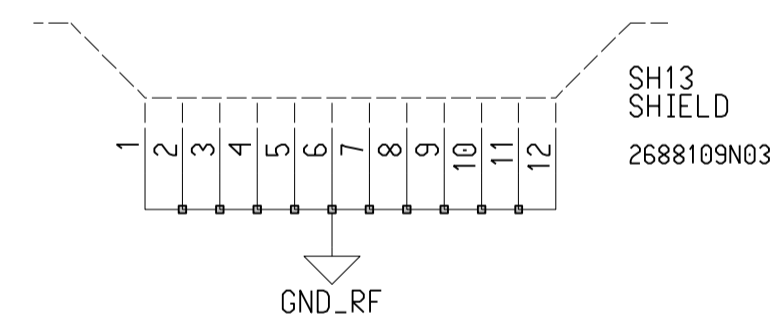
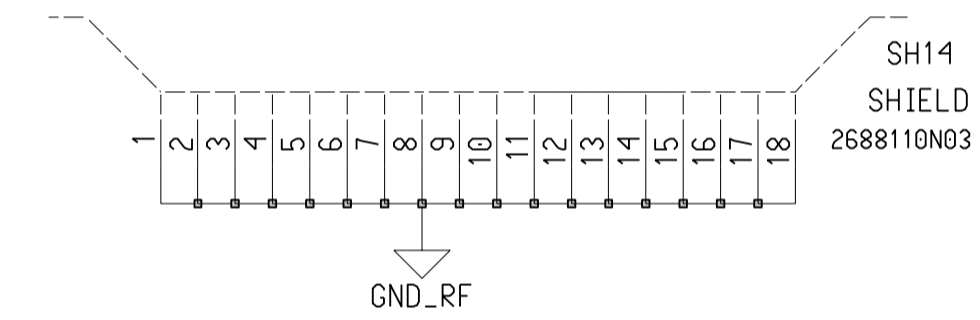
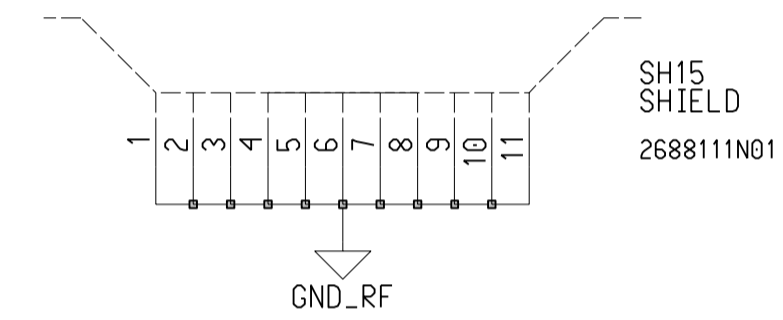
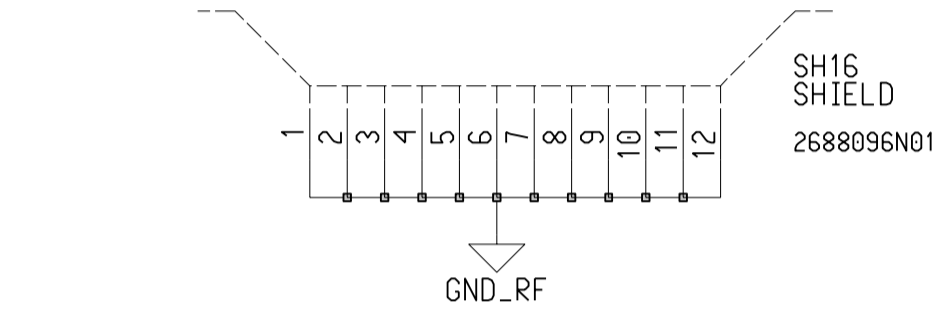
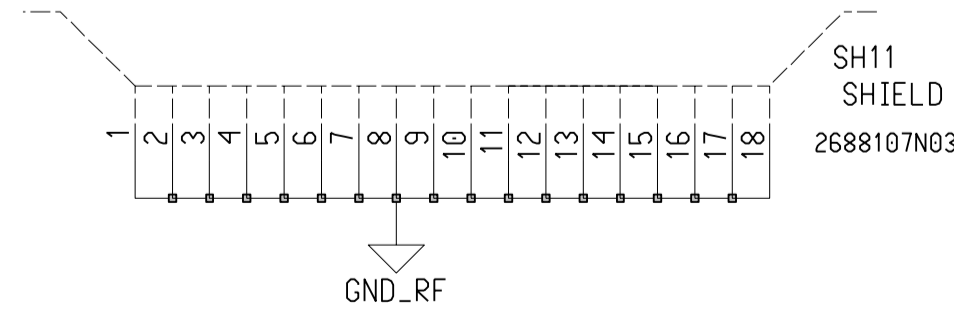
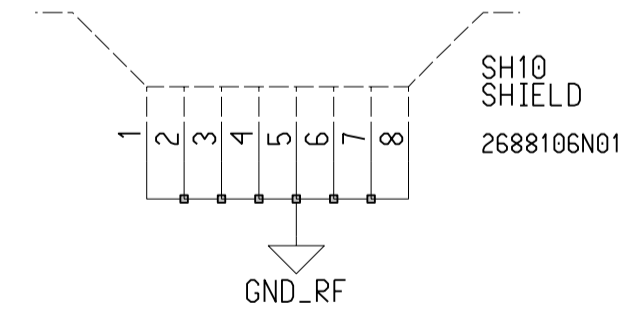
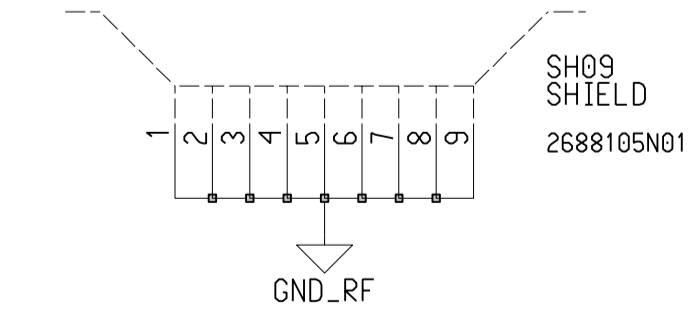
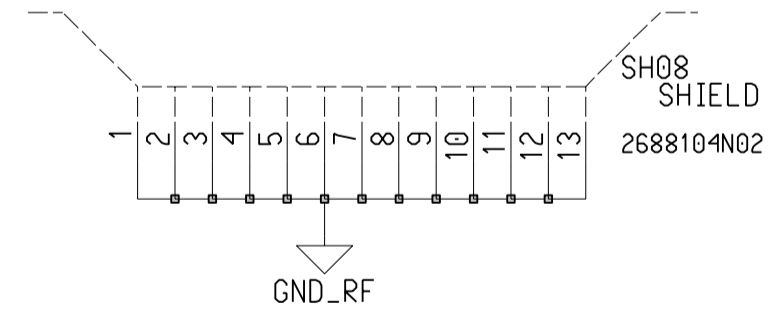
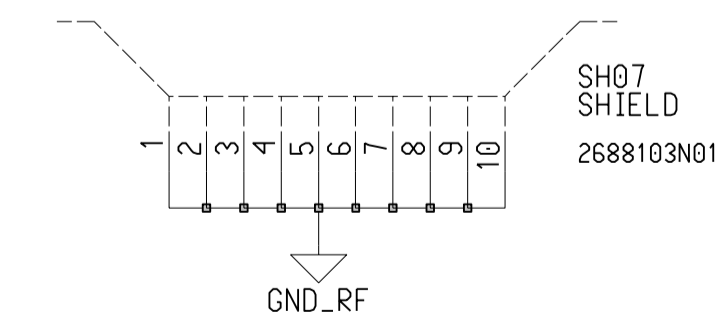
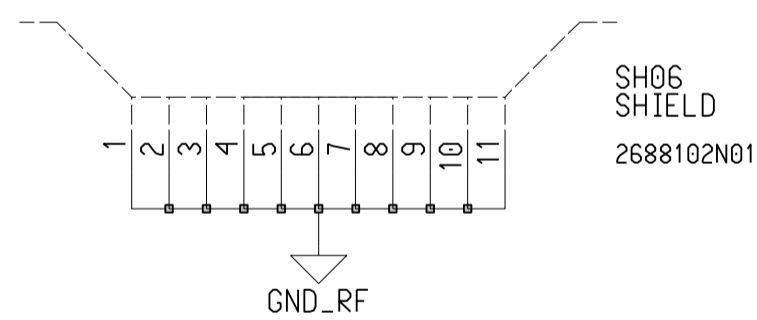
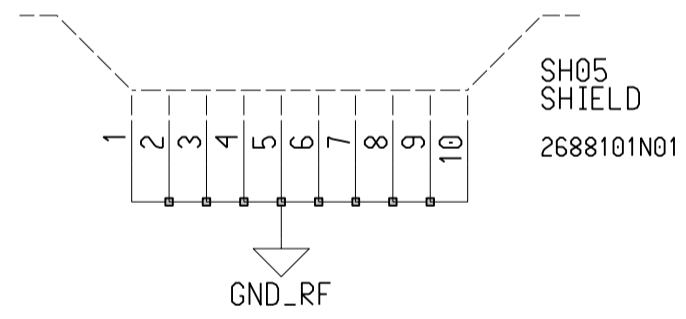
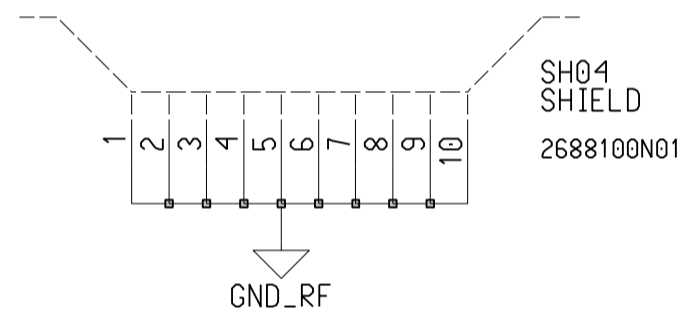
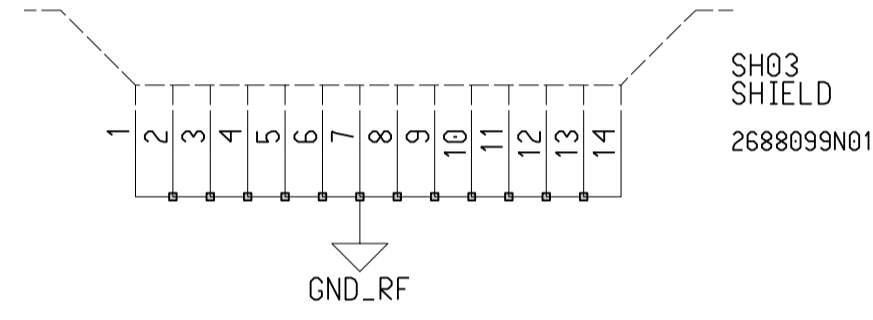
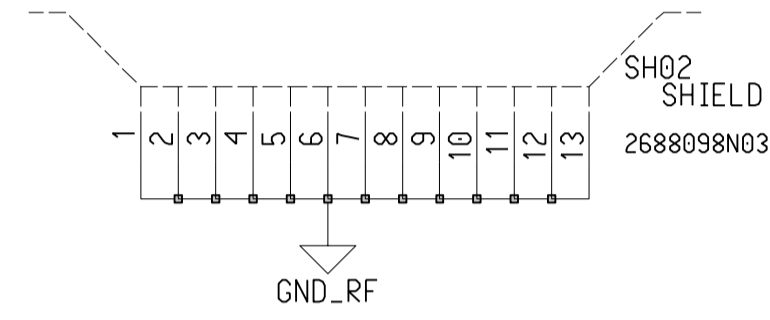
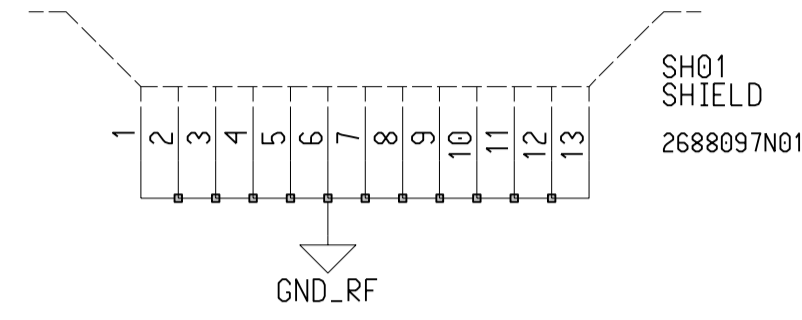


A

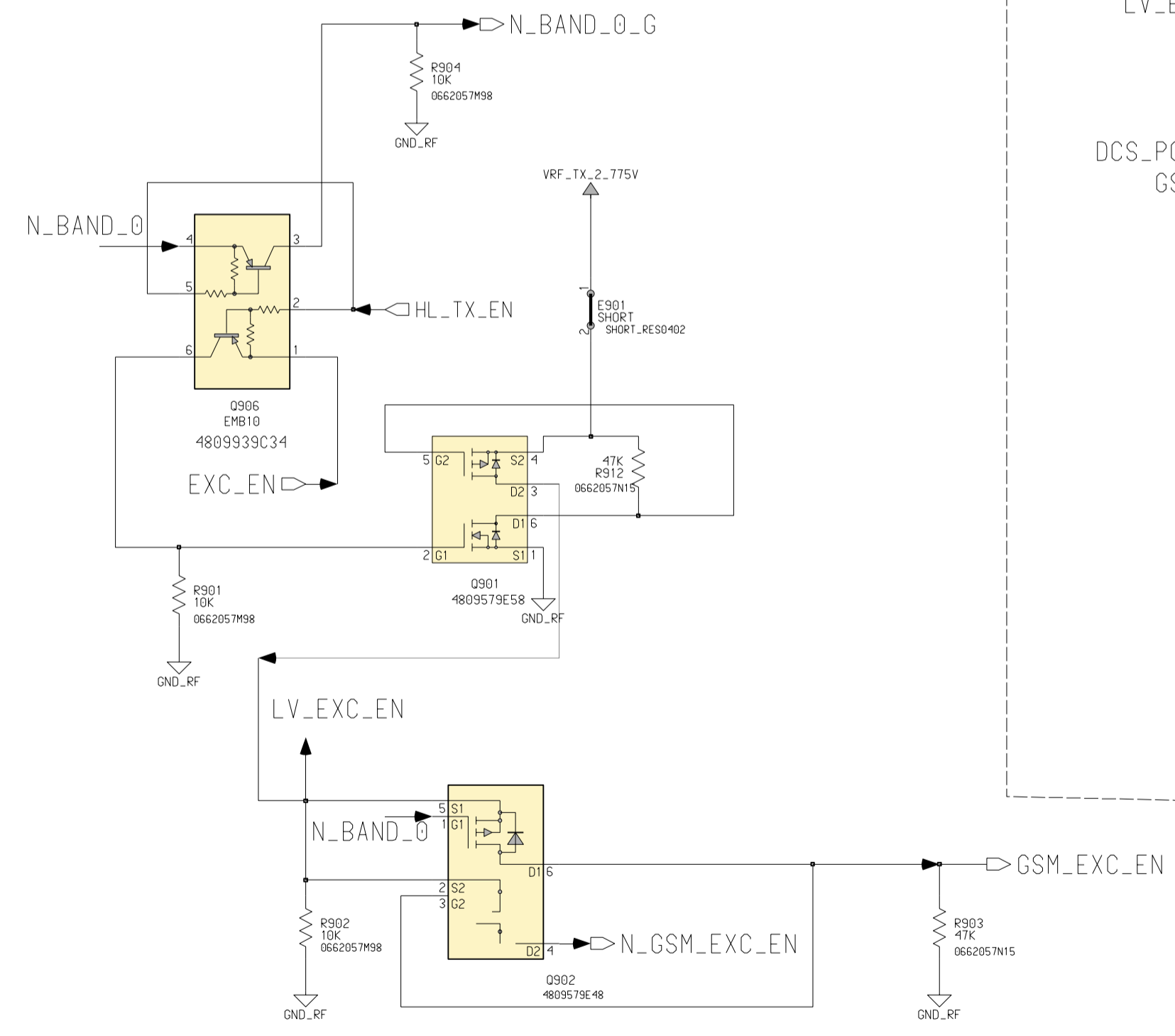
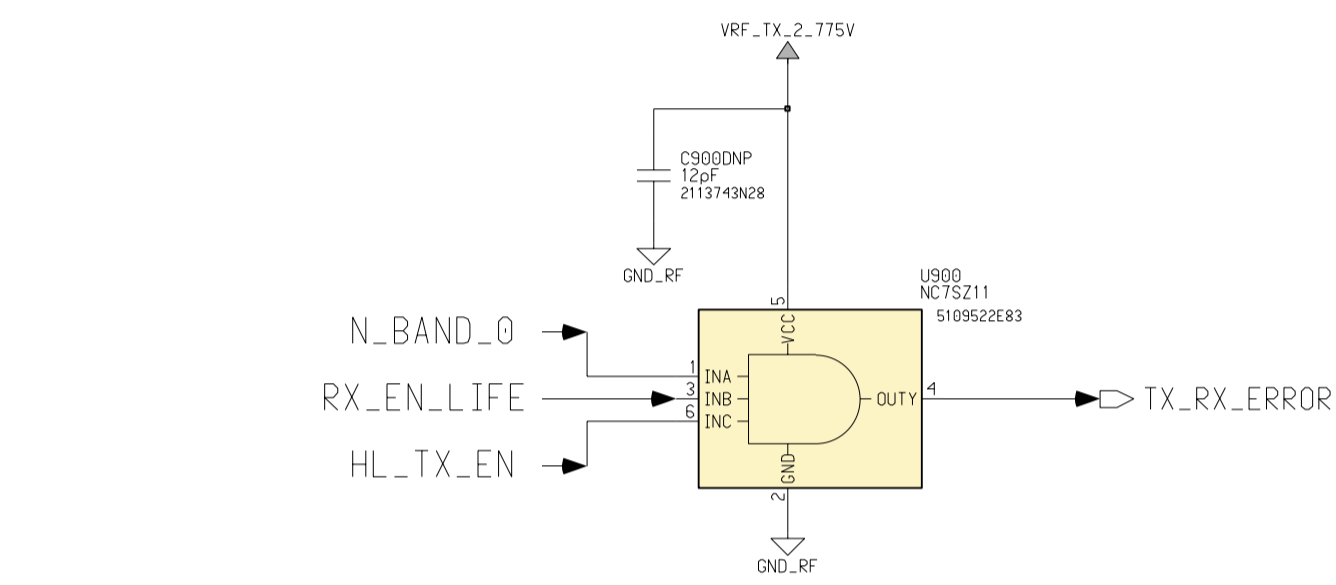
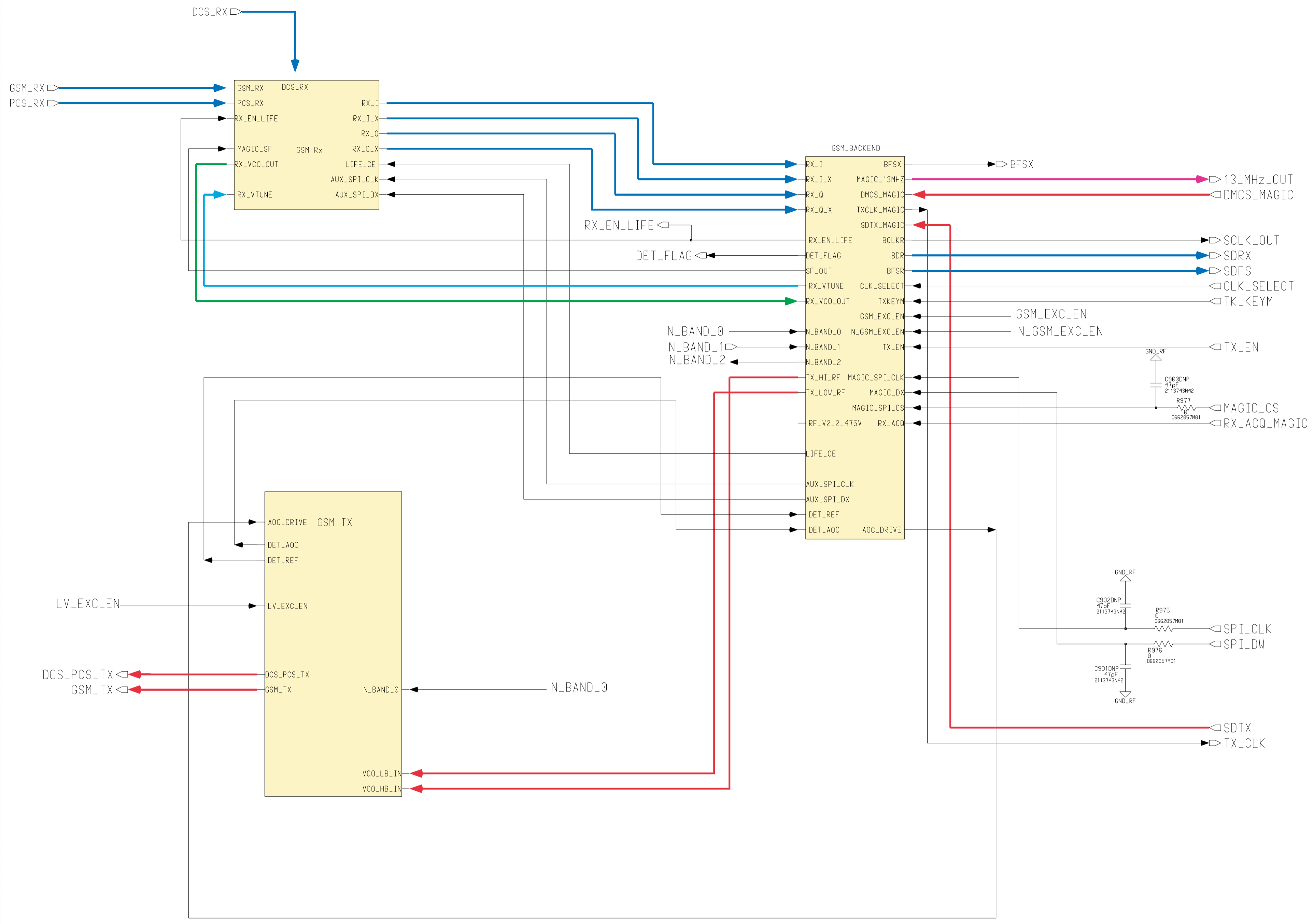
B

C

D

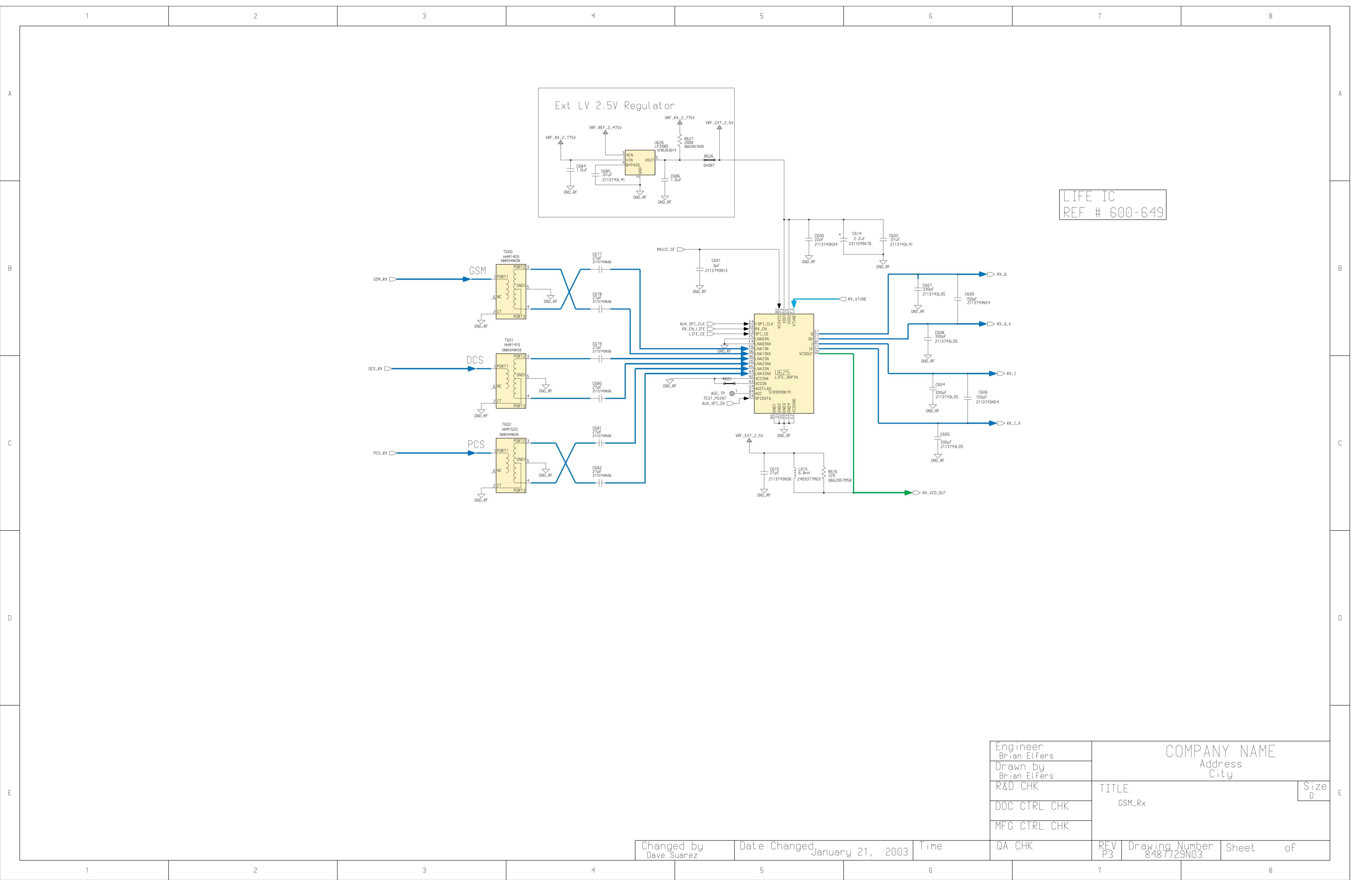


Band Select Circuits REF # 900-925



Changed by Dave Suarez	Date Changed February 5, 2003	Time	QA CHK	REV P3	Drawing Number 8487729N01	Sheet of
---------------------------	----------------------------------	------	--------	-----------	------------------------------	-------------

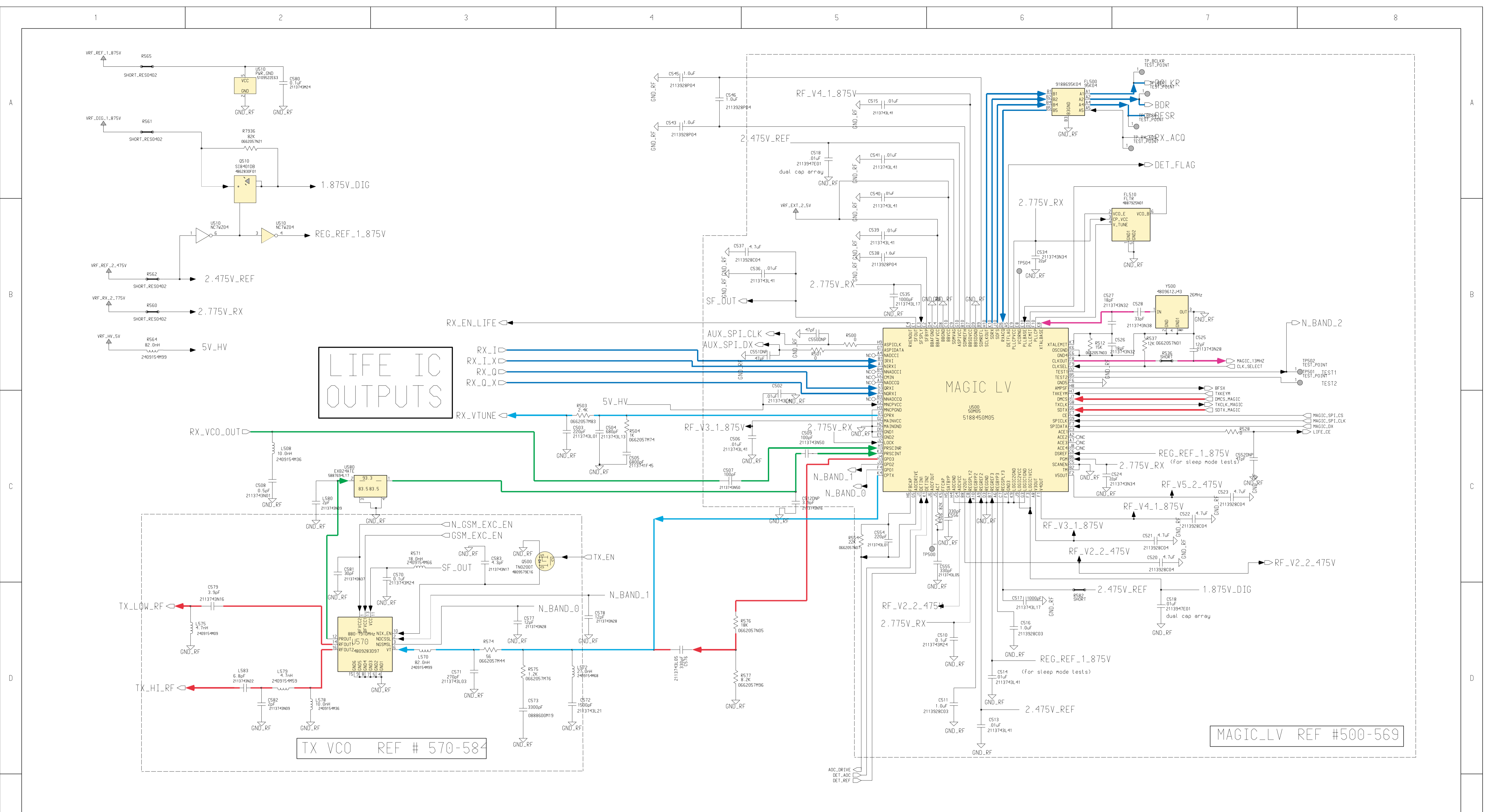
Engineer Dave Suarez	COMPANY NAME Address City	TITLE GSM_TOP	Size D
Drawn by Dave Suarez			
R&D CHK			
DOC CTRL CHK			
MFG CTRL CHK			



LIFE IC
REF # 600-649

Engineer Brian Elfers	COMPANY NAME		
Drawn by Brian Elfers	Address City		
R&D CHK	TITLE GSM-Rx	Size D	
DOC CTRL CHK			
MFG CTRL CHK			
QA CHK	REV P3	Drawing Number 8487729N03	Sheet of

Changed by Dave Suarez Date Changed January 21, 2003 Time



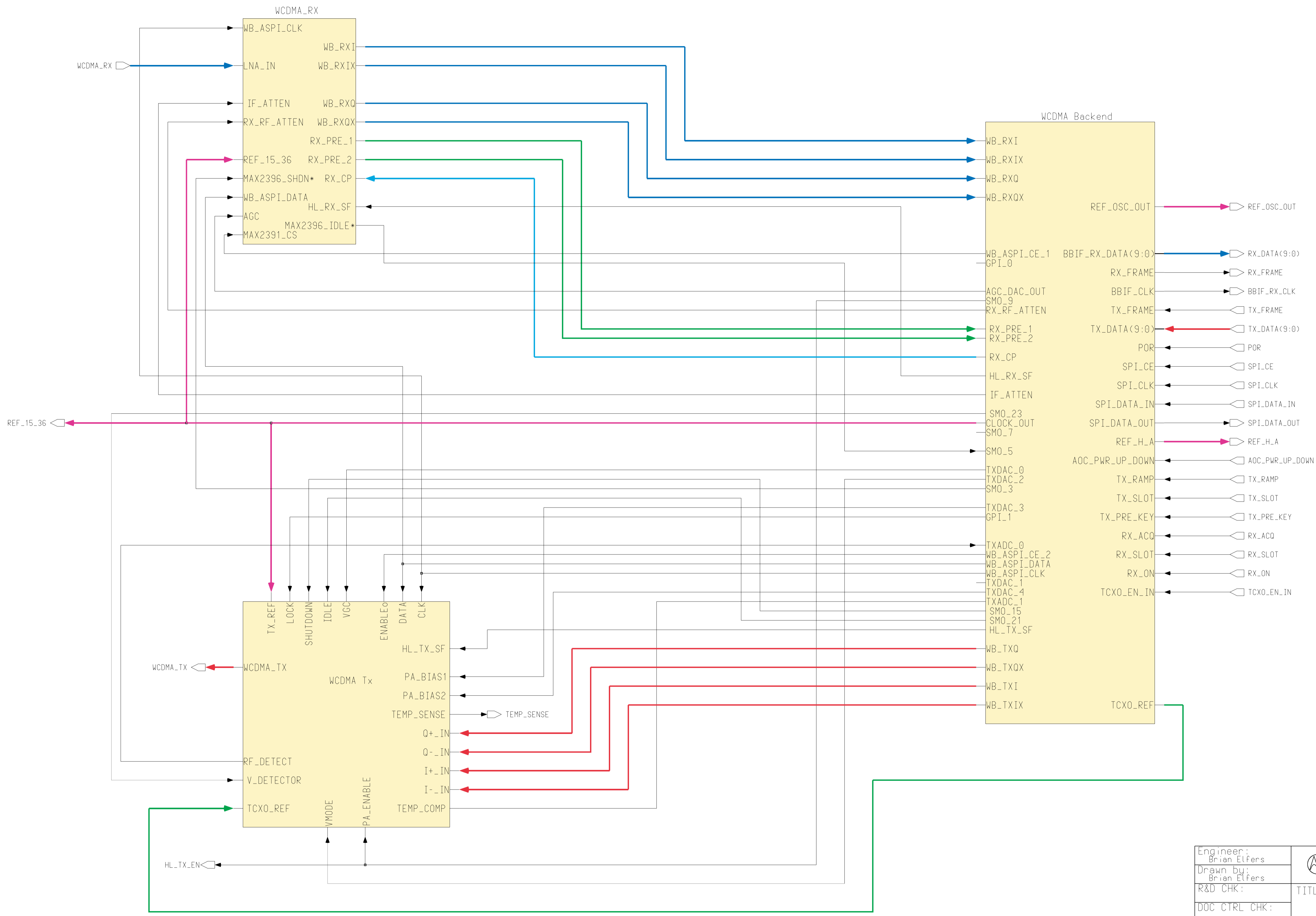
LIFE IC
OUTPUTS

TX VCO REF # 570-584

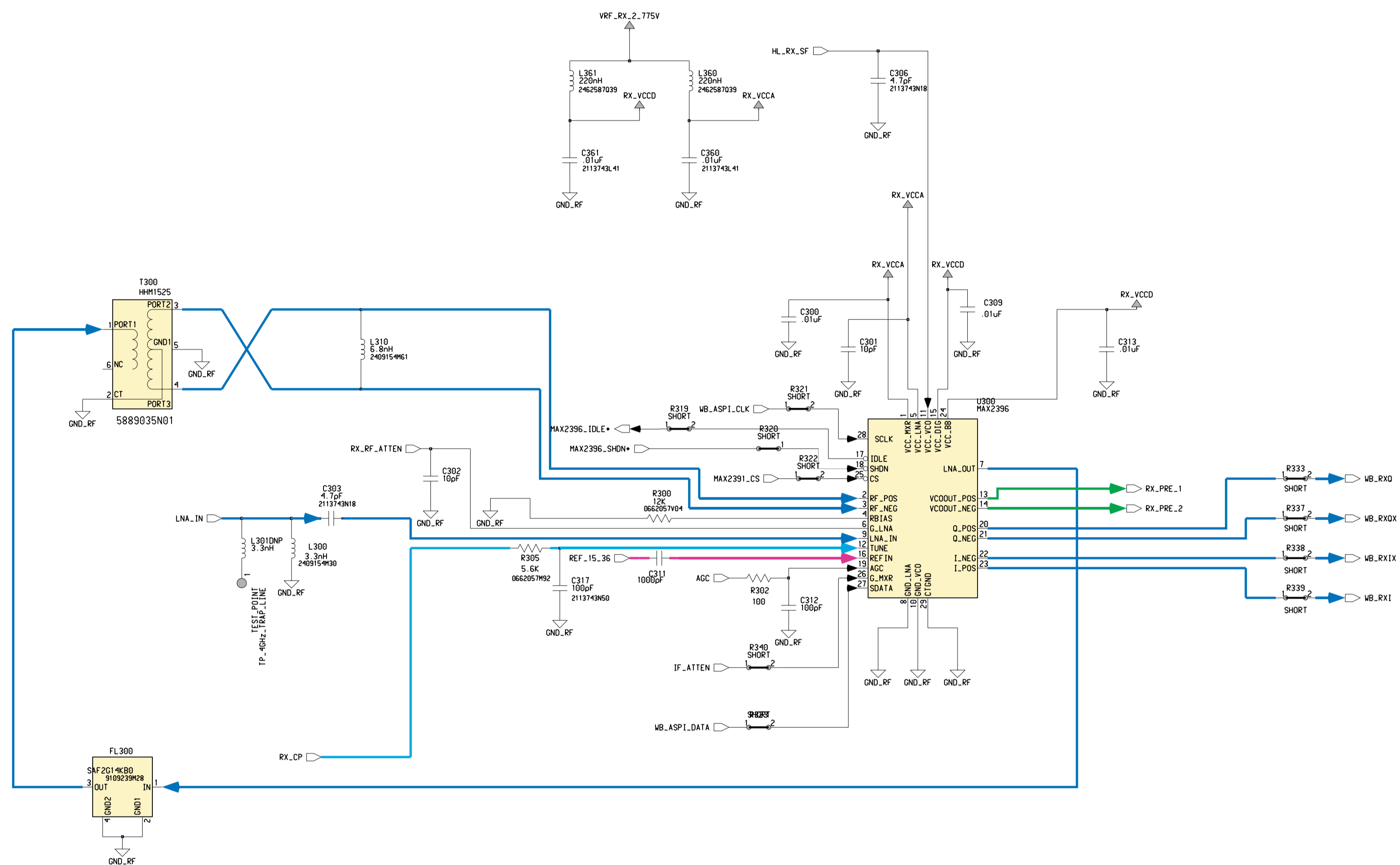
MAGIC_LV REF #500-569

Engineer Andy Ma	MOTOROLA INC. LIBERTYVILLE IL		
Drawn by Andy Ma	TITLE	Size D	
R&D CHK	Talon_rev_0	GSM_backend	
DOC CTRL CHK			
MFG CTRL CHK			
QA CHK	REV P6C	Drawing Number 8487729N06	Sheet of

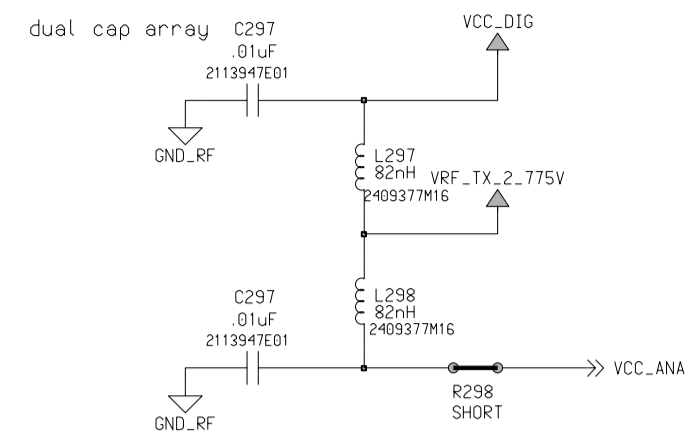
Changed by Dave Suarez Date Changed July 30, 2003 Time



Engineer: Brian Elfers			
Drawn by: Brian Elfers			
R&D CHK:	TITLE: Talon_rev_0	Size: 11x17	
DOC CTRL CHK:			
MFG CTRL CHK:			
QA CHK:	REV: P3	Drawing Number: 8487729N03	Page: Of:
Changed by: Dave Suarez	Date: Friday, April 20, 2001	Time: 4:07:28 pm	



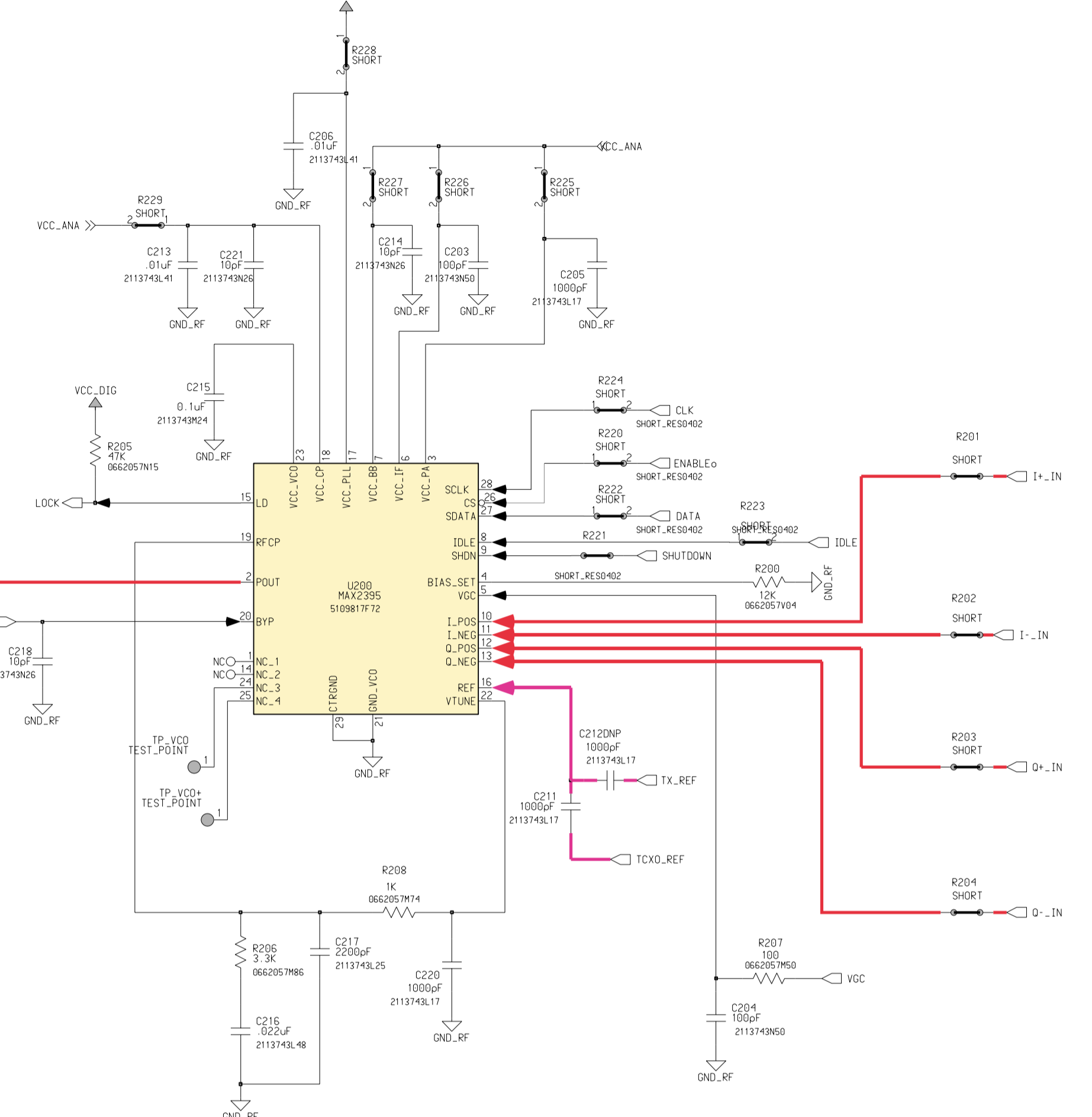
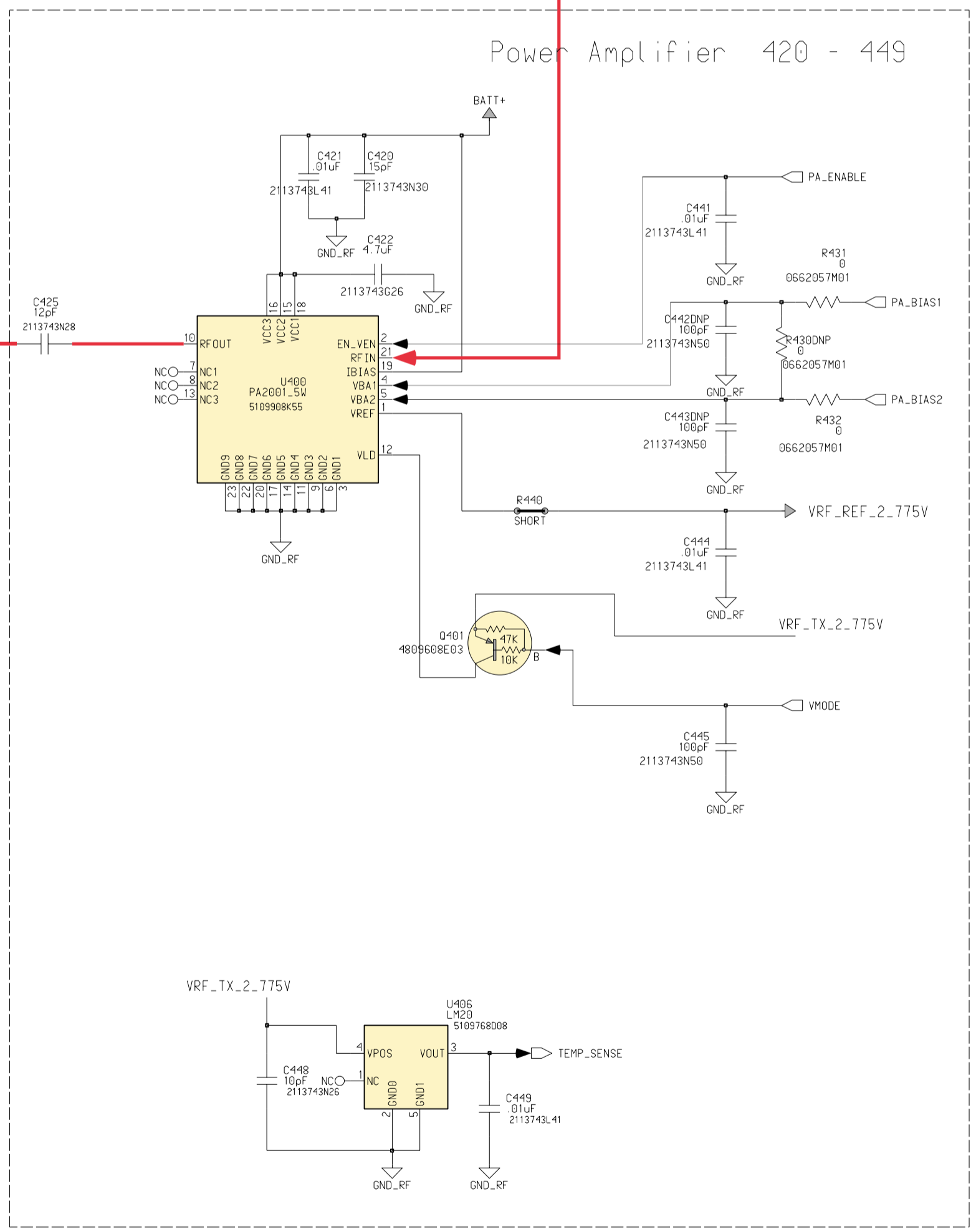
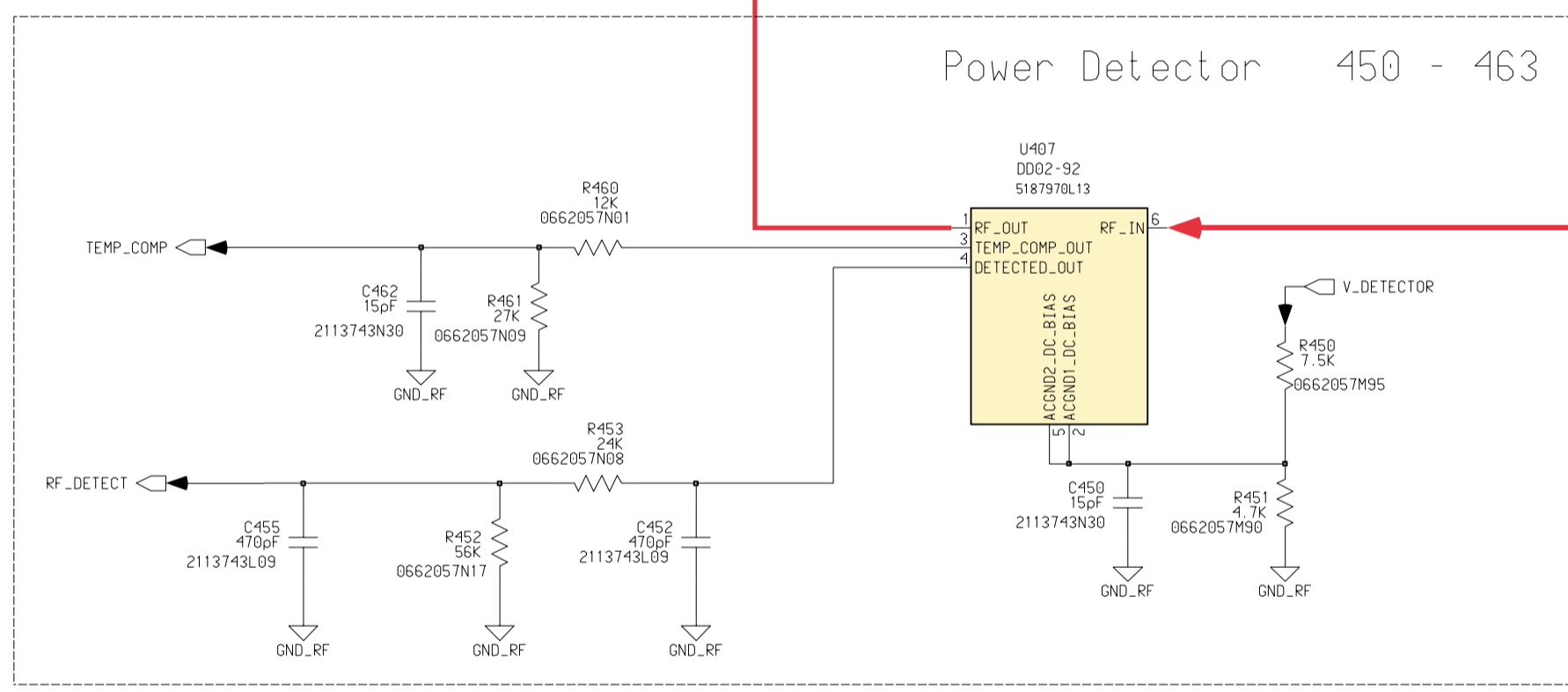
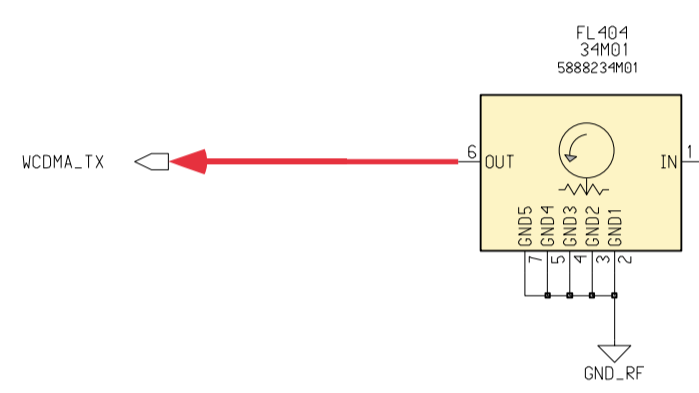
Engineer: Randy Wiessner			
Drawn By: Randy Wiessner			
DOC CTRL CHK:	TITLE: WCDMA_Rx	Size: D	
MFG CTRL CHK:			
DA CHK: B	Rev: P6	Drawing Number: 8487129N05	Page: 1 of 1
Changed by: Dave Suarez	Date: June 12, 2003		Time: 4:33:16 pm



WCDMA Transmitter (TALON)

Interstage filter 1920 - 1980

Quadrature modulator and upmixer 200-299



Engineer John Mura	COMPANY NAME	
Drawn by John Mura	Address City	
R&D CHK	TITLE WCDMA_Tx	Size D
DOC CTRL CHK		
MFG CTRL CHK		
QA CHK	REV P6	Drawing Number 8487729N06
Changed by Dave Suarez	Date Changed June 12, 2003	Time 4:39:58 pm
	Sheet 1	of 1

MOTOROLA CONFIDENTIAL PROPRIETARY

Engineer:
John S. Kerr
Drawn by:
Todd Roessler
R&D CHK:
DOC CTRL CHK:
MFG CTRL CHK:
QA CHK:



TITLE: Talon Integrated Baseband Top Level
Size: 11x17
REV: Drawing Number: Page: Of:
Date: Monday, March 4, 2002
Time: 10:39:56 am

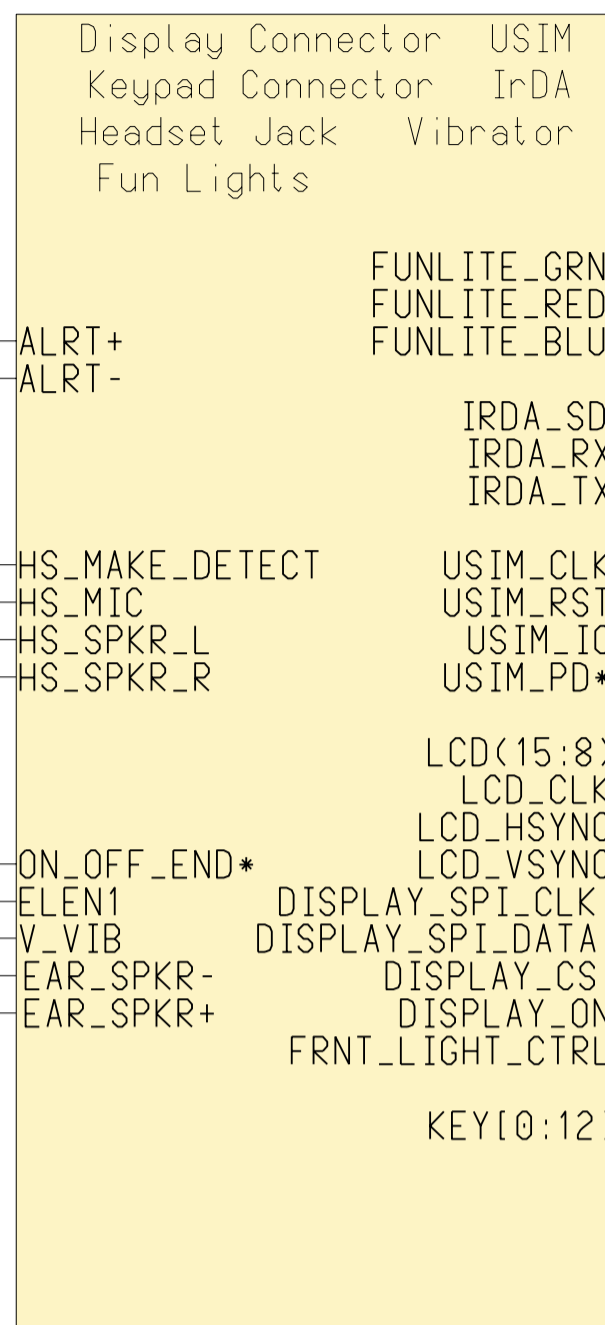
A

B

C

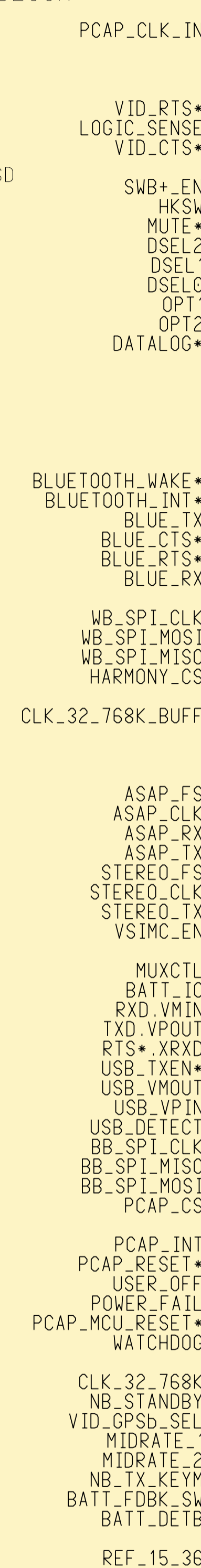
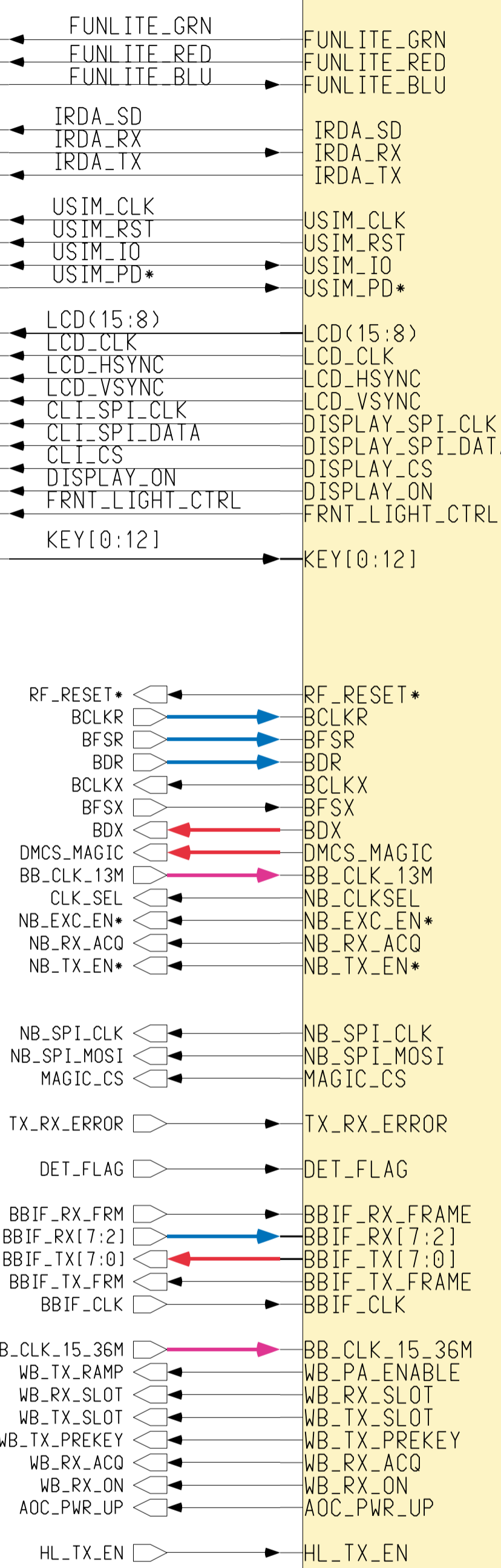
D

Misc Connectors

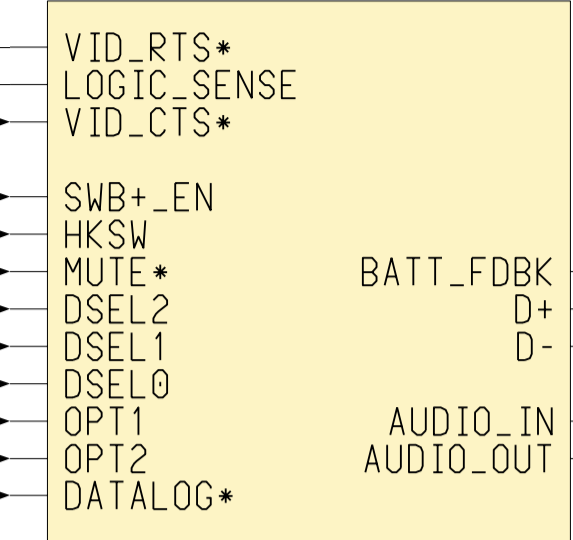


CORE LOGIC BLOCK

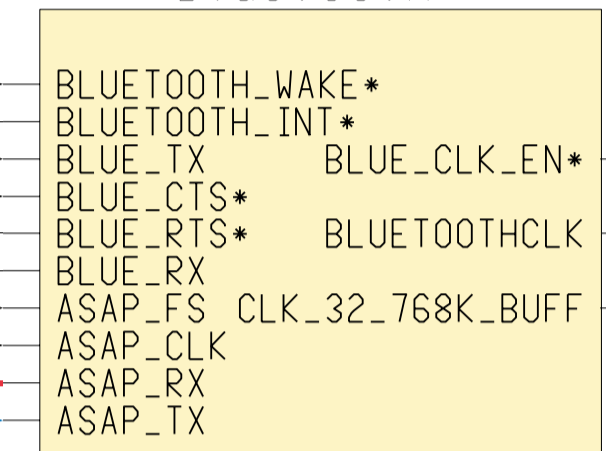
POG
Memories
Video
AGPS
Embedded SD



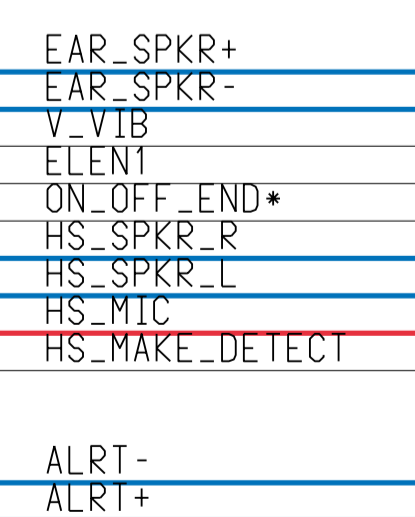
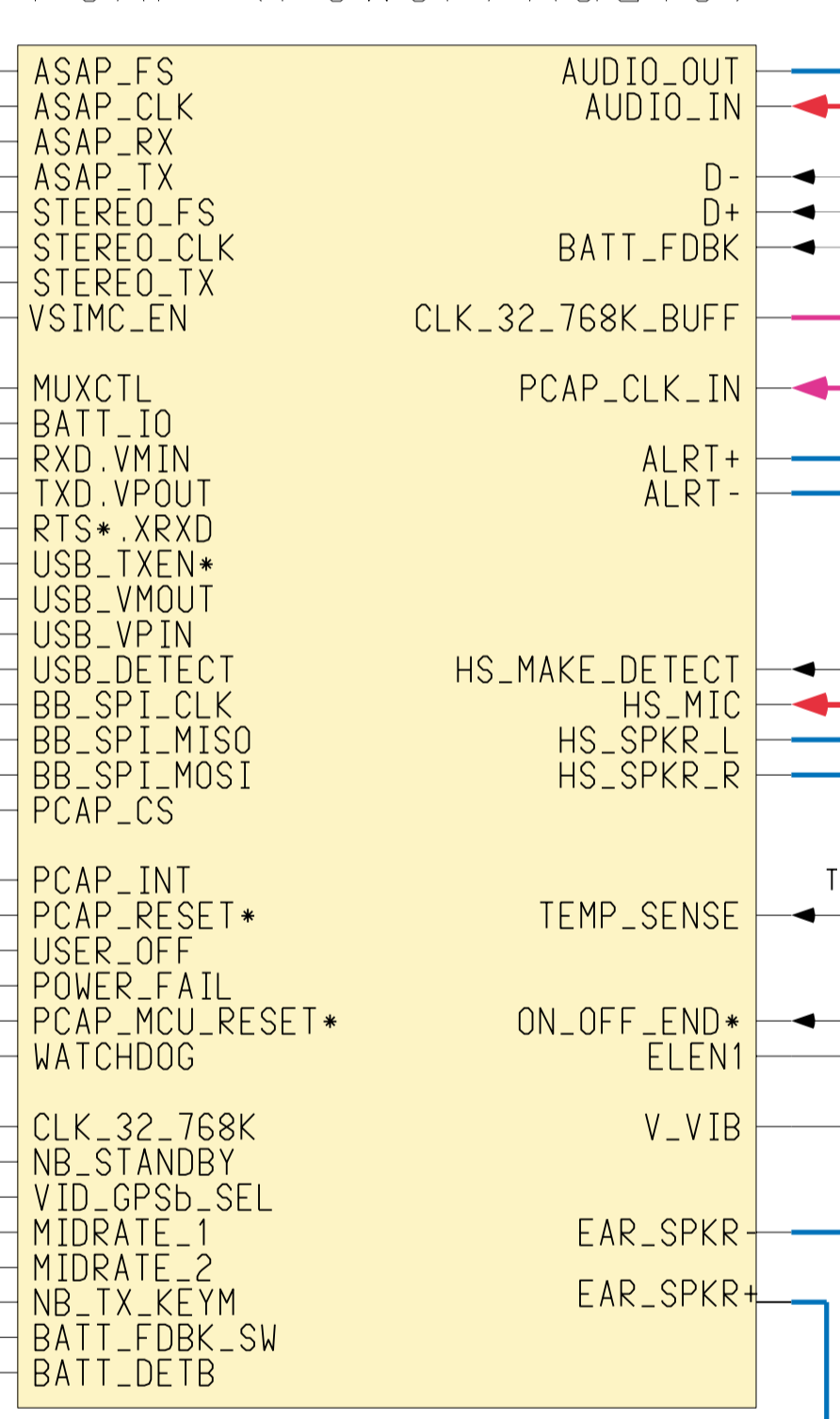
CE Bus Connector

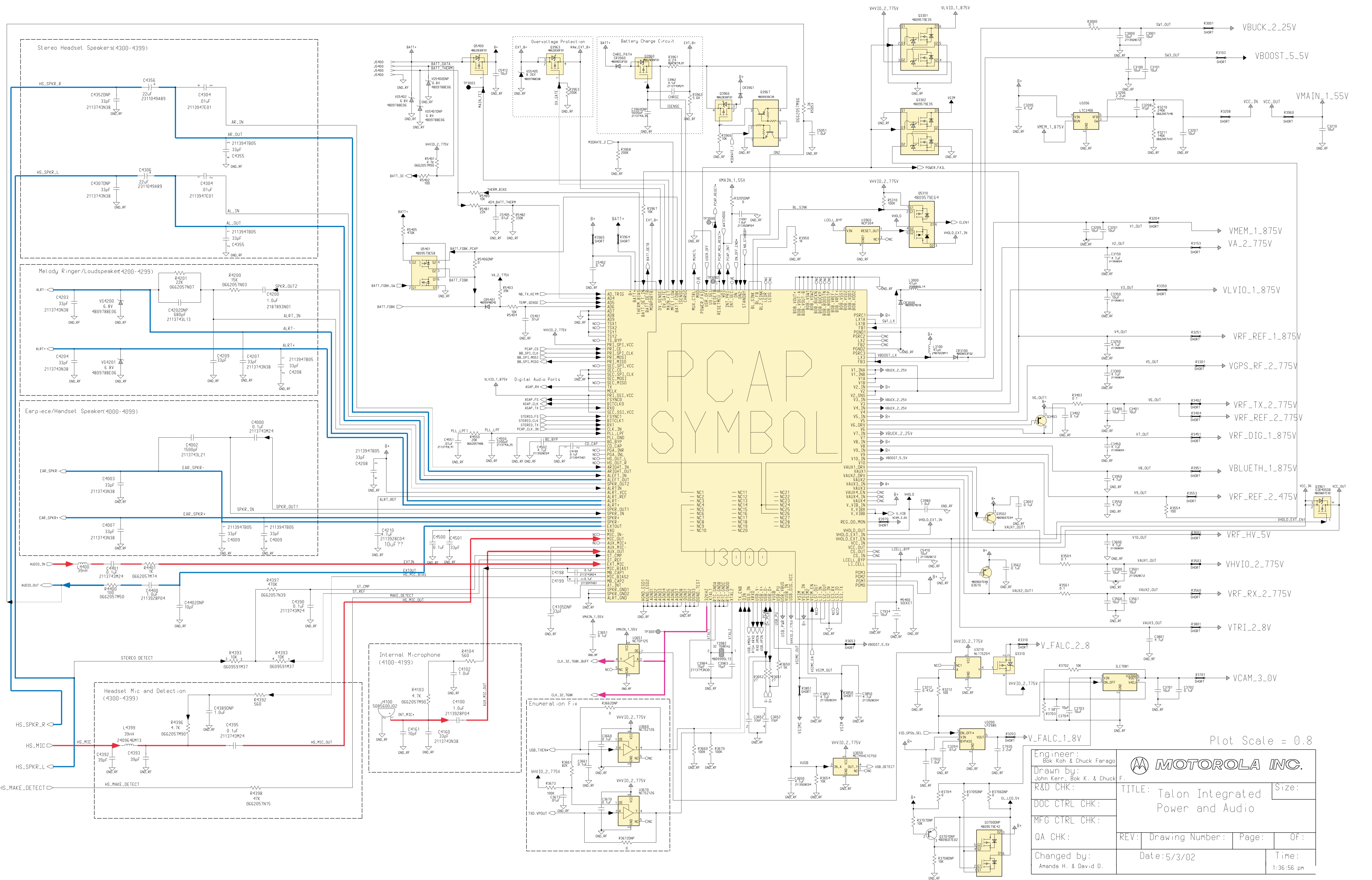


Bluetooth



PCAP (Power/Audio)

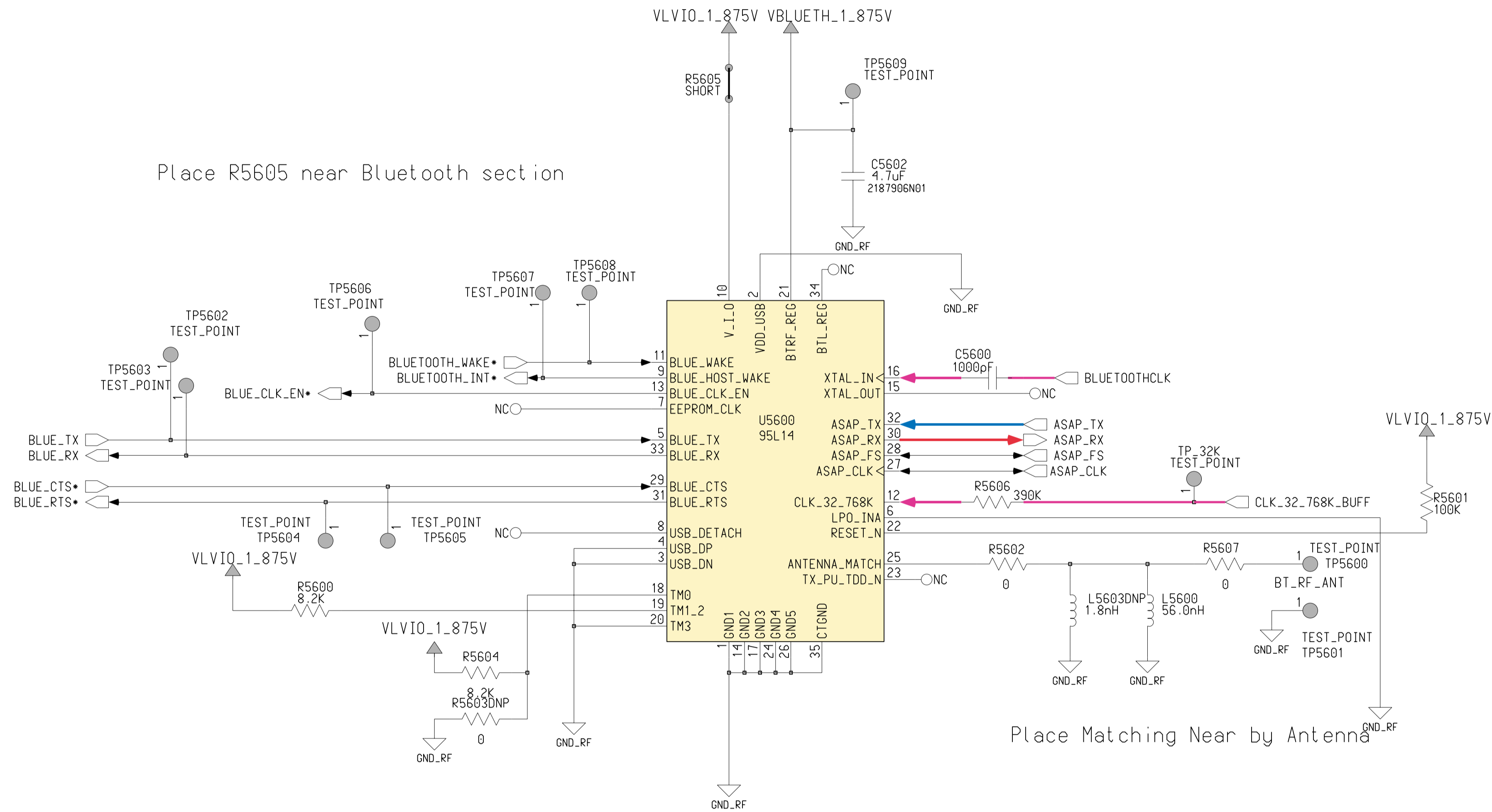




Plot Scale = 0.8

Engineer: Bok Koh & Chuck Farago	MOTOROLA INC.		
Drawn by: John Kerr, Bok K. & Chuck F.			
R&D CHK:	TITLE: Talon Integrated Power and Audio	Size:	
DOC CTRL CHK:	REV: Drawing Number:	Page:	OF:
MFG CTRL CHK:	Date: 5/3/02	Time:	
QA CHK:	Changed by: Amanda H. & David D.	Time:	1:36:56 pm

Engineer: Dave Stubbs	MOTOROLA INC.		
Drawn by:	TITLE: TALON Integrated Bluetooth		Size:
R&D CHK:	REV:	Drawing Number:	Page:
DOC CTRL CHK:	Date: February 24, 2003		Of:
MFG CTRL CHK:	Date:		Time:
QA CHK:	Date:		Time:
Changed by: Dave Suarez	Date: February 24, 2003		Time:



A

B

C

D

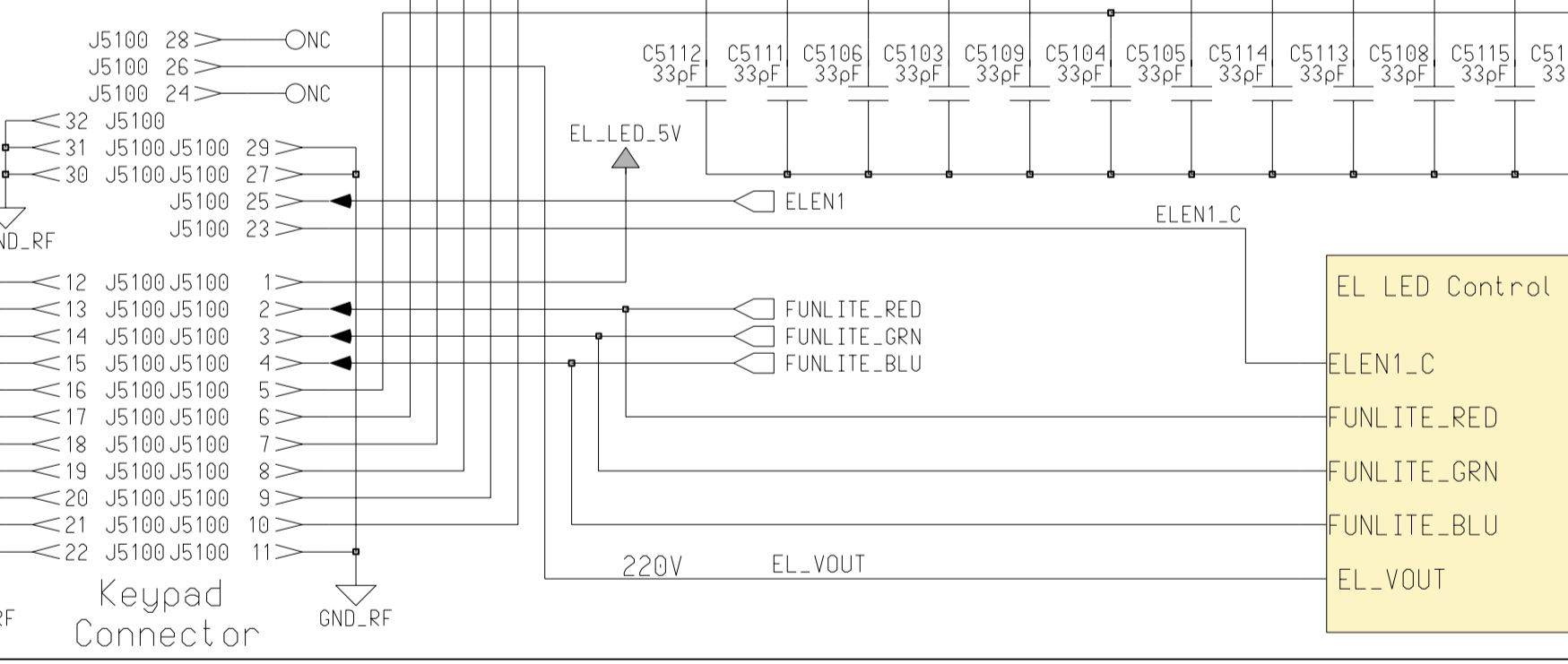
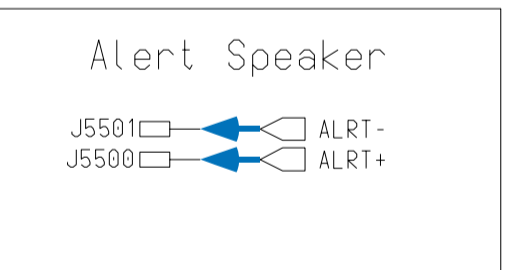
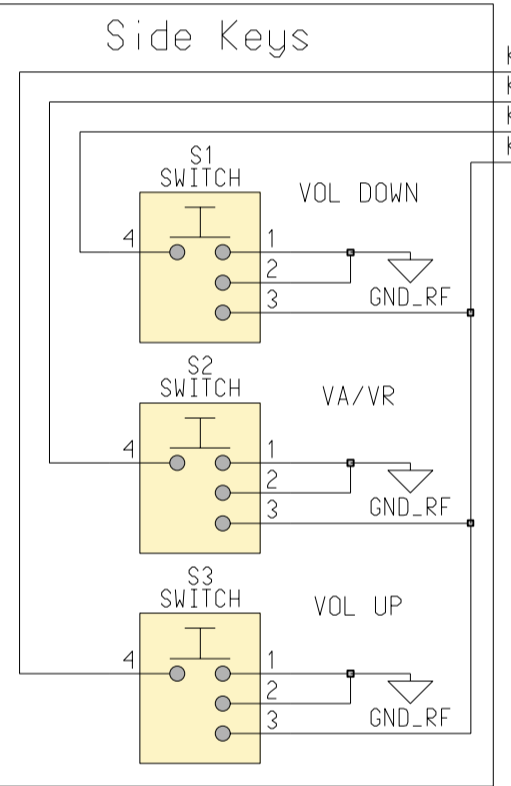
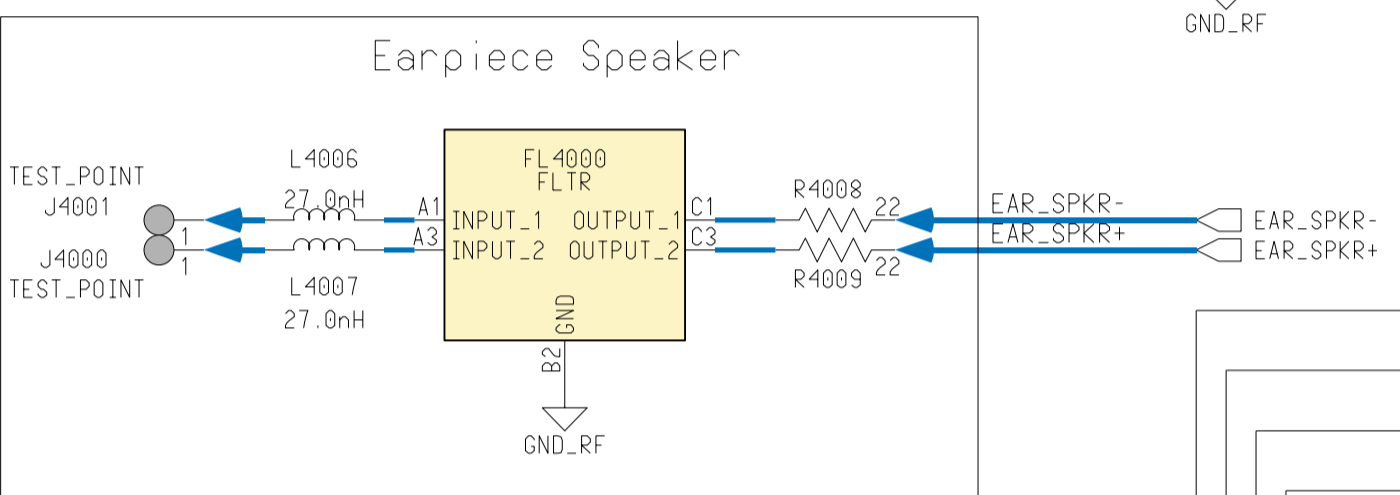
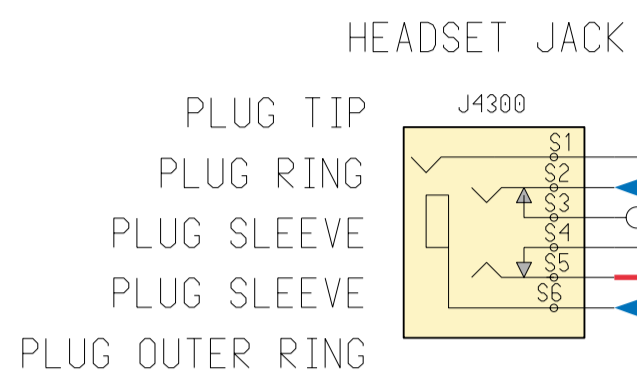
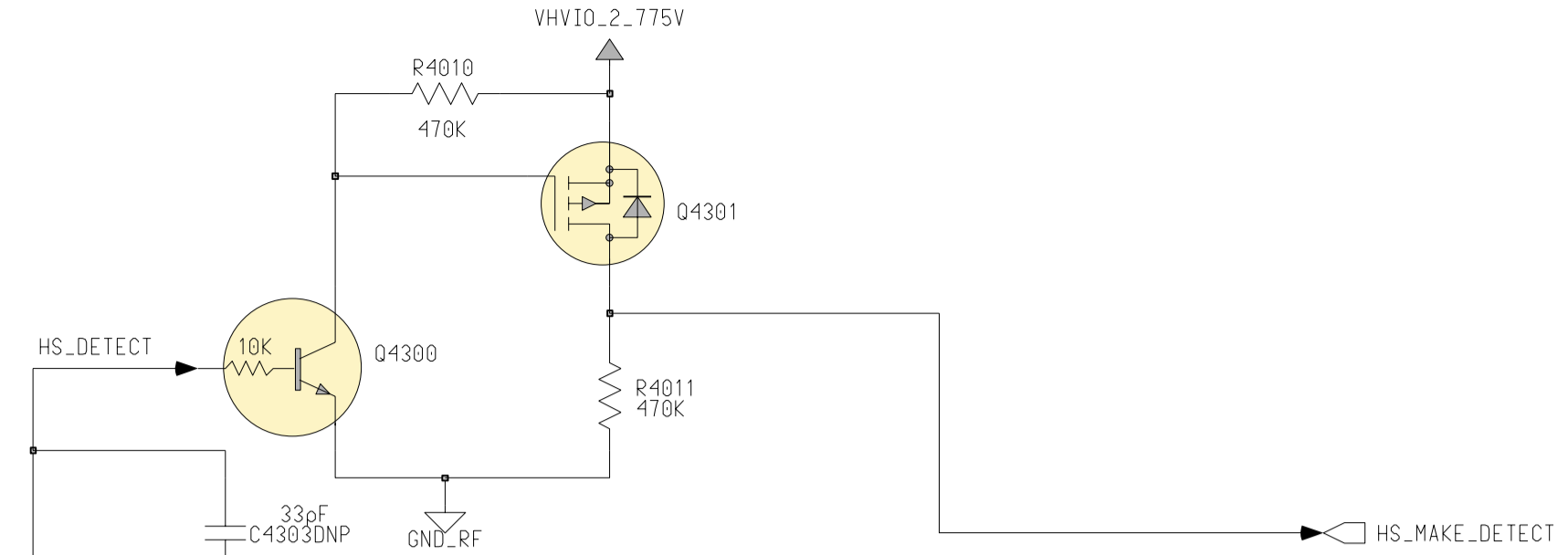
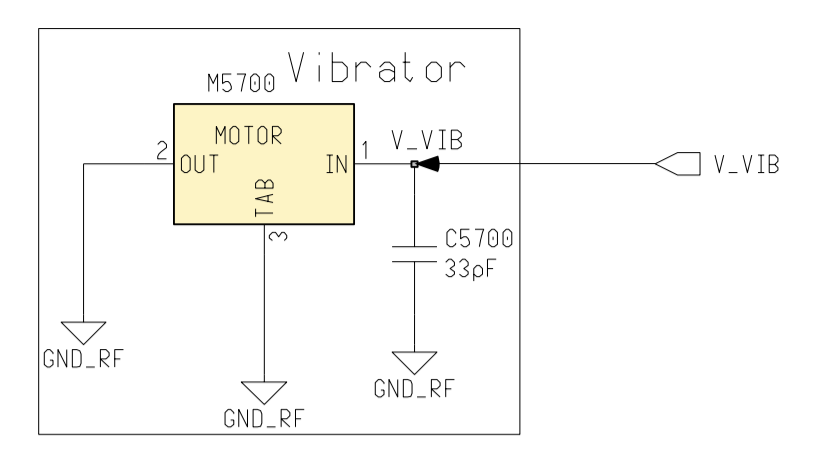
Engineer: Ed Naddeo	TITLE: TALON INTEGRATED Misc Connectors		Size: 11x21
Drawn by: Ed Naddeo	REV: 1	Drawing Number:	Page 1
R&D CHK:	MFG CTRL CHK:		Of: 1
QA CHK:	Date: Monday, April 23, 2001	Time: 11:27:59 am	

A

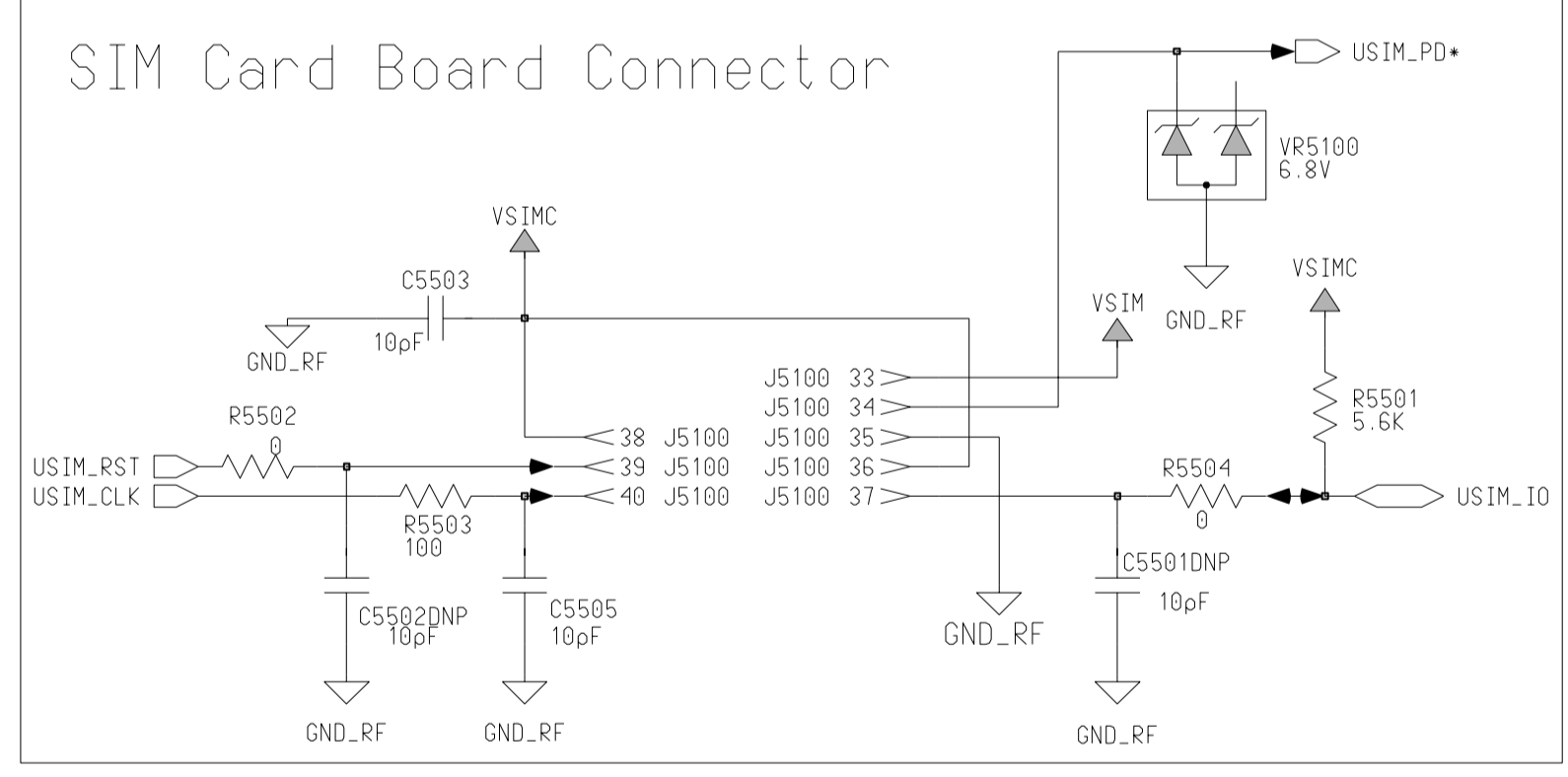
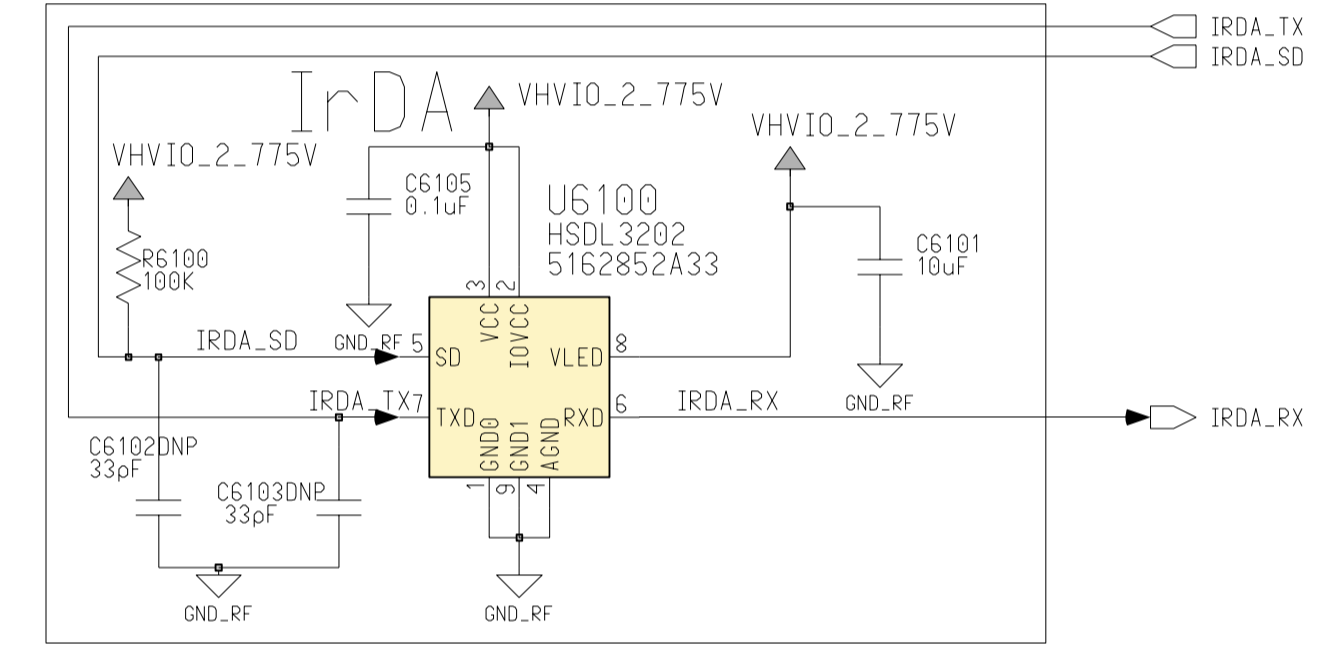
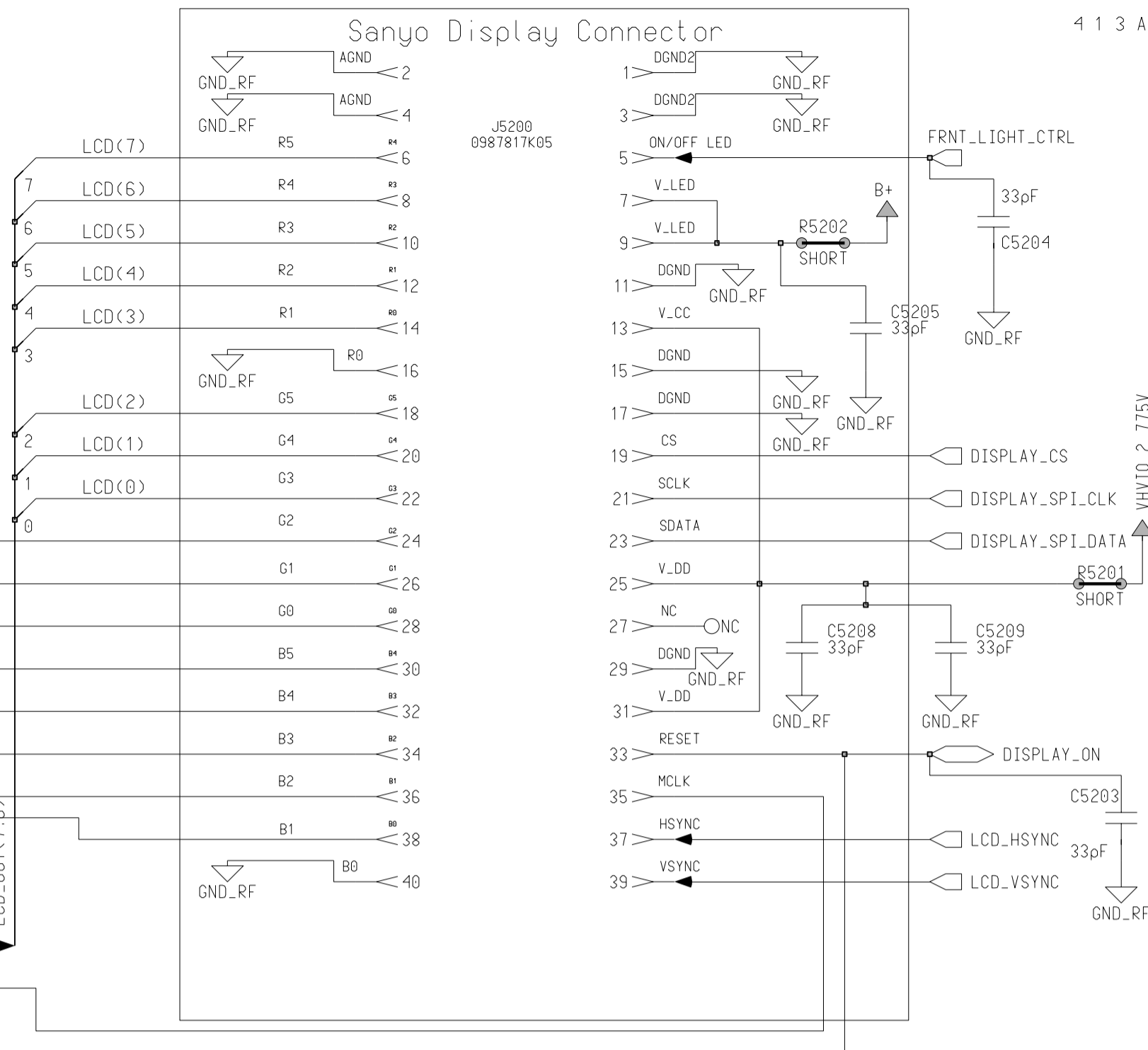
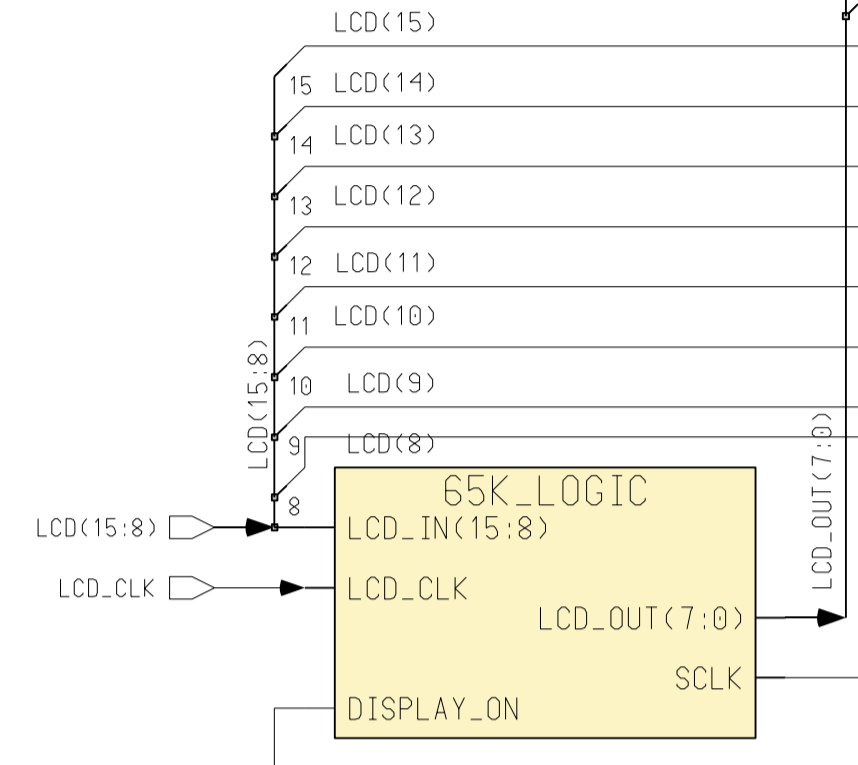
B

C

D



Display Bezel U-clips

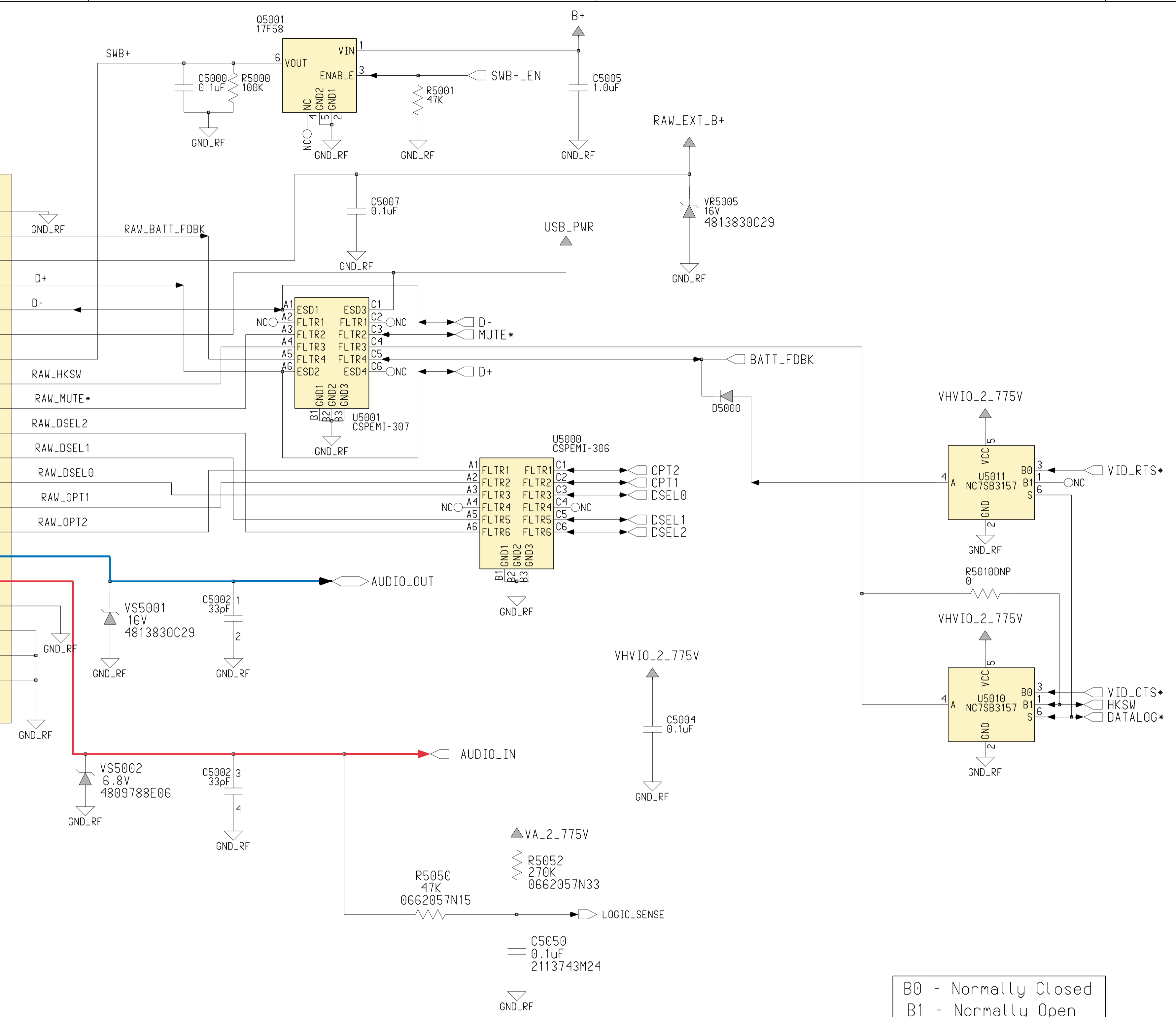


MOTOROLA CONFIDENTIAL PROPRIETARY

Accessory Connector CE Connector (0987636K05)

J5000

- 1 BATT_FDBK
- 2 EXT_B+
- 3 D+ / TXD / TDO
- 4 D- / RXD / TDI
- 5 USB_PWR / IGN / SEND_END / RTS / RESET_IN
- 6 SWB+
- 7 HKSW / FM_DATA / CTS / DE_B
- 8 MUTE* / FS / DCD
- 9 DSEL2 / SCK / RI / TCK
- 10 DSEL1 / FM_CLOCK / SRDA / DTR / TMS
- 11 DSEL0 / FM_EN / STDA / DSR / TRST_B
- 12 OPTION1
- 13 OPTION2
- 14 AUDIO_OUT / 12V Flash / 8V JTAG
- 15 AUDIO_IN
- 16
- 17
- 18
- 19
- 20



B0 - Normally Closed
B1 - Normally Open
S - Select
A - Common

Engineer: Jennifer Seymour	MOTOROLA INC.		
Drawn by:	TITLE: TALON Integrated CE Accessory Connector		
R&D CHK:	REV:	Drawing Number:	Page:
DOC CTRL CHK:	REV:	Drawing Number:	Page:
MFG CTRL CHK:	REV:	Drawing Number:	Page:
QA CHK:	REV:	Drawing Number:	Page:
Changed by: Ed Naddeo	Date: 4/3/02	Page:	Of:

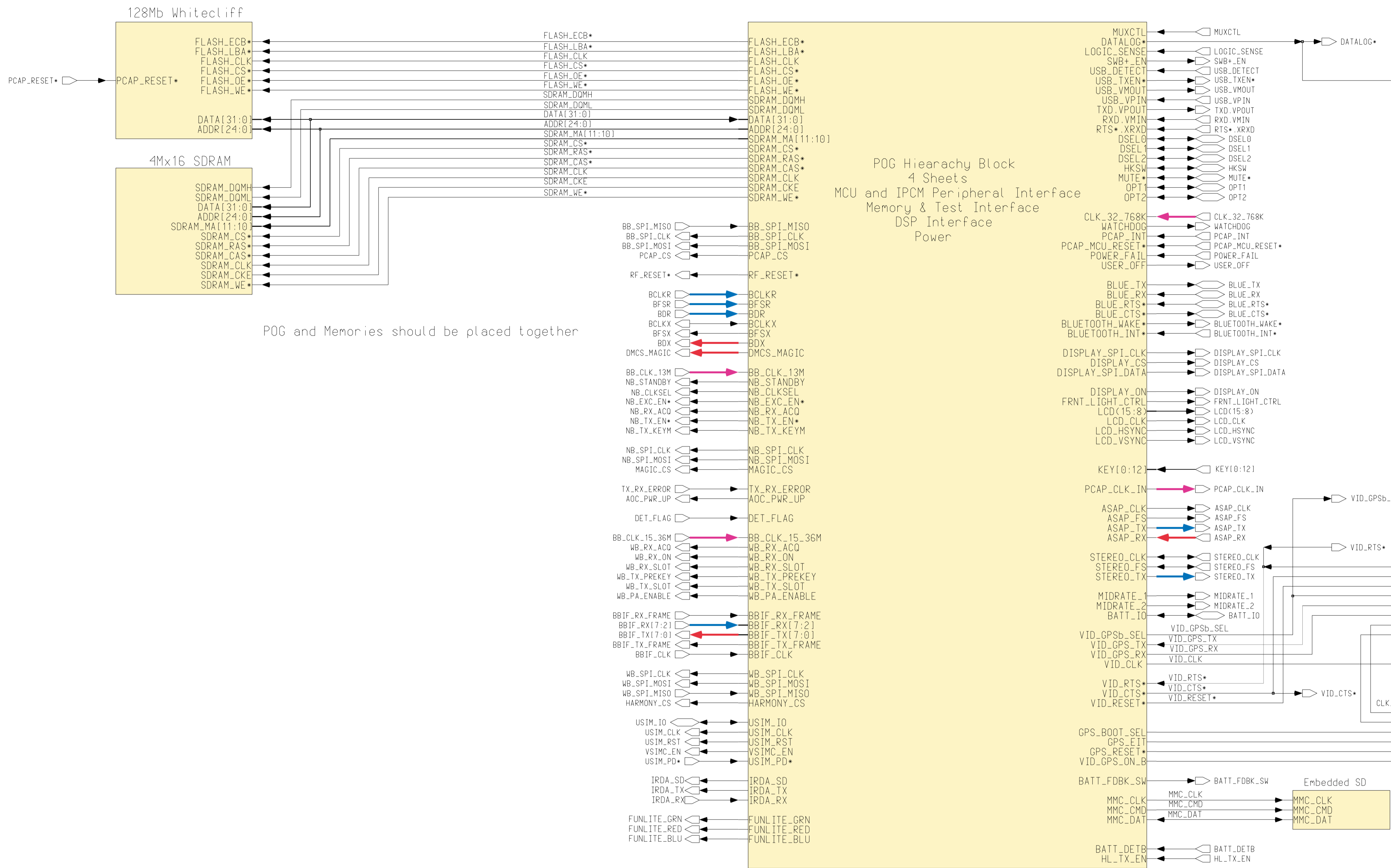
A

B

C

D

Engineer: Ed Naddeo	TITLE: Talon Integrated Core Logic		Size: 11x21
Drawn by: Ed Naddeo			
R&D CHK:			
DOC CTRL CHK:			
MFG CTRL CHK:			
QA CHK:	REV: 1.0	Drawing Number: 848888888	Page: 1
Changed by: wlen01	Date: Friday, March 1, 2002	Time: 1:16:44 pm	



POG and Memories should be placed together

VIDEO

GPS

Embedded SD

A
B
C
D

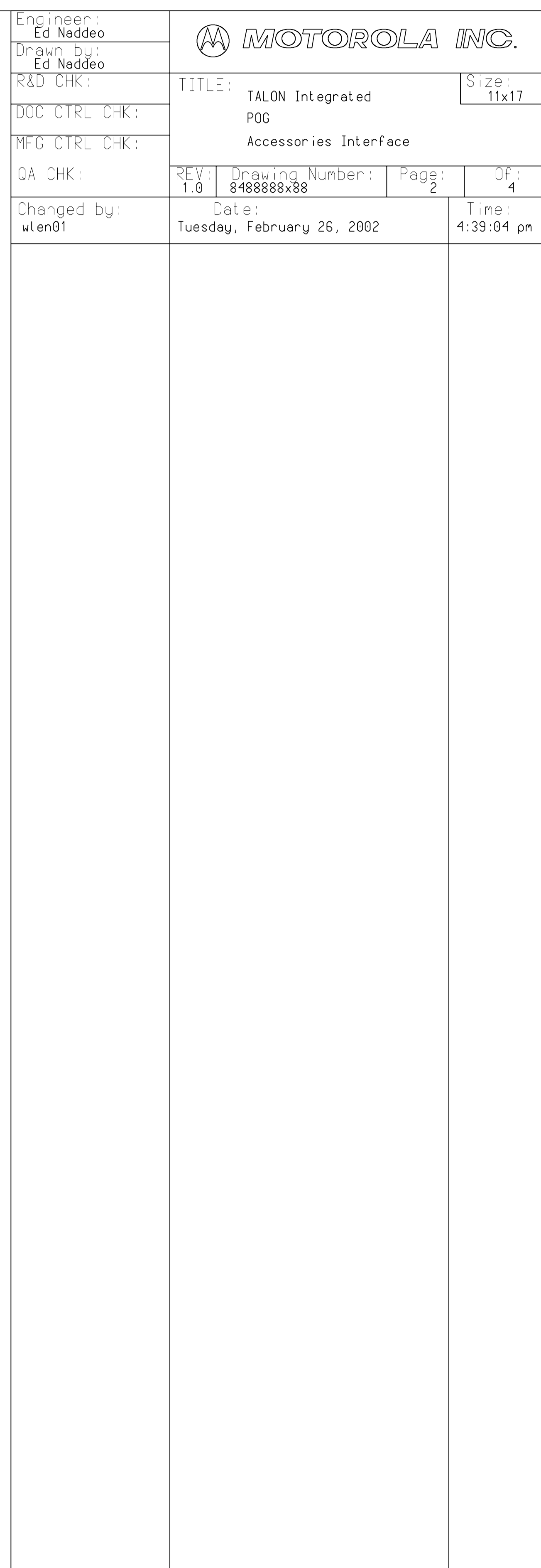
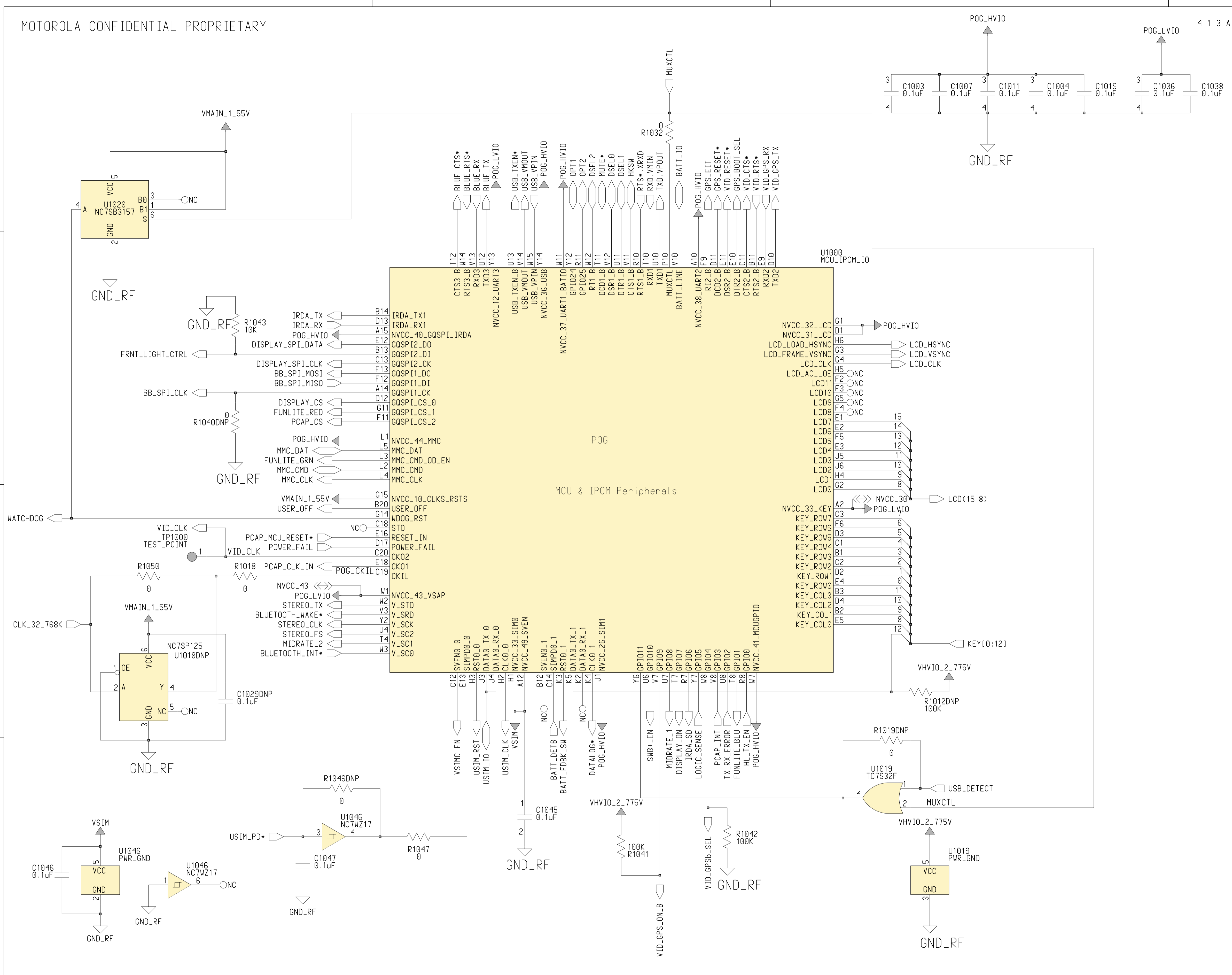
Engineer: Ed Naddeo	TITLE: TALON Integrated			Size: 11x17
Drawn by: Ed Naddeo	POG			
R&D CHK:	Accessories Interface			
DOC CTRL CHK:	REV: 1.0	Drawing Number: 8488888x88	Page: 2	Of: 4
MFG CTRL CHK:	Date: Tuesday, February 26, 2002			Time: 4:39:04 pm
QA CHK:	Changed by: wlen01			

A

B

C

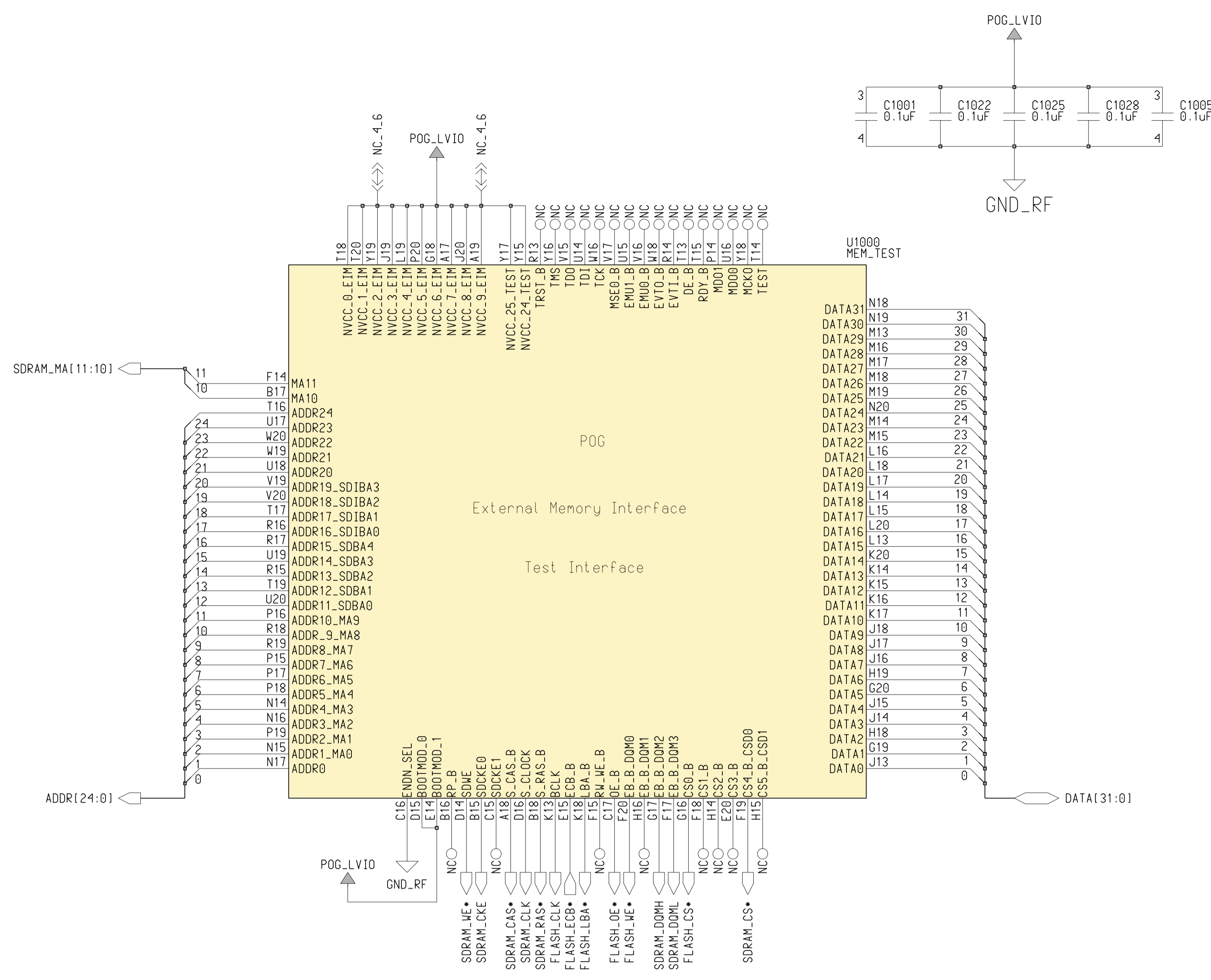
D



Engineer:
Ed Naddeo
 Drawn by:
Ed Naddeo
 R&D CHK:
 DOC CTRL CHK:
 MFG CTRL CHK:
 QA CHK:



TITLE: Talon Integrated
POG
Memory and Test Interface
 Size: 11x17
 REV: 1.0 Drawing Number: 848888x88 Page: 3 Of: 4
 Date: Tuesday, February 26, 2002 Time: 6:15:09 pm




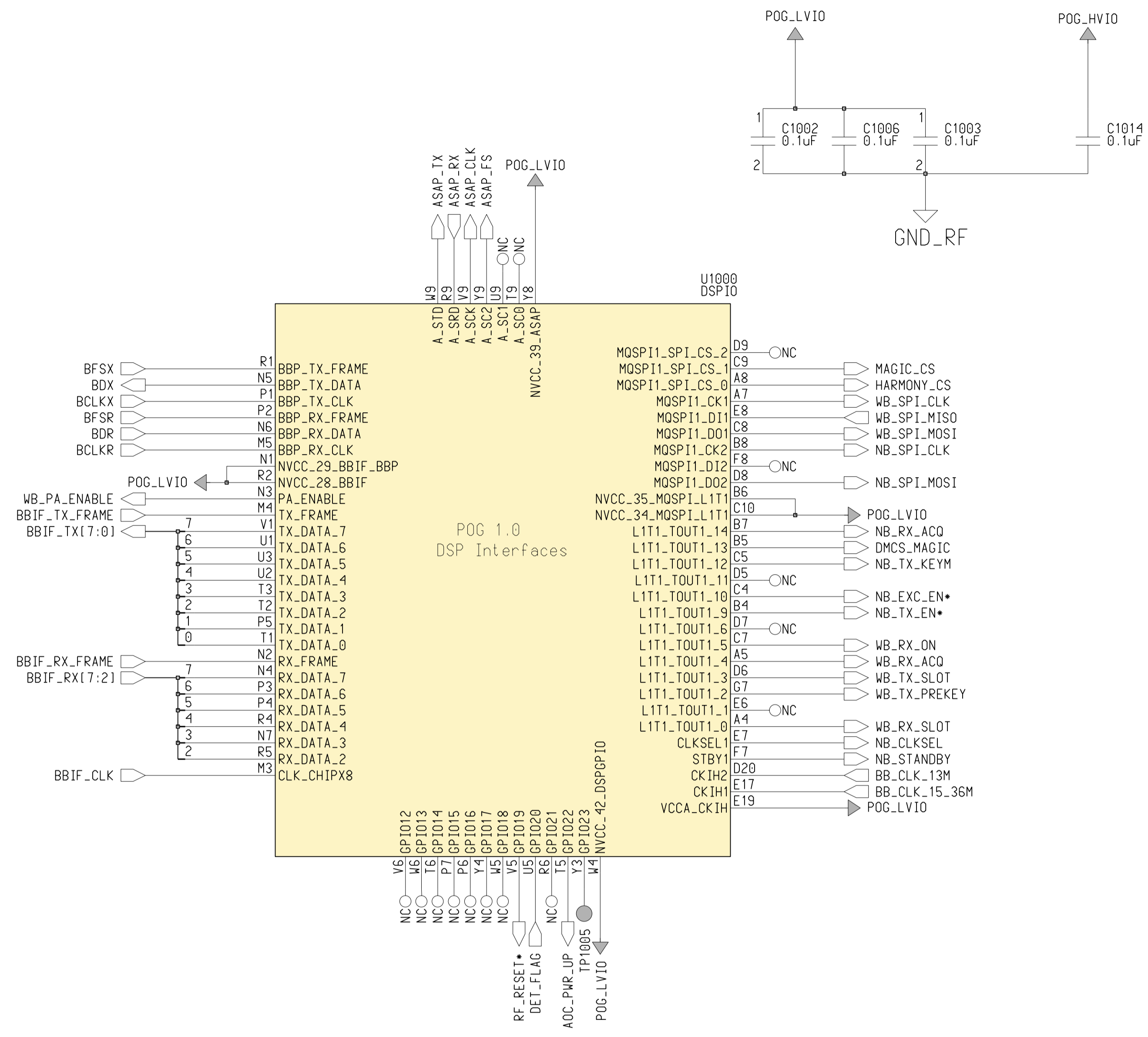
A

B

C

D

Engineer: Ed Naddeo	 MOTOROLA INC.		
Drawn by: Ed Naddeo			
R&D CHK:	TITLE: Talon Integrated	Size: 11x17	
DOC CTRL CHK:	POG		
MFG CTRL CHK:	DSP Interface		
QA CHK:	REV: 1.0	Drawing Number: 848888x88	Page: 4
Changed by: wlen01	Date: Tuesday, February 26, 2002	Time: 6:16:44 pm	



MOTOROLA CONFIDENTIAL PROPRIETARY

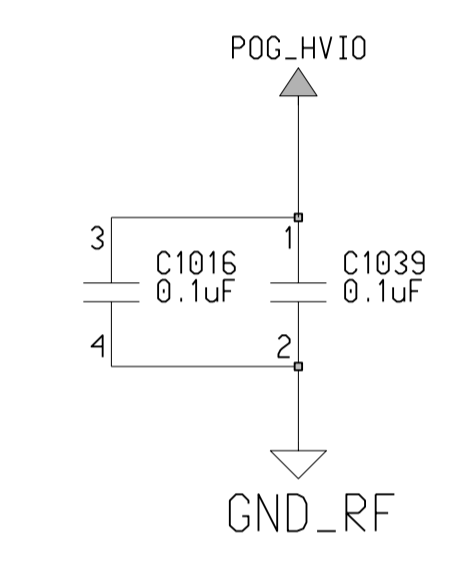
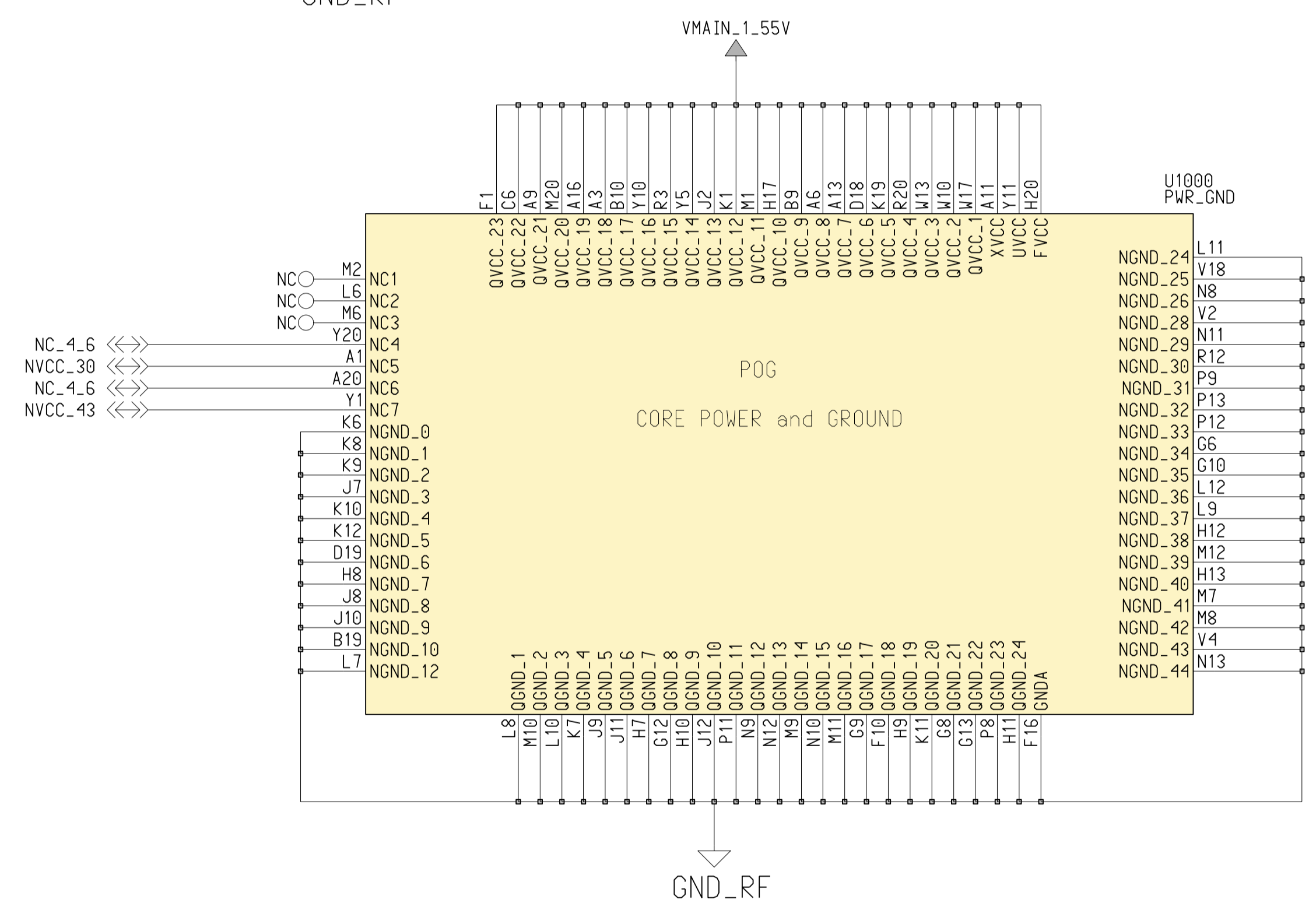
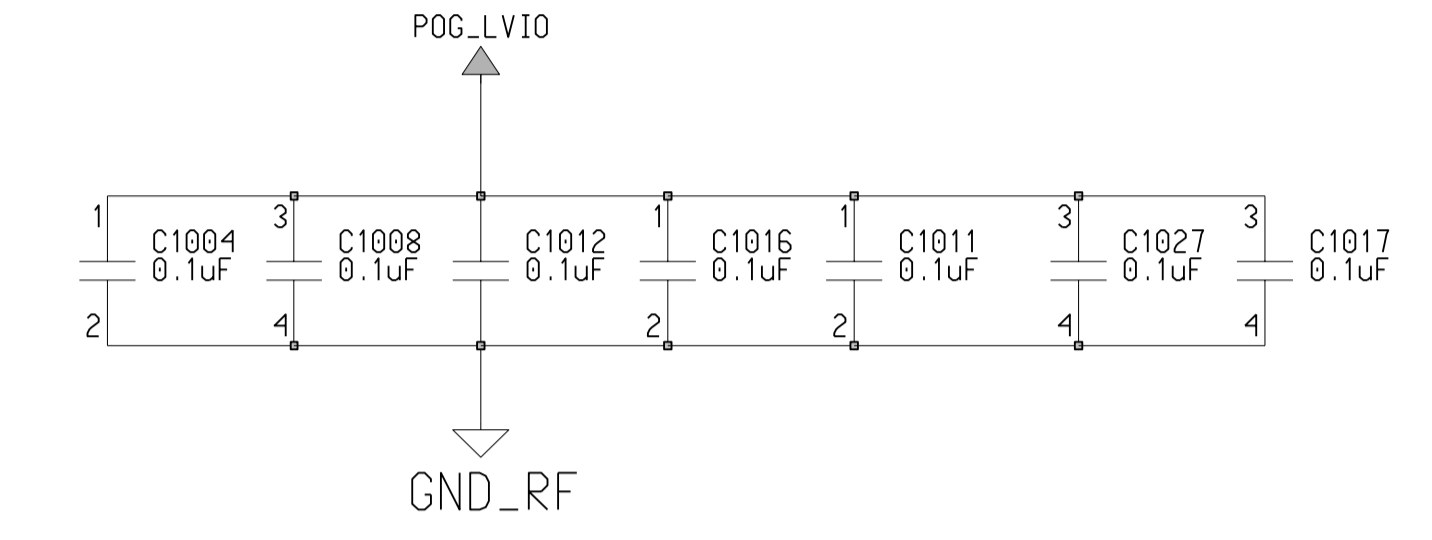
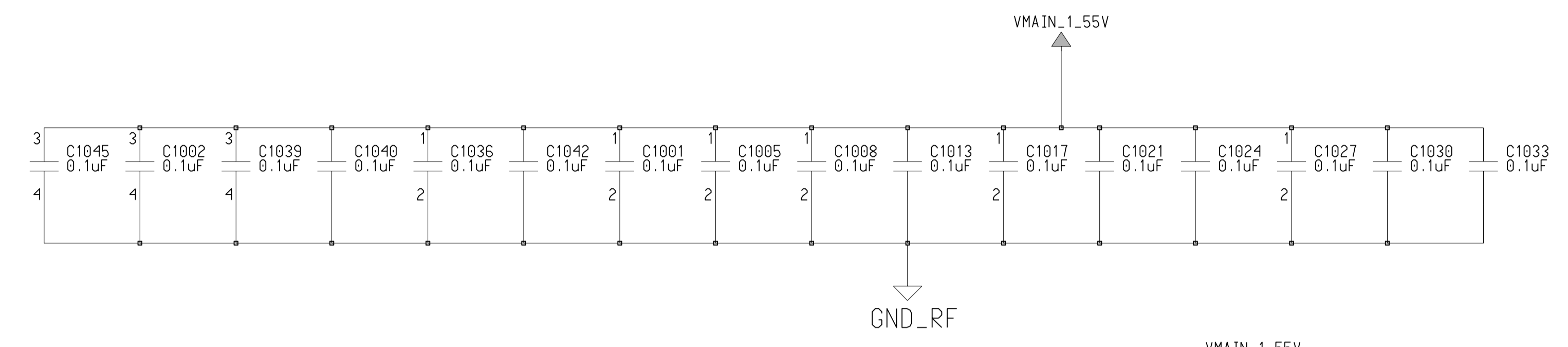
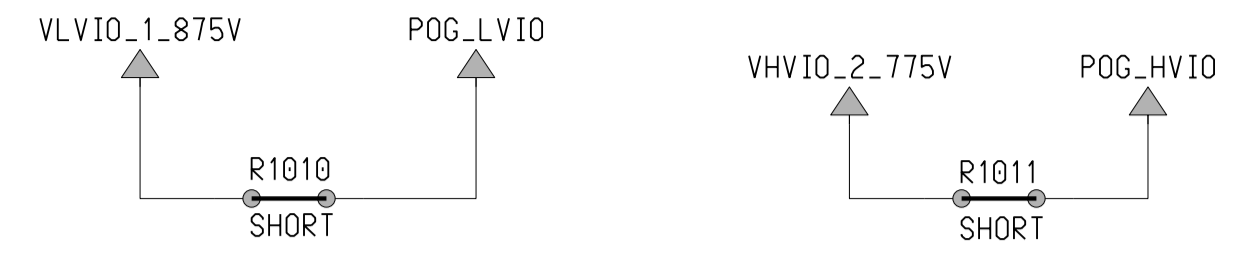
4 1 3 A

Engineer:
Ed Naddeo
Drawn by:
Ed Naddeo
R&D CHK:
DOC CTRL CHK:
MFG CTRL CHK:
QA CHK:



TITLE: Talon Integrated
POG
Power
REV: 1
Drawing Number: 8488888x88
Page: 1
Of: 4

Changed by: wlen01
Date: Tuesday, February 26, 2002
Time: 2:56:17 pm

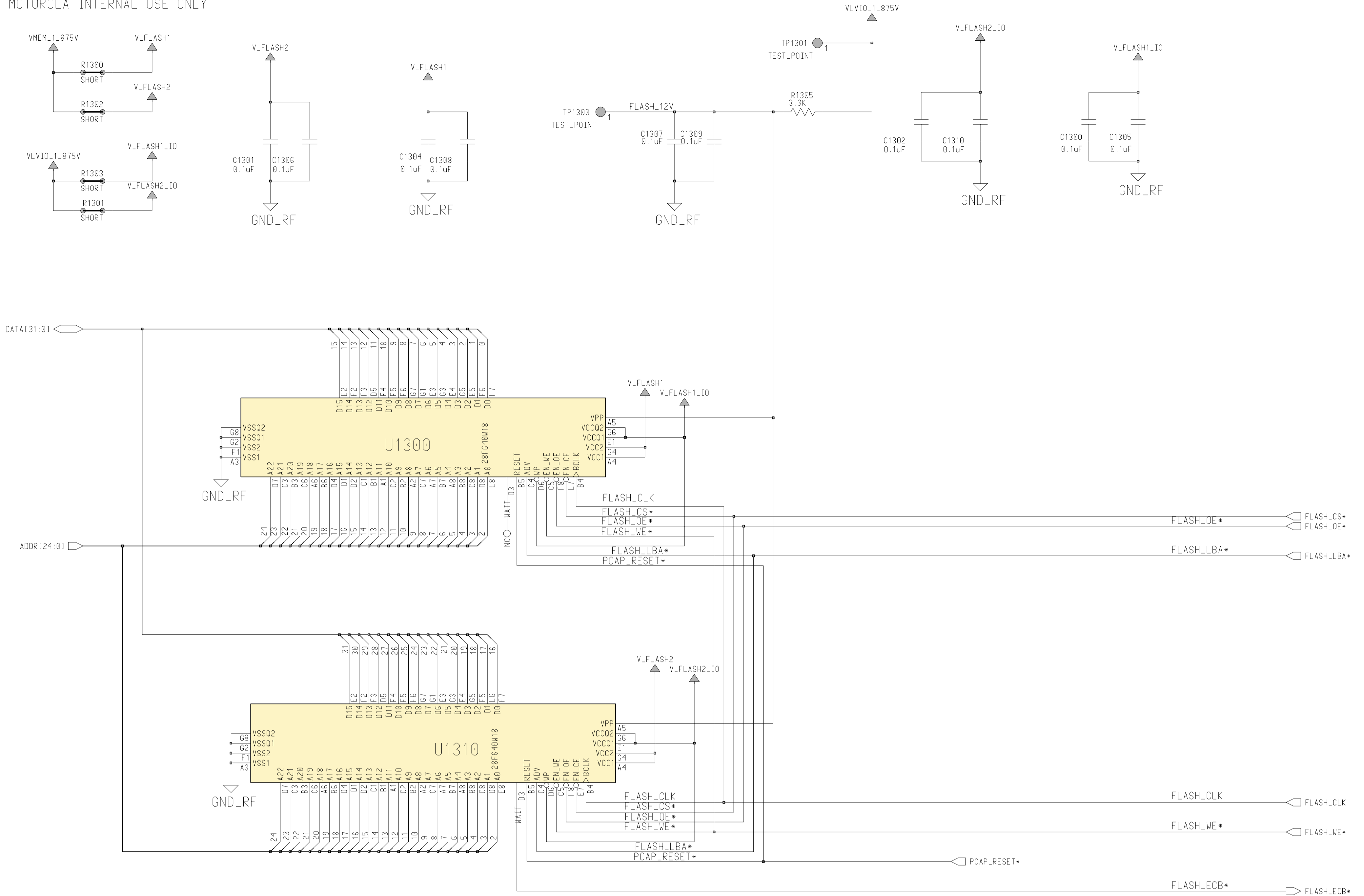


MOTOROLA INTERNAL USE ONLY

4 1 3 A



Engineer: Ed Naddeo	TITLE: Talon Integrated Flash Memory			Size: 11x21
Drawn by: Ed Naddeo	REV: 0.1			Page: 1
R&D CHK:	Drawing Number:			Of: 1
DOC CTRL CHK:	Date: Monday, May 6, 2002			Time: 9:32:29 am
MFG CTRL CHK:	Changed by: Chris Pipe			
QA CHK:				



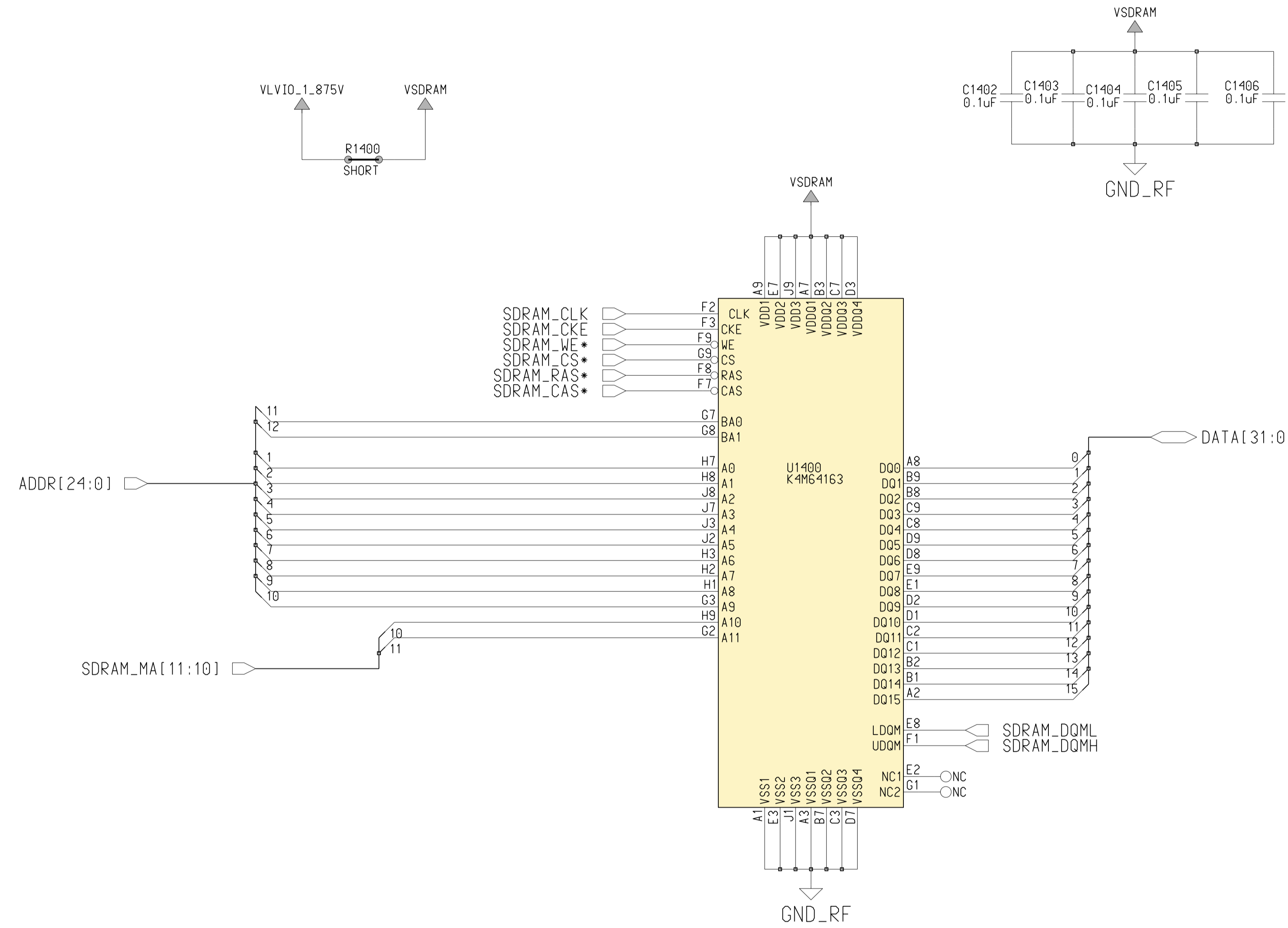
Engineer:
Ed Naddeo
 Drawn by:
Ed Naddeo
 R&D CHK:
 DOC CTRL CHK:
 MFG CTRL CHK:
 QA CHK:



TITLE: Talon Integrated
4Mx16 SDRAM
 Size: 11x17

REV: 1.0 Drawing Number: 8488888x88 Page: 1 Of: 1

Changed by: wlen01 Date: Friday, March 1, 2002 Time: 3:37:06 pm



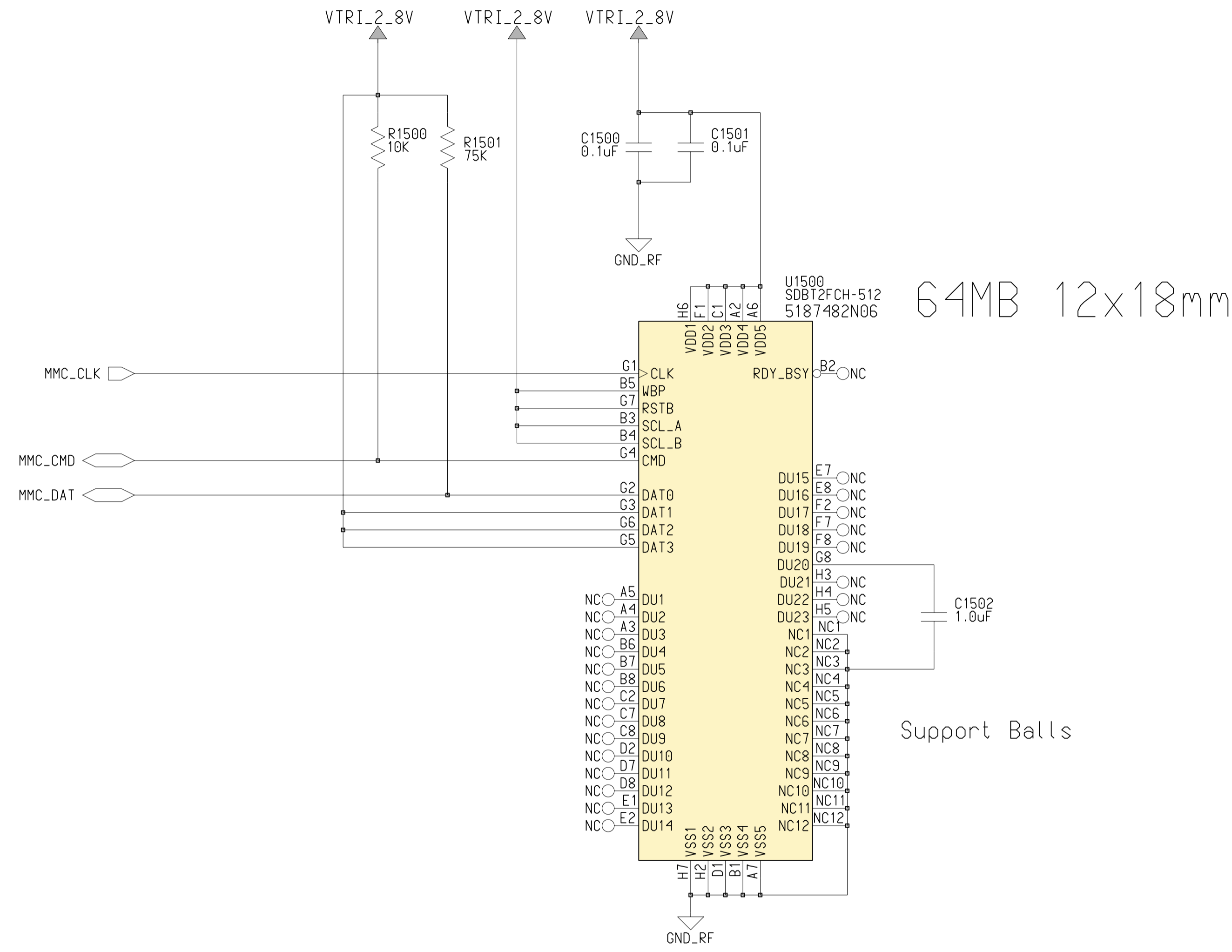
Engineer:
Ed Naddeo
 Drawn by:
Ed Naddeo
 R&D CHK:
 DOC CTRL CHK:
 MFG CTRL CHK:
 QA CHK:



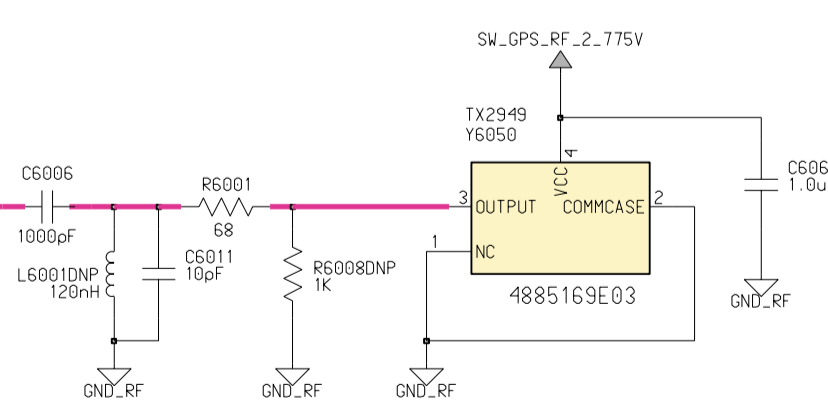
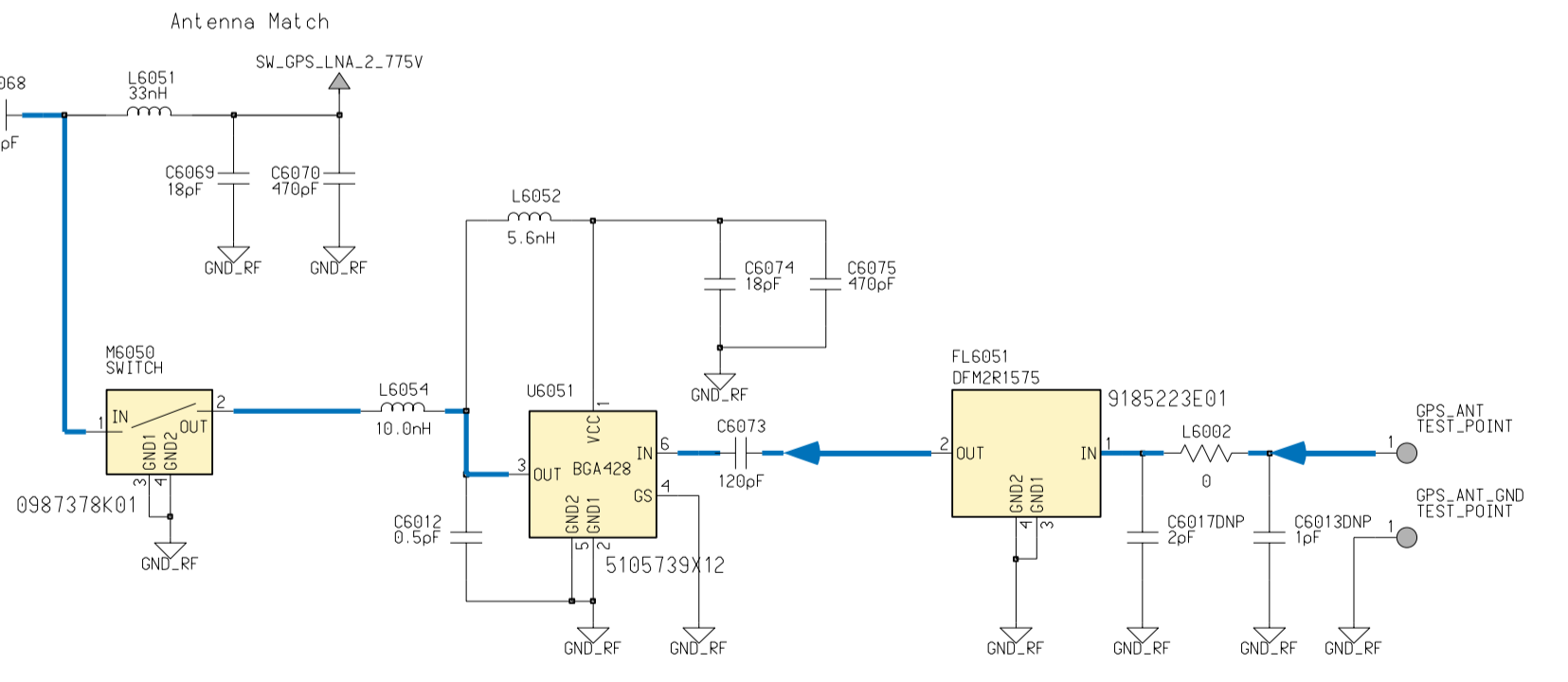
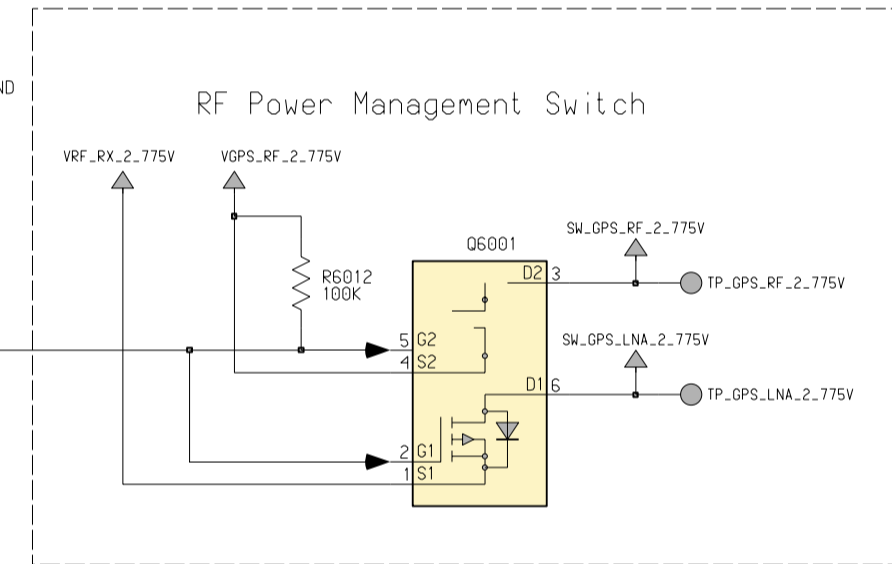
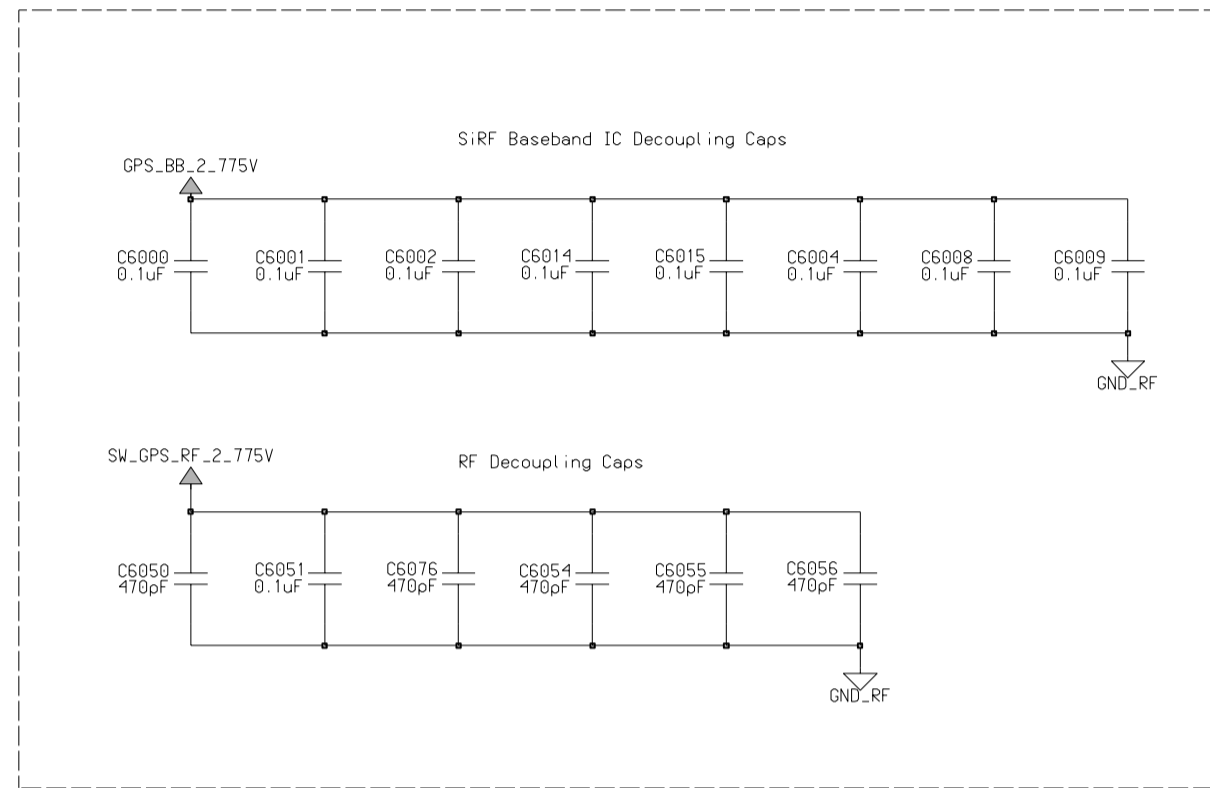
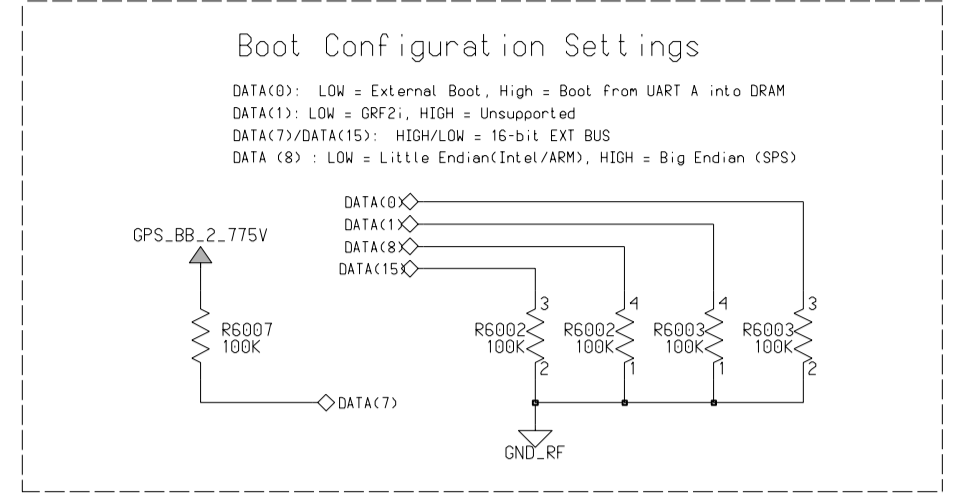
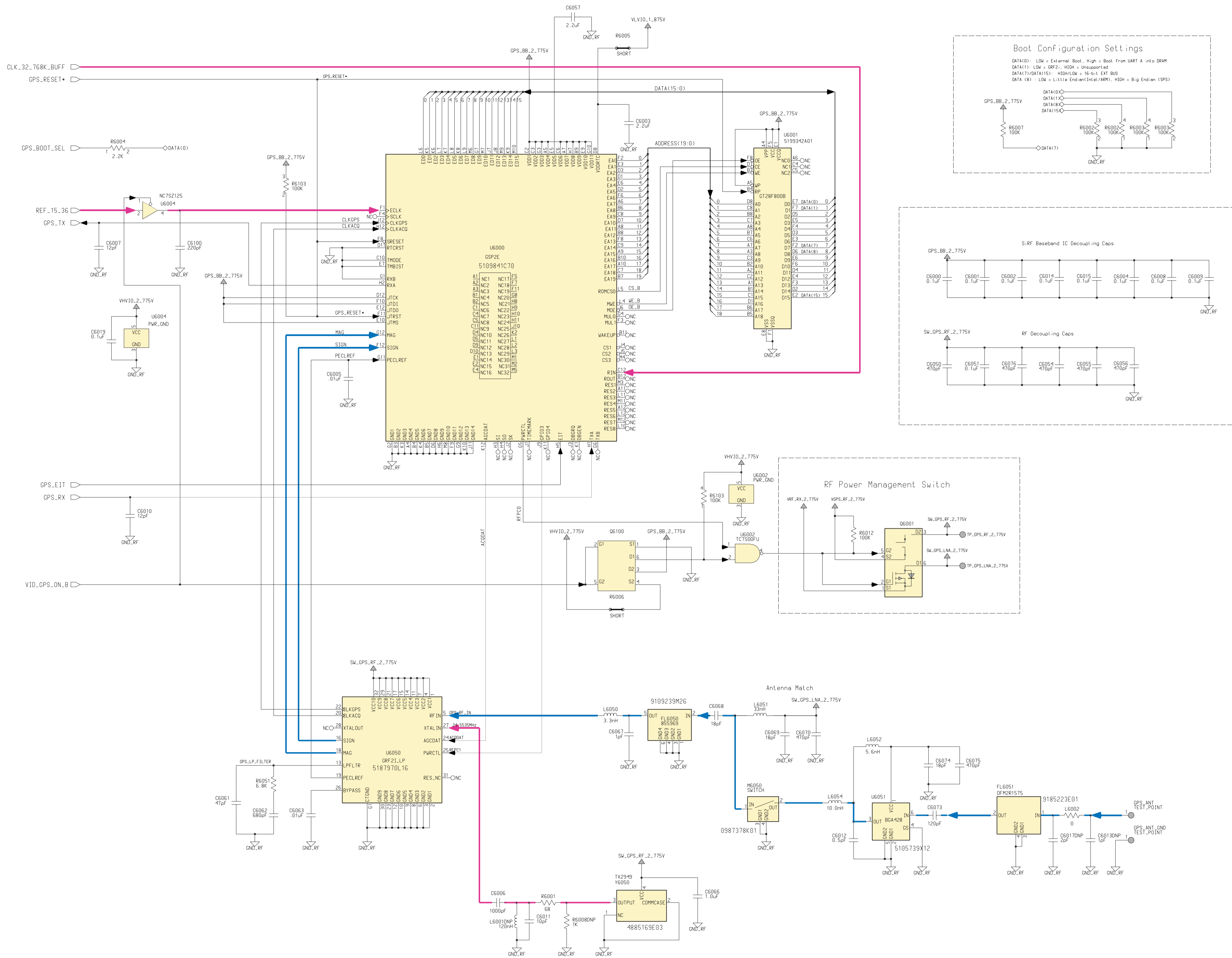
TITLE: Talon Integrated Embedded SD Flash
 Size: 11x17

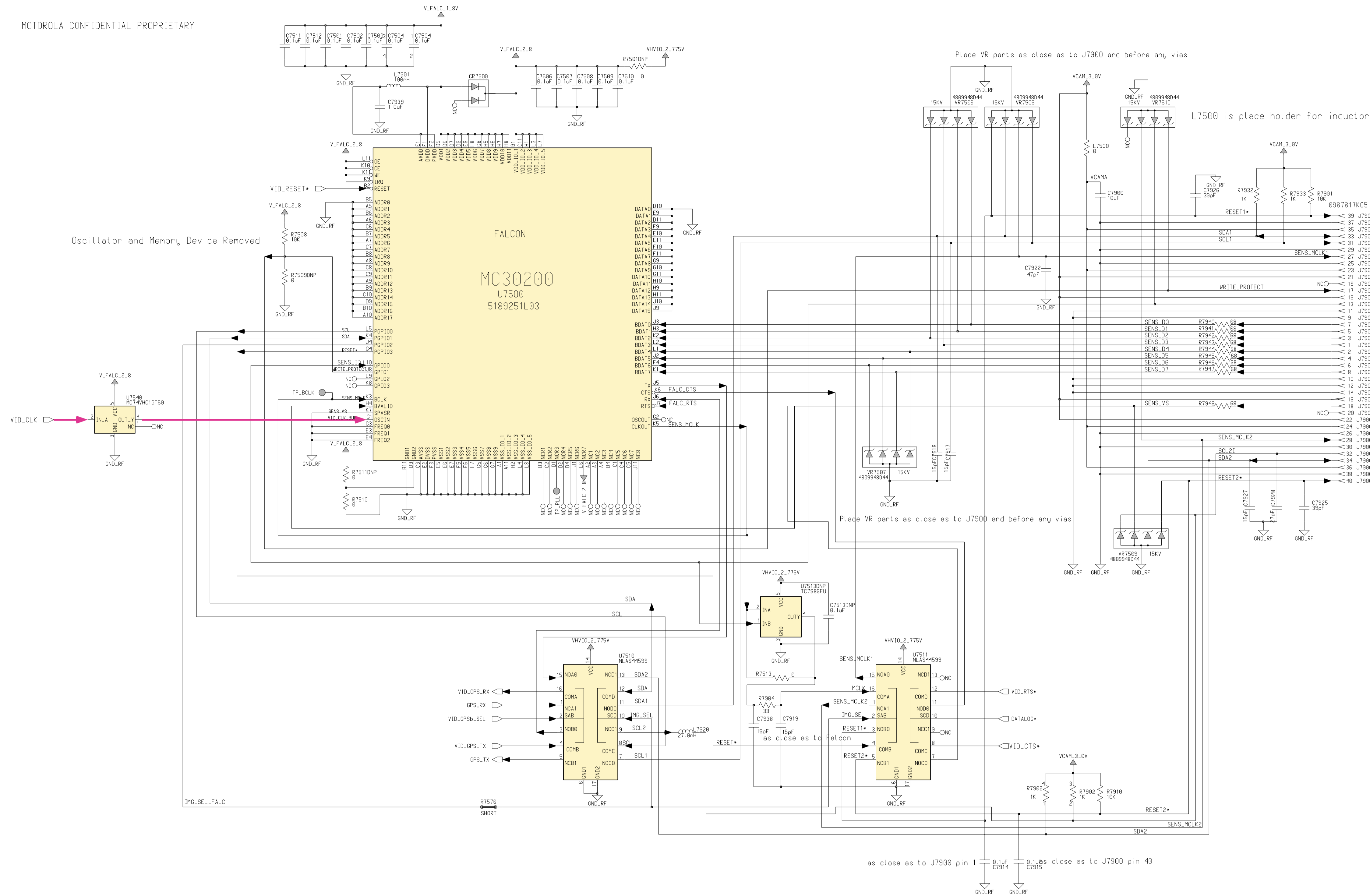
REV: 1.0 Drawing Number: 84888888x88 Page: 1 Of: 1

Changed by: Chris Pipe Date: Friday, May 3, 2002 Time: 1:25:03 pm



Engineer: J. Abe Keane	MOTOROLA INC.	
DRWn: J. Abe Keane	TITLE: TALON Integrated GPS Block	Size:
DOC CHK:	REV: Drawing Number:	Page: Of:
W/B CTRL CHK:	REV: Drawing Number:	Page: Of:
QA CHK:	REV: Drawing Number:	Page: Of:
Changed by: J. Abe Keane	Date: Monday, September 11, 2001	Time: 10:21:35 am





Sensor Connector
Molex 54722-0308

Oscillator and Memory Device Removed

Place VR parts as close as to J7900 and before any vias

L7500 is place holder for inductor

Place VR parts as close as to J7900 and before any vias

as close as to J7900 pin 1 0.1uF C7914 0.1uF close as to J7900 pin 40 C7915

