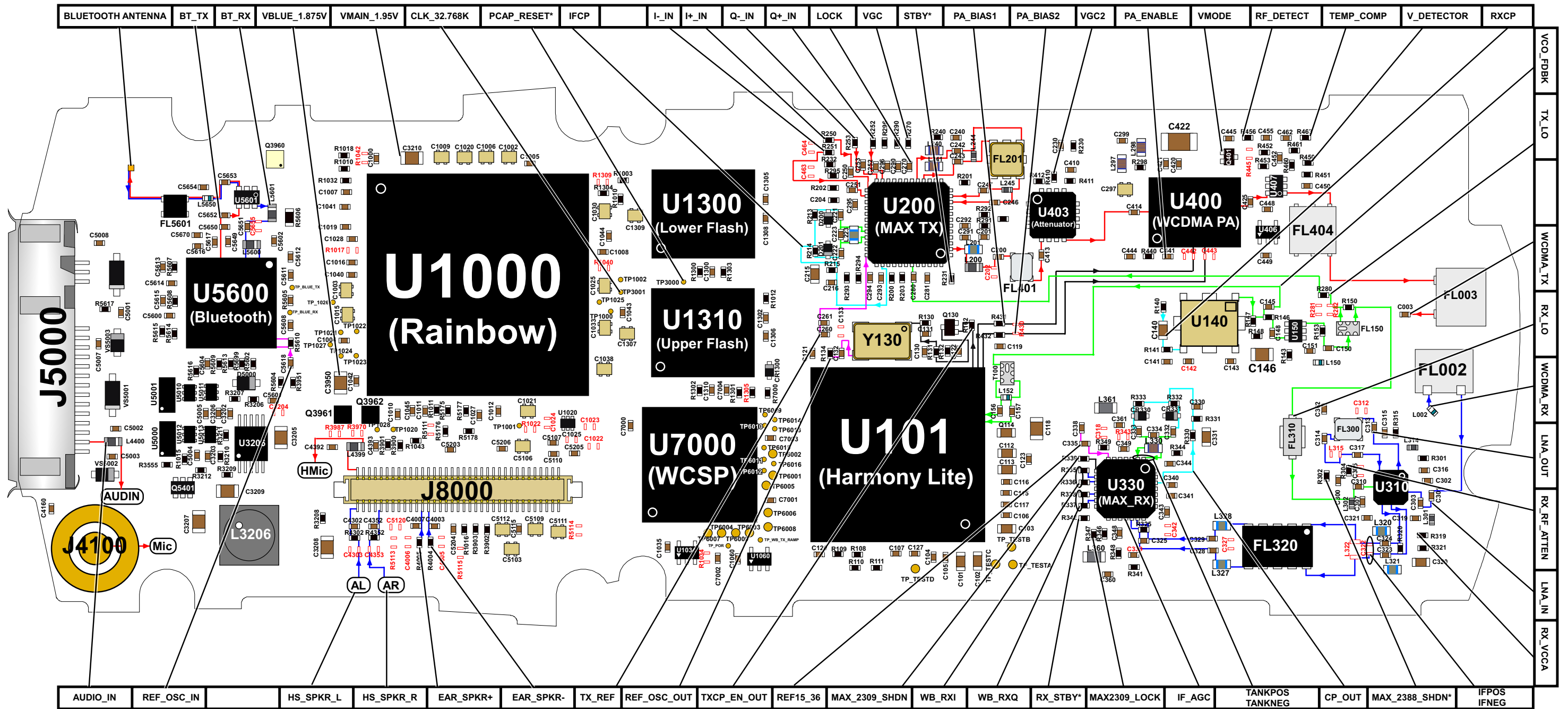




# A830: Side 2 Signal Diagram (Issue O Build)



Board: 8488180M12

