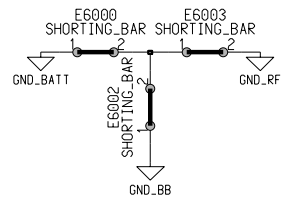


Baseband

RF

BB_CLK_15_36M	BB_CLK_15_36M	BB_CLK_15_36M
TEMP_SENSE	TEMP_SENSE	TEMP_SENSE
BBIF_RX_FRM	BBIF_RX_FRAME	BBIF_RX_FRAME
BBIF_TX_FRM	BBIF_TX_FRAME	BBIF_TX_FRAME
BBIF_CLK	BBIF_CLK	BBIF_CLK
BBIF_TX<7:0>	BBIF_TX<7:0>	BBIF_TX<7:0>
BBIF_RX<5:0>	BBIF_RX<5:0>	BBIF_RX<7:2>
TX_RX_ERROR	TX_RX_ERROR	TX_RX_ERROR
HARMONY_CS	HARMONY_CS	HARMONY_CS
WB_SPI_MISO	WB_SPI_MISO	WB_SPI_MISO
WB_SPI_CLK	WB_SPI_CLK	WB_SPI_CLK
WB_SPI_MOSI	WB_SPI_MOSI	WB_SPI_MOSI
RF_RESET*	RF_RESET*	RF_RESET*
BLUE_CLK_EN*	BLUE_CLK_EN*	BLUE_CLK_EN*
WB_RX_ON	WB_RX_ON	WB_RX_ON
WB_TX_RAMP	WB_TX_RAMP	WB_TX_RAMP
WB_RX_ACQ	WB_RX_ACQ	WB_RX_ACQ
WB_TX_SLOT	WB_TX_SLOT	WB_TX_SLOT
WB_RX_SLOT	WB_RX_SLOT	WB_RX_SLOT
AOC_PWR_UP_DOWN	AOC_PWR_UP_DOWN	AOC_PWR_UP_DOWN
WB_TX_PREKEY	WB_TX_PREKEY	WB_TX_PREKEY
NB_RX_ACQ	NB_RX_ACQ	NB_RX_ACQ
NB_TX_KEYM	NB_TX_KEYM	NB_TX_KEYM
NB_TX_EN*	NB_TX_EN*	NB_TX_EN*
NB_EXC_EN*	NB_EXC_EN*	NB_EXC_EN*
DET_FLAG	DET_FLAG	DET_FLAG
AGC_FLAG	AGC_FLAG	AGC_FLAG
CLK_SEL	CLK_SEL	CLK_SEL
MAGIC_CS	MAGIC_CS	MAGIC_CS
NB_SPI_MOSI	NB_SPI_MOSI	NB_SPI_MOSI
NB_SPI_CLK	NB_SPI_CLK	NB_SPI_CLK
DMCS_MAGIC	DMCS_MAGIC	DMCS_MAGIC
BDX	BDX	BDX
BFSR	BFSR	BFSR
BCLKX	BCLKX	BCLKX
BCLKR	BCLKR	BCLKR
BDR	BDR	BDR
BFSX	BFSX	BFSX
BB_CLK_13M	BB_CLK_13M	BB_CLK_13M
REF_OSC_IN	BLUETOOTHCLK	BLUETOOTHCLK
HL_TX_EN	HL_TX_EN	HL_TX_EN

TP6000	1	BBIF_RX_FRAME
TP6001	1	BBIF_TX_FRAME
TP6002	1	BBIF_CLK
TP6003	1	BBIF_RX<5>
TP6004	1	BBIF_RX<4>
TP6005	1	BBIF_RX<3>
TP6006	1	BBIF_RX<2>
TP6007	1	BBIF_RX<1>
TP6008	1	BBIF_RX<0>
TP6009	1	BBIF_TX<7>
TEST_POINT TP6010	1	BBIF_TX<6>
TEST_POINT TP6011	1	BBIF_TX<5>
TEST_POINT TP6012	1	BBIF_TX<4>
TEST_POINT TP6013	1	BBIF_TX<3>
TEST_POINT TP6014	1	BBIF_TX<2>
TEST_POINT TP6015	1	BBIF_TX<1>
TEST_POINT TP6016	1	BBIF_TX<0>
TEST_POINT		



Engineer: John Kerr			
Drawn by: John Kerr			
R&D CHK:	TITLE: Talon	Size: 11x17	
DOC CTRL CHK:	Top Level		
MFG CTRL CHK:	REV:	Drawing Number:	Page:
QA CHK:			Of:
Changed by: Ed Neddeo	Date: February 1, 2001	Time: 10:43:18 am	

MOTOROLA CONFIDENTIAL PROPRIETARY

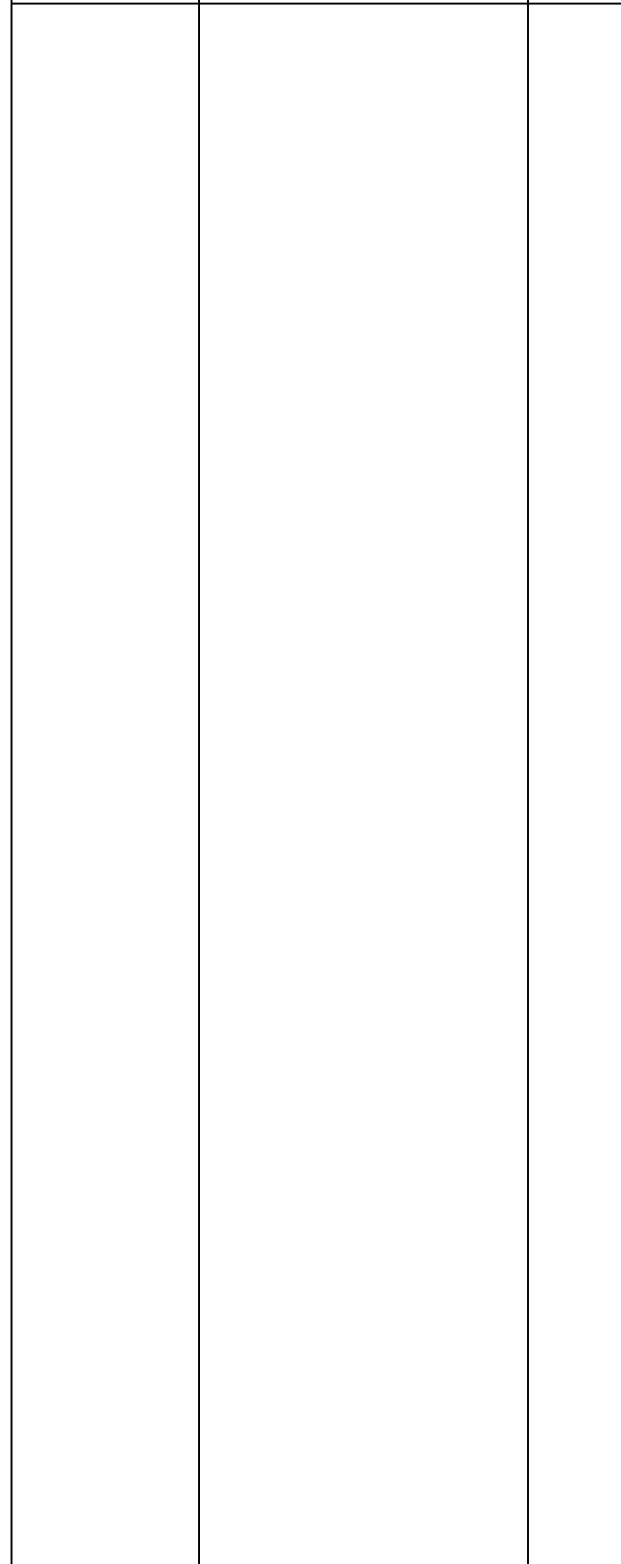
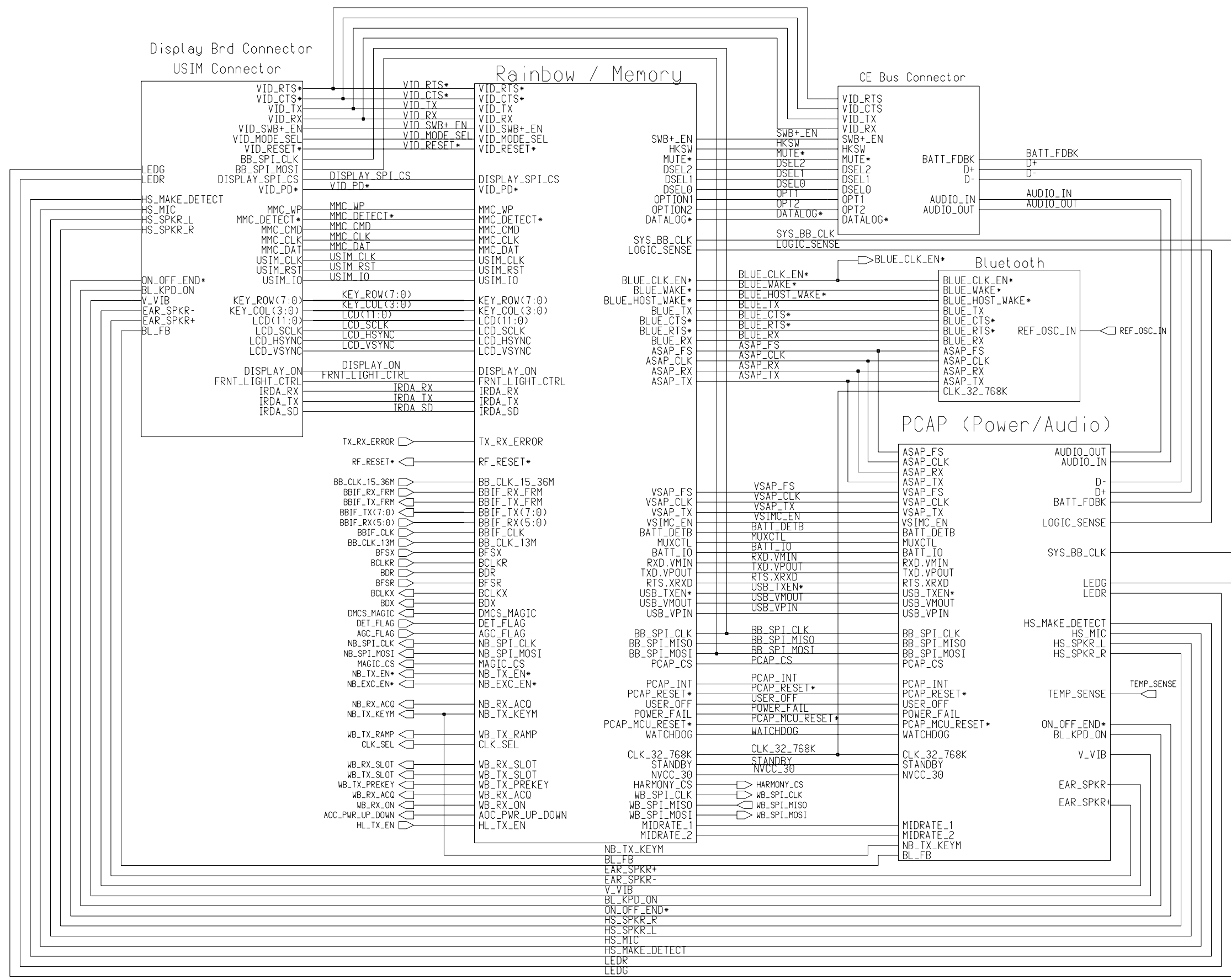
Engineer: John S. Kerr			
Drawn by: Todd Roester			
R&D CHK:	TITLE: Talon	Size: 11x17	
DOC CTRL CHK:	Baseband Top Level		
MFG CTRL CHK:	REV:	Drawing Number:	Page: OF:
QA CHK:	Date: Wednesday, March 14, 2001 Time: 10:39:56 am		
Changed by: Ed Naddeo	All Changes From P8 and beyond will be documented below.		

A

B

C

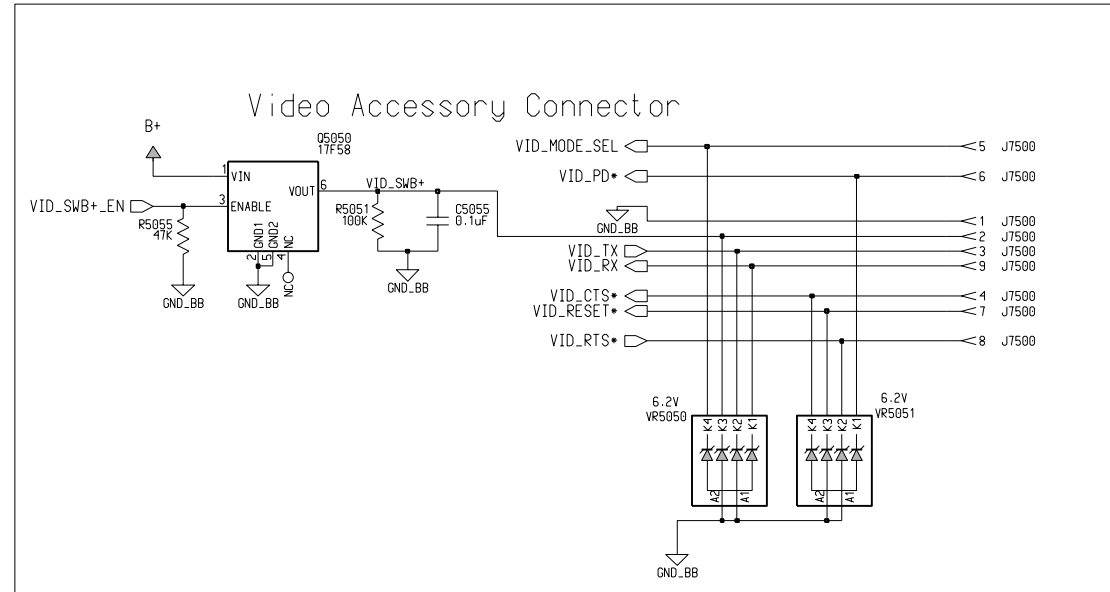
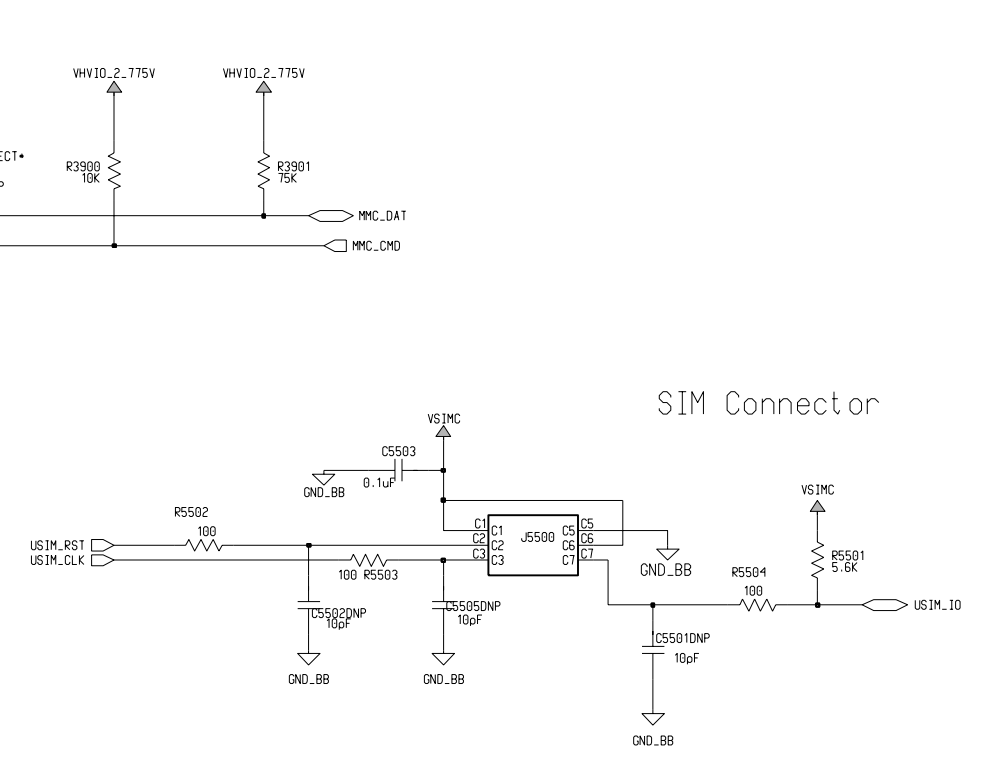
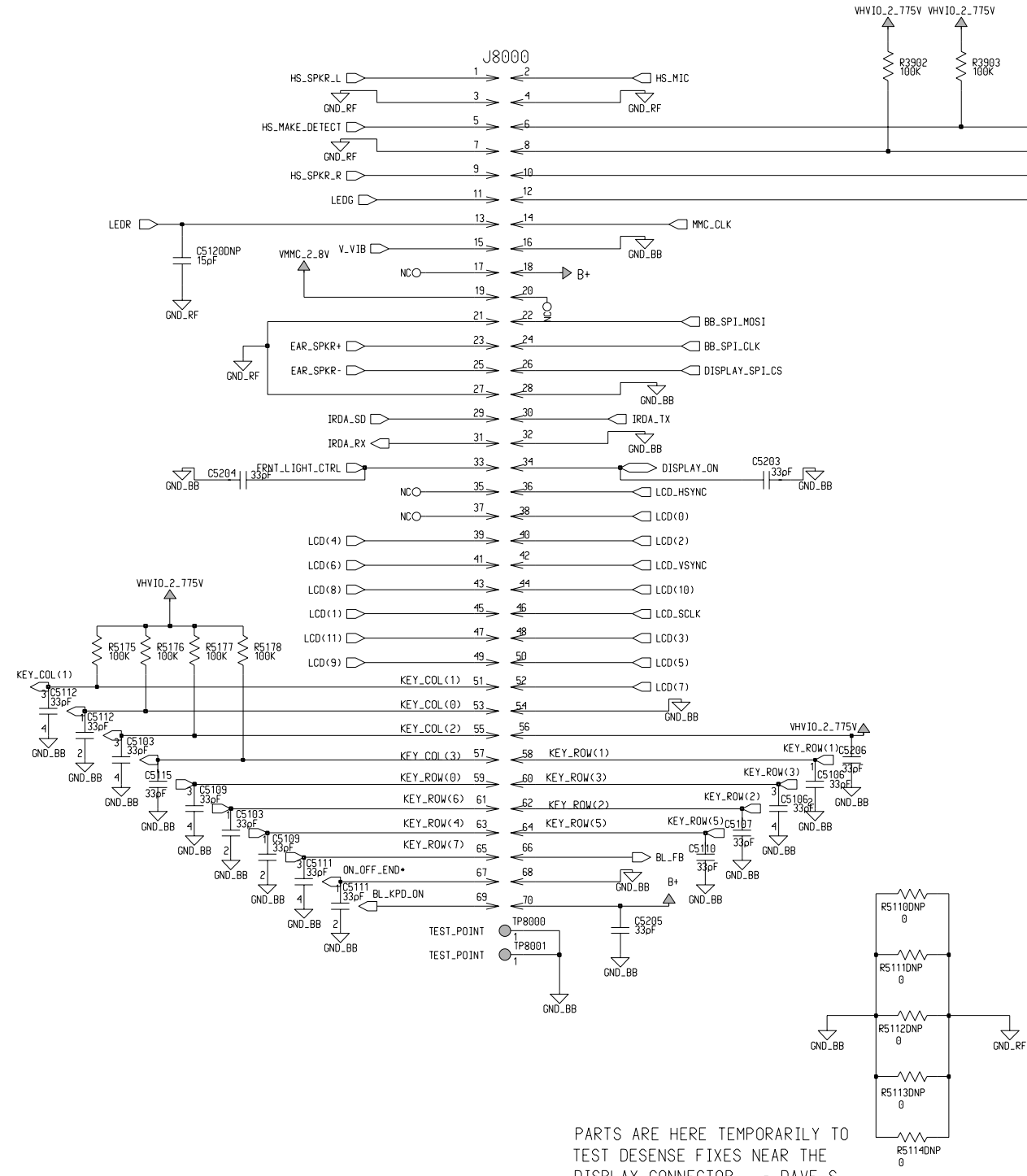
D



MOTOROLA CONFIDENTIAL PROPRIETARY

4 1 3 A

Engineer: Ed Naddeo	MOTOROLA INC.		
Drawn by: Ed Naddeo			
R&D CHK:	TITLE: TALON	Size: 11x21	
DOC CTRL CHK:	Daughter Board Connector		
MFG CTRL CHK:	REV: 1	Page: 1	
QA CHK:	Drawing Number:	OF: 1	
Changed by: Ed Naddeo	Date: Monday, April 23, 2001	Time: 11:27:59 am	

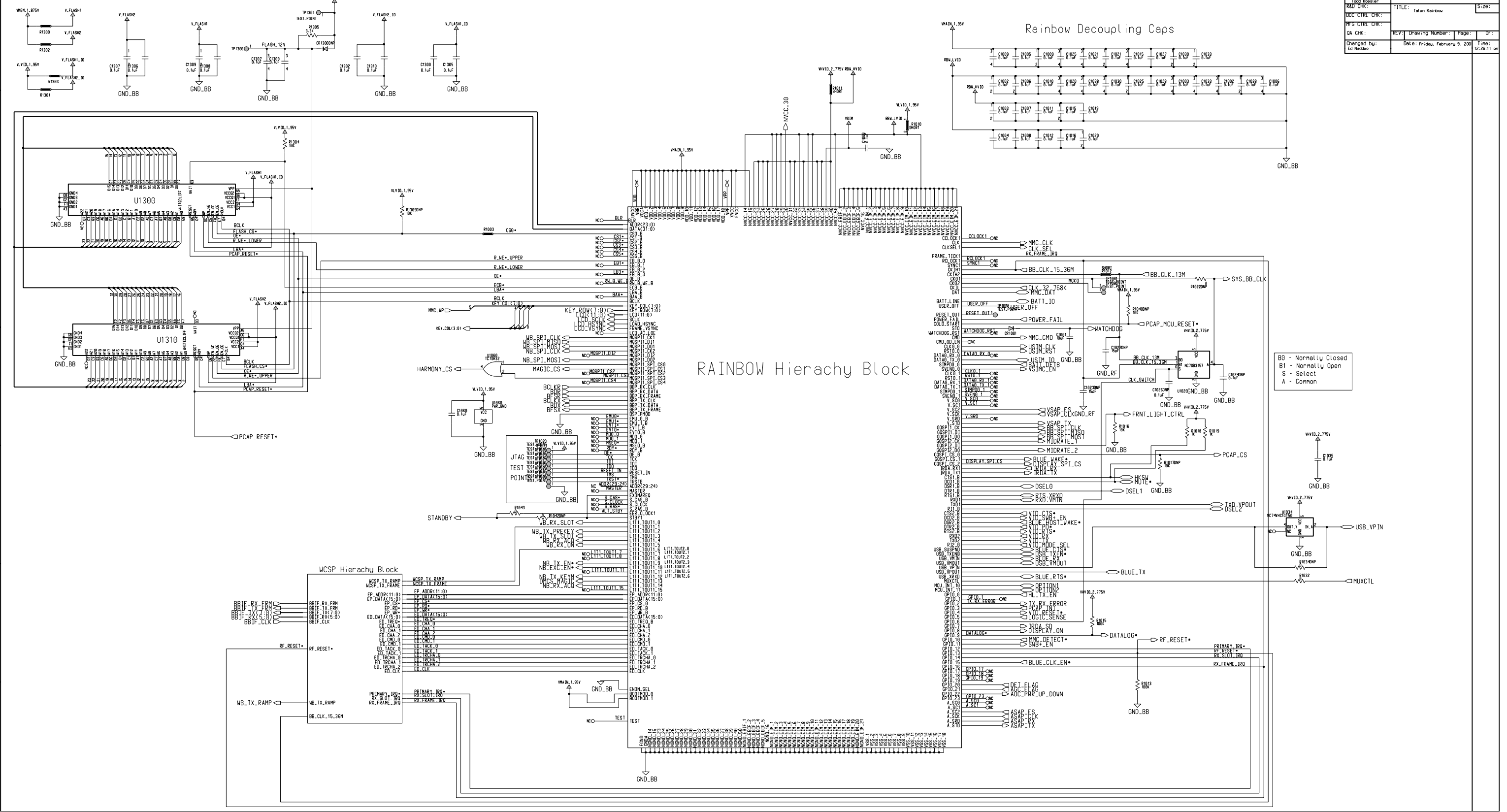


PARTS ARE HERE TEMPORARILY TO TEST DESENSE FIXES NEAR THE DISPLAY CONNECTOR. - DAVE S.

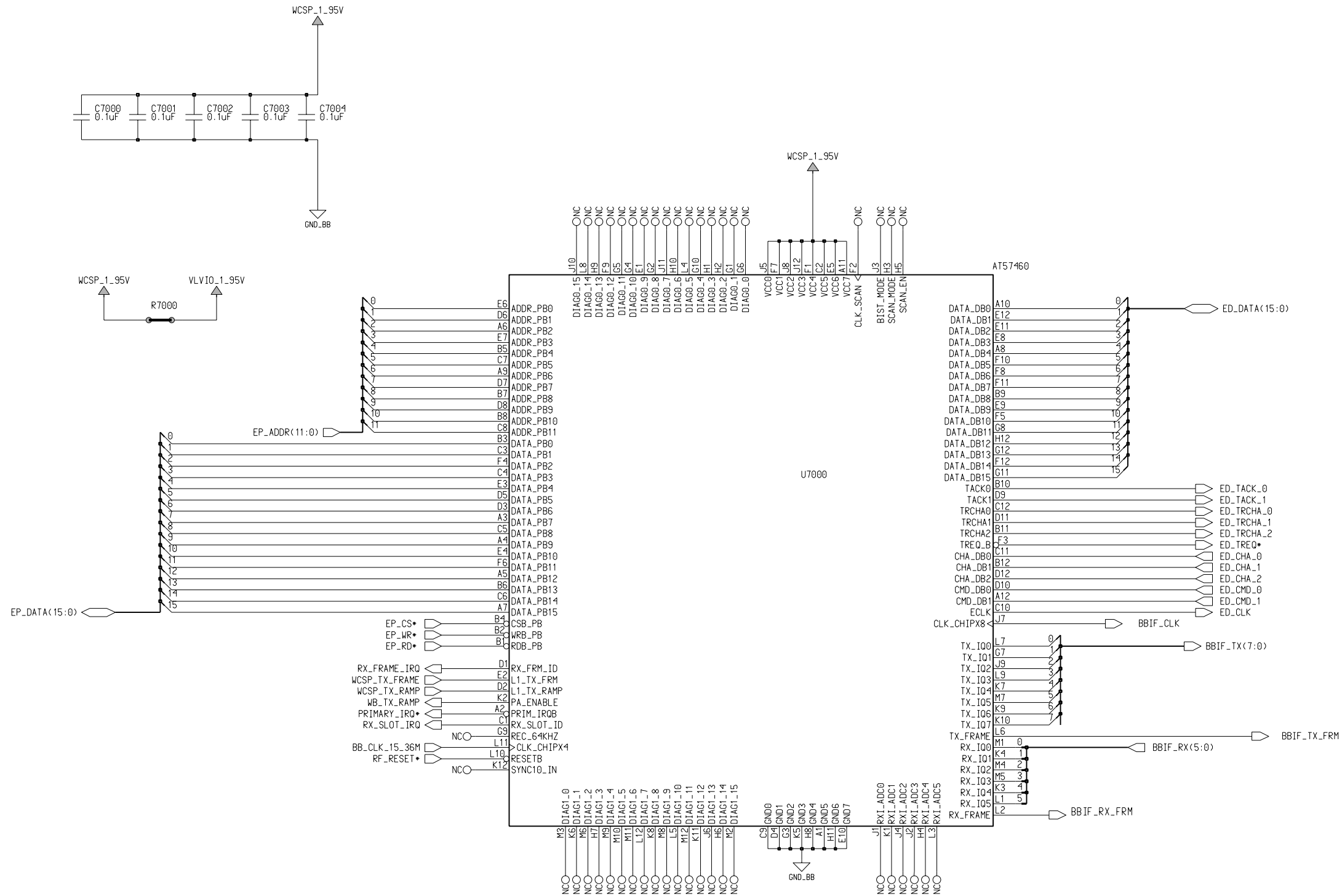
Added Key Col 4, 6, and 7

MOTOROLA CONFIDENTIAL PROPRIETARY

Eng. Name:	Ed Hodes	MOTOROLA INC
Design BU:	Telecom	TITLE: Talon Rainbow
Rev. Date:		Size:
Doc. Ctrl. Chk:		Page: 7
RFU Ctrl. Chk:		Of:
DA Chk:		REV: Drawing Number: Page: Of:
Changed by:	Ed Hodes	Date: Friday, February 9, 2001 Time: 12:26:11 pm



MOTOROLA CONFIDENTIAL PROPRIETARY



Engineer:	Ed Naddeo		
Drawn by:	Ed Naddeo		
R&D CHK:	TITLE: Talon		Size: B
DOC CTRL CHK:	WCSP		
MFG CTRL CHK:			
QA CHK:	REV: 1.1	Drawing Number: 8487939L01	Page: 1 OF 1
Changed by:	Date:	Time:	
Ed Naddeo	Tuesday, February 13, 2001	2:00 PM	

1.1	Removed C7005, C7006	Naddeo
-----	----------------------	--------

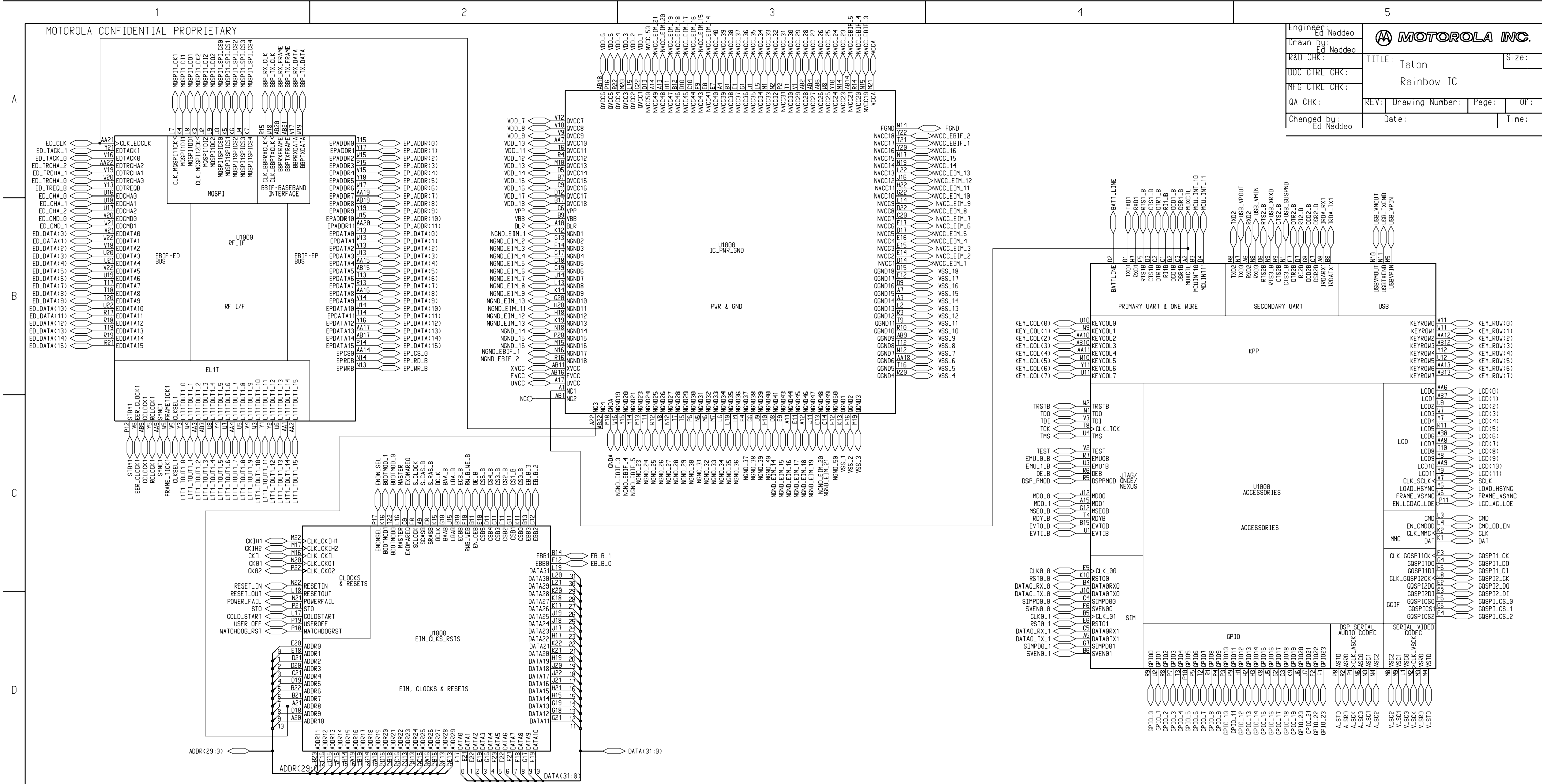
MOTOROLA CONFIDENTIAL PROPRIETARY

Engineer: Ed Naddeo
 Drawn by: Ed Naddeo
 R&D CHK: Ed Naddeo
 DOC CTRL CHK:
 MFG CTRL CHK:
 QA CHK:

MOTOROLA INC.

Talon
 Rainbow IC

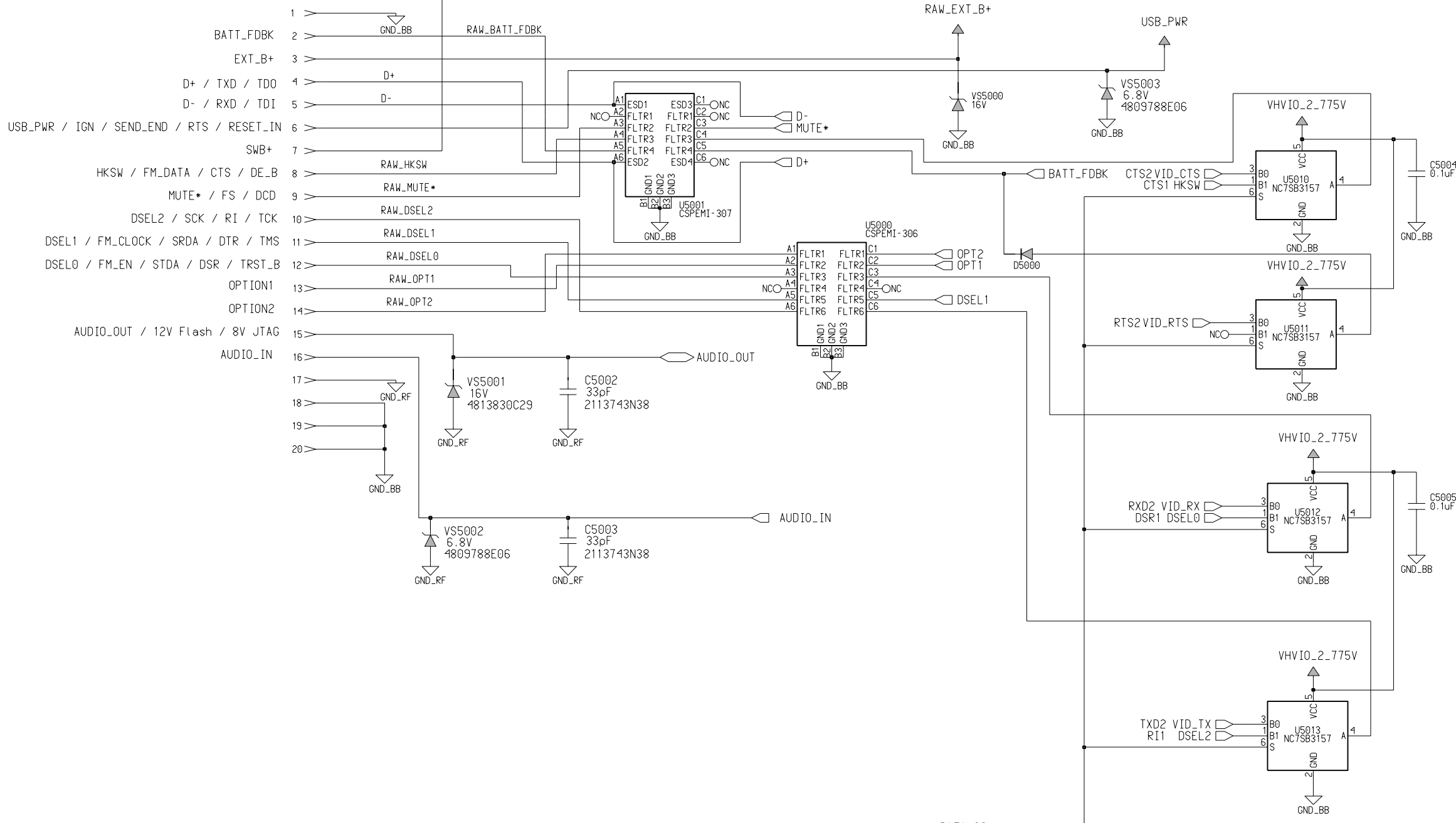
REV: Drawing Number: Page: OF:
 Date: Time:



MOTOROLA CONFIDENTIAL PROPRIETARY

Accessory Connector
CE Connector (0987636K05)


J5000

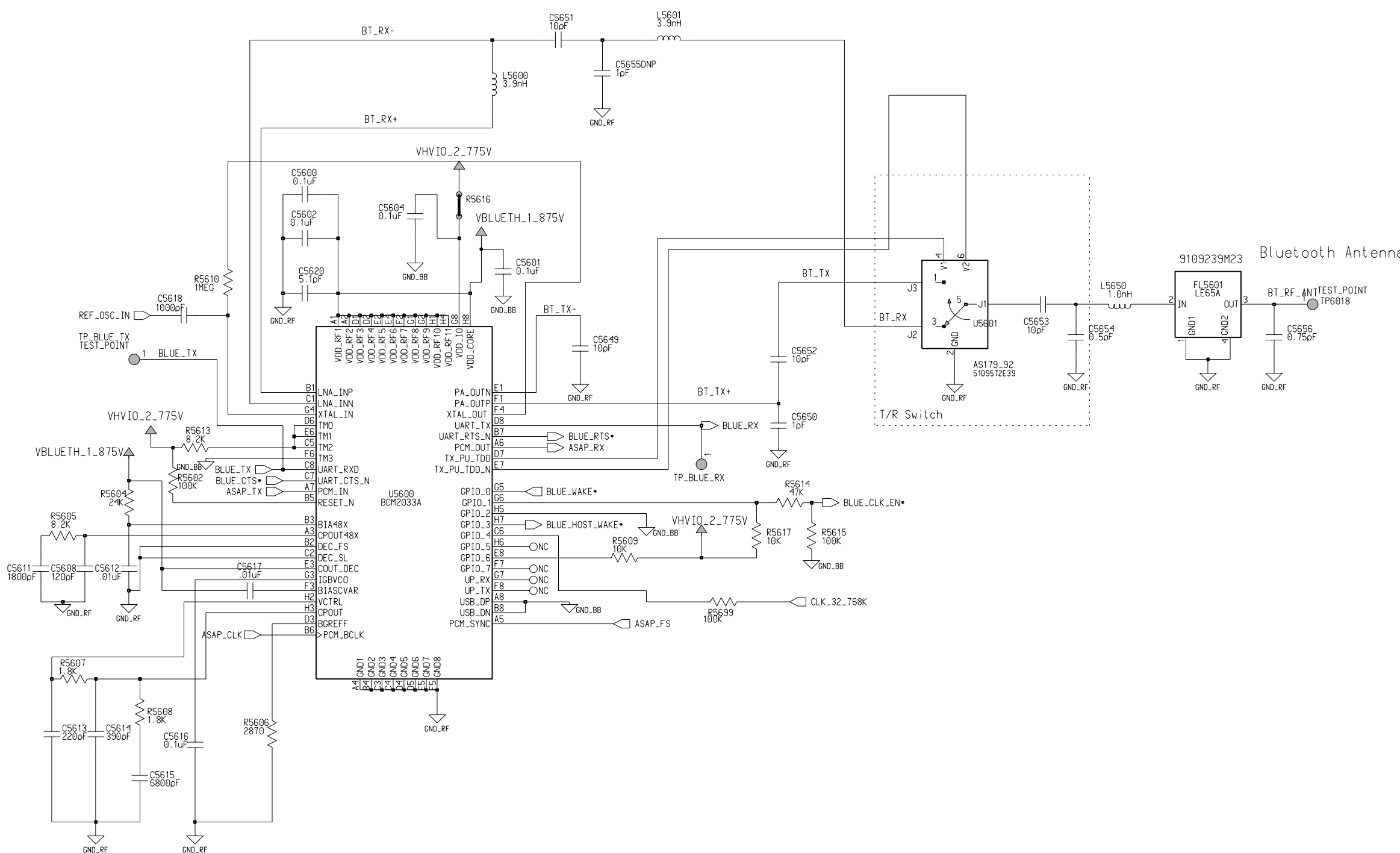


B0 - Normally Closed
B1 - Normally Open
S - Select
A - Common

Engineer: Jennifer Seymour	MOTOROLA INC.		
Drawn by:			
R&D CHK:	TITLE: TALON	Size:	
DOC CTRL CHK:	CE Accessory Connector		
MFG CTRL CHK:			
QA CHK:	REV:	Drawing Number:	Page: OF:
Changed by: Todd J. Roesler	Date: 4/24/01	Time:	

0.2	Moved CE Module Bus to daughterboard connector	4/24/01
Todd J. Roesler	Updated signal names and added DNP pullup to RESET_IN for JTAG mode.	8/15/01
Todd J. Roesler	Changed Analog switches to Fairchild	12/19/01

Engineer: Dave Stubbs	 MOTOROLA INC.		
Drawn by:	TITLE: Talon Bluetooth	Size:	
R&D CHK:	REV:	Drawing Number:	Page:
DOC CTRL CHK:	OF:		
MFG CTRL CHK:	Date: April 16, 2001	Time:	
QA CHK:			
Changed by: Bokchain Koh			



A

B

C

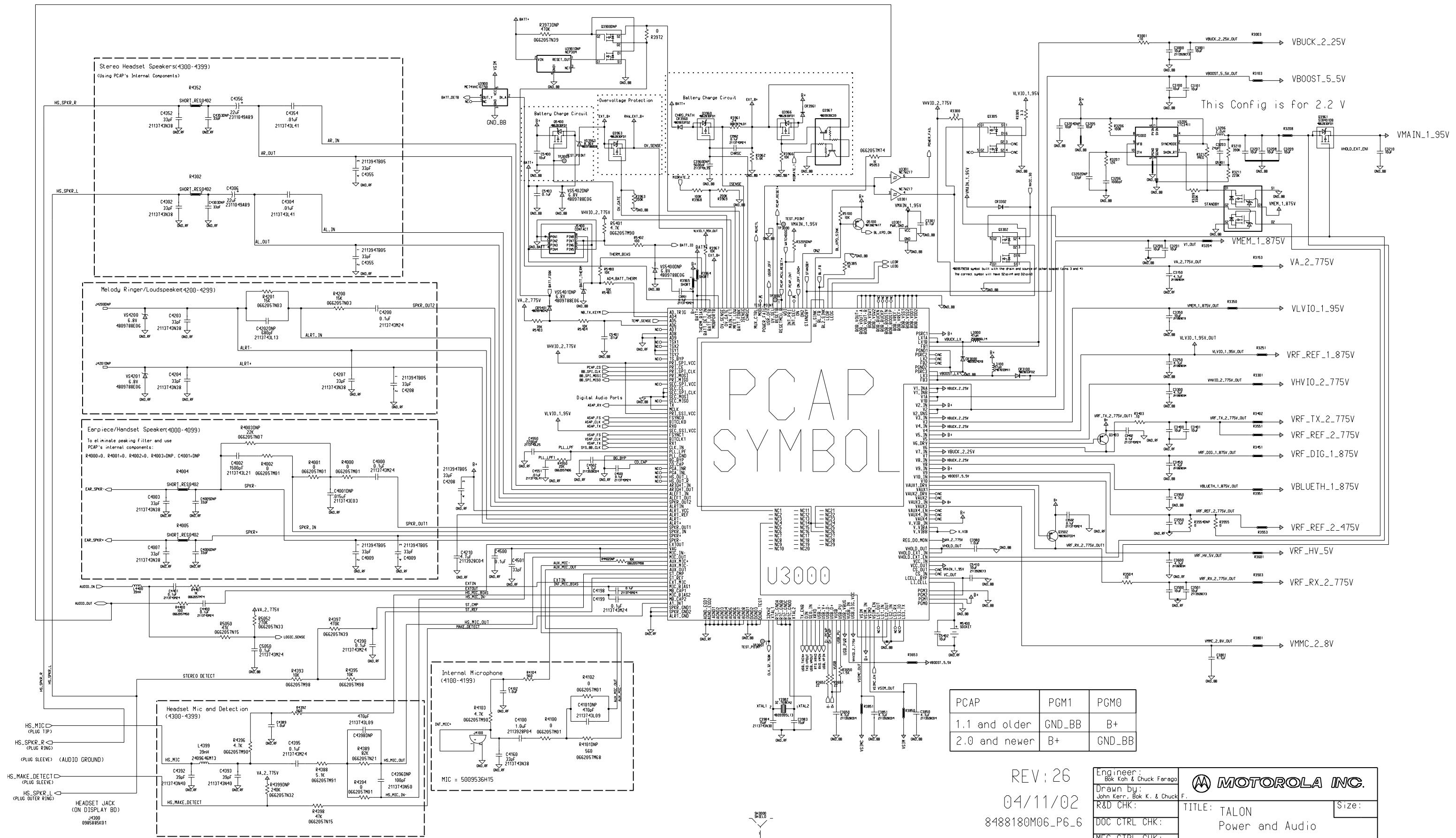
D

1

2

3

4



PCAP
SYMBOL

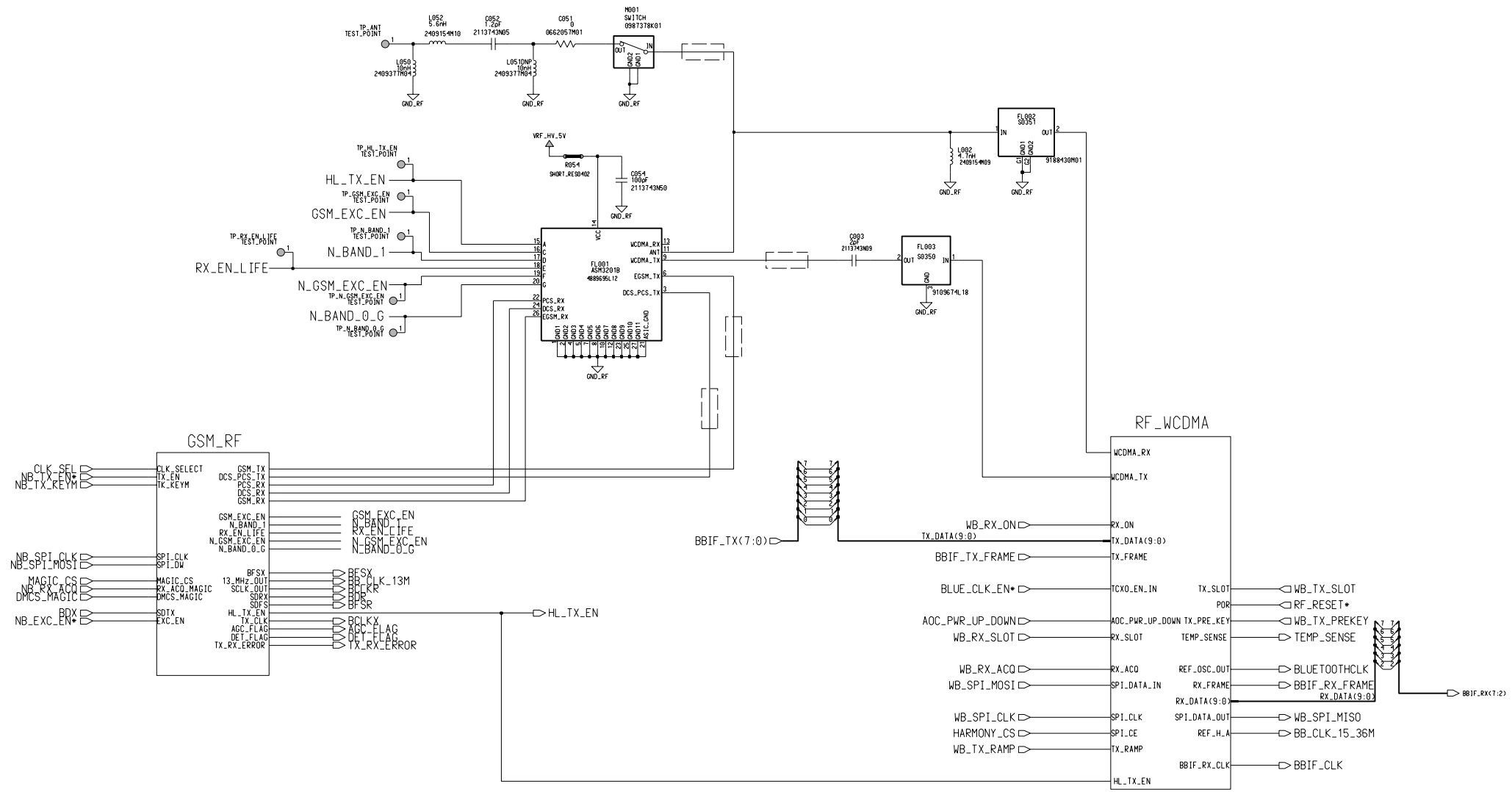
U3000

PCAP	PGM1	PGM0
1.1 and older	GND_BB	B+
2.0 and newer	B+	GND_BB

REV: 26
04/11/02
8488180M06_P6_6

Plot Scale = 0.8

Engineer: Bok Koh & Chuck Farago			
Drawn by: John Kerr, Bok K. & Chuck F.			
R&D CHK:	TITLE: TALON	Size:	
DOC CTRL CHK:	Power and Audio		
MFG CTRL CHK:	REV: Drawing Number:	Page:	Of:
QA CHK:	Date:	Time:	
Changed by:		8:04:00 am	



Engineer Dave Suarez	MOTOROLA INC. 600 N US HWY 45 Libertyville, IL		
Drawn by Dave Suarez			
R&D CHK	TITLE	Size	
DOC CTRL CHK	RF_TOP	D	
MFG CTRL CHK			
QA CHK	REV P&C	Drawing Number 8488180M08	Sheet of

Changed by Dave Suarez Date Changed August 19, 2002 Time 3:59:05 pm

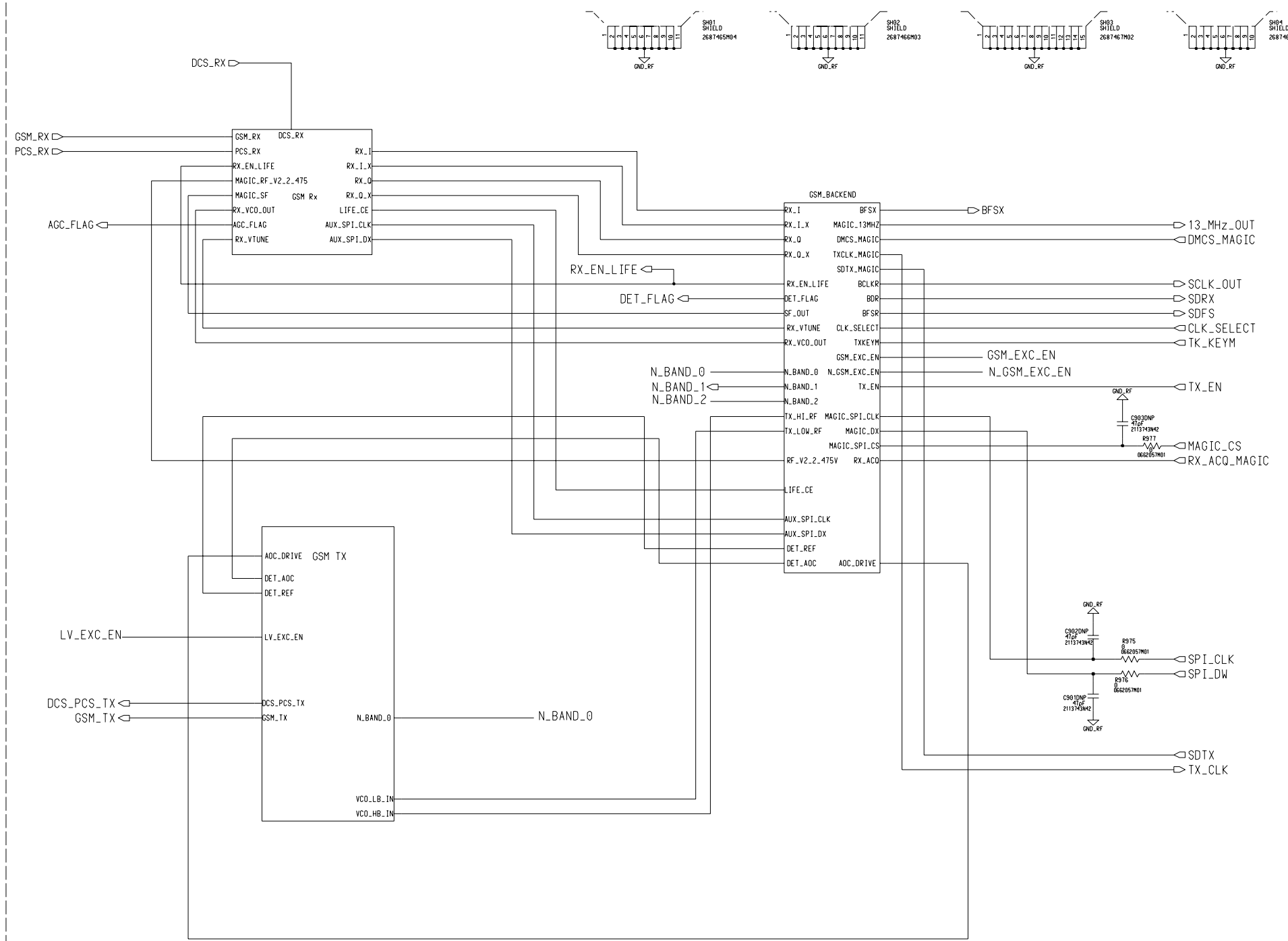
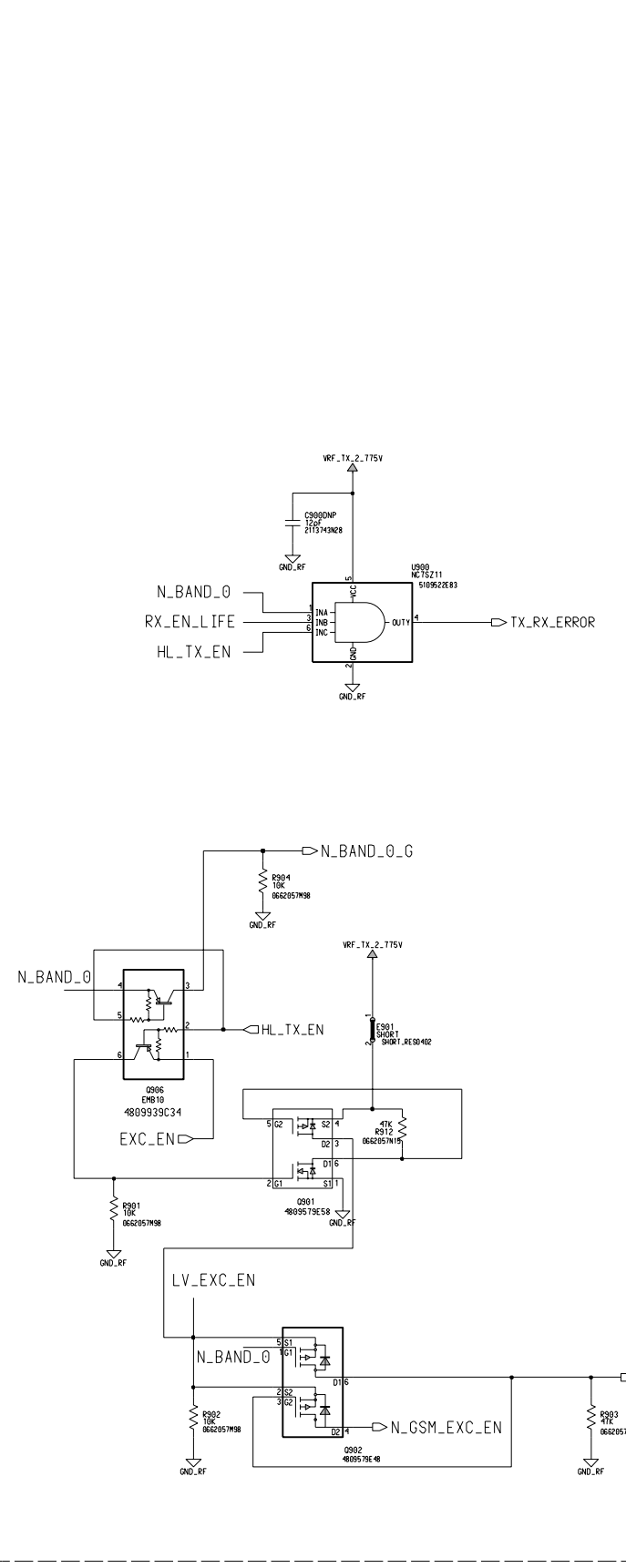
1 2 3 4 5 6 7 8

A
B
C
D
E

A
I
B
C
D
E

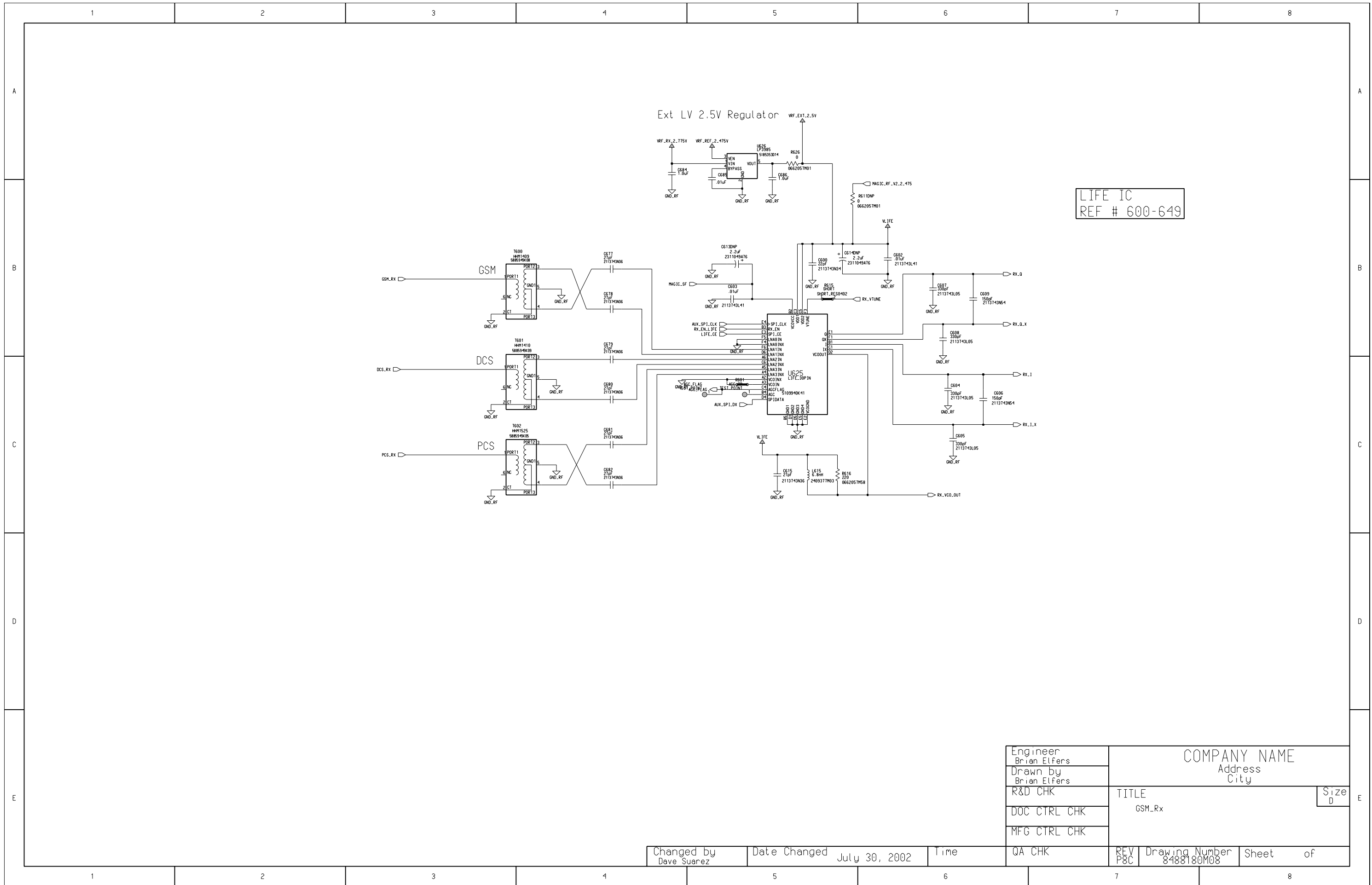
1 2 3 4 5 6 7 8

Band Select Circuits REF # 900-925



Engineer Dave Suarez	COMPANY NAME	
Drawn by Dave Suarez	Address City	
R&D CHK	TITLE	Size D
DOC CTRL CHK	GSM.TOP	
MFG CTRL CHK		
QA CHK	REV P7	Drawing Number 8488180M06
Changed by Dave Suarez	Date Changed May 29, 2002	Time
		Sheet of

Changed by Dave Suarez Date Changed May 29, 2002 Time

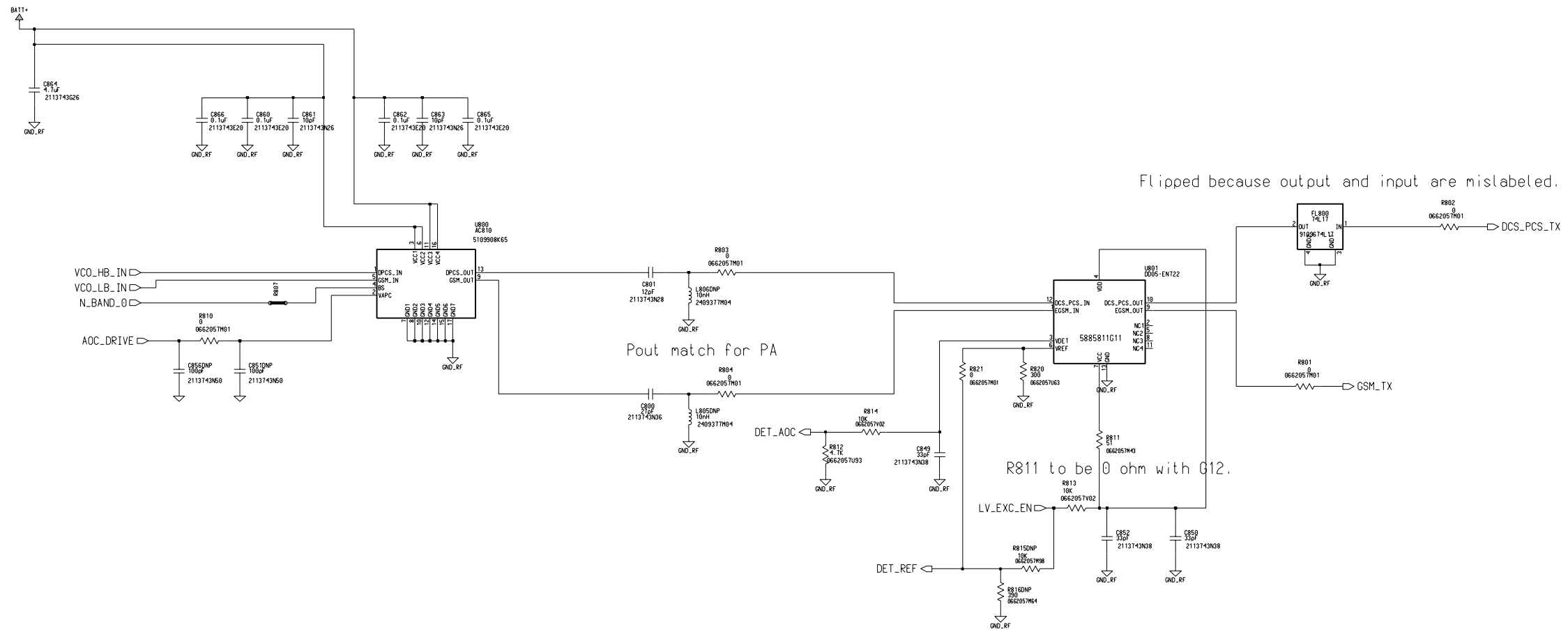


LIFE IC
REF # 600-649

Engineer Brian Elfers	COMPANY NAME		
Drawn by Brian Elfers	Address City		
R&D CHK	TITLE	Size D	
DOC CTRL CHK	GSM.Rx		
MFG CTRL CHK			
QA CHK	REV P8C	Drawing Number 8488180M08	Sheet of

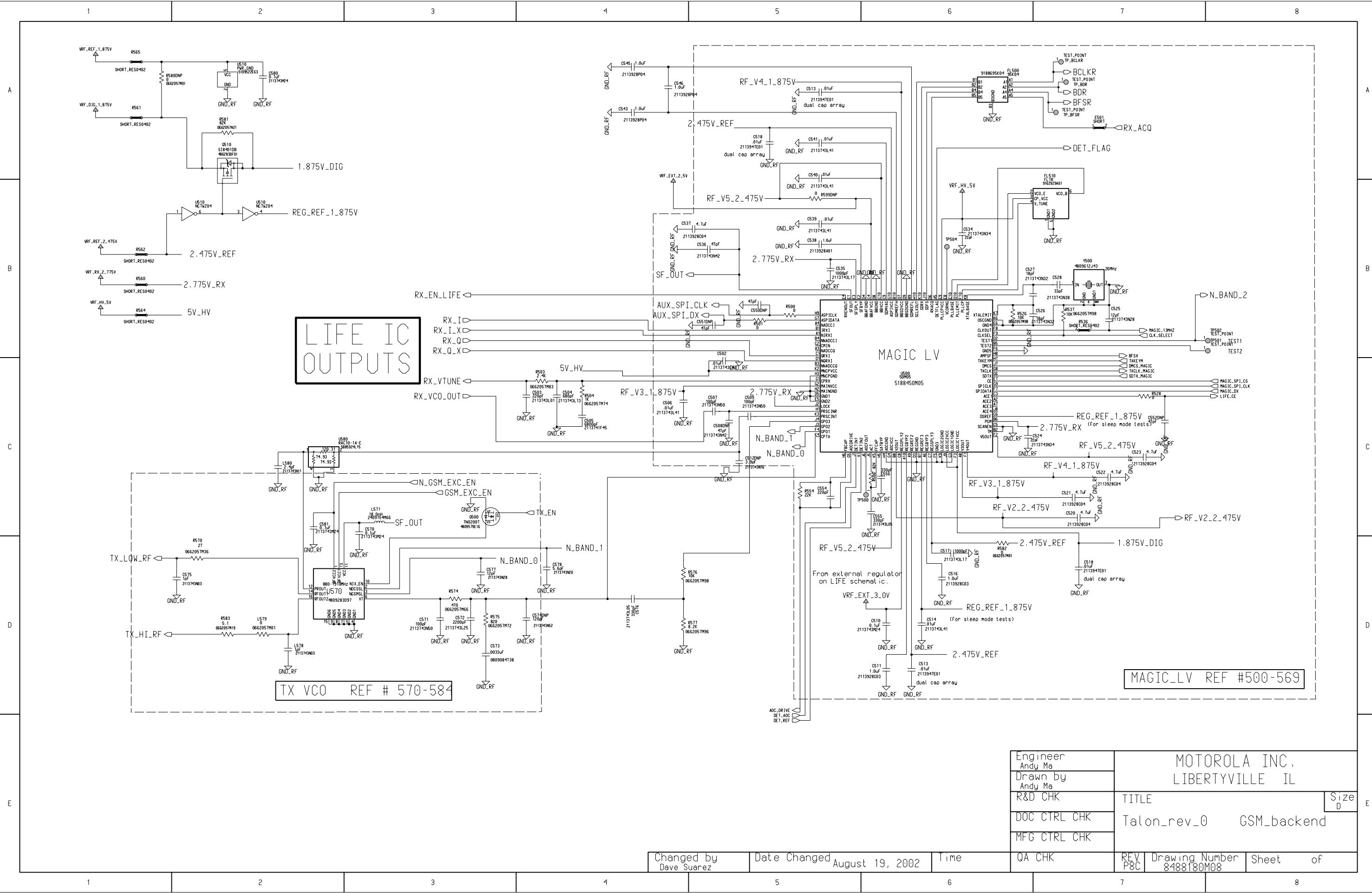
Changed by Dave Suarez Date Changed July 30, 2002 Time

GSM Transmitter



Engineer Paul Manente	COMPANY NAME		
Drawn by Paul Manente	Address City		
R&D CHK	TITLE GSM_TX-D	Size D	
DOC CTRL CHK	GSM_Transmitter		
MFG CTRL CHK			
QA CHK	REV P8B	Drawing Number 8488180M08	Sheet of

Changed by Dave Suarez Date Changed July 24, 2002 Time



LIFE IC
OUTPUTS

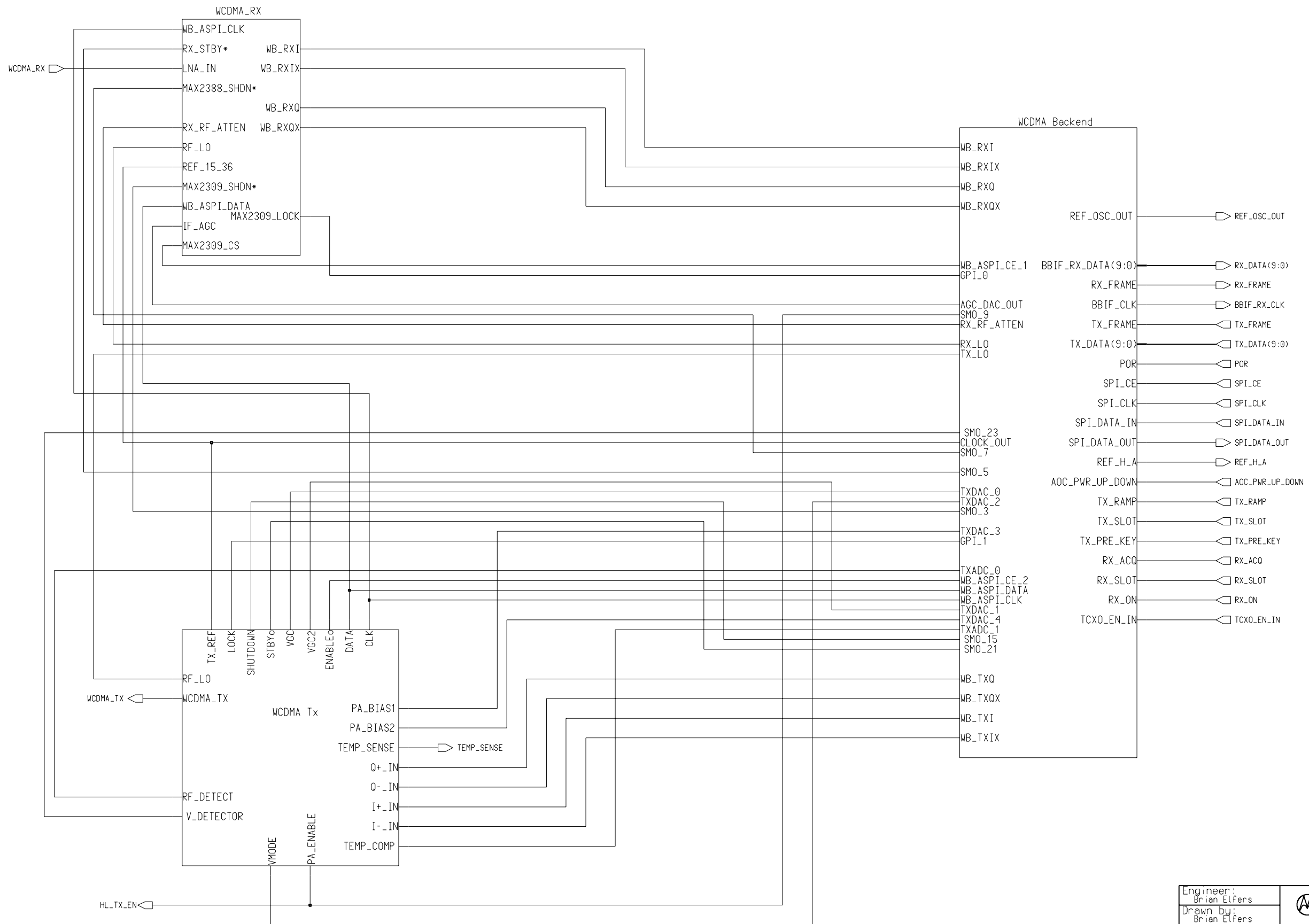
TX VCO REF # 570-584

MAGIC LV
518845-0M05

MAGIC_LV REF #500-569

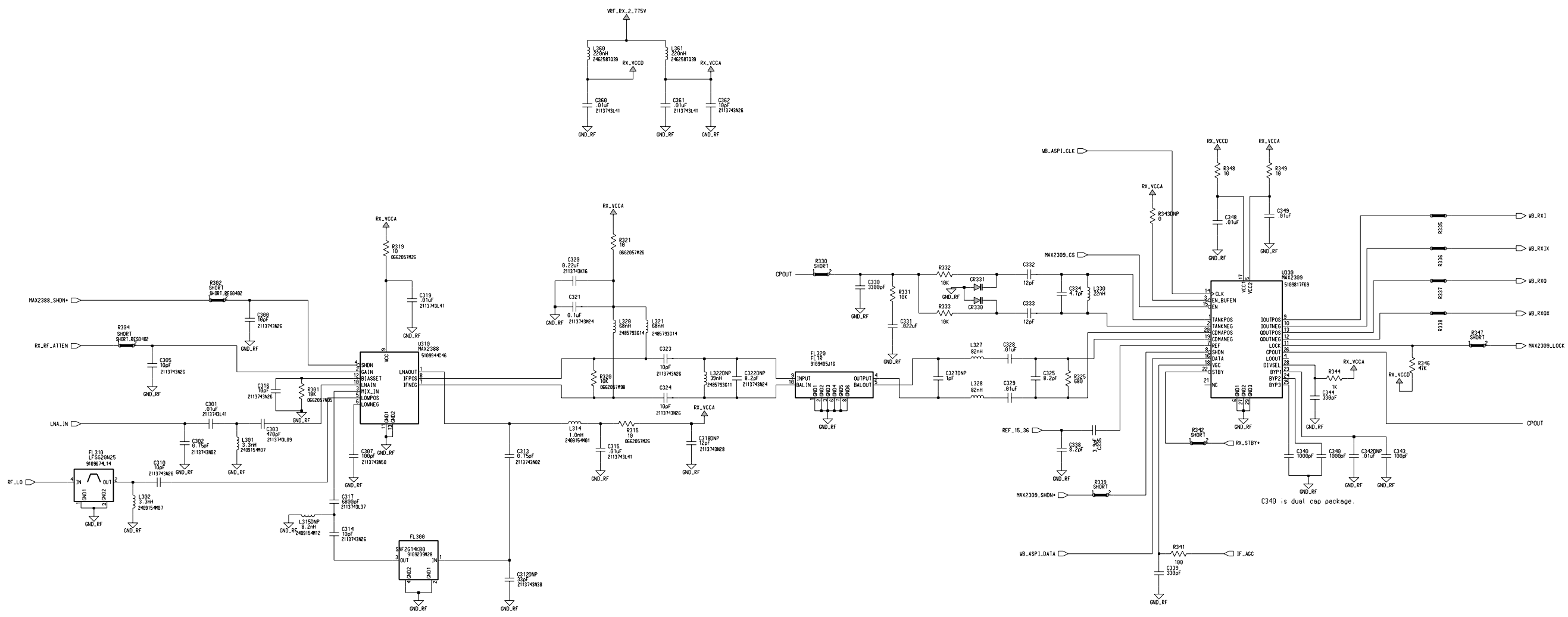
Engineer Andy Ma	MOTOROLA INC. LIBERTYVILLE IL		
Drawn by Andy Ma	TITLE		
R&D CHK	Talon_rev_0	GSM_backend	Size D
DOC CTRL CHK			
MFG CTRL CHK			
QA CHK	REV P8C	Drawing Number 8488180M08	Sheet of

Changed by Dave Suarez	Date Changed August 19, 2002	Time
---------------------------	---------------------------------	------

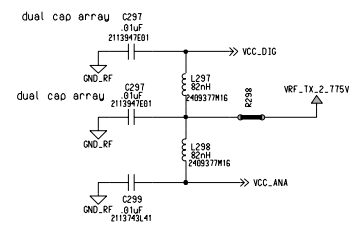


Engineer: Brian Elfers			
Drawn by: Brian Elfers			
R&D CHK:	TITLE: Talon_rev_0	Size: 11x17	
DOC CTRL CHK:	Part Size Study		
MFG CTRL CHK:	REV:	Drawing Number:	Page:
QA CHK:			OF:
Changed by: Dave Suarez	Date: Friday, April 20, 2001	Time: 4:07:28 pm	

MOTOROLA INTERNAL USE ONLY

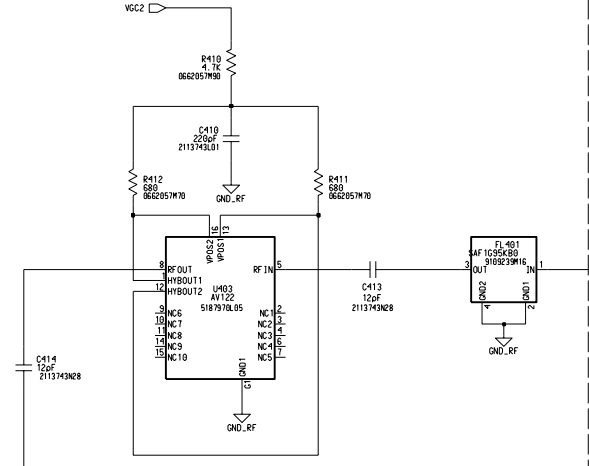


Engineer:	Randy Kressner		Size:	D			
Drawn by:	Randy Kressner		TITLE:	MCMA_Rx			
QA CHK:	PBA	REV:	848218DM08	Page:	1	Of:	1
Changed by:	Dave Suarez	Date:	July 12, 2002	Time:	4:33:16 pm		

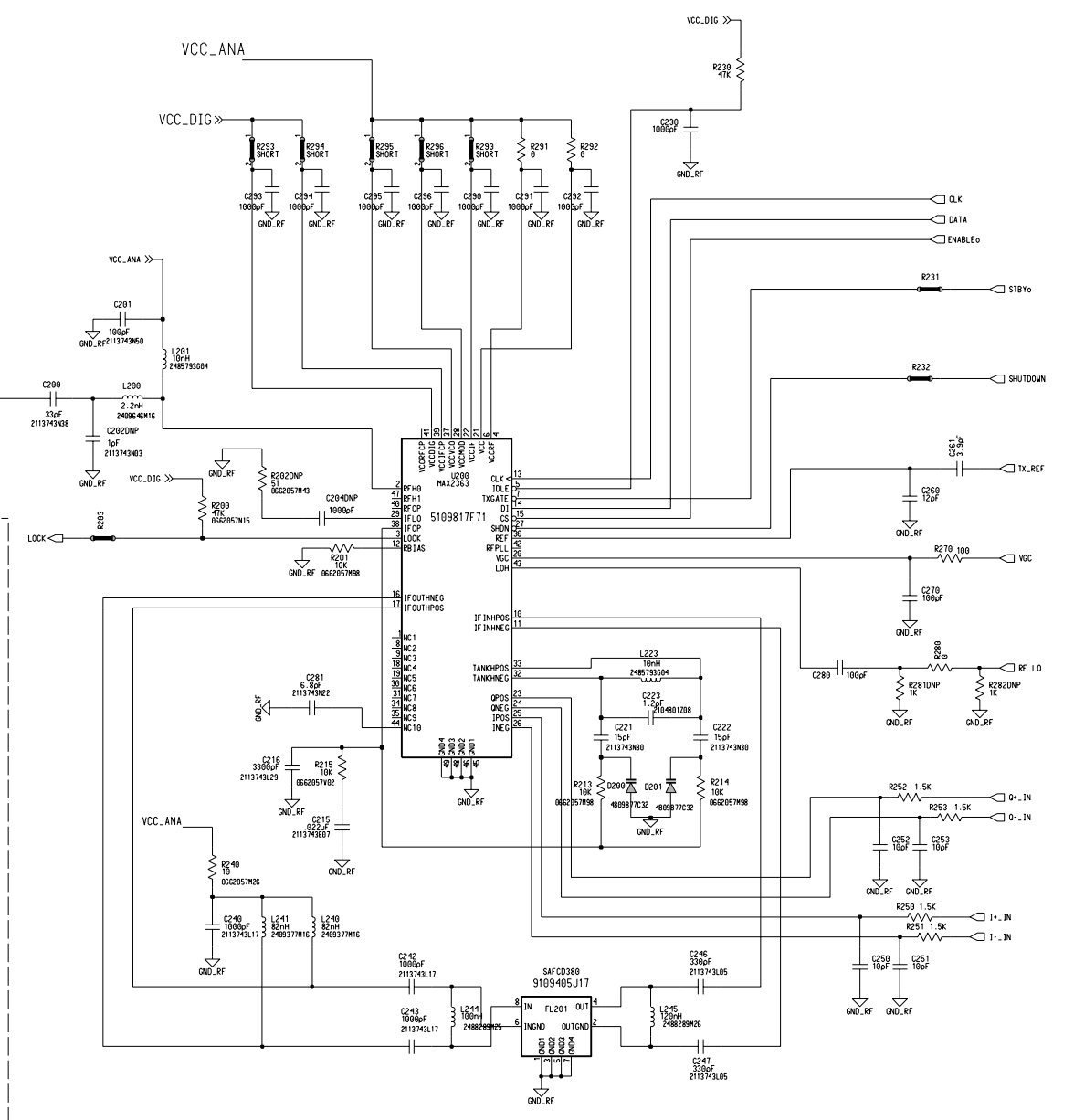


WCDMA Transmitter (TALON)

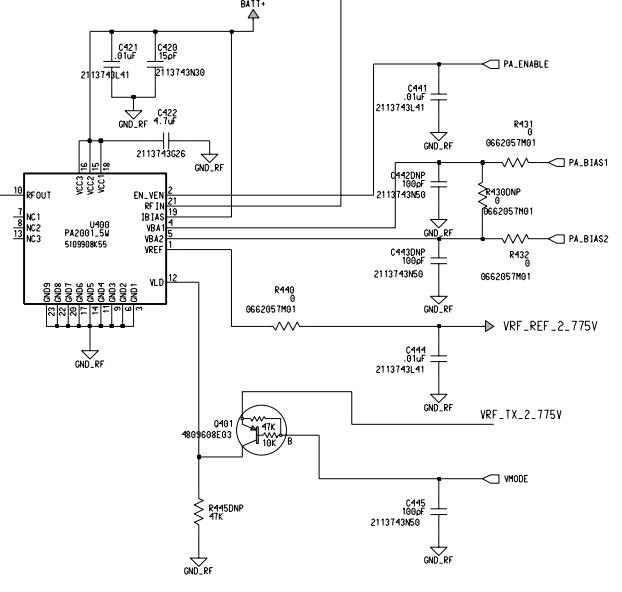
Attenuator and interstage filter 410 - 414



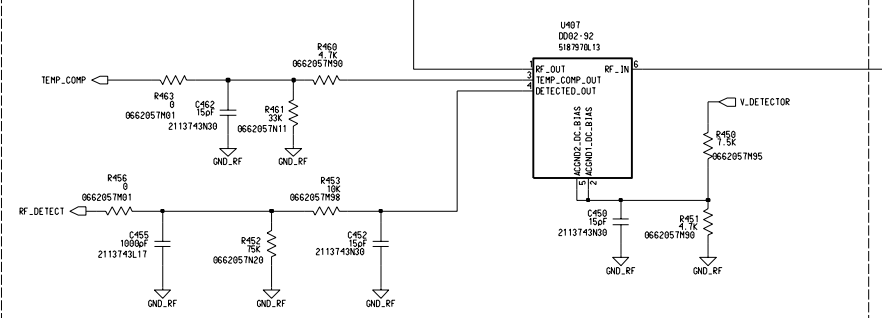
Quadrature modulator and upmixer 200-299



Power Amplifier 420 - 449



Power Detector 450 - 463



Engineer John Mura	COMPANY NAME Address City		
Drawn by John Mura	TITLE WCDMA_Tx	Size D	
R&D CHK	QA CHK	REV P8A	Drawing Number 8488180M08
DOC CTRL CHK	MFG CTRL CHK	Sheet 1	of 1

Changed by Dave Suarez	Date Changed July 9, 2002	Time 4:39:58 pm
---------------------------	------------------------------	--------------------

