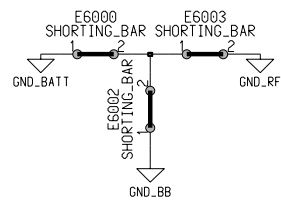
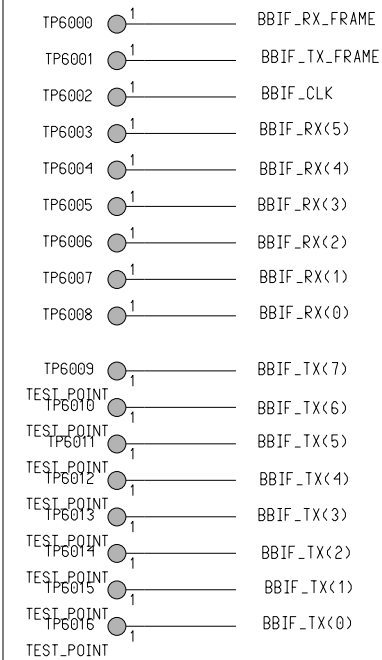
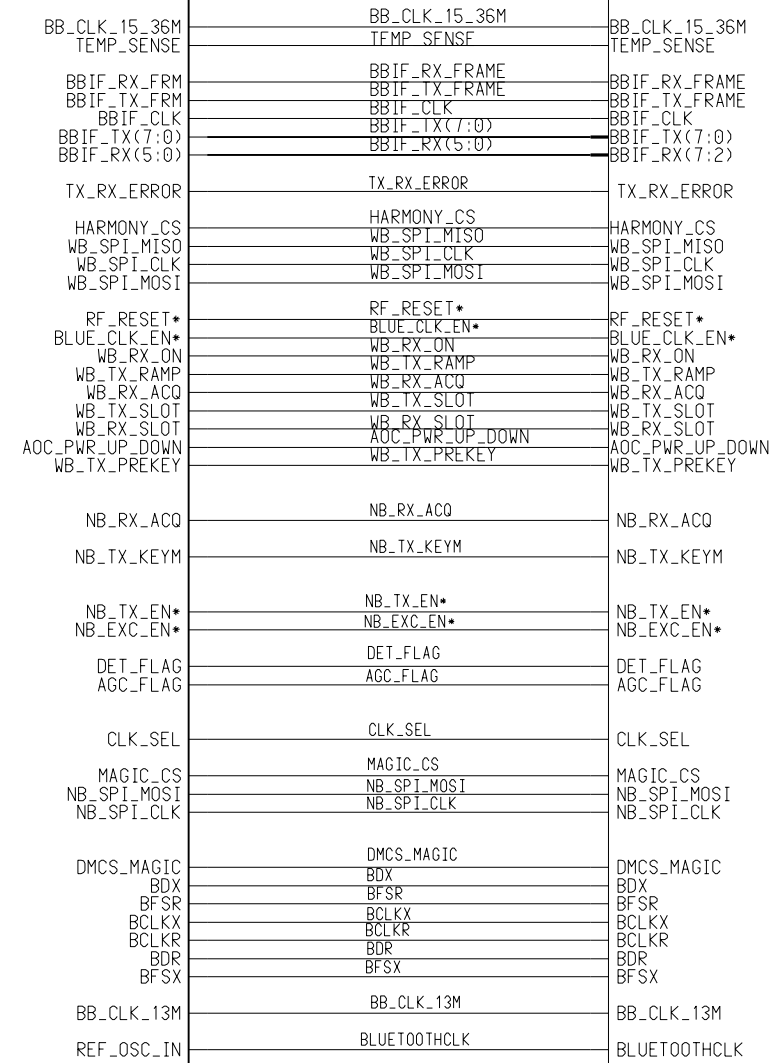


MOTOROLA CONFIDENTIAL PROPRIETARY

Baseband

RF



Engineer: John Kerr			
Drawn by: John Kerr			
R&D CHK:	TITLE: Talon	Size: 11x17	
DOC CTRL CHK:	Top Level		
MFG CTRL CHK:	REV:	Drawing Number:	Page: Of:
QA CHK:	Date: February 1, 2001	Time: 10:43:18 am	
Changed by: Ed Neddeo			

A

B

C

D

MOTOROLA CONFIDENTIAL PROPRIETARY

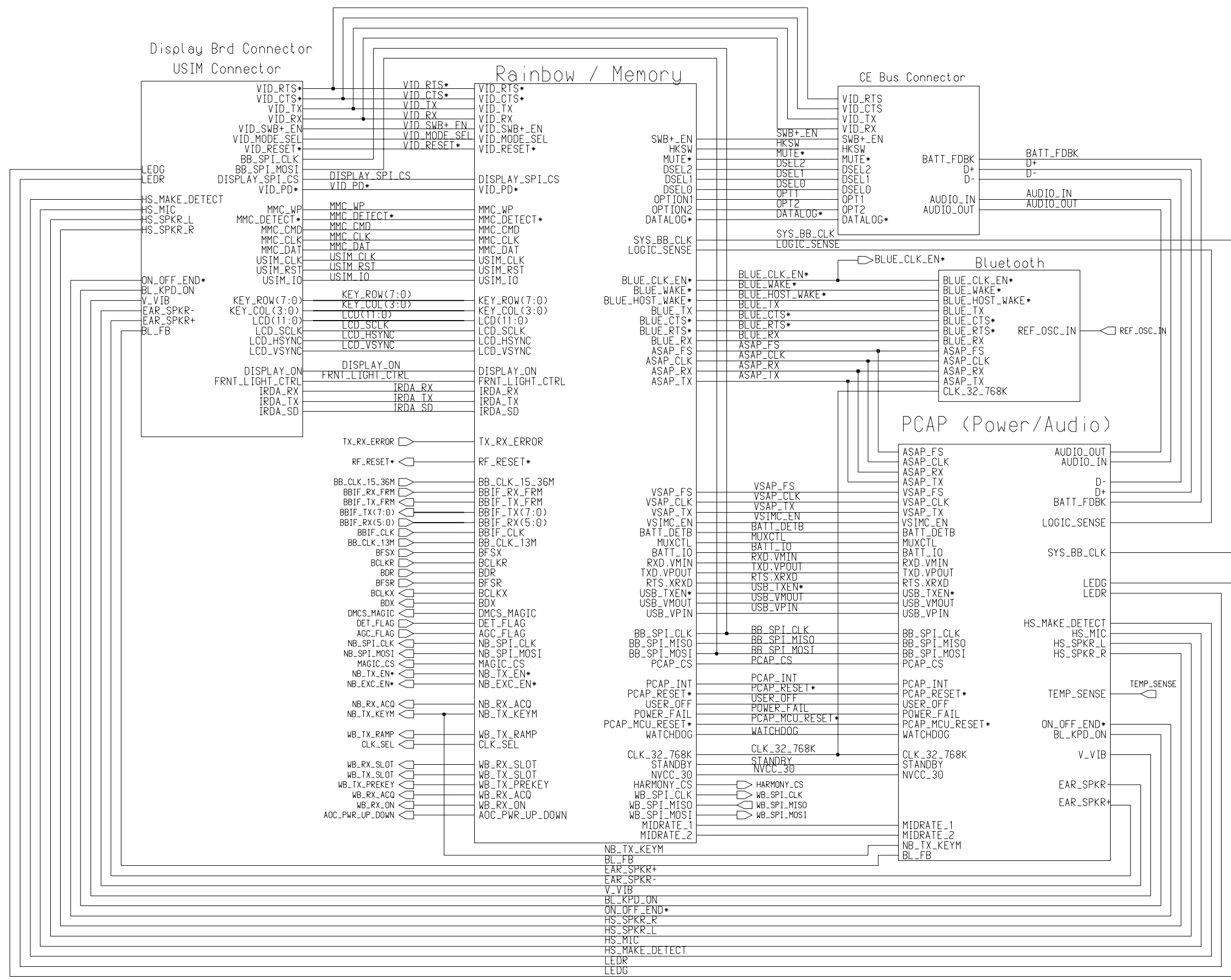
Engineer: John S. Kerr			
Drawn by: Todd Roester			
R&D CHK:	TITLE: Talon	Size: 11x17	
DOC CTRL CHK:	Baseband Top Level		
MFG CTRL CHK:	REV:	Drawing Number:	Page: OF:
QA CHK:	Date: Wednesday, March 14, 2001	Time: 10:39:56 am	

A

B

C

D

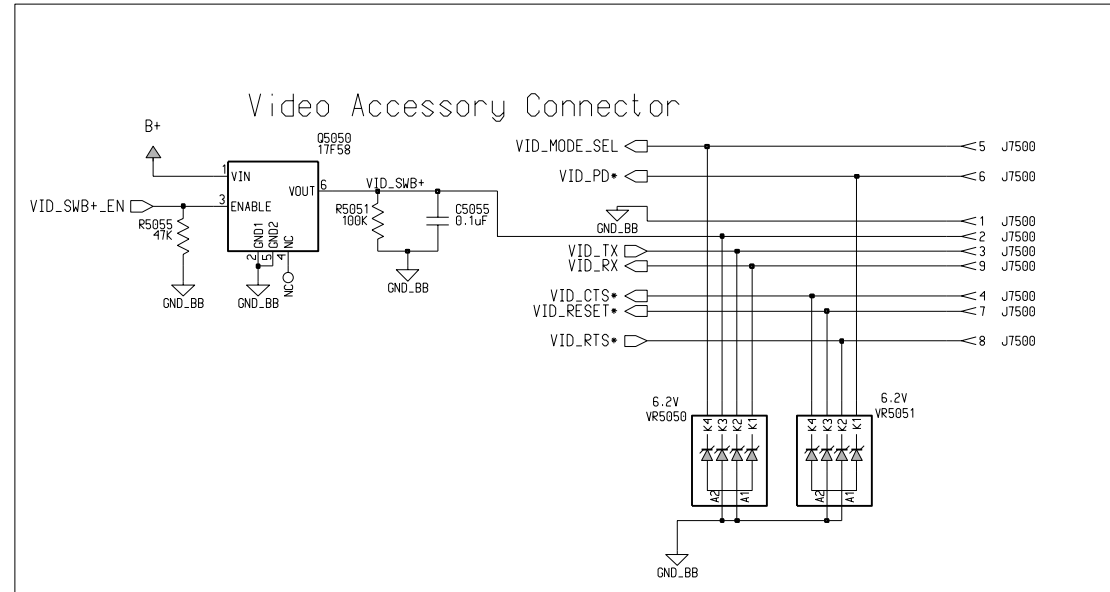
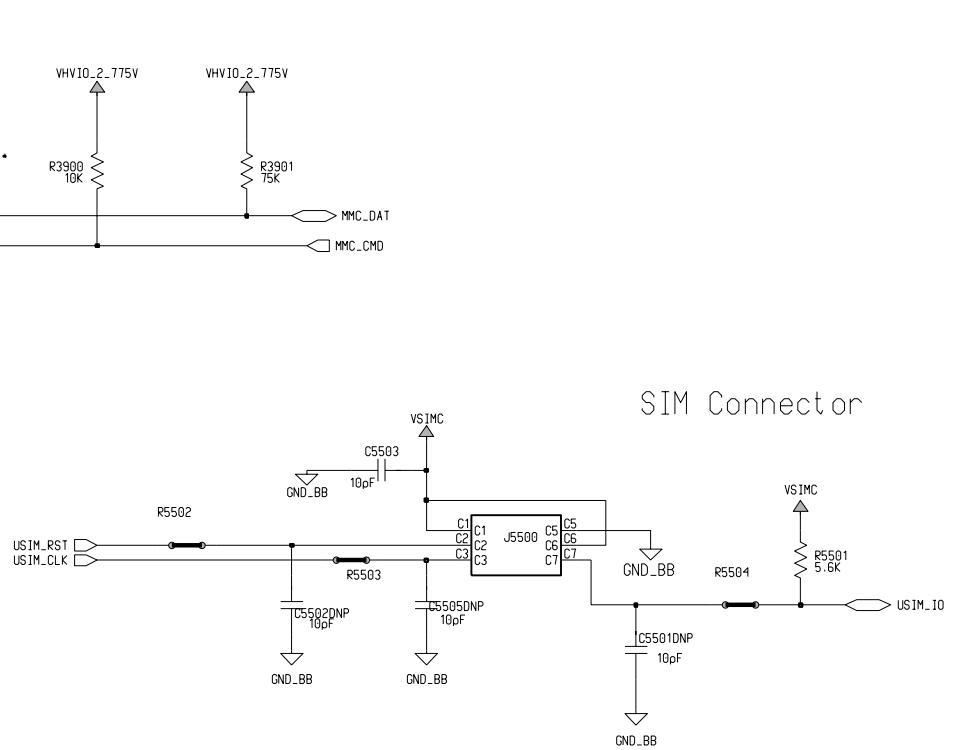
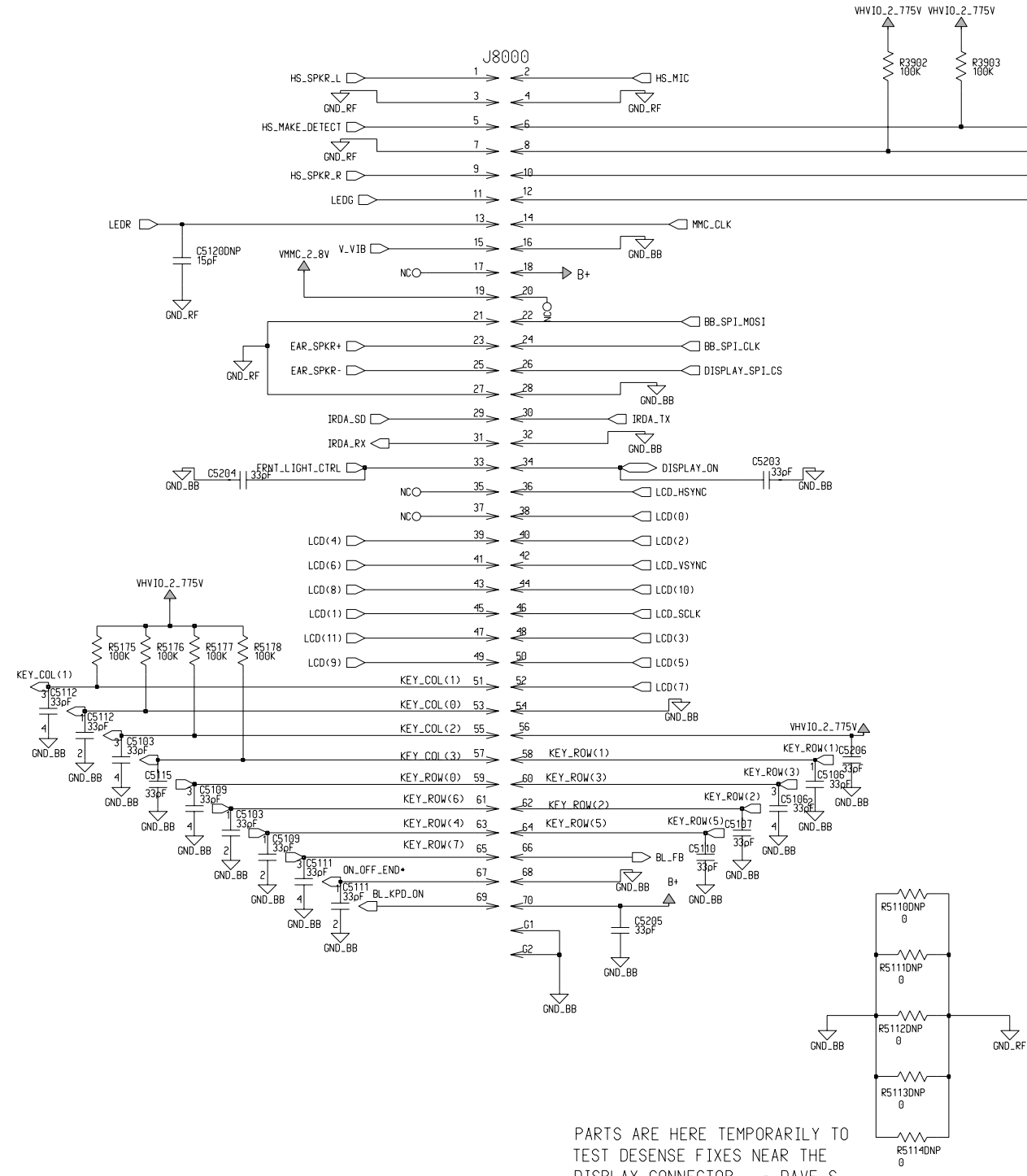


Changed by: Ed Naddeo	Date: Wednesday, March 14, 2001	Time: 10:39:56 am
--------------------------	------------------------------------	----------------------

MOTOROLA CONFIDENTIAL PROPRIETARY

4 1 3 A

Engineer: Ed Naddeo	MOTOROLA INC.		
Drawn by: Ed Naddeo			
R&D CHK:	TITLE: TALON	Size: 11x21	
DOC CTRL CHK:	Daughter Board Connector		
MFG CTRL CHK:	REV: 1	Page: 1	
QA CHK:	Drawing Number:	OF: 1	
Changed by: Ed Naddeo	Date: Monday, April 23, 2001	Time: 11:27:59 am	



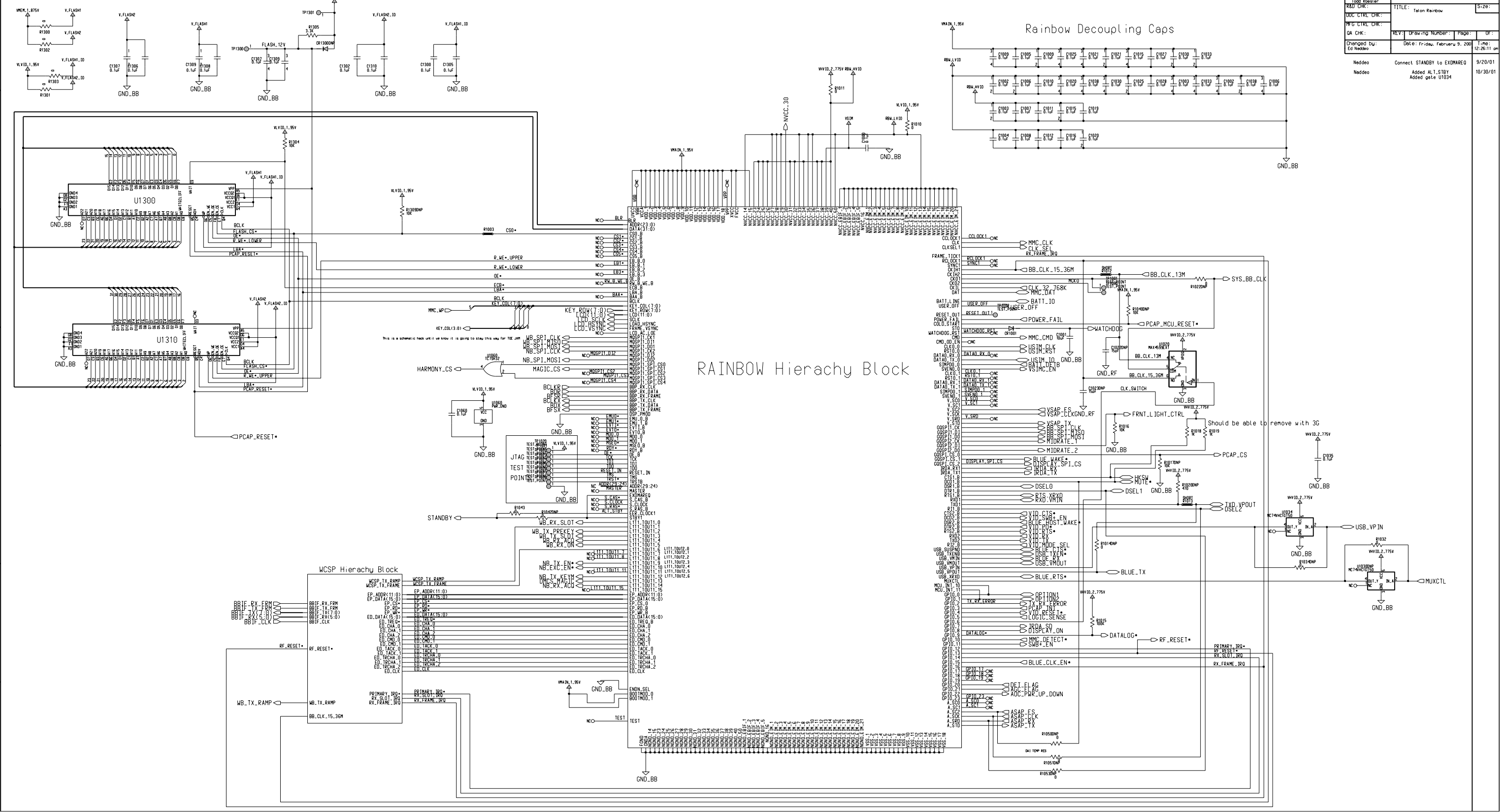
PARTS ARE HERE TEMPORARILY TO TEST DESENSE FIXES NEAR THE DISPLAY CONNECTOR. - DAVE S.

Added Key Col 4, 6, and 7

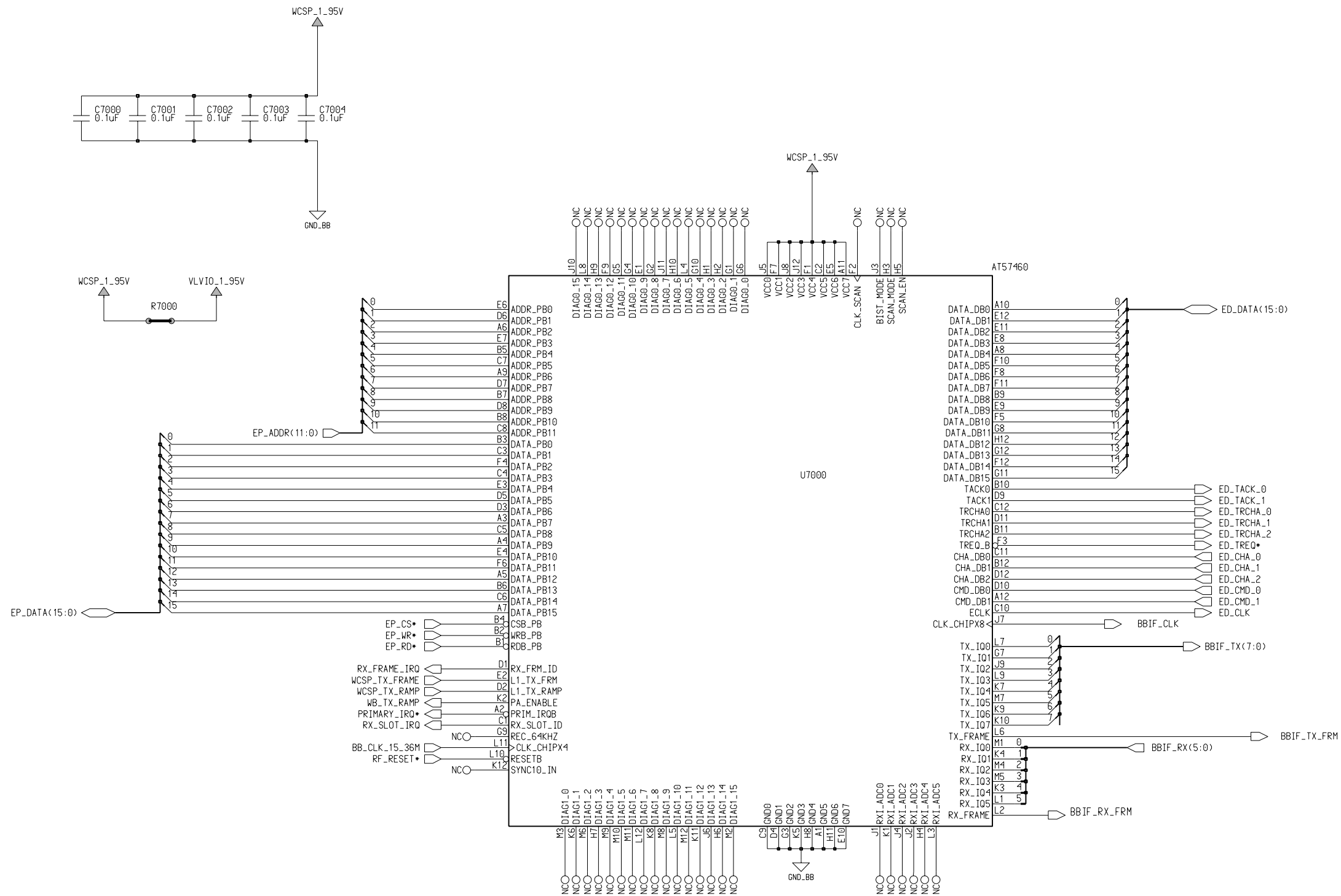
MOTOROLA CONFIDENTIAL PROPRIETARY

Eng. Order:	MOTOROLA INC		
UP: Part No.:	TITLE:	Talon Rainbow	
REV: Rev.:	REV:	UP: Drawing Number:	UP: Page:
DA: CHK:	REV:	UP: Drawing Number:	UP: Page:
Changed by:	Ed: Noddeo	Date: Friday, February 9, 2001	Time: 12:26:11 pm

Noddeo Connect STANDBY to EXDMAREQ 9/20/01
 Noddeo Added ALT_STBY Added gate U1034 10/30/01

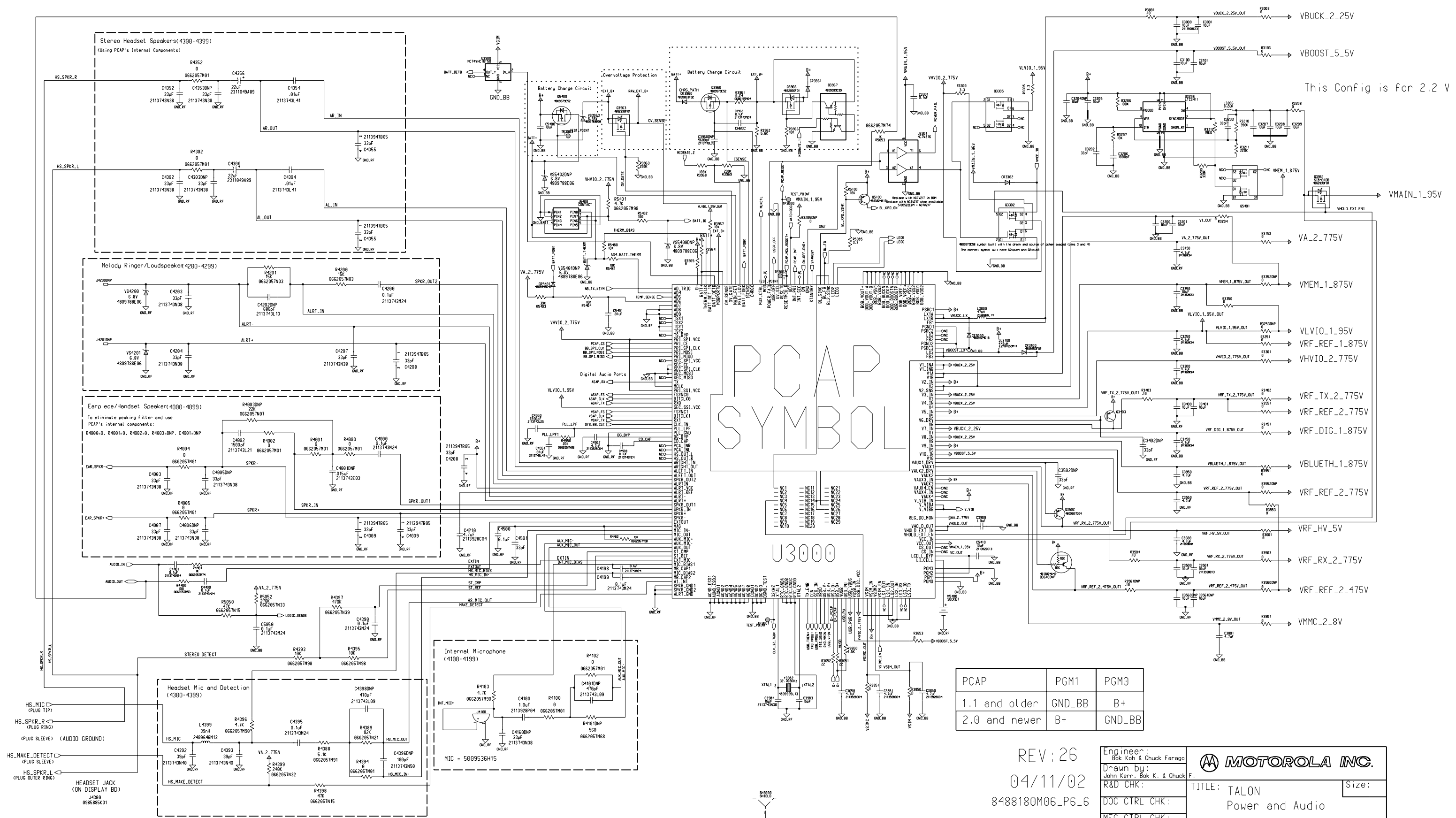


MOTOROLA CONFIDENTIAL PROPRIETARY



Engineer:	Ed Naddeo		
Drawn by:	Ed Naddeo		
R&D CHK:	TITLE: Talon		Size: B
DOC CTRL CHK:	WCSP		
MFG CTRL CHK:			
QA CHK:	REV: 1.1	Drawing Number: 8487939L01	Page: 1 OF 1
Changed by:	Date:	Time:	
Ed Naddeo	Tuesday, February 13, 2001	2:00 PM	

1.1	Removed C7005, C7006	Naddeo
-----	----------------------	--------



This Config is for 2.2 V


PCAP	PGM1	PGM0
1.1 and older	GND_BB	B+
2.0 and newer	B+	GND_BB

REV: 26

04/11/02

8488180M06_P6_6

Plot Scale = 0.8

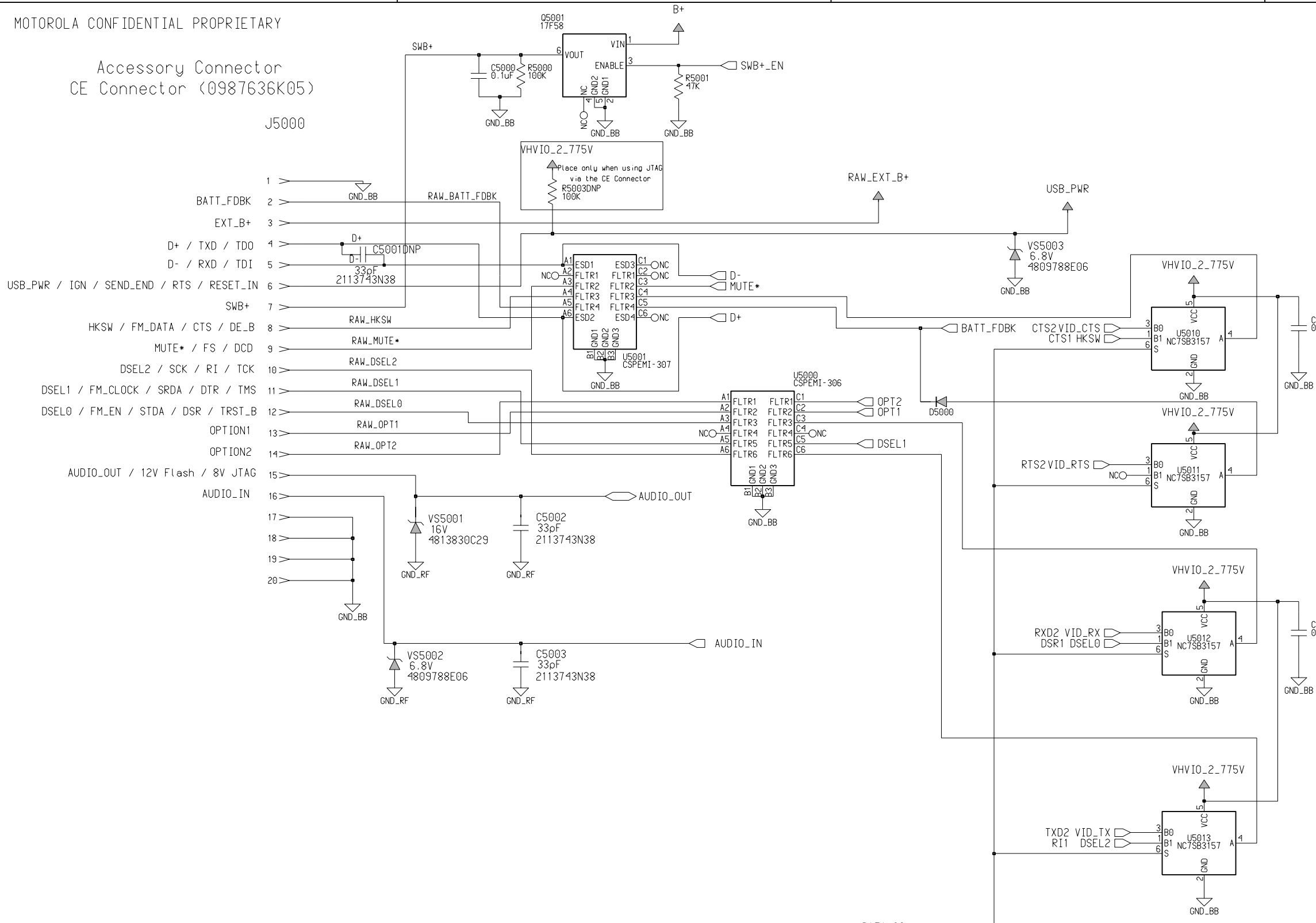
Engineer: Bok Koh & Chuck Farago	 MOTOROLA INC.	Size:
Drawn by: John Kerr, Bok K. & Chuck F.		TITLE: TALON Power and Audio
R&D CHK:	REV: Drawing Number:	Page: OF:
DOC CTRL CHK:	Date:	Time: 8:04:00 am
MFG CTRL CHK:		
QA CHK:		
Changed by:		

PCAP SHIELD

MOTOROLA CONFIDENTIAL PROPRIETARY

Accessory Connector
CE Connector (0987636K05)


J5000

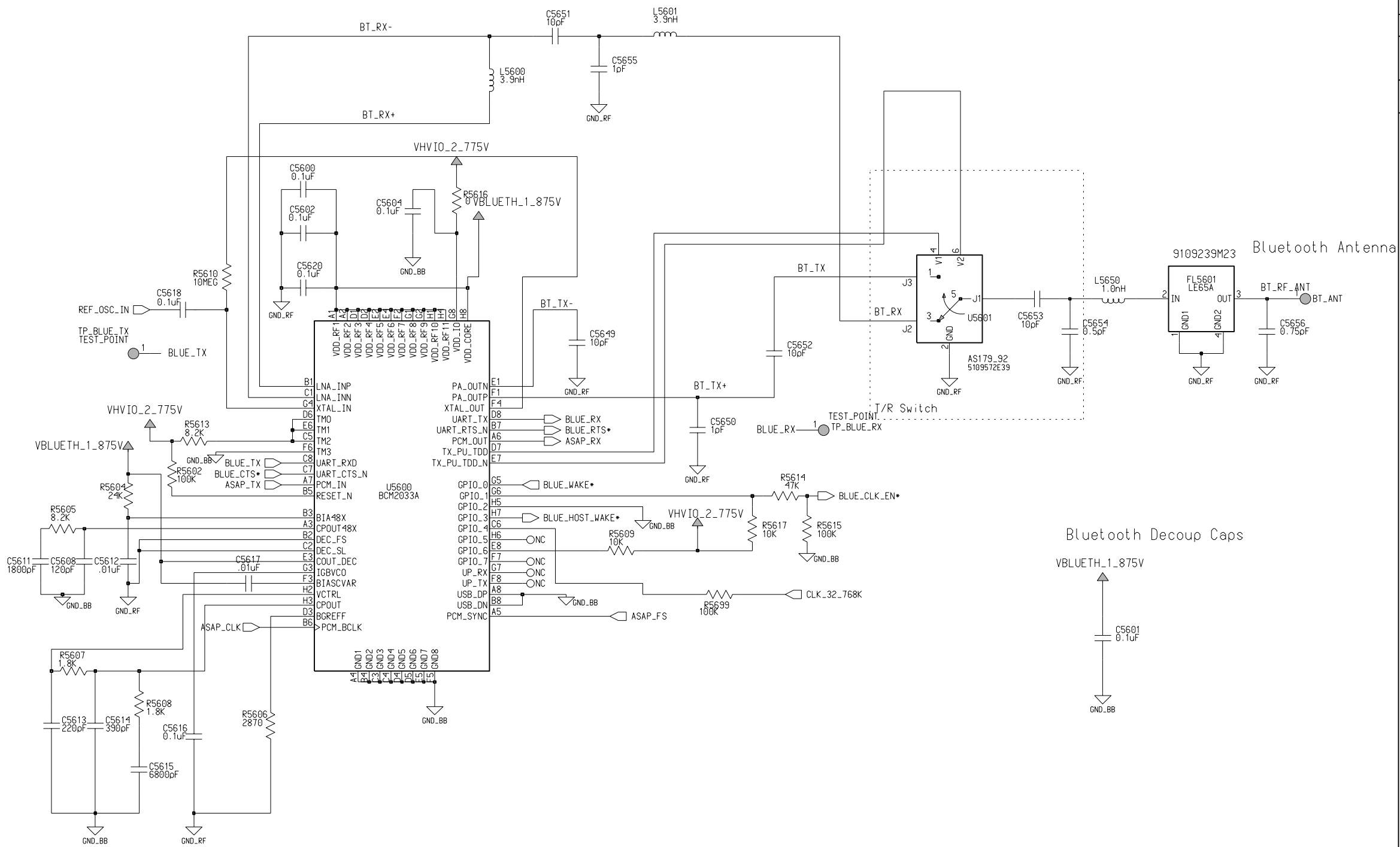


B0 - Normally Closed
B1 - Normally Open
S - Select
A - Common

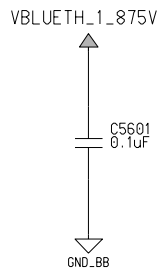
Engineer: Jennifer Seymour	MOTOROLA INC.		
Drawn by:			
R&D CHK:	TITLE: TALON	Size:	
DOC CTRL CHK:	CE Accessory Connector		
MFG CTRL CHK:	REV:	Drawing Number:	Page:
QA CHK:			OF:
Changed by: Todd J. Roesler	Date: 4/24/01	Time:	

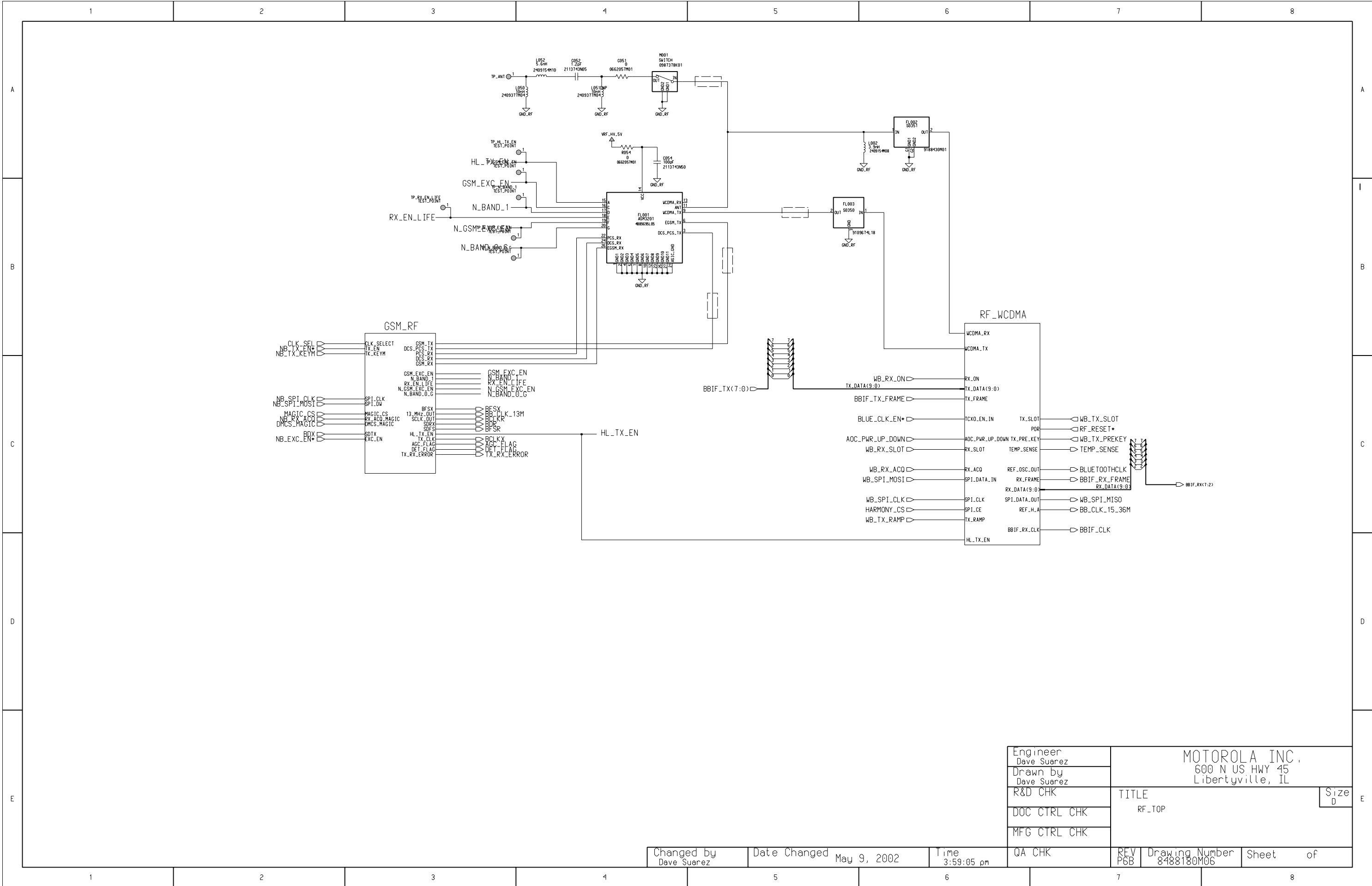
0.2	Moved CE Module Bus to daughterboard connector	4/24/01
Todd J. Roesler	Updated signal names and added DNP pullup to RESET_IN for JTAG mode.	8/15/01
Todd J. Roesler	Changed Analog switches to Fairchild	12/19/01

Engineer: Dave Stubbs	 MOTOROLA INC.		
Drawn by:	TITLE: Talon Bluetooth		Size:
R&D CHK:	REV: Drawing Number: Page: OF:		
DOC CTRL CHK:	REV: Drawing Number: Page: OF:		
MFG CTRL CHK:	REV: Drawing Number: Page: OF:		
QA CHK:	REV: Drawing Number: Page: OF:		
Changed by: Bokchain Koh	Date: April 16, 2001	Time:	



Bluetooth Decoup Caps

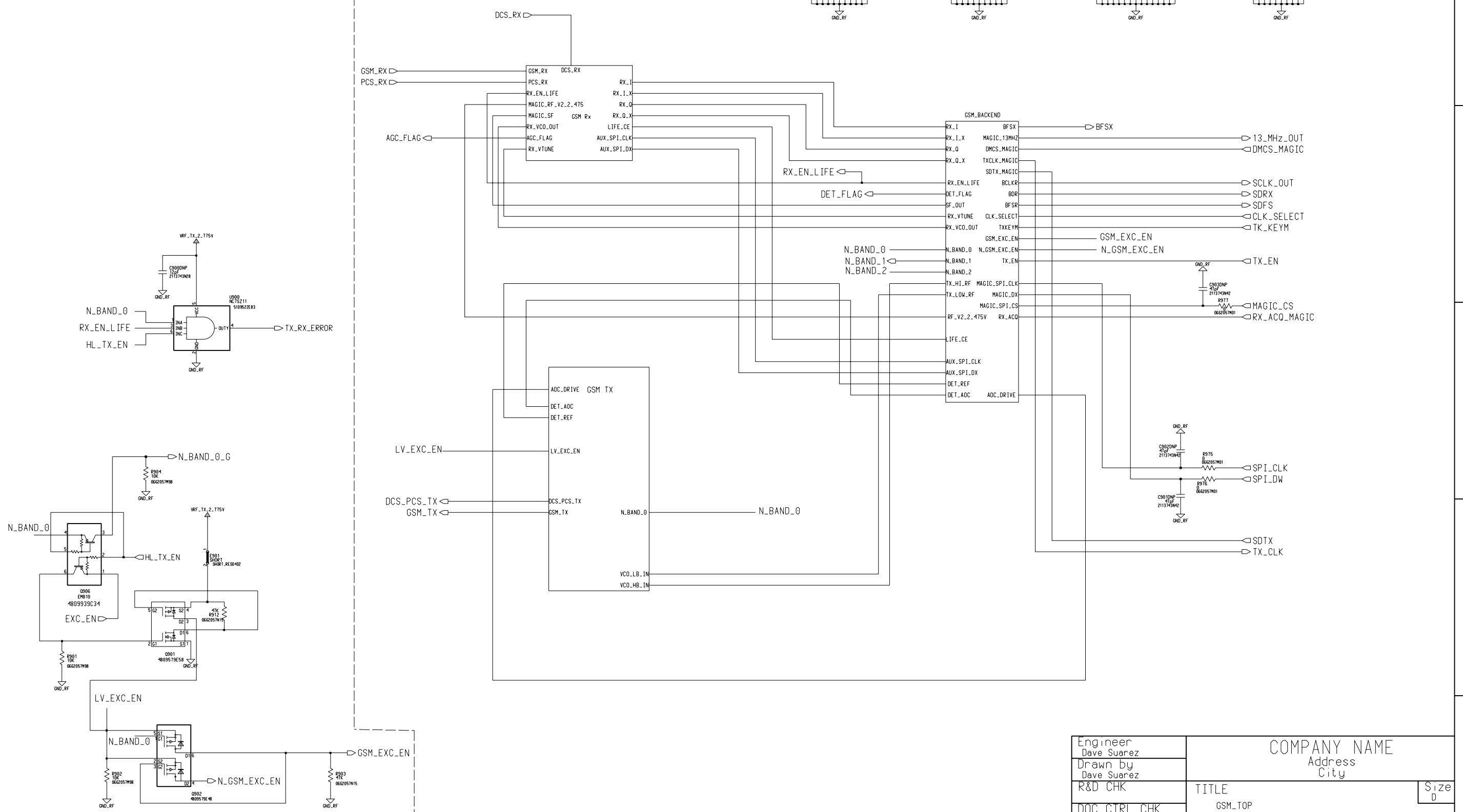




Engineer Dave Suarez	MOTOROLA INC. 600 N US HWY 45 Libertyville, IL		Size D
Drawn by Dave Suarez			
R&D CHK	TITLE		
DOC CTRL CHK	RF_TOP		
MFG CTRL CHK			
QA CHK	REV PCB	Drawing Number 8488180M06	Sheet of

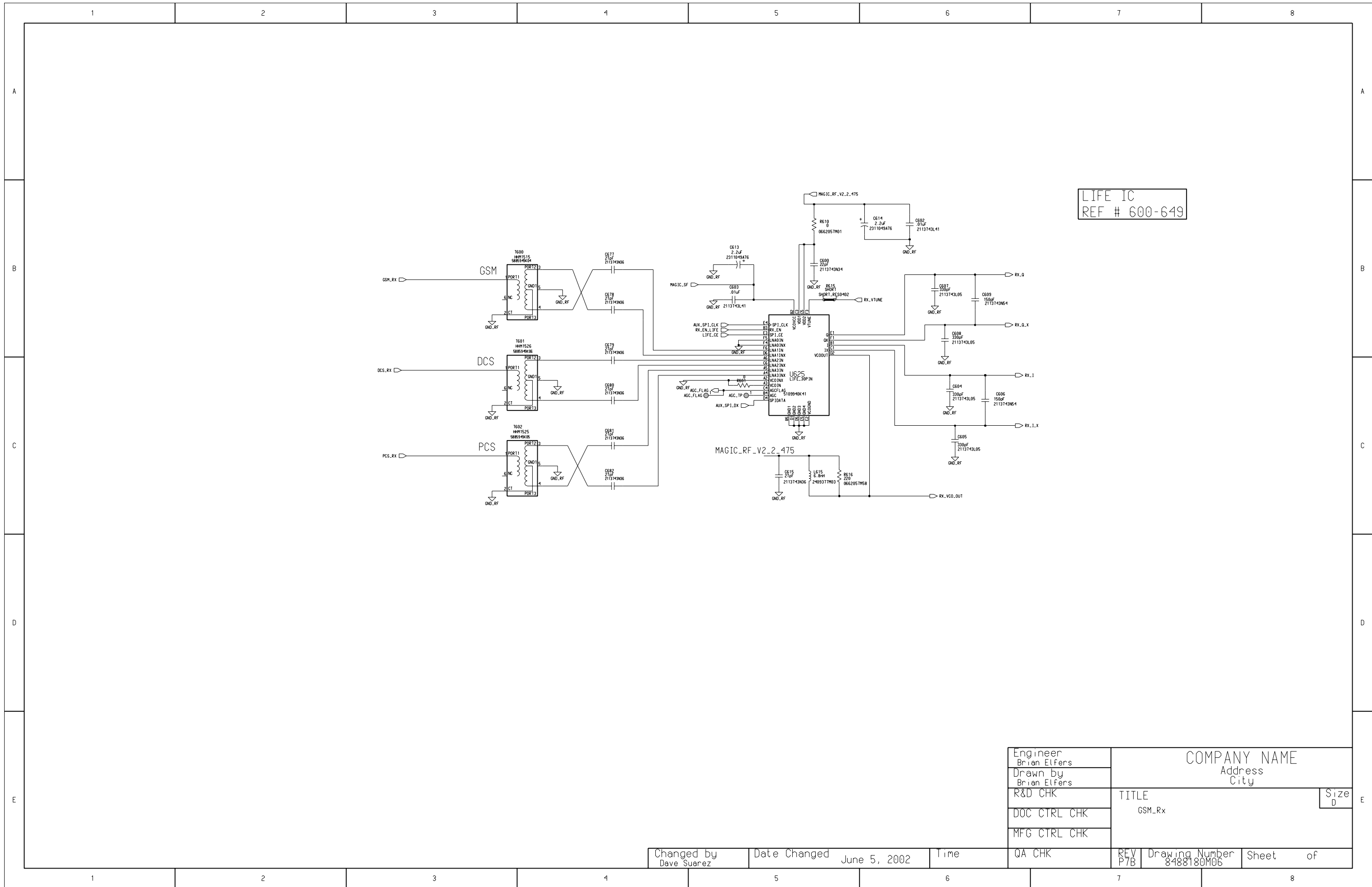
Changed by Dave Suarez Date Changed May 9, 2002 Time 3:59:05 pm

Band Select Circuits REF # 900-925



Changed by Dave Suarez	Date Changed May 29, 2002	Time	QA CHK	REV P7	Drawing Number 8488180M06	Sheet of
---------------------------	------------------------------	------	--------	-----------	------------------------------	-------------

Engineer Dave Suarez	COMPANY NAME Address City	
Drawn by Dave Suarez	TITLE GSM.TOP	Size D
R&D CHK		
DOC CTRL CHK		
MFG CTRL CHK		



LIFE IC
REF # 600-649

Engineer Brian Elfers	COMPANY NAME		
Drawn by Brian Elfers	Address		
R&D CHK	TITLE	Size	D
DOC CTRL CHK	GSM.Rx		
MFG CTRL CHK			
QA CHK	REV P7B	Drawing Number 8488180M06	Sheet of

Changed by
Dave Suarez

Date Changed
June 5, 2002

Time

1

2

3

4

5

6

7

8

1

2

3

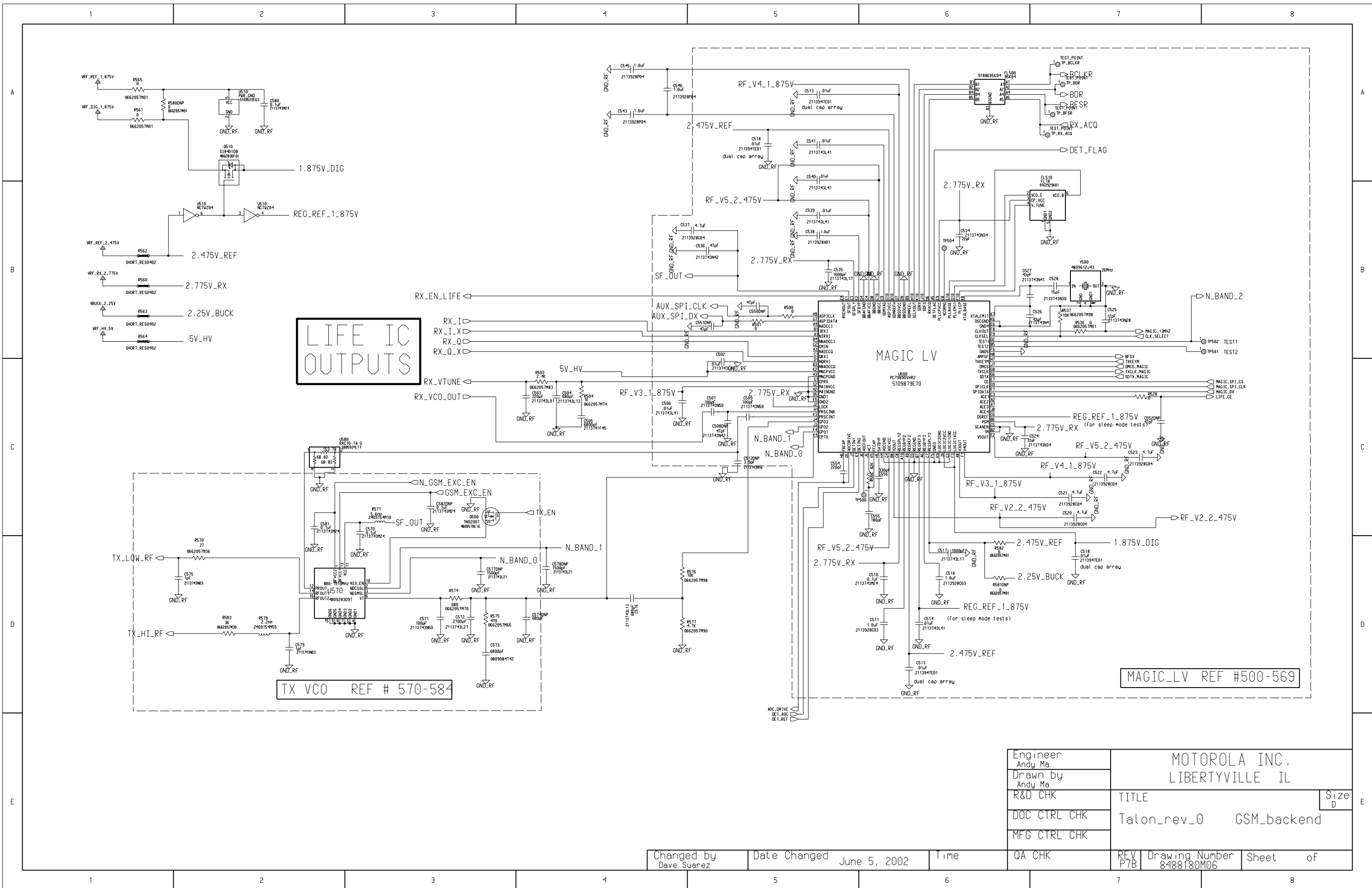
4

5

6

7

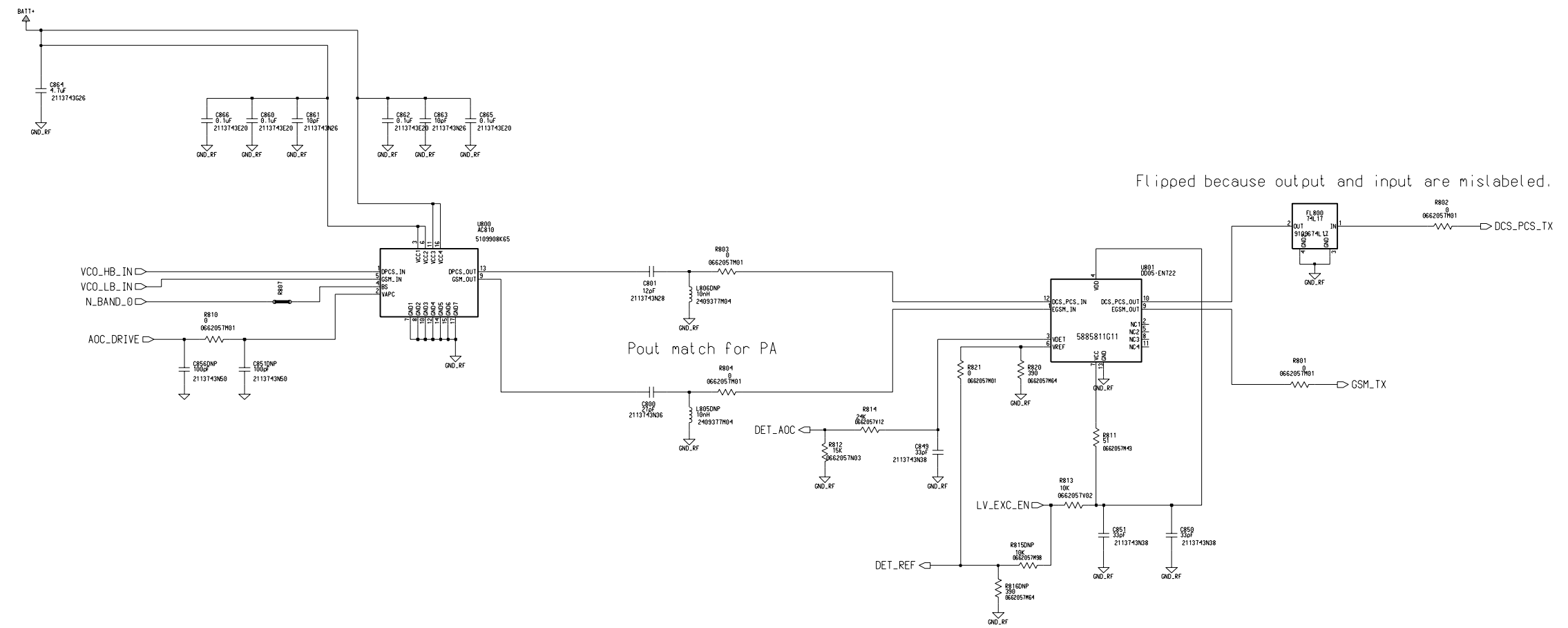
8



Engineer Andy Ma	MOTOROLA INC. LIBERTYVILLE IL		
Drawn by Andy Ma	TITLE		
R&D CHK	Talon_rev_0	GSM_backend	Size D
DOC CTRL CHK			
MFG CTRL CHK			
QA CHK	REV P7B	Drawing Number 8488180M06	Sheet of

Changed by Dave Suarez Date Changed June 5, 2002 Time

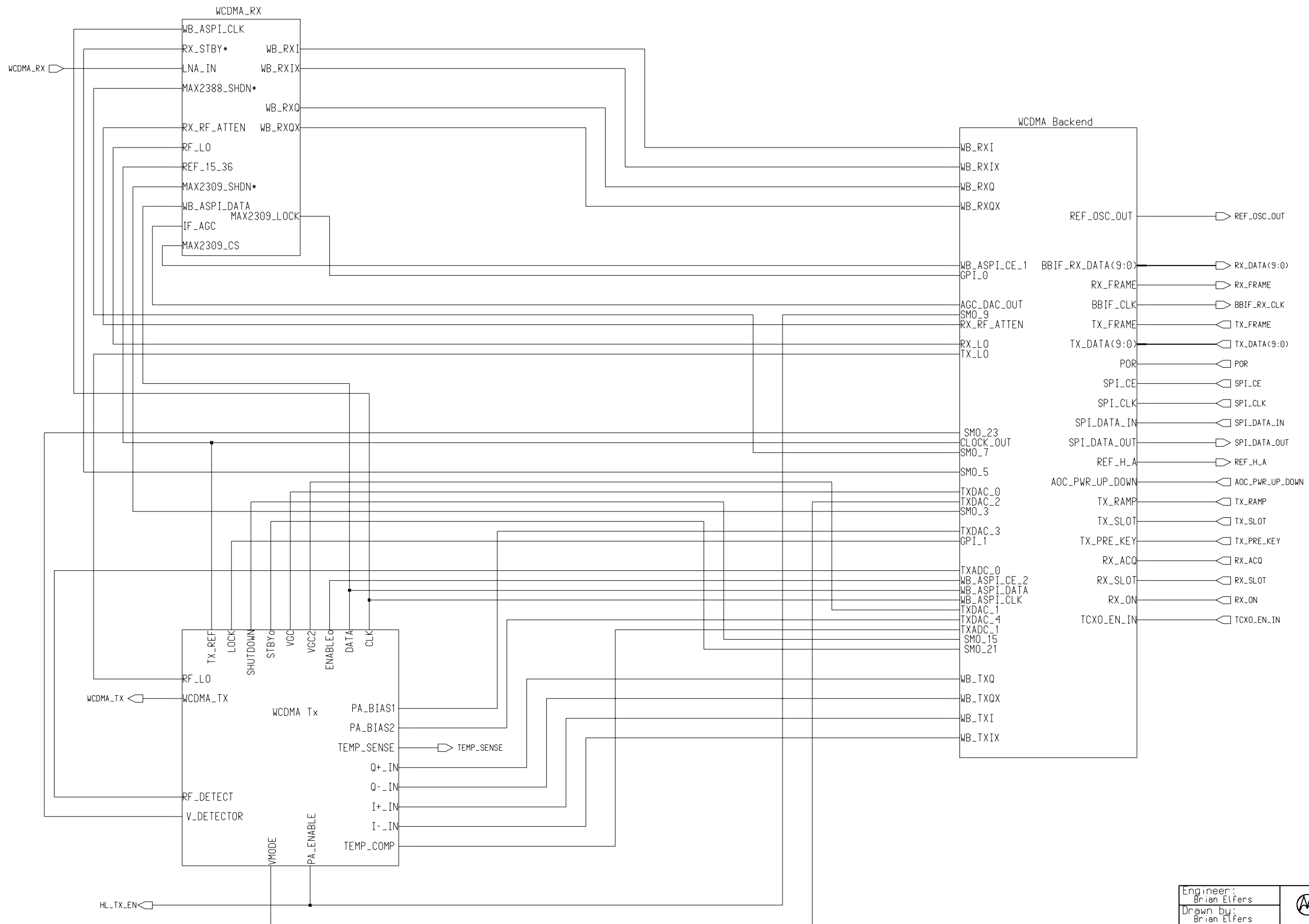
GSM Transmitter



Flipped because output and input are mislabeled.

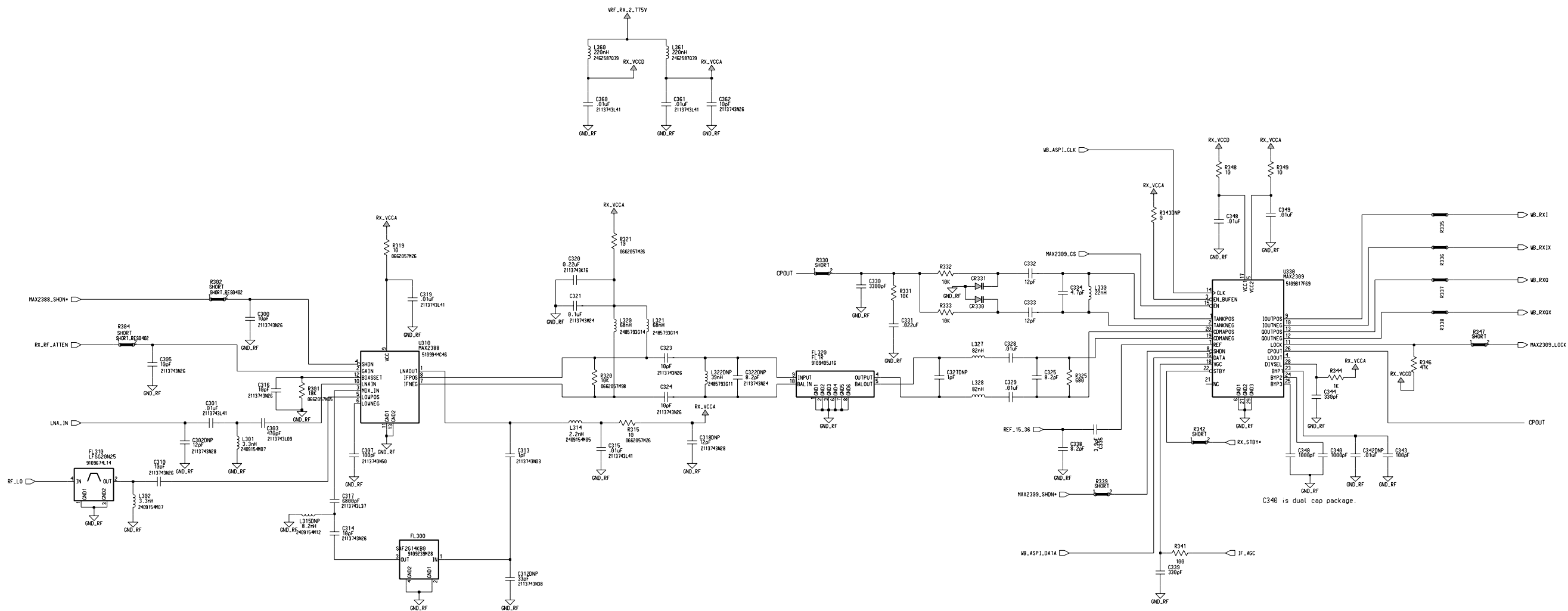
Engineer Paul Manente	COMPANY NAME Address City		
Drawn by Paul Manente			
R&D CHK	TITLE GSM_TX-D	Size D	
DOC CTRL CHK	GSM_Transmitter		
MFG CTRL CHK	REV P7B	Drawing Number 8488180M06	Sheet of

Changed by: Dave Suarez
 Date Changed: June 5, 2002
 Time:

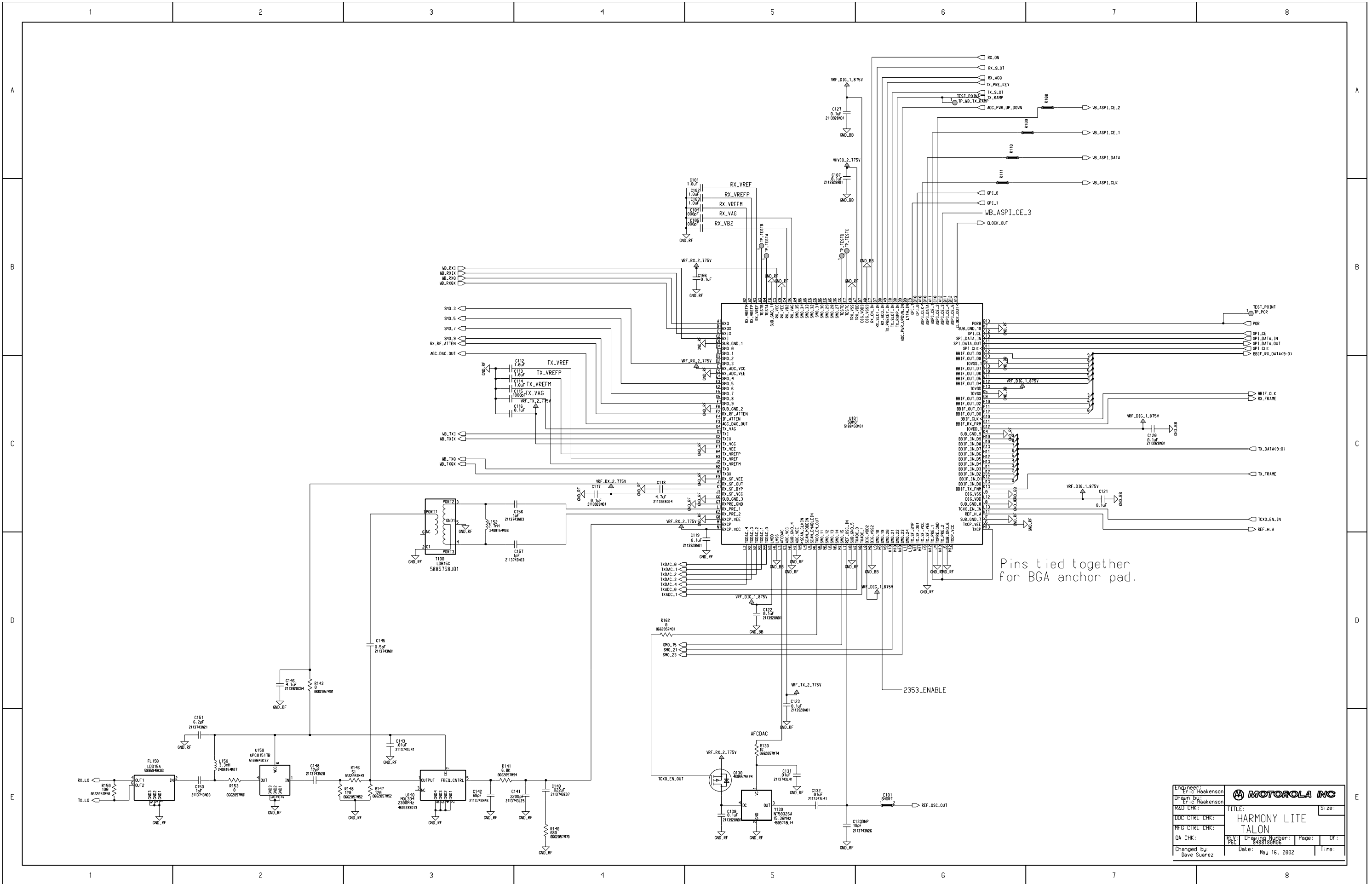


Engineer: Brian Elfers			
Drawn by: Brian Elfers			
R&D CHK:	TITLE: Talon_rev_0	Size: 11x17	
DOC CTRL CHK:	Part Size Study		
MFG CTRL CHK:	REV:	Drawing Number:	Page:
QA CHK:			OF:
Changed by: Dave Suarez	Date: Friday, April 20, 2001	Time: 4:07:28 pm	

MOTOROLA INTERNAL USE ONLY

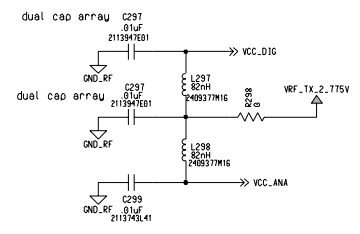


Engineer:	Randy Kressner				
Drawn by:	Randy Kressner				
REV:	PTB	TITLE:	MCMA_Rx	Size:	D
QA CHK:	D	Drawing Number:	848218DMG6	Page:	1 of 1
Changed by:	Dave Suarez	Date:	June 5, 2002	Time:	4:32:16 pm



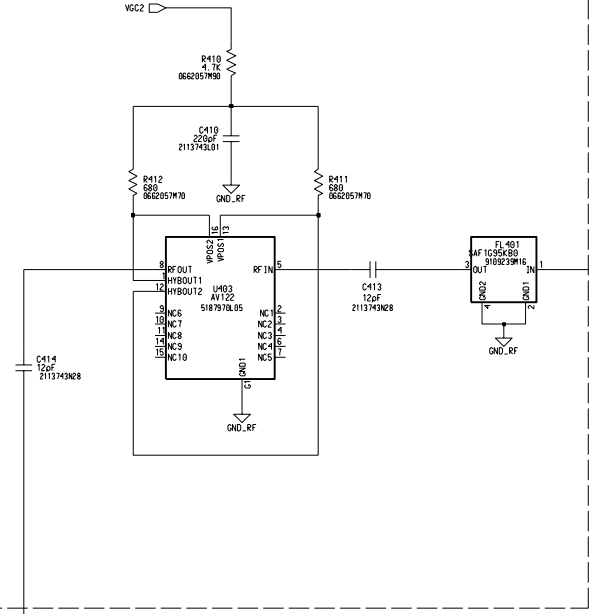
Pins tied together for BGA anchor pad.

Eng'neer: Eric Haskenson		TITLE: HARMONY LITE TALON	Size:
Dr'wn by: Eric Haskenson			
R&D CHK:	DOC CTRL CHK:	REV: 1	Page: 1
MG CTRL CHK:	QA CHK:	Drawn Number: 248908	Of: 1
Changed by: Dave Suarez	Date: May 16, 2002	Time:	

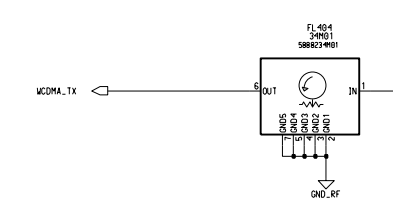
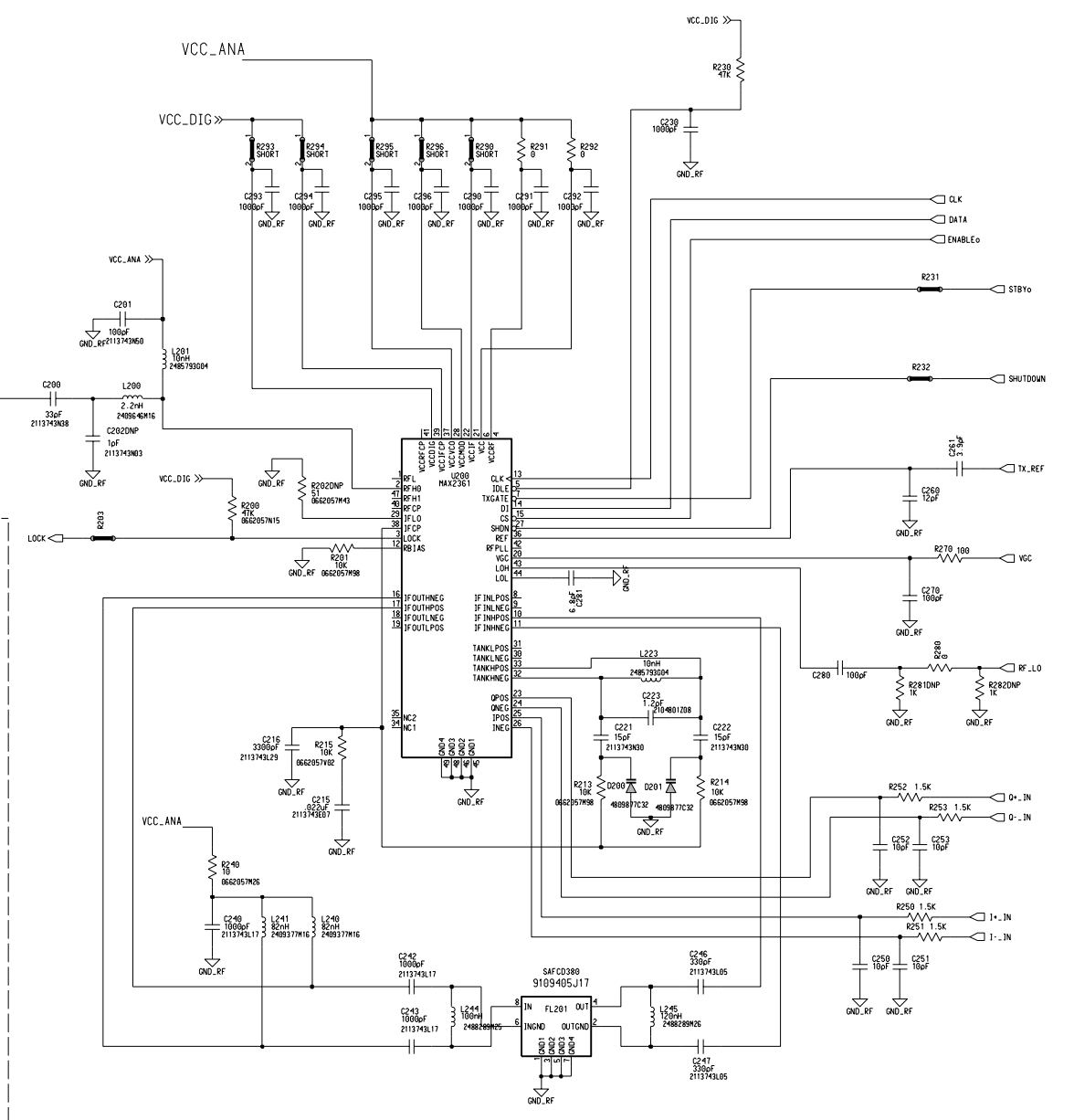


WCDMA Transmitter (TALON)

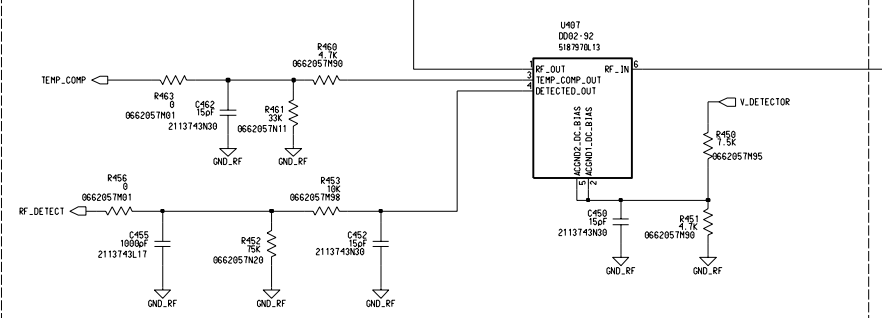
Attenuator and interstage filter 410 - 414



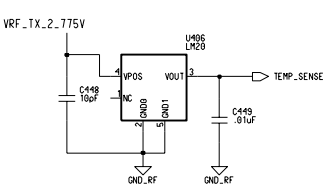
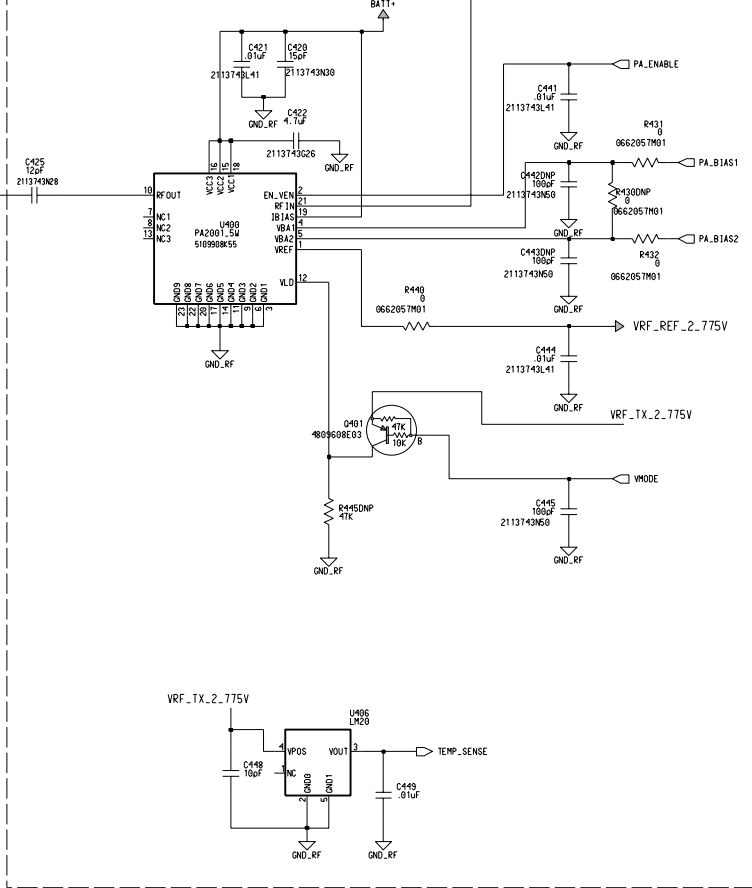
Quadrature modulator and upmixer 200-299



Power Detector 450 - 463



Power Amplifier 420 - 449



Engineer John Mura	COMPANY NAME Address City		
Drawn by John Mura	TITLE WCDMA_Tx	Size D	
R&D CHK			
DOC CTRL CHK			
MFG CTRL CHK			
QA CHK	REV P7B	Drawing Number 8488180M06	Sheet 1 of 1

Changed by Dave Suarez	Date Changed June 5, 2002	Time 4:39:58 pm
---------------------------	------------------------------	--------------------