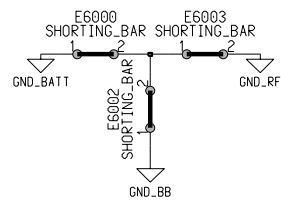


Baseband

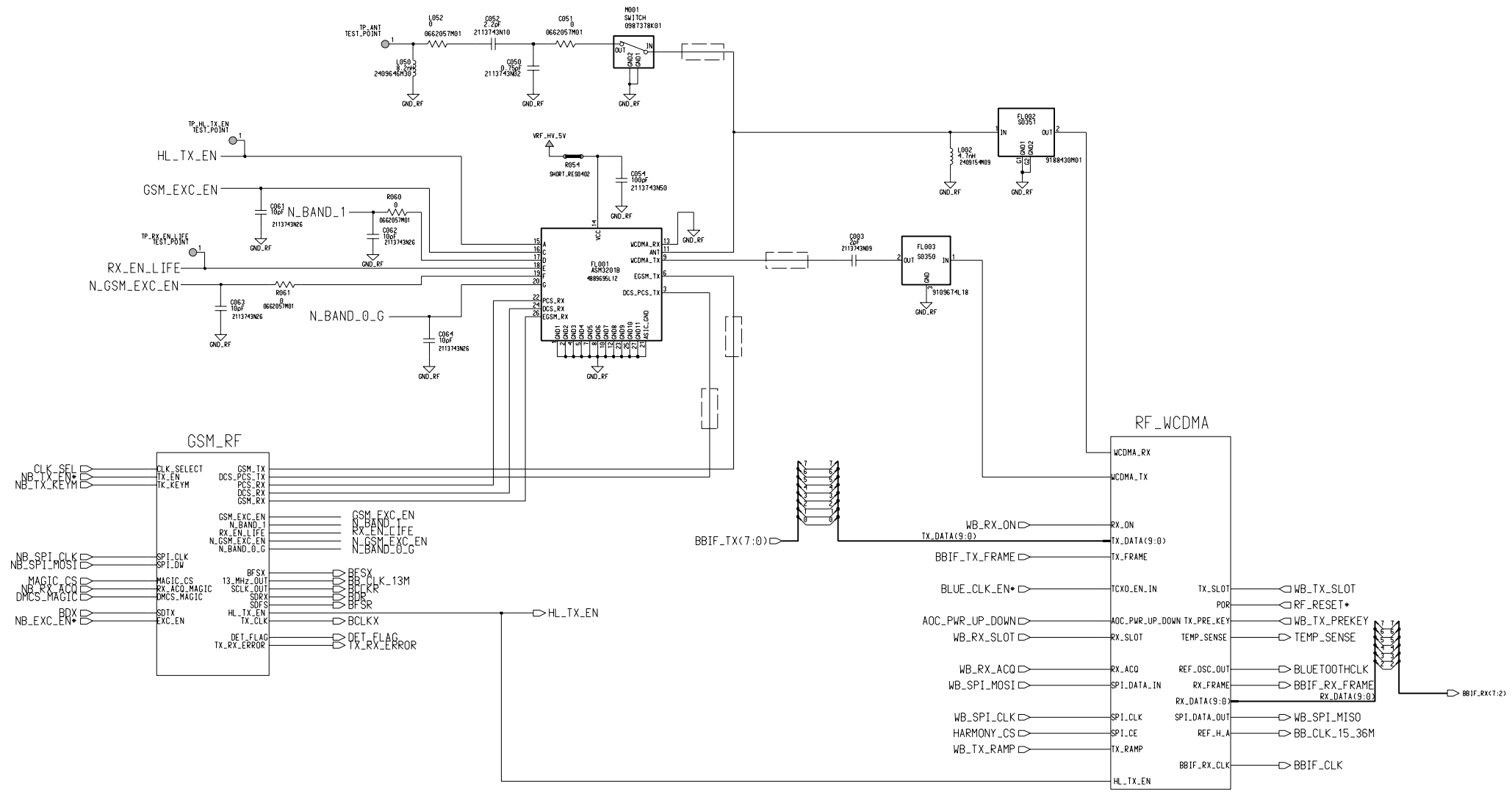
RF

BB_CLK_15_36M	BB_CLK_15_36M	BB_CLK_15_36M
TEMP_SENSE	TEMP_SENSE	TEMP_SENSE
BBIF_RX_FRM	BBIF_RX_FRAME	BBIF_RX_FRAME
BBIF_TX_FRM	BBIF_TX_FRAME	BBIF_TX_FRAME
BBIF_CLK	BBIF_CLK	BBIF_CLK
BBIF_TX<7:0>	BBIF_TX<7:0>	BBIF_TX<7:0>
BBIF_RX<5:0>	BBIF_RX<5:0>	BBIF_RX<7:2>
TX_RX_ERROR	TX_RX_ERROR	TX_RX_ERROR
HARMONY_CS	HARMONY_CS	HARMONY_CS
WB_SPI_MISO	WB_SPI_MISO	WB_SPI_MISO
WB_SPI_CLK	WB_SPI_CLK	WB_SPI_CLK
WB_SPI_MOSI	WB_SPI_MOSI	WB_SPI_MOSI
RF_RESET*	RF_RESET*	RF_RESET*
BLUE_CLK_EN*	BLUE_CLK_EN*	BLUE_CLK_EN*
WB_RX_ON	WB_RX_ON	WB_RX_ON
WB_TX_RAMP	WB_TX_RAMP	WB_TX_RAMP
WB_RX_ACQ	WB_RX_ACQ	WB_RX_ACQ
WB_TX_SLOT	WB_TX_SLOT	WB_TX_SLOT
WB_RX_SLOT	WB_RX_SLOT	WB_RX_SLOT
AOC_PWR_UP_DOWN	AOC_PWR_UP_DOWN	AOC_PWR_UP_DOWN
WB_TX_PREKEY	WB_TX_PREKEY	WB_TX_PREKEY
NB_RX_ACQ	NB_RX_ACQ	NB_RX_ACQ
NB_TX_KEYM	NB_TX_KEYM	NB_TX_KEYM
NB_TX_EN*	NB_TX_EN*	NB_TX_EN*
NB_EXC_EN*	NB_EXC_EN*	NB_EXC_EN*
DET_FLAG	DET_FLAG	DET_FLAG
AGC_FLAG		
CLK_SEL	CLK_SEL	CLK_SEL
MAGIC_CS	MAGIC_CS	MAGIC_CS
NB_SPI_MOSI	NB_SPI_MOSI	NB_SPI_MOSI
NB_SPI_CLK	NB_SPI_CLK	NB_SPI_CLK
DMCS_MAGIC	DMCS_MAGIC	DMCS_MAGIC
BDX	BDX	BDX
BFSR	BFSR	BFSR
BCLKX	BCLKX	BCLKX
BCLKR	BCLKR	BCLKR
BDR	BDR	BDR
BFSX	BFSX	BFSX
BB_CLK_13M	BB_CLK_13M	BB_CLK_13M
REF_OSC_IN	BLUETOOTHCLK	BLUETOOTHCLK
HL_TX_EN	HL_TX_EN	HL_TX_EN

TP6000	1	BBIF_RX_FRAME
TP6001	1	BBIF_TX_FRAME
TP6002	1	BBIF_CLK
TP6003	1	BBIF_RX<5>
TP6004	1	BBIF_RX<4>
TP6005	1	BBIF_RX<3>
TP6006	1	BBIF_RX<2>
TP6007	1	BBIF_RX<1>
TP6008	1	BBIF_RX<0>
TP6009	1	BBIF_TX<7>
TEST_POINT TP6010	1	BBIF_TX<6>
TEST_POINT TP6011	1	BBIF_TX<5>
TEST_POINT TP6012	1	BBIF_TX<4>
TEST_POINT TP6013	1	BBIF_TX<3>
TEST_POINT TP6014	1	BBIF_TX<2>
TEST_POINT TP6015	1	BBIF_TX<1>
TEST_POINT TP6016	1	BBIF_TX<0>
TEST_POINT		



Engineer: John Kerr			
Drawn by: John Kerr			
R&D CHK:	TITLE: Talon	Size: 11x17	
DOC CTRL CHK:	Top Level		
MFG CTRL CHK:	REV:	Drawing Number:	Page:
QA CHK:	Date: February 1, 2001		Time: 10:43:18 am
Changed by: Ed Naddeo			



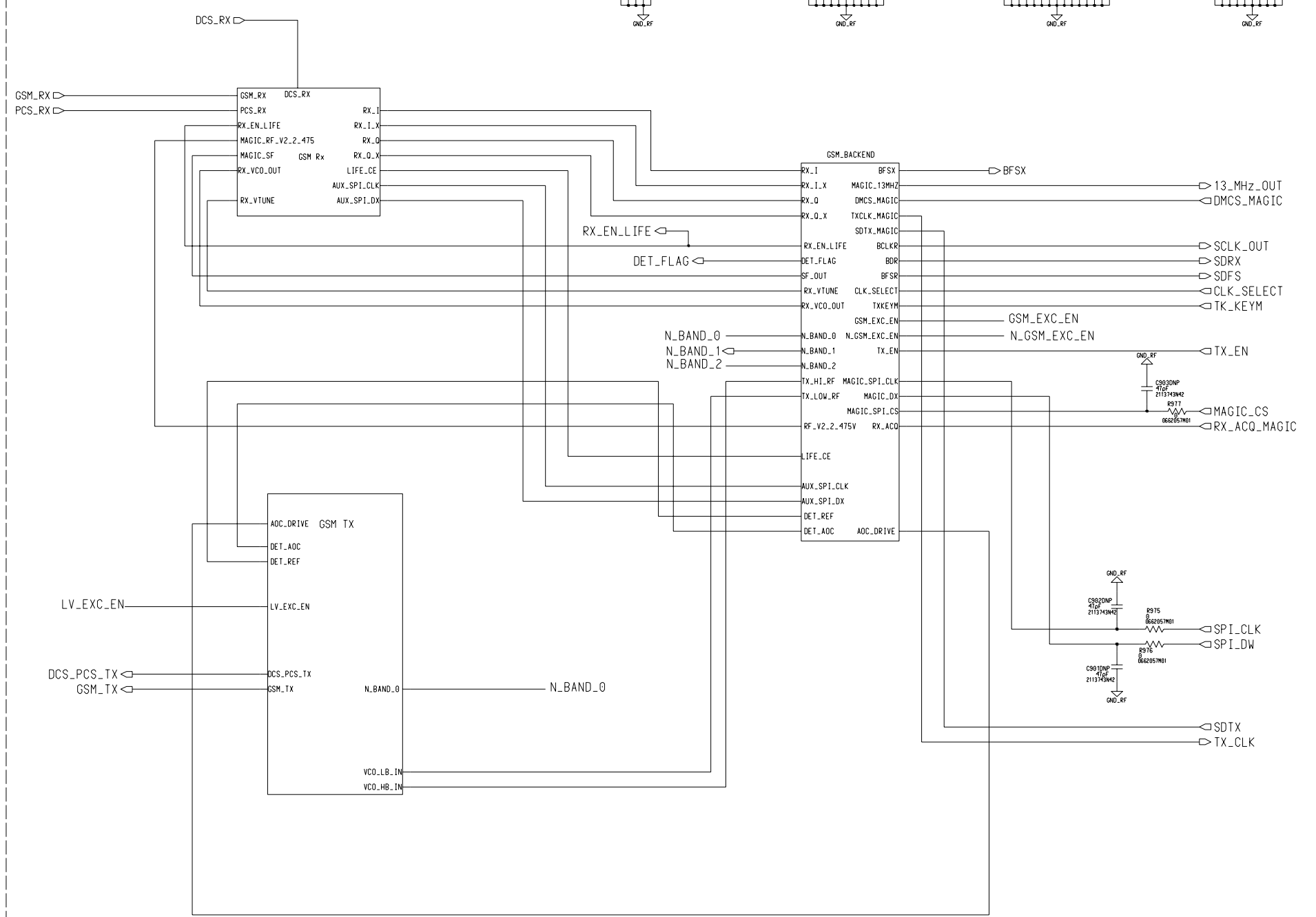
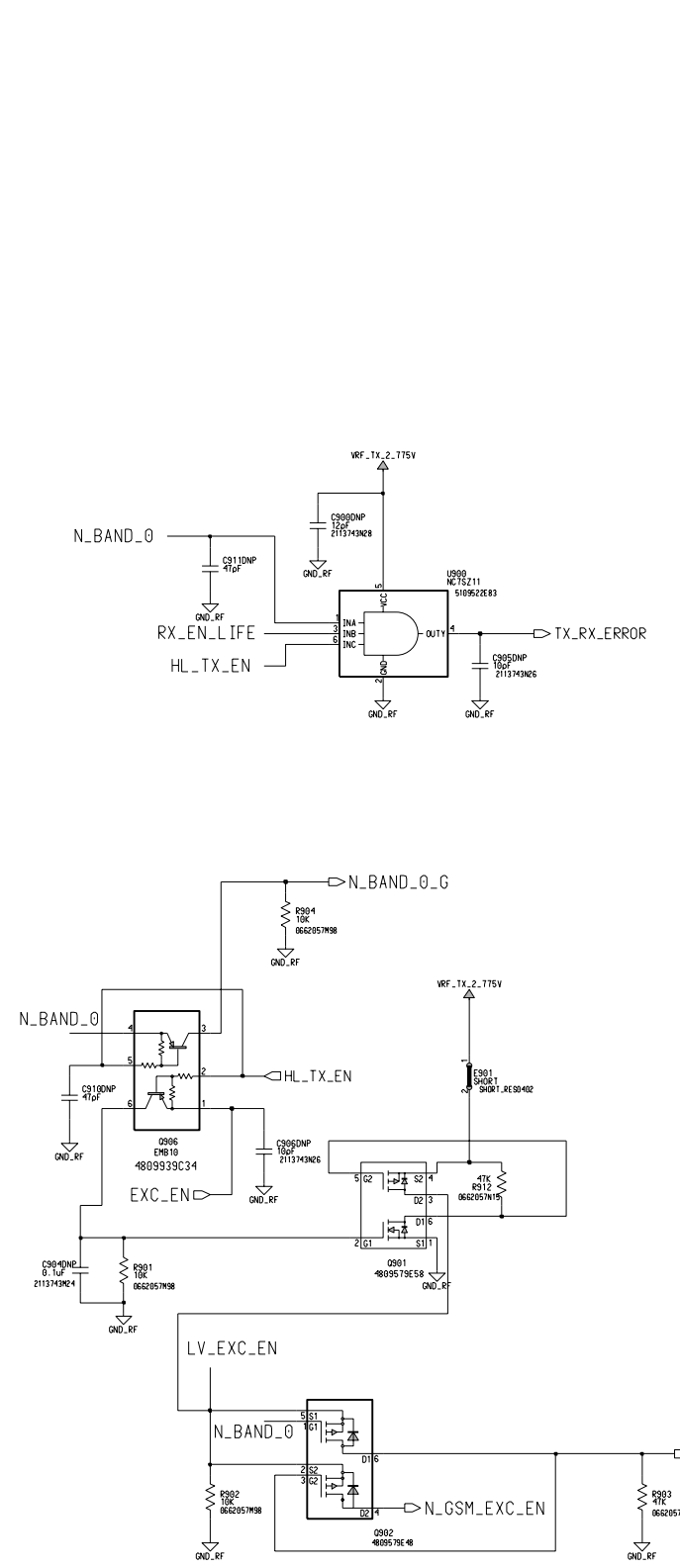
Engineer Dave Suarez	MOTOROLA INC. 600 N US HWY 45 Libertyville, IL		
Drawn by Dave Suarez			
R&D CHK	TITLE	Size	
DOC CTRL CHK	RF_TOP	D	
MFG CTRL CHK			
QA CHK	REV P&F	Drawing Number 8488180M10	Sheet of

Changed by
Dave Suarez

Date Changed
September 17, 2002

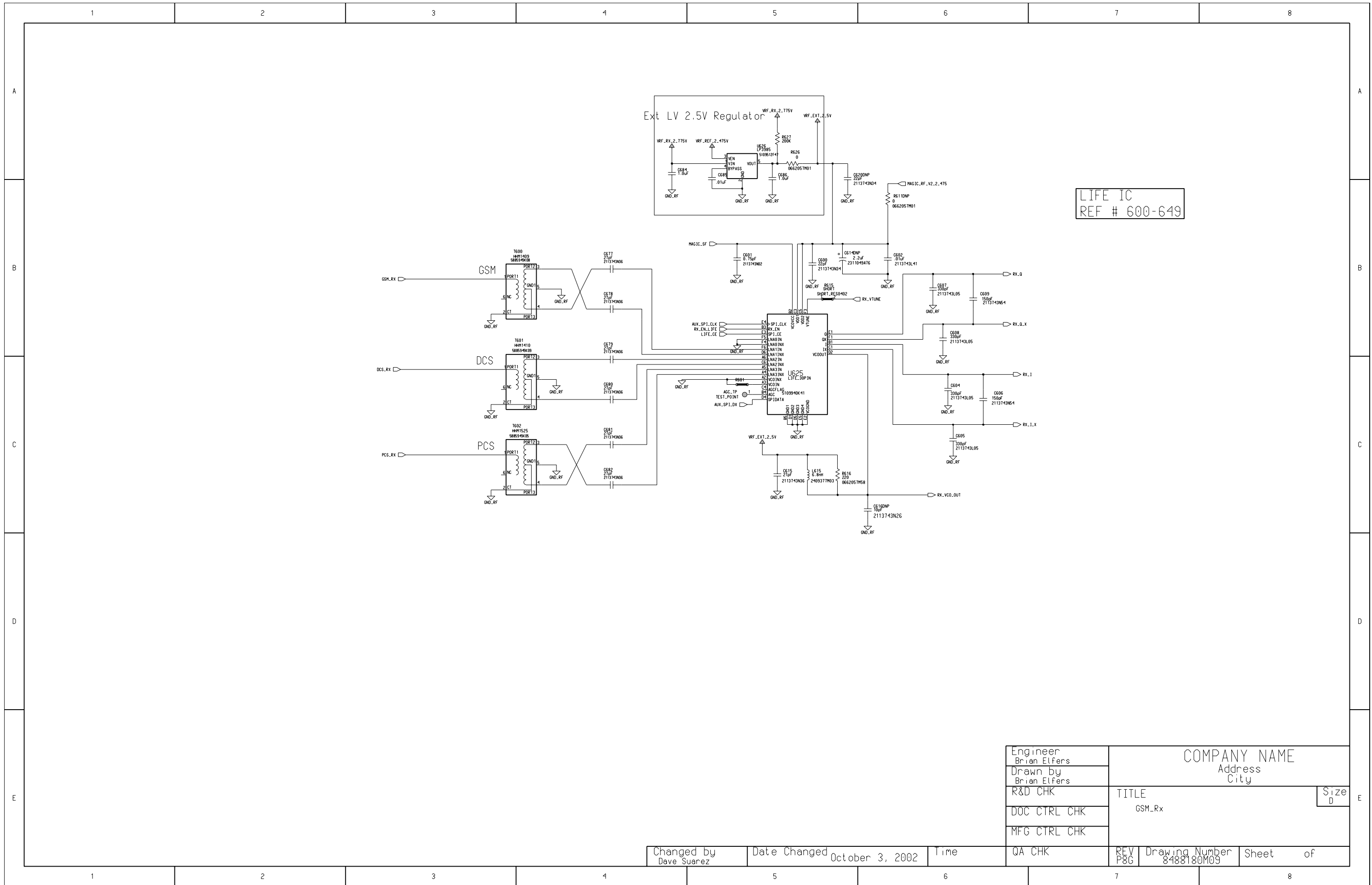
Time
3:59:05 pm

Band Select Circuits REF # 900-925



Engineer Dave Suarez	COMPANY NAME		Size D
Drawn by Dave Suarez	Address City		
R&D CHK	TITLE GSM.TOP		
DOC CTRL CHK			
MFG CTRL CHK			
QA CHK	REV P8C	Drawing Number 8488180M09	Sheet of

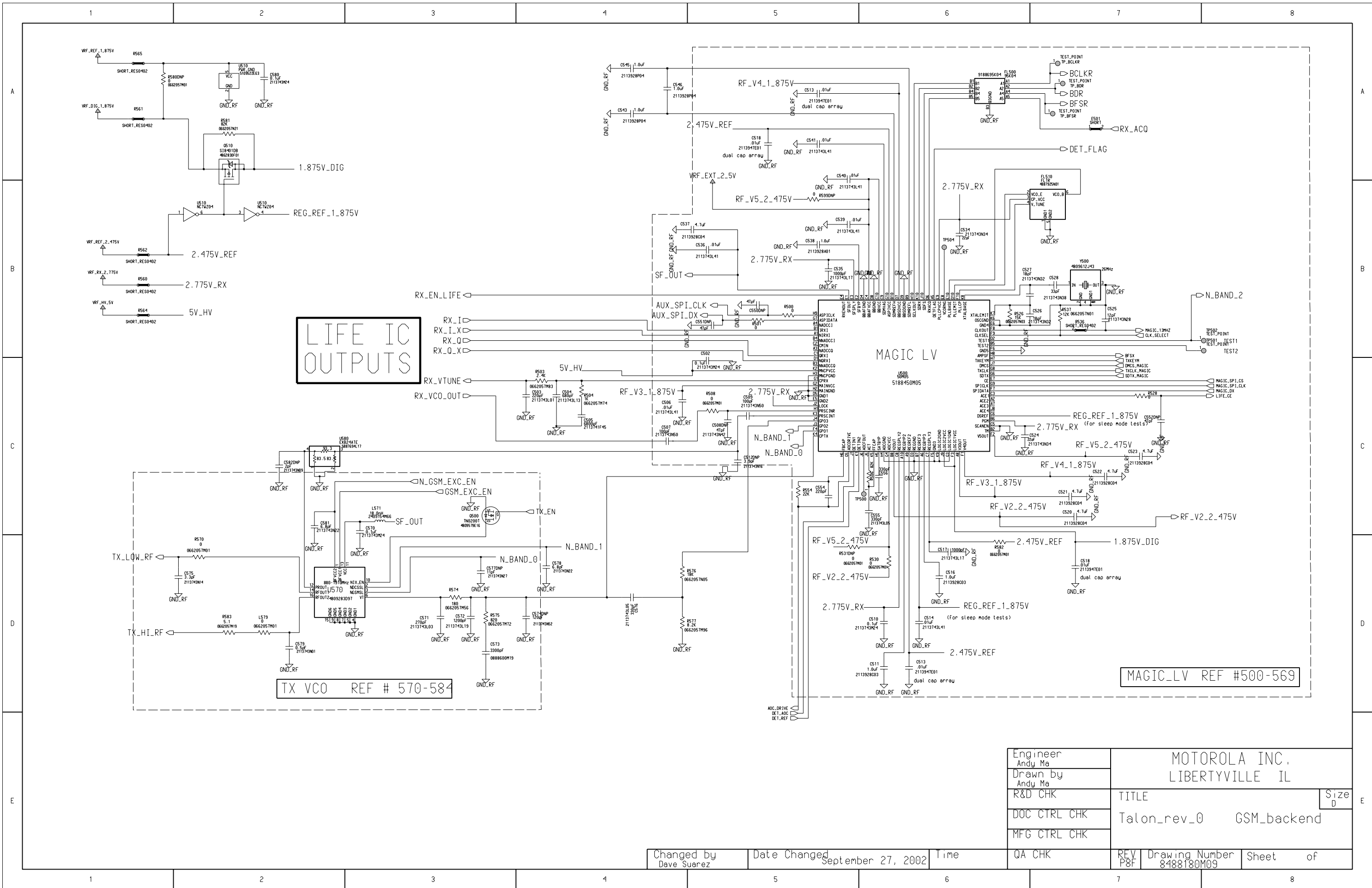
Changed by Dave Suarez Date Changed October 3, 2002 Time



LIFE IC
REF # 600-649

Engineer Brian Elfers	COMPANY NAME		
Drawn by Brian Elfers	Address City		
R&D CHK	TITLE	Size D	
DOC CTRL CHK	GSM_Rx		
MFG CTRL CHK			
QA CHK	REV P8C	Drawing Number 8488180M09	Sheet of

Changed by Dave Suarez Date Changed October 3, 2002 Time



LIFE IC
OUTPUTS

TX VCO REF # 570-584

MAGIC_LV REF #500-569

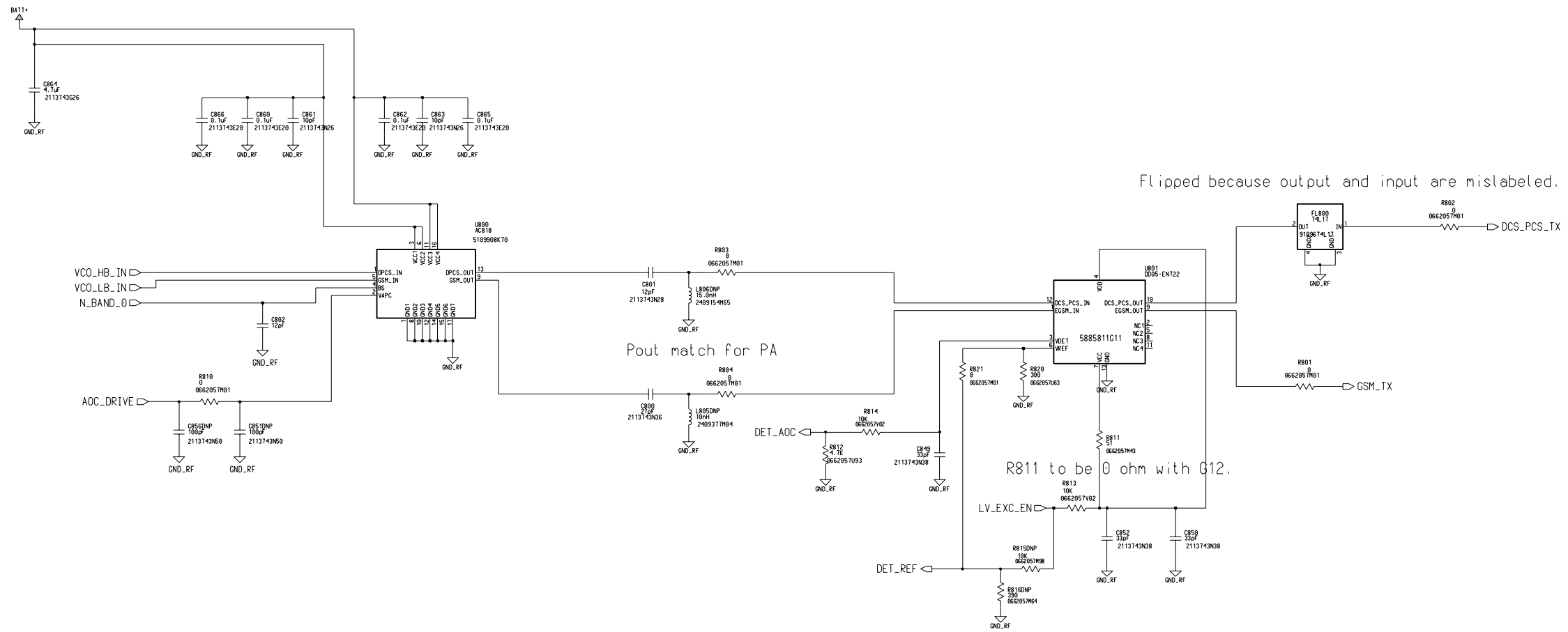
Engineer Andy Ma	MOTOROLA INC, LIBERTYVILLE IL		
Drawn by Andy Ma	TITLE		
R&D CHK	Talon_rev_0	GSM_backend	Size D
DOC CTRL CHK			
MFG CTRL CHK			
QA CHK	REV P&F	Drawing Number 8488180M09	Sheet of

Changed by
Dave Suarez

Date Changed
September 27, 2002

Time

GSM Transmitter



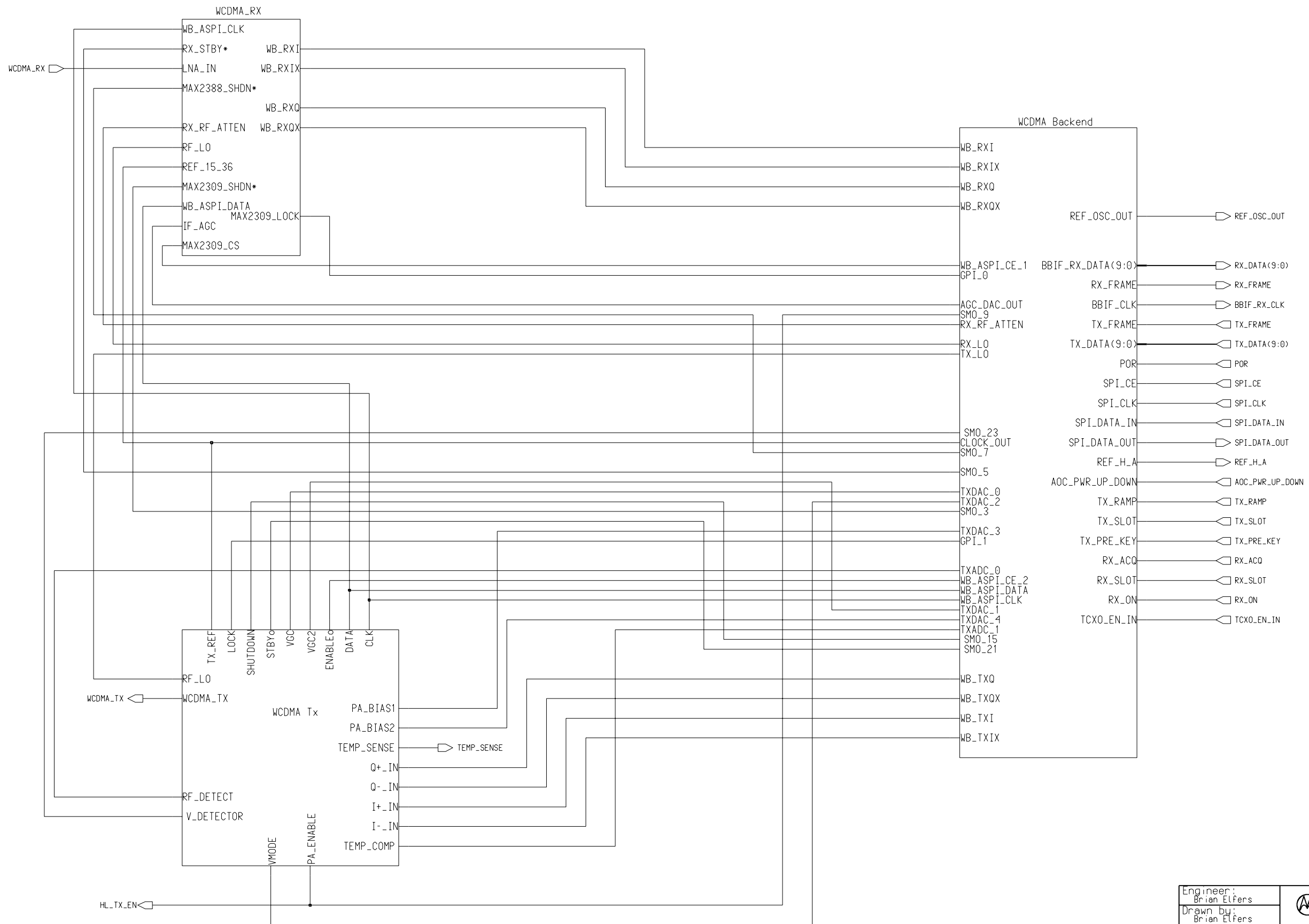
Flipped because output and input are mislabeled.

Pout match for PA

R811 to be 0 ohm with G12.

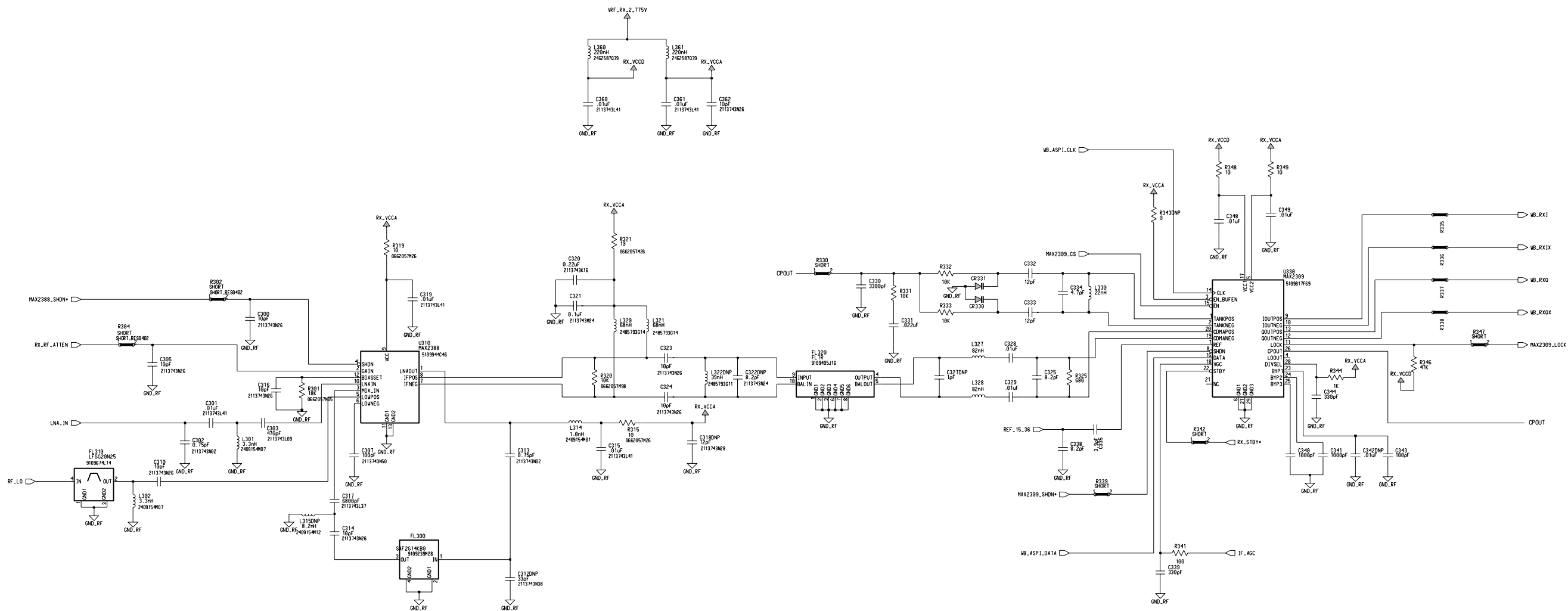
Engineer Paul Manente	COMPANY NAME		
Drawn by Paul Manente	Address City		
R&D CHK	TITLE	Size D	
DOC CTRL CHK	GSM_TX-D		
MFG CTRL CHK	GSM_Transmitter		
QA CHK	REV P8F	Drawing Number 8488180M09	Sheet of


Changed by Dave Suarez Date Changed September 24, 2002 Time

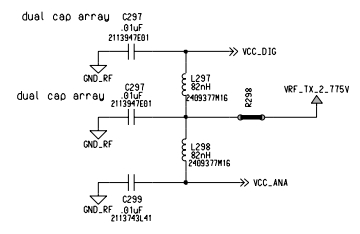


Engineer: Brian Elfers			
Drawn by: Brian Elfers			
R&D CHK:	TITLE: Talon_rev_0	Size: 11x17	
DOC CTRL CHK:	Part Size Study		
MFG CTRL CHK:	REV:	Drawing Number:	Page:
QA CHK:			OF:
Changed by: Dave Suarez	Date: Friday, April 20, 2001	Time: 4:07:28 pm	

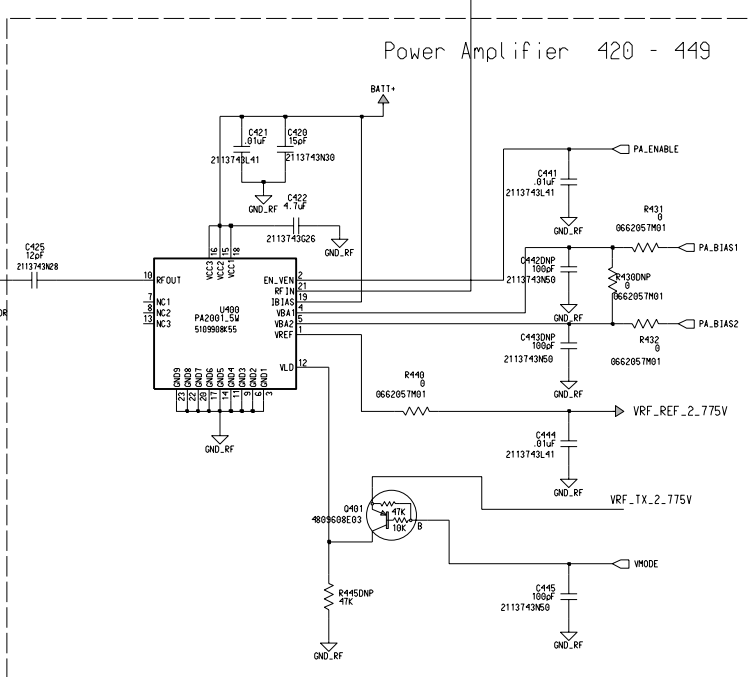
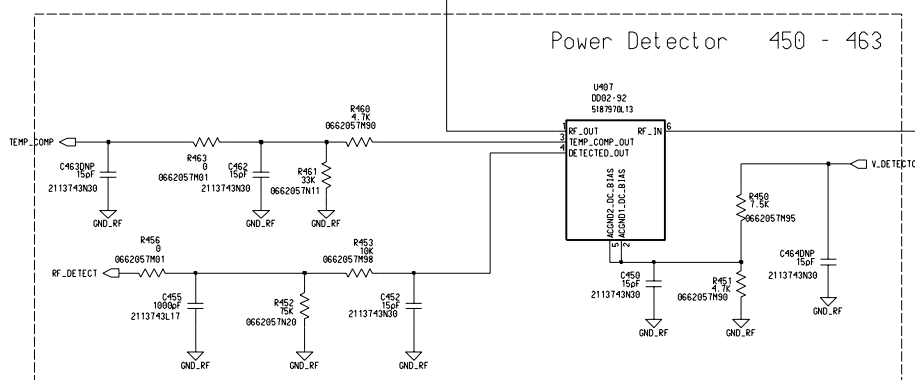
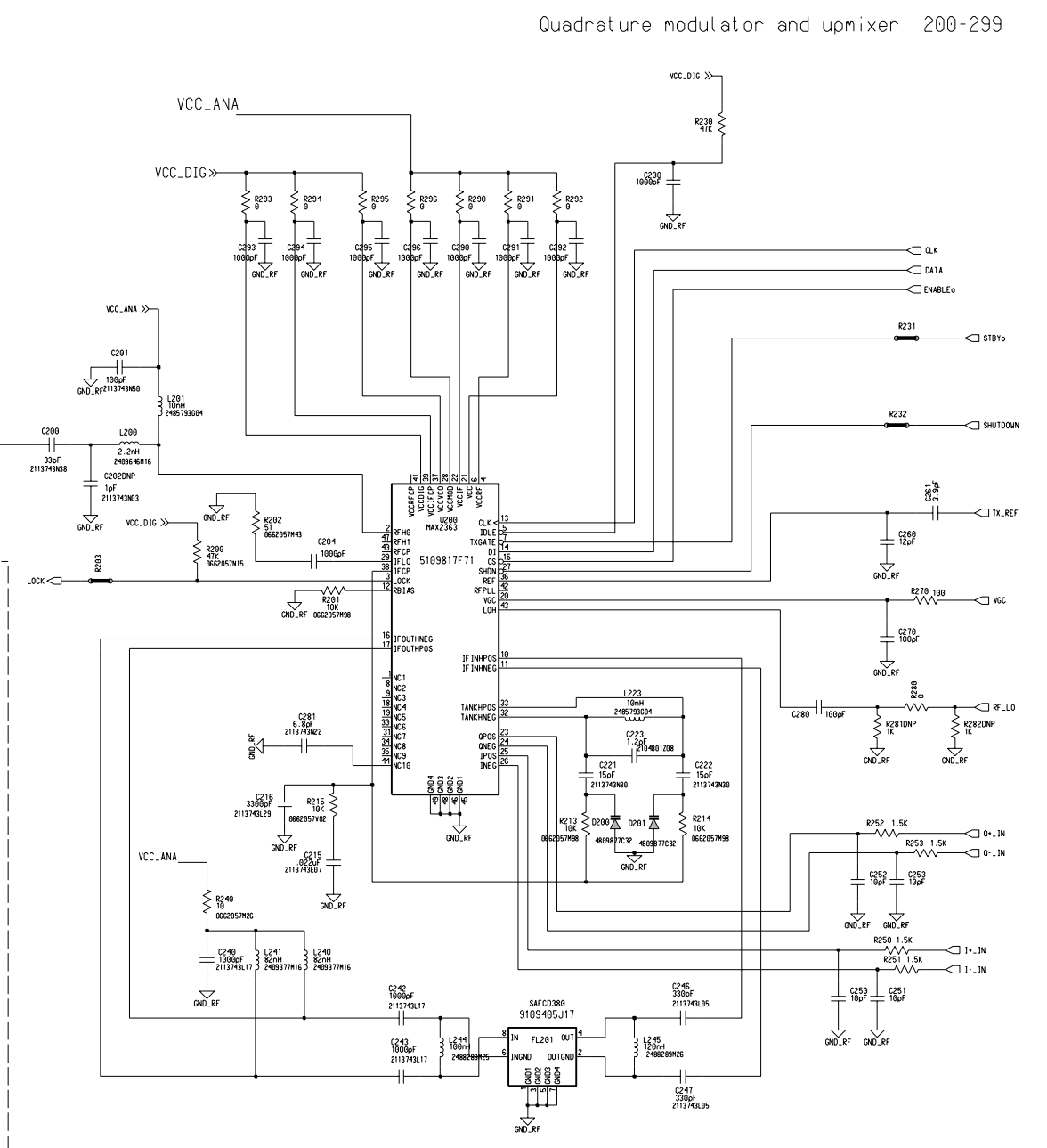
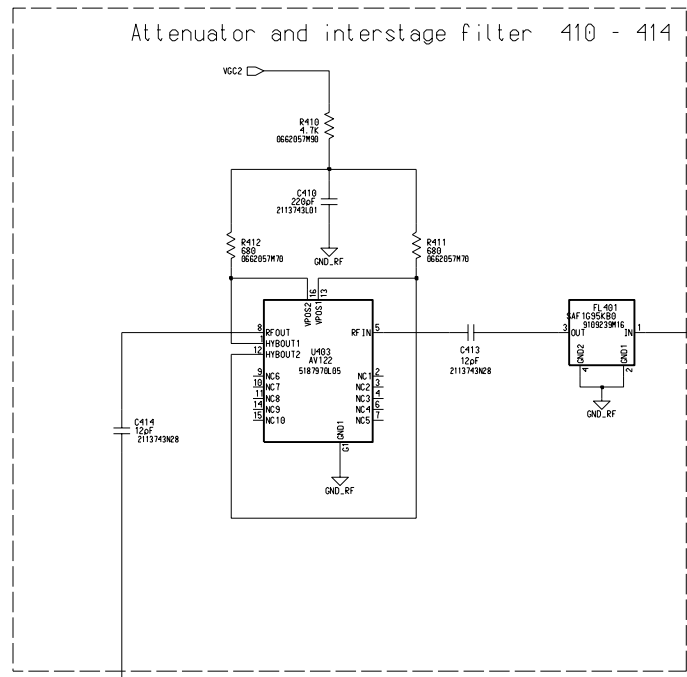
MOTOROLA INTERNAL USE ONLY



Engineer:	Randy Kressner		Size:	D			
Drawn by:	Randy Kressner		TITLE:	MCMA_Rx			
REV:	PBA	Drawing Number:	848218DM08	Page:	1	Of:	1
QA CHK:	D	Date:	July 12, 2002	Time:	4:33:16 pm		
Changed by:	Dave Suarez						



WCDMA Transmitter (TALON)



Engineer John Mura	COMPANY NAME Address City		
Drawn by John Mura	TITLE WCDMA_Tx	Size D	
R&D CHK	QA CHK	REV P8F	Drawing Number 8488180M09
DOC CTRL CHK	MFG CTRL CHK	Time September 25, 2002 4:39:58 pm	Sheet 1 of 1

Changed by Dave Suarez Date Changed September 25, 2002 Time 4:39:58 pm

MOTOROLA CONFIDENTIAL PROPRIETARY

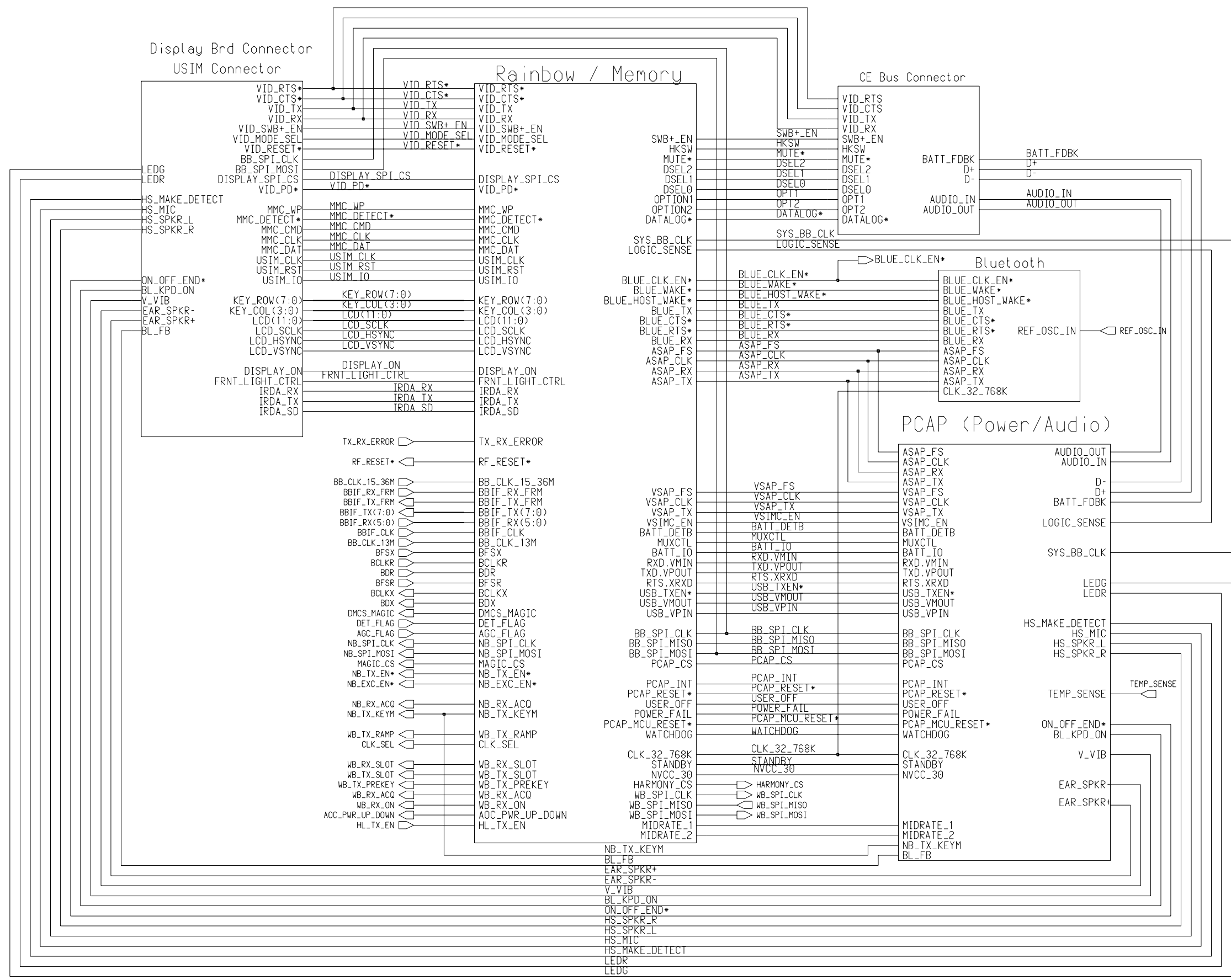
Engineer: John S. Kerr			
Drawn by: Todd Roester			
R&D CHK:	TITLE: Talon	Size: 11x17	
DOC CTRL CHK:	Baseband Top Level		
MFG CTRL CHK:	REV:	Drawing Number:	Page: OF:
QA CHK:	Date: Wednesday, March 14, 2001	Time: 10:39:56 am	
Changed by: Ed Naddeo	All Changes From P8 and beyond will be documented below.		

A

B

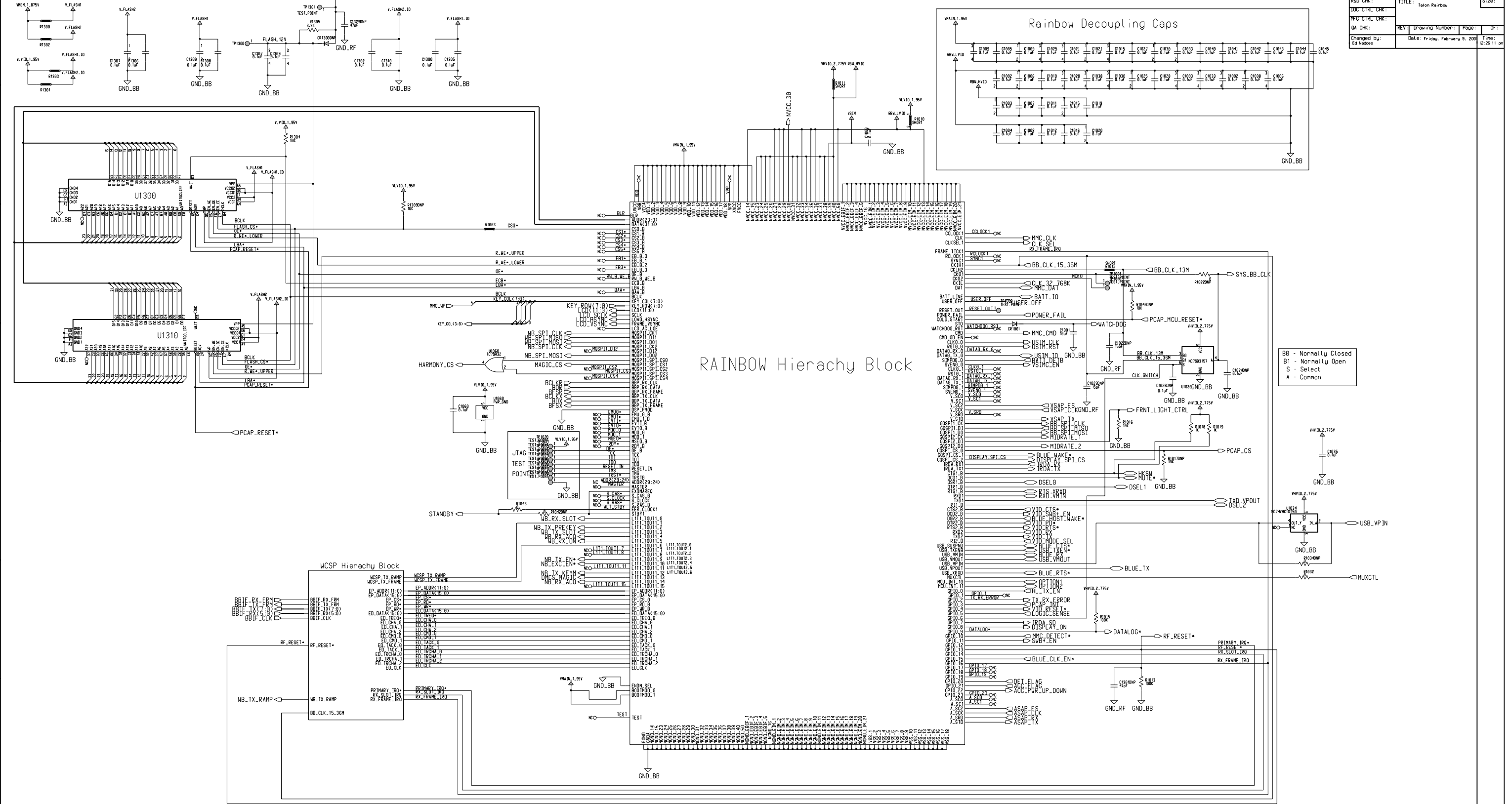
C

D



MOTOROLA CONFIDENTIAL PROPRIETARY

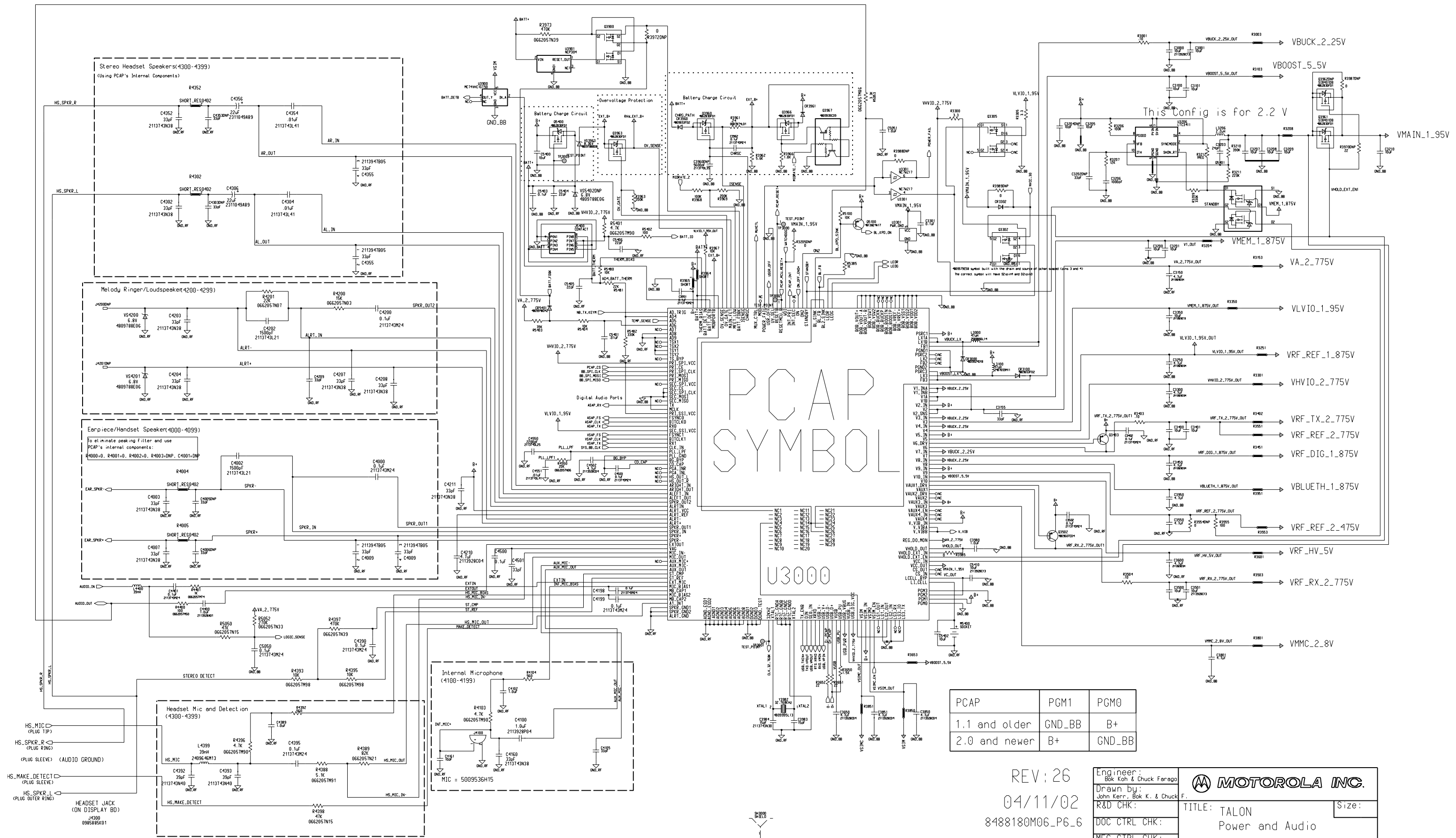
Eng. Name:	Ed Hodes	MOTOROLA INC
Design BU:	Telecom	TITLE: Talon Rainbow
Doc. Ctrl. Chk:	Ed Hodes	Size:
RFU Ctrl. Chk:		
QA Chk:		
Changed by:	Ed Hodes	Date: Friday, February 9, 2001 12:28:11 pm



RAINBOW Hierachy Block

WSCP Hierachy Block

WSCP_TX_RAMP	WSCP_TX_FRAME	WSCP_TX_FRAME	WSCP_TX_FRAME
EP_ADDR(11:0)	EP_ADDR(15:0)	EP_ADDR(15:0)	EP_ADDR(15:0)
ED_DATA(15:0)	ED_DATA(15:0)	ED_DATA(15:0)	ED_DATA(15:0)
ED_CHA_0	ED_CHA_1	ED_CHA_2	ED_CHA_3
ED_CHA_4	ED_CHA_5	ED_CHA_6	ED_CHA_7
ED_CHA_8	ED_CHA_9	ED_CHA_10	ED_CHA_11
ED_CHA_12	ED_CHA_13	ED_CHA_14	ED_CHA_15
ED_TCKA_0	ED_TCKA_1	ED_TCKA_2	ED_TCKA_3
ED_TCKA_4	ED_TCKA_5	ED_TCKA_6	ED_TCKA_7
ED_TCKA_8	ED_TCKA_9	ED_TCKA_10	ED_TCKA_11
ED_TCKA_12	ED_TCKA_13	ED_TCKA_14	ED_TCKA_15
ED_TCKA_16	ED_TCKA_17	ED_TCKA_18	ED_TCKA_19
ED_TCKA_20	ED_TCKA_21	ED_TCKA_22	ED_TCKA_23
ED_TCKA_24	ED_TCKA_25	ED_TCKA_26	ED_TCKA_27
ED_TCKA_28	ED_TCKA_29	ED_TCKA_30	ED_TCKA_31
ED_TCKA_32	ED_TCKA_33	ED_TCKA_34	ED_TCKA_35
ED_TCKA_36	ED_TCKA_37	ED_TCKA_38	ED_TCKA_39
ED_TCKA_40	ED_TCKA_41	ED_TCKA_42	ED_TCKA_43
ED_TCKA_44	ED_TCKA_45	ED_TCKA_46	ED_TCKA_47
ED_TCKA_48	ED_TCKA_49	ED_TCKA_50	ED_TCKA_51
ED_TCKA_52	ED_TCKA_53	ED_TCKA_54	ED_TCKA_55
ED_TCKA_56	ED_TCKA_57	ED_TCKA_58	ED_TCKA_59
ED_TCKA_60	ED_TCKA_61	ED_TCKA_62	ED_TCKA_63
ED_TCKA_64	ED_TCKA_65	ED_TCKA_66	ED_TCKA_67
ED_TCKA_68	ED_TCKA_69	ED_TCKA_70	ED_TCKA_71
ED_TCKA_72	ED_TCKA_73	ED_TCKA_74	ED_TCKA_75
ED_TCKA_76	ED_TCKA_77	ED_TCKA_78	ED_TCKA_79
ED_TCKA_80	ED_TCKA_81	ED_TCKA_82	ED_TCKA_83
ED_TCKA_84	ED_TCKA_85	ED_TCKA_86	ED_TCKA_87
ED_TCKA_88	ED_TCKA_89	ED_TCKA_90	ED_TCKA_91
ED_TCKA_92	ED_TCKA_93	ED_TCKA_94	ED_TCKA_95
ED_TCKA_96	ED_TCKA_97	ED_TCKA_98	ED_TCKA_99
ED_TCKA_100	ED_TCKA_101	ED_TCKA_102	ED_TCKA_103
ED_TCKA_104	ED_TCKA_105	ED_TCKA_106	ED_TCKA_107
ED_TCKA_108	ED_TCKA_109	ED_TCKA_110	ED_TCKA_111
ED_TCKA_112	ED_TCKA_113	ED_TCKA_114	ED_TCKA_115
ED_TCKA_116	ED_TCKA_117	ED_TCKA_118	ED_TCKA_119
ED_TCKA_120	ED_TCKA_121	ED_TCKA_122	ED_TCKA_123
ED_TCKA_124	ED_TCKA_125	ED_TCKA_126	ED_TCKA_127
ED_TCKA_128	ED_TCKA_129	ED_TCKA_130	ED_TCKA_131
ED_TCKA_132	ED_TCKA_133	ED_TCKA_134	ED_TCKA_135
ED_TCKA_136	ED_TCKA_137	ED_TCKA_138	ED_TCKA_139
ED_TCKA_140	ED_TCKA_141	ED_TCKA_142	ED_TCKA_143
ED_TCKA_144	ED_TCKA_145	ED_TCKA_146	ED_TCKA_147
ED_TCKA_148	ED_TCKA_149	ED_TCKA_150	ED_TCKA_151
ED_TCKA_152	ED_TCKA_153	ED_TCKA_154	ED_TCKA_155
ED_TCKA_156	ED_TCKA_157	ED_TCKA_158	ED_TCKA_159
ED_TCKA_160	ED_TCKA_161	ED_TCKA_162	ED_TCKA_163
ED_TCKA_164	ED_TCKA_165	ED_TCKA_166	ED_TCKA_167
ED_TCKA_168	ED_TCKA_169	ED_TCKA_170	ED_TCKA_171
ED_TCKA_172	ED_TCKA_173	ED_TCKA_174	ED_TCKA_175
ED_TCKA_176	ED_TCKA_177	ED_TCKA_178	ED_TCKA_179
ED_TCKA_180	ED_TCKA_181	ED_TCKA_182	ED_TCKA_183
ED_TCKA_184	ED_TCKA_185	ED_TCKA_186	ED_TCKA_187
ED_TCKA_188	ED_TCKA_189	ED_TCKA_190	ED_TCKA_191
ED_TCKA_192	ED_TCKA_193	ED_TCKA_194	ED_TCKA_195
ED_TCKA_196	ED_TCKA_197	ED_TCKA_198	ED_TCKA_199
ED_TCKA_200	ED_TCKA_201	ED_TCKA_202	ED_TCKA_203
ED_TCKA_204	ED_TCKA_205	ED_TCKA_206	ED_TCKA_207
ED_TCKA_208	ED_TCKA_209	ED_TCKA_210	ED_TCKA_211
ED_TCKA_212	ED_TCKA_213	ED_TCKA_214	ED_TCKA_215
ED_TCKA_216	ED_TCKA_217	ED_TCKA_218	ED_TCKA_219
ED_TCKA_220	ED_TCKA_221	ED_TCKA_222	ED_TCKA_223
ED_TCKA_224	ED_TCKA_225	ED_TCKA_226	ED_TCKA_227
ED_TCKA_228	ED_TCKA_229	ED_TCKA_230	ED_TCKA_231
ED_TCKA_232	ED_TCKA_233	ED_TCKA_234	ED_TCKA_235
ED_TCKA_236	ED_TCKA_237	ED_TCKA_238	ED_TCKA_239
ED_TCKA_240	ED_TCKA_241	ED_TCKA_242	ED_TCKA_243
ED_TCKA_244	ED_TCKA_245	ED_TCKA_246	ED_TCKA_247
ED_TCKA_248	ED_TCKA_249	ED_TCKA_250	ED_TCKA_251
ED_TCKA_252	ED_TCKA_253	ED_TCKA_254	ED_TCKA_255
ED_TCKA_256	ED_TCKA_257	ED_TCKA_258	ED_TCKA_259
ED_TCKA_260	ED_TCKA_261	ED_TCKA_262	ED_TCKA_263
ED_TCKA_264	ED_TCKA_265	ED_TCKA_266	ED_TCKA_267
ED_TCKA_268	ED_TCKA_269	ED_TCKA_270	ED_TCKA_271
ED_TCKA_272	ED_TCKA_273	ED_TCKA_274	ED_TCKA_275
ED_TCKA_276	ED_TCKA_277	ED_TCKA_278	ED_TCKA_279
ED_TCKA_280	ED_TCKA_281	ED_TCKA_282	ED_TCKA_283
ED_TCKA_284	ED_TCKA_285	ED_TCKA_286	ED_TCKA_287
ED_TCKA_288	ED_TCKA_289	ED_TCKA_290	ED_TCKA_291
ED_TCKA_292	ED_TCKA_293	ED_TCKA_294	ED_TCKA_295
ED_TCKA_296	ED_TCKA_297	ED_TCKA_298	ED_TCKA_299
ED_TCKA_300	ED_TCKA_301	ED_TCKA_302	ED_TCKA_303
ED_TCKA_304	ED_TCKA_305	ED_TCKA_306	ED_TCKA_307
ED_TCKA_308	ED_TCKA_309	ED_TCKA_310	ED_TCKA_311
ED_TCKA_312	ED_TCKA_313	ED_TCKA_314	ED_TCKA_315
ED_TCKA_316	ED_TCKA_317	ED_TCKA_318	ED_TCKA_319
ED_TCKA_320	ED_TCKA_321	ED_TCKA_322	ED_TCKA_323
ED_TCKA_324	ED_TCKA_325	ED_TCKA_326	ED_TCKA_327
ED_TCKA_328	ED_TCKA_329	ED_TCKA_330	ED_TCKA_331
ED_TCKA_332	ED_TCKA_333	ED_TCKA_334	ED_TCKA_335
ED_TCKA_336	ED_TCKA_337	ED_TCKA_338	ED_TCKA_339
ED_TCKA_340	ED_TCKA_341	ED_TCKA_342	ED_TCKA_343
ED_TCKA_344	ED_TCKA_345	ED_TCKA_346	ED_TCKA_347
ED_TCKA_348	ED_TCKA_349	ED_TCKA_350	ED_TCKA_351
ED_TCKA_352	ED_TCKA_353	ED_TCKA_354	ED_TCKA_355
ED_TCKA_356	ED_TCKA_357	ED_TCKA_358	ED_TCKA_359
ED_TCKA_360	ED_TCKA_361	ED_TCKA_362	ED_TCKA_363
ED_TCKA_364	ED_TCKA_365	ED_TCKA_366	ED_TCKA_367
ED_TCKA_368	ED_TCKA_369	ED_TCKA_370	ED_TCKA_371
ED_TCKA_372	ED_TCKA_373	ED_TCKA_374	ED_TCKA_375
ED_TCKA_376	ED_TCKA_377	ED_TCKA_378	ED_TCKA_379
ED_TCKA_380	ED_TCKA_381	ED_TCKA_382	ED_TCKA_383
ED_TCKA_384	ED_TCKA_385	ED_TCKA_386	ED_TCKA_387
ED_TCKA_388	ED_TCKA_389	ED_TCKA_390	ED_TCKA_391
ED_TCKA_392	ED_TCKA_393	ED_TCKA_394	ED_TCKA_395
ED_TCKA_396	ED_TCKA_397	ED_TCKA_398	ED_TCKA_399
ED_TCKA_400	ED_TCKA_401	ED_TCKA_402	ED_TCKA_403
ED_TCKA_404	ED_TCKA_405	ED_TCKA_406	ED_TCKA_407
ED_TCKA_408	ED_TCKA_409	ED_TCKA_410	ED_TCKA_411
ED_TCKA_412	ED_TCKA_413	ED_TCKA_414	ED_TCKA_415
ED_TCKA_416	ED_TCKA_417	ED_TCKA_418	ED_TCKA_419
ED_TCKA_420	ED_TCKA_421	ED_TCKA_422	ED_TCKA_423
ED_TCKA_424	ED_TCKA_425	ED_TCKA_426	ED_TCKA_427
ED_TCKA_428	ED_TCKA_429	ED_TCKA_430	ED_TCKA_431
ED_TCKA_432	ED_TCKA_433	ED_TCKA_434	ED_TCKA_435
ED_TCKA_436	ED_TCKA_437	ED_TCKA_438	ED_TCKA_439
ED_TCKA_440	ED_TCKA_441	ED_TCKA_442	ED_TCKA_443
ED_TCKA_444	ED_TCKA_445	ED_TCKA_446	ED_TCKA_447
ED_TCKA_448	ED_TCKA_449	ED_TCKA_450	ED_TCKA_451
ED_TCKA_452	ED_TCKA_453	ED_TCKA_454	ED_TCKA_455
ED_TCKA_456	ED_TCKA_457	ED_TCKA_458	ED_TCKA_459
ED_TCKA_460	ED_TCKA_461	ED_TCKA_462	ED_TCKA_463
ED_TCKA_464	ED_TCKA_465	ED_TCKA_466	ED_TCKA_467
ED_TCKA_468	ED_TCKA_469	ED_TCKA_470	ED_TCKA_471
ED_TCKA_472	ED_TCKA_473	ED_TCKA_474	ED_TCKA_475
ED_TCKA_476	ED_TCKA_477	ED_TCKA_478	ED_TCKA_479
ED_TCKA_480	ED_TCKA_481	ED_TCKA_482	ED_TCKA_483
ED_TCKA_484	ED_TCKA_485	ED_TCKA_486	ED_TCKA_487
ED_TCKA_488	ED_TCKA_489	ED_TCKA_490	ED_TCKA_491
ED_TCKA_492	ED_TCKA_493	ED_TCKA_494	ED_TCKA_495
ED_TCKA_496	ED_TCKA_497	ED_TCKA_498	ED_TCKA_499
ED_TCKA_500	ED_TCKA_501	ED_TCKA_502	ED_TCKA_503
ED_TCKA_504	ED_TCKA_505	ED_TCKA_506	ED_TCKA_507
ED_TCKA_508	ED_TCKA_509	ED_TCKA_510	ED_TCKA_511
ED_TCKA_512	ED_TCKA_513	ED_TCKA_514	ED_TCKA_515
ED_TCKA_516	ED_TCKA_517	ED_TCKA_518	ED_TCKA_519
ED_TCKA_520	ED_TCKA_521	ED_TCKA_522	ED_TCKA_523
ED_TCKA_524	ED_TCKA_525	ED_TCKA_526	ED_TCKA_527
ED_TCKA_528	ED_TCKA_529	ED_TCKA_530	ED_TCKA_531
ED_TCKA_532	ED_TCKA_533	ED_TCKA_534	ED_TCKA_535
ED_TCKA_536	ED_TCKA_537	ED_TCKA_538	ED_TCKA_539
ED_TCKA_540	ED_TCKA_541	ED_TCKA_542	ED_TCKA_543
ED_TCKA_544	ED_TCKA_545	ED_TCKA_546	ED_TCKA_547
ED_TCKA_548	ED_TCKA_549	ED_TCKA_550	ED_TCKA_551
ED_TCKA_552	ED_TCKA_553	ED_TCKA_554	ED_TCKA_555
ED_TCKA_556	ED_TCKA_557	ED_TCKA_558	ED_TCKA_559
ED_TCKA_560	ED_TCKA_561	ED_TCKA_562	ED_TCKA_563
ED_TCKA_564	ED_TCKA_565	ED_TCKA_566	ED_TCKA_567
ED_TCKA_568	ED_TCKA_569	ED_TCKA_570	ED_TCKA_571
ED_TCKA_572	ED_TCKA_573	ED_TCKA_574	ED_TCKA_575
ED_TCKA_576	ED_TCKA_577	ED_TCKA_578	ED_TCKA_579
ED_TCKA_580	ED_TCKA_581	ED_TCKA_582	ED_TCKA_583
ED_TCKA_584	ED_TCKA_585	ED_TCKA_586	ED_TCKA_587
ED_TCKA_588	ED_TCKA_589	ED_TCKA_590	ED_TCKA_591
ED_TCKA_592	ED_TCKA_593	ED_TCKA_594	ED_TCKA_595
ED_TCKA_596	ED_TCKA_597	ED_TCKA_598	ED_TCKA_599
ED_TCKA_600	ED_TCKA_601	ED_TCKA_602	ED_TCKA_603
ED_TCKA_604	ED_TCKA_605	ED_TCKA_606	ED_TCKA_607
ED_TCKA_608	ED_TCKA_609	ED_TCKA_610	ED_TCKA_611
ED_TCKA_612	ED_TCKA_613	ED_TCKA_614	ED_TCKA_615
ED_TCKA_616	ED_TCKA_617	ED_TCKA_618	ED_TCKA_619
ED_TCKA_620	ED_TCKA_621	ED_TCKA_622	ED_TCKA_623
ED_TCKA_624	ED_TCKA_625	ED_TCKA_626	ED_TCKA_627
ED_TCKA_628	ED_TCKA_629	ED_TCKA_630	ED_TCKA_631
ED_TCKA_632	ED_TCKA_633	ED_TCKA_634	ED_TCKA_635
ED_TCKA_636	ED_TCKA_637	ED_TCKA_638	ED_TCKA_639
ED_TCKA_640	ED_TCKA_641	ED_TCKA_642	ED_TCKA_643
ED_TCKA_644	ED_TCKA_645	ED_TCKA_646	ED_TCKA_647
ED_TCKA_648	ED_TCKA_649	ED_TCKA_650	ED_TCKA_651
ED_TCKA_652	ED_TCKA_653	ED_TCKA_654	ED_TCKA_655
ED_TCKA_656	ED_TCKA_657	ED_TCKA_658	ED_TCKA_659
ED_TCKA_660	ED_TCKA_661	ED_TCKA_662	ED_TCKA_663
ED_TCKA_664	ED_TCKA_665	ED_TCKA_666	ED_TCKA_667
ED_TCKA_668	ED_TCKA_669	ED_TCKA_670	ED_TCKA_671
ED_TCKA_672	ED_TCKA_673	ED_TCKA_674	ED_TCKA_675
ED_TCKA_676	ED_TCKA_677	ED_TCKA_678	ED_TCKA_679
ED_TCKA_680	ED_TCKA_681	ED_TCKA_682	ED_TCKA_683
ED_TCKA_684	ED_TCKA_685	ED_TCKA_686	ED_TCKA_687
ED_TCKA_688	ED_TCKA_689	ED_TCKA_690	ED_TCKA_691
ED_TCKA_692	ED_TCKA_693	ED_TCKA_694	ED_TCKA_695
ED_TCKA_696	ED_TCKA_697	ED_TCKA_698	ED_TCKA_699
ED_TCKA_700	ED_TCKA_701	ED_TCKA_702	ED_TCKA_703
ED_TCKA_704	ED_TCKA_705	ED_TCKA_706	ED_TCKA_707
ED_TCKA_708	ED_TCKA_709	ED_TCKA_710	ED_TCKA_711
ED_TCKA_712	ED_TCKA_713	ED_TCKA_714	ED_TCKA_715
ED_TCKA_716	ED_TCKA_717	ED_TCKA_718	ED_TCK



PCAP
SYMBOL

U3000


PCAP	PGM1	PGM0
1.1 and older	GND_BB	B+
2.0 and newer	B+	GND_BB

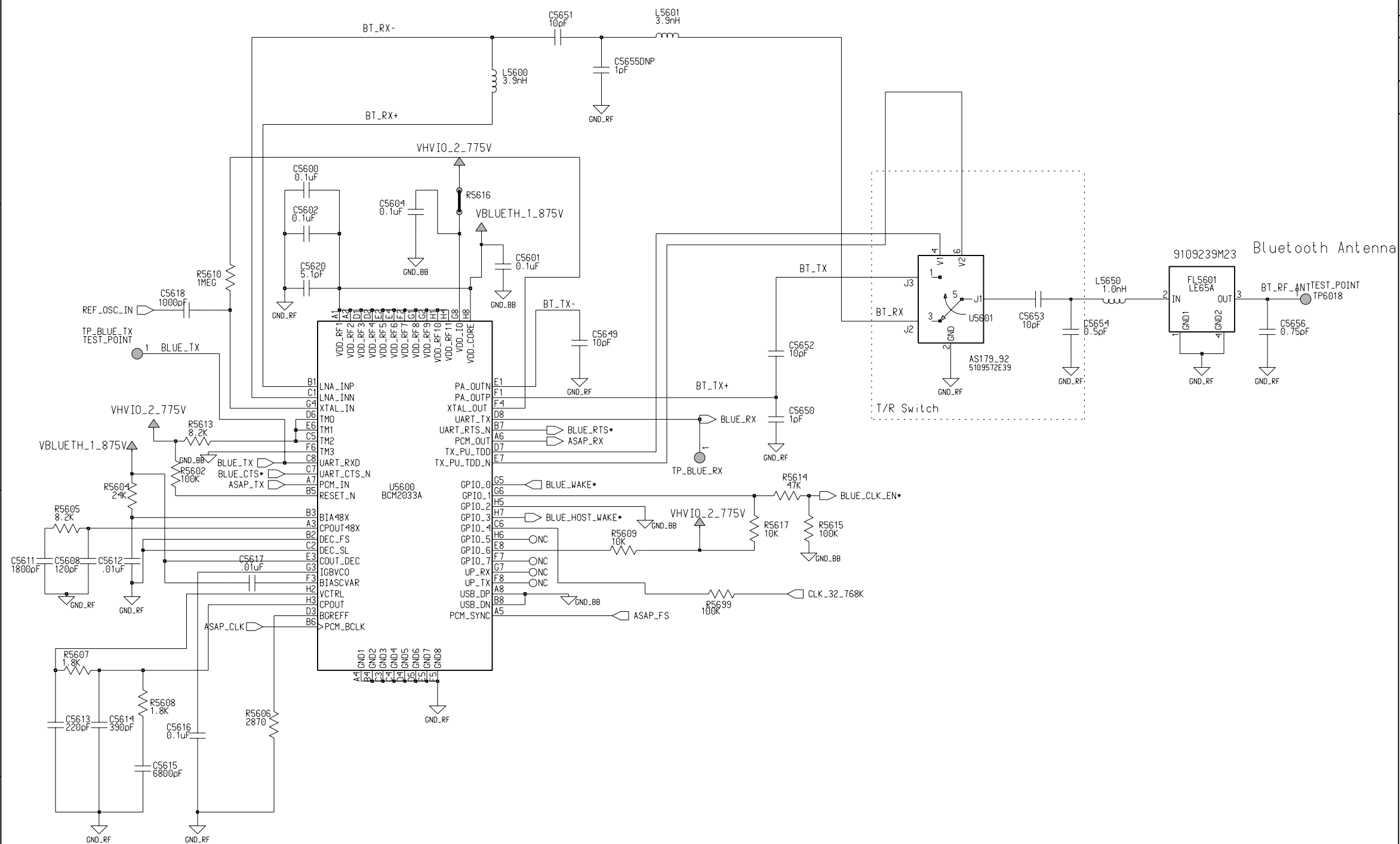
REV: 26
04/11/02
8488180M06_P6_6

Plot Scale = 0.8

Engineer: Bok Koh & Chuck Farago			
Drawn by: John Kerr, Bok K. & Chuck F.			
R&D CHK:	TITLE: TALON	Size:	
DOC CTRL CHK:	Power and Audio		
MFG CTRL CHK:	REV: Drawing Number:	Page:	Of:
QA CHK:	Date:		Time:
Changed by:			8:04:00 am

PCAP SHIELD

Engineer: Dave Stubbs	 MOTOROLA INC.		
Drawn by:	TITLE: Talon Bluetooth		Size:
R&D CHK:	REV: Drawing Number: Page: OF:		
DOC CTRL CHK:			
MFG CTRL CHK:			
QA CHK:	Date: April 16, 2001		Time:
Changed by: Bokchain Koh			



A

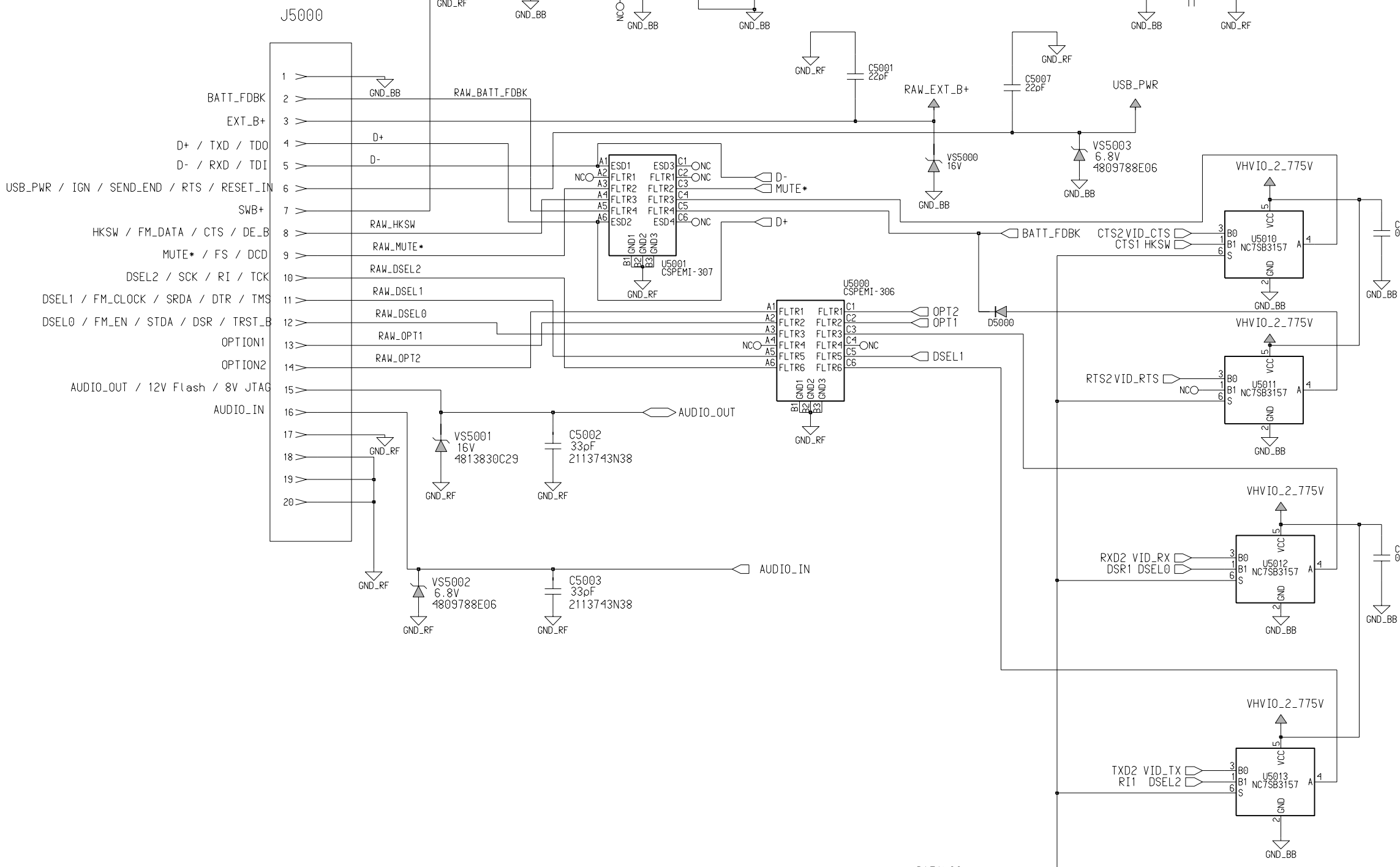
B

C

D

MOTOROLA CONFIDENTIAL PROPRIETARY

Accessory Connector CE Connector (0987636K05)



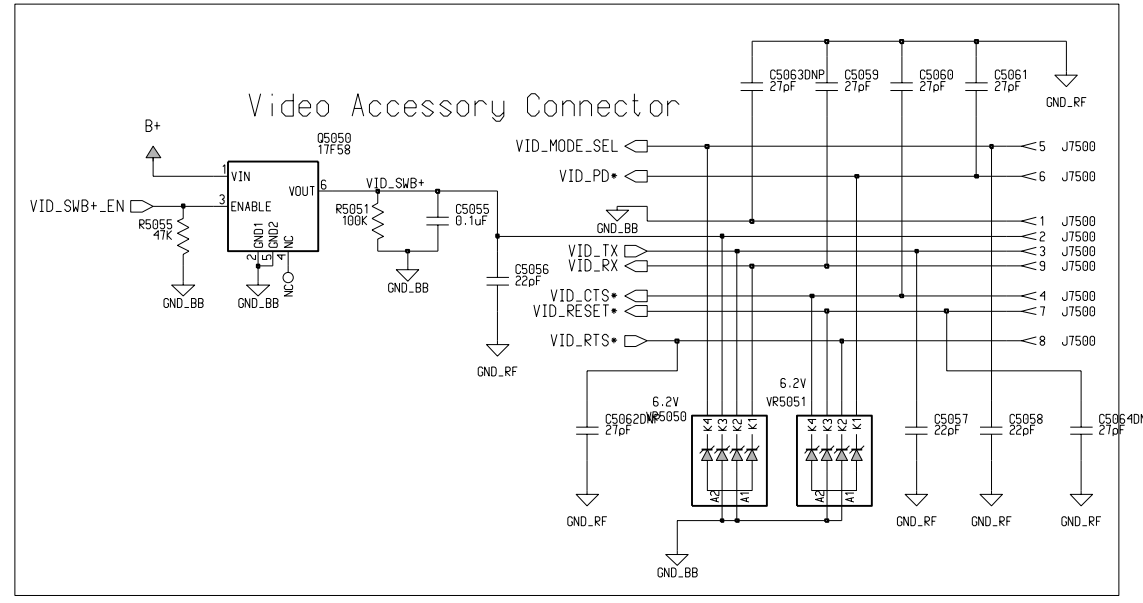
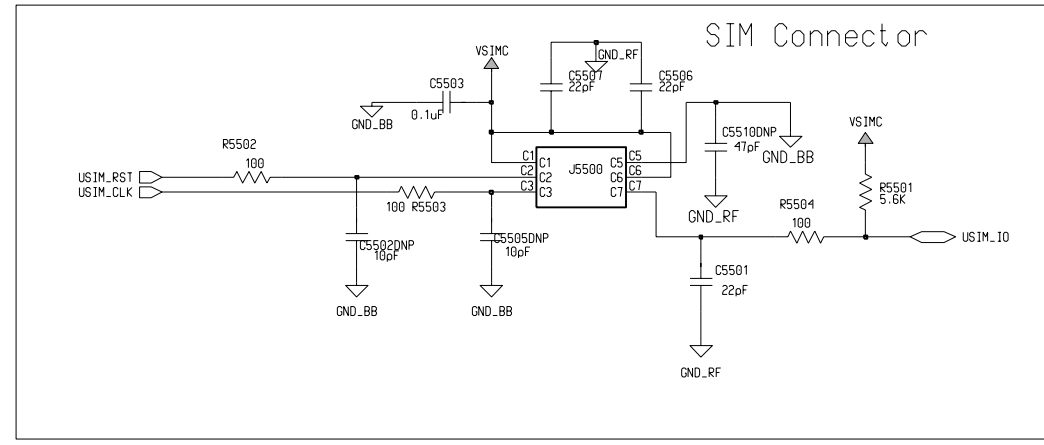
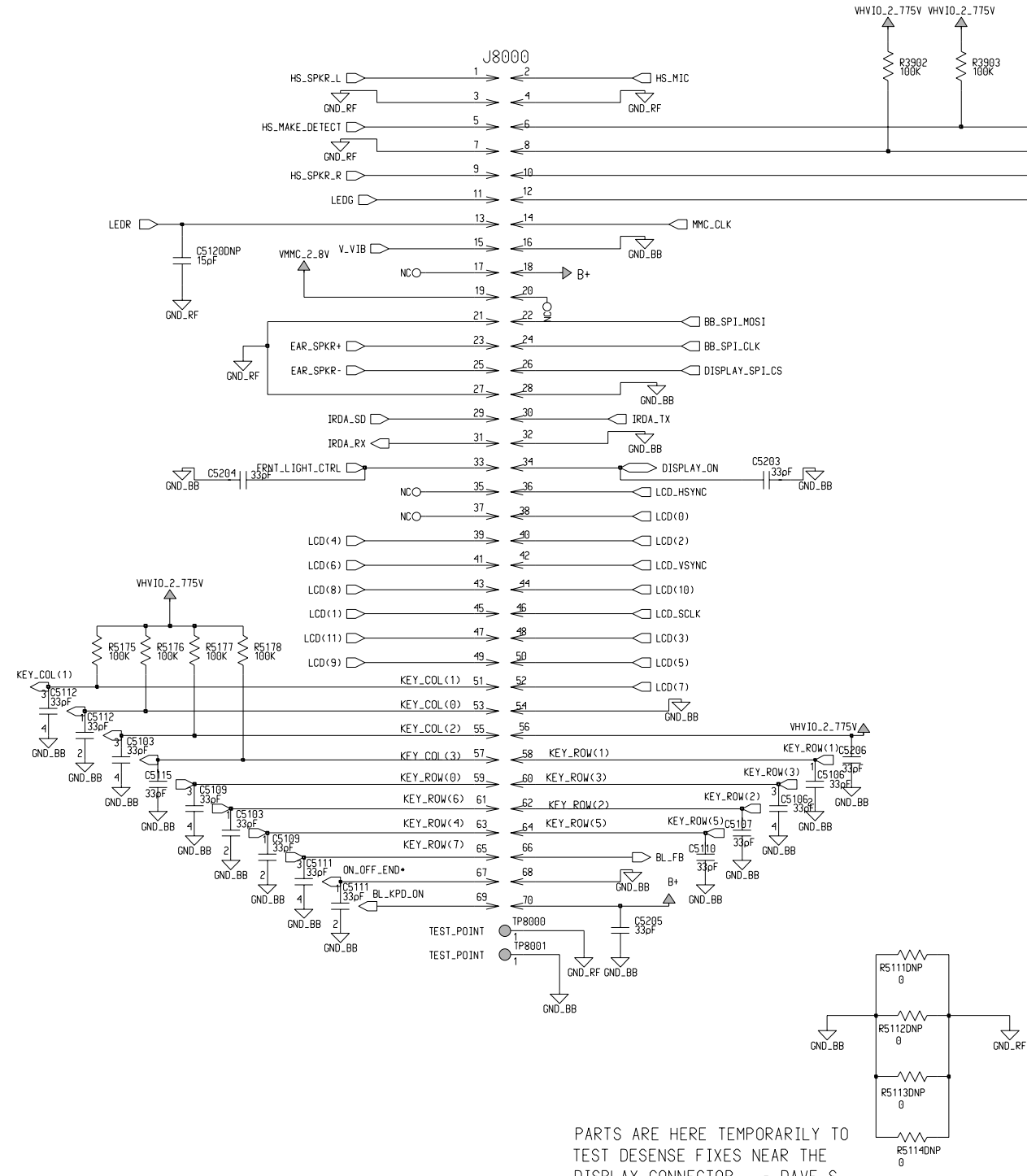
B0 - Normally Closed
B1 - Normally Open
S - Select
A - Common

Engineer: Jennifer Seymour	MOTOROLA INC.		
Drawn by:			
R&D CHK:	TITLE: TALON	Size:	
DOC CTRL CHK:	CE Accessory Connector		
MFG CTRL CHK:	REV:	Drawing Number:	Page:
QA CHK:			OF:
Changed by: Todd J. Roesler	Date: 4/24/01	Time:	
0.2	Moved CE Module Bus to daughterboard connector	4/24/01	
Todd J. Roesler	Updated signal names and added DNP pullup to RESET_IN for JTAG mode.	8/15/01	
Todd J. Roesler	Changed Analog switches to Fairchild	12/19/01	

MOTOROLA CONFIDENTIAL PROPRIETARY

4 1 3 A

Engineer: Ed Naddeo	MOTOROLA INC.		
Drawn by: Ed Naddeo			
R&D CHK:	TITLE: TALON	Size: 11x21	
DOC CTRL CHK:	Daughter Board Connector		
MFG CTRL CHK:	REV: 1	Drawing Number:	Page: 1
QA CHK:	Date: Monday, April 23, 2001	Time: 11:27:59 am	
Changed by: Ed Naddeo	Added Key Col 4, 6, and 7		



PARTS ARE HERE TEMPORARILY TO TEST DESENSE FIXES NEAR THE DISPLAY CONNECTOR. - DAVE S.