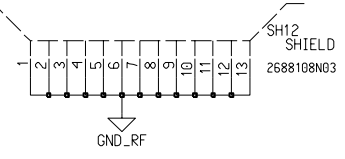
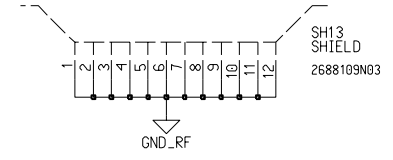
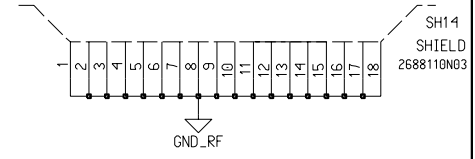
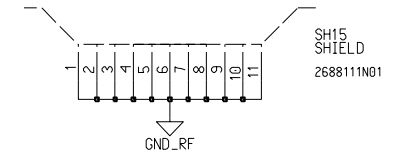
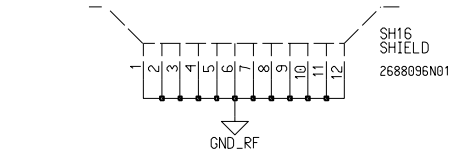
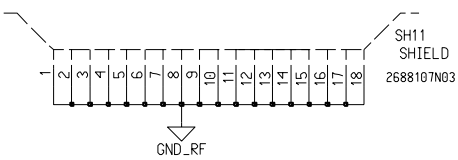
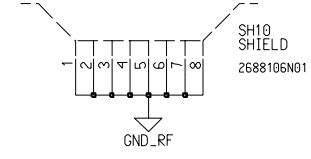
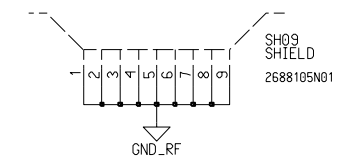
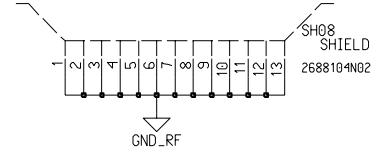
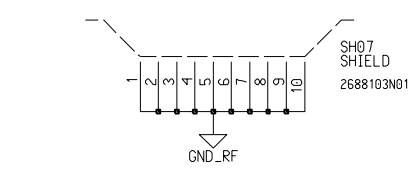
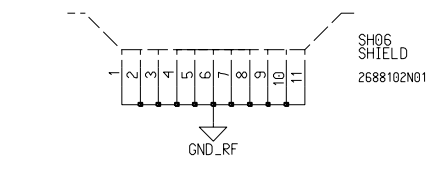
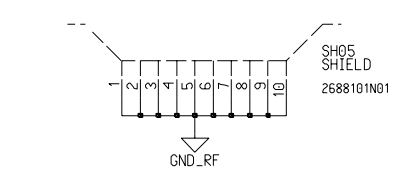
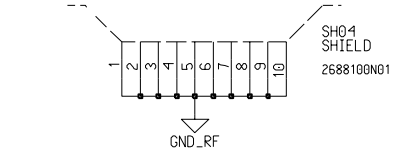
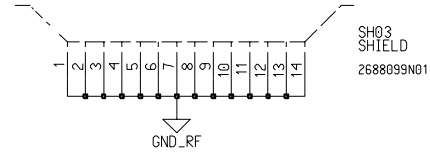
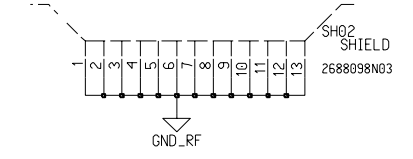
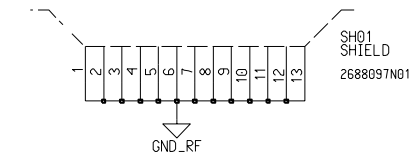


MOTOROLA CONFIDENTIAL PROPRIETARY

# Baseband

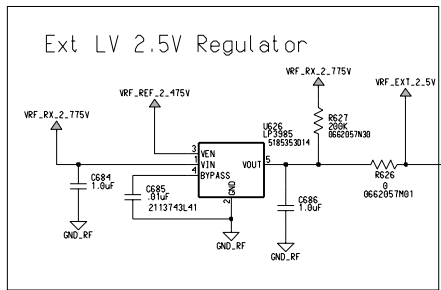
# RF

BB_CLK_15_36M	BB_CLK_15_36M	BB_CLK_15_36M
TEMP_SENSE	TEMP_SENSE	TEMP_SENSE
BBIF_RX_FRM	BBIF_RX_FRAME	BBIF_RX_FRAME
BBIF_TX_FRM	BBIF_TX_FRAME	BBIF_TX_FRAME
BBIF_CLK	BBIF_CLK	BBIF_CLK
BBIF_TX(7:0)	BBIF_TX(7:0)	BBIF_TX(7:0)
BBIF_RX(7:2)	BBIF_RX(5:0)	BBIF_RX(7:2)
TX_RX_ERROR	TX_RX_ERROR	TX_RX_ERROR
HARMONY_CS	HARMONY_CS	HARMONY_CS
WB_SPI_MISO	WB_SPI_MISO	WB_SPI_MISO
WB_SPI_CLK	WB_SPI_CLK	WB_SPI_CLK
WB_SPI_MOSI	WB_SPI_MOSI	WB_SPI_MOSI
RF_RESET*	RF_RESET*	RF_RESET*
BLUE_CLK_EN*	BLUE_CLK_EN*	BLUE_CLK_EN*
WB_RX_ON	WB_RX_ON	WB_RX_ON
WB_TX_RAMP	WB_TX_RAMP	WB_TX_RAMP
WB_RX_ACQ	WB_RX_ACQ	WB_RX_ACQ
WB_TX_SLOT	WB_TX_SLOT	WB_TX_SLOT
WB_RX_SLOT	WB_RX_SLOT	WB_RX_SLOT
AOC_PWR_UP	AOC_PWR_UP_DOWN	AOC_PWR_UP_DOWN
WB_TX_PREKEY	WB_TX_PREKEY	WB_TX_PREKEY
NB_RX_ACQ	NB_RX_ACQ	NB_RX_ACQ
NB_TX_KEYM	NB_TX_KEYM	NB_TX_KEYM
NB_TX_EN*	NB_TX_EN*	NB_TX_EN*
NB_EXC_EN*	NB_EXC_EN*	NB_EXC_EN*
DET_FLAG	DET_FLAG	DET_FLAG
CLK_SEL	CLK_SEL	CLK_SEL
MAGIC_CS	MAGIC_CS	MAGIC_CS
NB_SPI_MOSI	NB_SPI_MOSI	NB_SPI_MOSI
NB_SPI_CLK	NB_SPI_CLK	NB_SPI_CLK
REF_15_36	REF_15_36 (For GPS)	REF_15_36
DMCS_MAGIC	DMCS_MAGIC	DMCS_MAGIC
BDX	BDX	BDX
BFSR	BFSR	BFSR
BCLKX	BCLKX	BCLKX
BCLKR	BCLKR	BCLKR
BDR	BDR	BDR
BFSX	BFSX	BFSX
BB_CLK_13M	BB_CLK_13M	BB_CLK_13M
BLUETOOTHCLK	BLUETOOTHCLK	BLUETOOTHCLK
HL_TX_EN	HL_TX_EN	HL_TX_EN

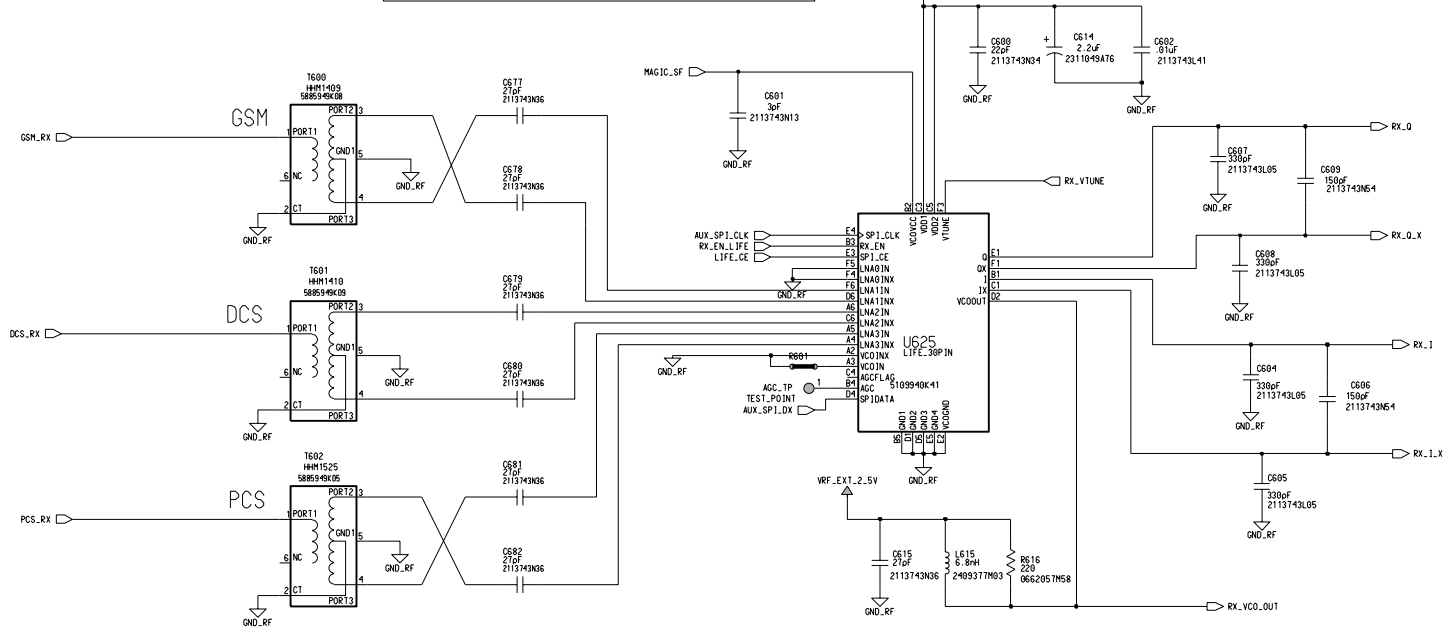


Engineer: Ed Naddeo			
Drawn by: Ed Naddeo			
R&D CHK:	TITLE: Talon Integrated	Size: 11x17	
DOC CTRL CHK:	Top Level		
MFG CTRL CHK:	REV: 8487729N03	Page:	Of:
QA CHK:	Date: January 7, 2003	Time: 10:43:18 am	
Changed by: Ed Naddeo			





LIFE IC  
REF # 600-649



Engineer Brian Elfers	COMPANY NAME		
Drawn by Brian Elfers	Address City		
R&D CHK	TITLE GSM.Rx	Size D	
DOC CTRL CHK			
MFG CTRL CHK			
QA CHK	REV P3	Drawing Number 8487729N03	Sheet of

Changed by  
Dave Suarez

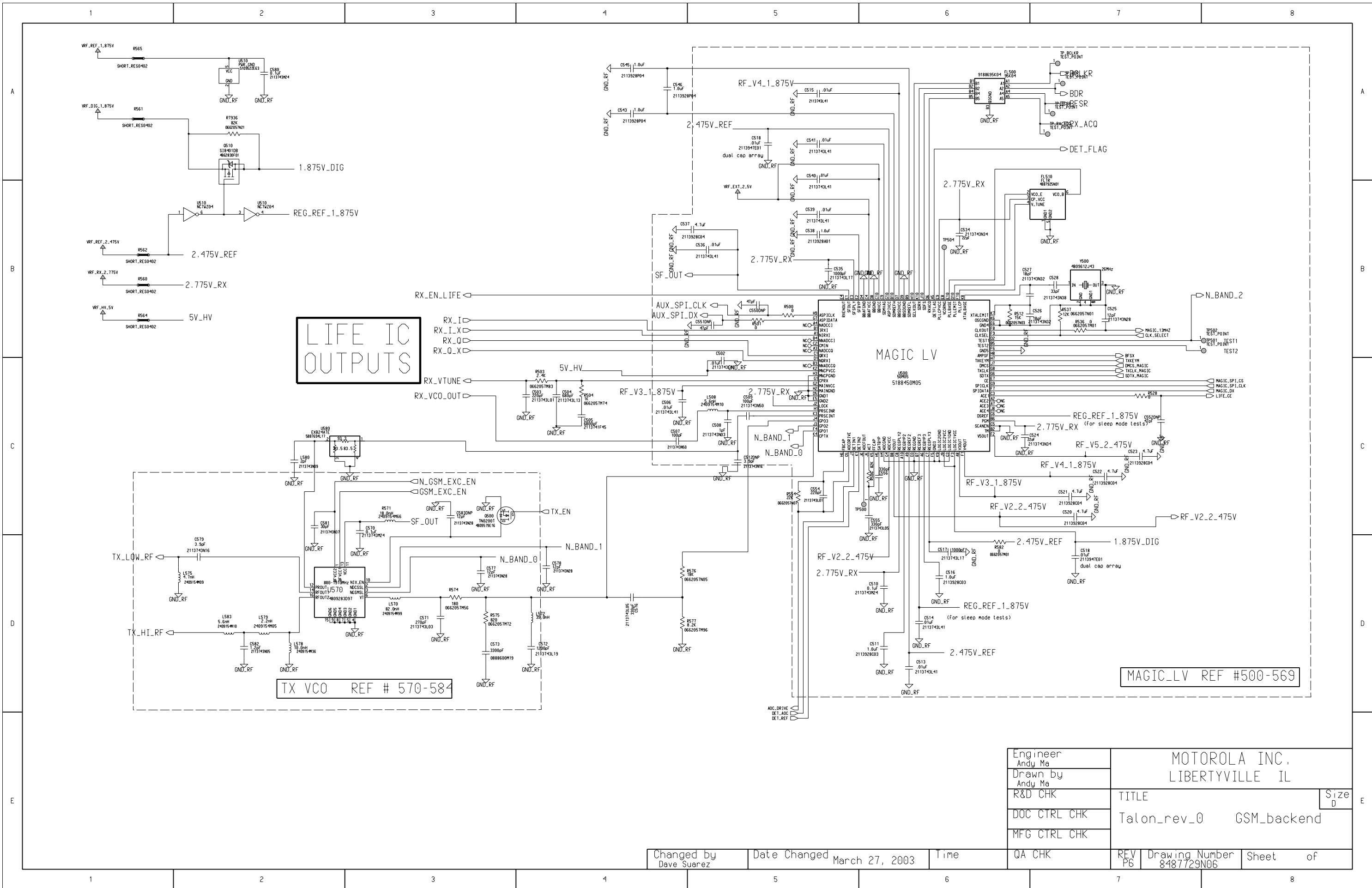
Date Changed  
January 21, 2003

Time

1 2 3 4 5 6 7 8

A  
B  
C  
D  
E

1 2 3 4 5 6 7 8



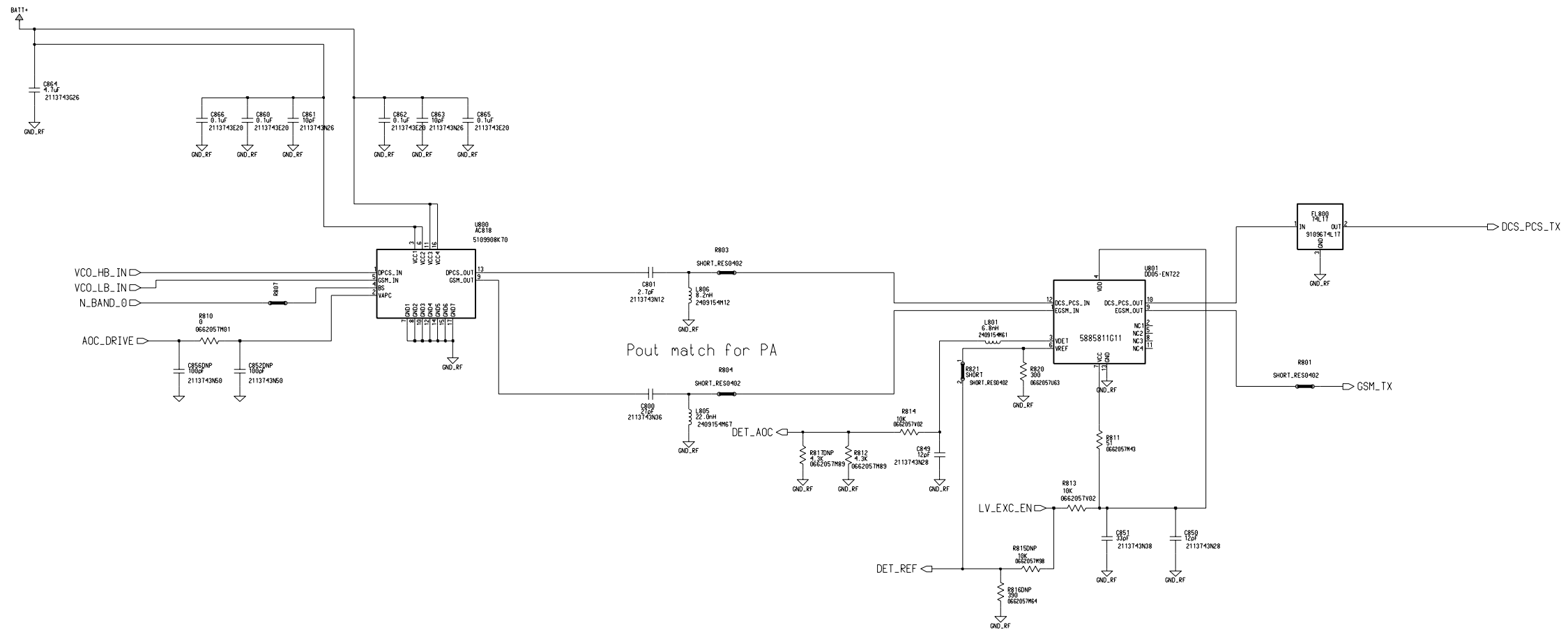
LIFE IC  
OUTPUTS

TX VCO REF # 570-584

MAGIC\_LV REF #500-569

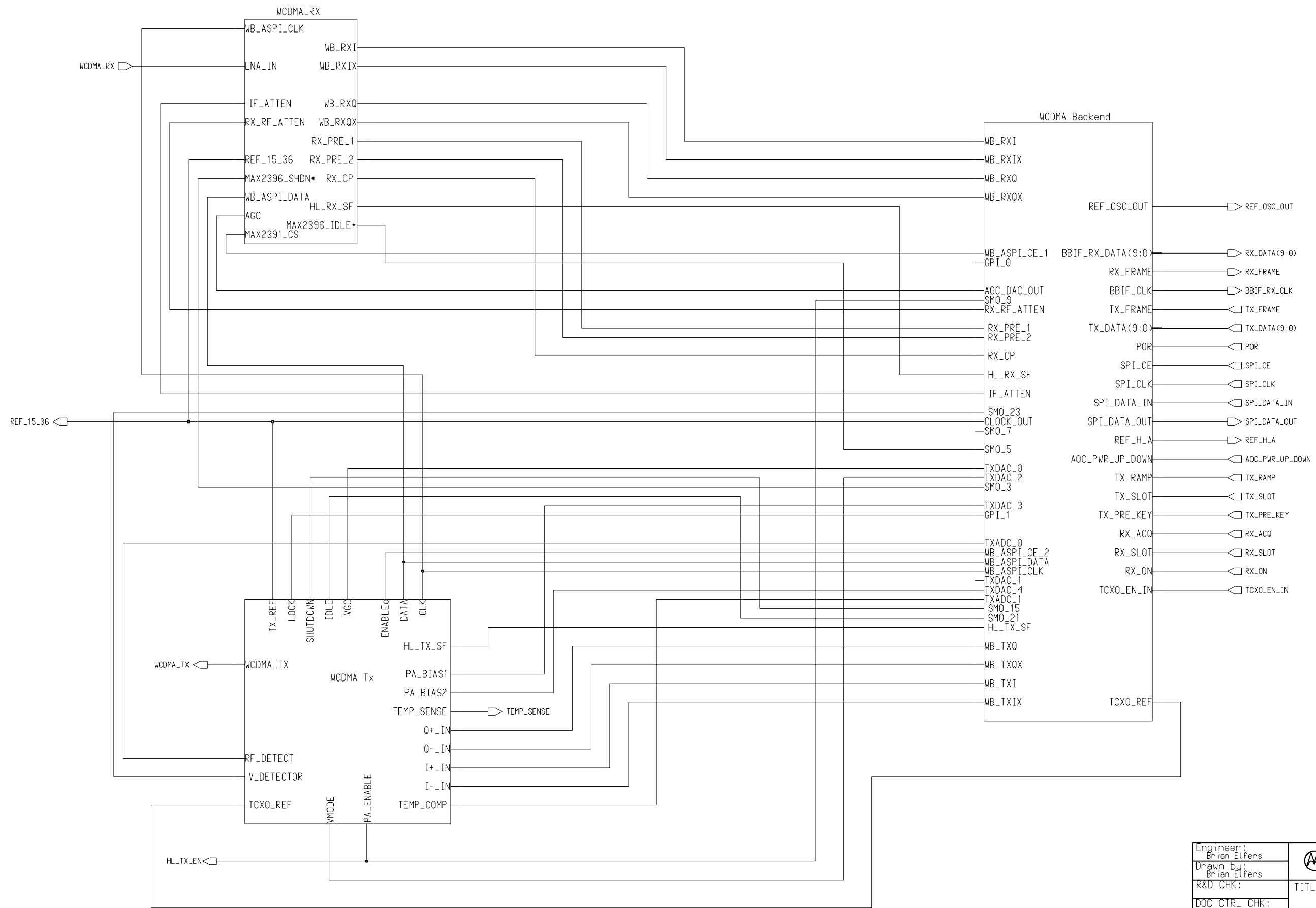
Engineer Andy Ma	MOTOROLA INC. LIBERTYVILLE IL		
Drawn by Andy Ma	TITLE		
R&D CHK	Talon_rev_0	GSM_backend	Size D
DOC CTRL CHK	REV P6 Drawing Number 8487729N06 Sheet of		
MFG CTRL CHK	QA CHK		
Changed by Dave Suarez	Date Changed March 27, 2003	Time	

# GSM Transmitter



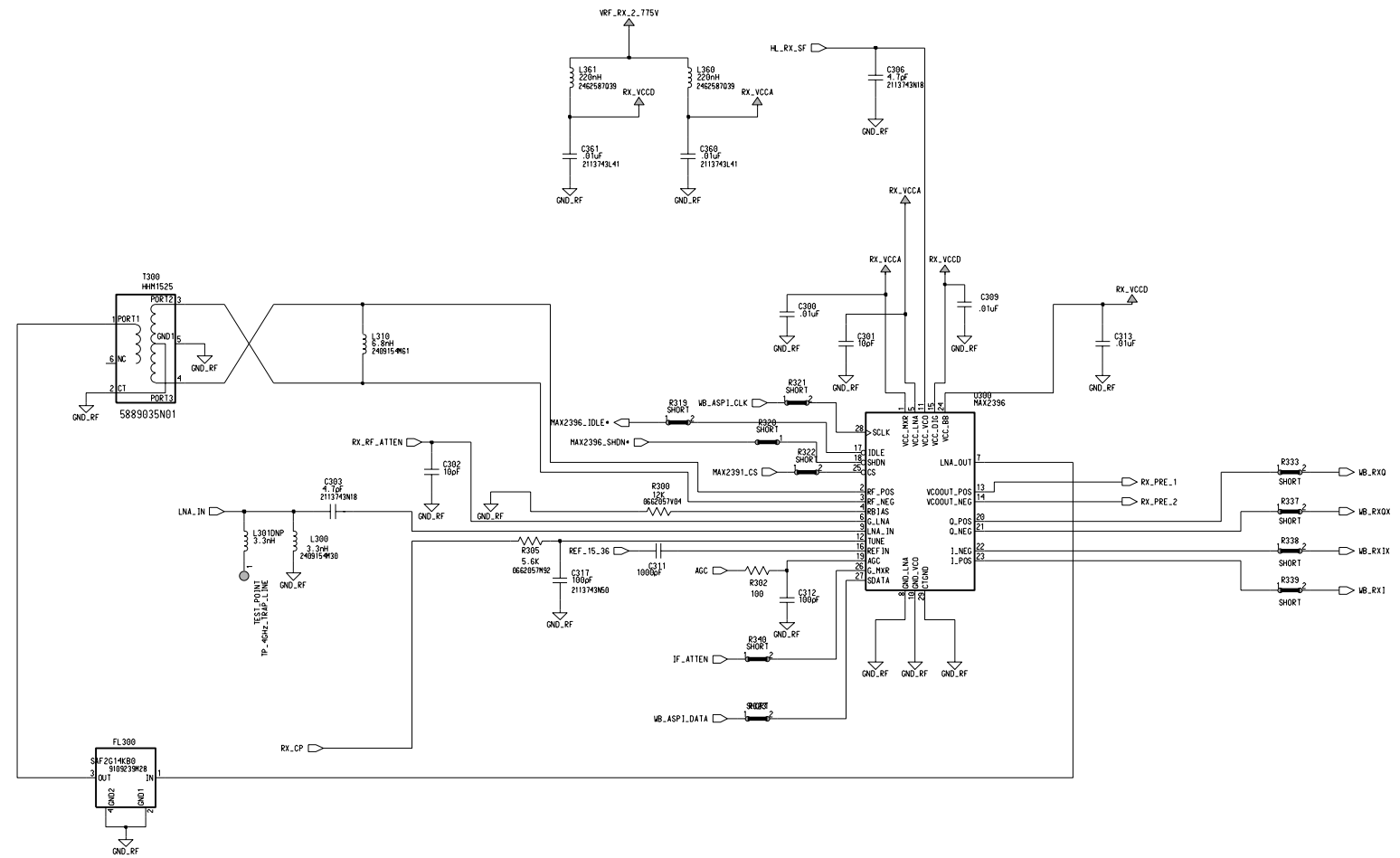
Engineer Paul Manente	COMPANY NAME		
Drawn by Paul Manente	Address City		
R&D CHK	TITLE GSM_TX-D	Size D	
DOC CTRL CHK	GSM_Transmitter		
MFG CTRL CHK	REV PG	Drawing Number 8487729N06	Sheet of

Changed by: Dave Suarez      Date Changed: June 12, 2003      Time: \_\_\_\_\_



Engineer: Brian Elfers			
Drawn by: Brian Elfers			
R&D CHK:	TITLE: Talon_rev_0	Size: 11x17	
DOC CTRL CHK:			
MFG CTRL CHK:			
QA CHK:	REV: P3	Drawing Number: 8487729N03	Page: OF:
Changed by: Dave Suarez	Date: Friday, April 20, 2001	Time: 4:07:28 pm	

1  
MOTOROLA INTERNAL USE ONLY



Engineer:	Randy Kressner		
Drawn by:	Randy Kressner		
QA CHK:		TITLE:	WCDMA_Rx
DOC CTRL CHK:		Size:	D
MFG CTRL CHK:		Rev:	PS
QA CHK:		Drawing Number:	848172R06
Changed by:	Dave Suarez	Page:	1 of 1
		Date:	June 12, 2003
		Time:	4:33:16 pm





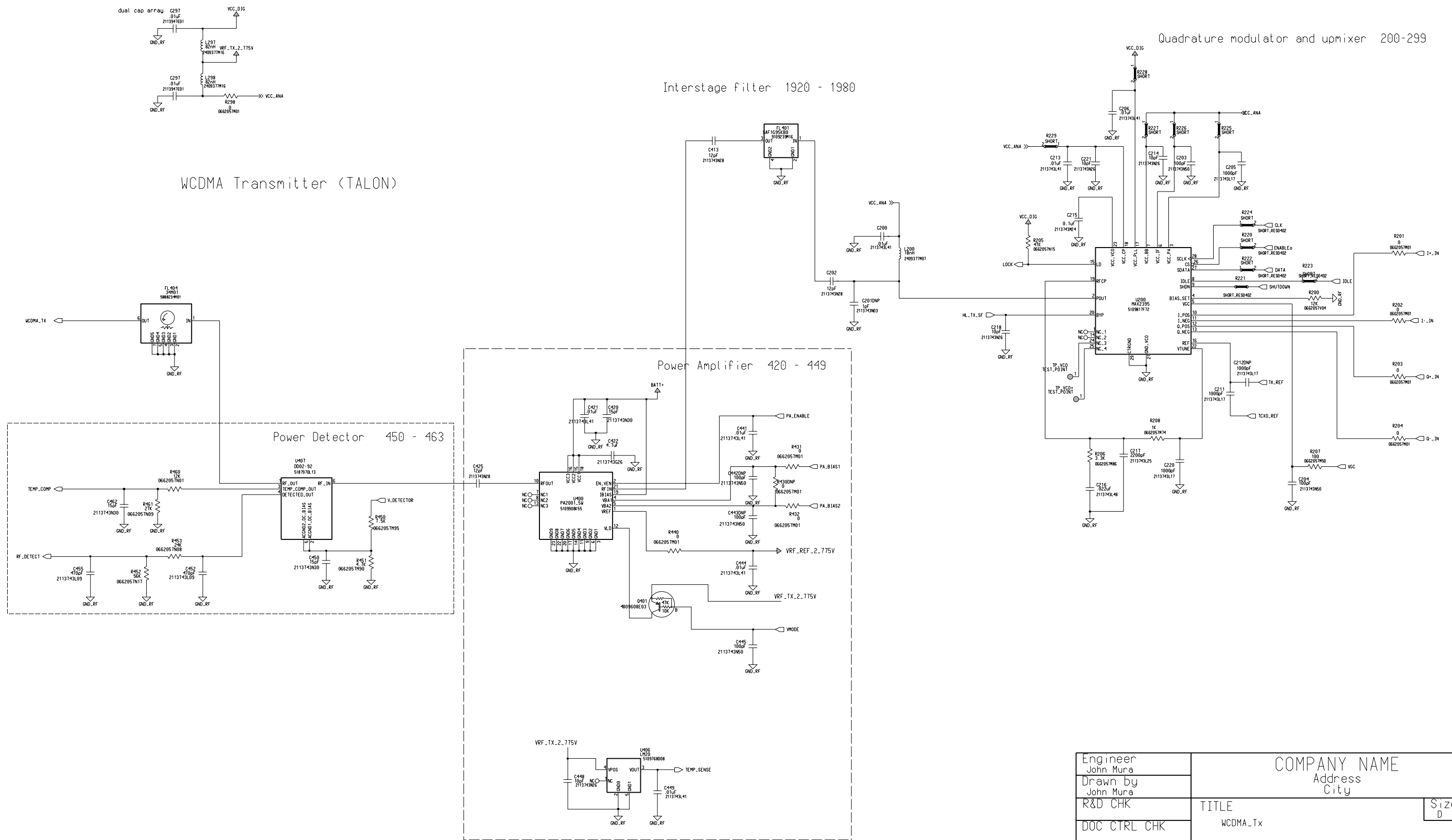
WCDMA Transmitter (TALON)

Quadrature modulator and upmixer 200-299

Interstage filter 1920 - 1980

Power Amplifier 420 - 449

Power Detector 450 - 463



Engineer John Mura	COMPANY NAME Address City		
Drawn by John Mura	TITLE WCDMA_Tx	Size D	
R&D CHK			
DOC CTRL CHK			
MFG CTRL CHK			
QA CHK	REV P6	Drawing Number 8487729N06	Sheet 1 of 1

Changed by Dave Suarez Date Changed June 12, 2003 Time 4:39:58 pm


1

2

3

4

MOTOROLA CONFIDENTIAL PROPRIETARY

Engineer: John S. Kerr	 <b>MOTOROLA INC.</b>		
Drawn by: Todd Roester			
R&D CHK:	TITLE: Talon Integrated	Size: 11x17	
DOC CTRL CHK:	Baseband Top Level		
MFG CTRL CHK:	REV:	Drawing Number:	Page:
QA CHK:	Date: Monday, March 4, 2002	Time: 10:39:56 am	

A

B

C

D

### Misc Connectors

- Display Connector USIM
- Keypad Connector IrDA
- Headset Jack Vibrator
- Fun Lights

- FUNLITE\_GRN
- FUNLITE\_RED
- FUNLITE\_BLU
- IRDA\_SD
- IRDA\_RX
- IRDA\_TX
- USIM\_CLK
- USIM\_RST
- USIM\_IO
- USIM\_PD\*
- LCD(15:8)
- LCD\_CLK
- LCD\_HSYNC
- LCD\_VSYNC
- CLT\_SPI\_CLK
- CLT\_SPI\_DATA
- CLT\_CS
- DISPLAY\_SPI\_CLK
- DISPLAY\_SPI\_DATA
- DISPLAY\_CS
- DISPLAY\_ON
- FRNT\_LIGHT\_CTRL
- KEY(0:11)
- GPIO\_5V\_EN

- RF\_RESET\*
- BCLKR
- BFSR
- BDR
- BCLKX
- BFSX
- BDX
- DMCS\_MAGIC
- BB\_CLK\_13M
- CLK\_SEL
- NB\_EXC\_EN\*
- NB\_RX\_ACO
- NB\_TX\_EN\*
- NB\_SPI\_CLK
- NB\_SPI\_MOSI
- MAGIC\_CS
- TX\_RX\_ERROR
- DET\_FLAG
- BBIF\_RX\_FRM
- BBIF\_RX(7:2)
- BBIF\_TX(7:0)
- BBIF\_TX\_FRM
- BBIF\_TX\_FRAME
- BBIF\_CLK
- BB\_CLK\_15\_36M
- WB\_TX\_RAMP
- WB\_RX\_SLOT
- WB\_TX\_SLOT
- WB\_TX\_PREKEY
- WB\_RX\_ACO
- WB\_RX\_ON
- AOC\_PWR\_UP
- HL\_TX\_EN

- ALRT+
- ALRT-
- HS\_MAKE\_DETECT
- HS\_MIC
- HS\_SPKR\_L
- HS\_SPKR\_R
- ON\_OFF\_END\*
- V\_VIB
- EAR\_SPKR-
- EAR\_SPKR+
- VID\_GPSb\_SEL

### CORE LOGIC BLOCK

- POG
- Memories
- Video
- AGPS
- Embedded SD

- FUNLITE\_GRN
- FUNLITE\_RED
- FUNLITE\_BLU
- IRDA\_SD
- IRDA\_RX
- IRDA\_TX
- USIM\_CLK
- USIM\_RST
- USIM\_IO
- USIM\_PD\*
- LCD(15:8)
- LCD\_CLK
- LCD\_HSYNC
- LCD\_VSYNC
- CLT\_SPI\_CLK
- CLT\_SPI\_DATA
- CLT\_CS
- DISPLAY\_SPI\_CLK
- DISPLAY\_SPI\_DATA
- DISPLAY\_CS
- DISPLAY\_ON
- FRNT\_LIGHT\_CTRL
- KEY(0:11)
- GPIO\_5V\_EN
- RF\_RESET\*
- BCLKR
- BFSR
- BDR
- BCLKX
- BFSX
- BDX
- DMCS\_MAGIC
- BB\_CLK\_13M
- CLK\_SEL
- NB\_EXC\_EN\*
- NB\_RX\_ACO
- NB\_TX\_EN\*
- NB\_SPI\_CLK
- NB\_SPI\_MOSI
- MAGIC\_CS
- TX\_RX\_ERROR
- DET\_FLAG
- BBIF\_RX\_FRM
- BBIF\_RX(7:2)
- BBIF\_TX(7:0)
- BBIF\_TX\_FRM
- BBIF\_TX\_FRAME
- BBIF\_CLK
- BB\_CLK\_15\_36M
- WB\_TX\_RAMP
- WB\_RX\_SLOT
- WB\_TX\_SLOT
- WB\_TX\_PREKEY
- WB\_RX\_ACO
- WB\_RX\_ON
- AOC\_PWR\_UP
- HL\_TX\_EN

### CE Bus Connector

- VID\_RTS\*
- LOGIC\_SENSE
- VID\_CTS\*
- SWB+\_EN
- HKSW
- MUTE\*
- DSEL2
- DSEL1
- DSELO
- OPT1
- OPT2
- DATALOG\*

- VID\_RTS\*
- LOGIC\_SENSE
- VID\_CTS\*
- SWB+\_EN
- HKSW
- MUTE\*
- DSEL2
- DSEL1
- DSELO
- OPT1
- OPT2
- DATALOG\*

- BATT\_FDBK
- D+
- D-
- AUDIO\_IN
- AUDIO\_OUT

### Bluetooth

- BLUETOOTH\_WAKE\*
- BLUETOOTH\_INT\*
- BLUE\_TX
- BLUE\_CTS\*
- BLUE\_RTS\*
- BLUE\_RX
- WB\_SPI\_CLK
- WB\_SPI\_MOSI
- WB\_SPI\_MISO
- HARMONY\_CS
- CLK\_32\_768K\_BUFF

### PCAP (Power/Audio)

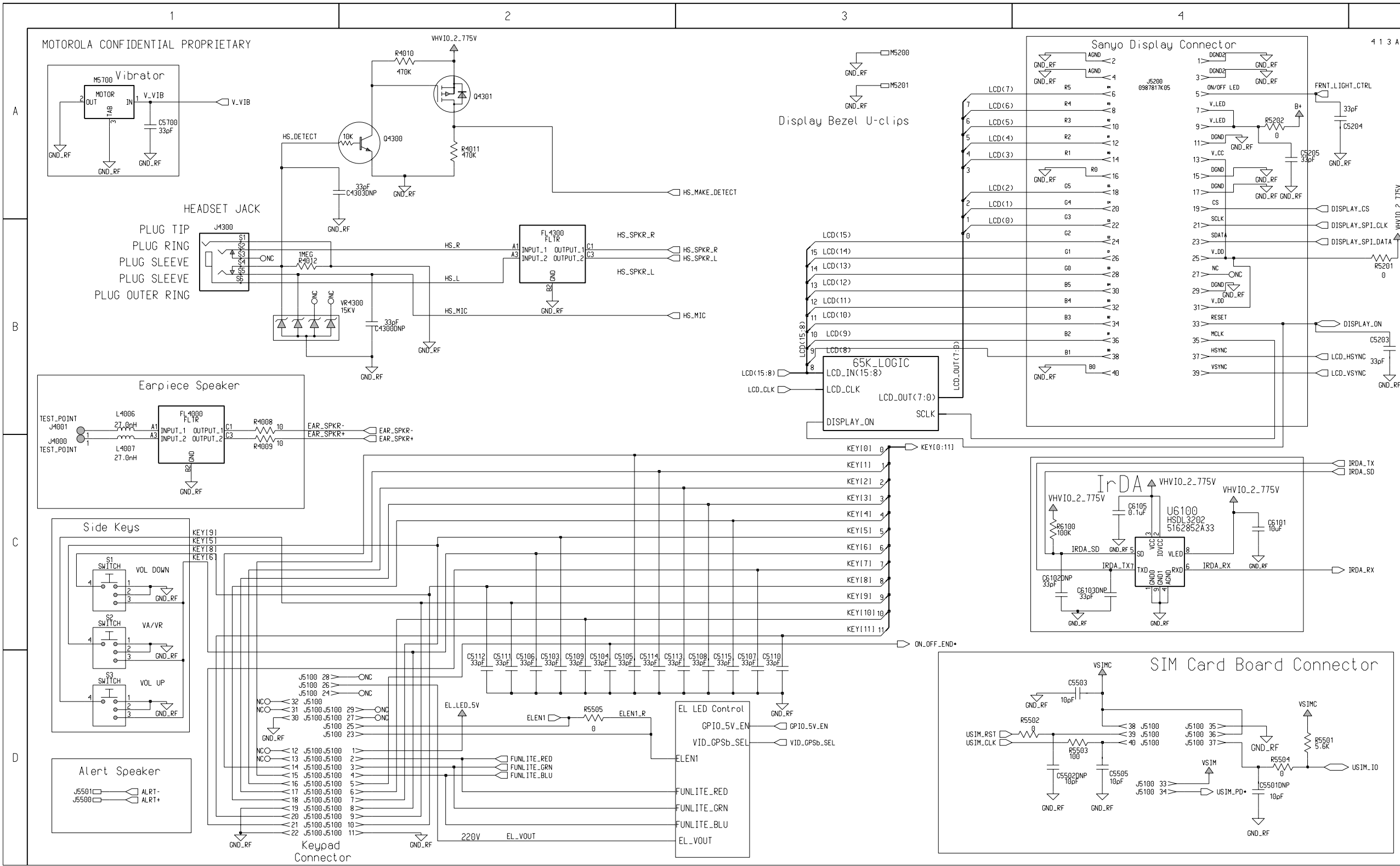
- ASAP\_FS
- ASAP\_CLK
- ASAP\_RX
- ASAP\_TX
- STEREO\_FS
- STEREO\_CLK
- STEREO\_TX
- VSIMC\_EN
- MUXCTL
- BATT\_IO
- RXD.VMIN
- TXD.VPOUT
- RTS\*.XRXD
- USB\_TXEN\*
- USB\_VMOUT
- USB\_VPIN
- USB\_DETECT
- BB\_SPI\_CLK
- BB\_SPI\_MISO
- BB\_SPI\_MOSI
- PCAP\_CS
- PCAP\_INT
- PCAP\_RESET\*
- USER\_OFF
- POWER\_FAIL
- PCAP\_MCU\_RESET\*
- WATCHDOG
- CLK\_32\_768K
- NB\_STANDBY
- VID\_GPSb\_SEL
- MIDRATE\_1
- MIDRATE\_2
- NB\_TX\_KEYM
- BATT\_FDBK\_SW
- BATT\_DETB
- REF\_15\_36
- NB\_TX\_KEYM

- EAR\_SPKR+
- EAR\_SPKR-
- V\_VIB
- ELEN1
- ON\_OFF\_END\*
- HS\_SPKR\_R
- HS\_SPKR\_L
- HS\_MIC
- HS\_MAKE\_DETECT

- ALRT-
- ALRT+

MOTOROLA CONFIDENTIAL PROPRIETARY

Engineer: Ed Naddeo	<b>MOTOROLA INC.</b>		
Drawn by: Ed Naddeo			
R&D CHK:	TITLE: TALON INTEGRATED	Size: 11x21	
DOC CTRL CHK:	Misc Connectors		
MFG CTRL CHK:	REV: 1	Drawing Number: 1	Page: 1
QA CHK:	Date: Monday, April 23, 2001	Time: 11:27:59 am	
Changed by: Ed Naddeo			

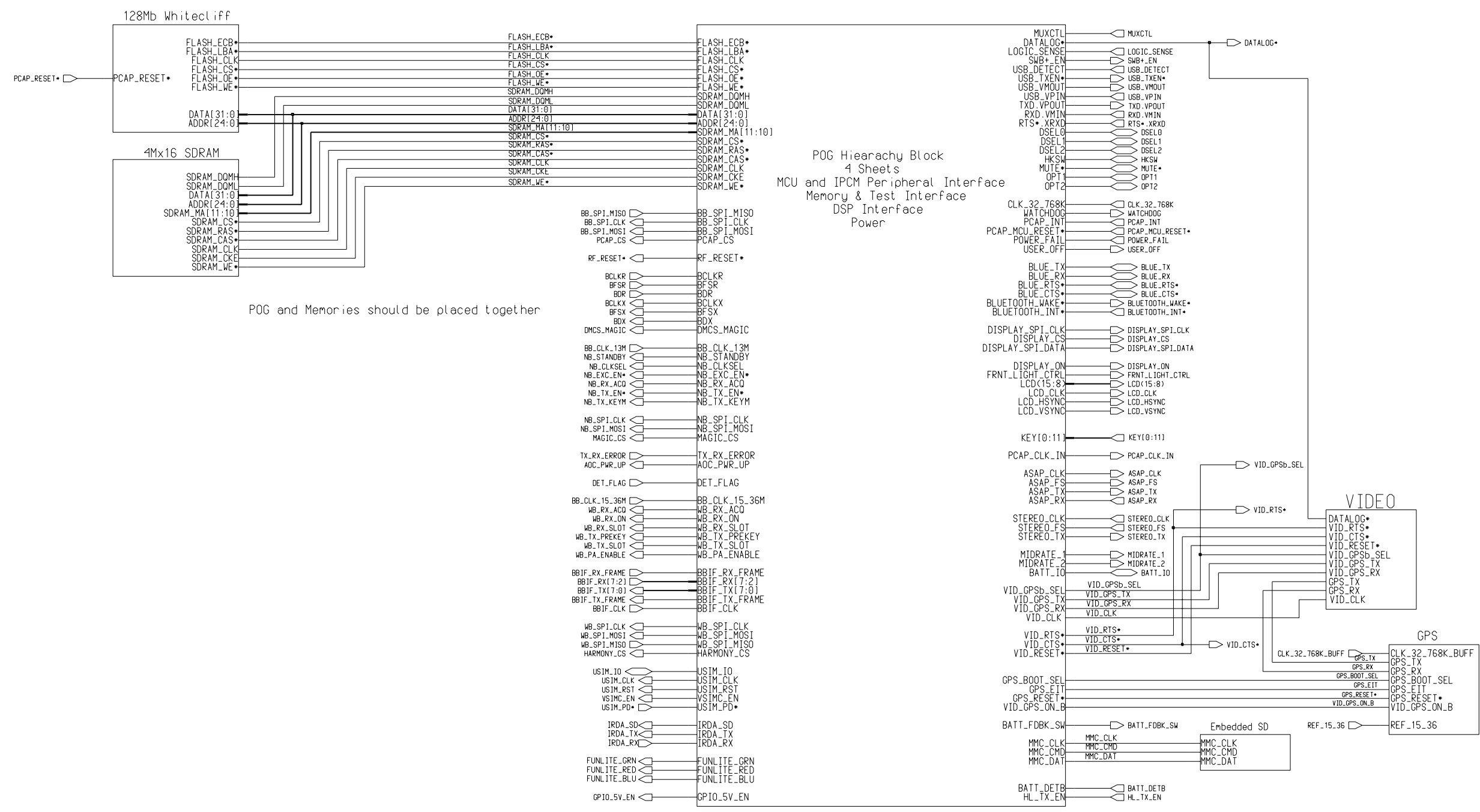


Engineer: Ed Naddeo	<b>MOTOROLA INC.</b>		
Drawn by: Ed Naddeo			
R&D CHK:	TITLE: TALON INTEGRATED	Size: 11x21	
DOC CTRL CHK:	Misc Connectors		
MFG CTRL CHK:	REV: 1	Drawing Number: 1	Page: 1
QA CHK:	Date: Monday, April 23, 2001	Time: 11:27:59 am	
Changed by: Ed Naddeo			

MOTOROLA CONFIDENTIAL PROPRIETARY

4 1 3 A

Engineer: Ed Naddeo	<b>MOTOROLA INC.</b>		
Drawn by: Ed Naddeo			
R&D CHK:	TITLE: Talon Integrated	Size: 11x21	
DOC CTRL CHK:	Core Logic		
MFG CTRL CHK:	REV: 1.0	Drawing Number: 848888x88	
QA CHK:	Page: 1	Of: 1	
Changed by: wlen01	Date: Friday, March 1, 2002	Time: 1:16:44 pm	

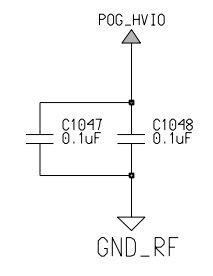
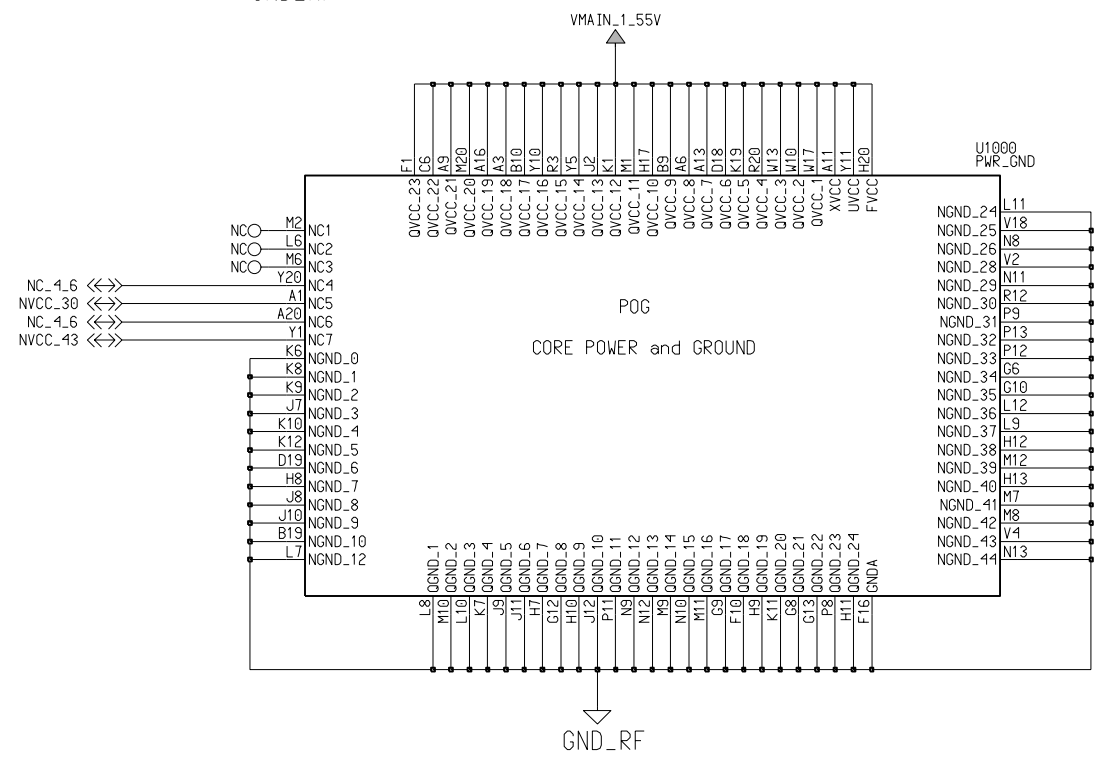
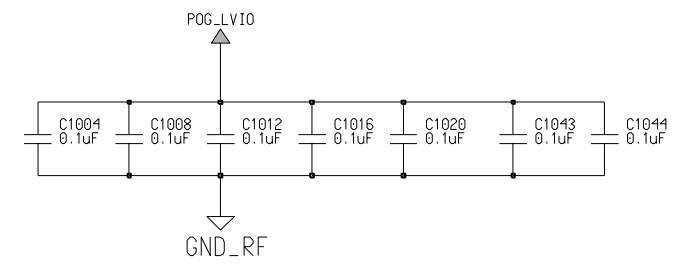
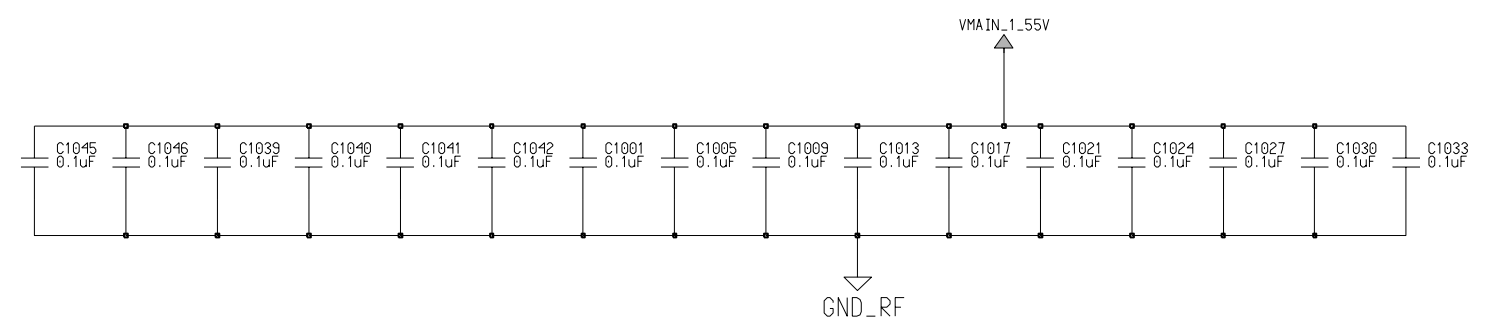
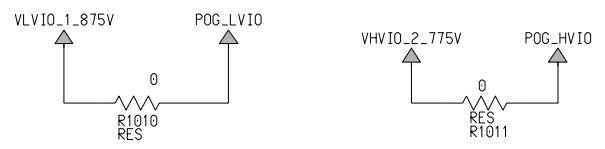


POG and Memories should be placed together

MOTOROLA CONFIDENTIAL PROPRIETARY

4 1 3 A

Engineer: Ed Naddeo			
Drawn by: Ed Naddeo			
R&D CHK:	TITLE: Talon Integrated	Size: 11x17	
DOC CTRL CHK:	POG		
MFG CTRL CHK:	Power		
QA CHK:	REV: 1	Drawing Number: 8488888x88	Page: 1 OF 4
Changed by: wlen01	Date: Tuesday, February 26, 2002	Time: 2:56:17 pm	



A

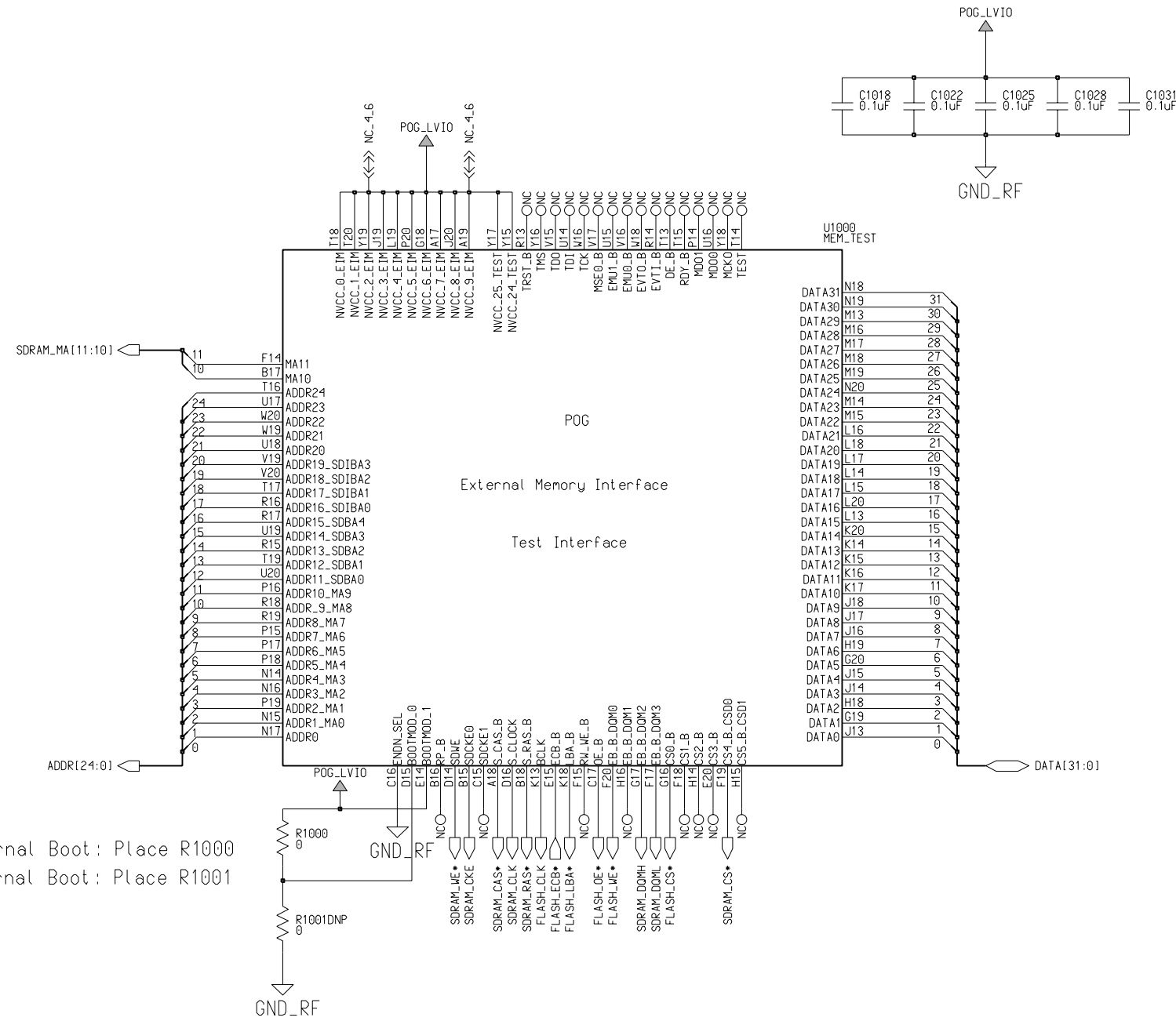
B

C

D

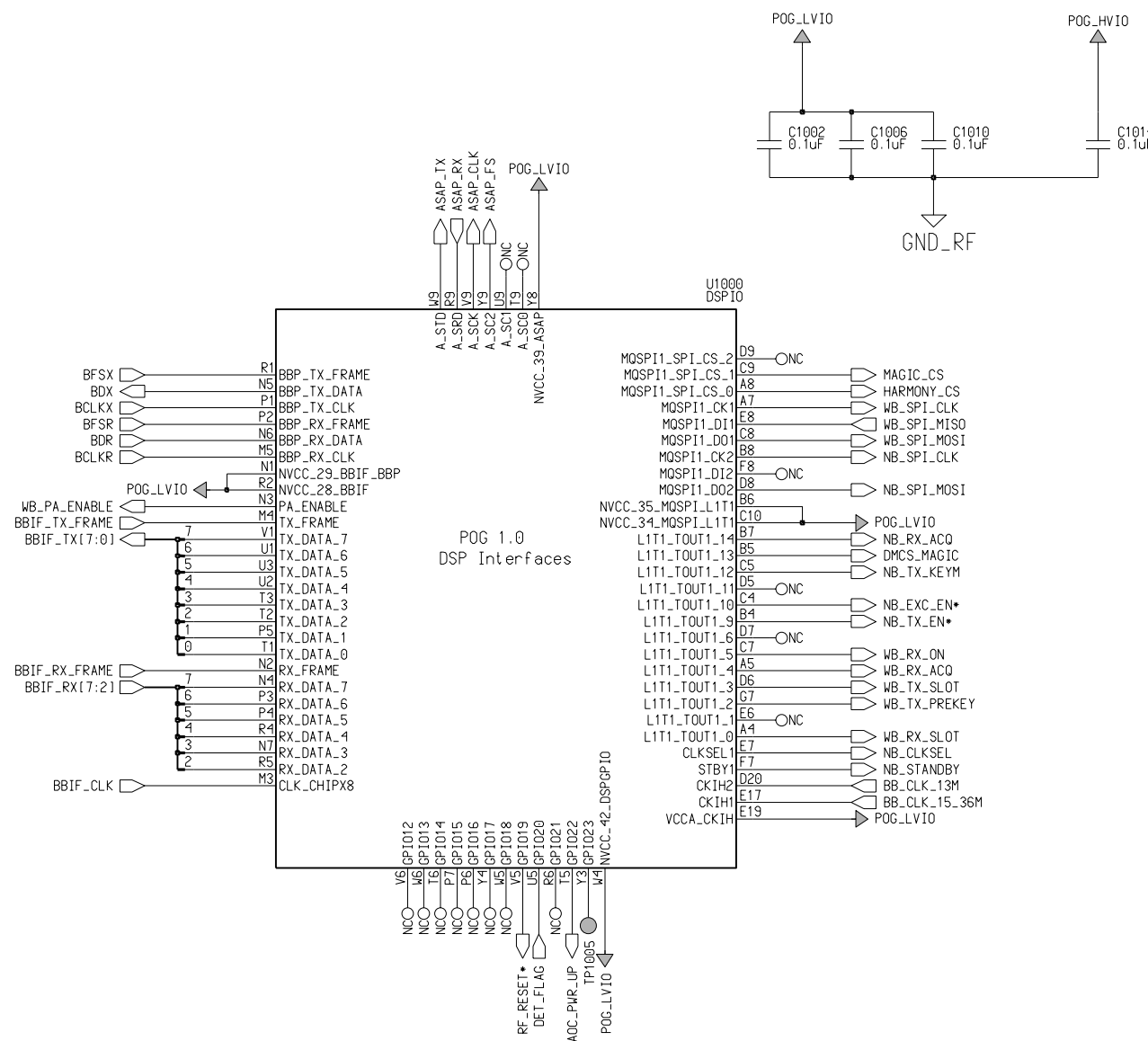


Engineer: Ed Naddeo			
Drawn by: Ed Naddeo			
R&D CHK:	TITLE: Talon Integrated	Size: 11x17	
DOC CTRL CHK:	POG	Memory and Test Interface	
MFG CTRL CHK:	REV: 1.0	Drawing Number: 848888x88	Page: 3
QA CHK:	Date: Tuesday, February 26, 2002	OF: 4	Time: 6:15:09 pm
Changed by: wlen01			



Internal Boot : Place R1000  
 External Boot : Place R1001

Engineer: Ed Naddeo	TITLE: Talon Integrated			Size: 11x17
Drawn by: Ed Naddeo	POG			
R&D CHK:	DSP Interface			
DOC CTRL CHK:	REV: 1.0	Drawing Number: 848888x88	Page: 4	OF: 4
MFG CTRL CHK:	Date: Tuesday, February 26, 2002			Time: 6:16:44 pm
QA CHK:	Changed by: wlen01			

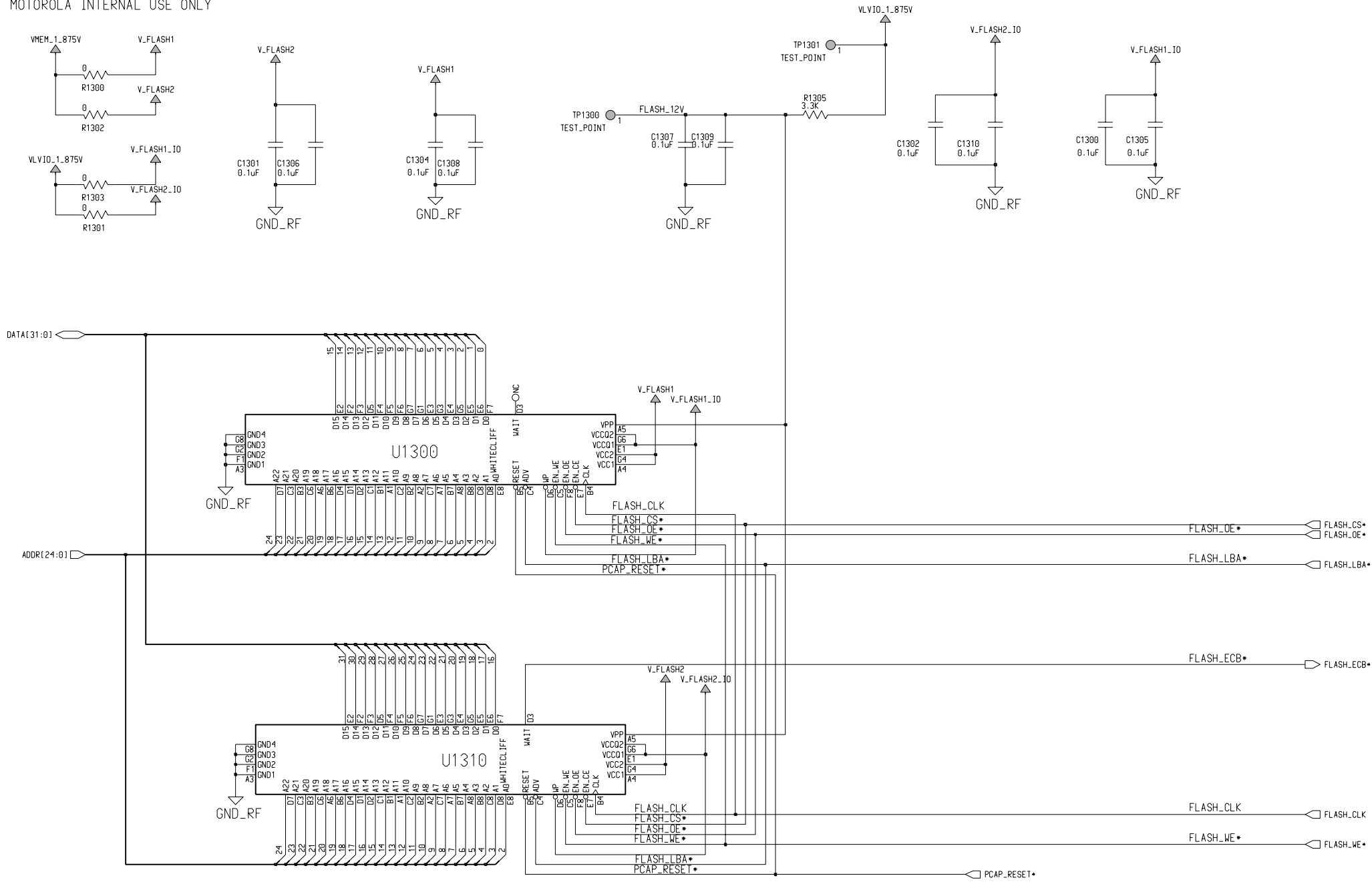




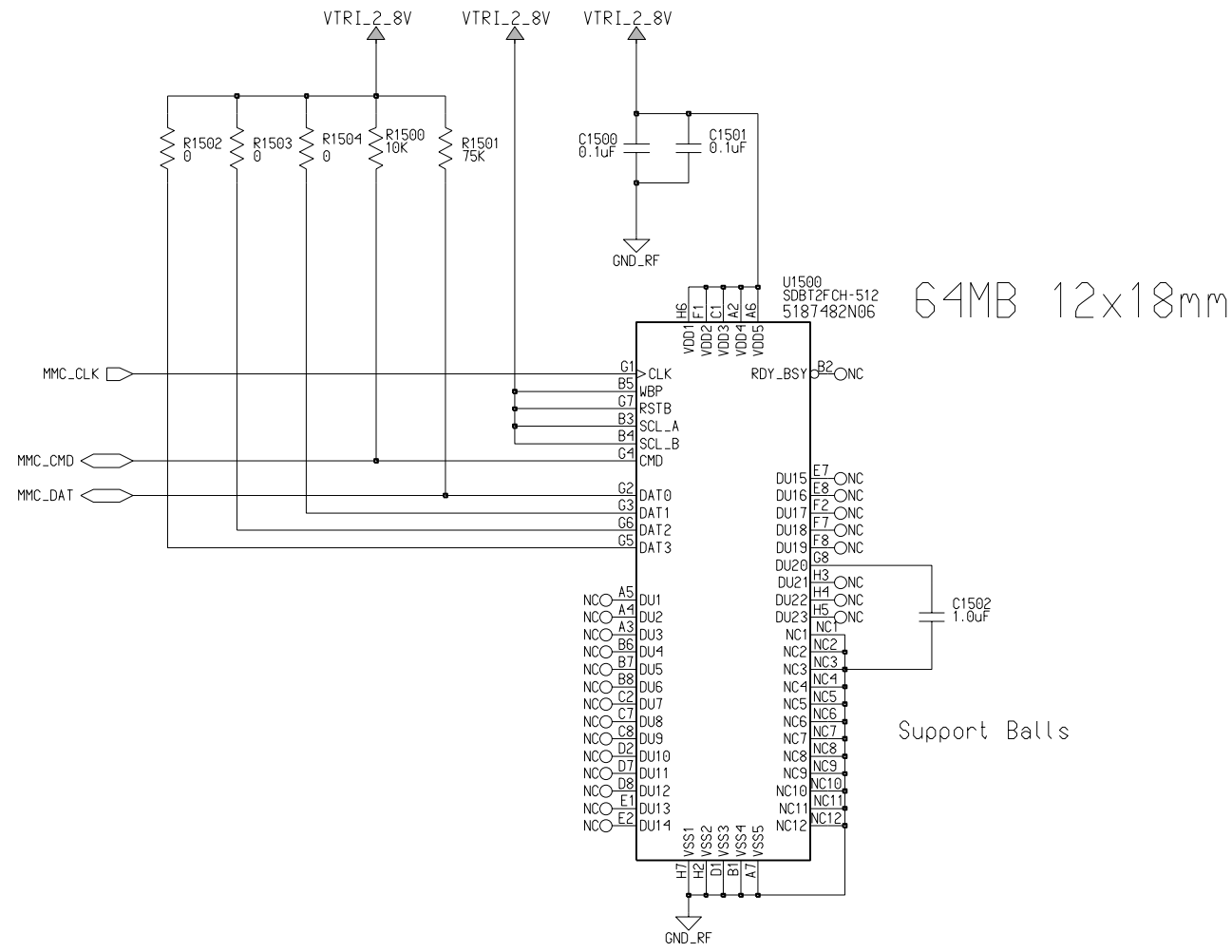
MOTOROLA INTERNAL USE ONLY

4 1 3 A

Engineer: Ed Naddeo			
Drawn by: Ed Naddeo			
R&D CHK:	TITLE: Talon Integrated Flash Memory	Size: 11x21	
DOC CTRL CHK:	REV: 0.1	Drawing Number: 1	Page: 1
MFG CTRL CHK:	Date: Monday, May 6, 2002	Time: 9:32:29 am	
QA CHK:			
Changed by: Chris Pipe			



Engineer: Ed Naddeo	TITLE: Talon Integrated		
Drawn by: Ed Naddeo	Size: 11x17		
R&D CHK:	DOC CTRL CHK:		
MFG CTRL CHK:	QA CHK:		
REV: 1.0	Drawing Number: 84888888x88	Page: 1	OF: 1
Changed by: Chris Pipe	Date: Friday, May 3, 2002	Time: 1:25:03 pm	



64MB 12x18mm

Support Balls

A


B

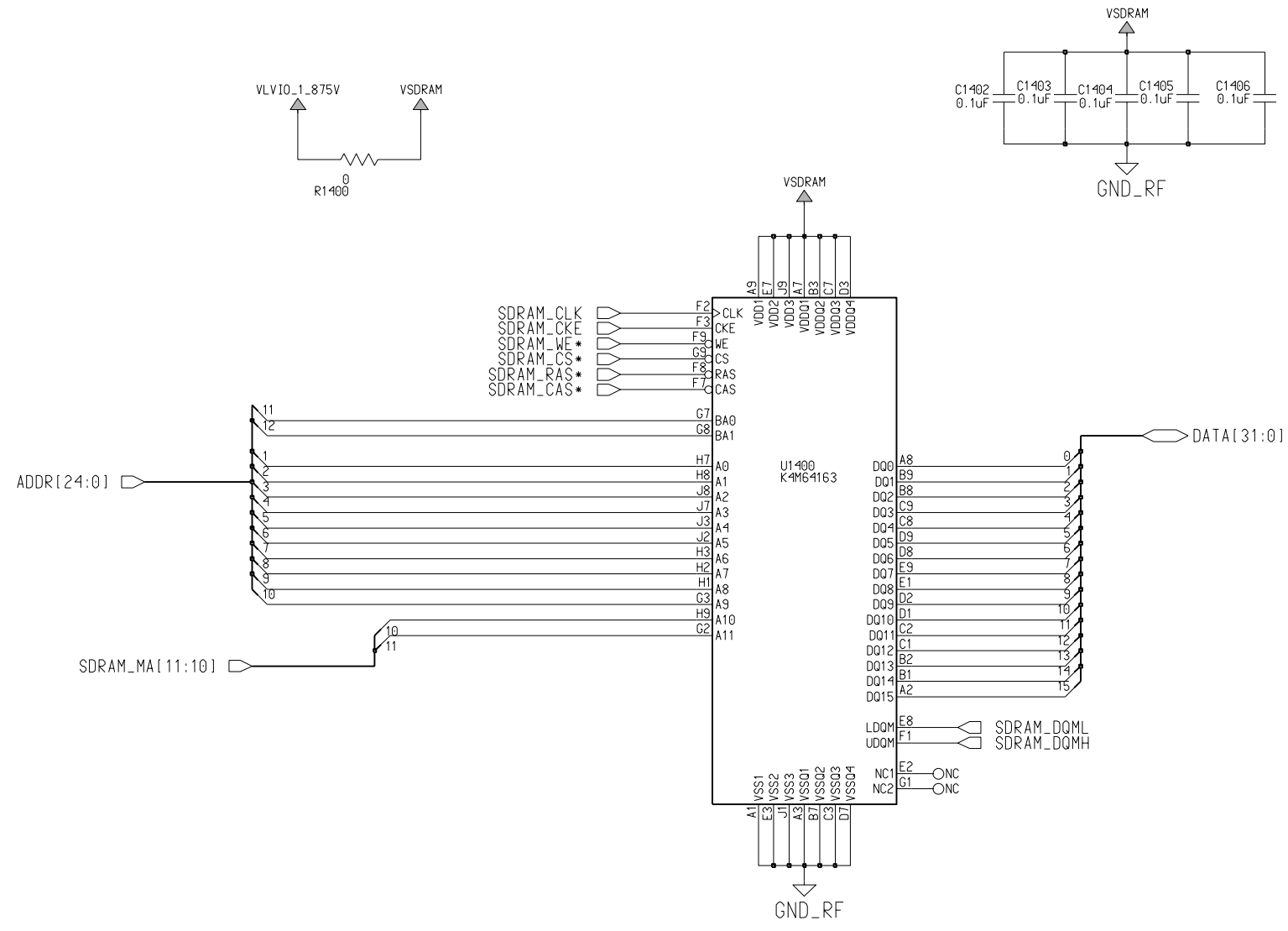
C

D

MOTOROLA CONFIDENTIAL PROPRIETARY

4 1 3 A

Engineer: Ed Naddeo	 <b>MOTOROLA INC.</b>			
Drawn by: Ed Naddeo				
R&D CHK:	TITLE: Talon Integrated	Size: 11x17		
DOC CTRL CHK:	4Mx16 SDRAM			
MFG CTRL CHK:				
QA CHK:	REV: 1.0	Drawing Number: 8488888x88	Page: 1	Of: 1
Changed by: ulen01	Date: Friday, March 1, 2002	Time: 3:37:06 pm		

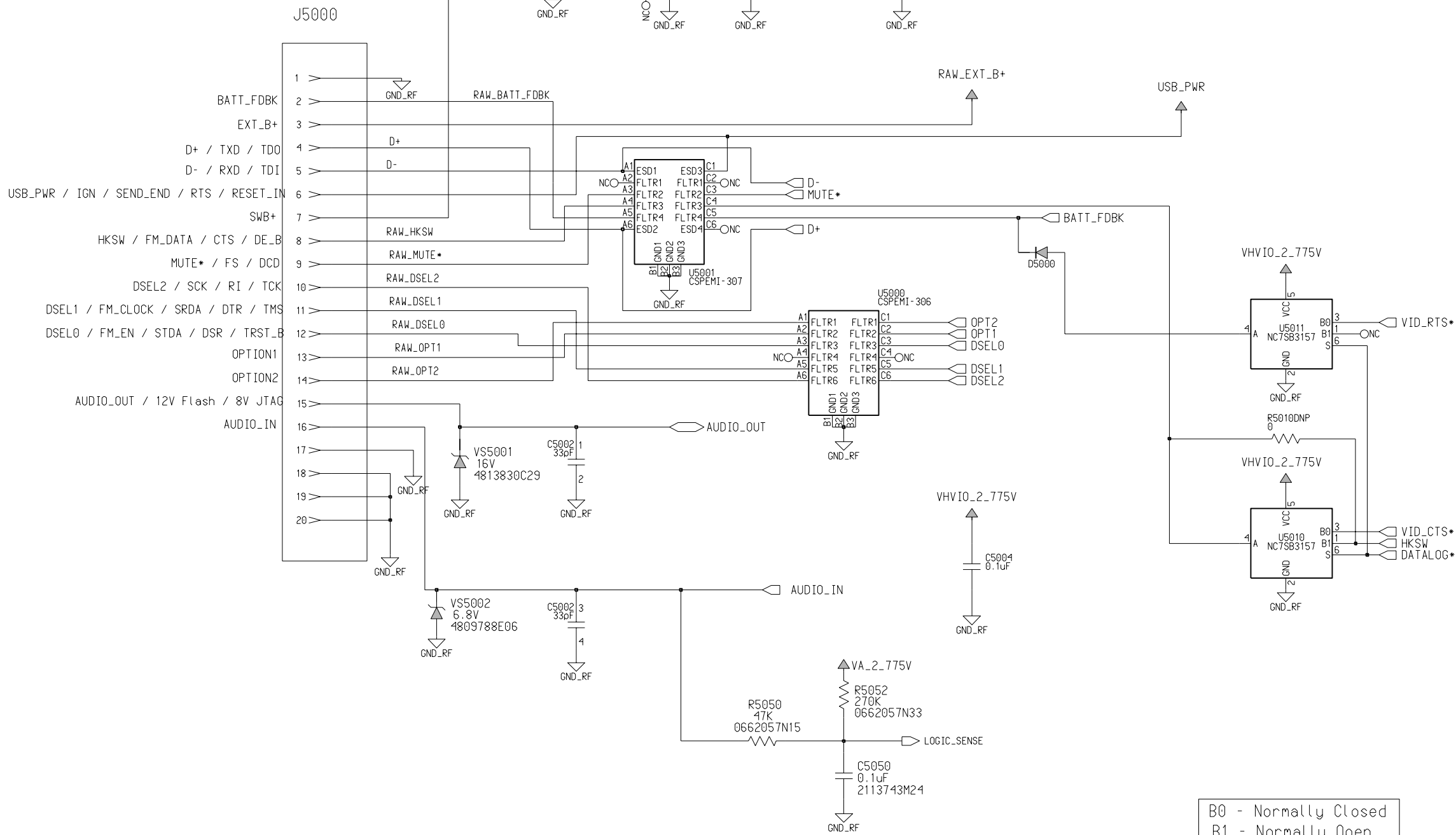






MOTOROLA CONFIDENTIAL PROPRIETARY

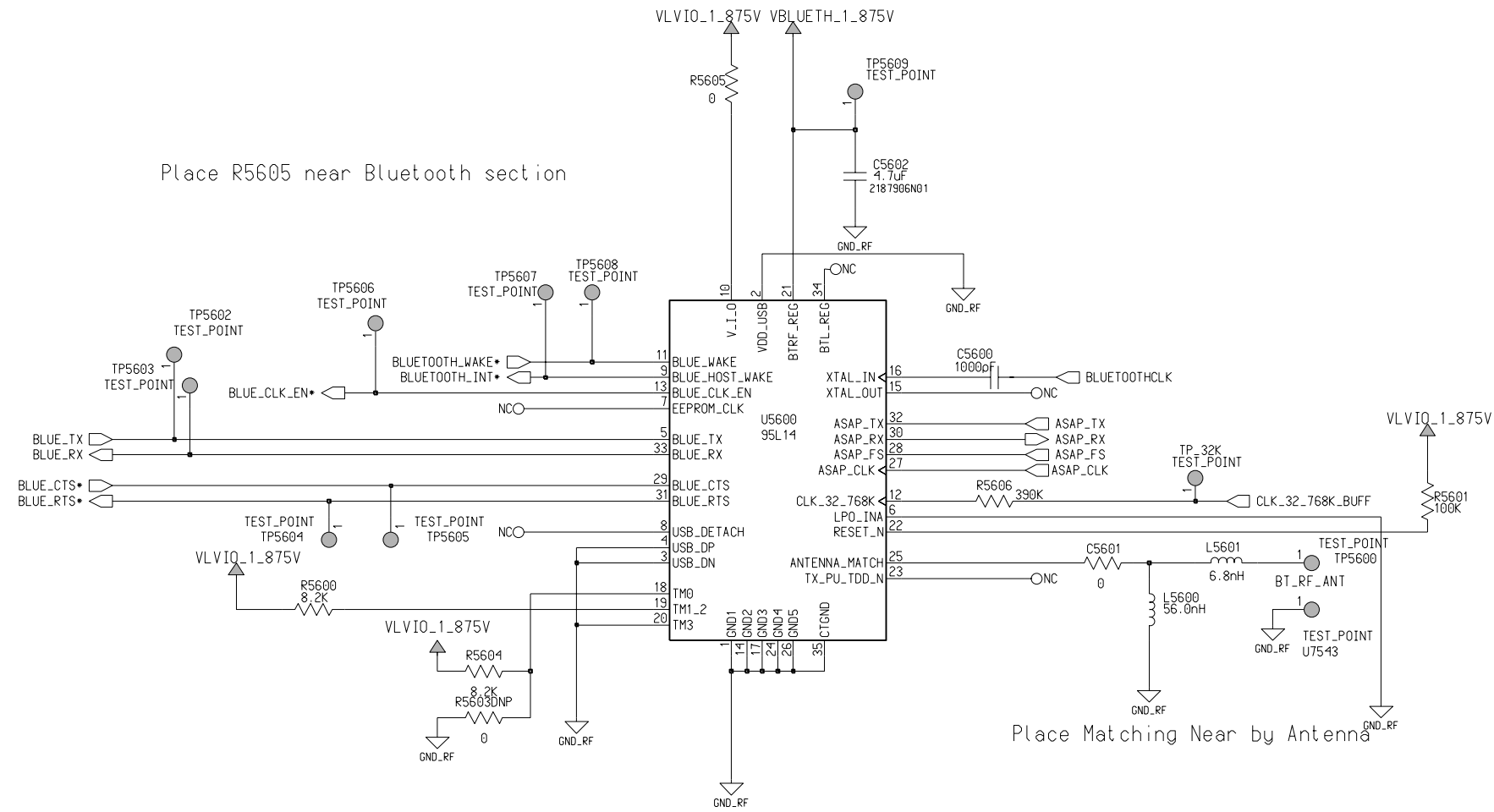
### Accessory Connector CE Connector (0987636K05)



B0 - Normally Closed  
B1 - Normally Open  
S - Select  
A - Common

Engineer: Jennifer Seamour	MOTOROLA INC.		
Drawn by:			
R&D CHK:	TITLE: TALON Integrated	Size:	
DOC CTRL CHK:	CE Accessory Connector		
MFG CTRL CHK:	REV:	Drawing Number:	Page:
QA CHK:			OF:
Changed by: Ed Naddeo	Date: 4/3/02	Time:	

Engineer: Dave Stubbs	MOTOROLA INC.		
Drawn by:	TITLE: TALON Integrated Bluetooth		
R&D CHK:	REV: Drawing Number: Page: OF:		Size:
DOC CTRL CHK:			
MFG CTRL CHK:			
QA CHK:			
Changed by: Dave Suarez	Date: February 24, 2003	Time:	

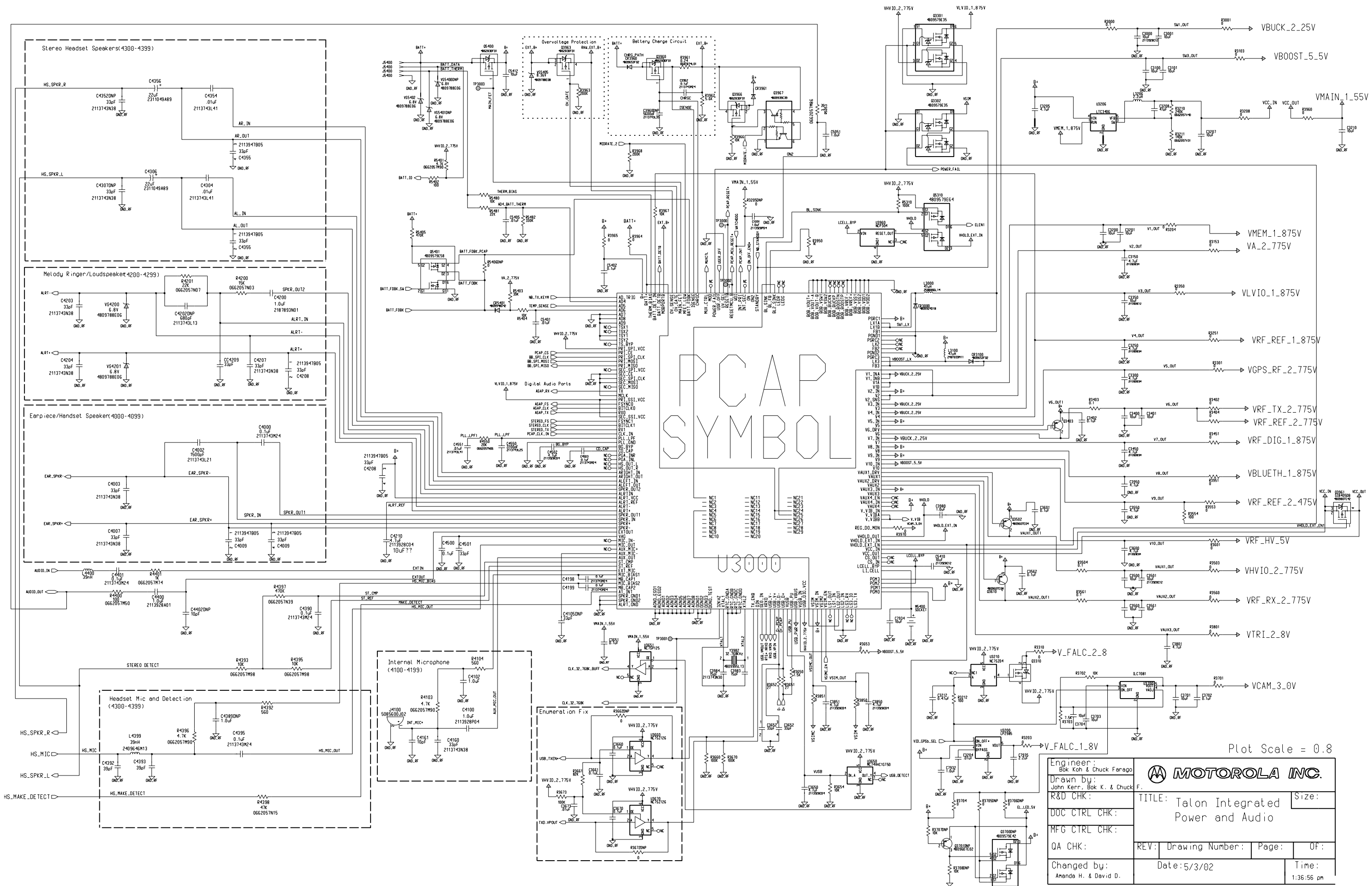


A

B

C

D



PCAP  
SYMBOL

U3000

Plot Scale = 0.8

Engineer: Bok Koh & Chuck Farago		<b>MOTOROLA INC.</b>	
Drawn by: John Kerr, Bok K. & Chuck F.			
R&D CHK:	TITLE: Talon Integrated Power and Audio	Size:	
DOC CTRL CHK:	REV: Drawing Number:	Page:	OF:
MFG CTRL CHK:	QA CHK:	Date: 5/3/02	Time:
Changed by: Amanda H. & David D.			1:36:56 pm





