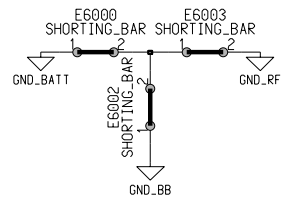
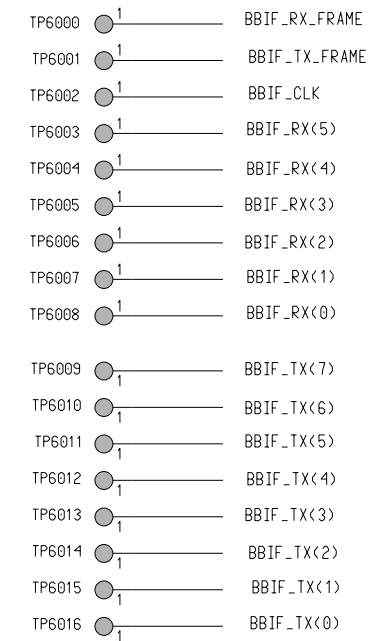
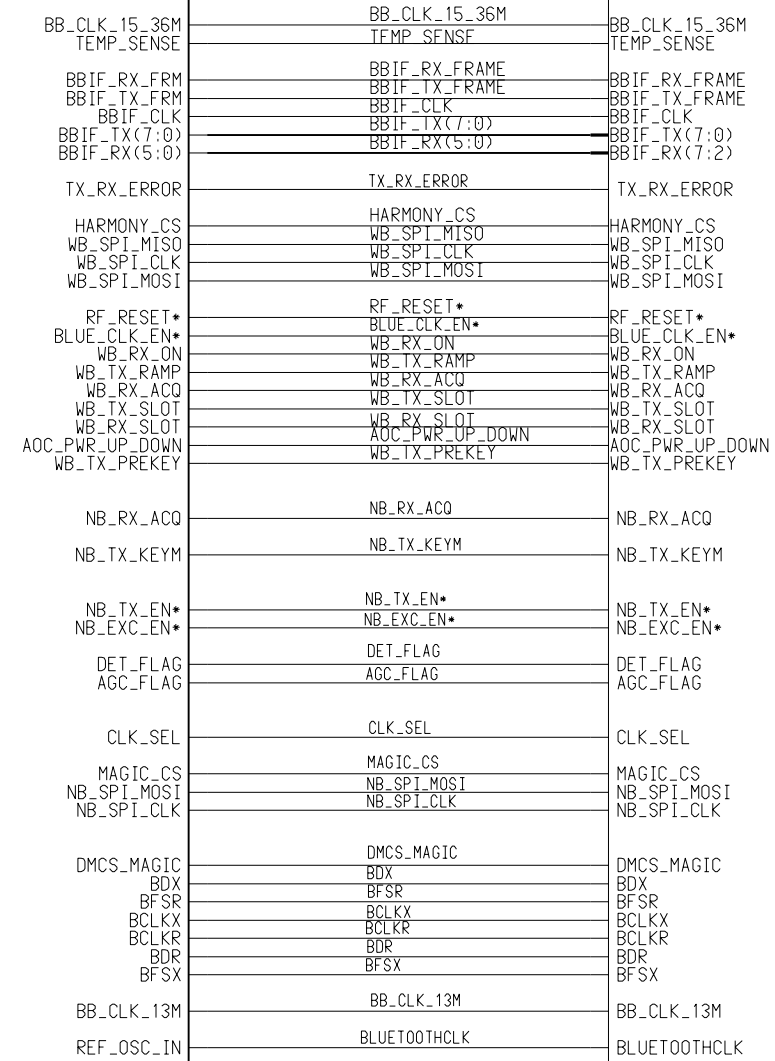


MOTOROLA CONFIDENTIAL PROPRIETARY

Baseband

RF



Engineer: John Kerr			
Drawn by: John Kerr			
R&D CHK:	TITLE: Talon	Size: 11x17	
DOC CTRL CHK:	Top Level		
MFG CTRL CHK:	REV:	Drawing Number:	Page:
QA CHK:	Date: February 1, 2001		Time: 10:43:18 am
Changed by: Ed Neddeo			


A

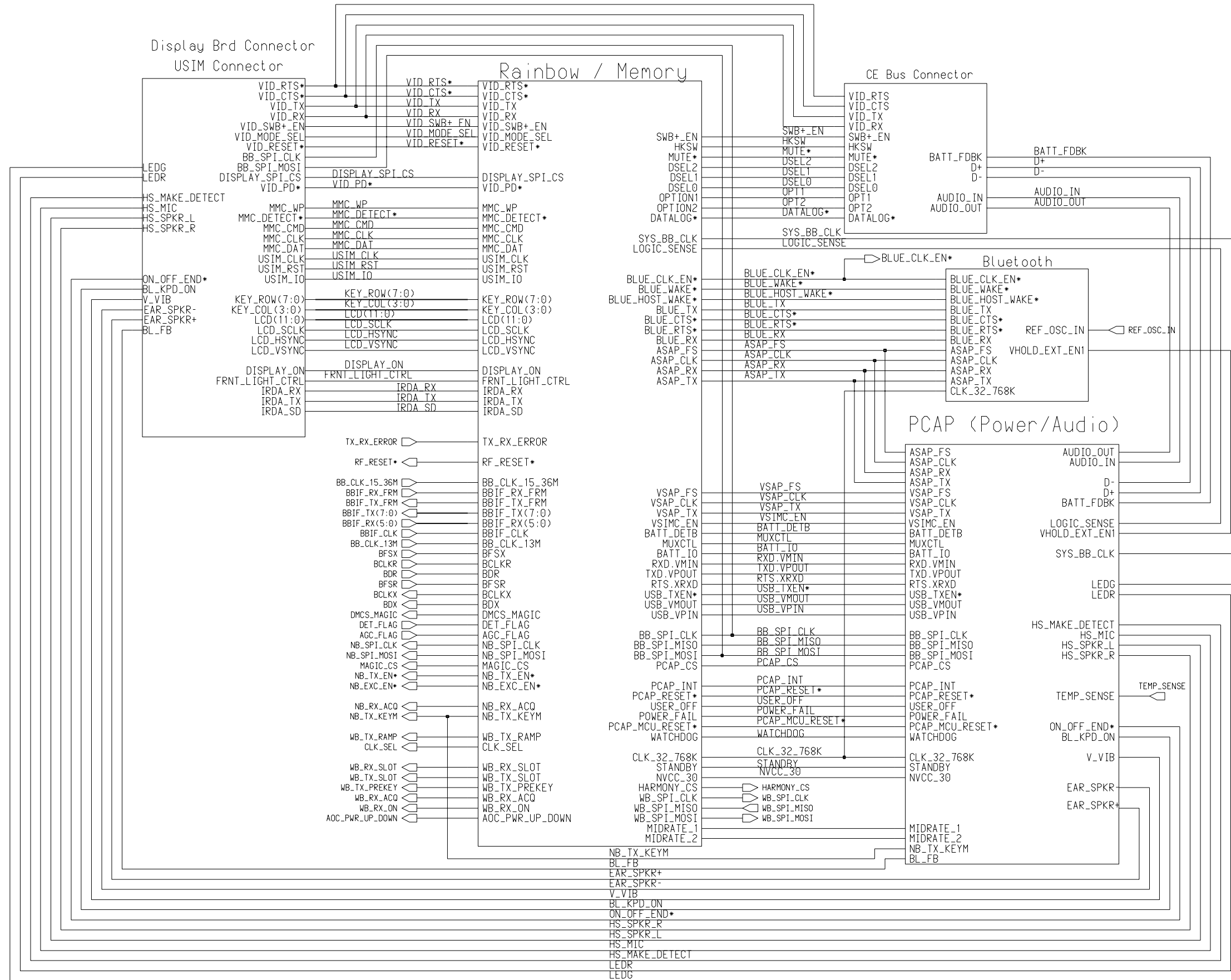
B

C

D

MOTOROLA CONFIDENTIAL PROPRIETARY

Engineer: John S. Kerr	 MOTOROLA INC.		
Drawn by: Todd Roester			
R&D CHK:	TITLE: Talon	Size: 11x17	
DOC CTRL CHK:	Baseband Top Level		
MFG CTRL CHK:	REV:	Drawing Number:	Page:
QA CHK:	Date: Wednesday, March 14, 2001	Time: 10:39:56 am	



A

B

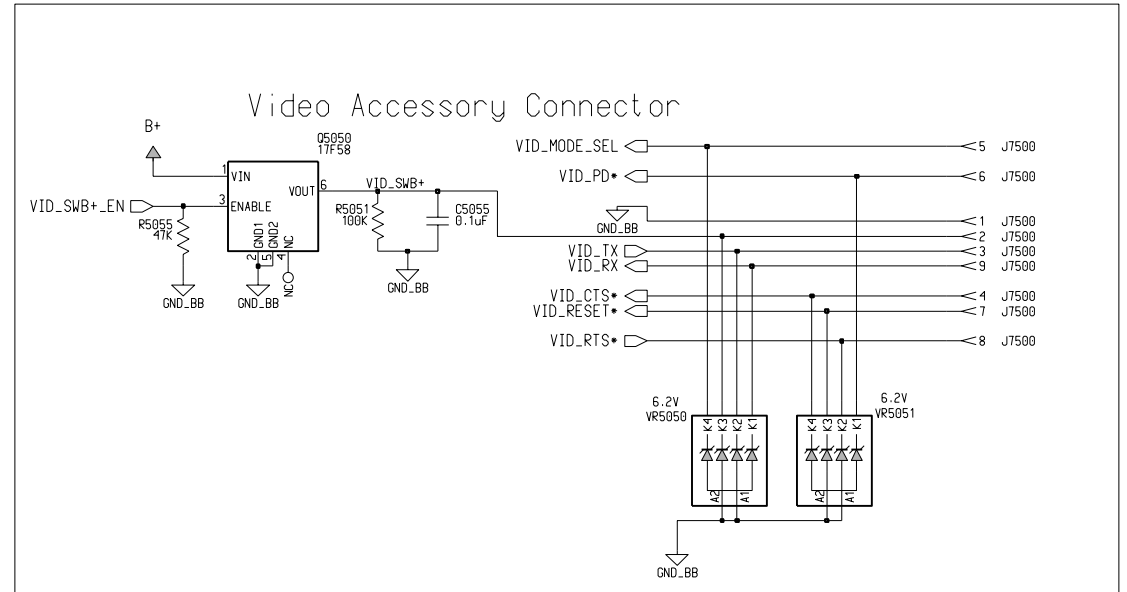
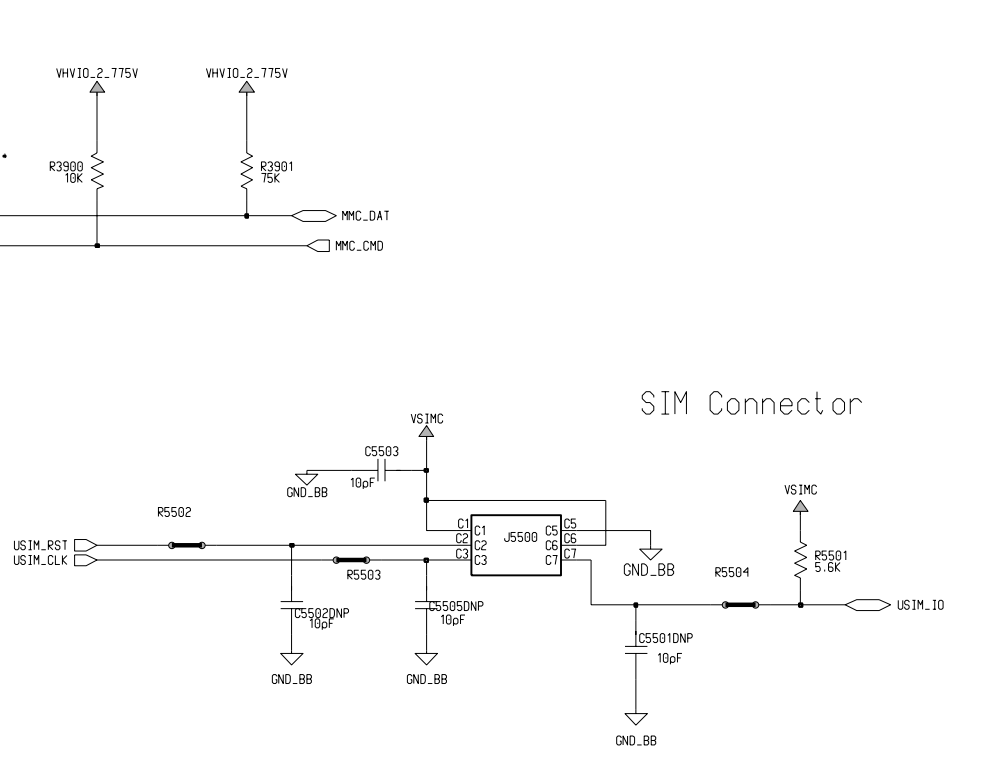
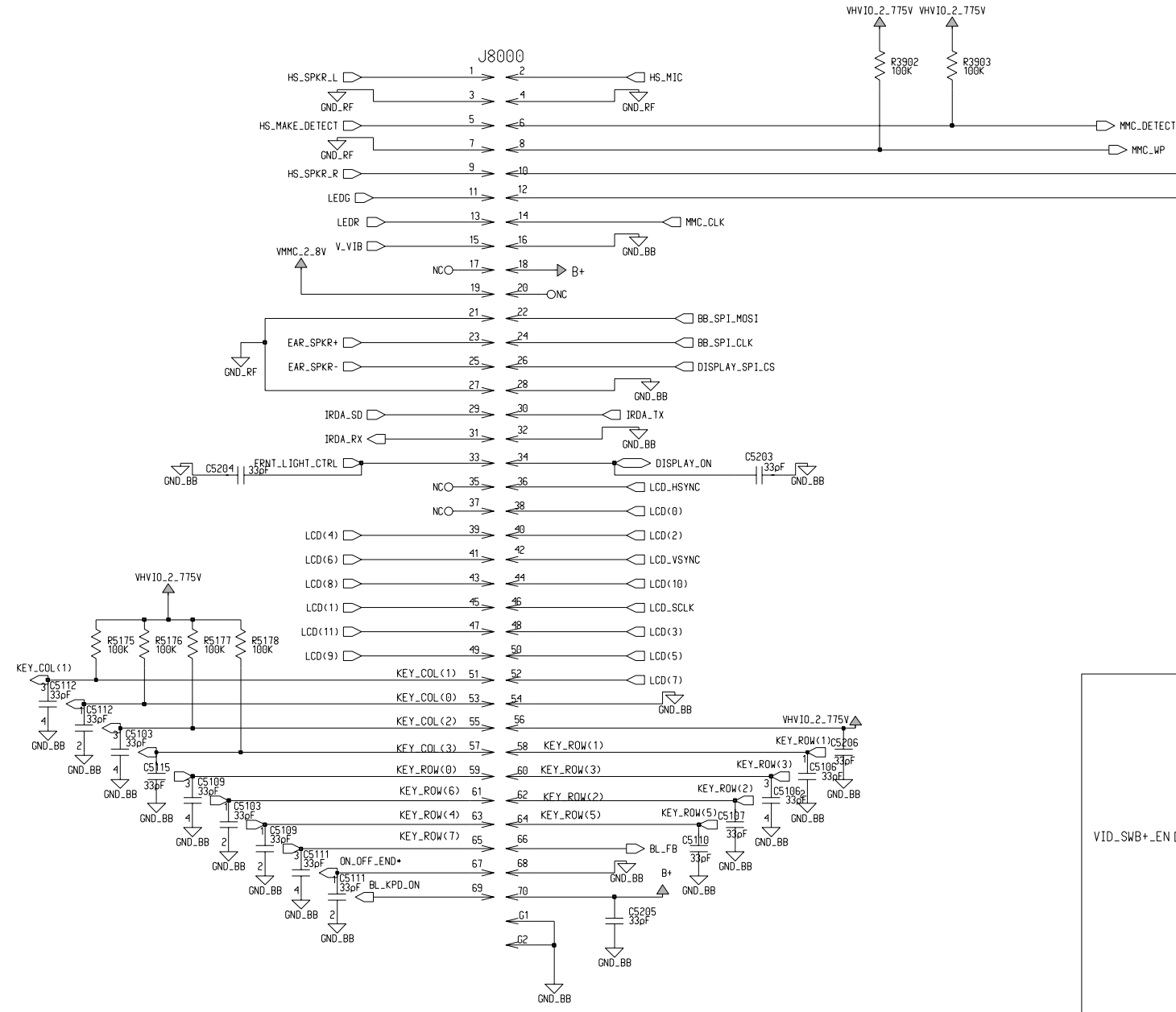
C

D

MOTOROLA CONFIDENTIAL PROPRIETARY

4 1 3 A

Engineer: Ed Naddeo	MOTOROLA INC.		
Drawn by: Ed Naddeo			
R&D CHK:	TITLE: TALON	Size: 11x21	
DOC CTRL CHK:	Daughter Board Connector		
MFG CTRL CHK:	REV: 1	Drawing Number: 1	
QA CHK:	Page: 1	Of: 1	
Changed by: Ed Naddeo	Date: Monday, April 23, 2001	Time: 11:27:59 am	



1 2 3 4 5

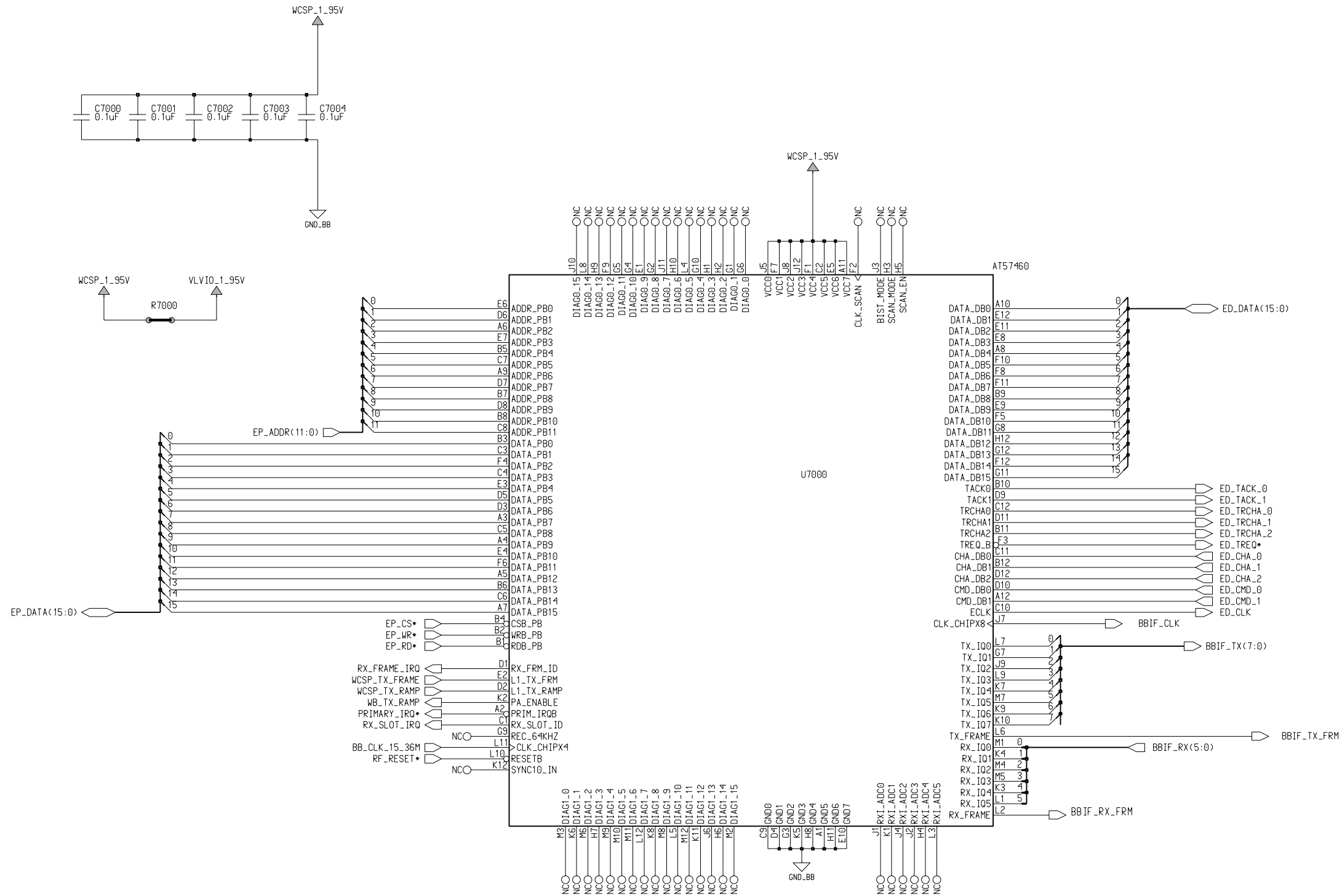
A

B

C

D

MOTOROLA CONFIDENTIAL PROPRIETARY



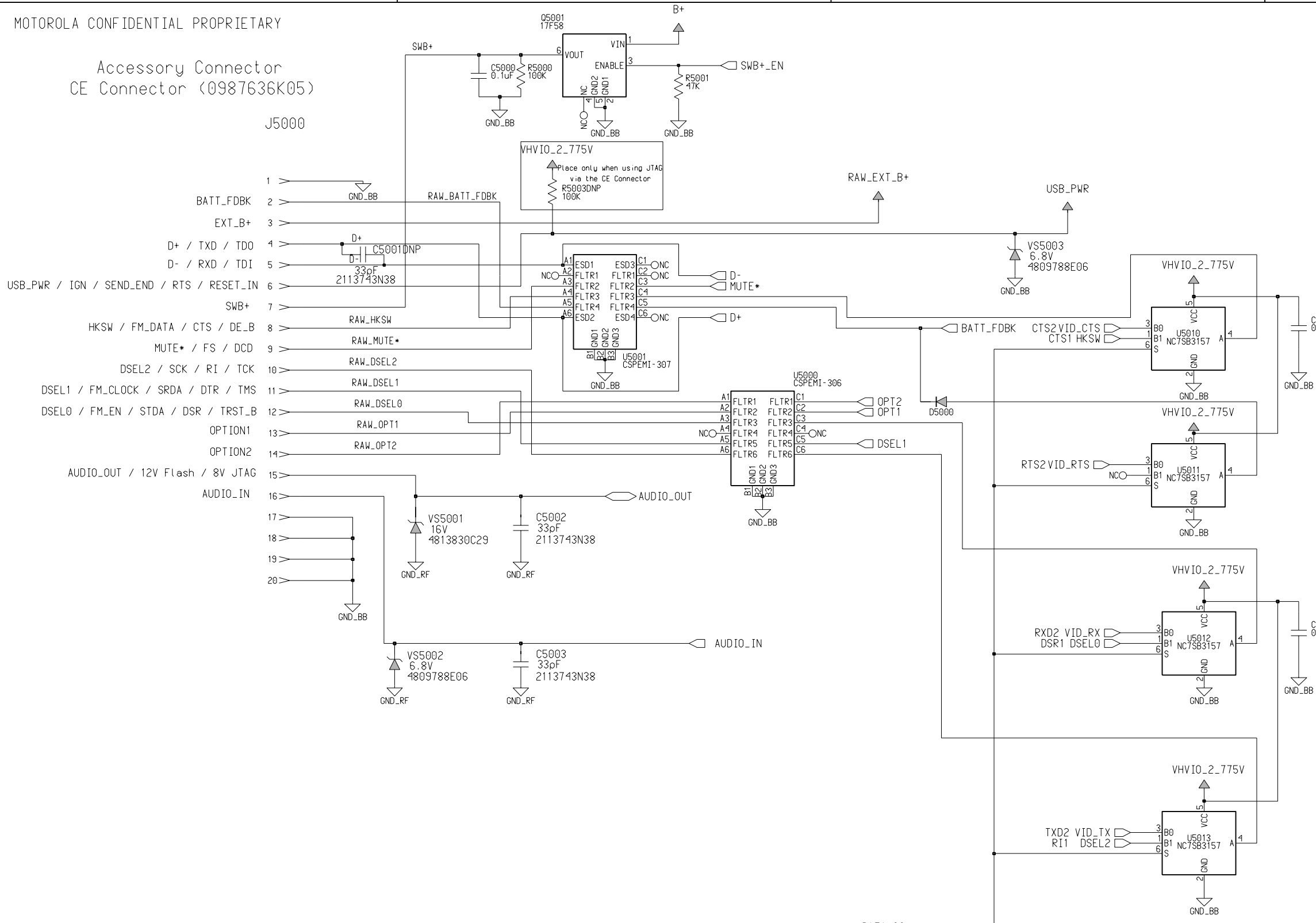
Engineer:	Ed Naddeo		
Drawn by:	Ed Naddeo		
R&D CHK:	TITLE: Talon	Size: B	
DOC CTRL CHK:	WCSP		
MFG CTRL CHK:			
QA CHK:	REV: 1.1	Drawing Number: 8487939L01	Page: 1 OF 1
Changed by:	Date: Tuesday, February 13, 2001	Time: 2:00 PM	

1.1	Removed C7005, C7006	Naddeo
-----	----------------------	--------

MOTOROLA CONFIDENTIAL PROPRIETARY


Accessory Connector
CE Connector (0987636K05)

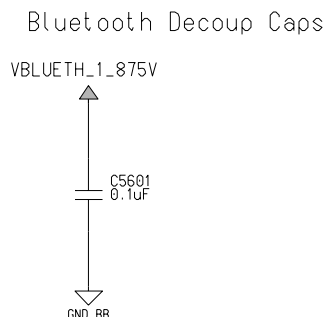
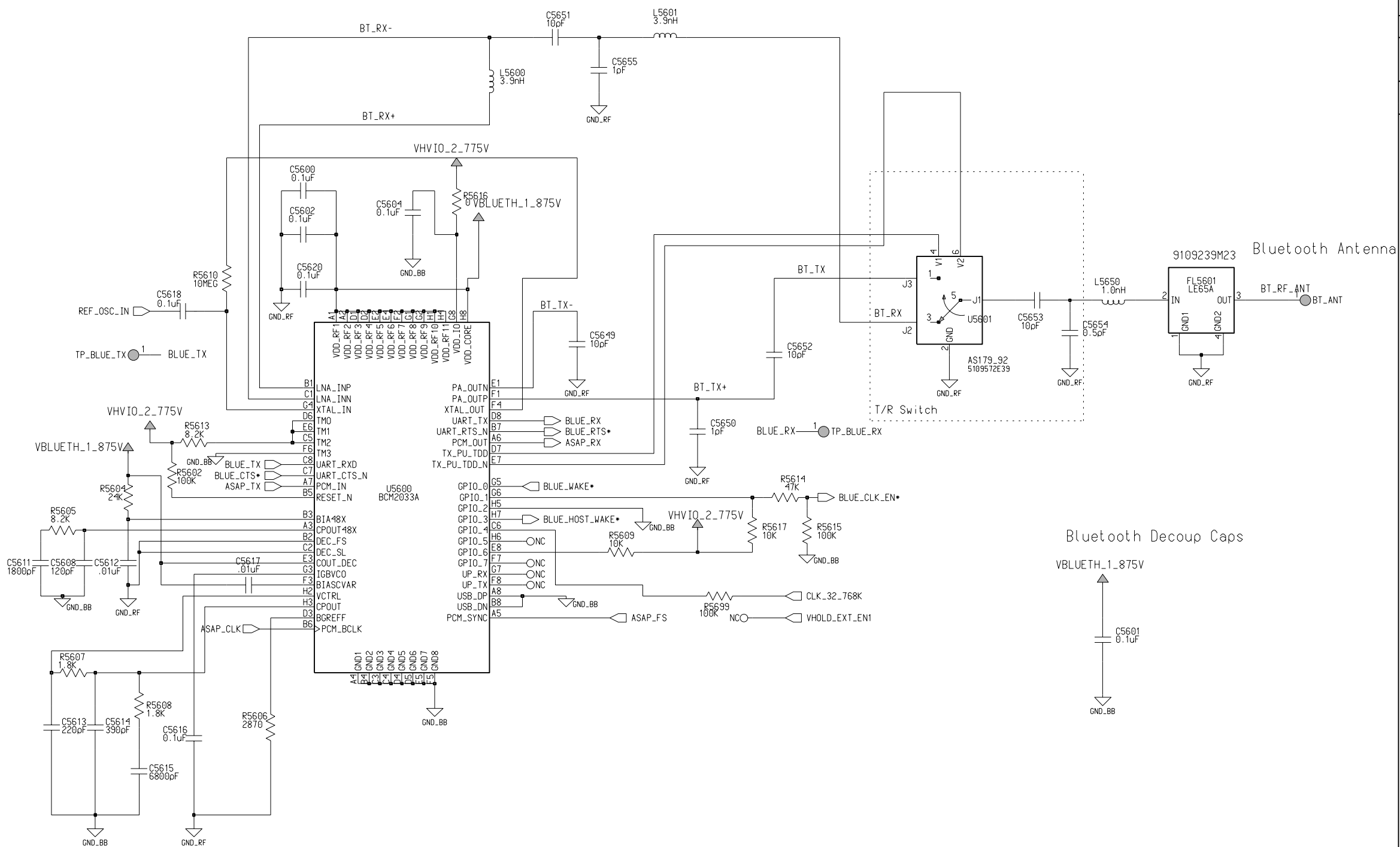
J5000



B0 - Normally Closed
B1 - Normally Open
S - Select
A - Common

Engineer: Jennifer Seymour	MOTOROLA INC.		
Drawn by:			
R&D CHK:	TITLE: TALON	Size:	
DOC CTRL CHK:	CE Accessory Connector		
MFG CTRL CHK:	REV:	Drawing Number:	Page:
QA CHK:	Date: 4/24/01		OF:
Changed by: Todd J. Roesler	Time:		
0.2	Moved CE Module Bus to daughterboard connector	4/24/01	
Todd J. Roesler	Updated signal names and added DNP pullup to RESET_IN for JTAG mode.	8/15/01	
Todd J. Roesler	Changed Analog switches to Fairchild	12/19/01	

Engineer: Dave Stubbs	 MOTOROLA INC.		
Drawn by:	TITLE: Talon Bluetooth		Size:
R&D CHK:	REV: Drawing Number: Page: OF:		
DOC CTRL CHK:	Date: April 16, 2001		Time:
MFG CTRL CHK:			
QA CHK:			
Changed by: Bokchain Koh			

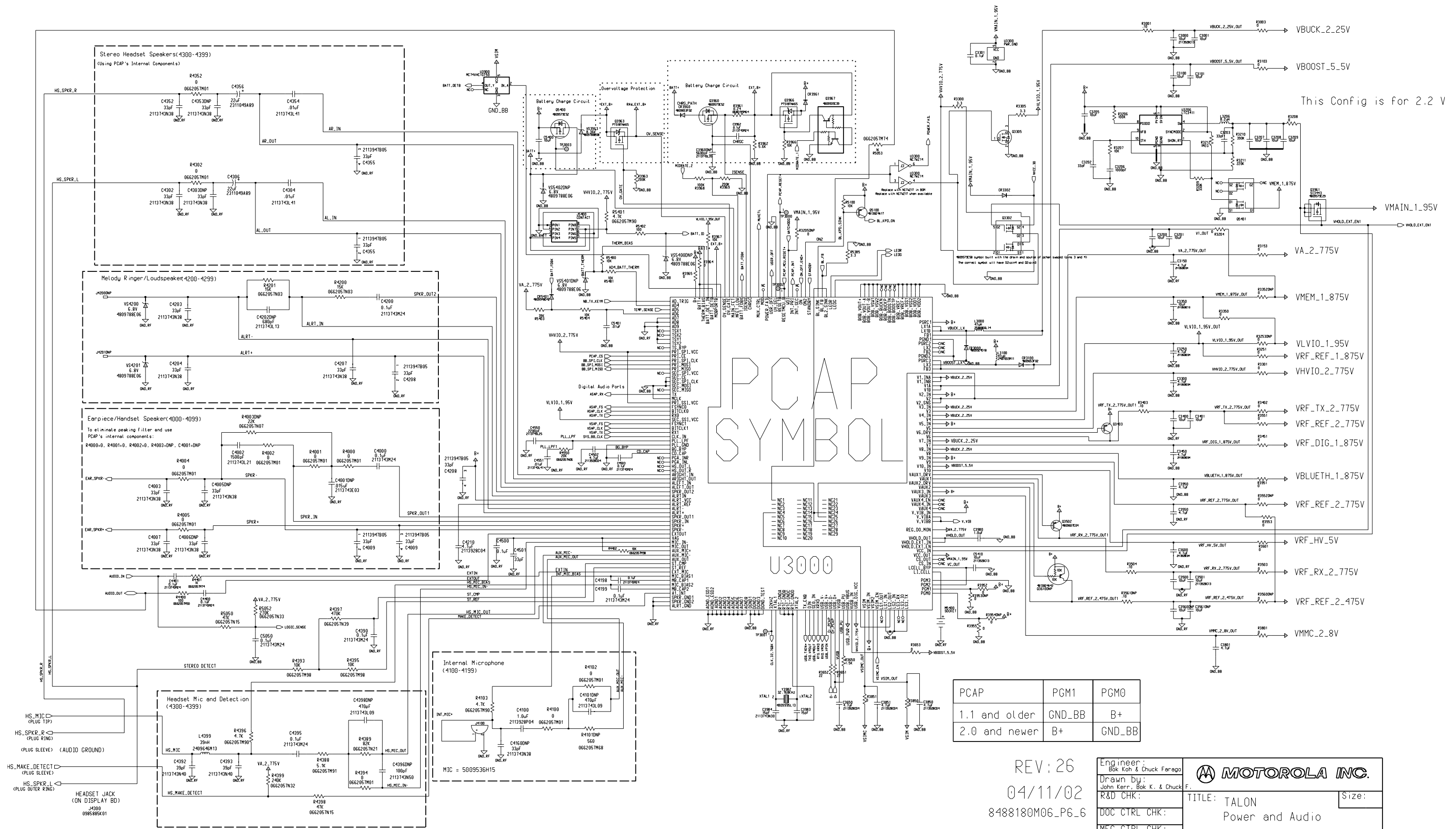


A

B

C

D



This Config is for 2.2 V

PCAP	PGM1	PGM0
1.1 and older	GND_BB	B+
2.0 and newer	B+	GND_BB

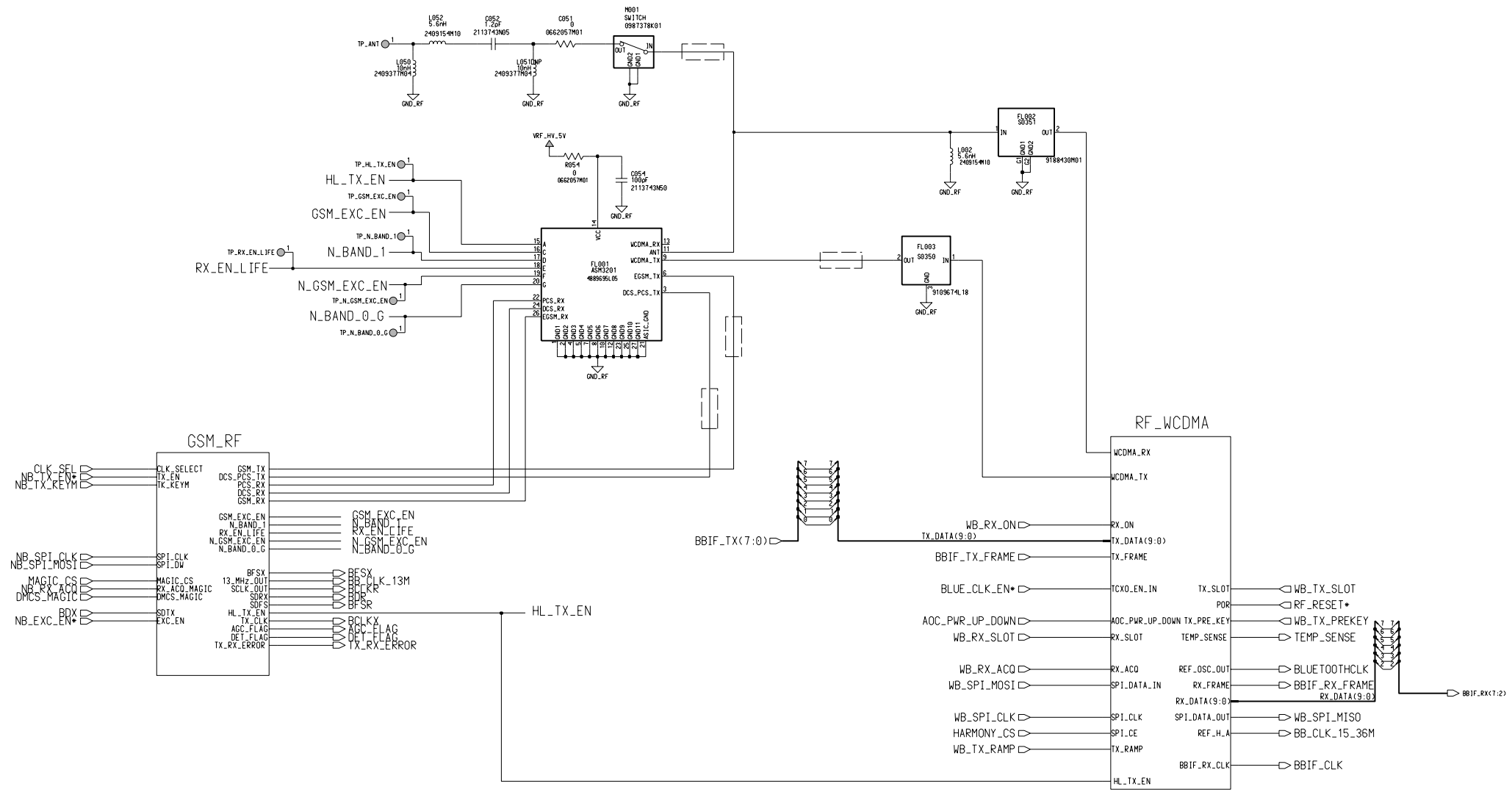
REV: 26

04/11/02

8488180M06_P6_6

Plot Scale = 0.8

Engineer: Bok Koh & Chuck Farago	MOTOROLA INC.		Size:
Drawn by: John Kerr, Bok K. & Chuck F.			TITLE: TALON Power and Audio
R&D CHK:	REV:	Drawing Number:	Page:
DOC CTRL CHK:	QA CHK:	Changed by:	Date:
MFG CTRL CHK:	Time:	8:04:00 pm	



Engineer Dave Suarez	MOTOROLA INC. 600 N US HWY 45 Libertyville, IL		
Drawn by Dave Suarez			
R&D CHK	TITLE	Size	D
DOC CTRL CHK	RF_TOP		
MFG CTRL CHK			
QA CHK	REV P6	Drawing Number 8488180M06	Sheet of

Changed by Dave Suarez Date Changed April 18, 2002 Time 3:59:05 pm

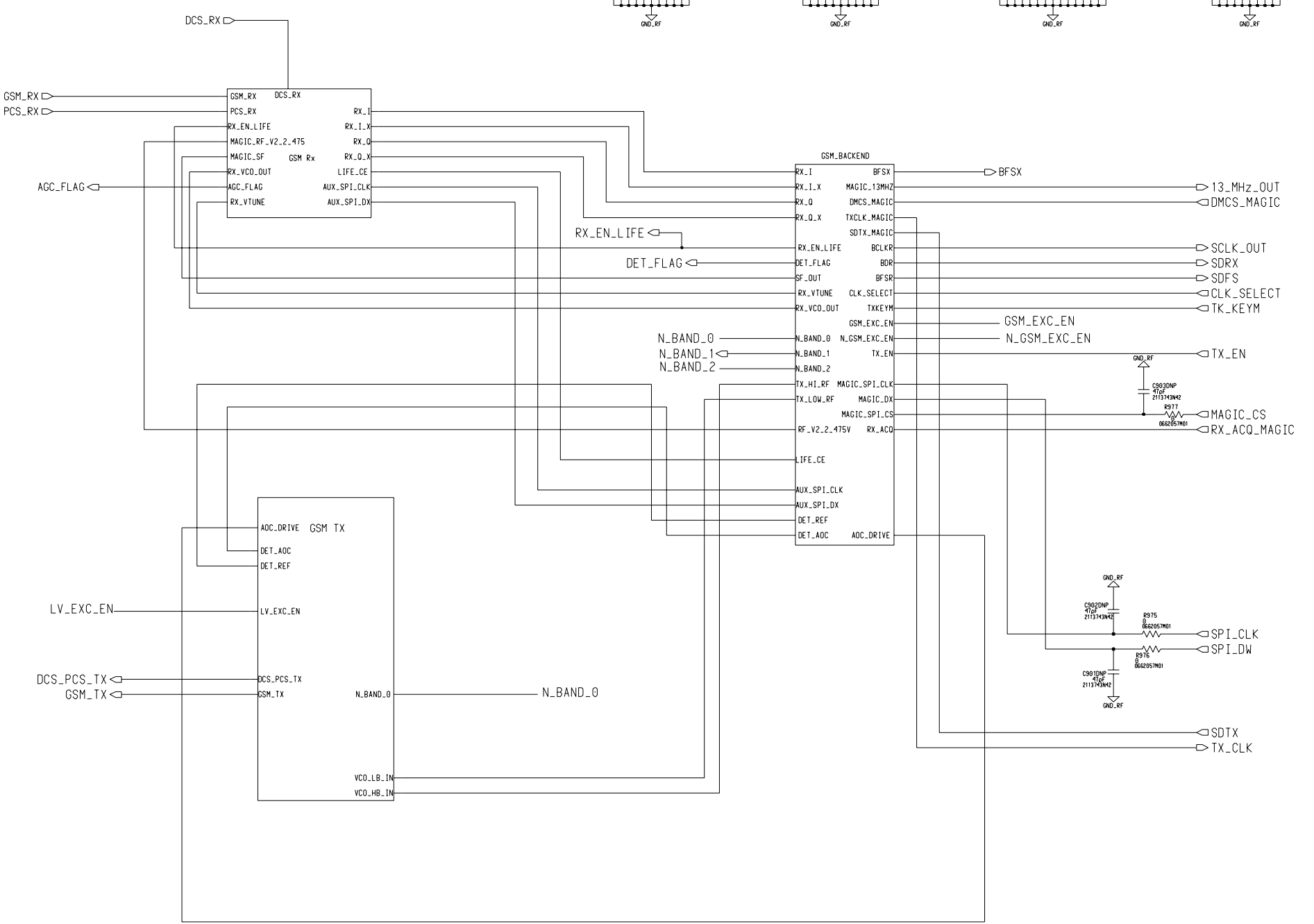
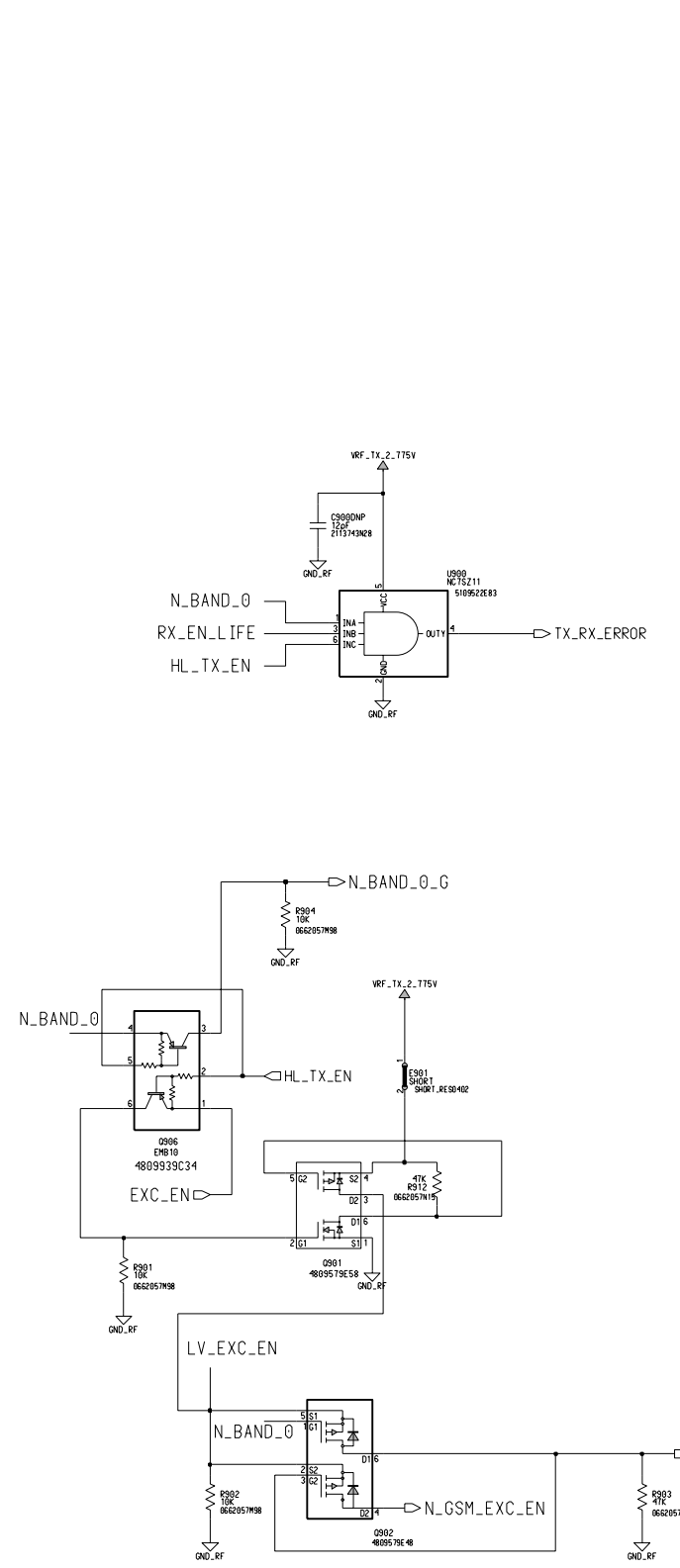
1 2 3 4 5 6 7 8

1 2 3 4 5 6 7 8

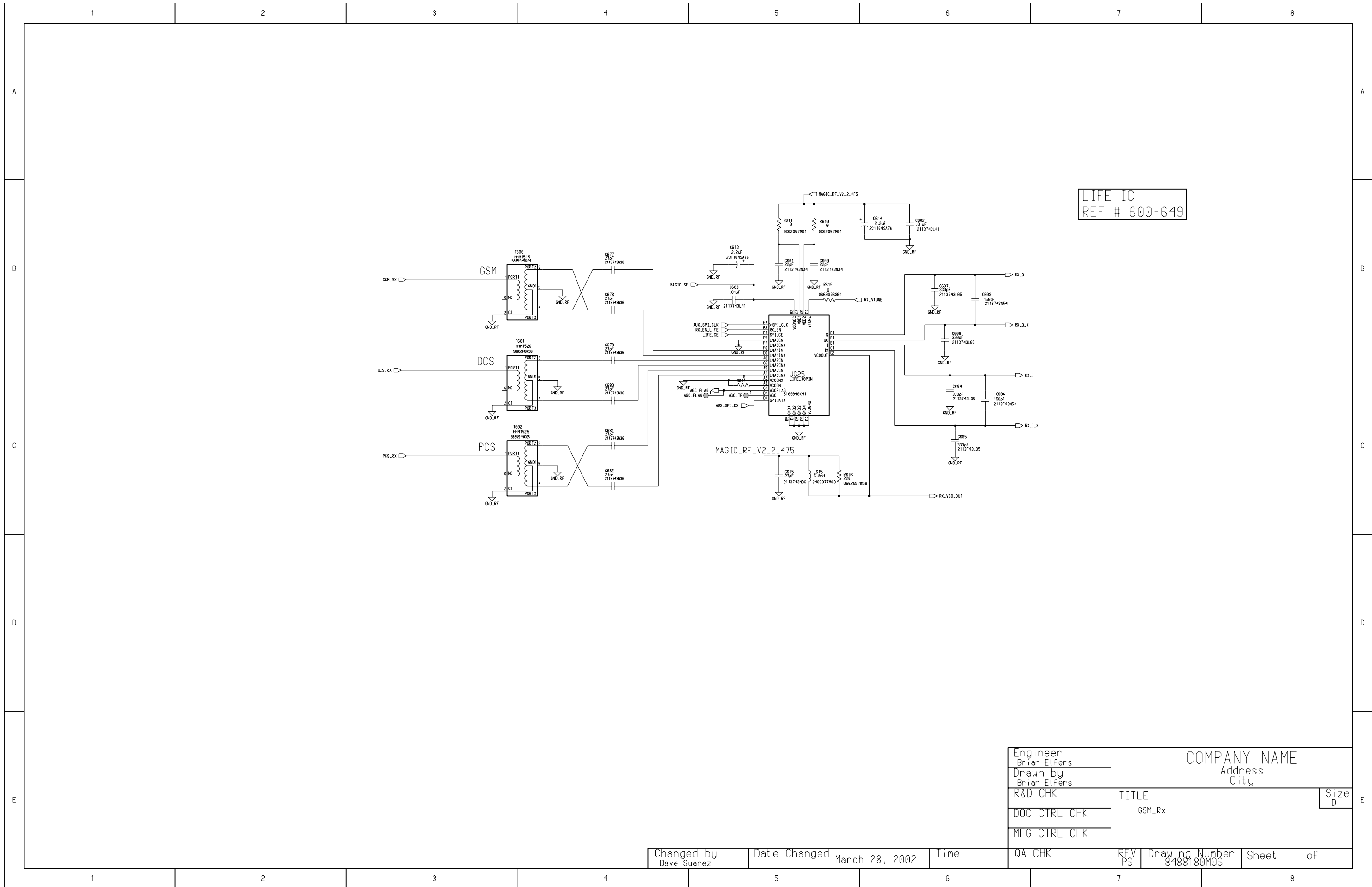
A
B
C
D
E

A
I
B
C
D
E

Band Select Circuits REF # 900-925



Engineer Dave Suarez	COMPANY NAME		Size D
Drawn by Dave Suarez	Address City		
R&D CHK	TITLE	REV	
DOC CTRL CHK	GSM.TOP	8488180M06	Sheet of
MFG CTRL CHK	QA CHK	REV PG	Drawing Number
Changed by Dave Suarez	Date Changed April 18, 2002	Time	Sheet of

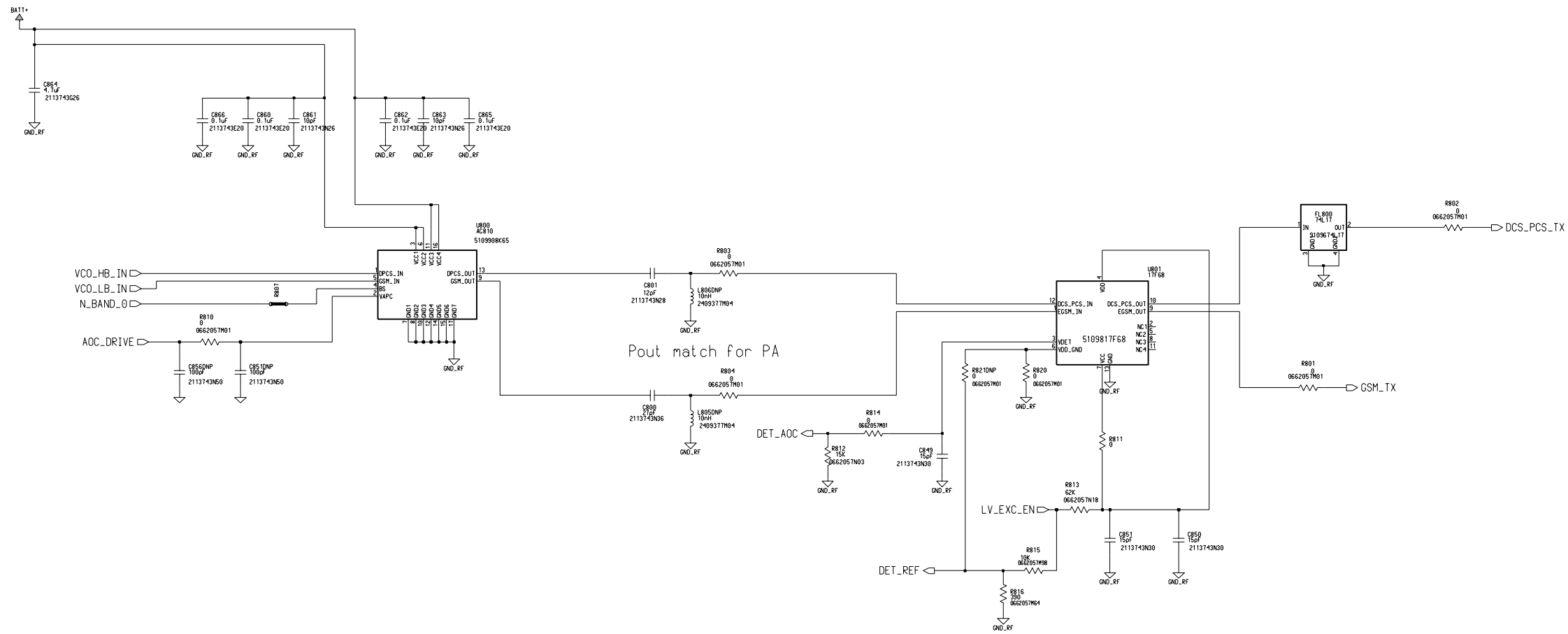


LIFE IC
REF # 600-649

Engineer Brian Elfers	COMPANY NAME		Size D
Drawn by Brian Elfers	Address City		
R&D CHK	TITLE GSM_Rx		
DOC CTRL CHK			
MFG CTRL CHK			
QA CHK	REV P6	Drawing Number 8488180M06	Sheet of

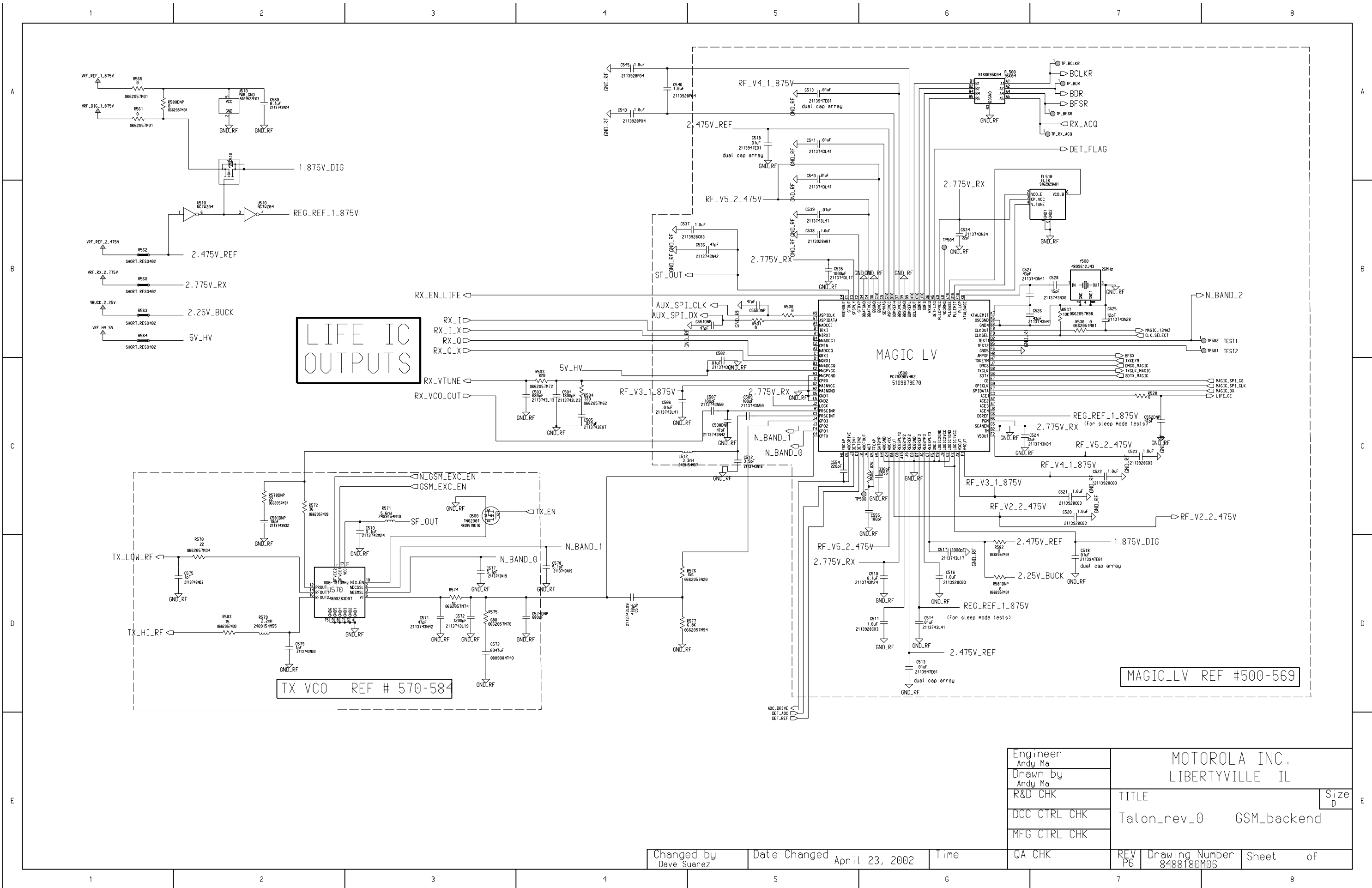
Changed by Dave Suarez Date Changed March 28, 2002 Time

GSM Transmitter



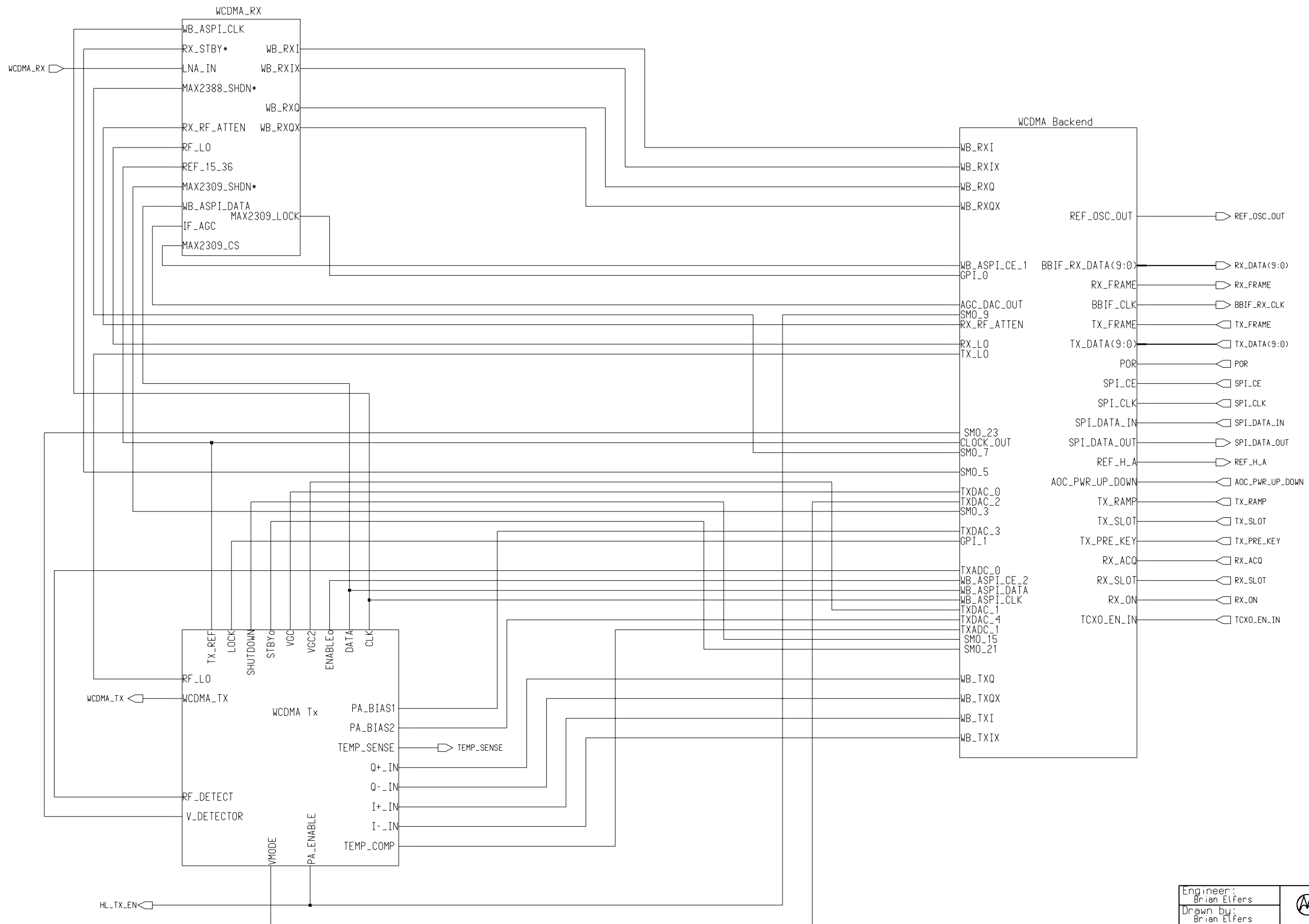
Engineer Paul Manente	COMPANY NAME Address City		
Drawn by Paul Manente			
R&D CHK	TITLE GSM_TX-D	Size D	
DOC CTRL CHK	GSM_Transmitter		
MFG CTRL CHK			
QA CHK	REV P5A	Drawing Number 8488180M05	Sheet of

Changed by Dave Suarez Date Changed March 7, 2002 Time

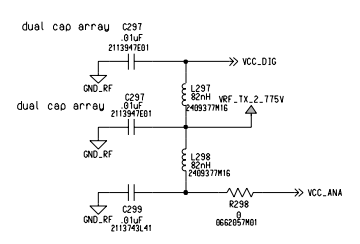


Engineer Andy Ma	MOTOROLA INC. LIBERTYVILLE IL		
Drawn by Andy Ma	TITLE		
R&D CHK	Talon_rev_0	GSM_backend	Size D
DOC CTRL CHK	REV P6 Drawing Number 8488180M06 Sheet of		
MFG CTRL CHK	QA CHK		

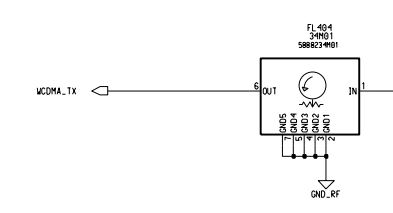
Changed by Dave Suarez Date Changed April 23, 2002 Time



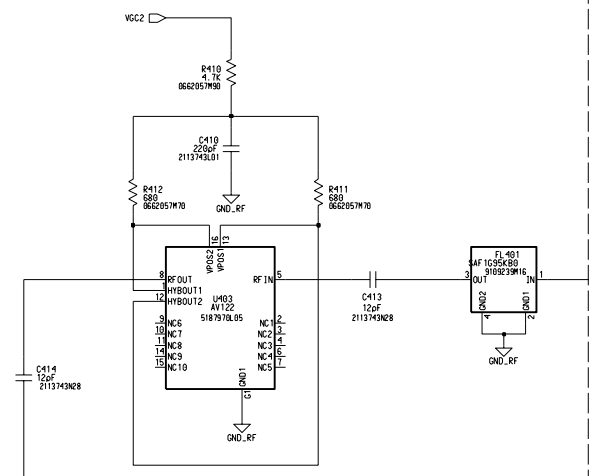
Engineer: Brian Elfers			
Drawn by: Brian Elfers			
R&D CHK:	TITLE: Talon_rev_0	Size: 11x17	
DOC CTRL CHK:	Part Size Study		
MFG CTRL CHK:	REV:	Drawing Number:	Page:
QA CHK:			OF:
Changed by: Dave Suarez	Date: Friday, April 20, 2001	Time: 4:07:28 pm	



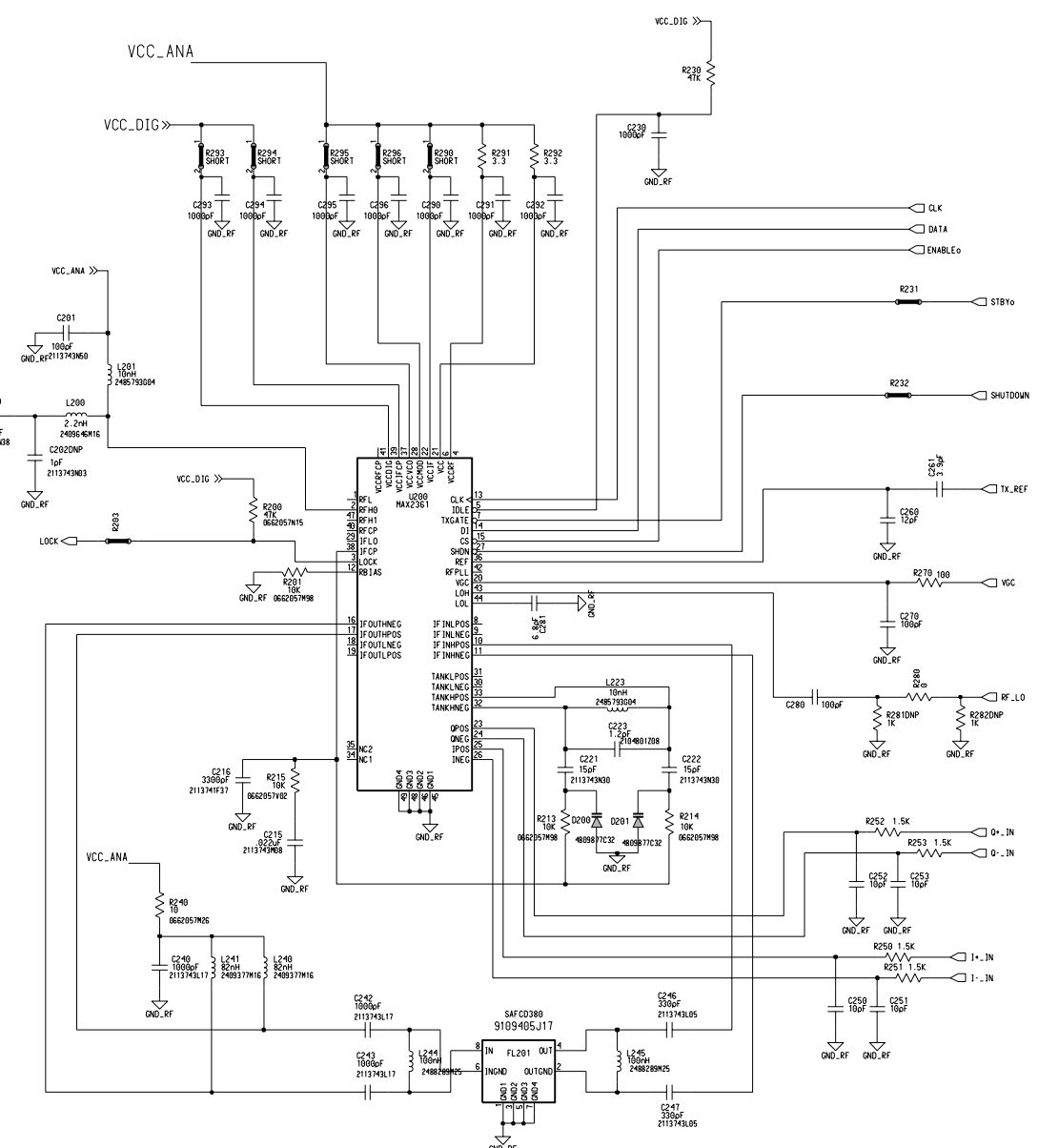
WCDMA Transmitter (TALON)



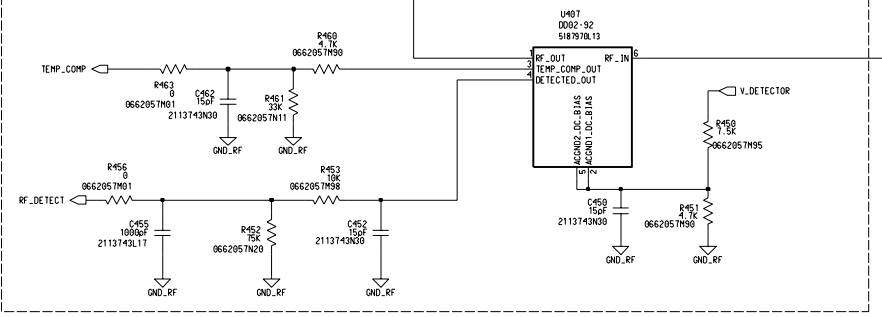
Attenuator and interstage filter 410 - 414



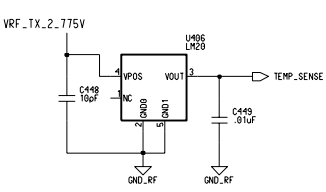
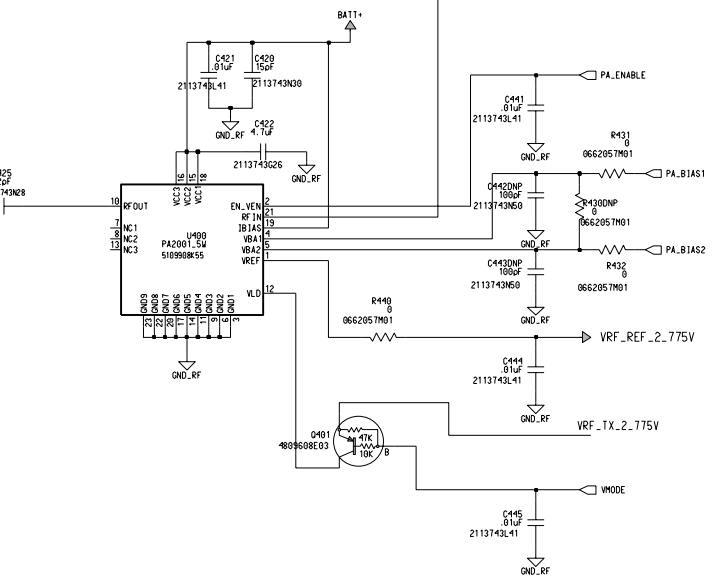
Quadrature modulator and upmixer 200-299



Power Detector 450 - 463



Power Amplifier 420 - 449



Engineer John Mura	COMPANY NAME Address City		
Drawn by John Mura	TITLE WCDMA_Tx	Size D	
R&D CHK			
DOC CTRL CHK			
MFG CTRL CHK			
QA CHK	REV Pg	Drawing Number 8488180M06	Sheet 1 of 1

Changed by Dave Suarez Date Changed April 15, 2002 Time 4:39:58 pm

