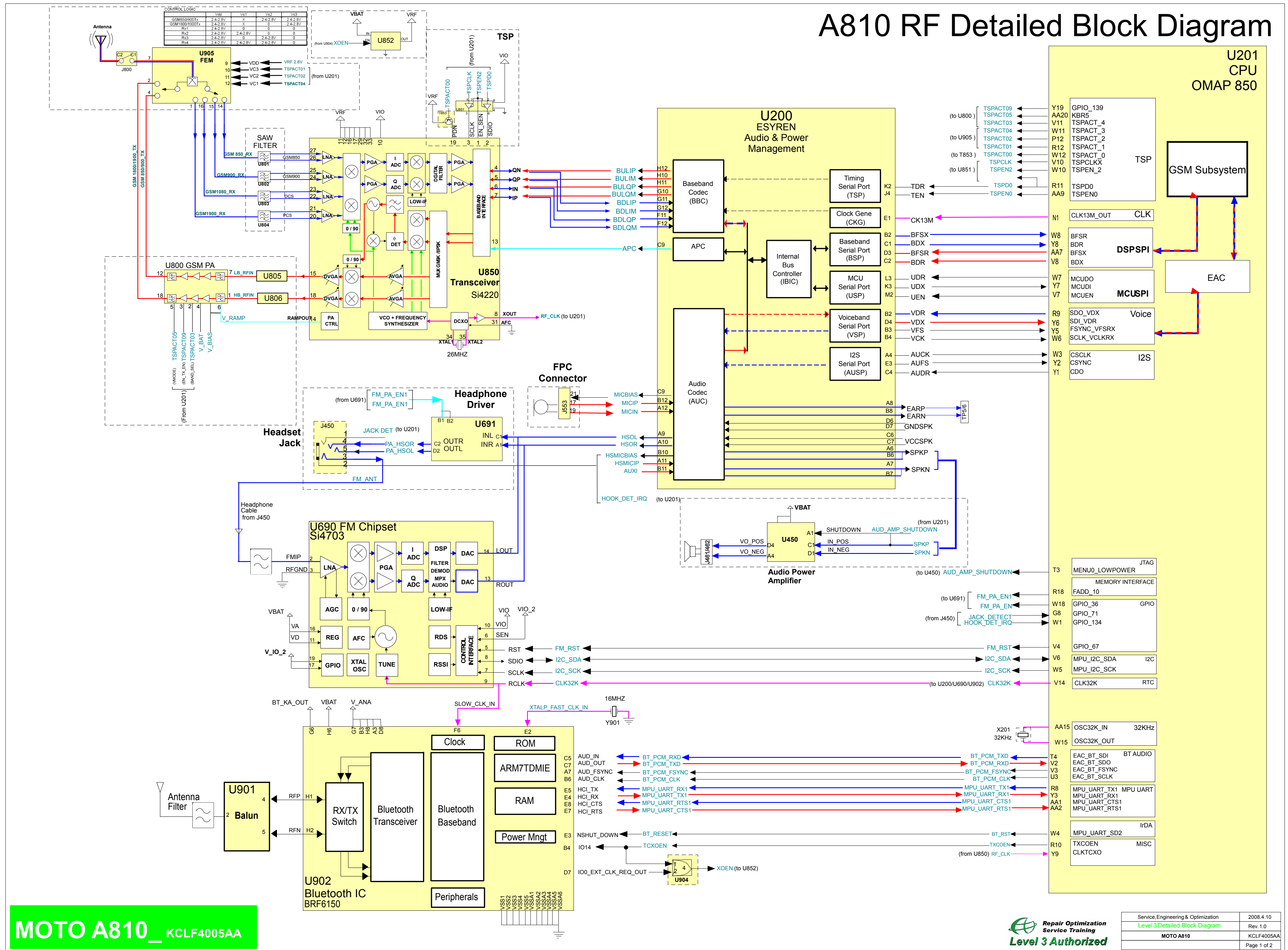


A810 RF Detailed Block Diagram



MOTO A810_KCLF4005AA

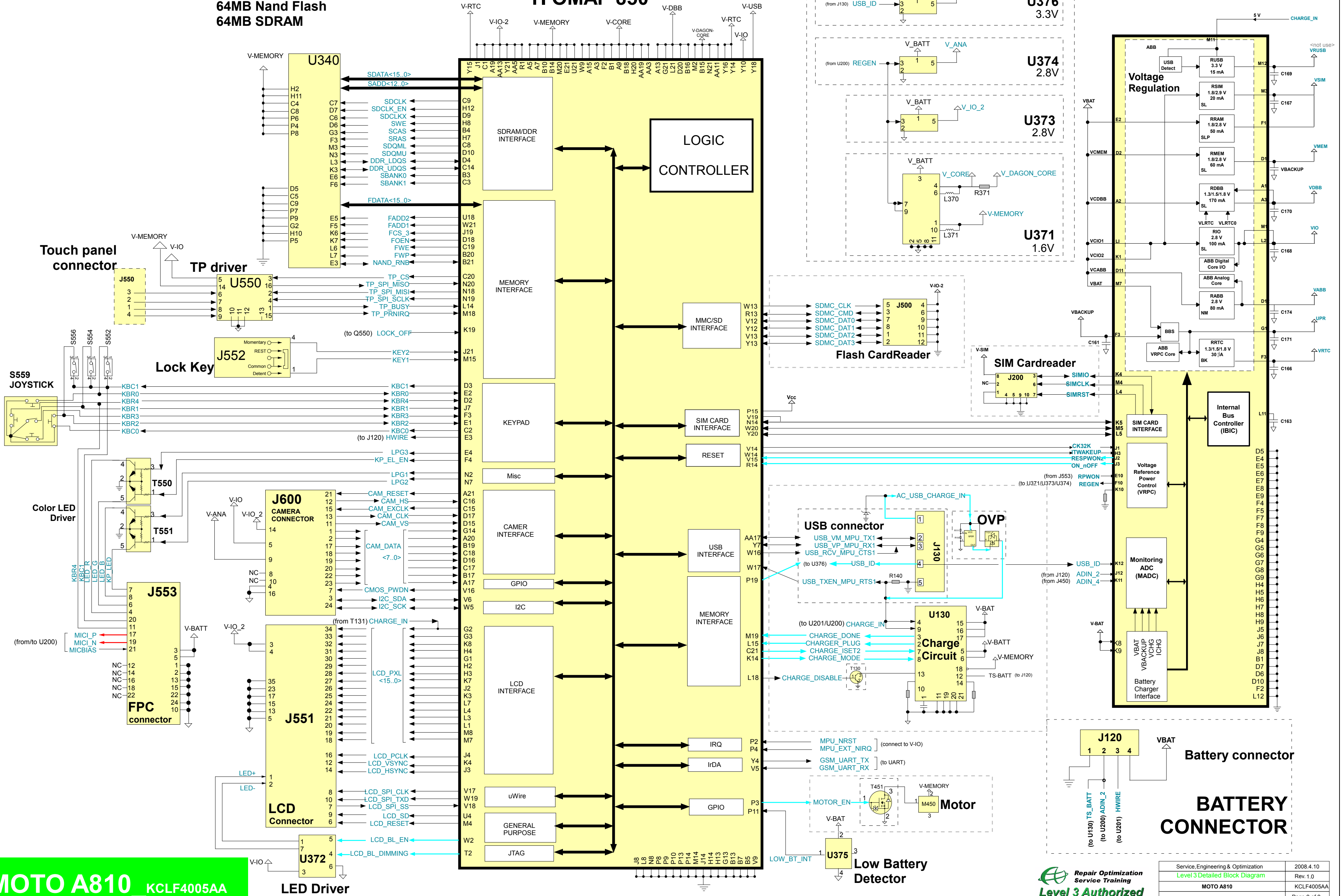
Repair Optimization Service Training
Level 3 Authorized

Service, Engineering & Optimization	2008.4.10
Level 3 Detailed Block Diagram	Rev. 1.0
MOTO A810	KCLF4005AA
	Page 1 of 2

A810 BB DETAILED BLOCK DIAGRAM

U201_CPU 200MHz TI OMAP 850

Memory
64MB Nand Flash
64MB SDRAM



MOTO A810_KCLF4005AA