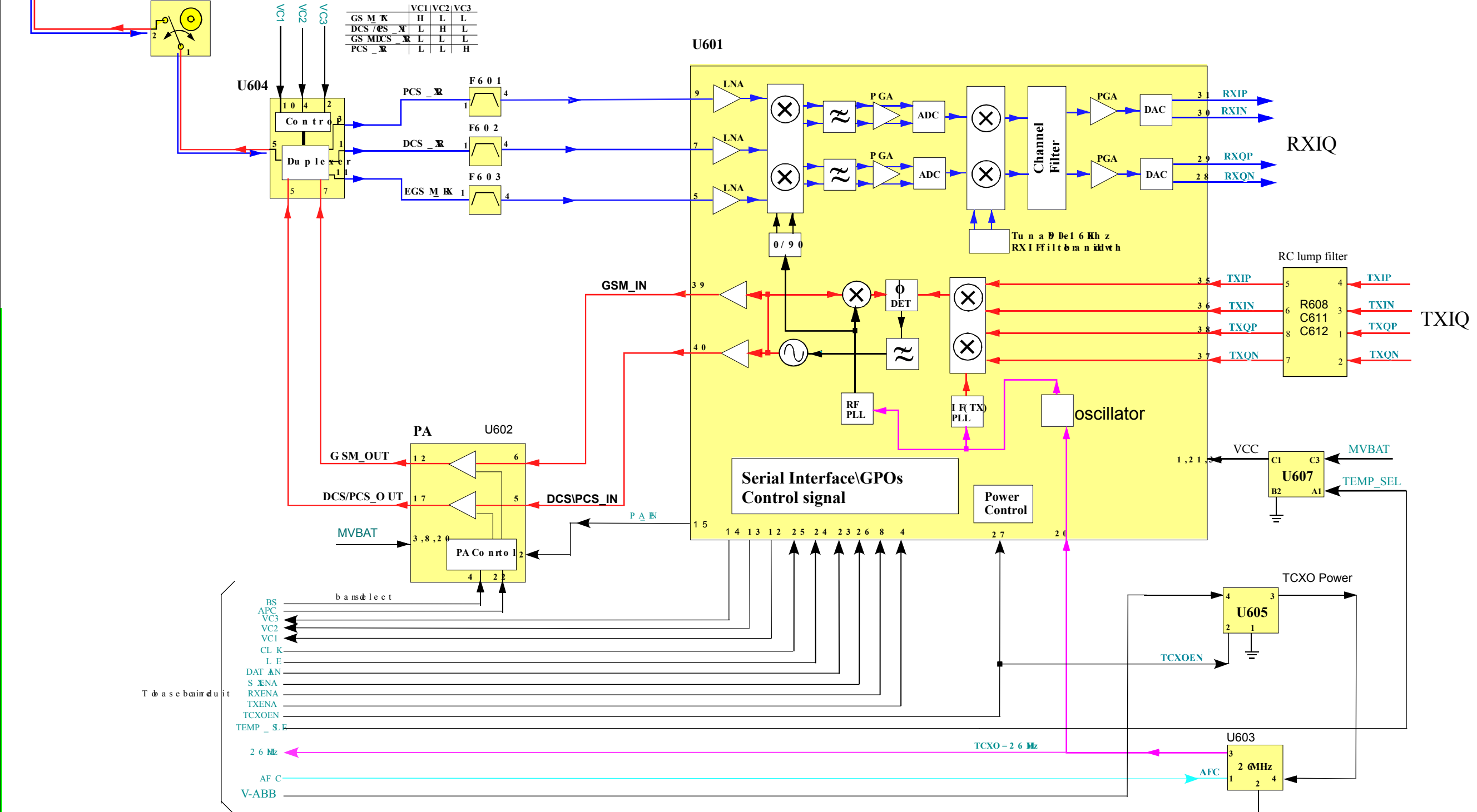


Antenna TP601

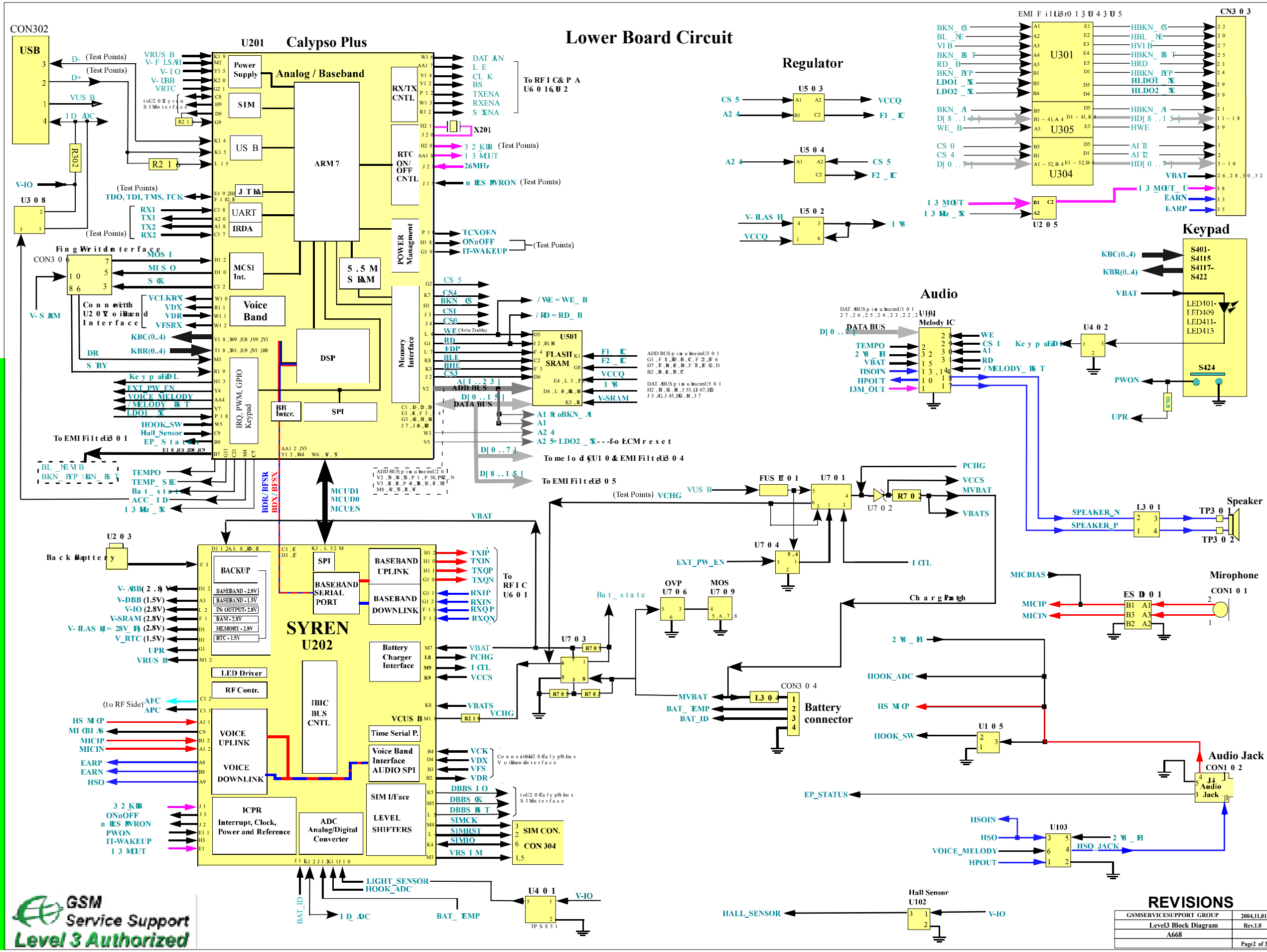
Lower Board Circuit



A668

REVISIONS	
GSM SERVICE SUPPORT GROUP	2004.11.01
Level 3 Block Diagram	Rev.1.0
A6 6 8	
	Page 1 of 3

Lower Board Circuit

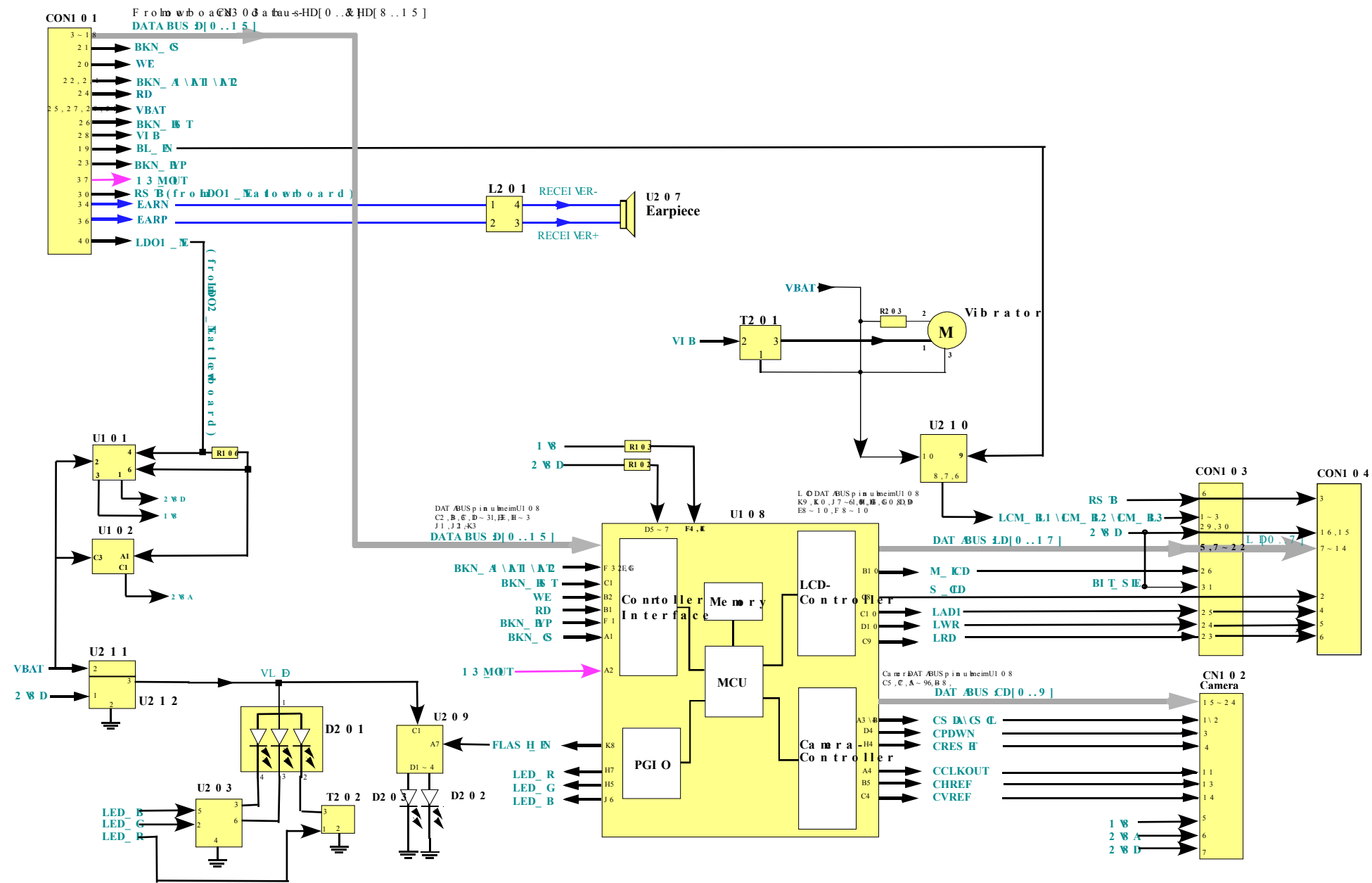


A668

GSM Service Support
Level 3 Authorized

REVISIONS	
GSM SERVICES SUPPORT GROUP	2004.11.01
Level3 Block Diagram	Rev.1.0
A668	
	Page 2 of 3

Upper Board Circuit



A668

REVISIONS	
GSM SERVICE SUPPORT GROUP	2004.11.01
Level 3 Block Diagram	Rev.1.0
A668	
	Page 3 of 3