

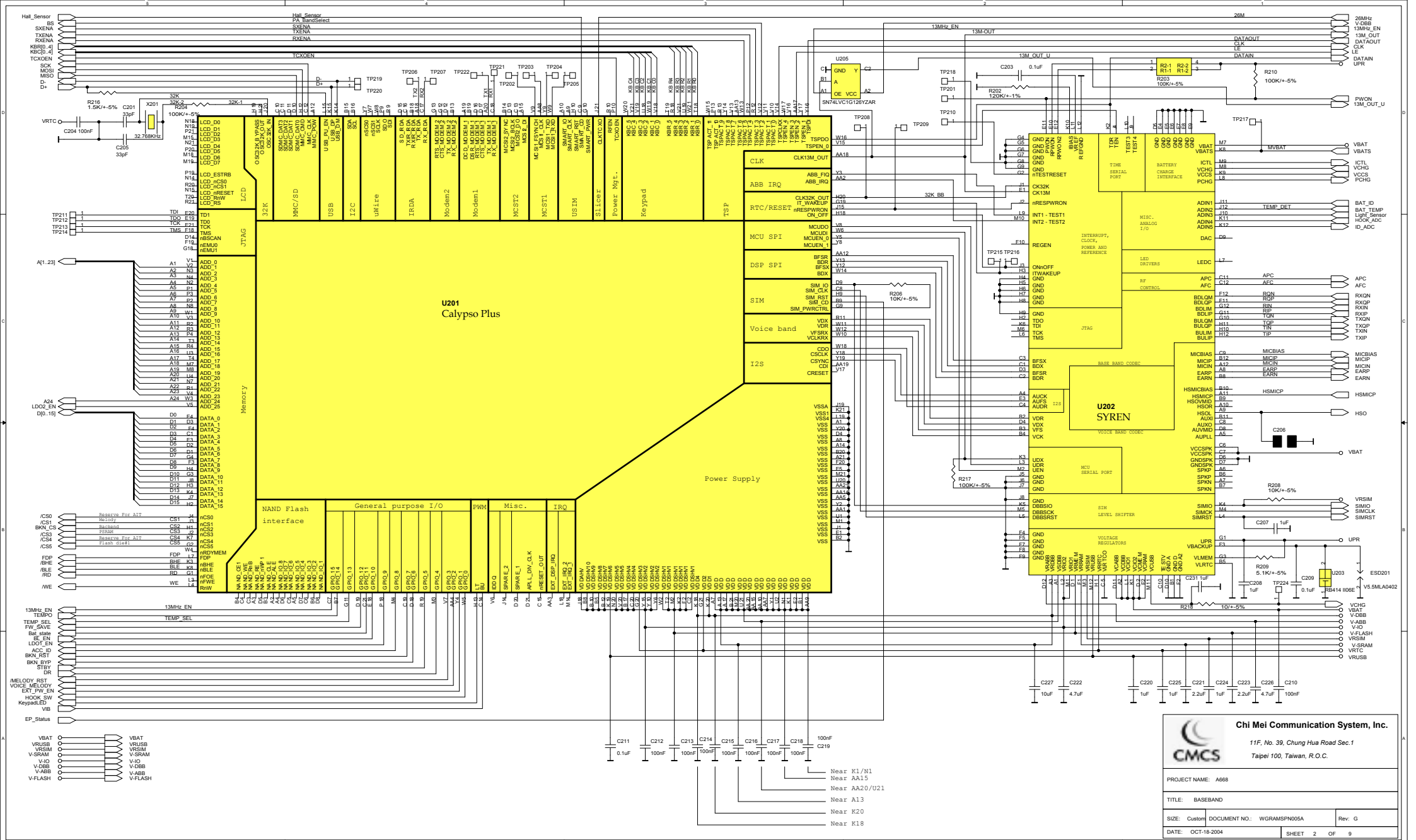


Chi Mei Communication System, Inc.
 11F, No. 39, Chung Hua Road Sec.1
 Taipei 100, Taiwan, R.O.C.

PROJECT NAME: A668

TITLE: AUDIO

SIZE: Custom	DOCUMENT NO.: WGRAMSPN005A	Rev: G
DATE: OCT-18-2004		SHEET 1 OF 9



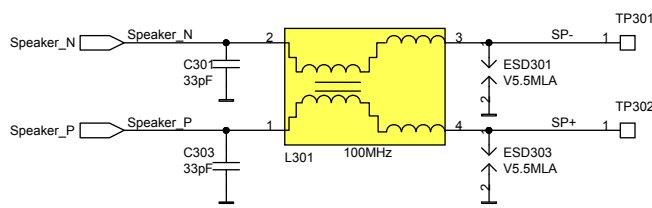
U201
Calypso Plus

U202
SYREN

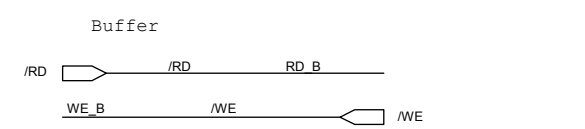
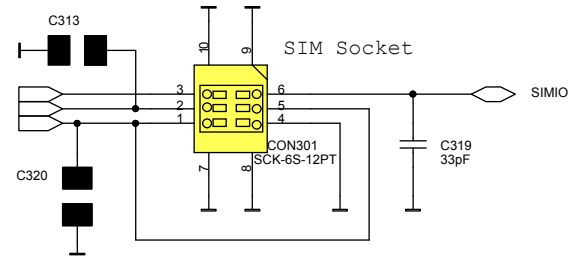
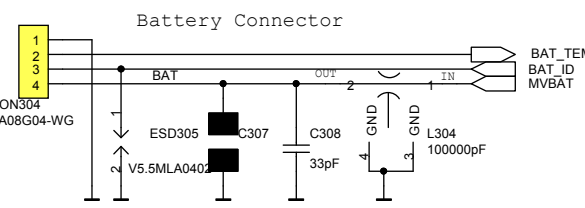
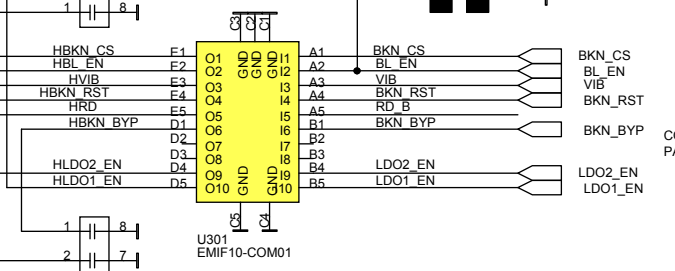
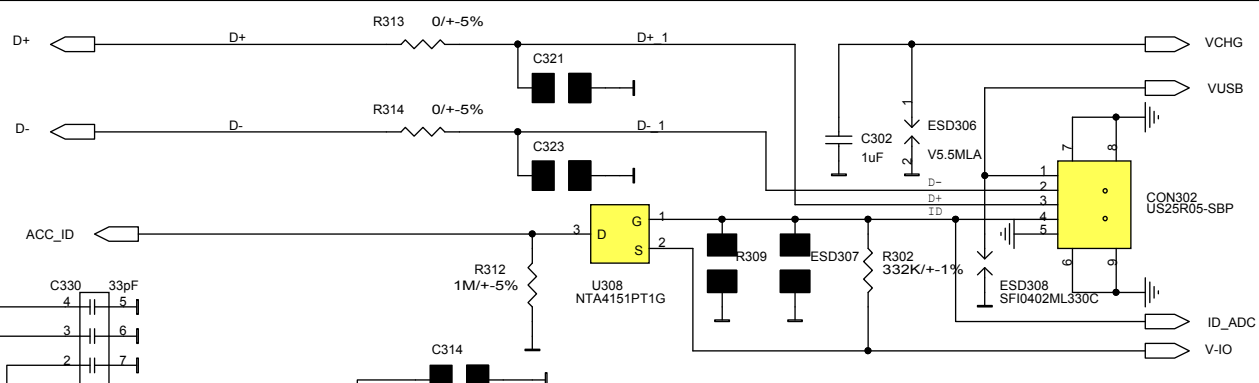
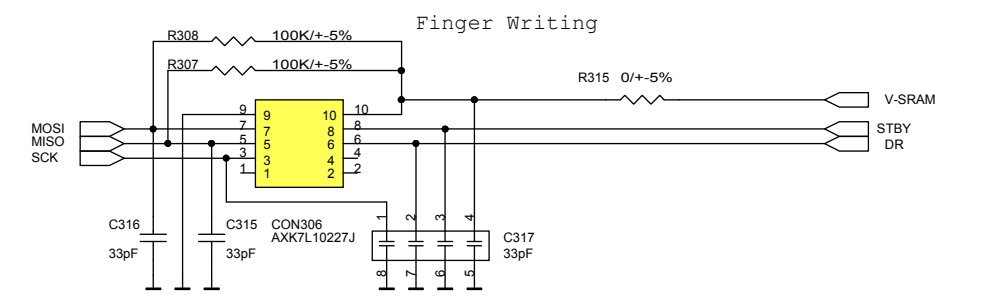
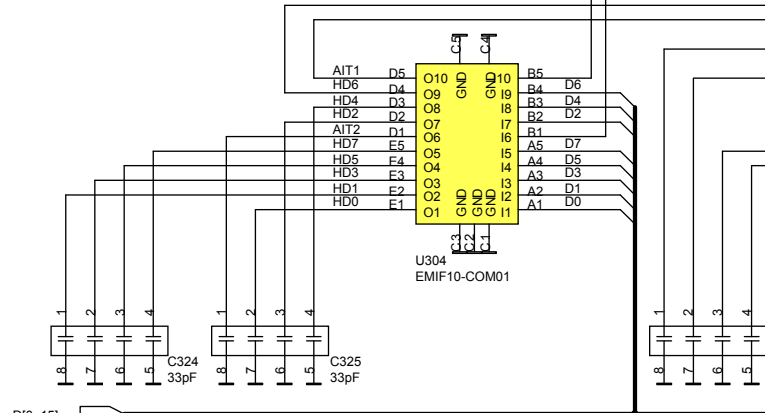
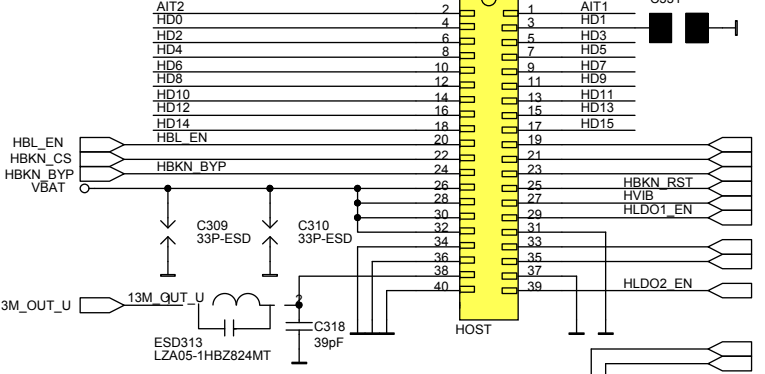
Power Supply


Chi Mei Communication System, Inc.
 11F, No. 39, Chung Hua Road Sec.1
 Taipei 100, Taiwan, R.O.C.

PROJECT NAME: A688
 TITLE: BASEBAND
 SIZE: Custom DOCUMENT NO.: WGRAMSPN005A Rev: G
 DATE: OCT-18-2004 SHEET 2 OF 9



Board to Board Connector





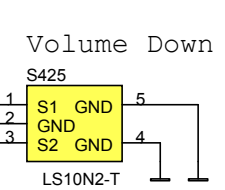
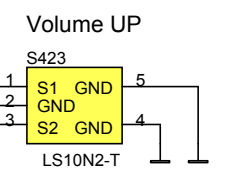
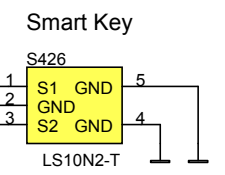
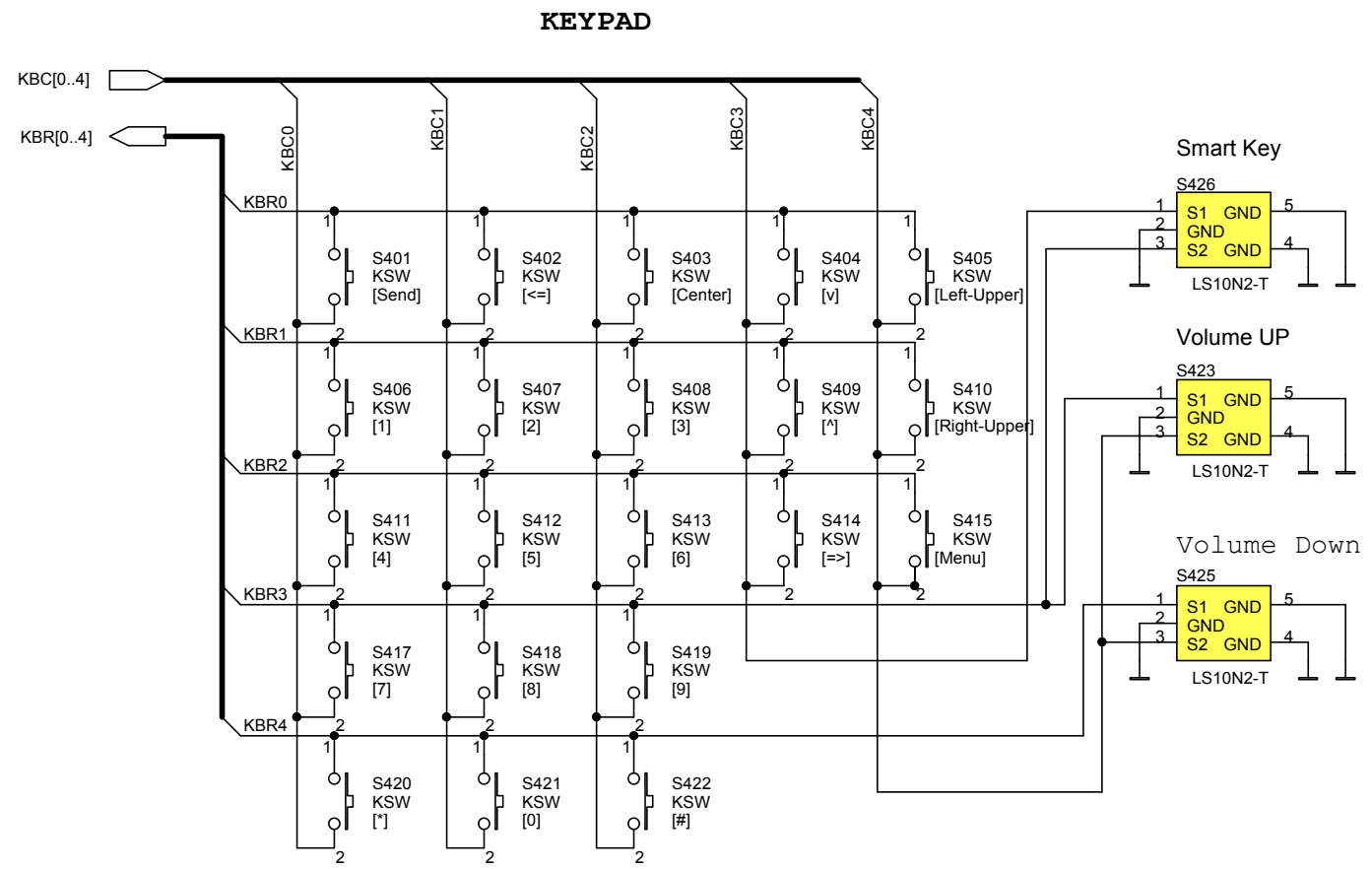
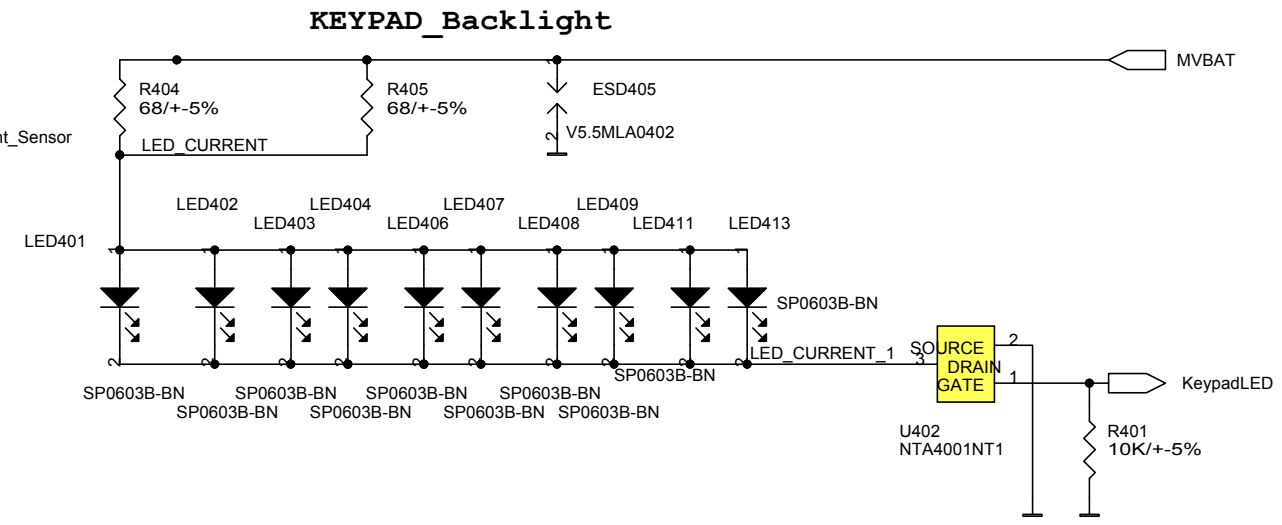
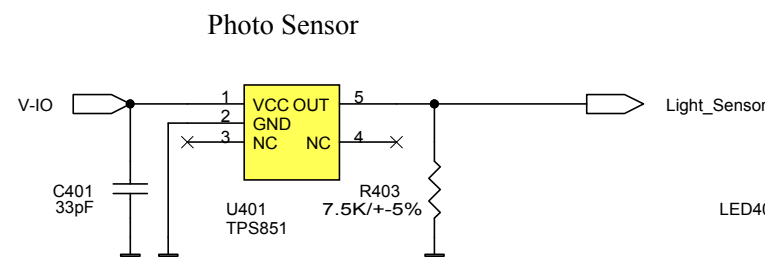
Chi Mei Communication System, Inc.
 11F, No. 39, Chung Hua Road Sec.1
 Taipei 100, Taiwan, R.O.C.

PROJECT NAME: A668

TITLE: IO

SIZE: Custom	DOCUMENT NO.: WGRAMSPN005A	Rev: G
--------------	----------------------------	--------

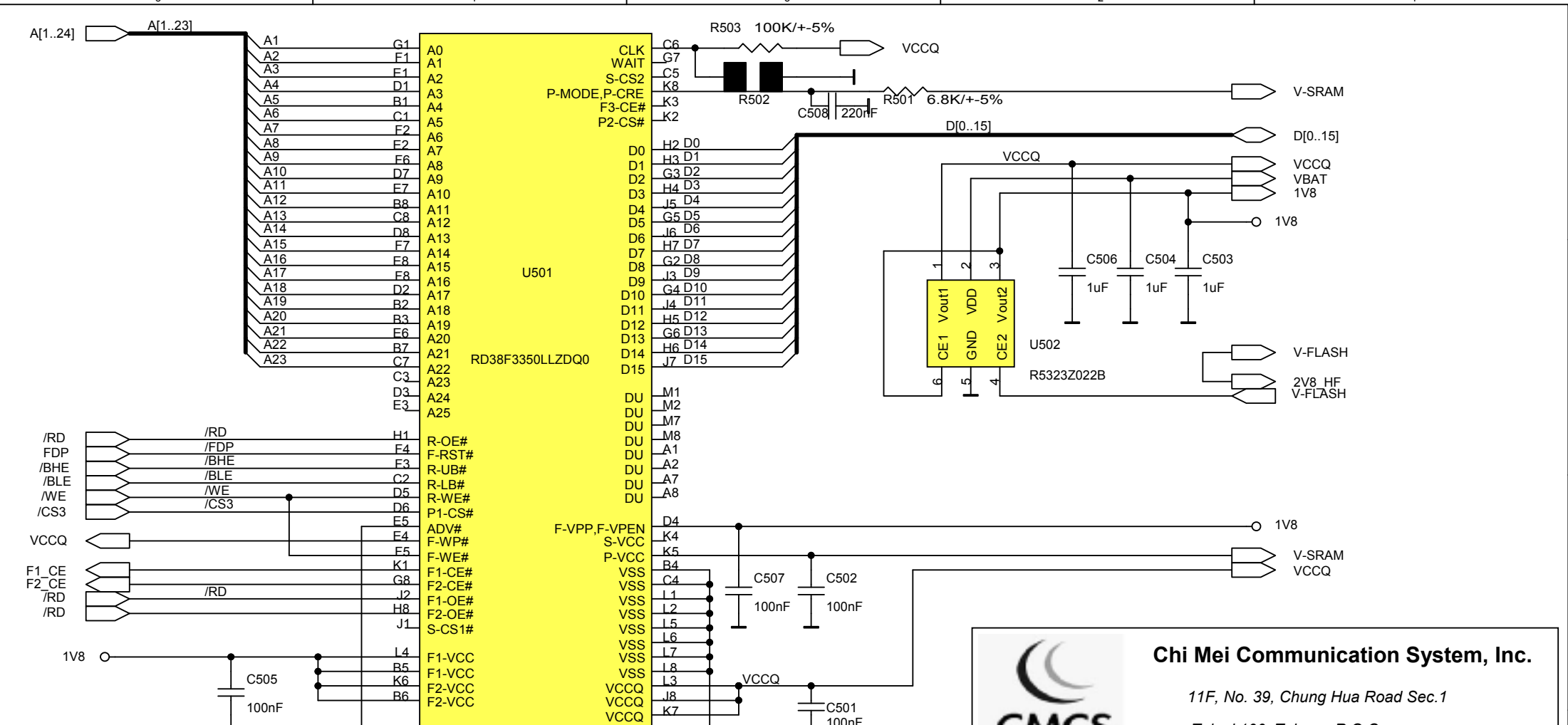
DATE: OCT-18-2004 SHEET 3 OF 9




Chi Mei Communication System, Inc.

11F, No. 39, Chung Hua Road Sec.1
Taipei 100, Taiwan, R.O.C.

PROJECT NAME: A668		
TITLE: KEYPAD		
SIZE: Custom	DOCUMENT NO.: WGRAMSPN005A	Rev: G
DATE: OCT-18-2004	SHEET 4	OF 9

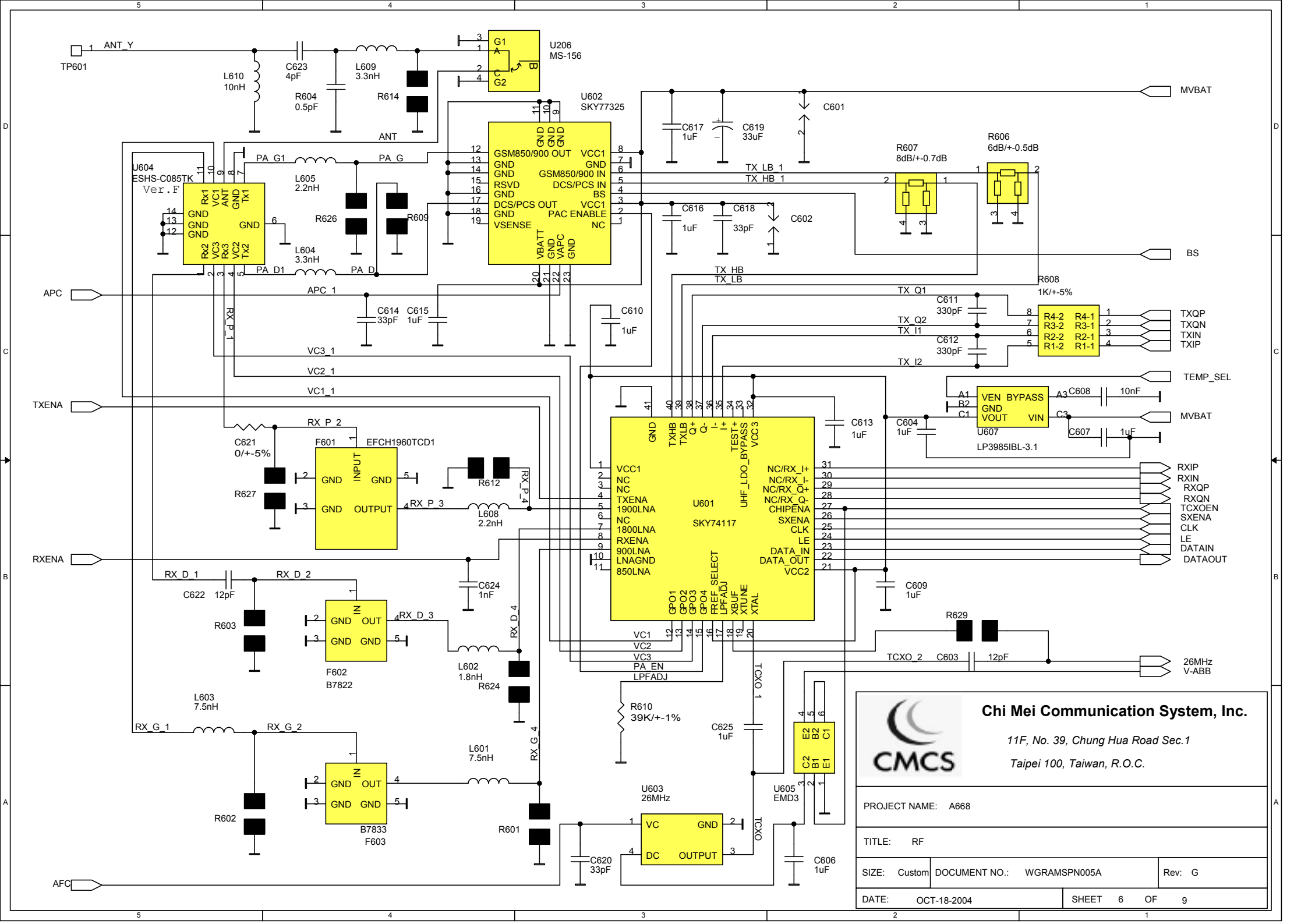



Chi Mei Communication System, Inc.

11F, No. 39, Chung Hua Road Sec.1
Taipei 100, Taiwan, R.O.C.



PROJECT NAME: A668		
TITLE: MEMORY		
SIZE: Custom	DOCUMENT NO.: WGRAMSPN005A	Rev: G
DATE: OCT-18-2004		SHEET 5 OF 9

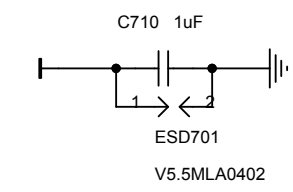
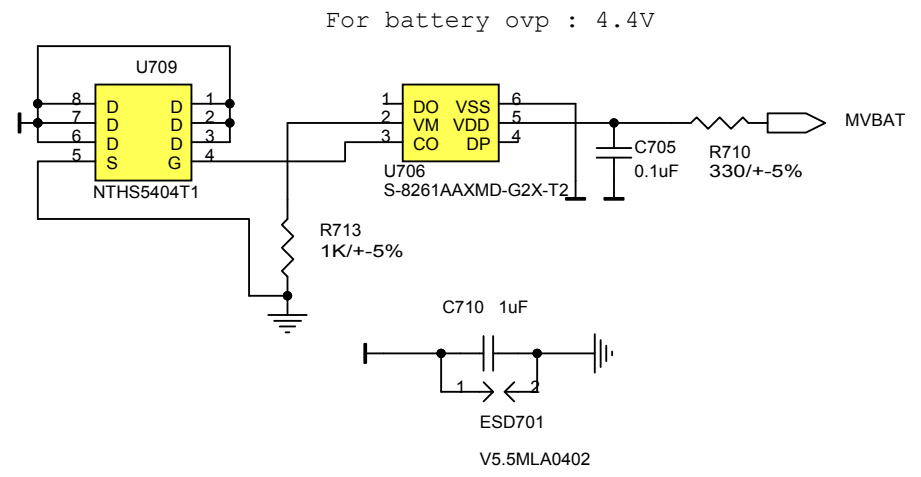
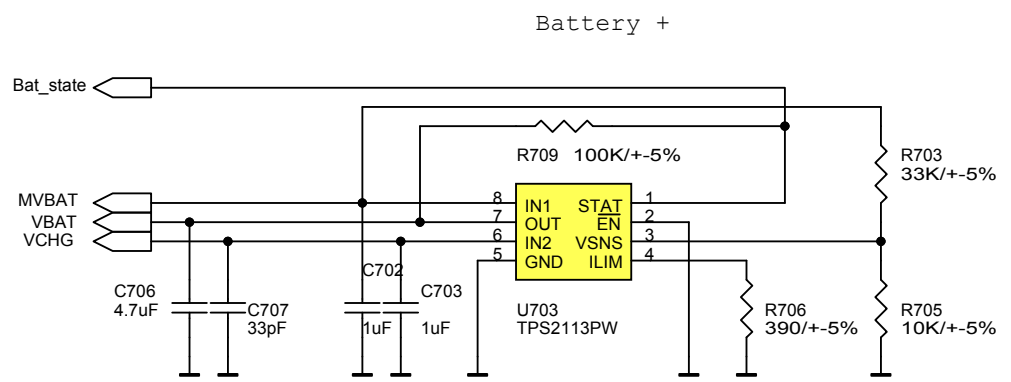
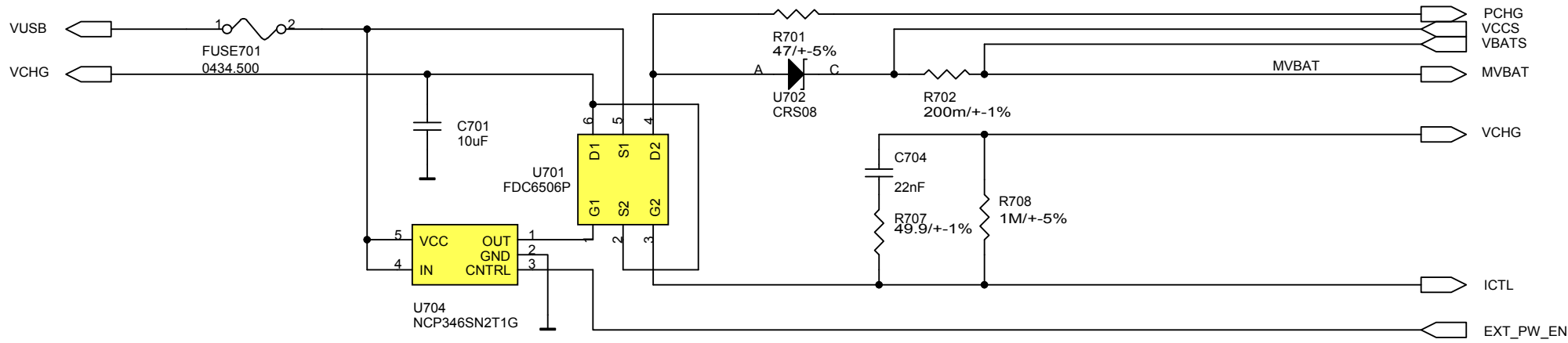





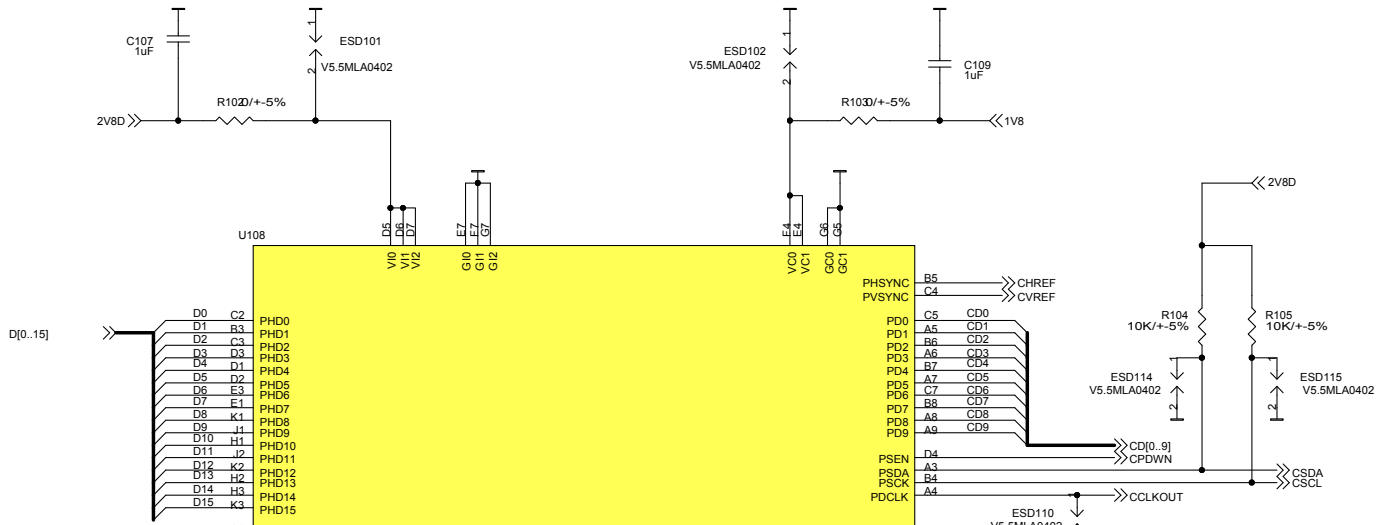
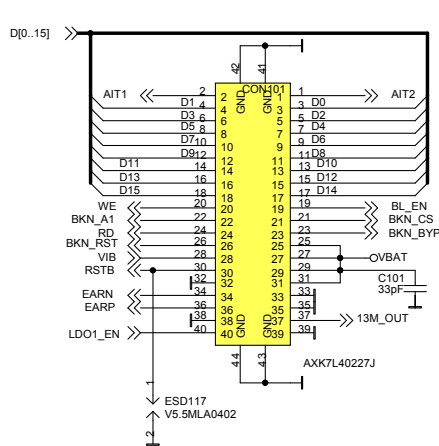
Chi Mei Communication System, Inc.

11F, No. 39, Chung Hua Road Sec. 1
Taipei 100, Taiwan, R.O.C.

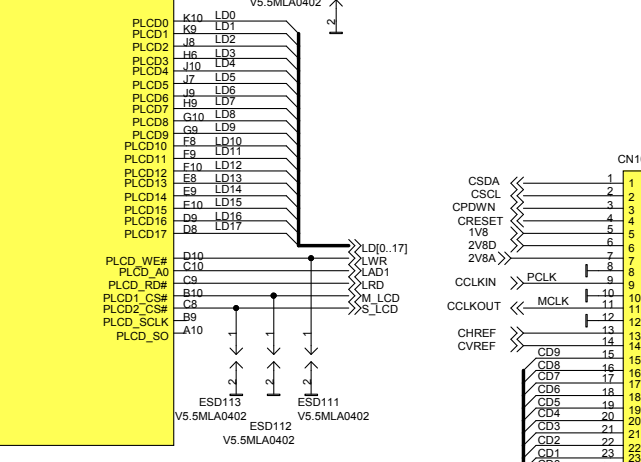
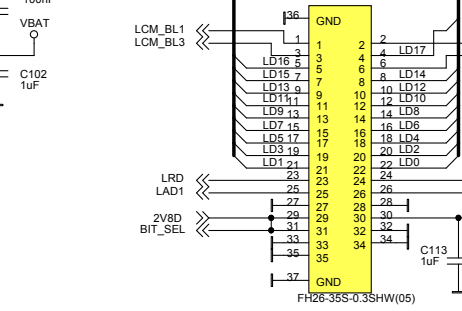
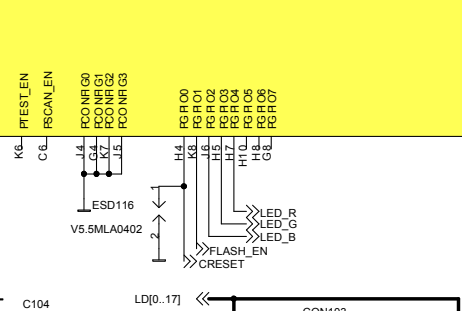
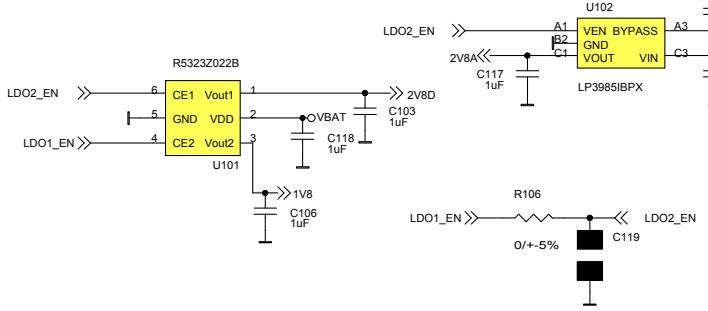
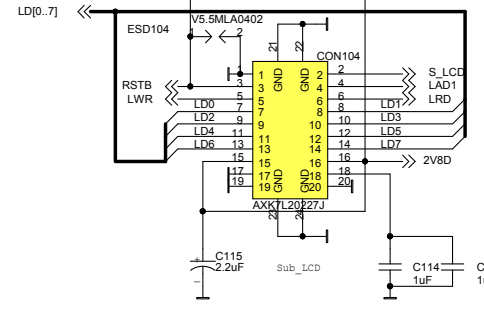
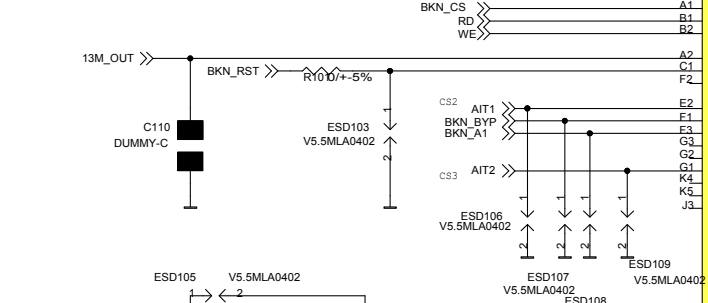
PROJECT NAME: A668		
TITLE: RF		
SIZE: Custom	DOCUMENT NO.: WGRAMSPN005A	Rev: G
DATE: OCT-18-2004	SHEET 6 OF 9	




		Chi Mei Communication System, Inc.	
		11F, No. 39, Chung Hua Road Sec.1 Taipei 100, Taiwan, R.O.C.	
PROJECT NAME: A668			
TITLE: Charger			
SIZE: A4	DOCUMENT NO.: WGRAMSPN005A	Rev: G	
DATE: OCT-18-2004	SHEET 7	OF	9



AIT800G



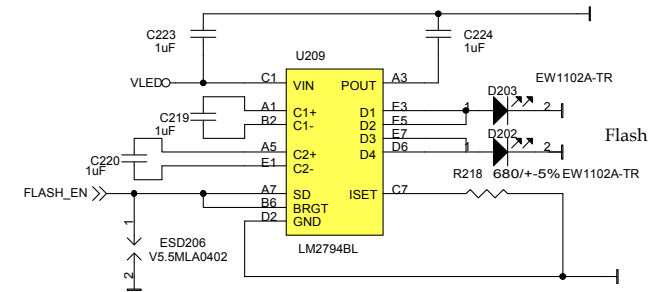
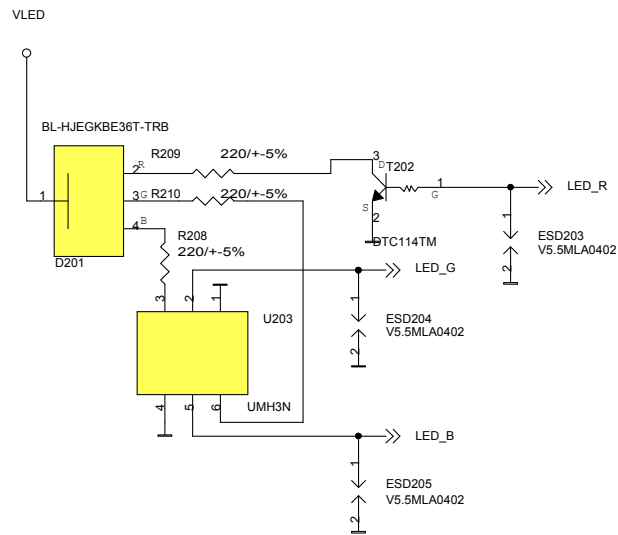
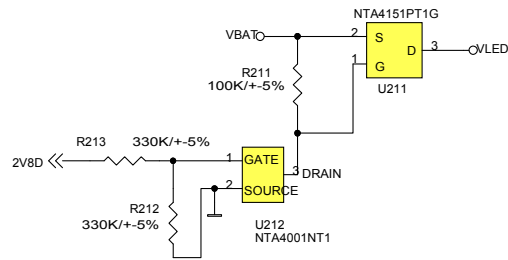
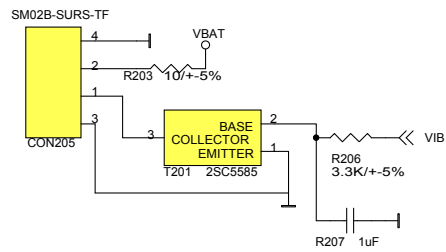
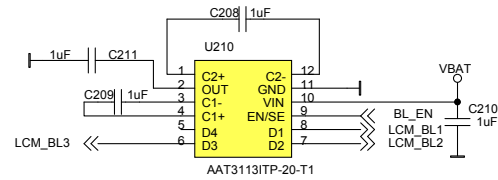
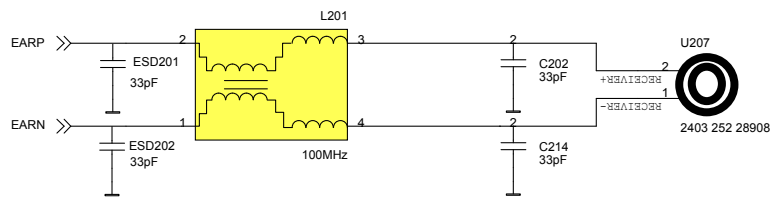
Chi Mei Communication System, Inc.

 11F, No. 39, Chung Hua Road Sec.1
 Taipei 100, Taiwan, R.O.C.


PROJECT NAME: A668

TITLE: UPPER - Camera,Lcd,Receiver

SIZE: Custom DOCUMENT NO.: WGRAMSPN005A Rev: F

DATE: Sep-20-2004 SHEET 1 OF 2



 Chi Mei Communication System, Inc. 11F, No. 39, Chung Hua Road Sec.1 Taipei 100, Taiwan, R.O.C.		
TITLE: UPPER - Camera.Lcd,Receiver		
SIZE: Custom	DOCUMENT NO.: WGRAMSPN005A	Rev: F
DATE: Sep-20-2004	SHEET 2	OF 2