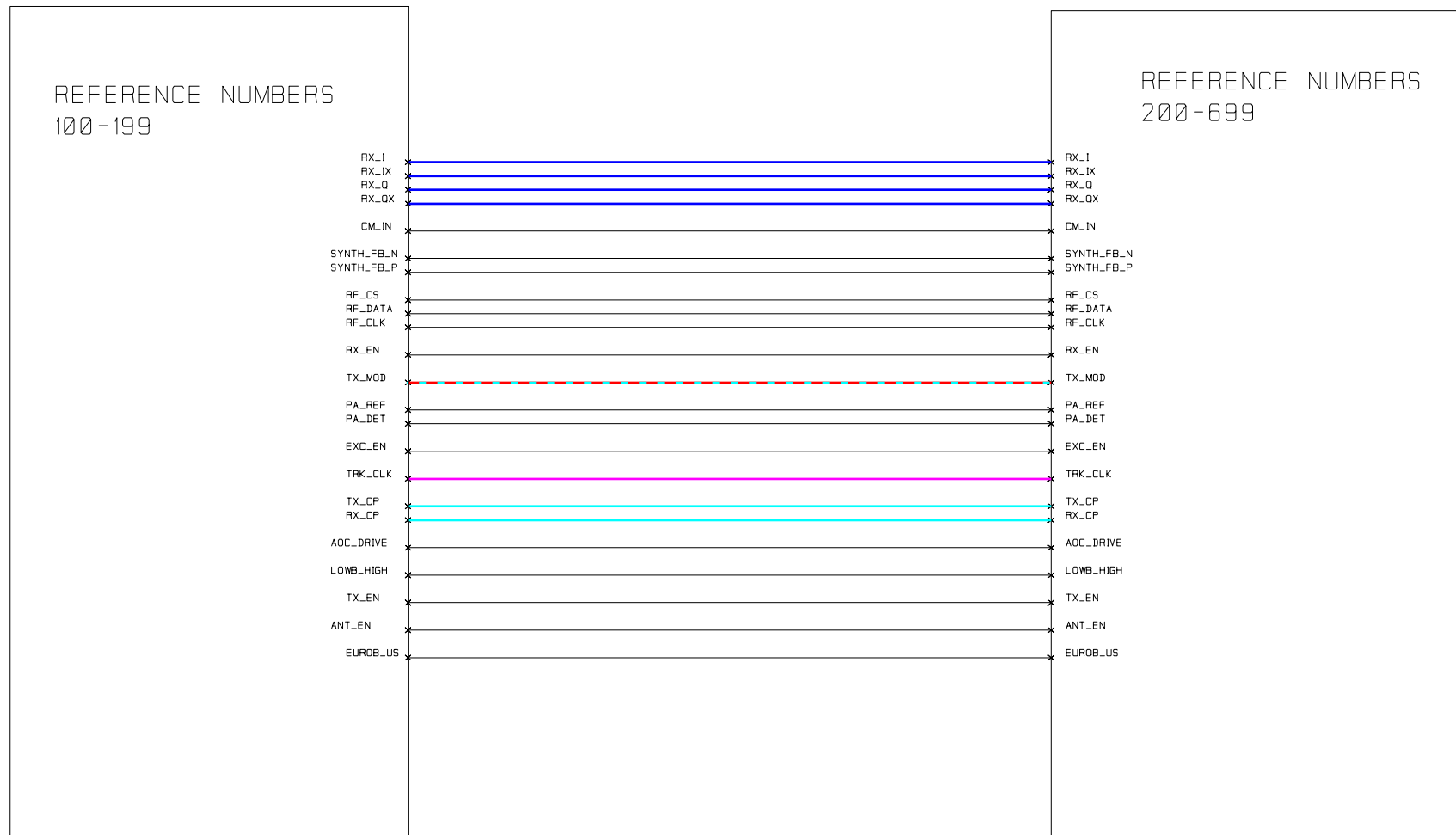


RF Interface

Baseband

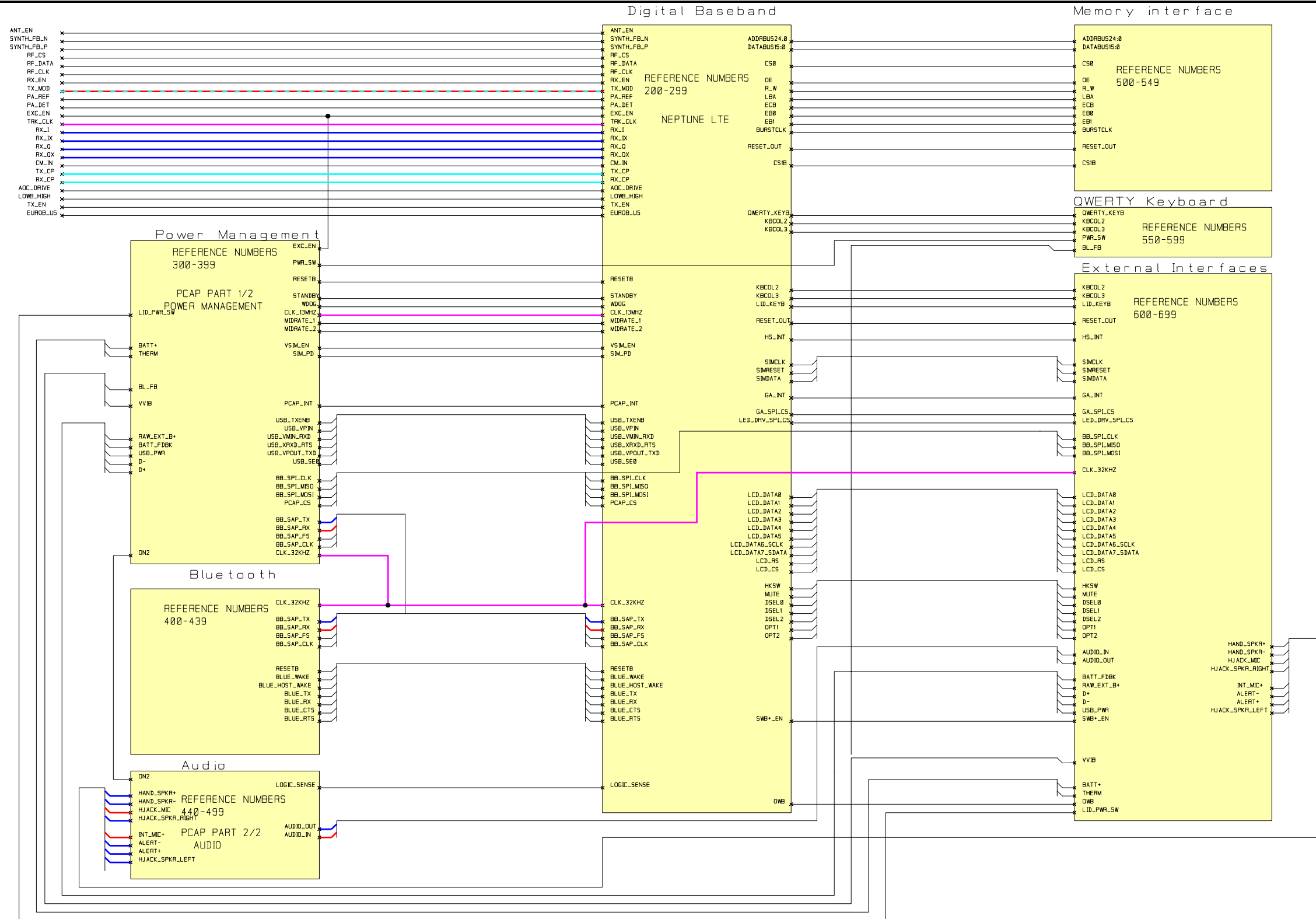


X = NOT ASSEMBLED COMPONENTS



Revision Overview	
Rev. 1.0: Initial	

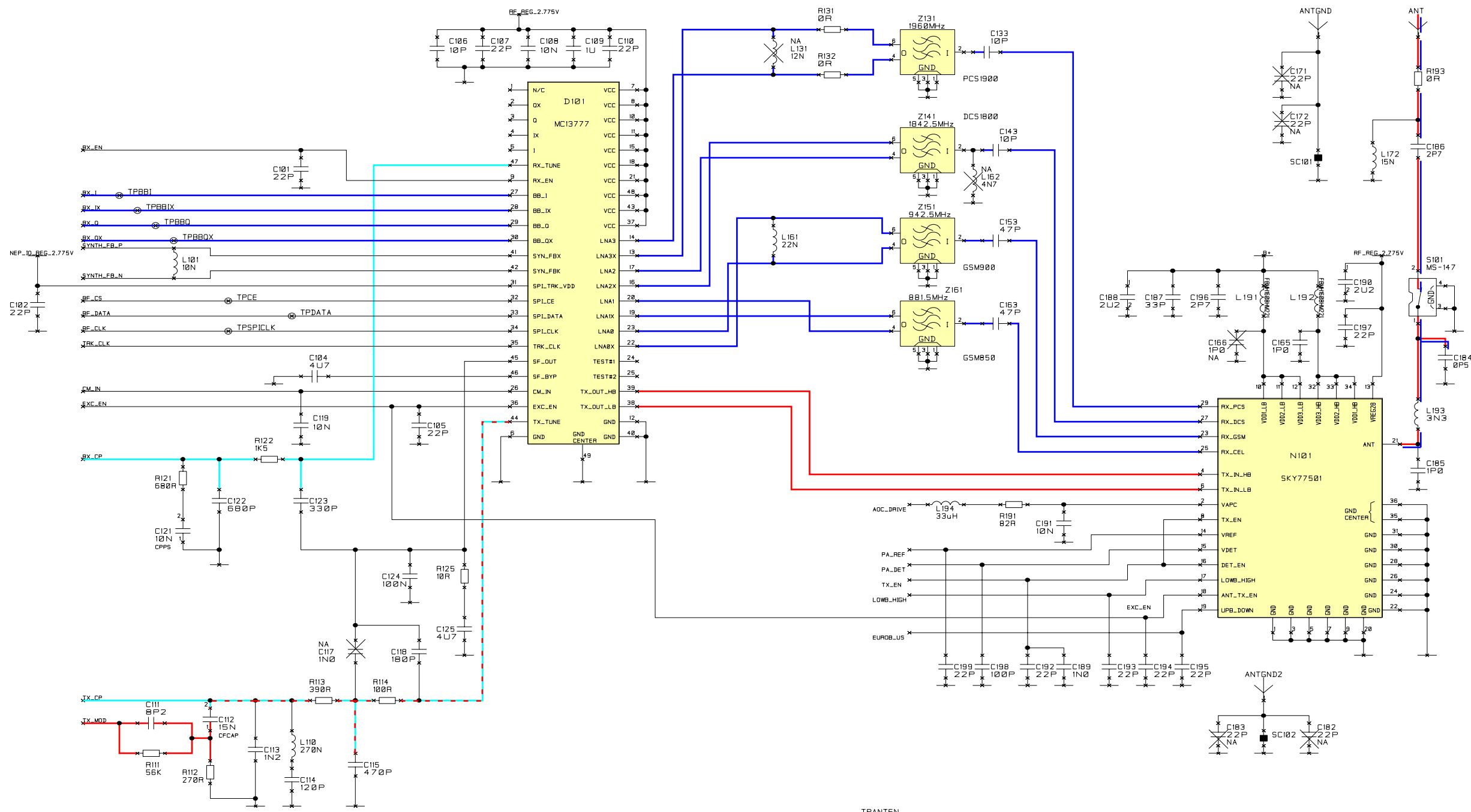
GSM SERVICE SUPPORT GROUP	2004.05.04
LEVEL 3 AL Block Diagram	Rev. 1.0
A630	
Jani Salmikivi	1 of 10



X = NOT ASSEMBLED COMPONENTS

Revision Overview	
Rev. 1.0:	Initial

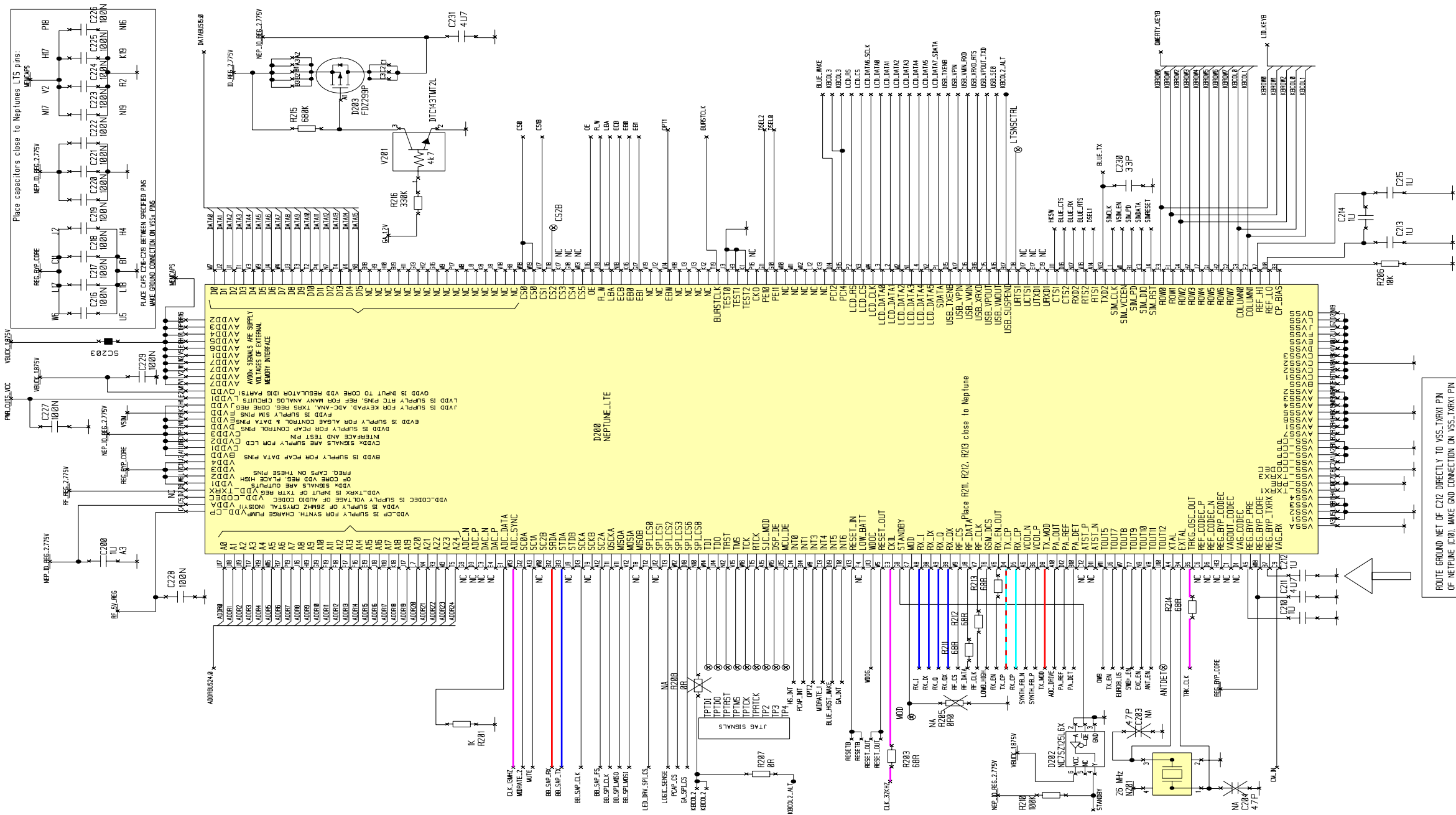
GSM SERVICE SUPPORT GROUP	2004.05.04
LEVEL 3 AL Block Diagram	Rev. 1.0
A630	
Jani Salmikivi	2 of 10



X = NOT ASSEMBLED COMPONENTS

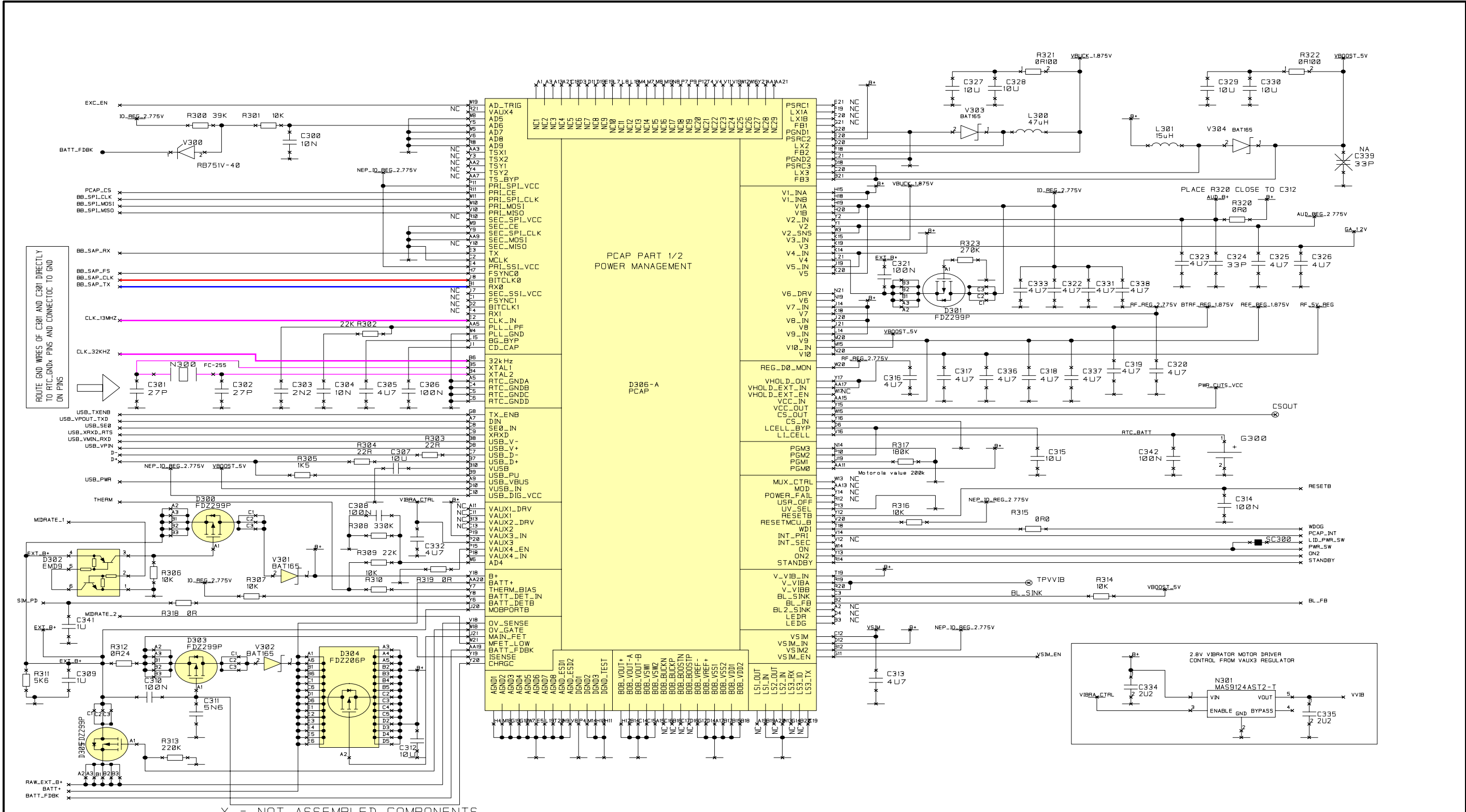
Revision Overview	
Rev. 1.0:	Initial

GSM SERVICE SUPPORT GROUP	2004.05.04
LEVEL 3 AL Block Diagram	Rev. 1.0
A630	
Jani Salmikivi	3of 10



Revision Overview	
Rev. 1.0:	Initial

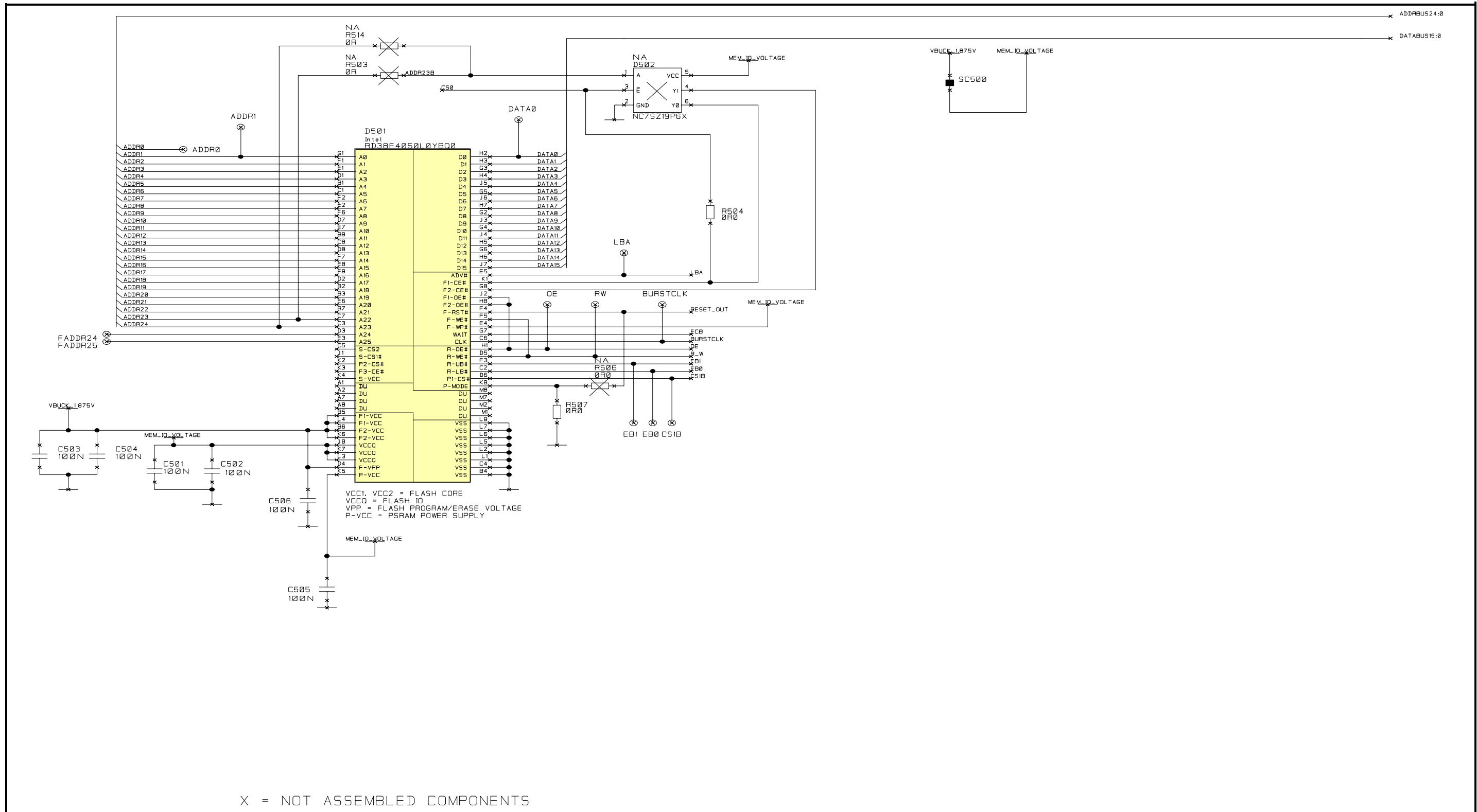
GSM SERVICE SUPPORT GROUP	2004.05.04
LEVEL 3 AL Block Diagram	Rev. 1.0
A630	
Jani Salmikivi	4of 10



Revision Overview
Rev. 1.0: Initial

GSM SERVICE SUPPORT GROUP	2004.05.04
LEVEL 3 AL Block Diagram	Rev. 1.0
A630	
Jani Salmikivi	Sof 10





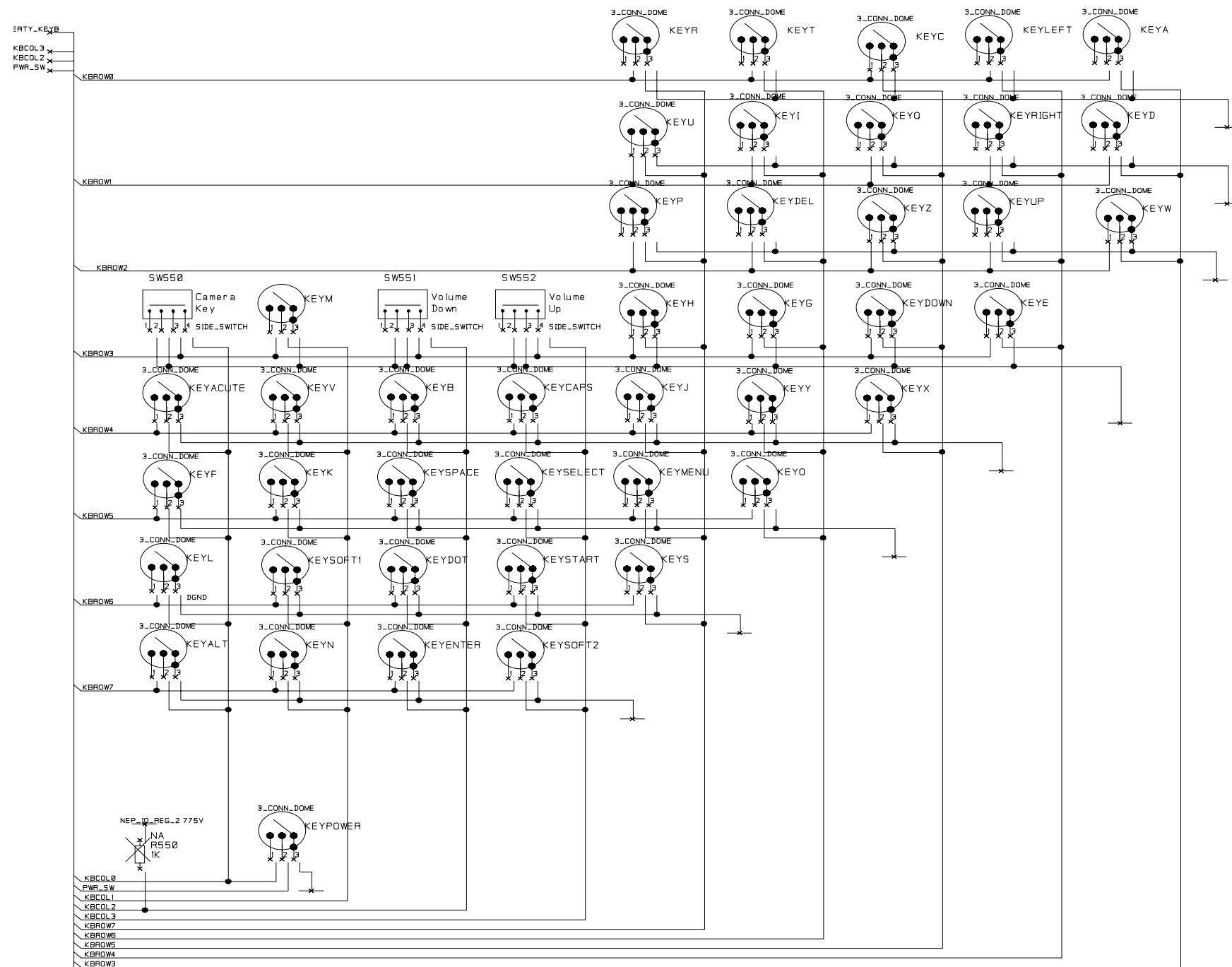
X = NOT ASSEMBLED COMPONENTS



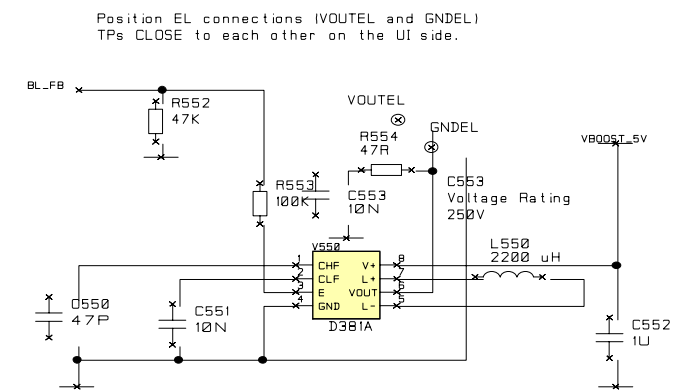
Revision Overview	
Rev. 1.0: Initial	

GSM SERVICE SUPPORT GROUP	2004.05.04
LEVEL 3 AL Block Diagram	Rev. 1.0
A630	
Jani Salmikivi	6 of 10

MMP QWERTY KEYPAD, 43 KEYS + 3 SIDE KEYS



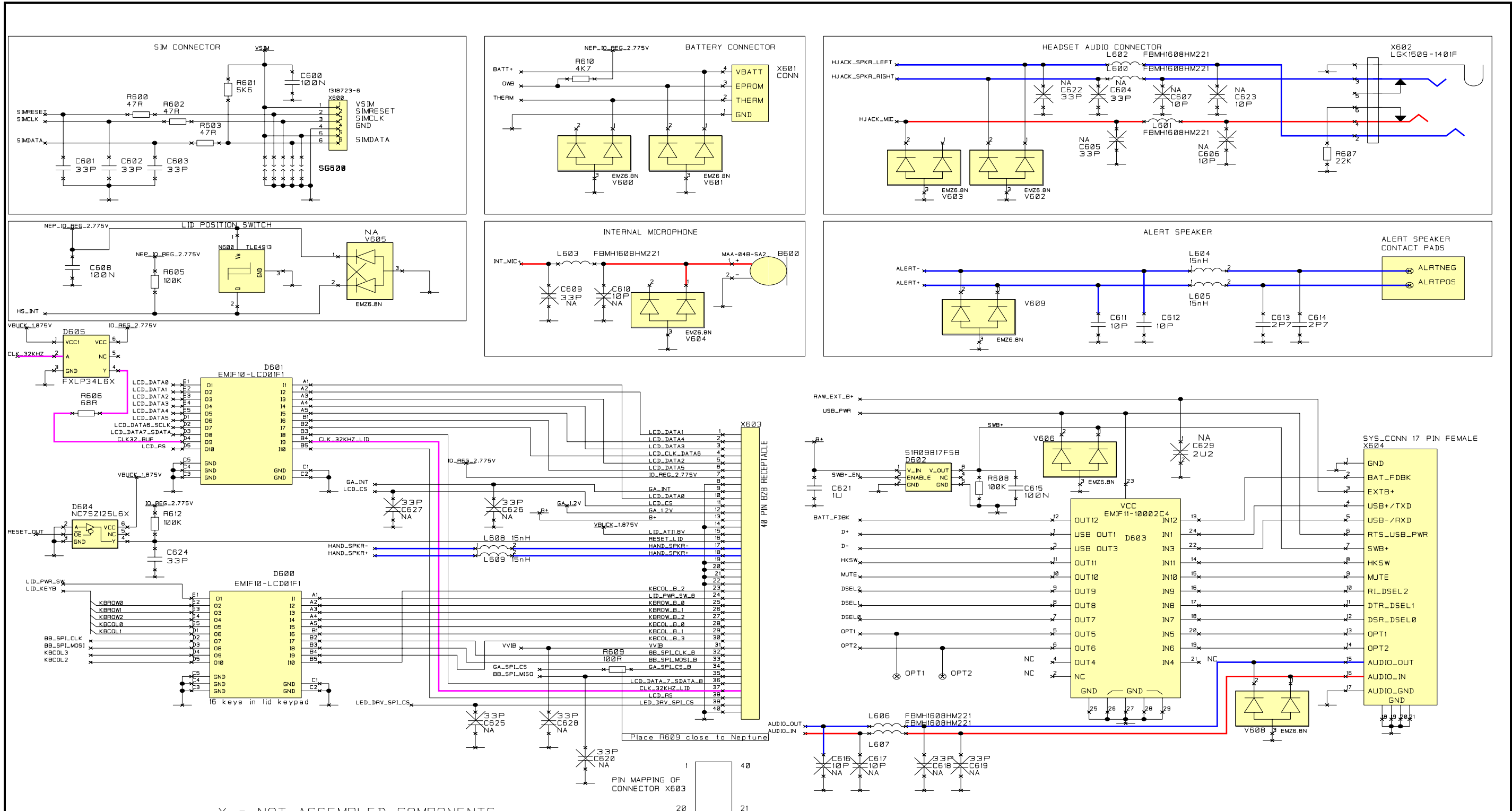
X = NOT ASSEMBLED COMPONENTS



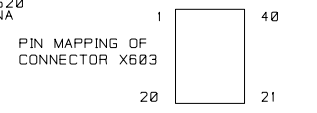
Revision Overview
Rev. 1.0: Initial

GSM SERVICE SUPPORT GROUP	2004.05.04
LEVEL 3 AL Block Diagram	Rev. 1.0
A630	
Jani Salmikivi	7 of 10





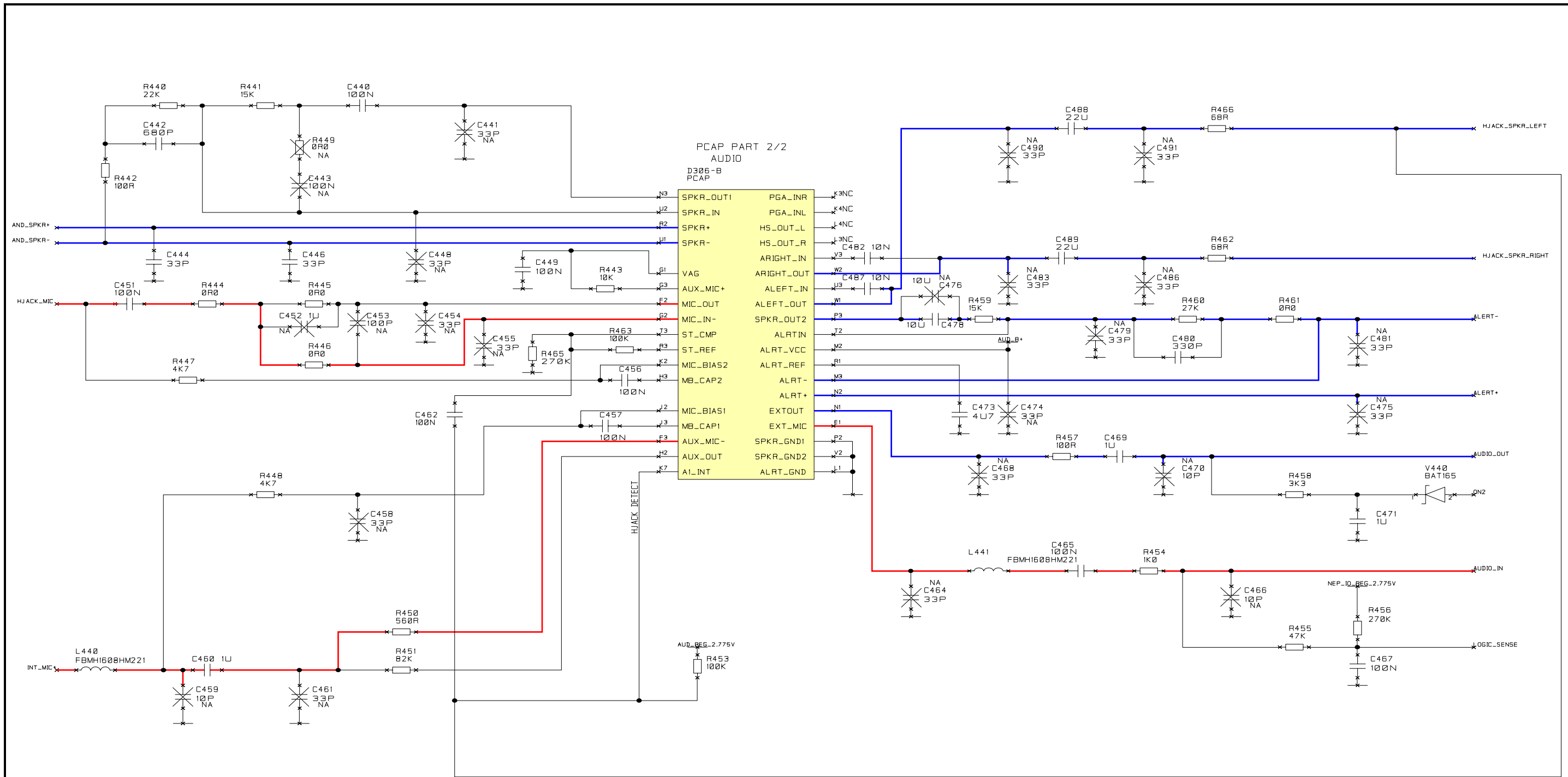
X = NOT ASSEMBLED COMPONENTS



Revision Overview

Rev. 1.0: Initial

GSM SERVICE SUPPORT GROUP	2004.05.04
LEVEL 3 AL Block Diagram	Rev. 1.0
A630	
Jani Salmikivi	8 of 10

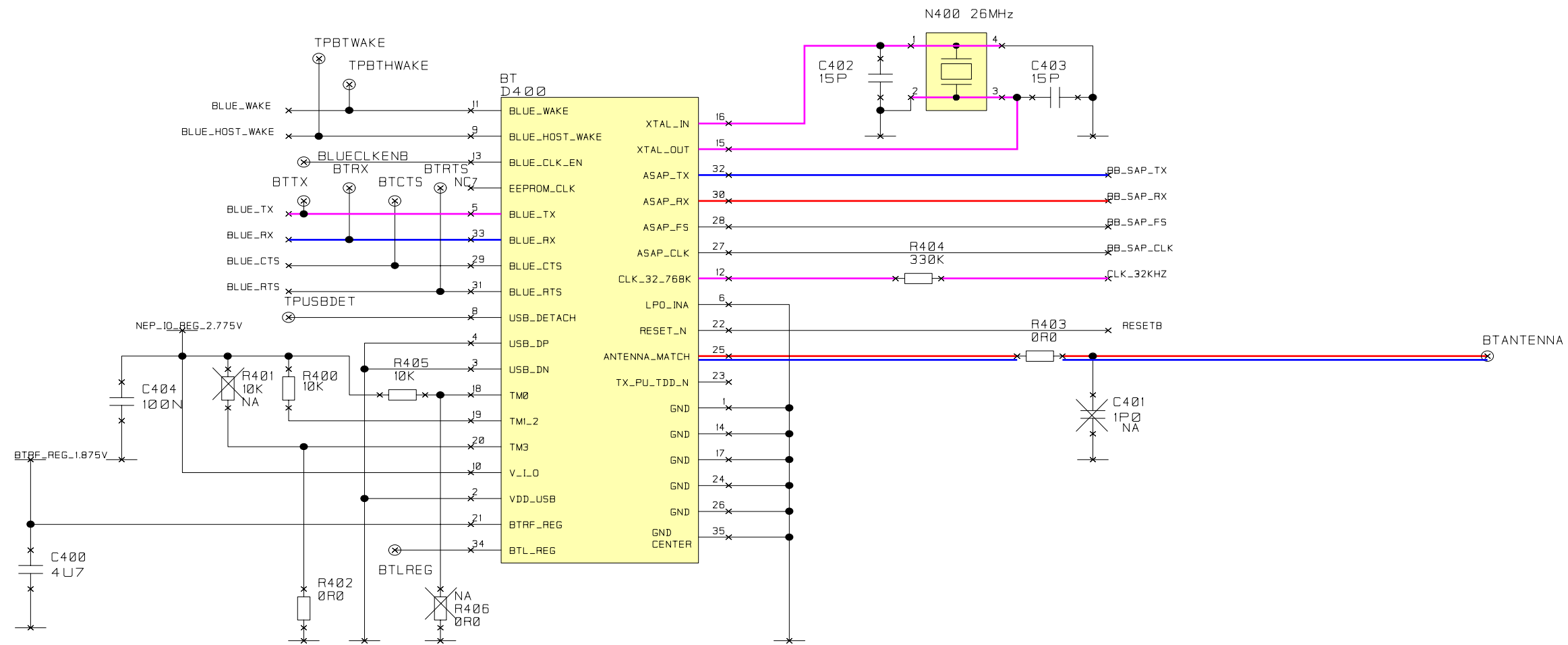


X = NOT ASSEMBLED COMPONENTS



Revision Overview	
Rev. 1.0:	Initial

GSM SERVICE SUPPORT GROUP	2004.05.04
LEVEL 3 AL Block Diagram	Rev. 1.0
A630	
Jani Salmikivi	9 of 10



Revision Overview
Rev. 1.0: Initial

GSM SERVICE SUPPORT GROUP	2004.05.04
LEVEL 3 AL Block Diagram	Rev. 1.0
A630	
Jani Salmikivi	10 of 10