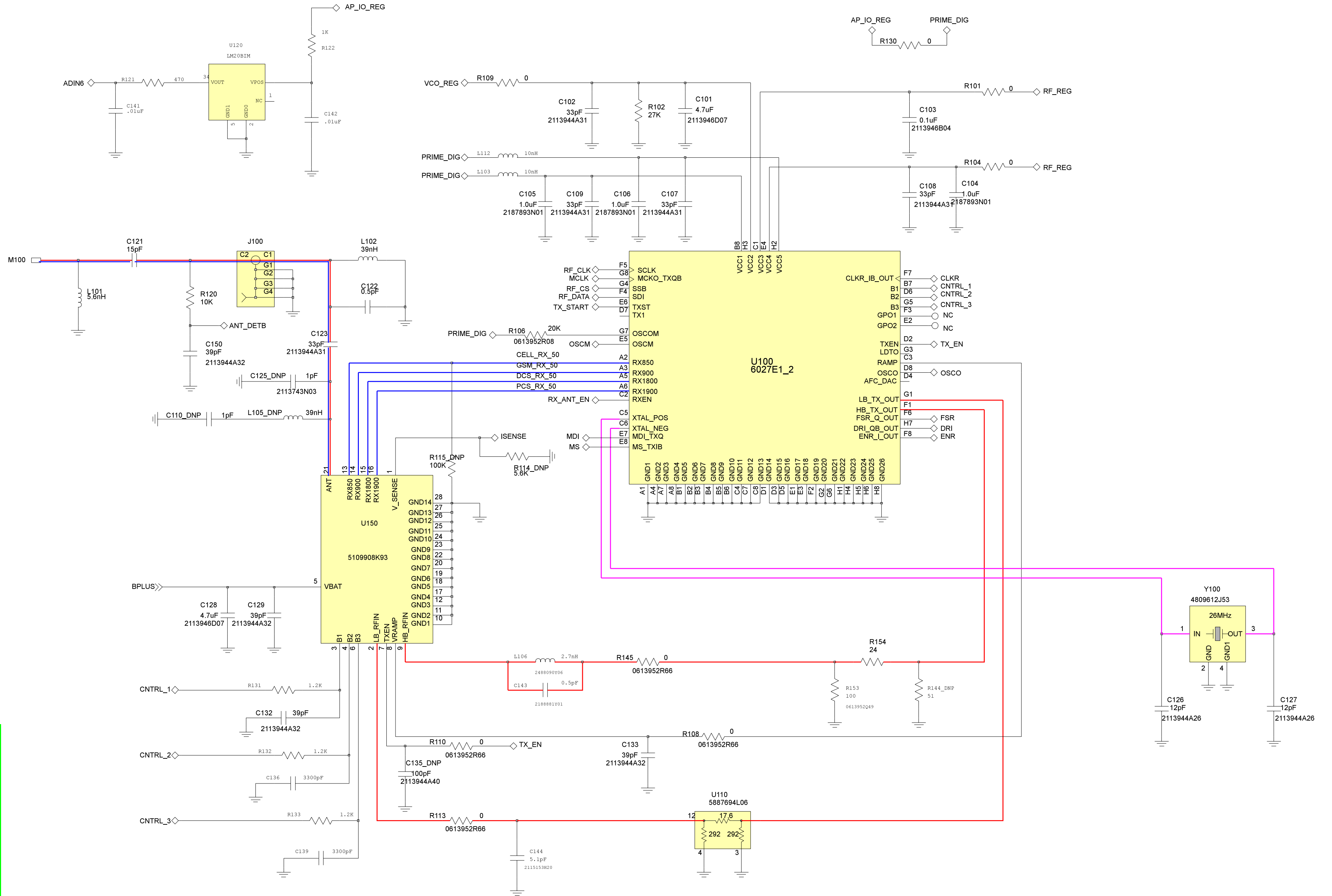


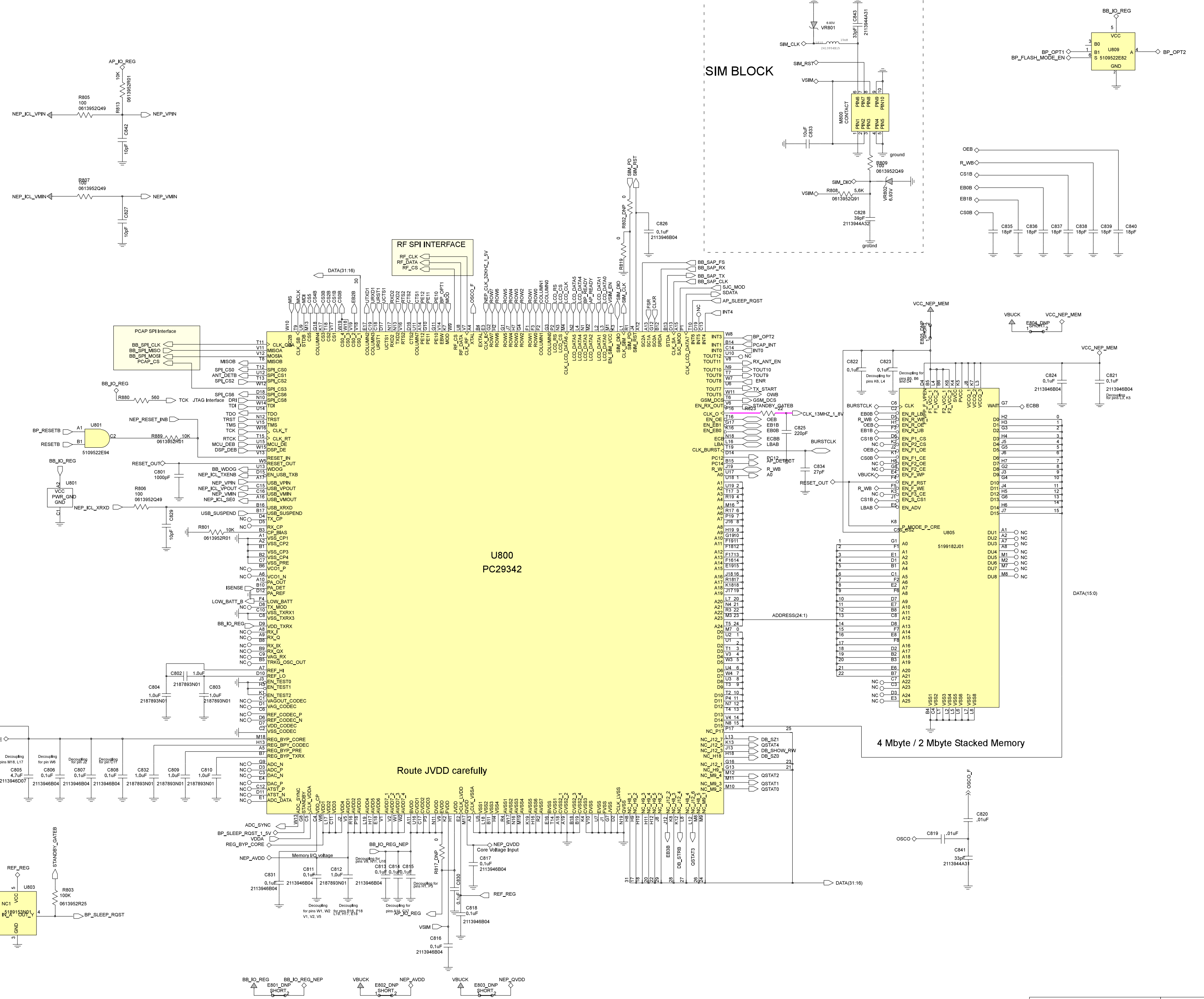
RF



A1200i 848807Z10

BP

A1200i 8488072Z10



U800 PC29342

Route JVDD carefully

4 Mbyte / 2 Mbyte Stacked Memory

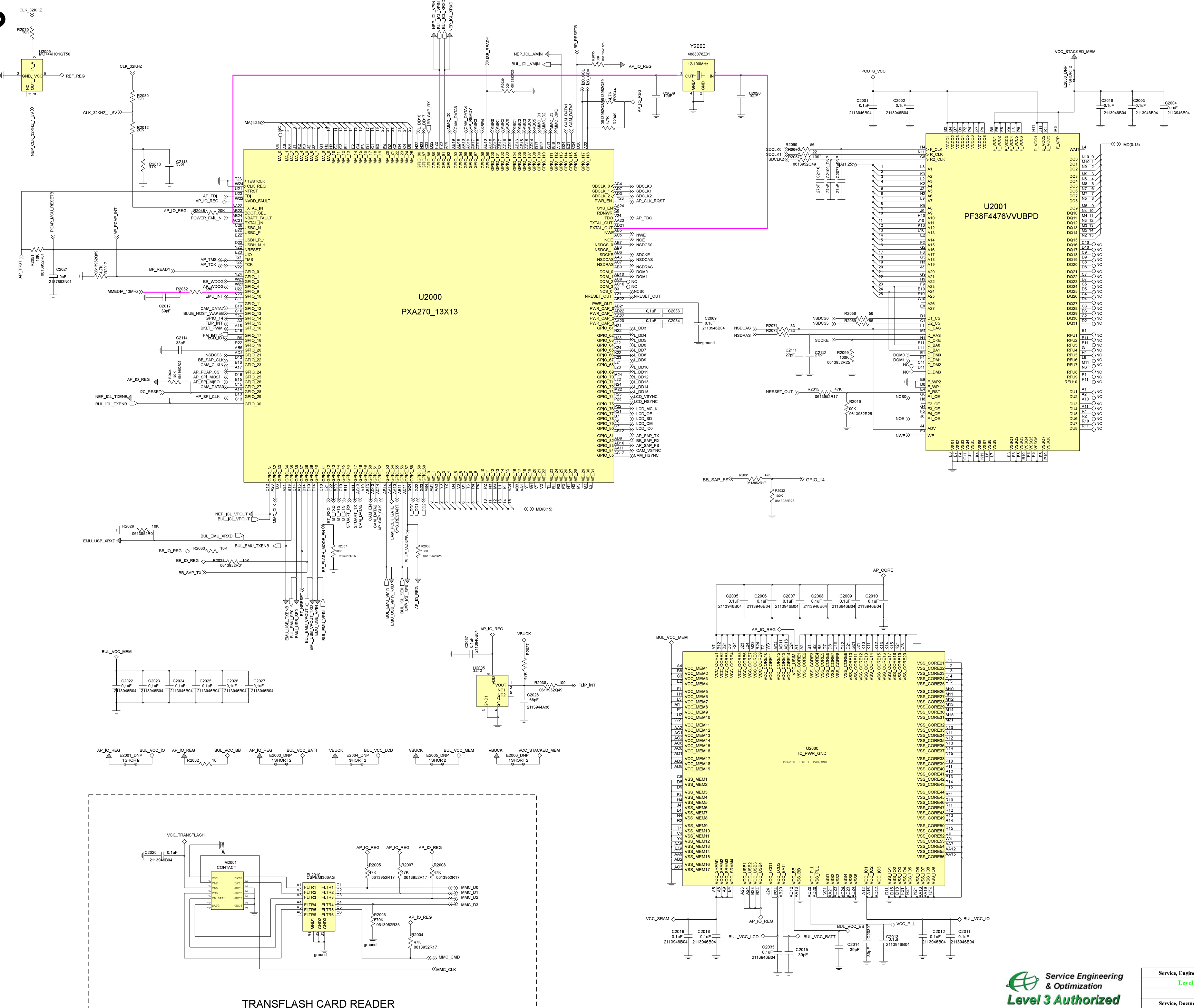
SIM BLOCK

Service, Engineering & Optimization	2006.05.11
Level 3 Schematics	Rev. 1.0
A1200i	8488072Z10
Service, Documentation & Training	Page 2 of 6



AP

A1200i 848807Z10

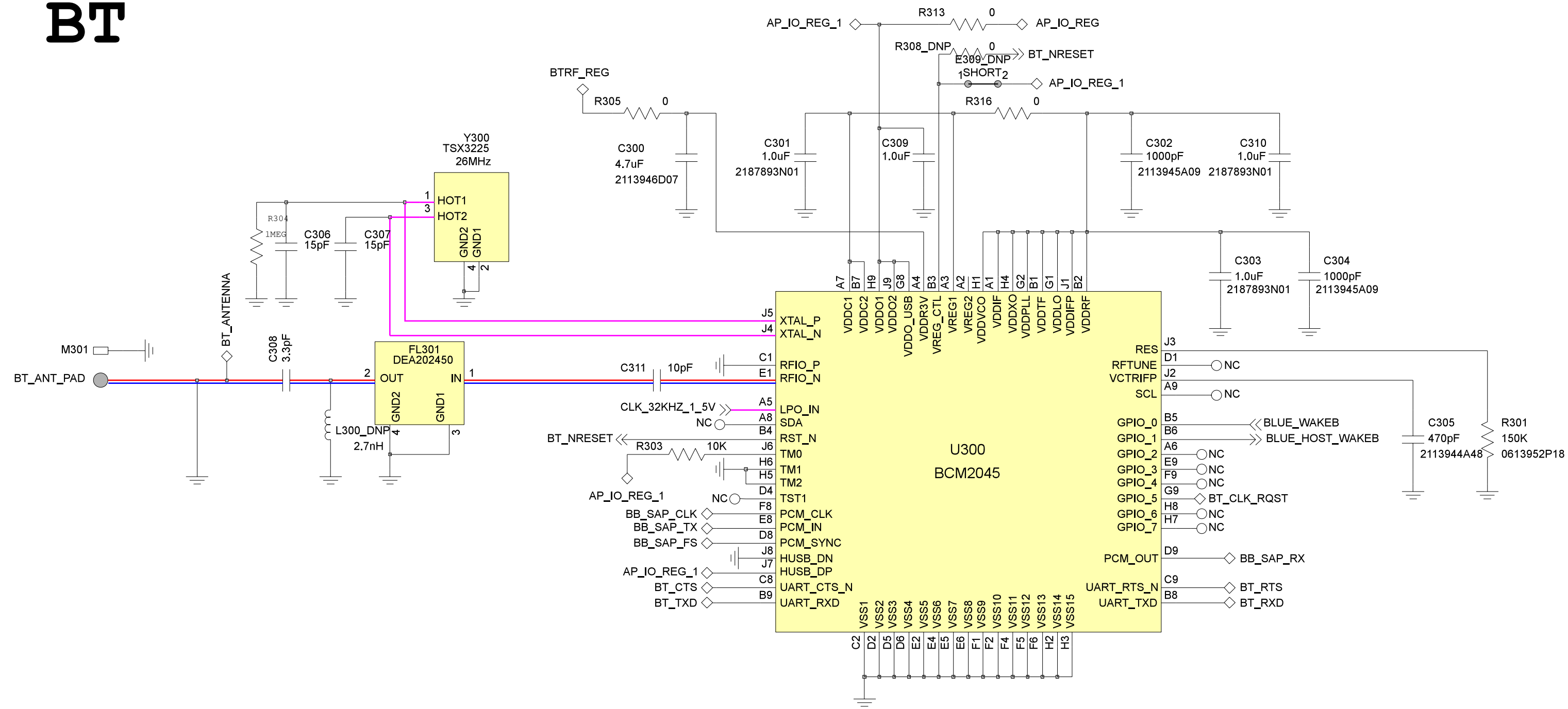


TRANSFLASH CARD READER

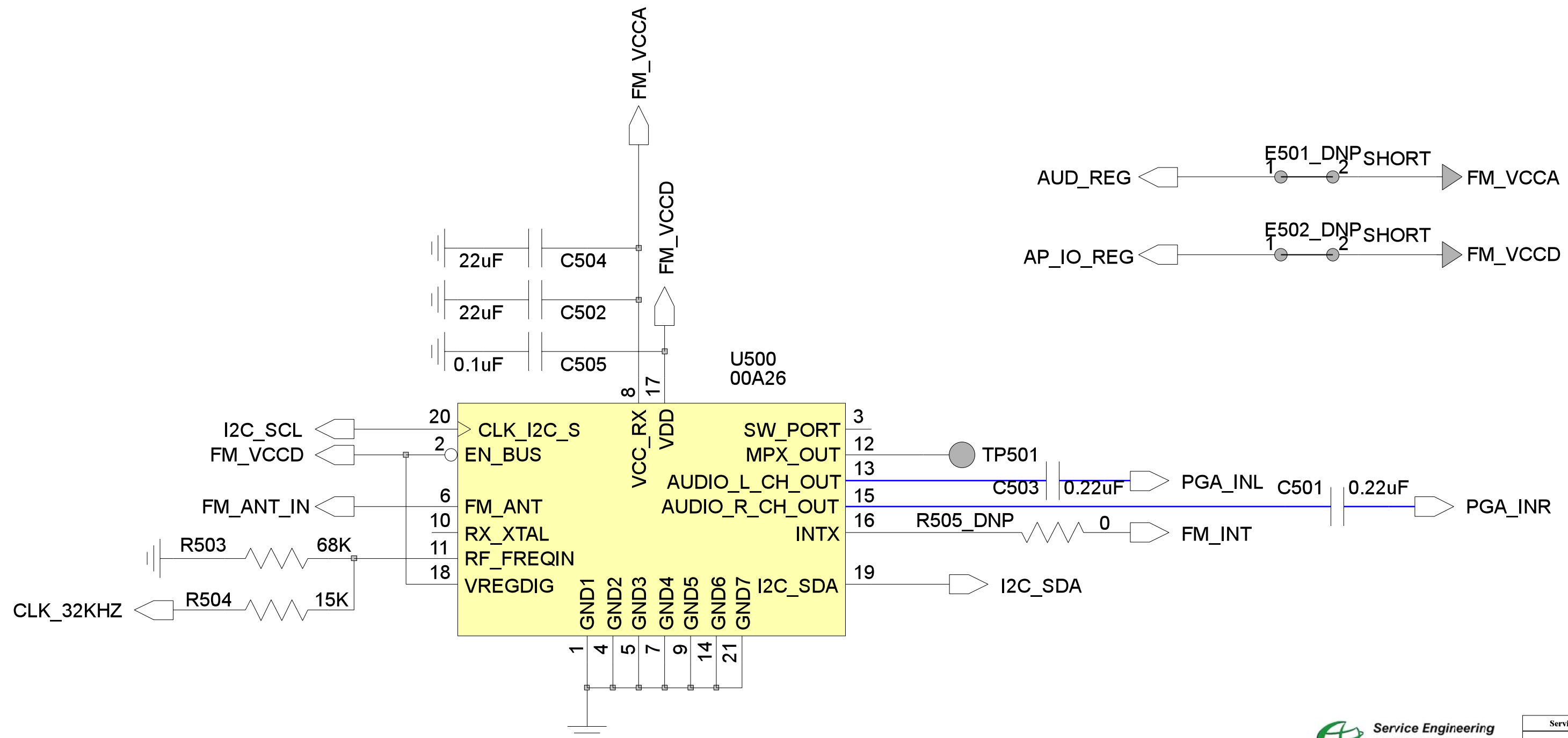
Service Engineering & Optimization
Level 3 Schematics
A1200i
Service, Documentation & Training

Service, Engineering & Optimization	2006.05.11
Level 3 Schematics	Rev. 1.0
A1200i	848807Z10
Service, Documentation & Training	Page 3 of 6

BT

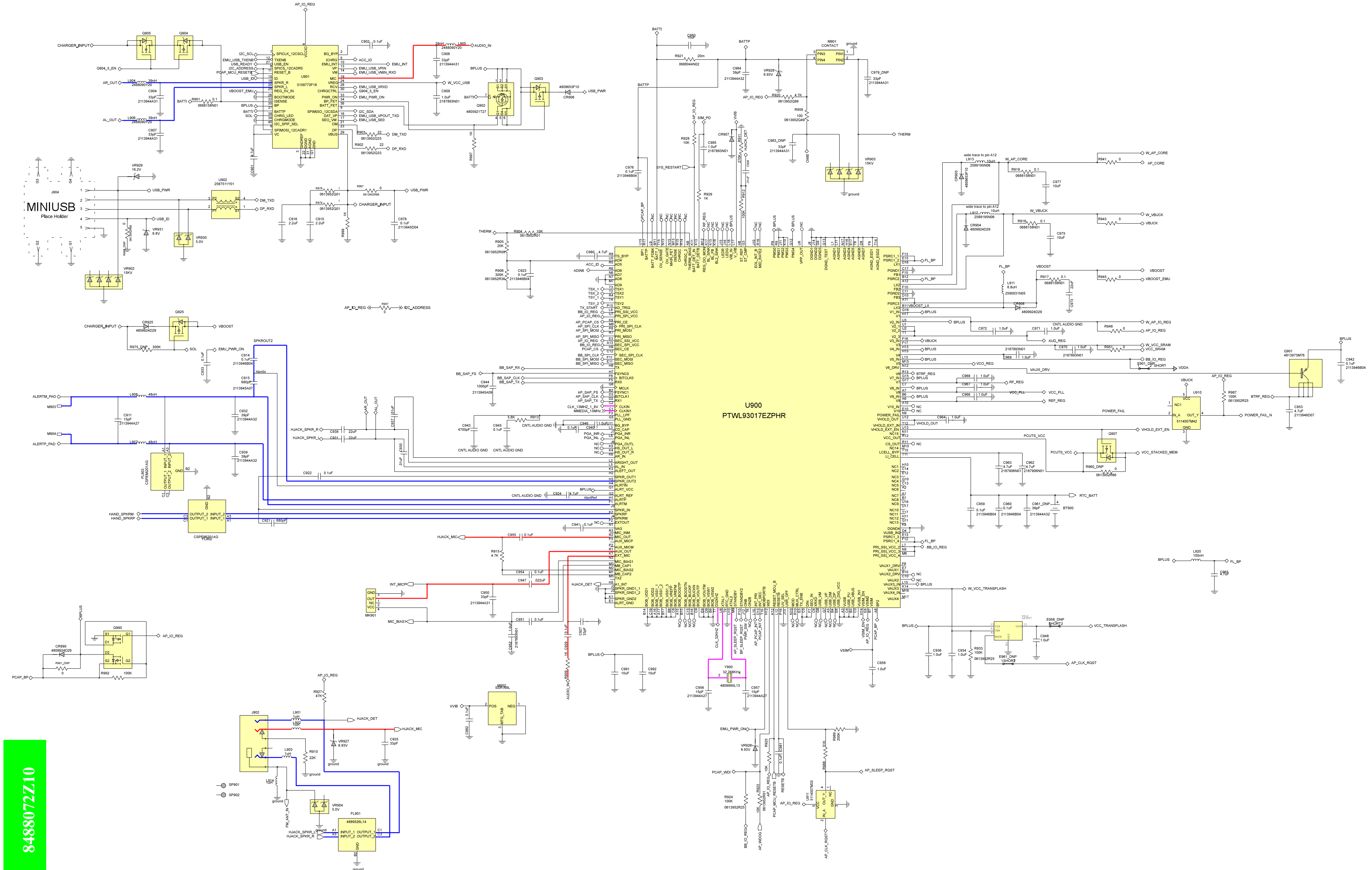


FM



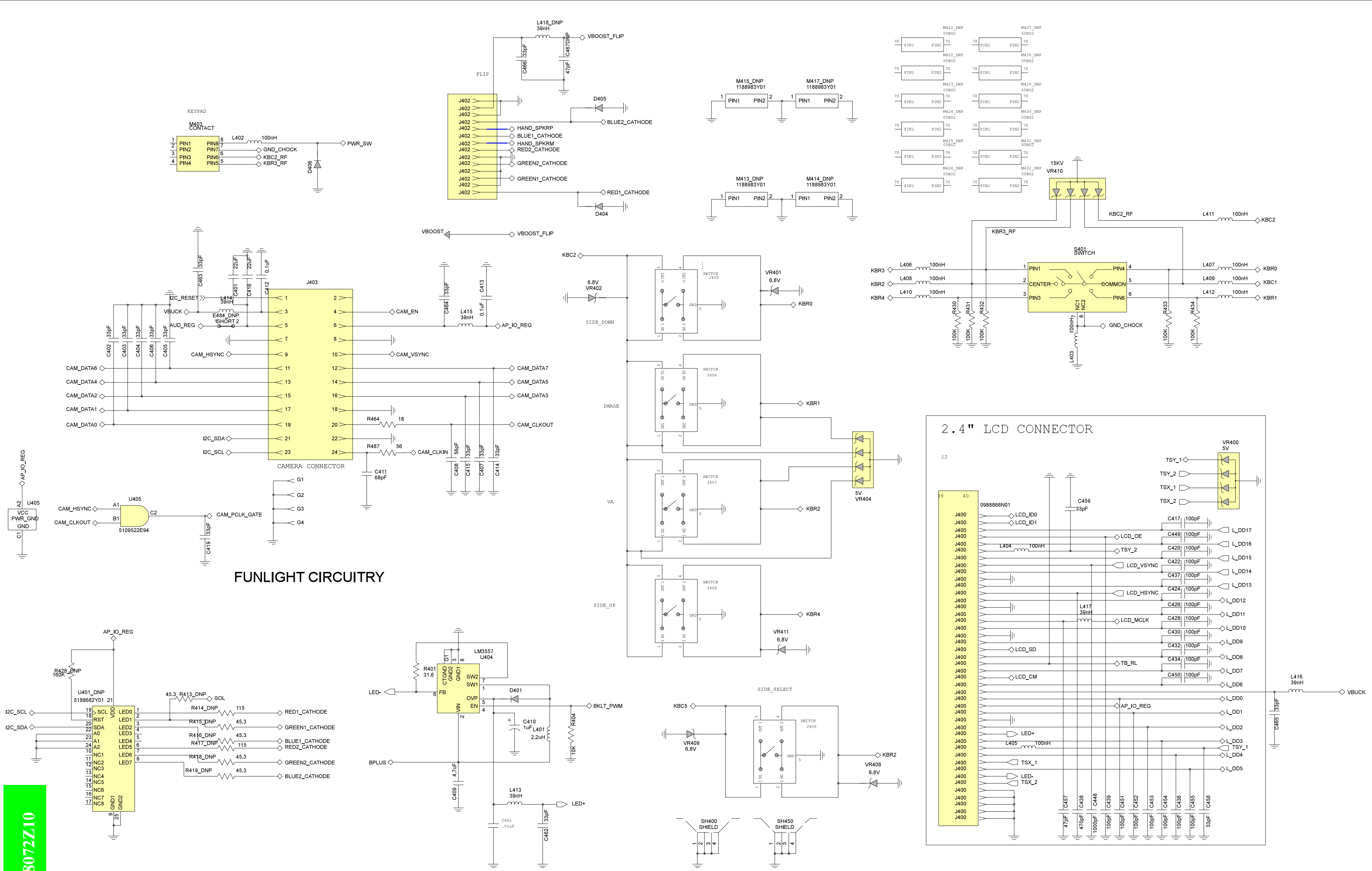
A1200i 8488072Z10

PCAP



A1200i 8488072Z10

A1200i 848807Z10



FUNLIGHT CIRCUITRY