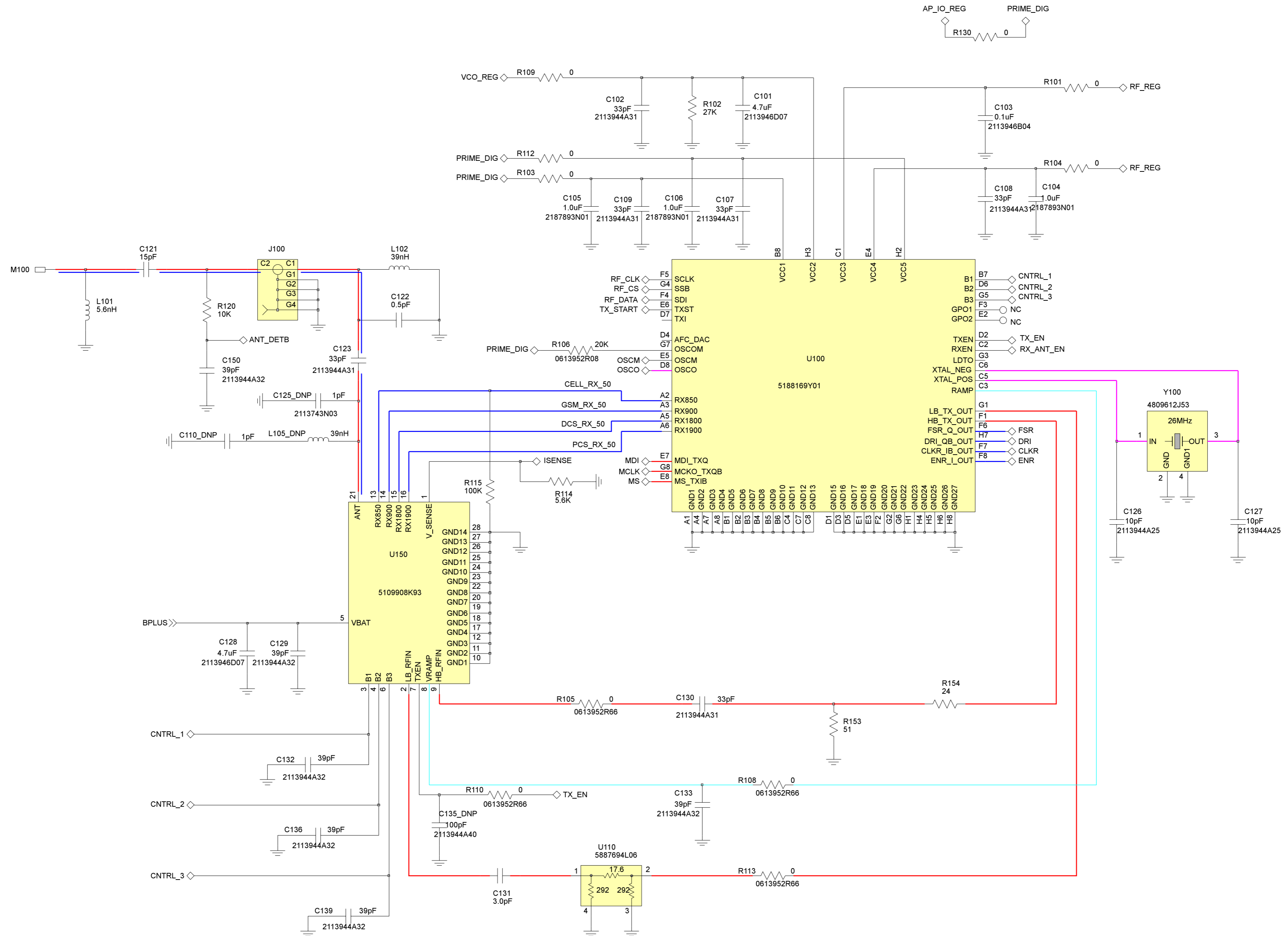


RF

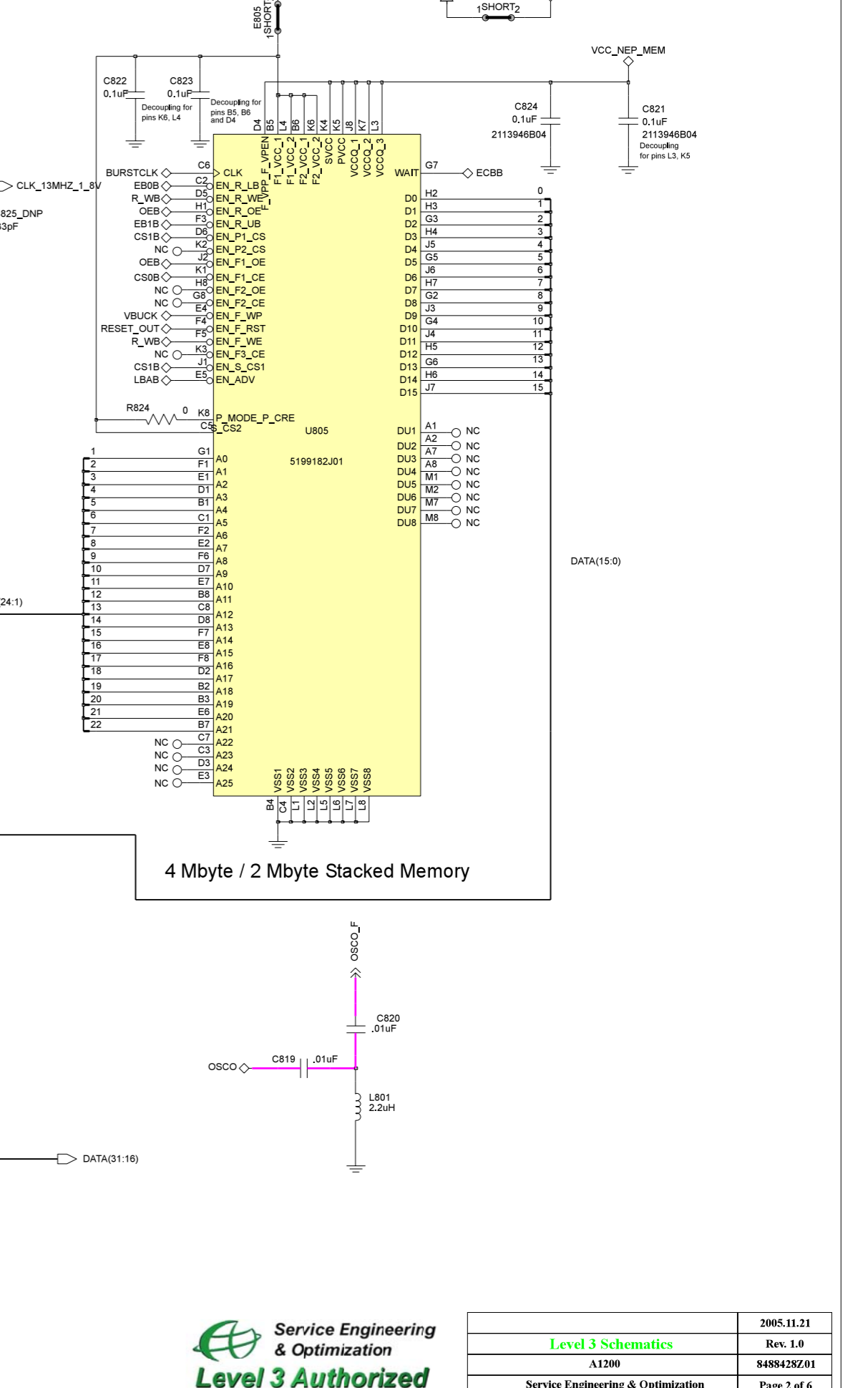
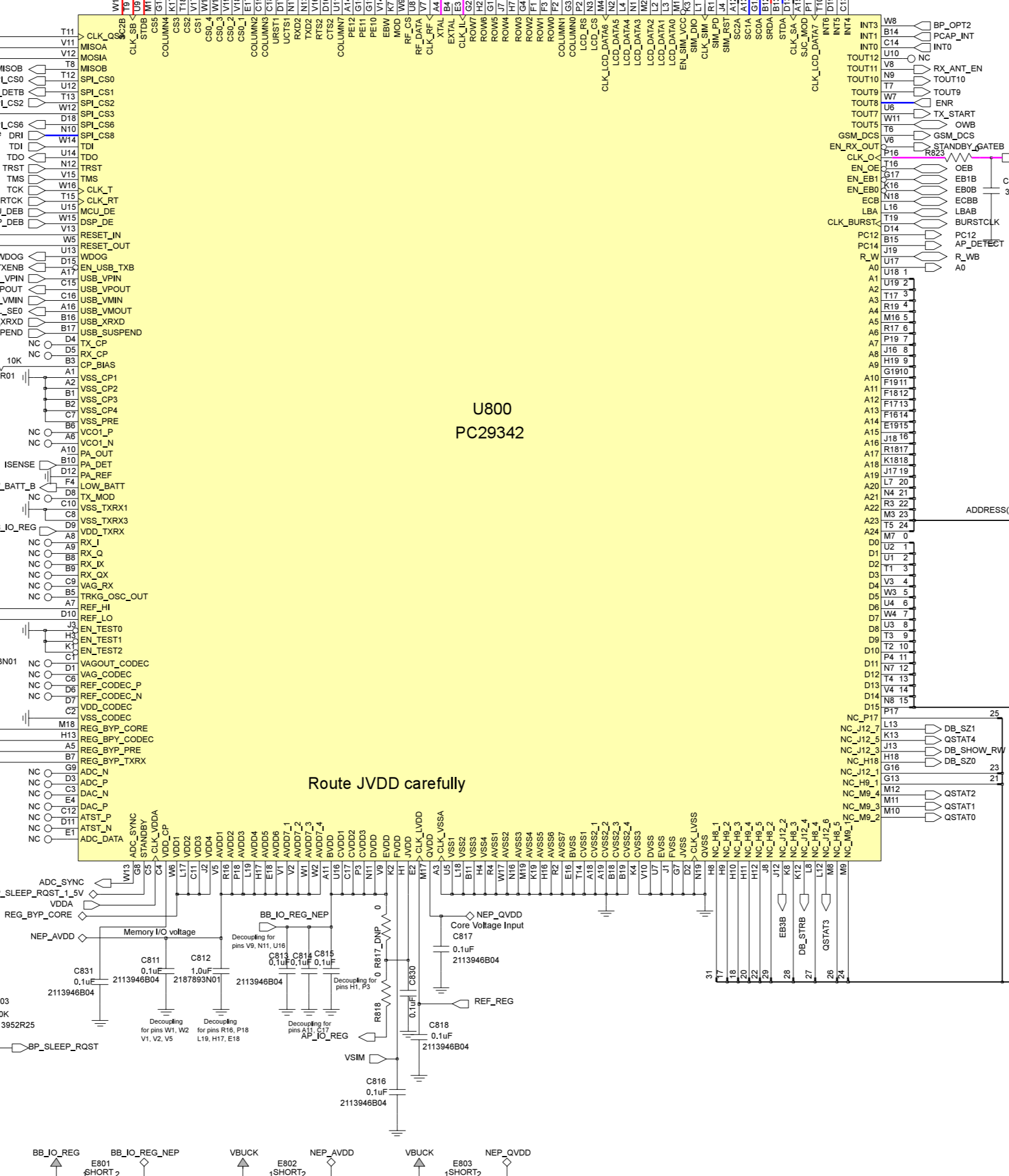
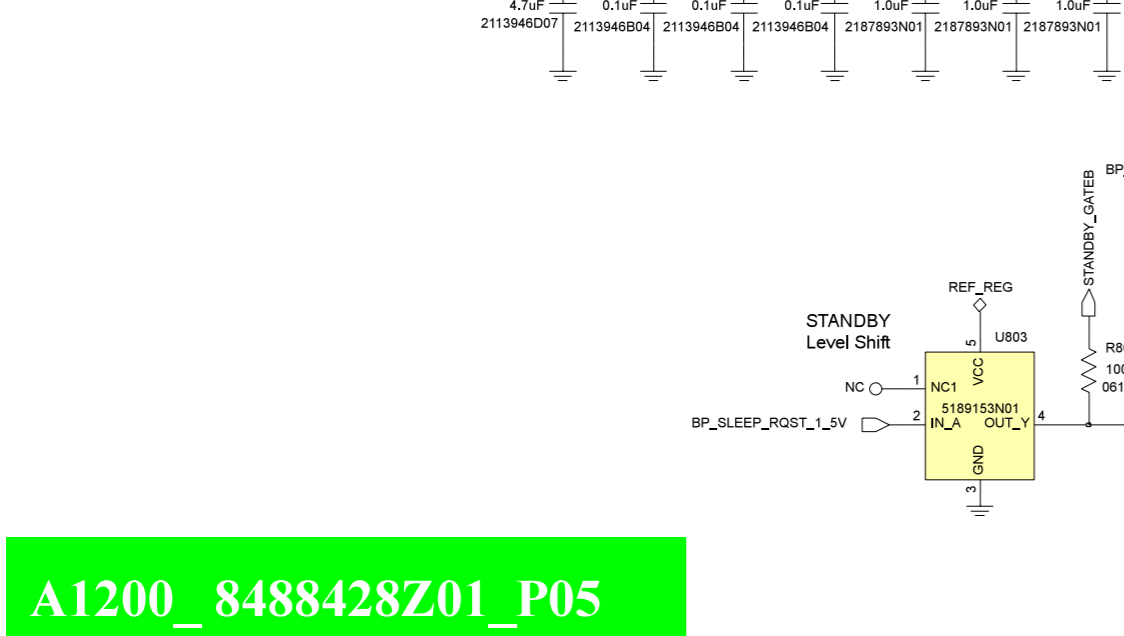
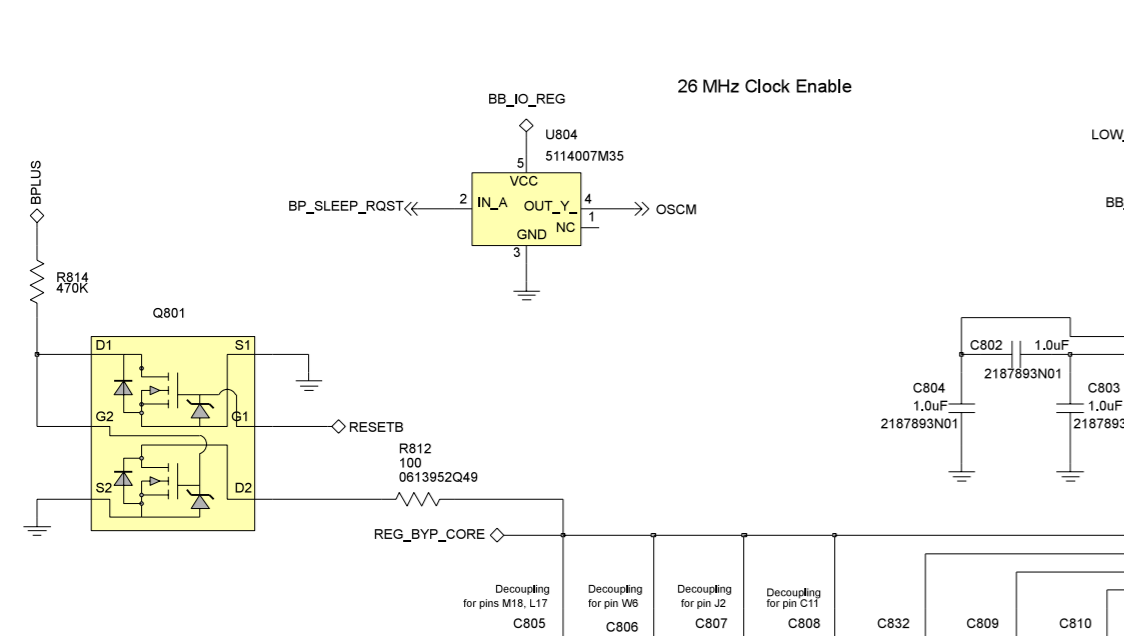
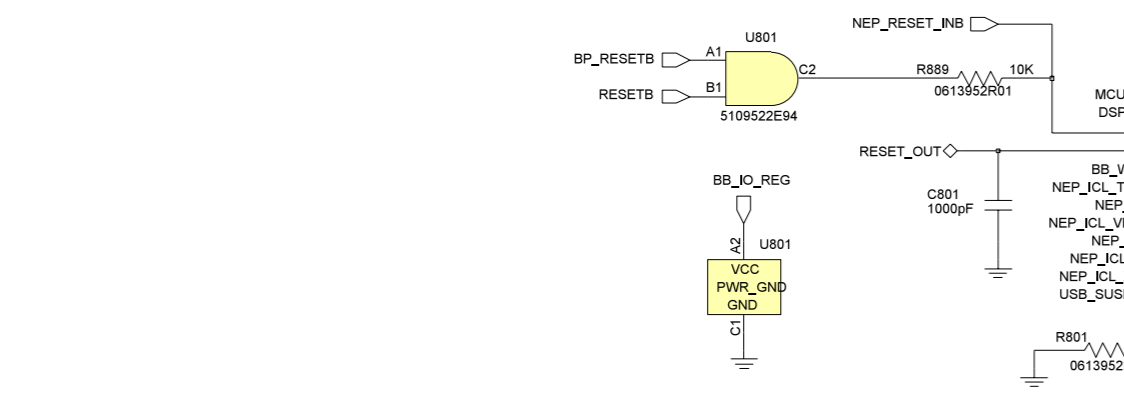
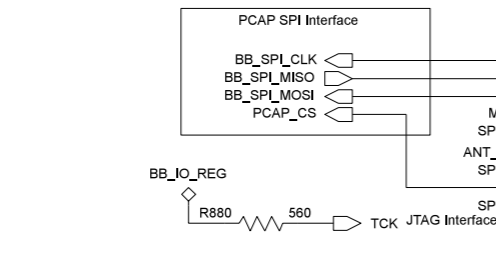
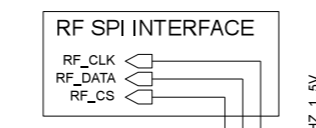
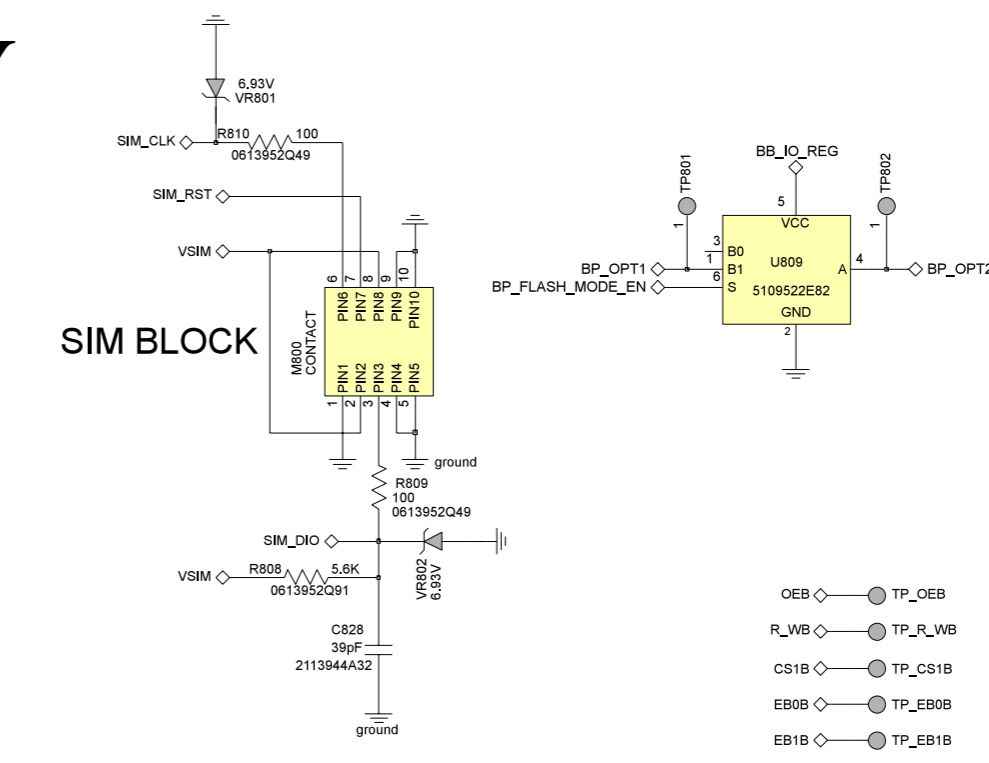
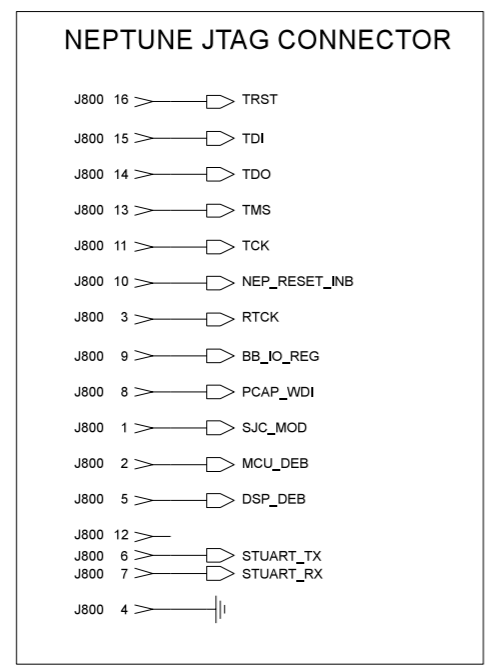


A1200_8488428Z01_P05

Service Engineering & Optimization
Level 3 Authorized

| |
|------------------------------------|
| 2005.11.21 |
| Level 3 Schematics |
| A1200 |
| Rev. 1.0 |
| 8488428Z01 |
| Service Engineering & Optimization |
| Page 1 of 6 |

LOGIC and MEMORY

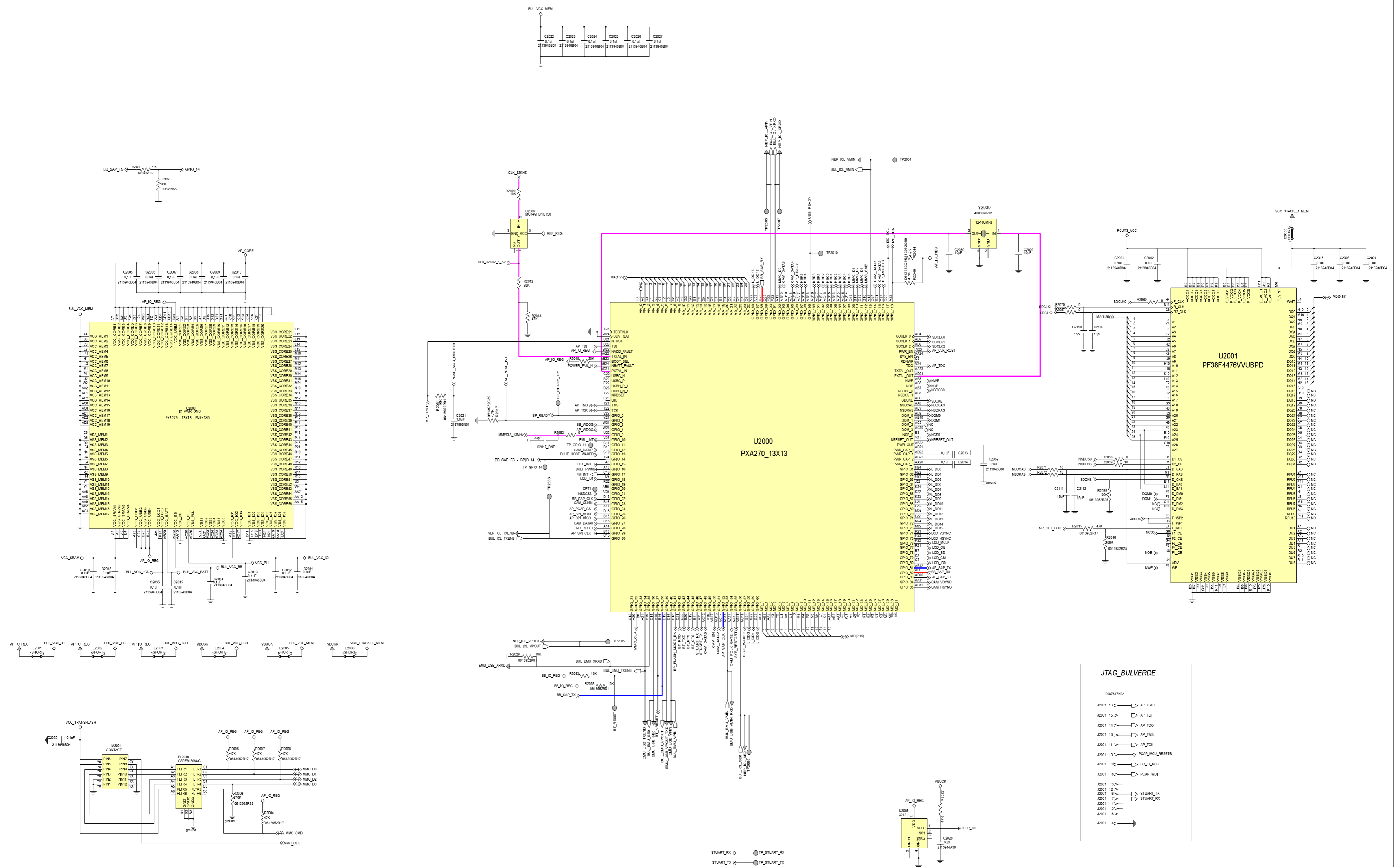


A1200_8488428Z01_P05

Service Engineering & Optimization
Level 3 Authorized

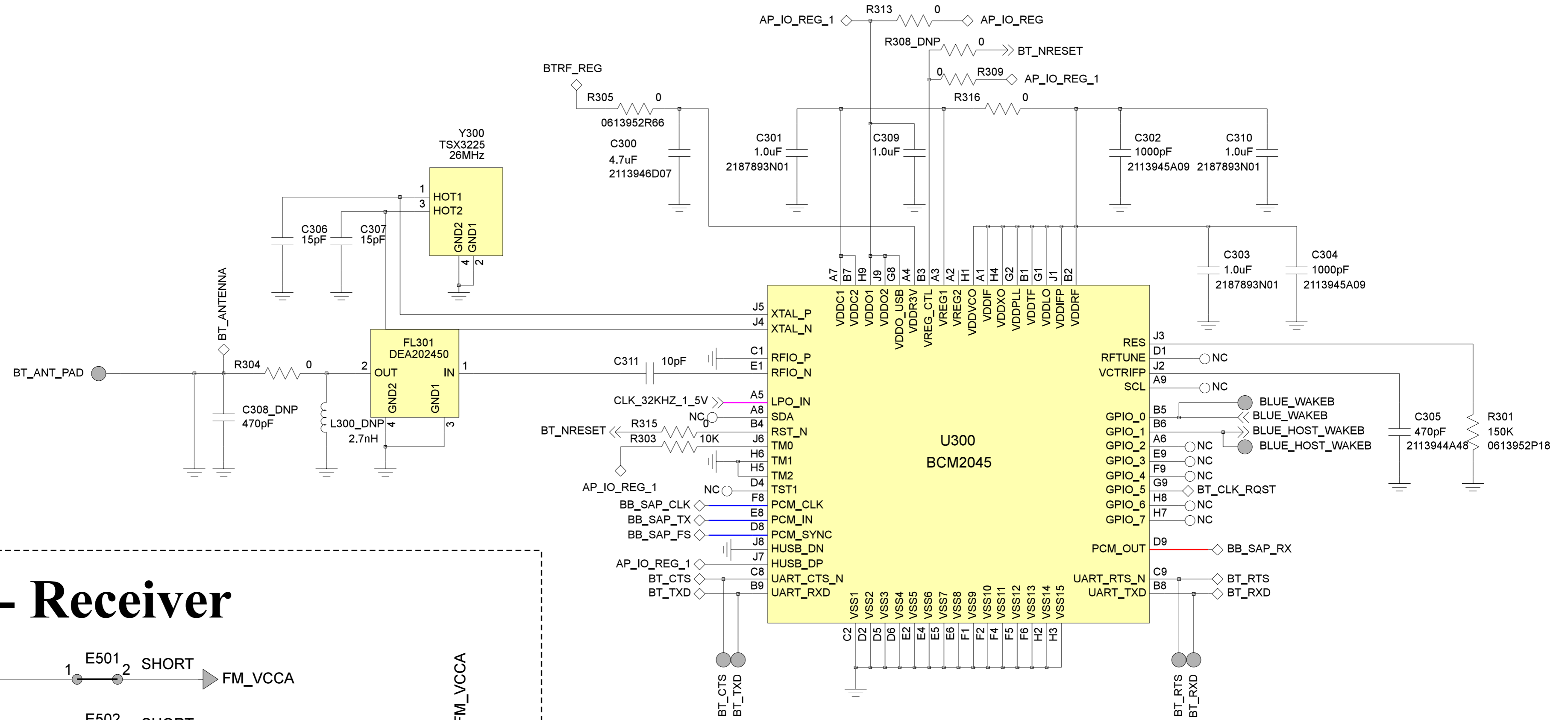
| | |
|------------------------------------|-------------|
| Level 3 Schematics | 2005.11.21 |
| A1200 | Rev. 1.0 |
| Service Engineering & Optimization | 8488428Z01 |
| | Page 2 of 6 |

PDA - PROCESSOR and MEMORY

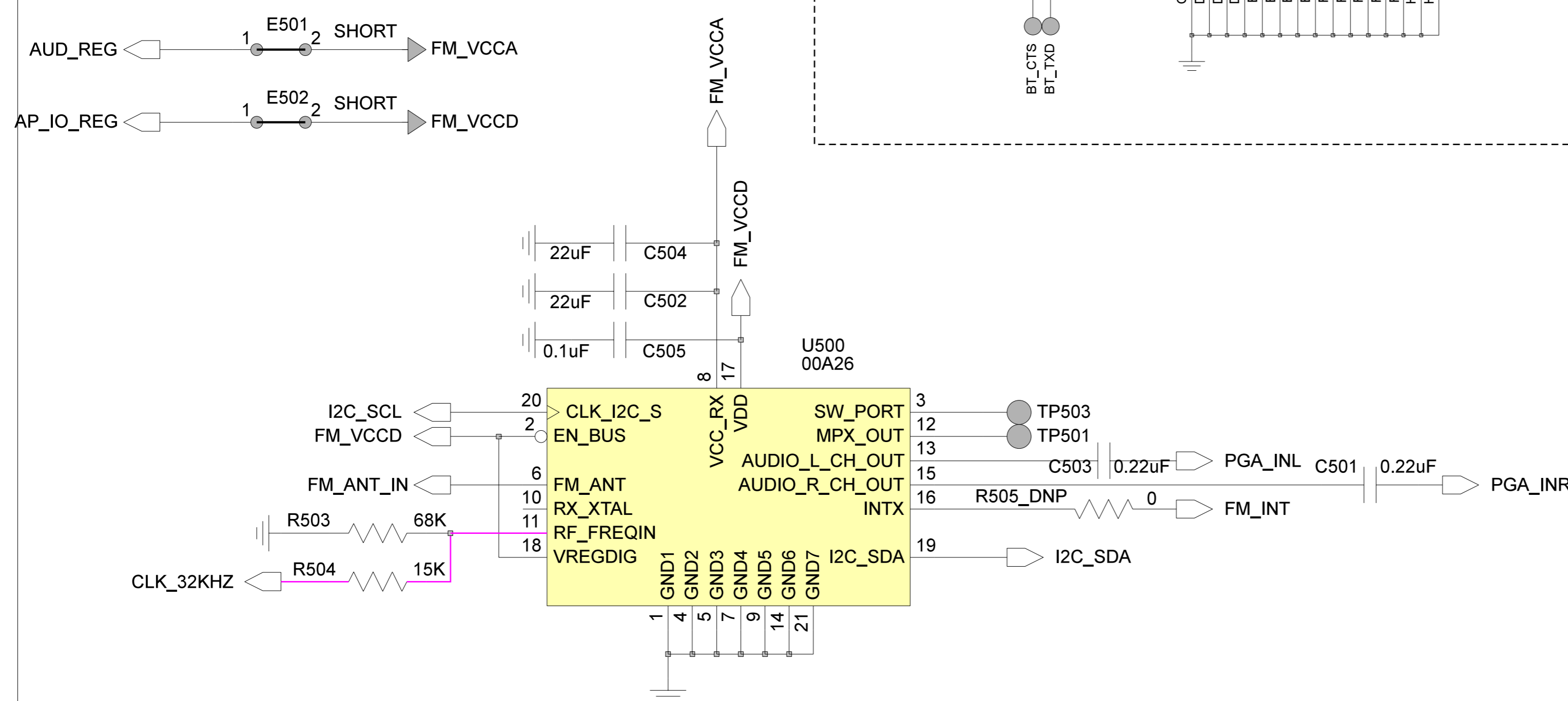


TRANSFLASH CARD READER

BT

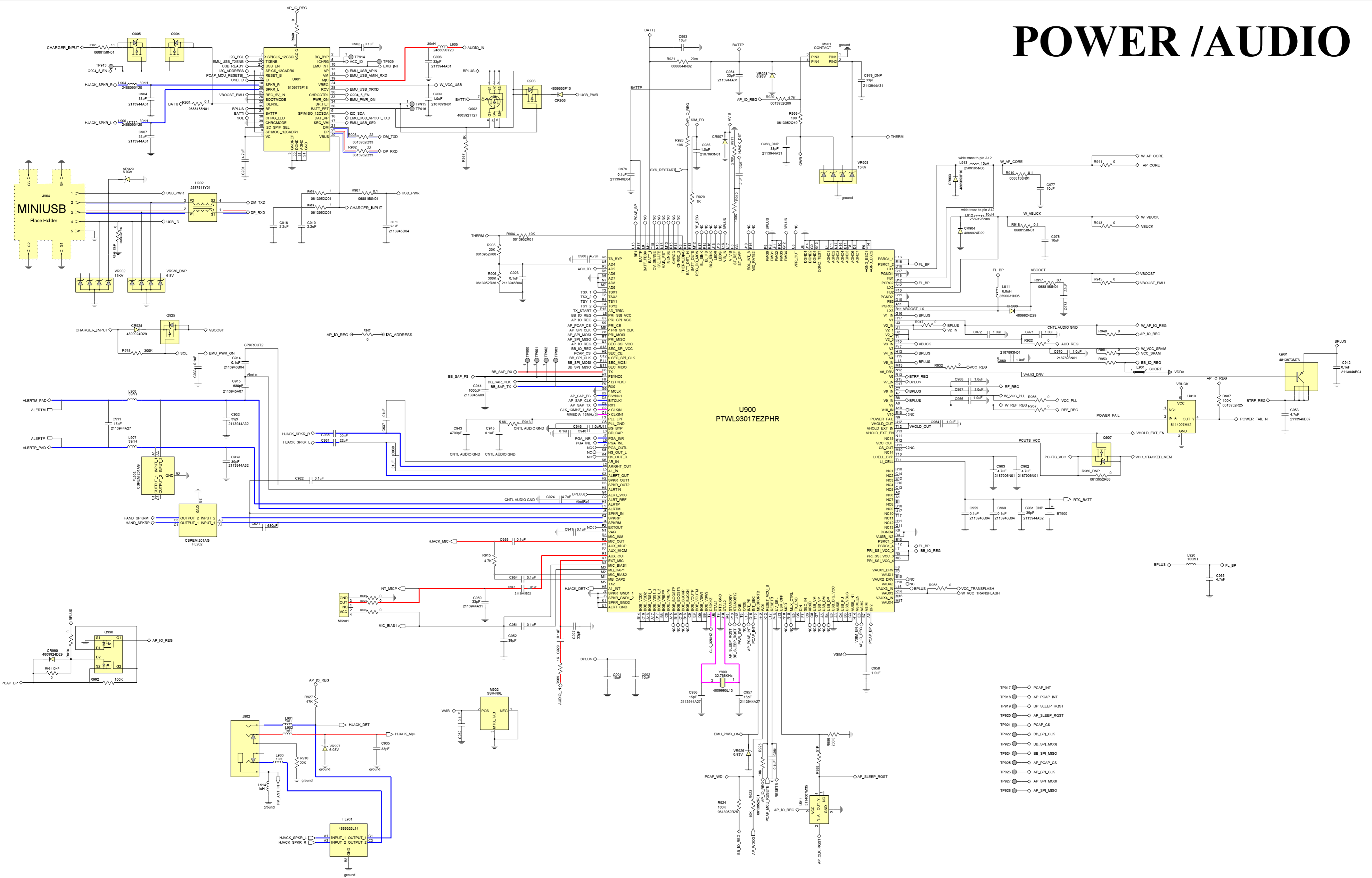


FM - Receiver



A1200_8488428Z01_P05

POWER /AUDIO



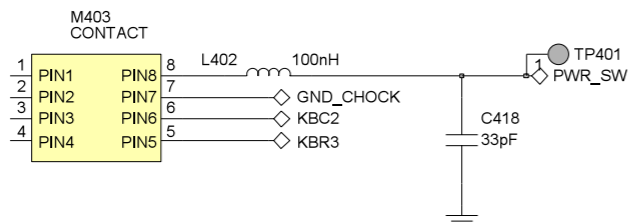
A1200_8488428Z01_P05

Service Engineering & Optimization
Level 3 Authorized

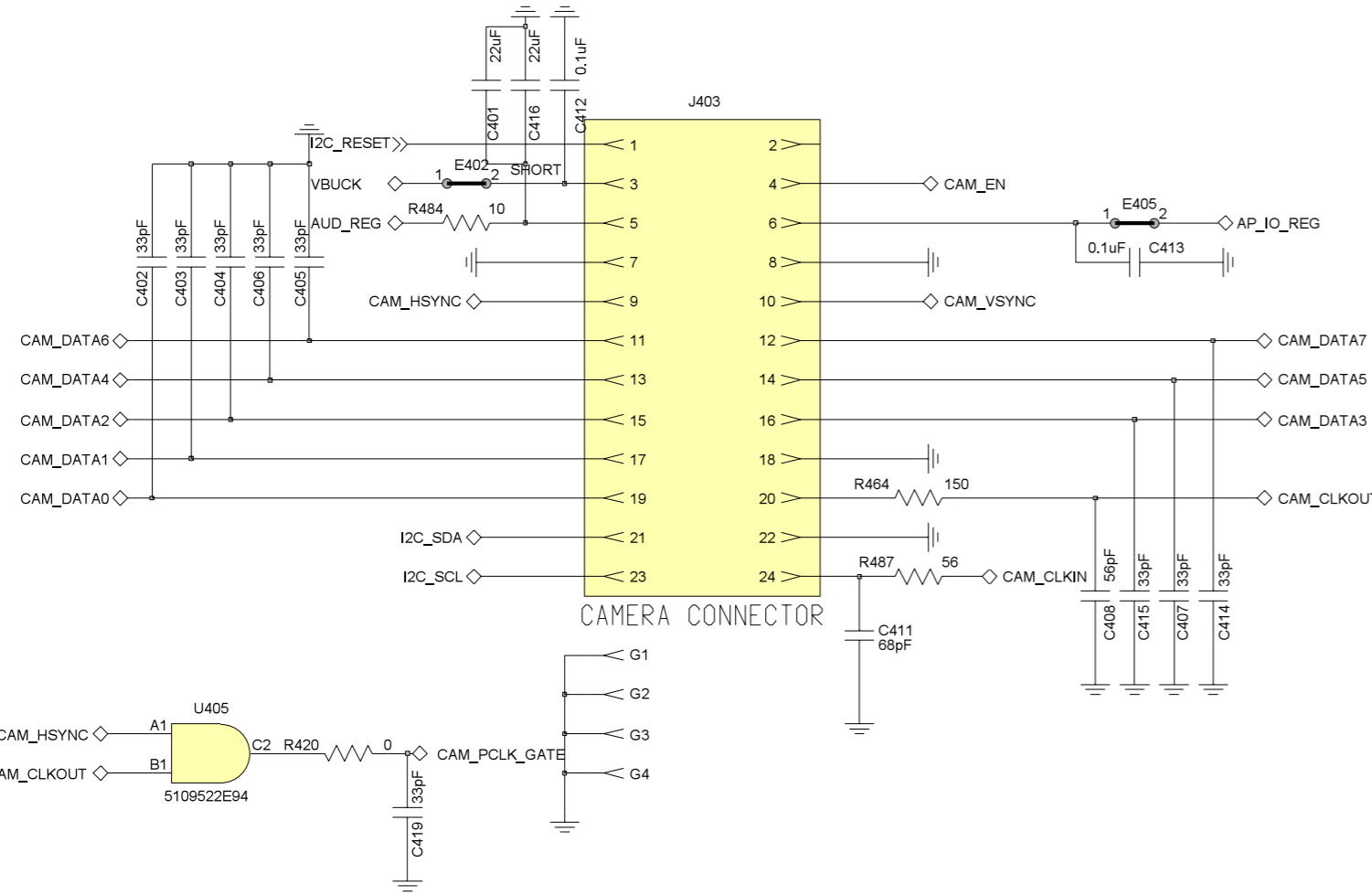
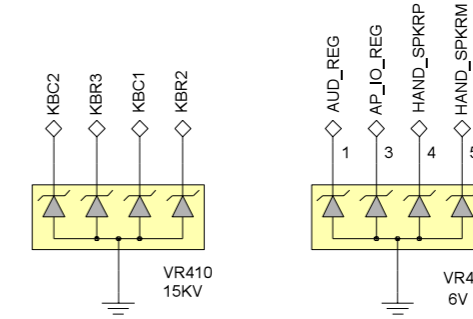
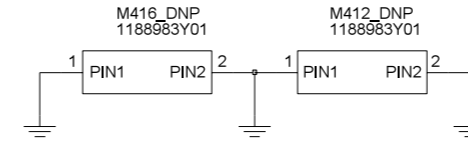
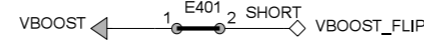
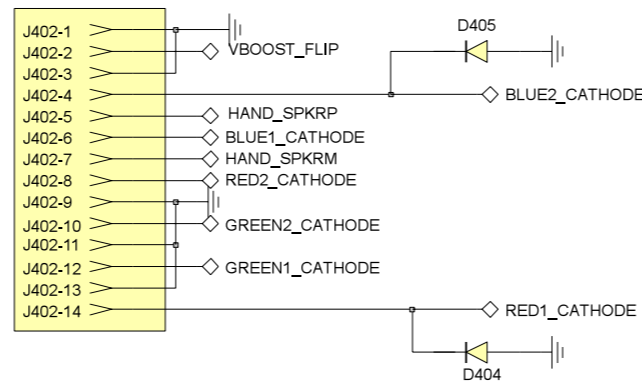
| | |
|------------------------------------|-------------|
| Level 3 Schematics | 2005.11.21 |
| A1200 | Rev. 1.0 |
| Service Engineering & Optimization | 8488428Z01 |
| | Page 4 of 6 |

CONNECTOR

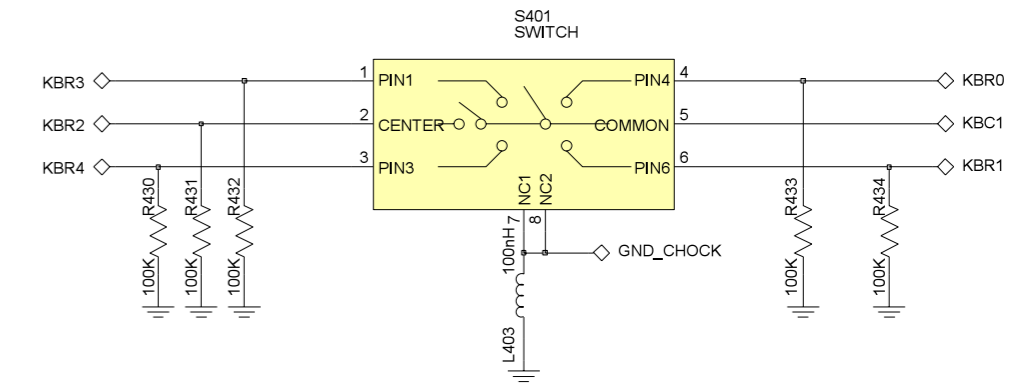
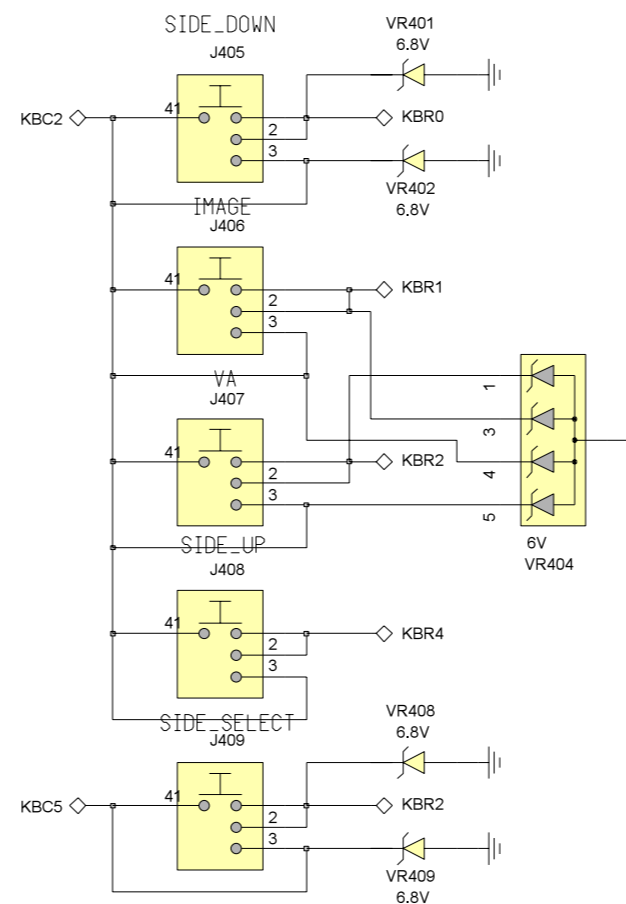
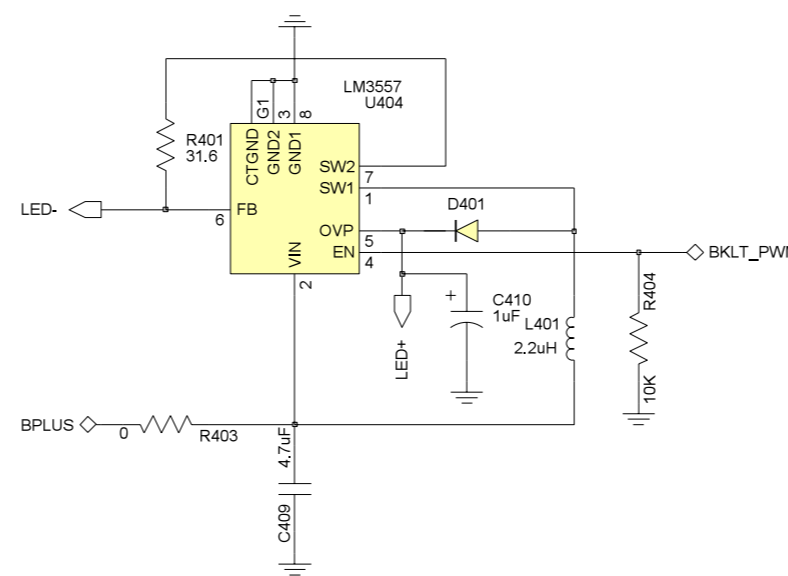
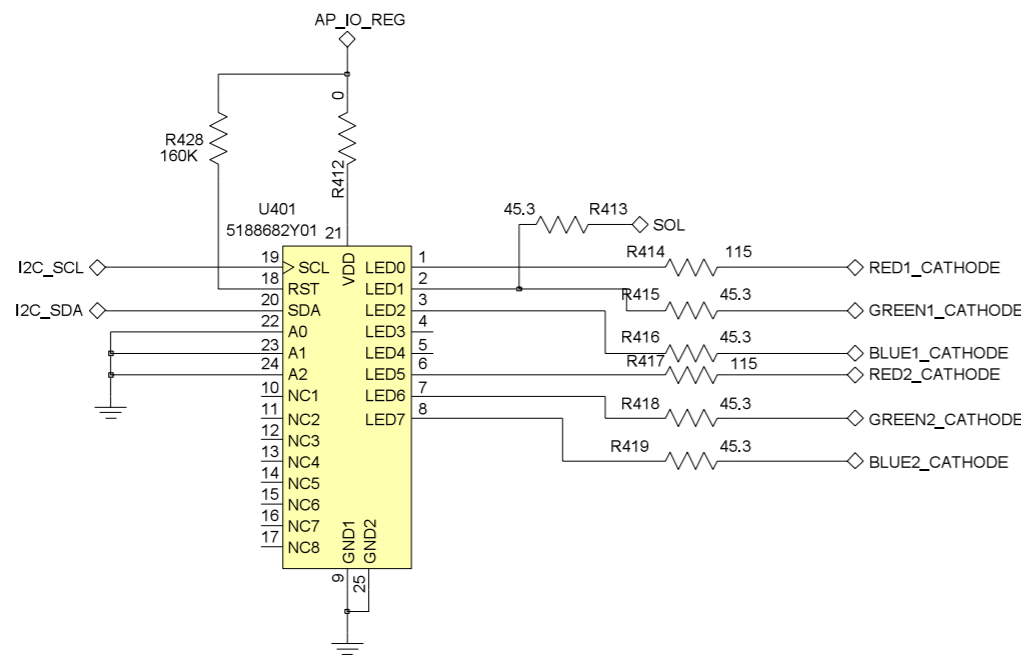
KEYPAD



FLIP



FUNLIGHT CIRCUITRY



2.4" LCD CONNECTOR

