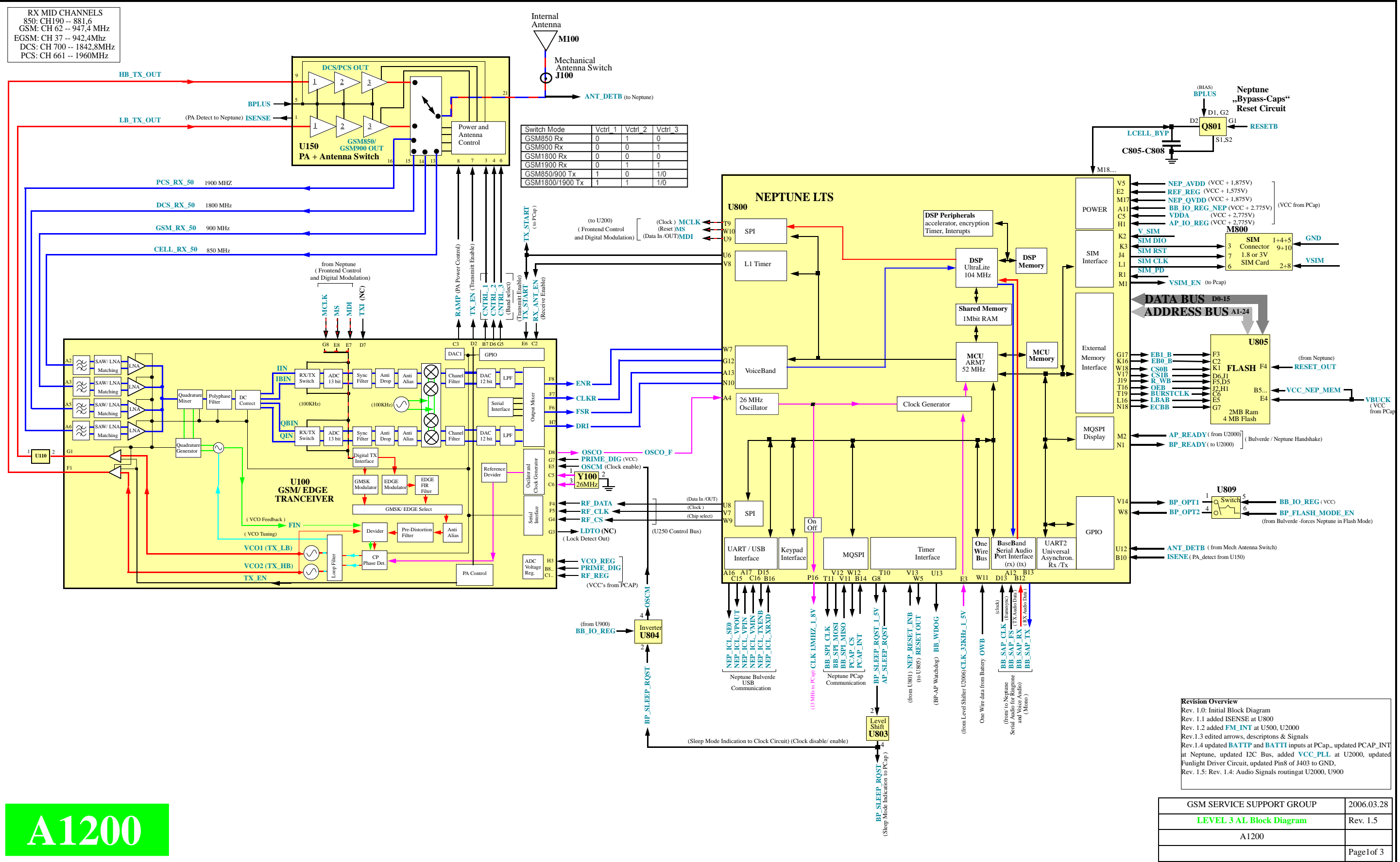


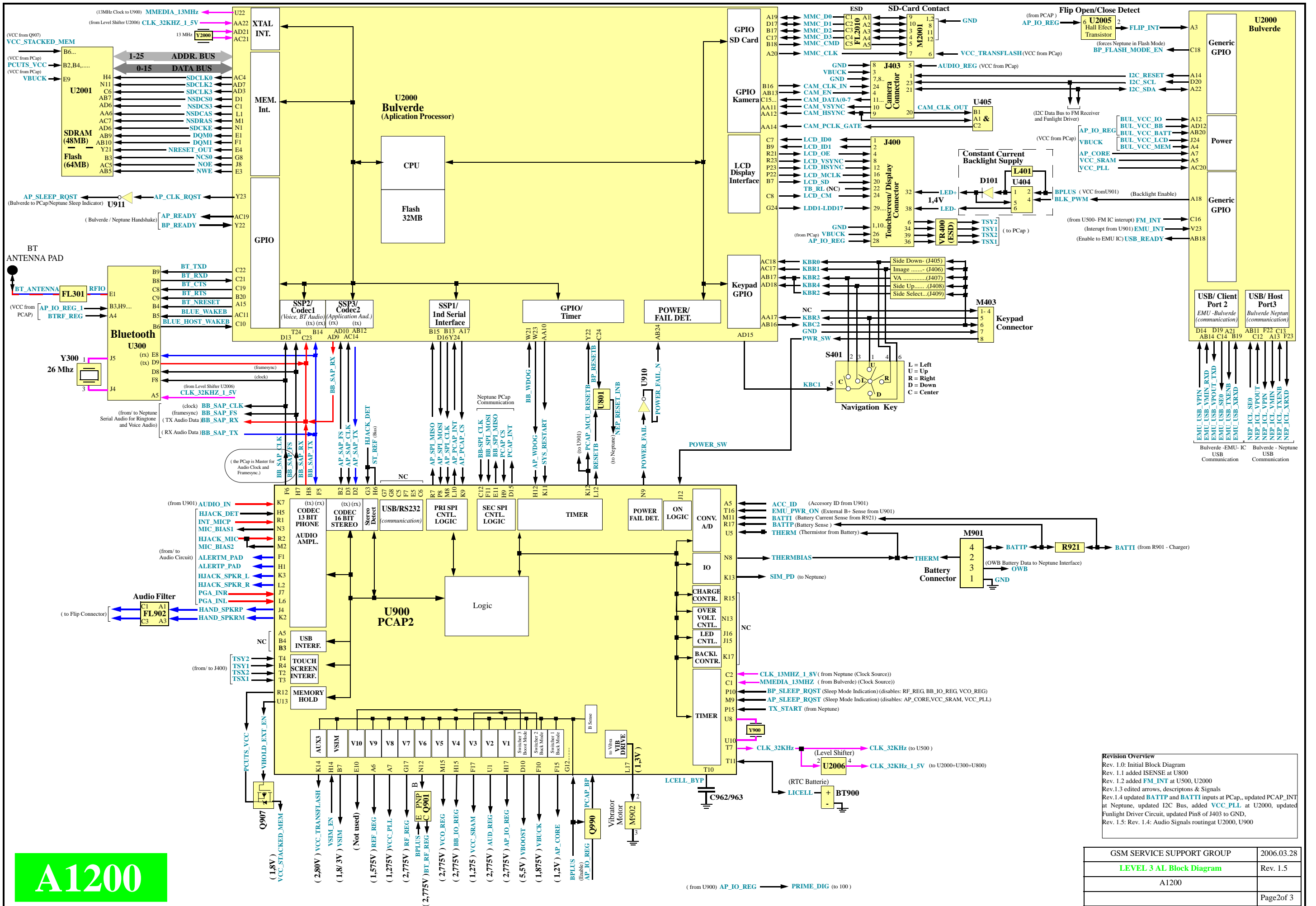
RX MID CHANNELS  
 850: CH190 -- 881,6  
 GSM: CH 62 -- 947,4 MHz  
 EGSM: CH 37 -- 942,4MHz  
 DCS: CH 700 -- 1842,8MHz  
 PCS: CH 661 -- 1960MHz



**A1200**

**Revision Overview**  
 Rev. 1.0: Initial Block Diagram  
 Rev. 1.1 added ISENSE at U800  
 Rev. 1.2 added FM\_INT at U500, U2000  
 Rev. 1.3 edited arrows, descriptors & Signals  
 Rev. 1.4 updated BATT\_P and BATT\_I inputs at PCap., updated PCAP\_INT at Neptune, updated I2C Bus, added VCC\_PLL at U2000, updated Funlight Driver Circuit, updated Pin8 of J403 to GND.  
 Rev. 1.5: Rev. 1.4: Audio Signals routing at U2000, U900

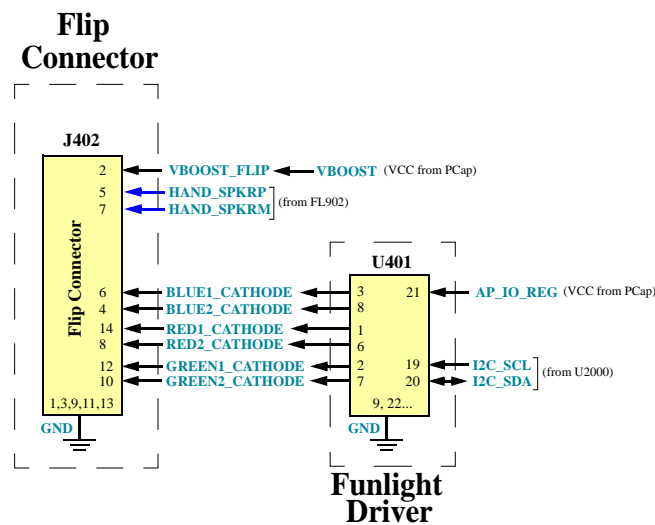
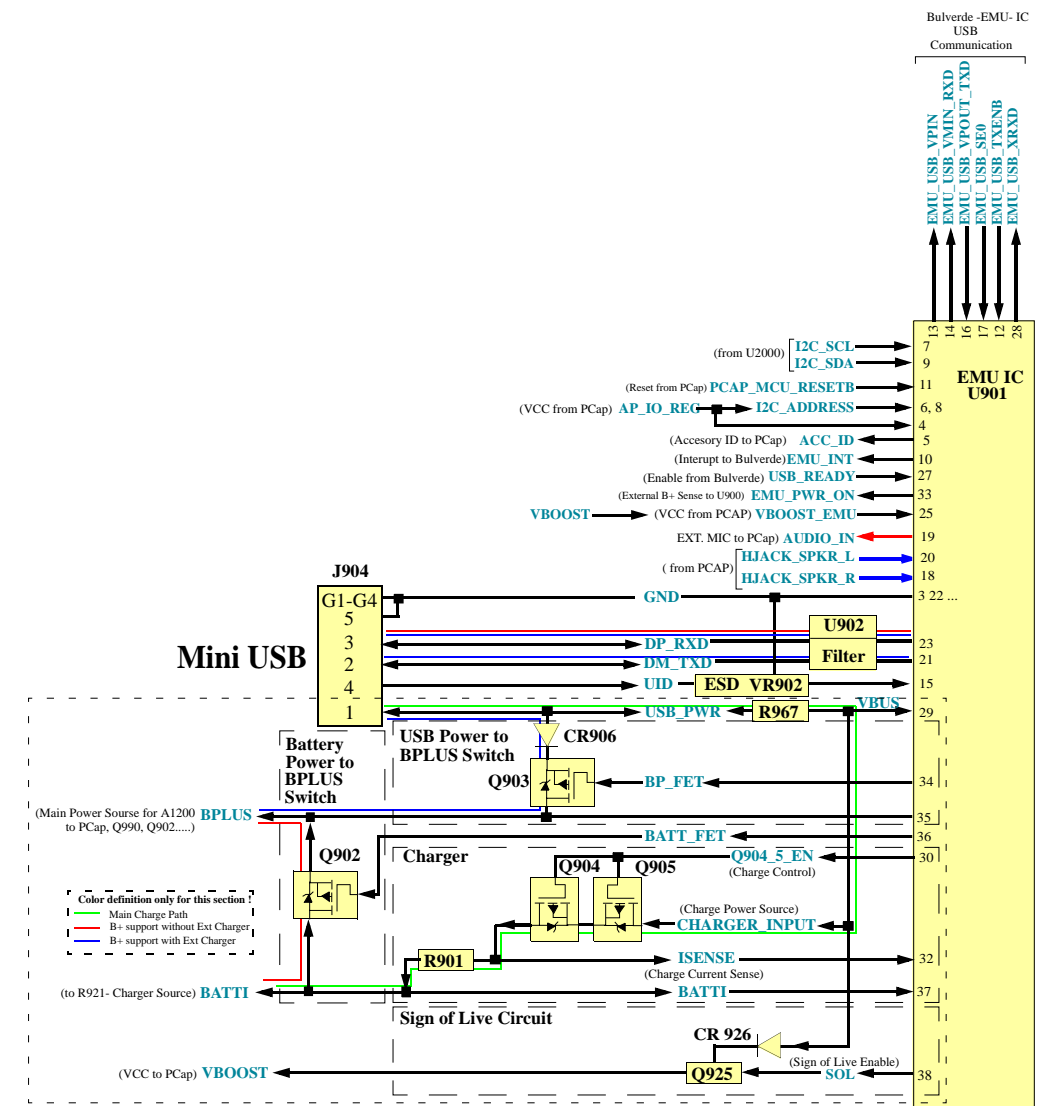
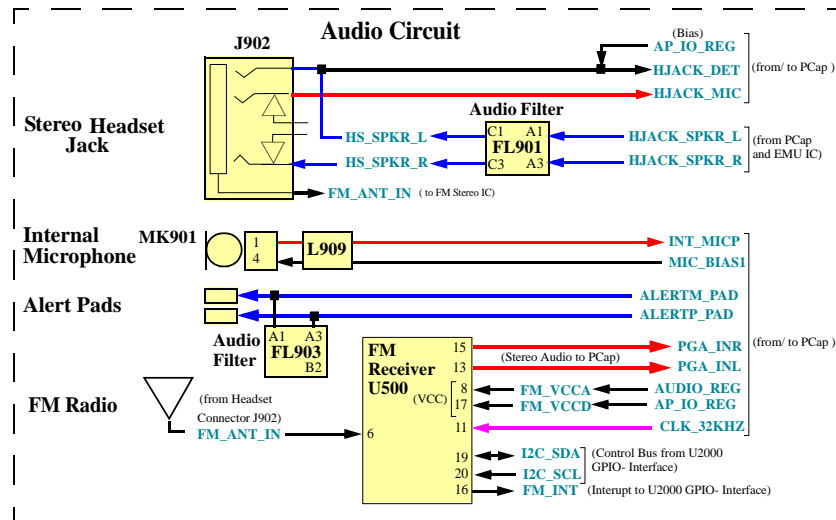
GSM SERVICE SUPPORT GROUP	2006.03.28
LEVEL 3 AL Block Diagram	Rev. 1.5
A1200	
	Page 1 of 3



# A1200

**Revision Overview**  
 Rev. 1.0: Initial Block Diagram  
 Rev. 1.1 added ISENSE at U800  
 Rev. 1.2 added FM\_INT at U500, U2000  
 Rev. 1.3 edited arrows, descriptions & Signals  
 Rev. 1.4 updated BATTP and BATTI inputs at PCAP, updated PCAP\_INT at Neptune, updated I2C Bus, added VCC\_PLL at U2000, updated Funlight Driver Circuit, updated Pin8 of J403 to GND.  
 Rev. 1.5: Rev. 1.4: Audio Signals routing at U2000, U900

GSM SERVICE SUPPORT GROUP	2006.03.28
LEVEL 3 AL Block Diagram	Rev. 1.5
A1200	
	Page2of 3



**Revision Overview**

- Rev. 1.0: Initial Block Diagram
- Rev. 1.1 added ISENSE at U800
- Rev. 1.2 added FM\_INT at U500, U2000
- Rev.1.3 edited arrows, descriptions & Signals
- Rev.1.4 updated BATTI and BATTI inputs at PCap., updated PCAP\_INT at Neptune, updated I2C Bus, added VCC\_PLL at U2000, updated Funlight Driver Circuit, updated Pin8 of J403 to GND.
- Rev. 1.5: Rev. 1.4: Audio Signals routing at U2000, U900

GSM SERVICE SUPPORT GROUP	2006.03.28
LEVEL 3 AL Block Diagram	Rev. 1.4
A1200	
	Page3of 3

**A1200**