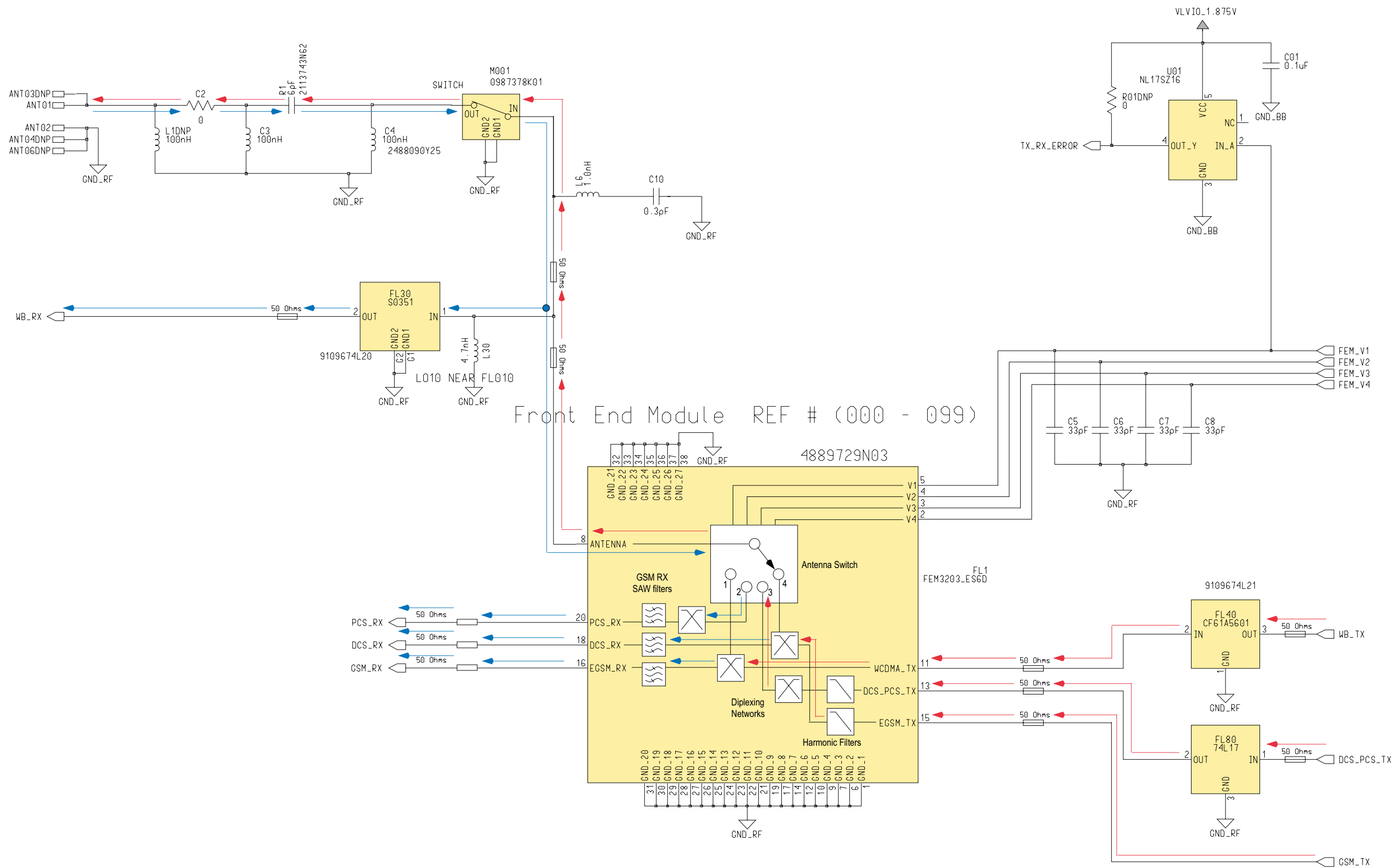
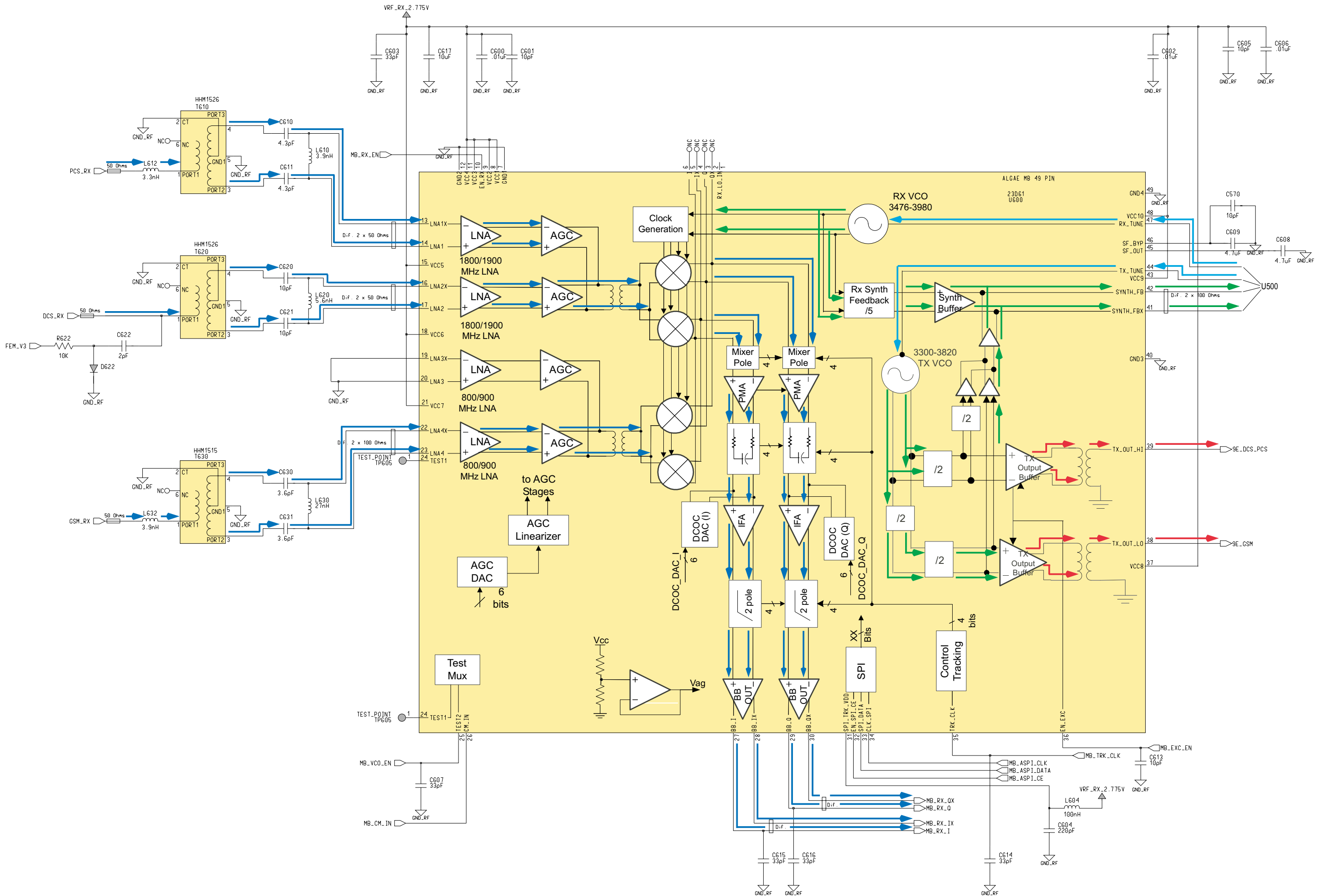
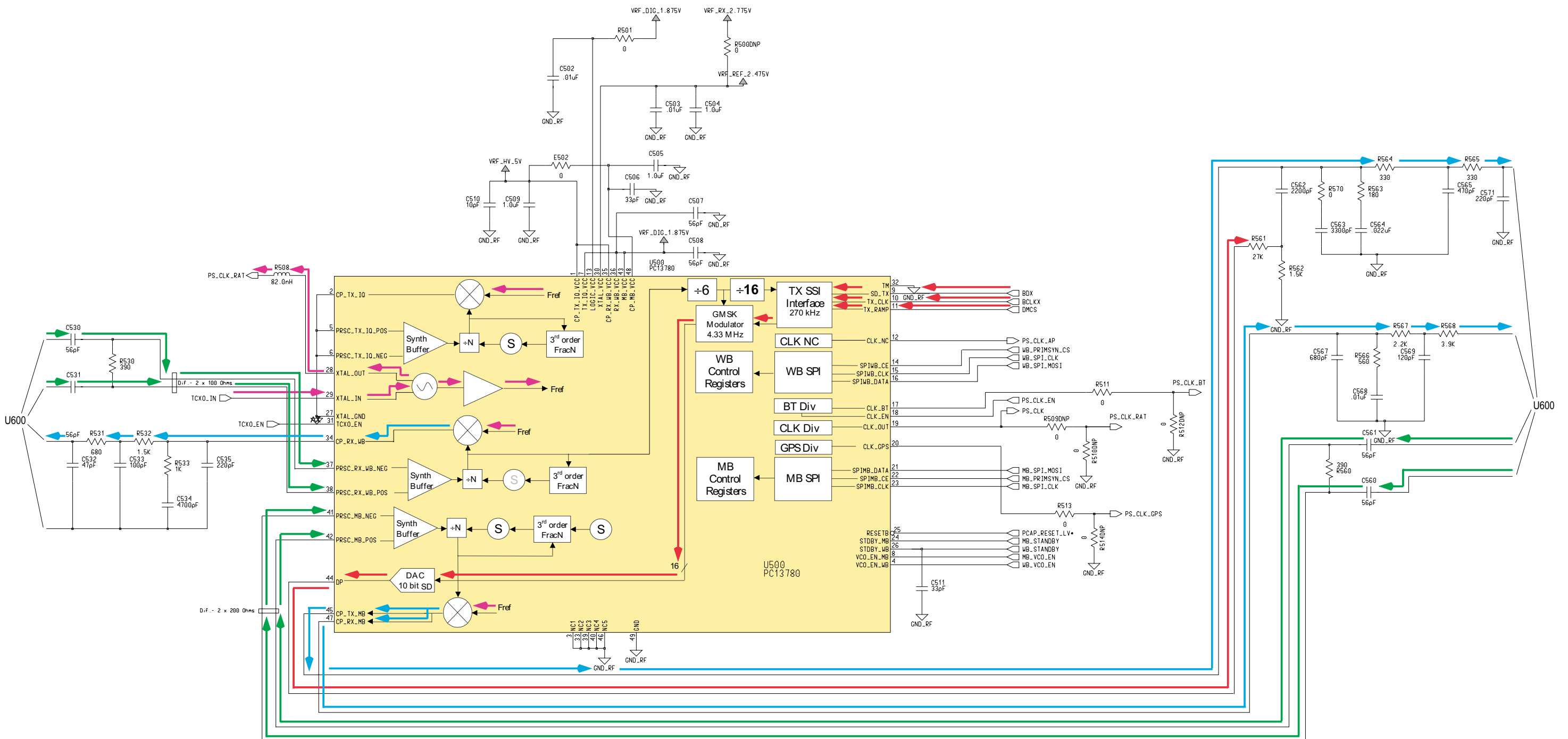


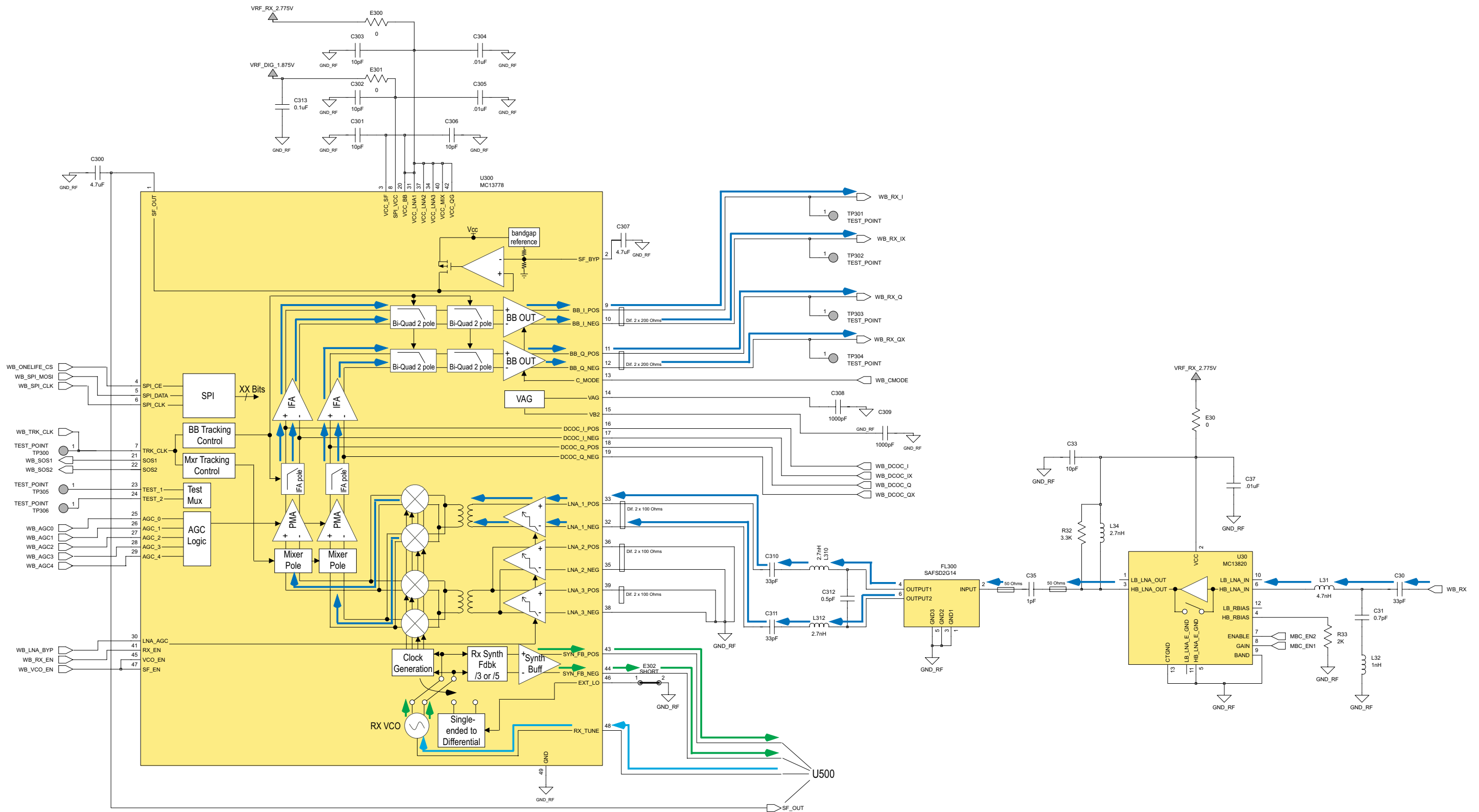
A1000 - Front End Module (FEM)

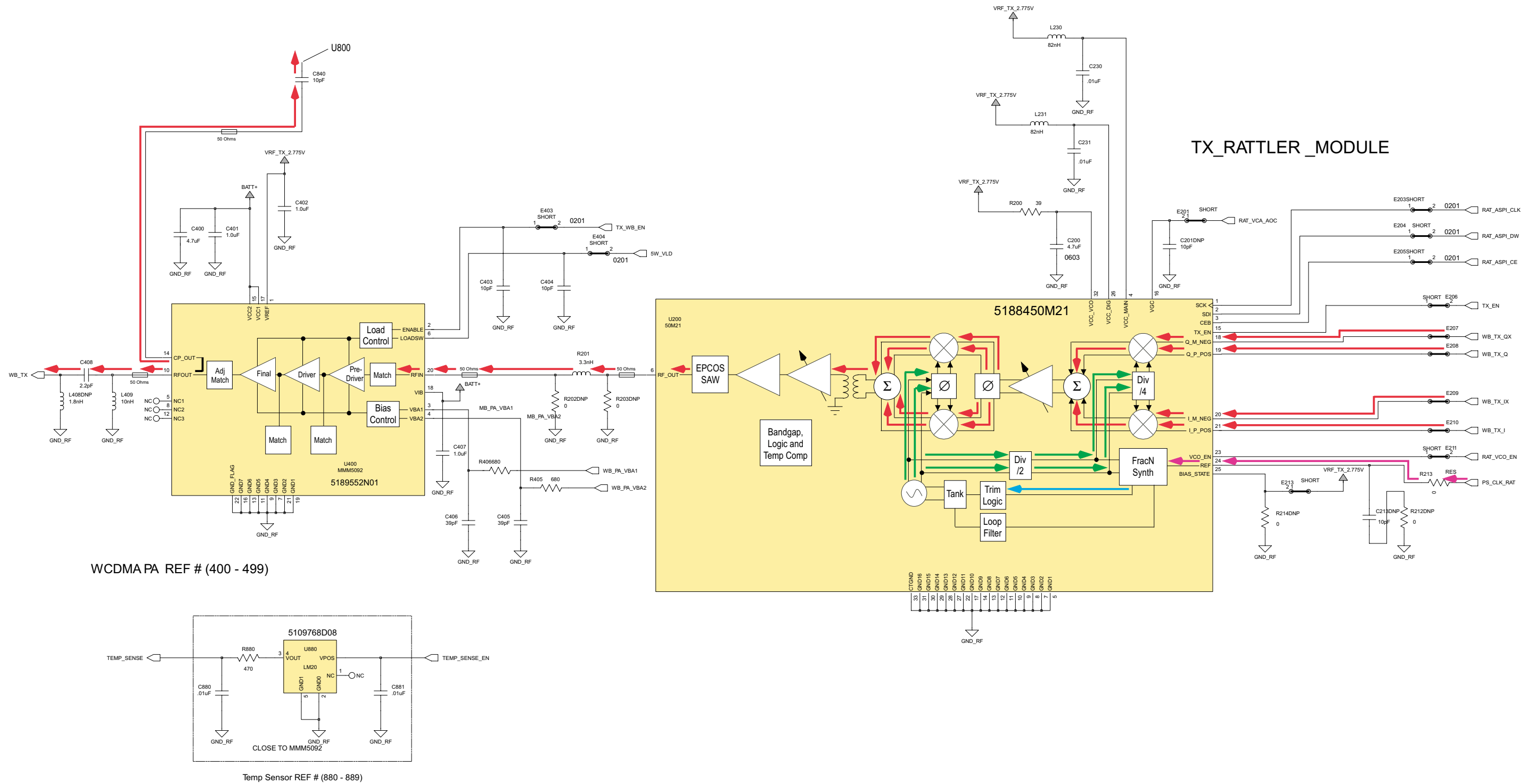
PCB - 8488485N02 Iss. A

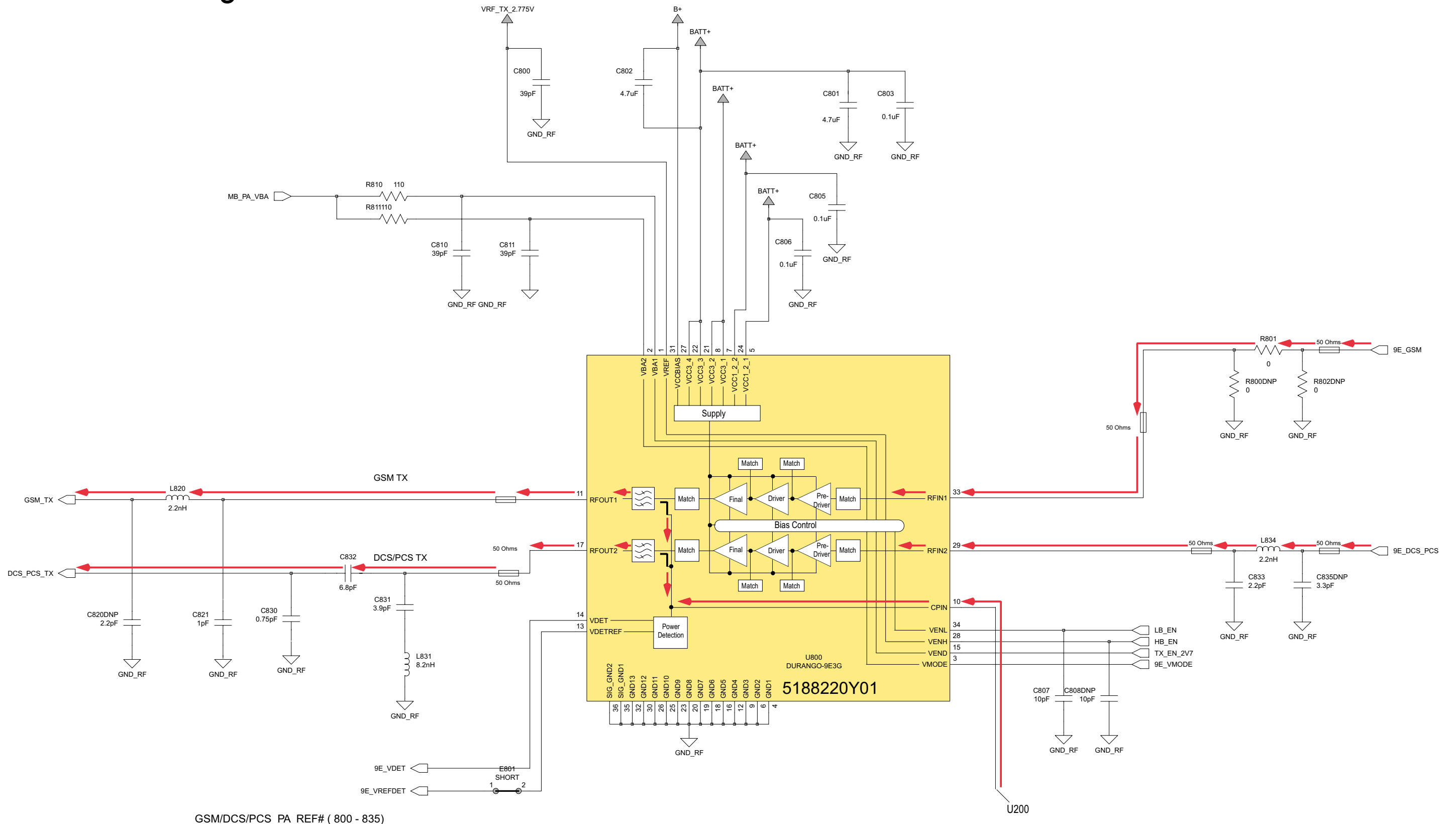












GSM/DCS/PCS PA REF# (800 - 835)