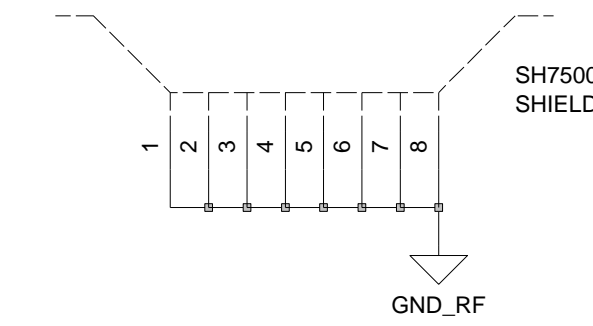


MOTOROLA CONFIDENTIAL PROPRIETARY

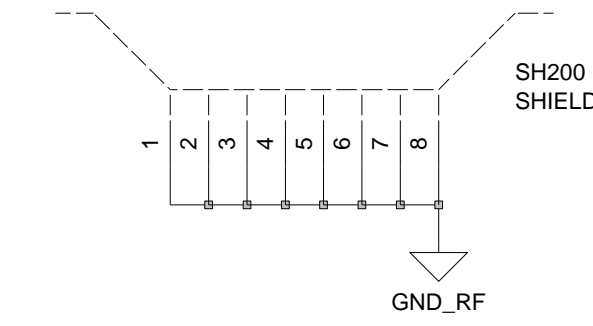
# Baseband

# RF

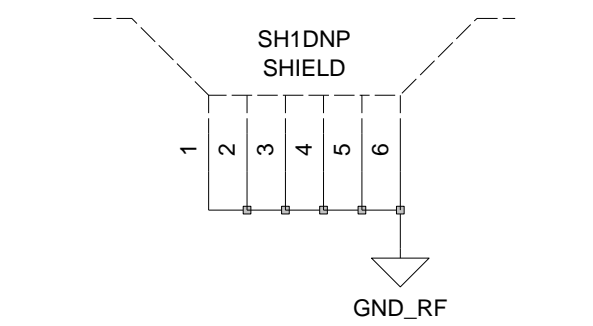
A



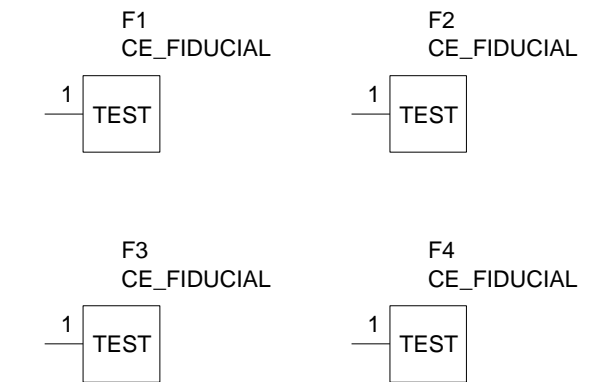
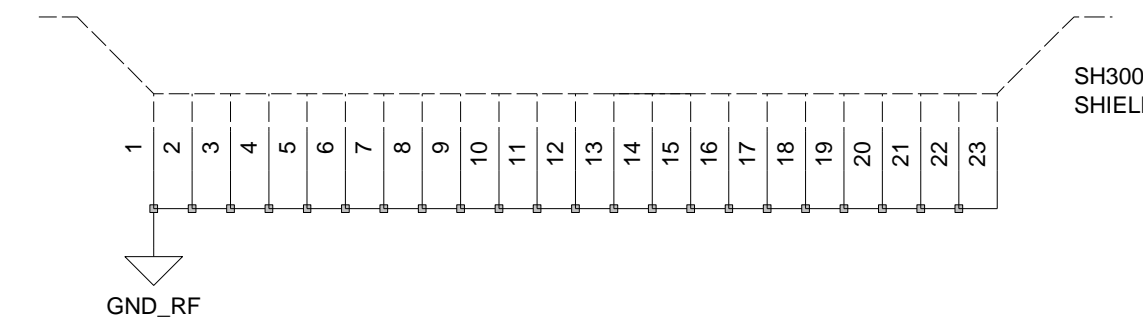
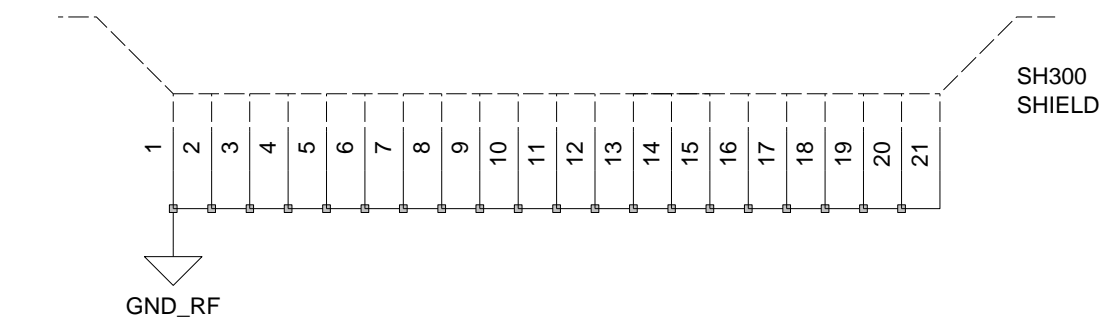
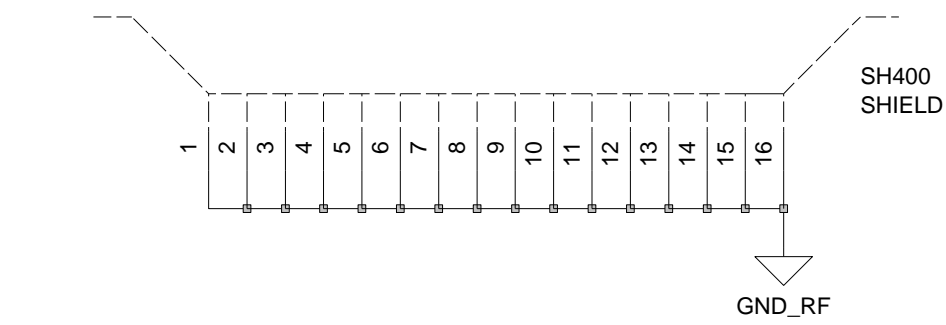
B



C

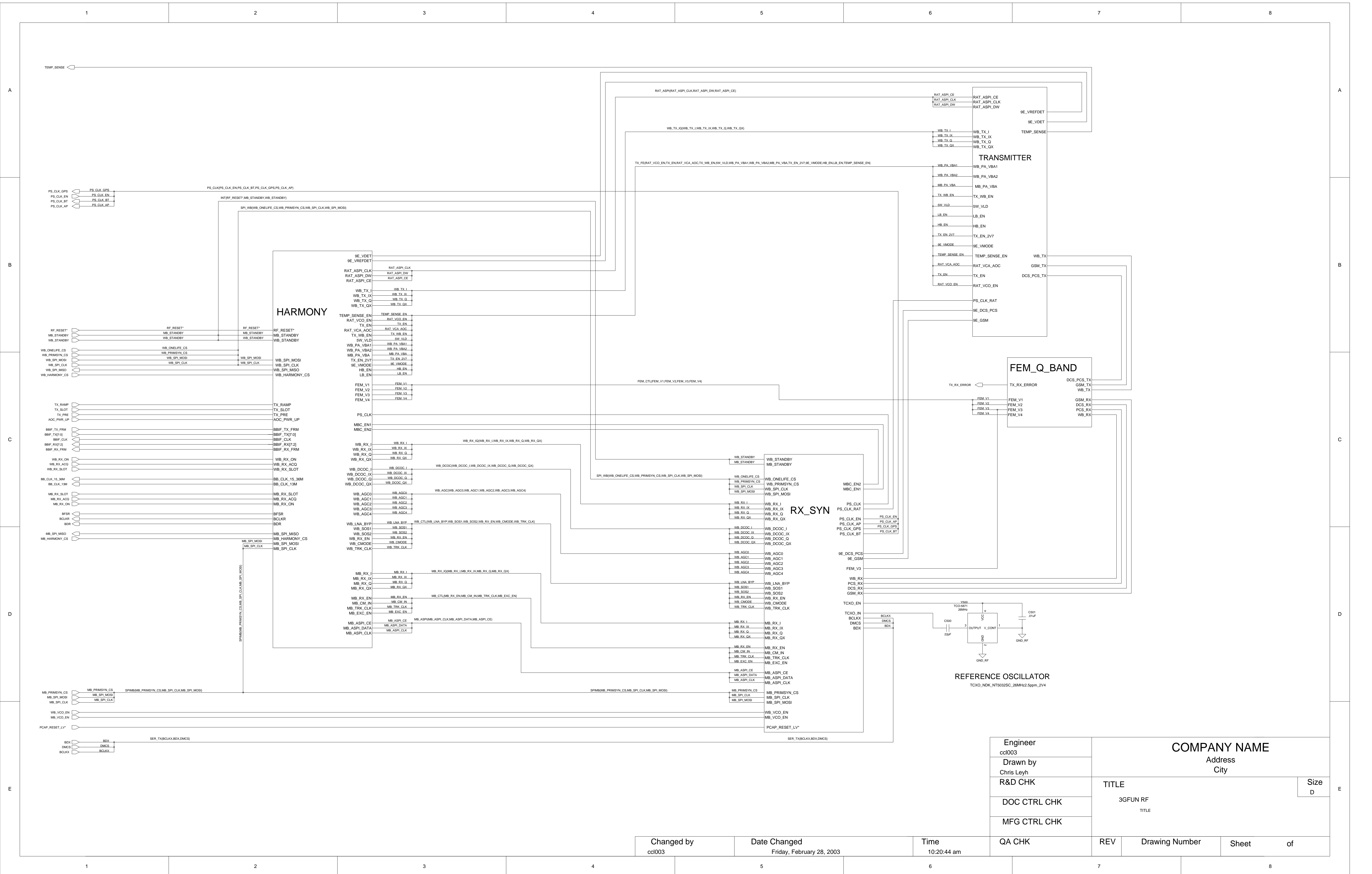


D



BB_CLK_13M	BB_CLK_13M	BB_CLK_13M
BB_CLK_15_36M	BB_CLK_15_36M	BB_CLK_15_36M
WB_STANDBY	WB_STANDBY	WB_STANDBY
MB_STANDBY	MB_STANDBY	MB_STANDBY
WB_VCO_EN	WB_VCO_EN	WB_VCO_EN
MB_VCO_EN	MB_VCO_EN	MB_VCO_EN
BBIF_CLK	BBIF_CLK	BBIF_CLK
BBIF_RX[7:2]	BBIF_RX[7:2]	BBIF_RX[7:2]
BBIF_RX_FRM	BBIF_RX_FRM	BBIF_RX_FRM
BBIF_TX[7:0]	BBIF_TX[7:0]	BBIF_TX[7:0]
BBIF_TX_FRM	BBIF_TX_FRM	BBIF_TX_FRM
BCLKR	BCLKR	BCLKR
BDR	BDR	BDR
BFSR	BFSR	BFSR
BCLKX	BCLKX	BCLKX
BDX	BDX	BDX
BFSX		
WB_SPI_CLK	WB_SPI_CLK	WB_SPI_CLK
WB_SPI_MOSI	WB_SPI_MOSI	WB_SPI_MOSI
WB_SPI_MISO	WB_SPI_MISO	WB_SPI_MISO
WB_HARMONY_CS	WB_HARMONY_CS	WB_HARMONY_CS
WB_PRIMSYN_CS	WB_PRIMSYN_CS	WB_PRIMSYN_CS
WB_ONELIFE_CS	WB_ONELIFE_CS	WB_ONELIFE_CS
MB_SPI_CLK	MB_SPI_CLK	MB_SPI_CLK
MB_SPI_MOSI	MB_SPI_MOSI	MB_SPI_MOSI
MB_SPI_MISO	MB_SPI_MISO	MB_SPI_MISO
MB_HARMONY_CS	MB_HARMONY_CS	MB_HARMONY_CS
MB_PRIMSYN_CS	MB_PRIMSYN_CS	MB_PRIMSYN_CS
WB_RX_SLOT	WB_RX_SLOT	WB_RX_SLOT
WB_RX_ACQ	WB_RX_ACQ	WB_RX_ACQ
WB_RX_ON	WB_RX_ON	WB_RX_ON
MB_RX_ON	MB_RX_ON	MB_RX_ON
MB_RX_ACQ	MB_RX_ACQ	MB_RX_ACQ
MB_RX_SLOT	MB_RX_SLOT	MB_RX_SLOT
DMCS	DMCS	DMCS
TX_PRE	TX_PRE	TX_PRE
TX_RAMP	TX_RAMP	TX_RAMP
TX_SLOT	TX_SLOT	TX_SLOT
TX_RX_ERROR	TX_RX_ERROR	TX_RX_ERROR
PS_CLK_EN	PS_CLK_EN	PS_CLK_EN
PS_CLK_BT	PS_CLK_BT	PS_CLK_BT
PS_CLK_AP	PS_CLK_AP	PS_CLK_AP
PS_CLK_GPS	PS_CLK_GPS	PS_CLK_GPS
AOC_PWR_UP	AOC_PWR_UP	AOC_PWR_UP
PCAP_RESET_LV*	PCAP_RESET_LV*	PCAP_RESET_LV*
RF_RESET*	RF_RESET*	RF_RESET*
TEMP_SENSE	TEMP_SENSE	TEMP_SENSE

Engineer:	MOTOROLA INC.		
Drawn by:	TITLE: _____ Size: _____		
R&D CHK:	MFG CTRL CHK:		Of: _____
DOC CTRL CHK:	REV: _____	Drawing Number: _____	Page: _____
QA CHK:	Date: _____		Time: _____



Engineer ccl003	<b>COMPANY NAME</b> Address City	TITLE 3GFUN RF TITLE	Size D
Drawn by Chris Layh R&D CHK			
DOC CTRL CHK			
MFG CTRL CHK			

QA CHK	REV	Drawing Number	Sheet	of
--------	-----	----------------	-------	----

Changed by: ccl003  
 Date Changed: Friday, February 28, 2003  
 Time: 10:20:44 am

# HARMONY Sections

A

B

C

D

E

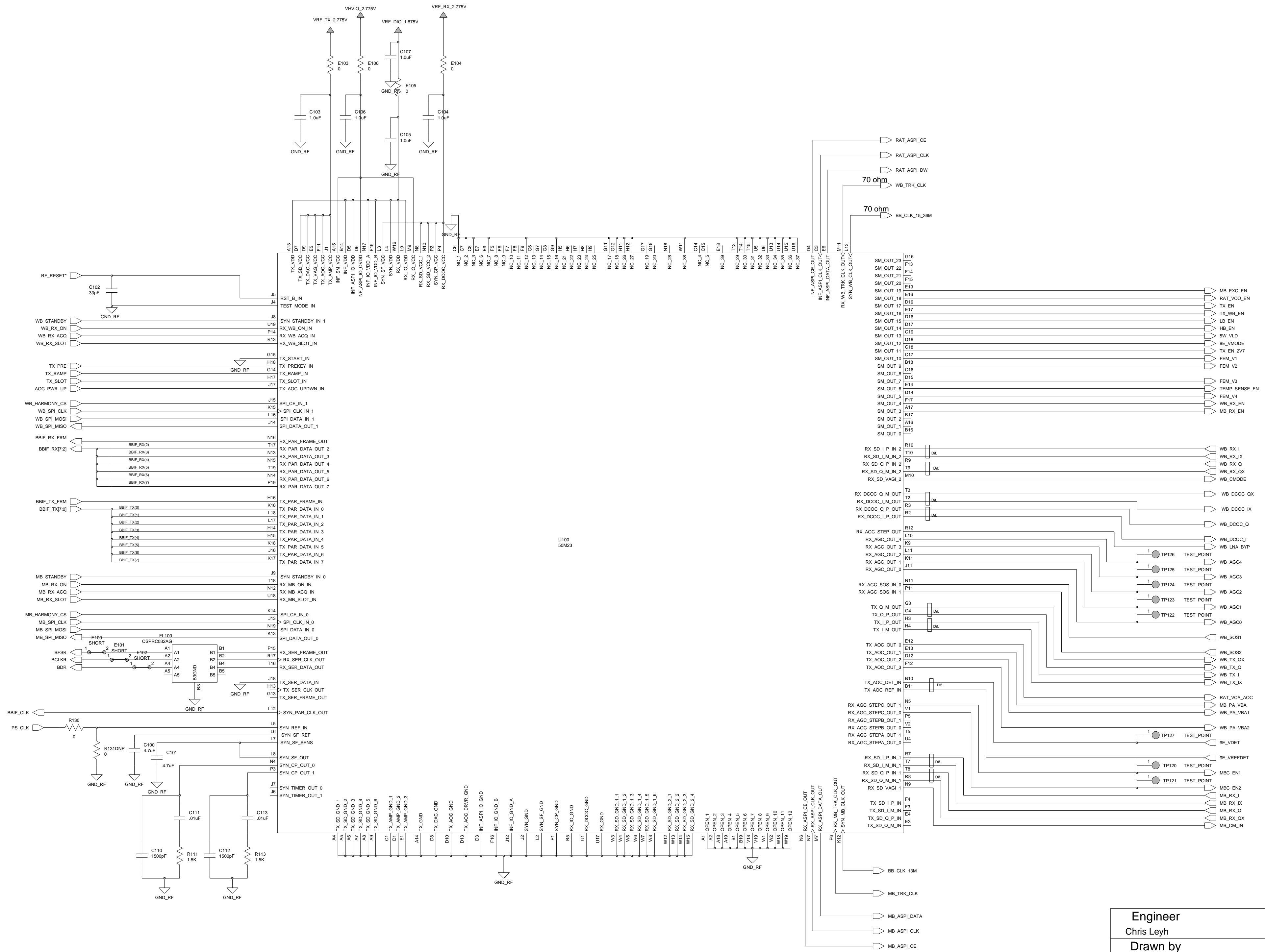
A

B

C

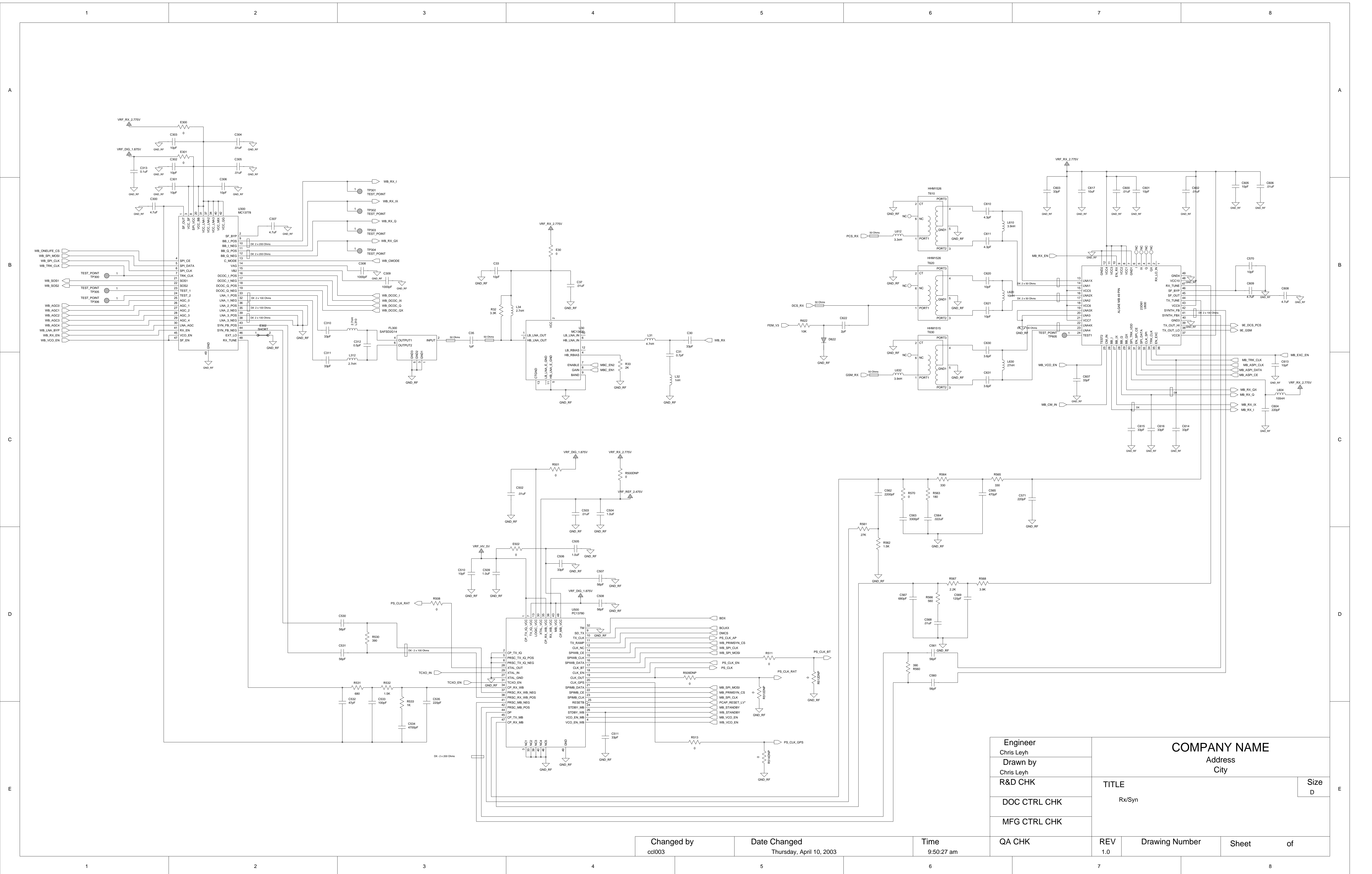
D

E



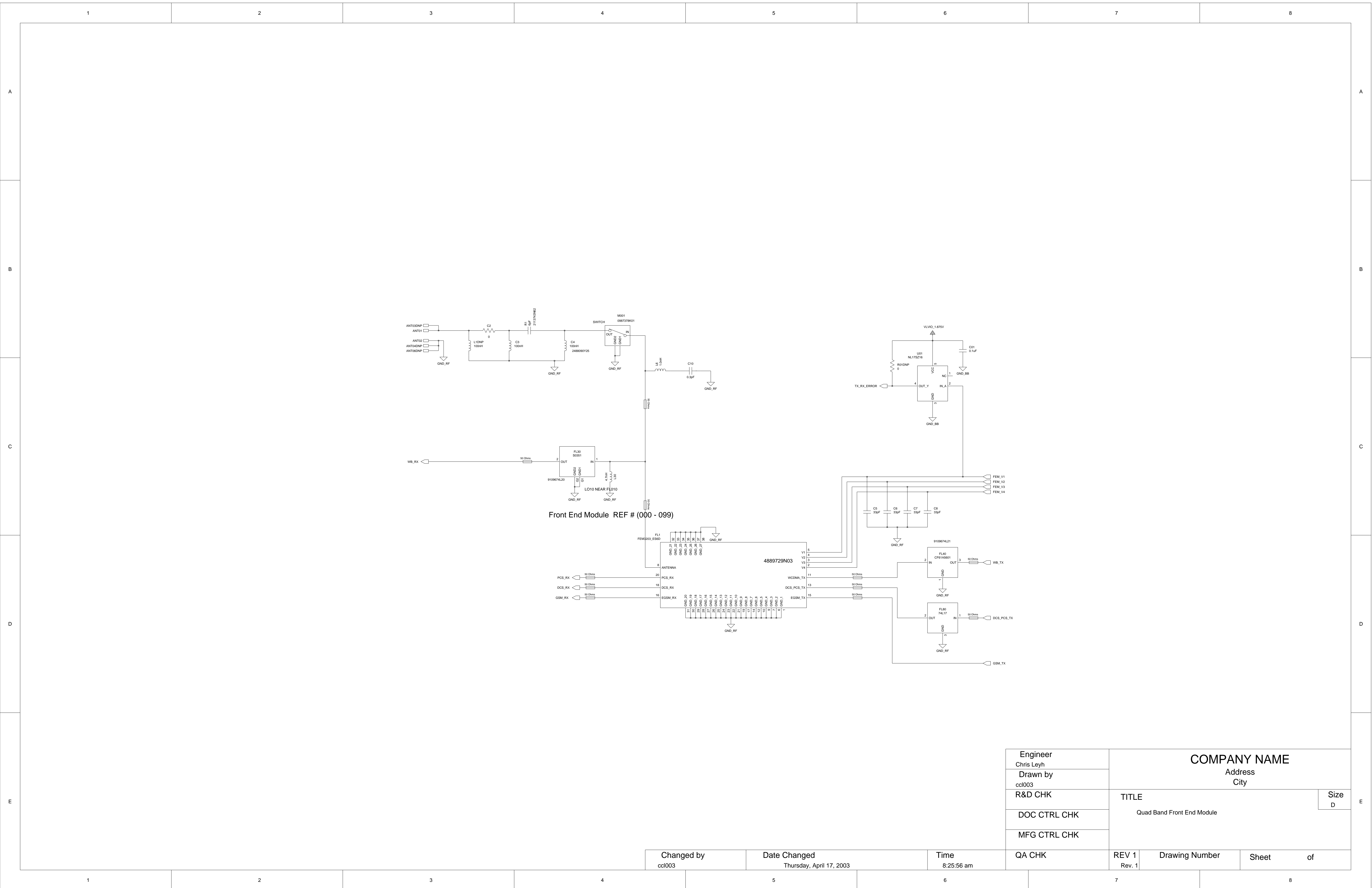
Engineer Chris Leyh	COMPANY NAME Address City		
Drawn by ccl003			
R&D CHK	TITLE HARMONY	Size D	
DOC CTRL CHK			
MFG CTRL CHK			
QA CHK	REV 1	Drawing Number	Sheet of

Changed by ccl003	Date Changed Thursday, April 17, 2003	Time 12:06:46 pm
----------------------	--	---------------------



Engineer Chris Leyh	<b>COMPANY NAME</b> Address City		
Drawn by Chris Leyh			
R&D CHK	TITLE Rx/Syn	Size D	
DOC CTRL CHK	REV 1.0	Drawing Number	Sheet of
MFG CTRL CHK	QA CHK	Time 9:50:27 am	

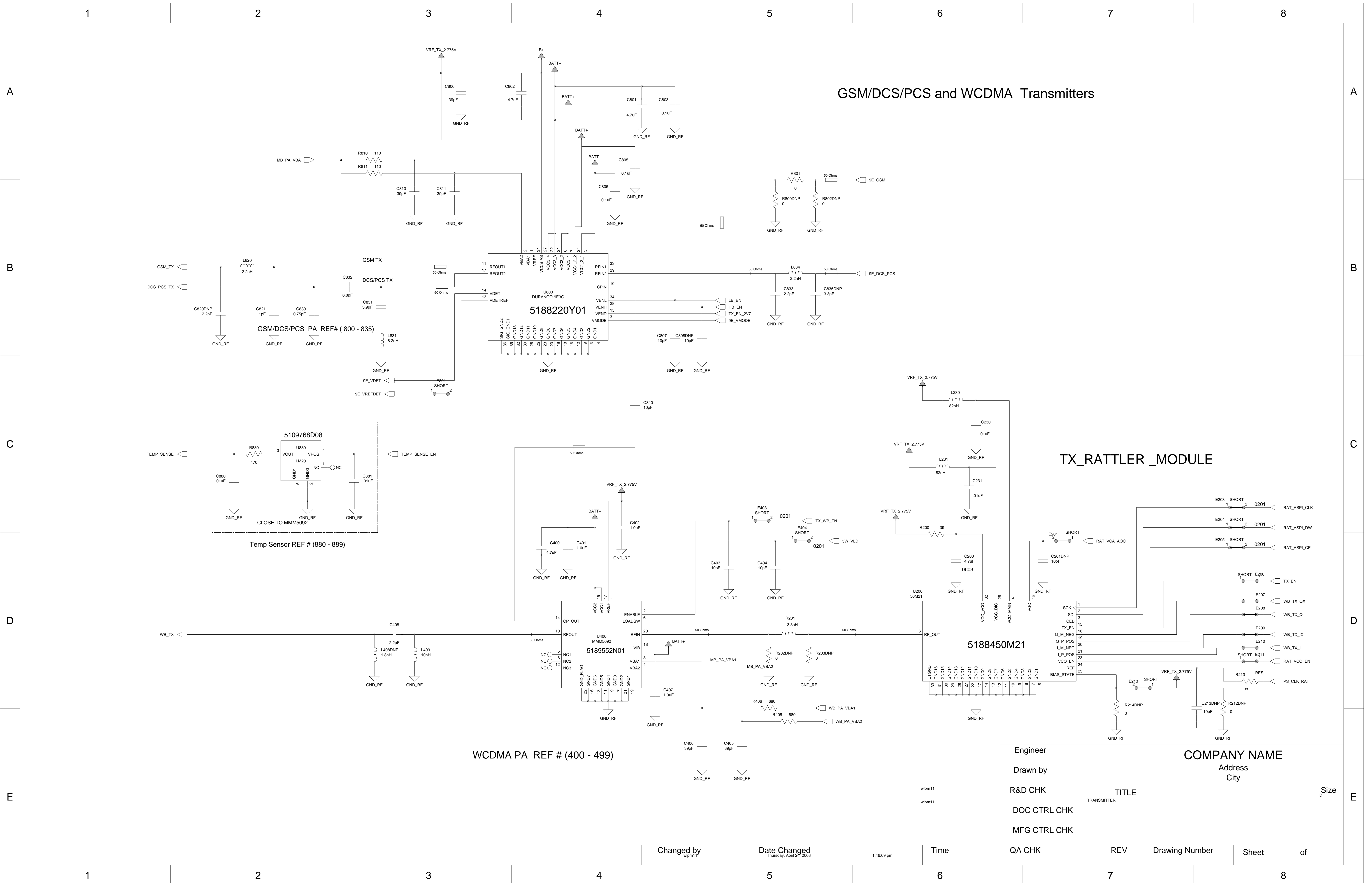
Changed by ccl003	Date Changed Thursday, April 10, 2003	Time 9:50:27 am
----------------------	--	--------------------



Front End Module REF # (000 - 099)

Engineer Chris Leyh	COMPANY NAME Address City		
Drawn by ccl003			
R&D CHK	TITLE Quad Band Front End Module	Size D	
DOC CTRL CHK			
MFG CTRL CHK			
QA CHK	REV 1	Drawing Number	Sheet of

Changed by ccl003	Date Changed Thursday, April 17, 2003	Time 8:25:56 am
----------------------	--	--------------------



GSM/DCS/PCS and WCDMA Transmitters

TX\_RATTLER\_MODULE

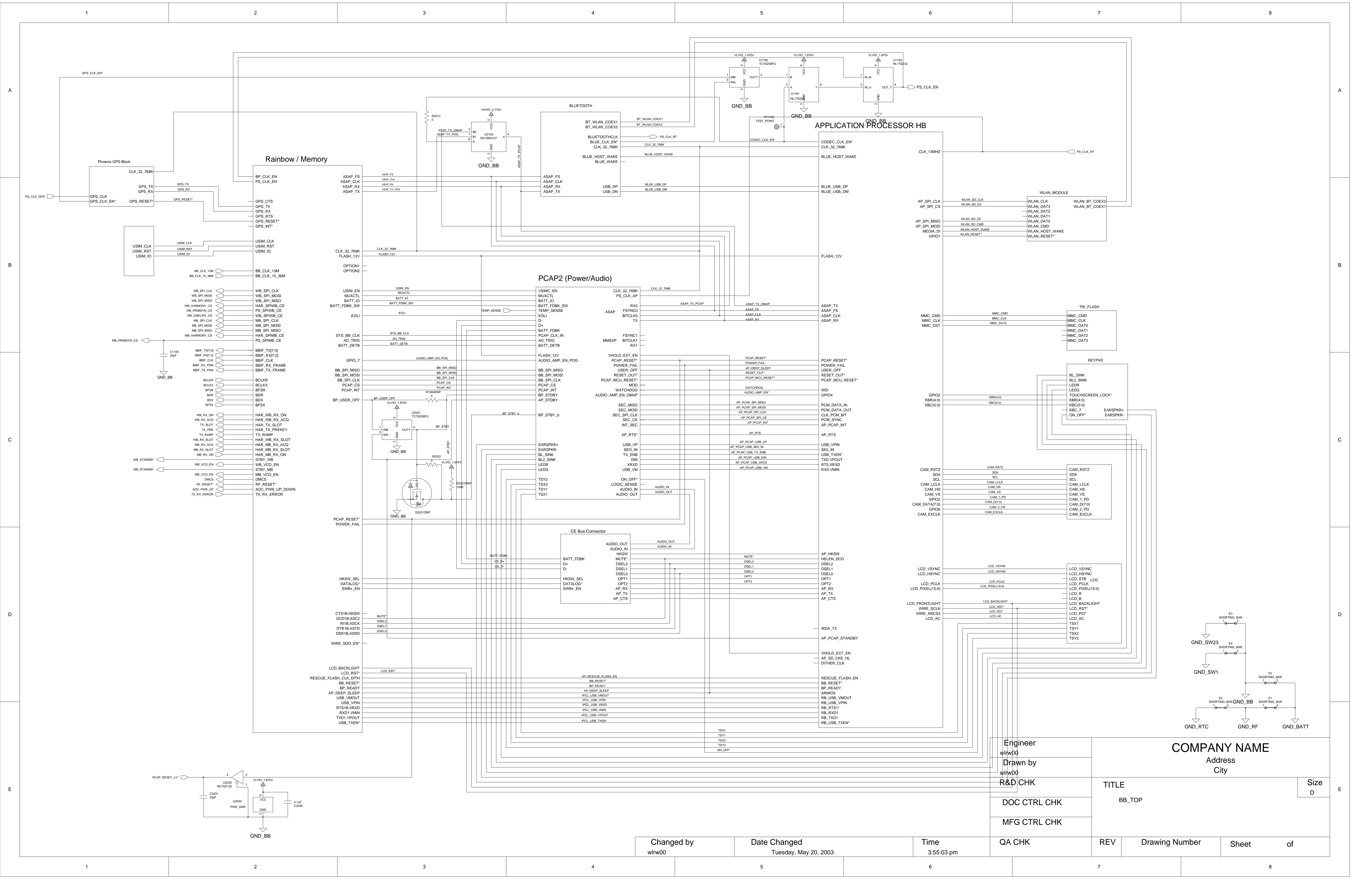
WCDMA PA REF # (400 - 499)

GSM/DCS/PCS PA REF# ( 800 - 835)

Temp Sensor REF # (880 - 889)

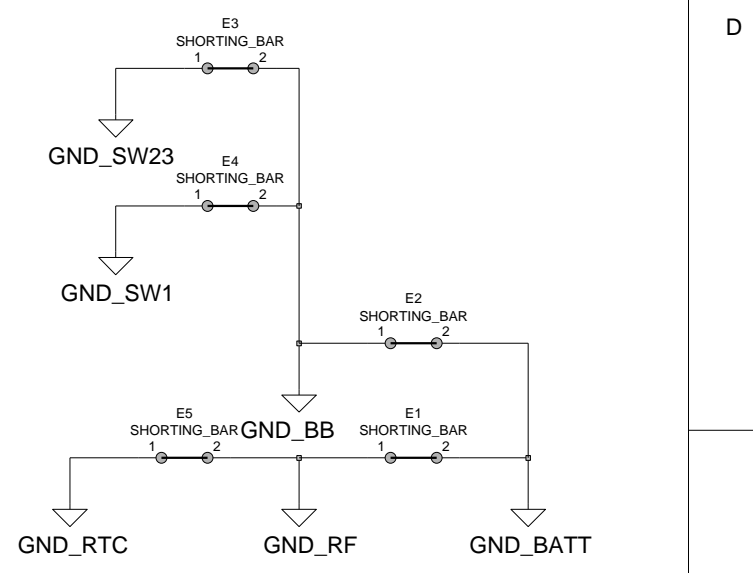
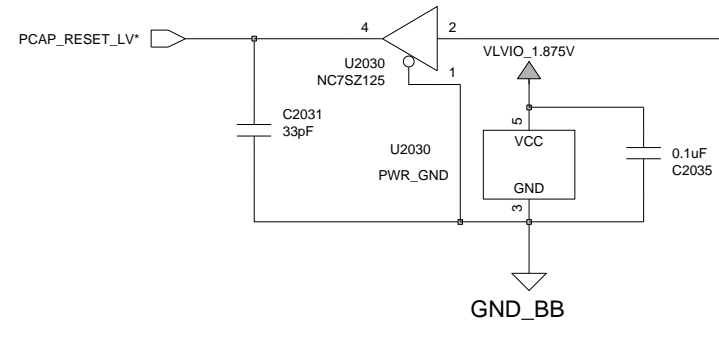
Engineer	COMPANY NAME		
Drawn by	Address		
	City		
R&D CHK	TITLE	Size	
DOC CTRL CHK	TRANSMITTER		
MFG CTRL CHK			
QA CHK	REV	Drawing Number	Sheet of

Changed by wipm11	Date Changed Thursday, April 24, 2003	Time 1:46:09 pm
----------------------	--	--------------------




Engineer wlrw00	<b>COMPANY NAME</b> Address City	TITLE BB_TOP	Size D
Drawn by wlrw00			
R&D CHK			
DOC CTRL CHK	REV	Drawing Number	Sheet of
MFG CTRL CHK	QA CHK	Time 3:55:03 pm	Date Changed Tuesday, May 20, 2003

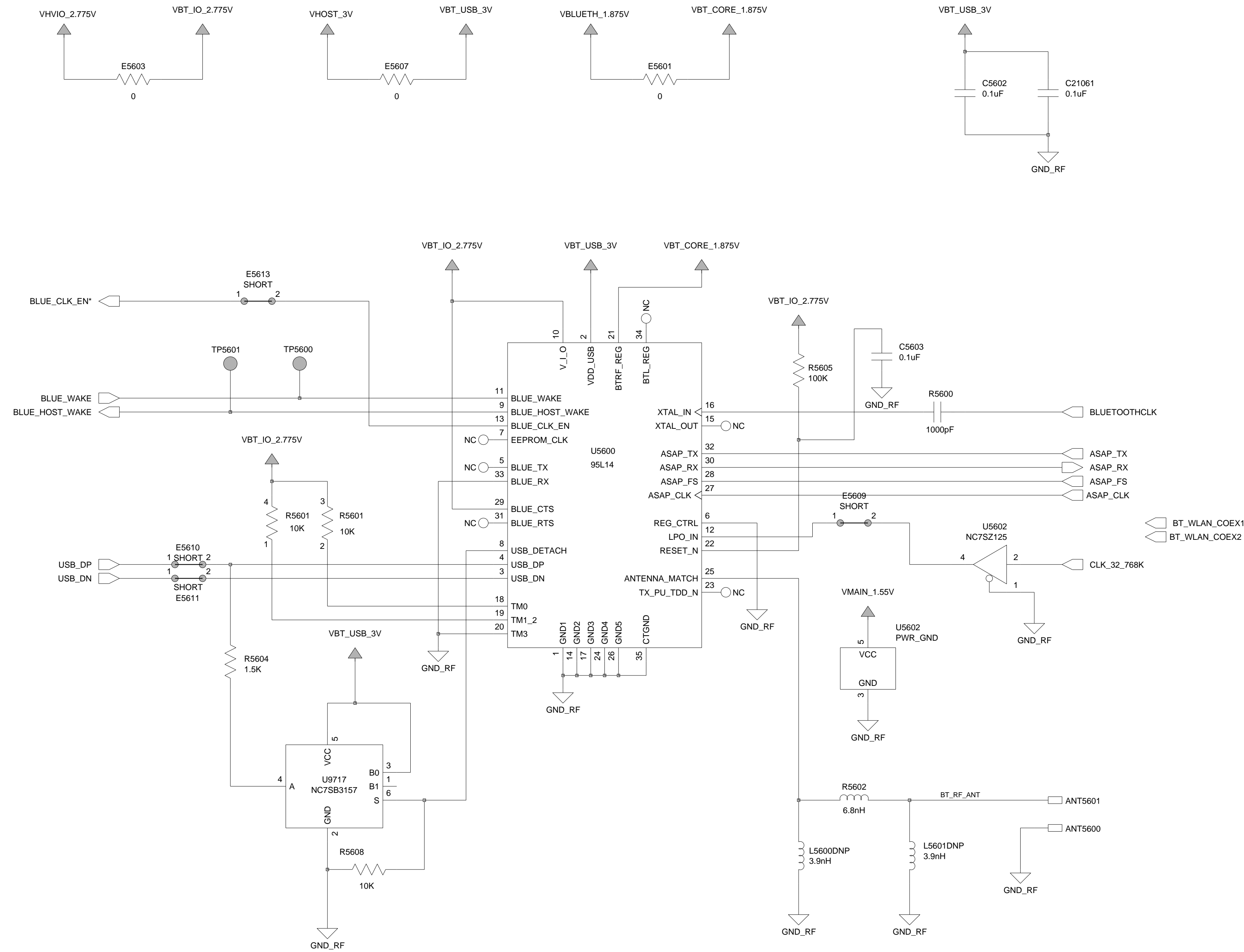
Changed by wlrw00 Date Changed Tuesday, May 20, 2003 Time 3:55:03 pm



MOTOROLA INTERNAL USE ONLY

4 1 3 A

Engineer: Danny Ng				
Drawn by: Danny Ng				
R&D CHK:	TITLE: BLUETOOTH	Size: 11x17		
DOC CTRL CHK:				
MFG CTRL CHK:				
QA CHK:	REV: 1	Drawing Number:	Page: 1	Of: 1
Changed by: w15660	Date: Friday, July 11, 2003	Time: 3:07:09 pm		





1

2

3

4

MOTOROLA CONFIDENTIAL PROPRIETARY

4 1 3 A

Engineer:  
Ed Naddeo  
Drawn by:  
Ed Naddeo



R&D CHK:

TITLE:  
Talon Integrated  
Embedded SD Flash

Size:  
11x17

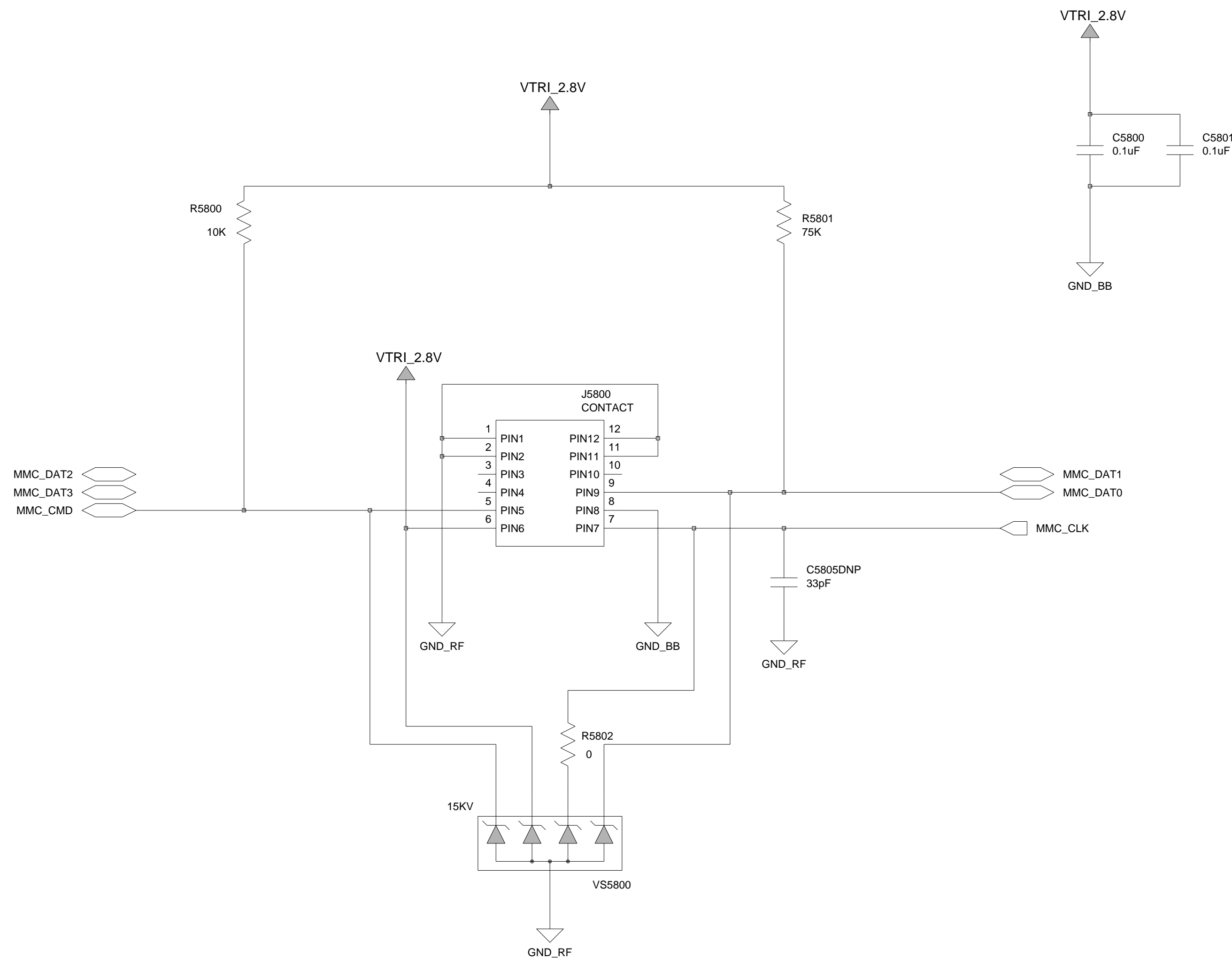
MFG CTRL CHK:

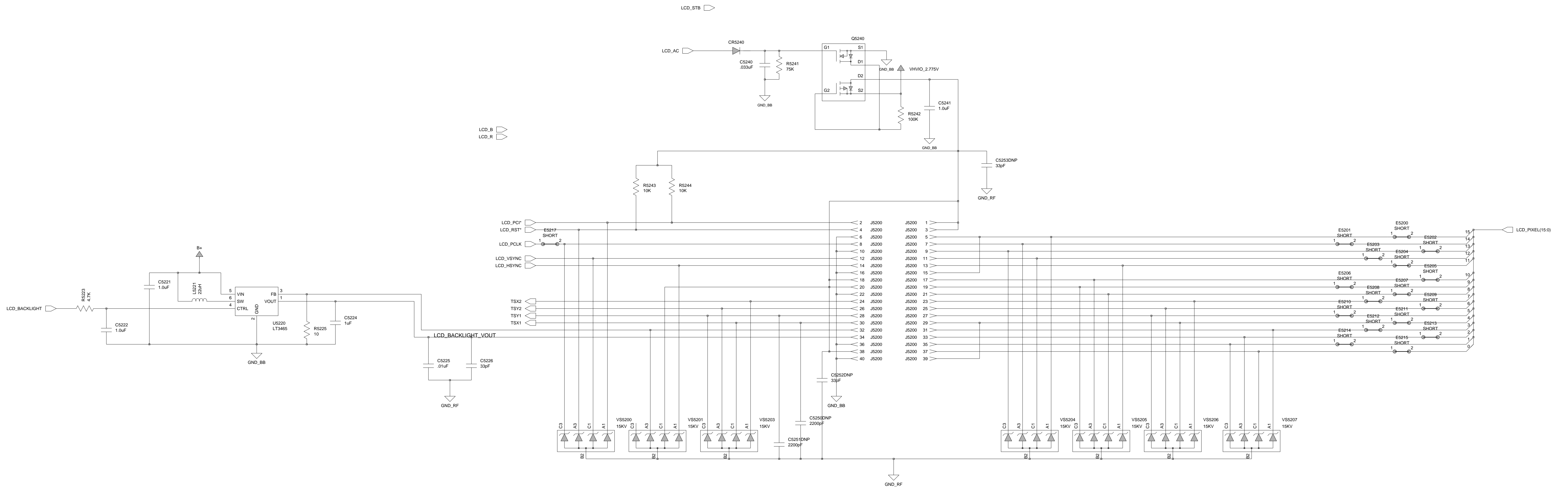
QA CHK:

REV: 1.0	Drawing Number: 84888888x88	Page: 1	Of: 1
-------------	--------------------------------	------------	----------

Changed by:  
Chris Pipe

Date: Friday, May 3, 2002	Time: 1:25:03 pm
------------------------------	---------------------

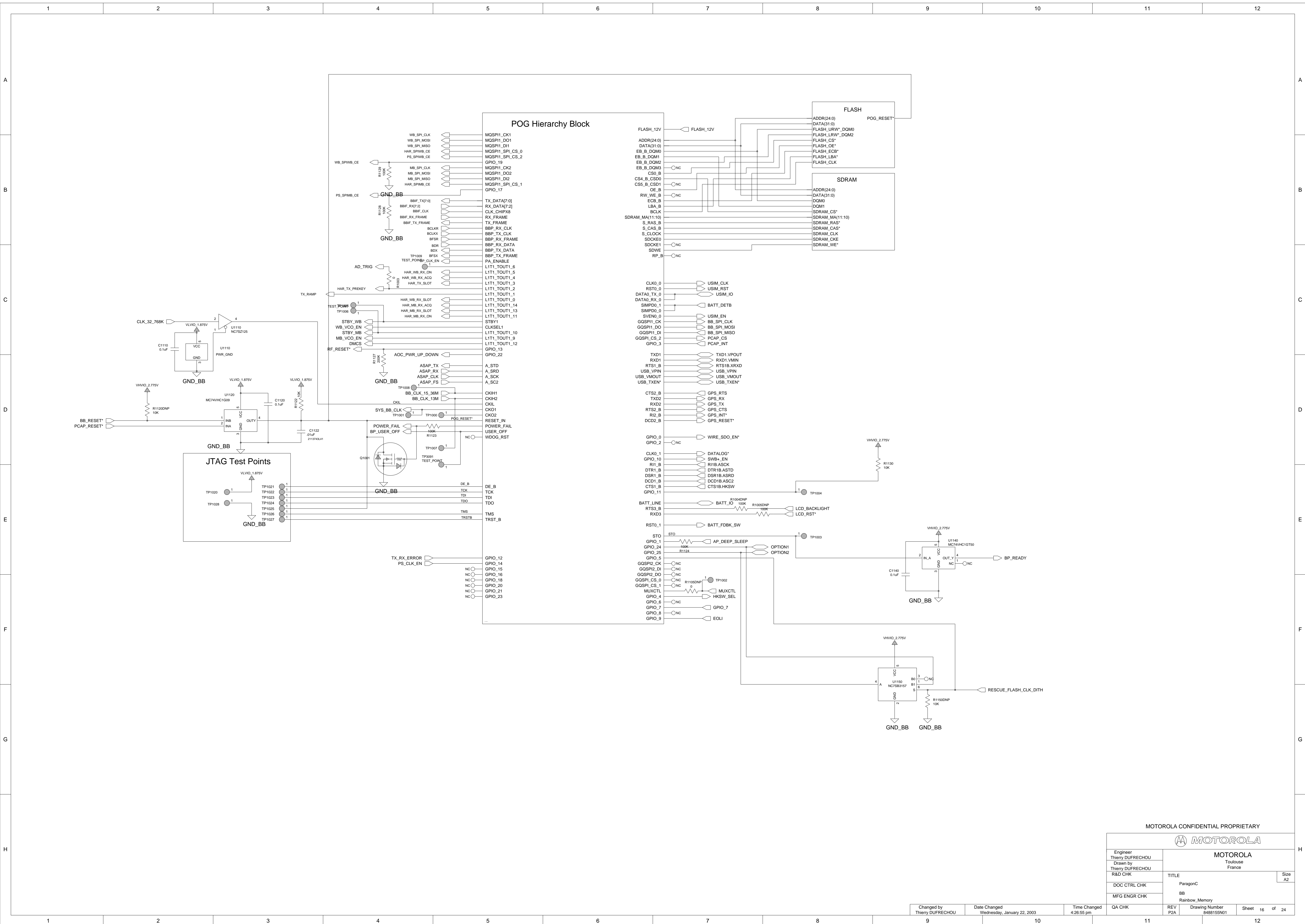




LCD\_STB

LCD\_B  
LCD\_R

LCD\_PIXEL(15:0)



MOTOROLA CONFIDENTIAL PROPRIETARY



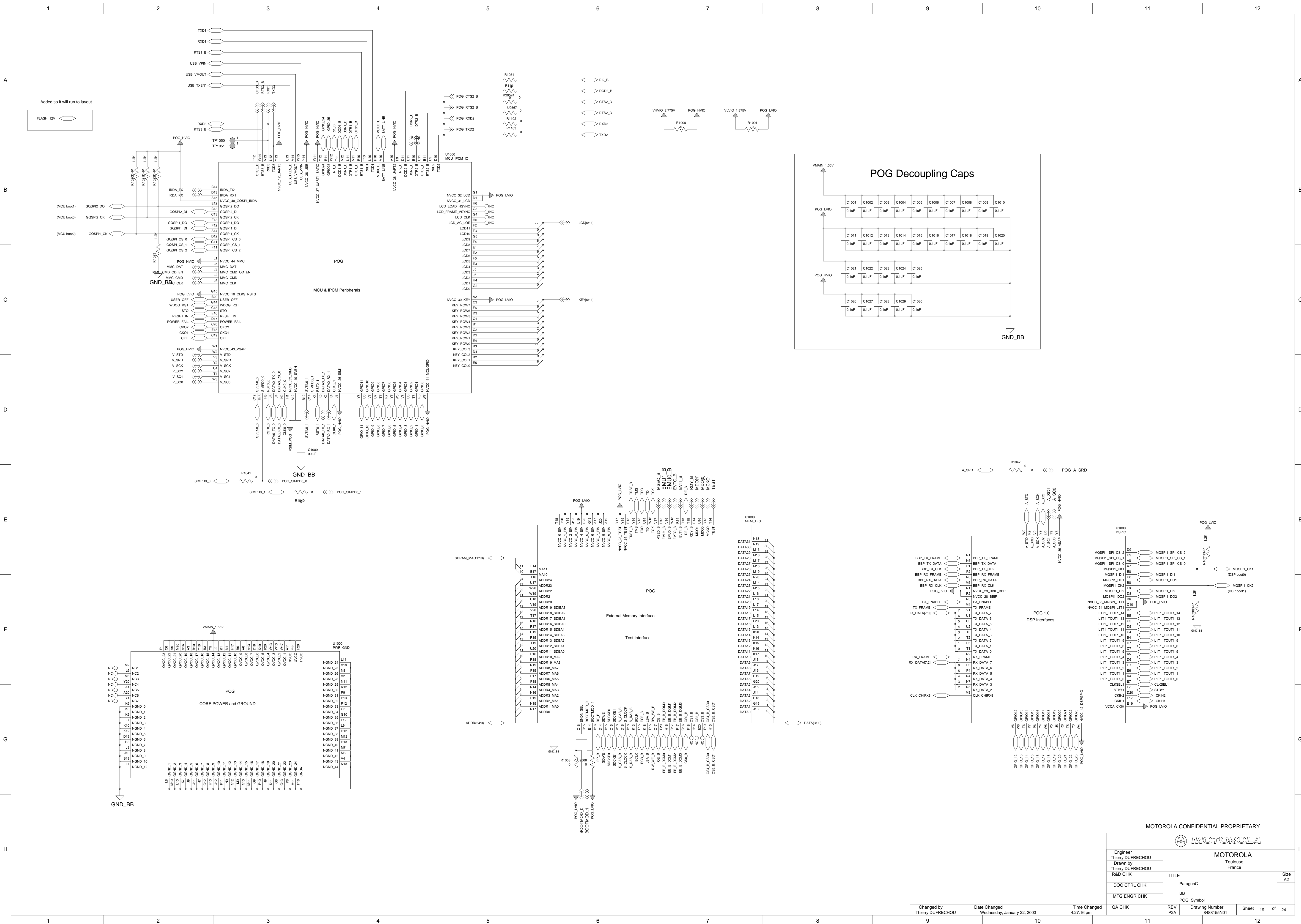
Engineer Thierry DUFRECHOU	MOTOROLA Toulouse France		Size A2
Drawn by Thierry DUFRECHOU	TITLE ParagonC		
R&D CHK	BB		
DOC CTRL CHK	Rainbow_Memory		
MFG ENGR CHK	REV P2A	Drawing Number 8488155N01	Sheet 16 of 24

Changed by  
Thierry DUFRECHOU

Date Changed  
Wednesday, January 22, 2003

Time Changed  
4:28:55 pm

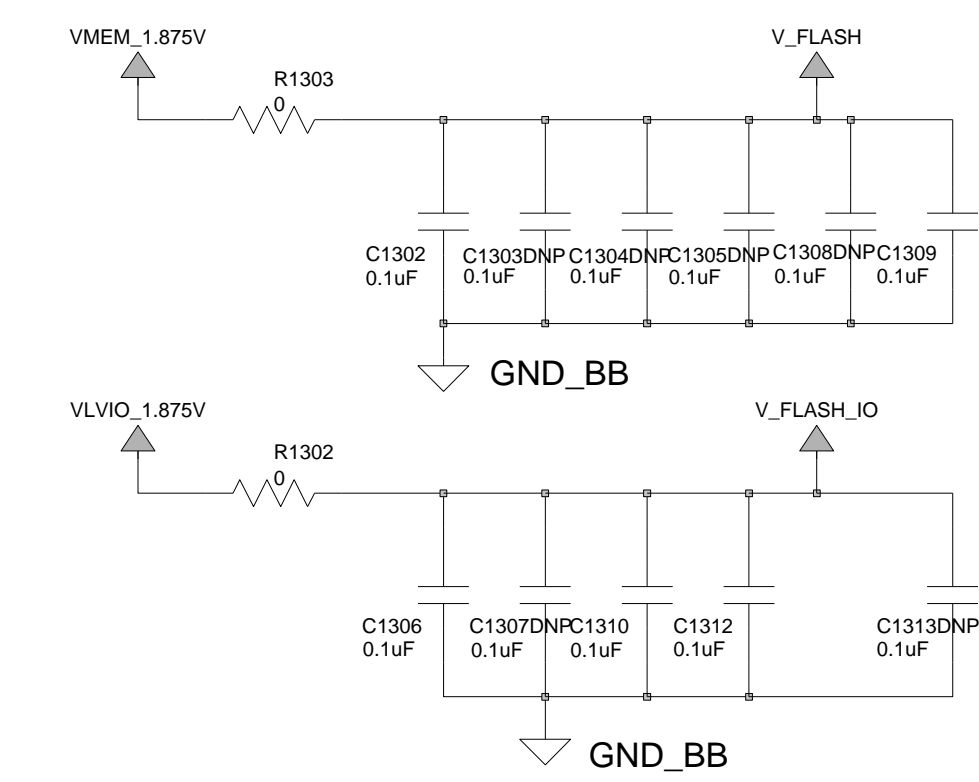
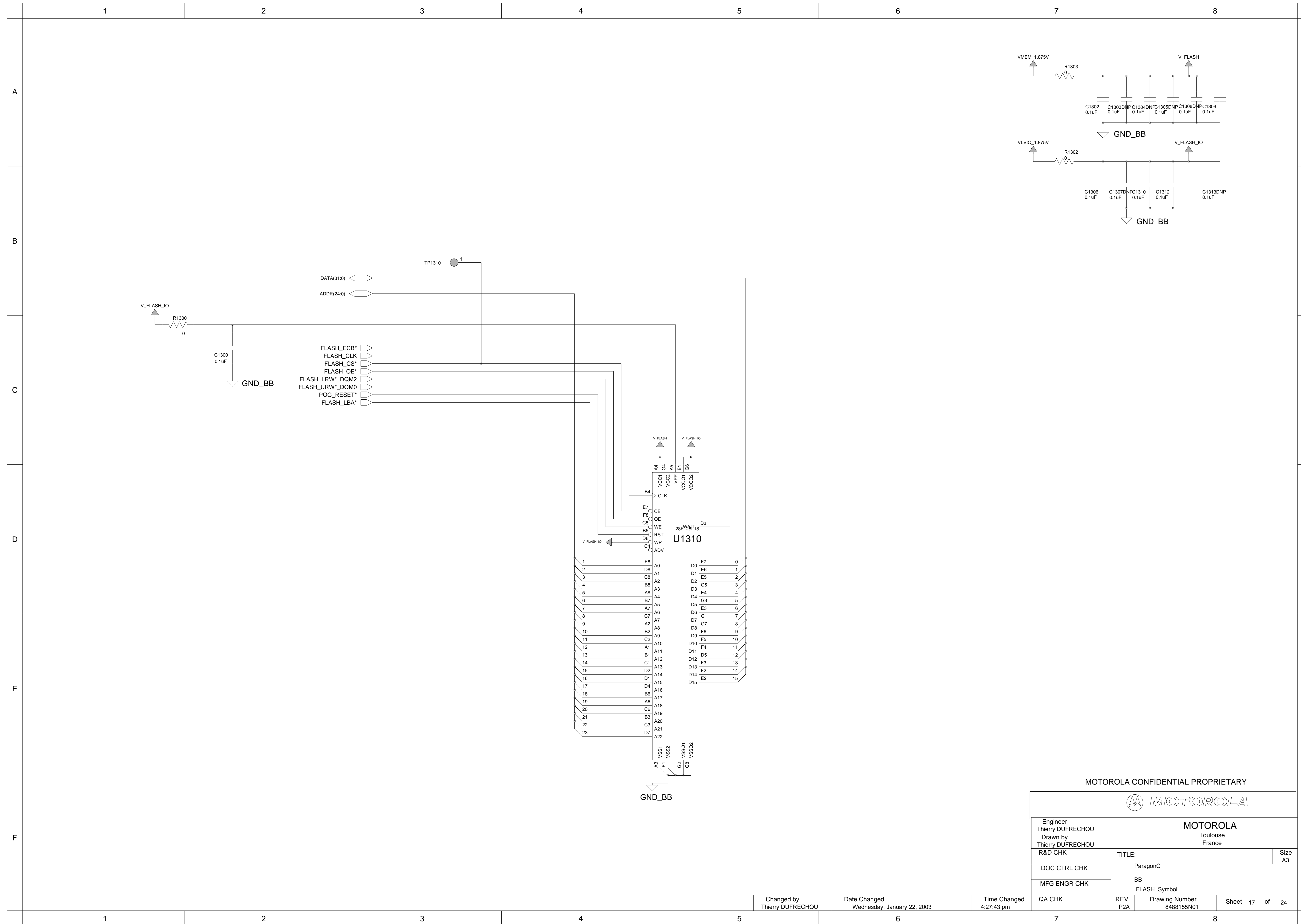
QA CHK



**MOTOROLA CONFIDENTIAL PROPRIETARY**

**MOTOROLA**  
Toulouse  
France

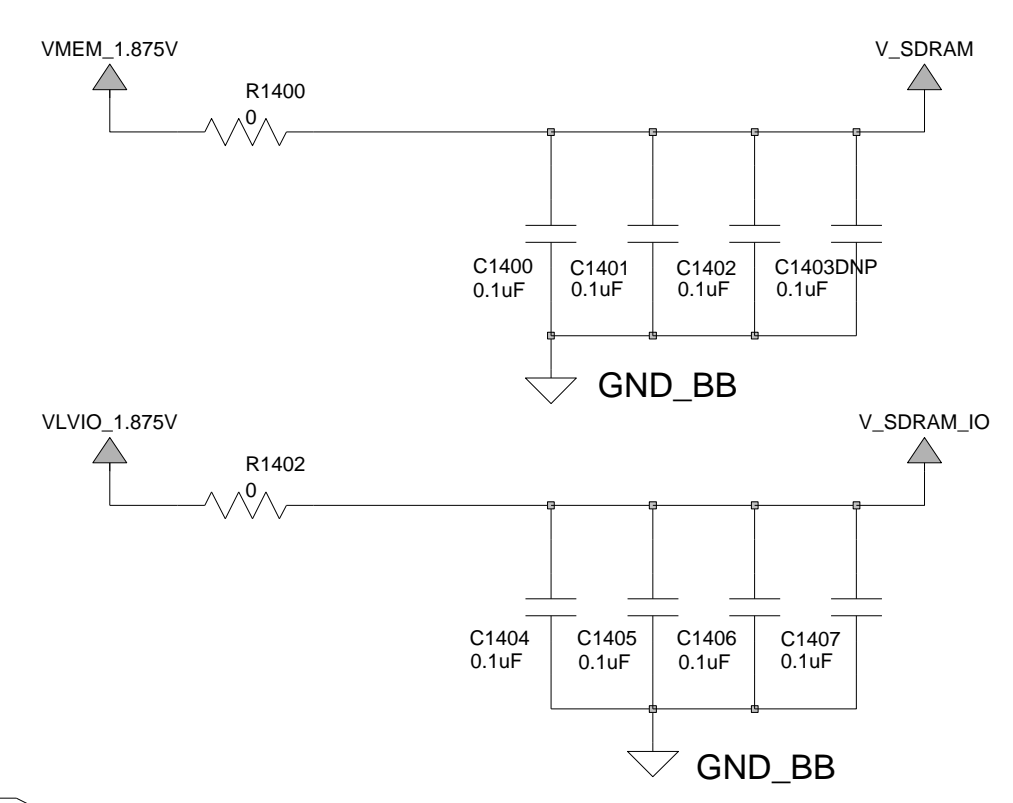
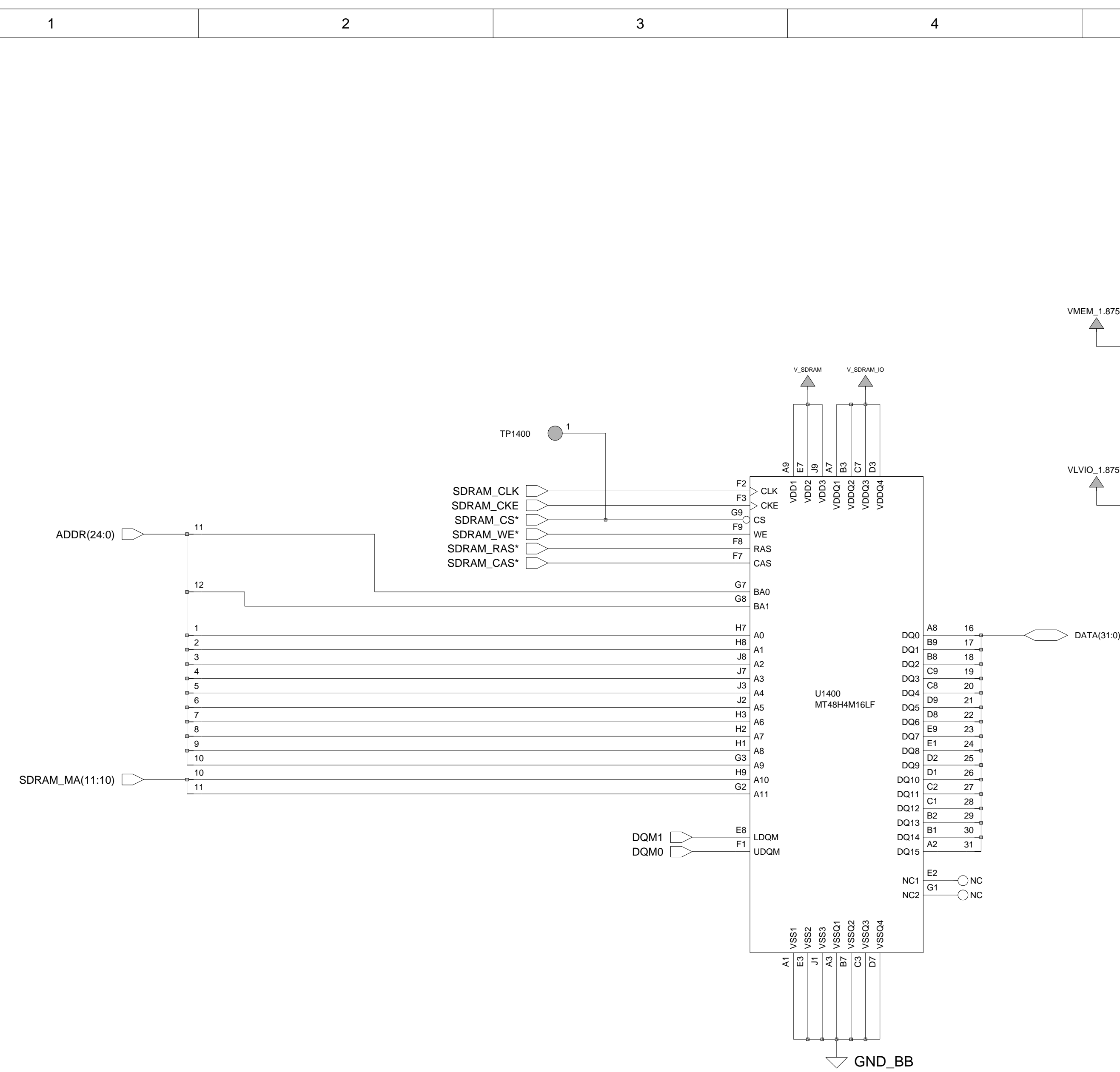
Engineer Thierry DUFRECHOU	<b>MOTOROLA</b> Toulouse France TITLE ParagonC BB POG_Symbol REV P2A Drawing Number 8488155N01 Sheet 19 of 24		
R&D CHK			
DOC CTRL CHK			
MFG ENGR CHK			
Changed by Thierry DUFRECHOU	Date Changed Wednesday, January 22, 2003	Time Changed 4:27:16 pm	QA CHK



MOTOROLA CONFIDENTIAL PROPRIETARY



Engineer Thierry DUFRECHOU	<b>MOTOROLA</b> Toulouse France	Size A3
Drawn by Thierry DUFRECHOU		
R&D CHK		
DOC CTRL CHK		
MFG ENGR CHK	TITLE: ParagonC BB FLASH_Symbol	
QA CHK	REV P2A	Drawing Number 8488155N01



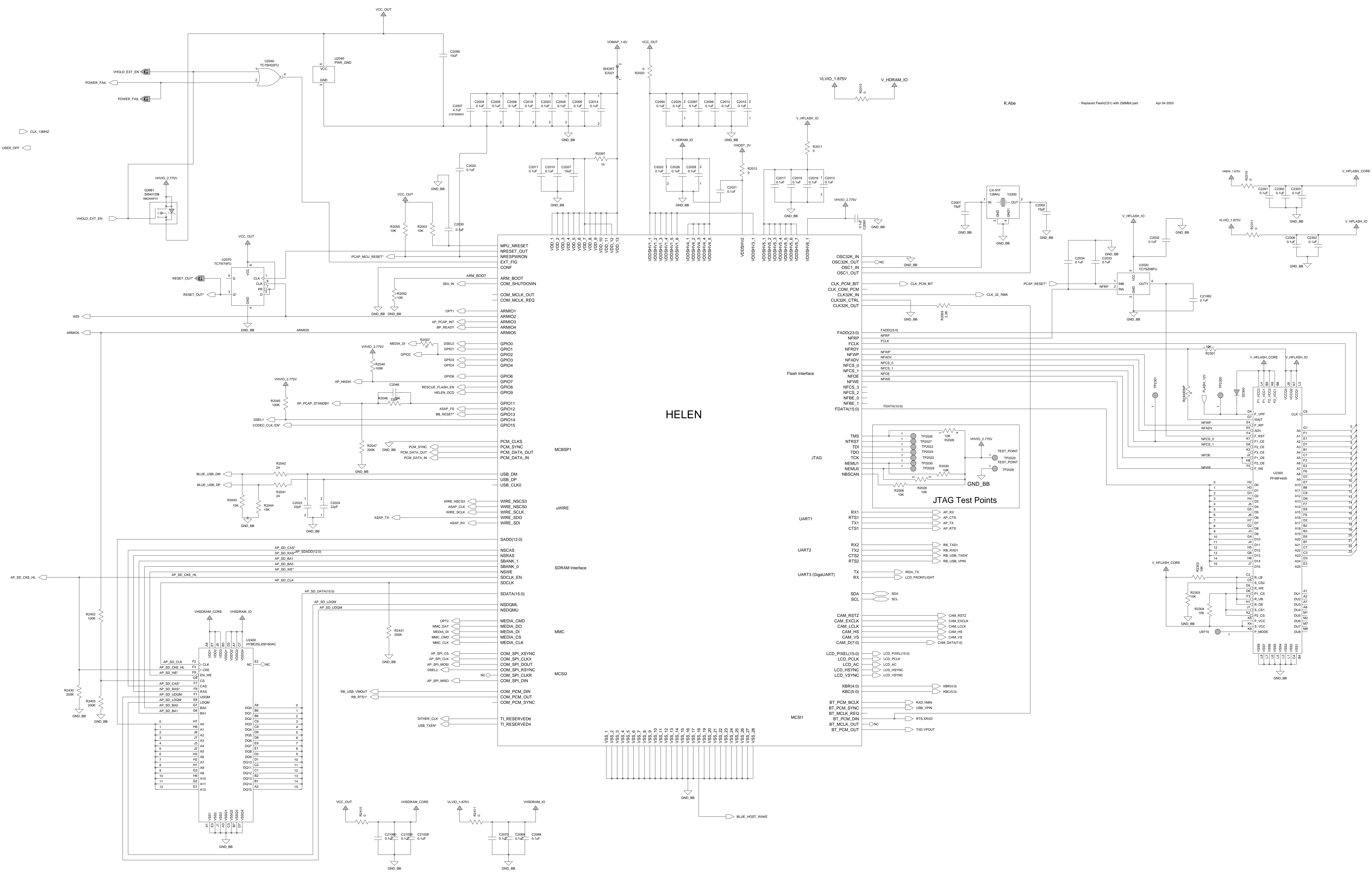
SDRAM size	IAM=0(Non-Interleaved)	
	4Mx16	8Mx16
BA Connection		
BA0	SDBA0(ADDR11)	SDBA1(ADDR12)
BA1	SDBA1(ADDR12)	SDBA2(ADDR13)

MOTOROLA CONFIDENTIAL PROPRIETARY



Engineer Thierry DUFRECHOU	<b>MOTOROLA</b> Toulouse France	TITLE: ParagonC BB SDRAM_Symbol	Size A3
Drawn by Thierry DUFRECHOU			
R&D CHK			
DOC CTRL CHK			
MFG ENGR CHK			

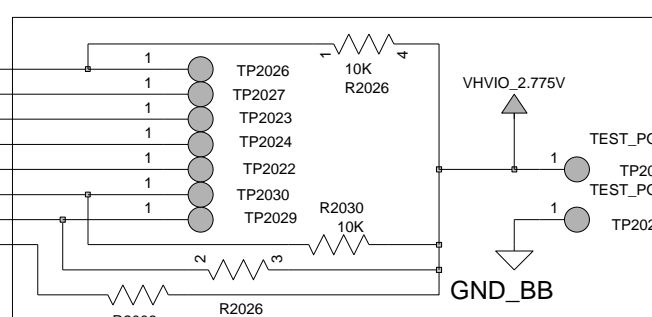
Changed by Thierry DUFRECHOU	Date Changed Wednesday, January 22, 2003	Time Changed 4:28:30 pm	QA CHK	REV P2A	Drawing Number 8488155N01	Sheet 18 of 24
---------------------------------	---	----------------------------	--------	------------	------------------------------	----------------



HELEN

K.Abe  
- Replaced Flash(C51) with 256Mbit part.  
Apr 04 2003

JTAG Test Points



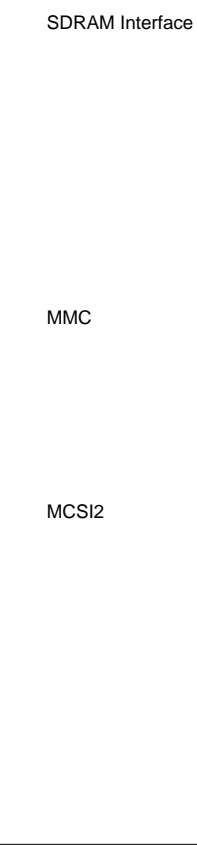
Flash Interface



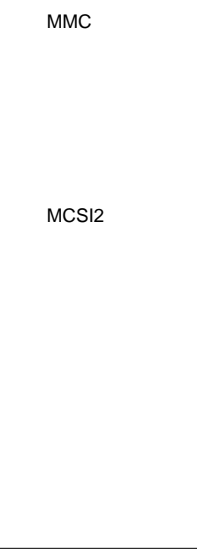
MCBSP1



SDRAM Interface



MMC



MCSI2



MCSI1



CLK\_13MHz  
USER\_OFF

ARMOS5

AP\_SD\_CKE\_HL

VCC\_OUT

V\_HSDRAM\_CORE

V\_LVIO\_1.875V

V\_HSDRAM\_IO

V\_HVIO\_2.775V

V\_HVIO\_2.775V

V\_HVIO\_2.775V

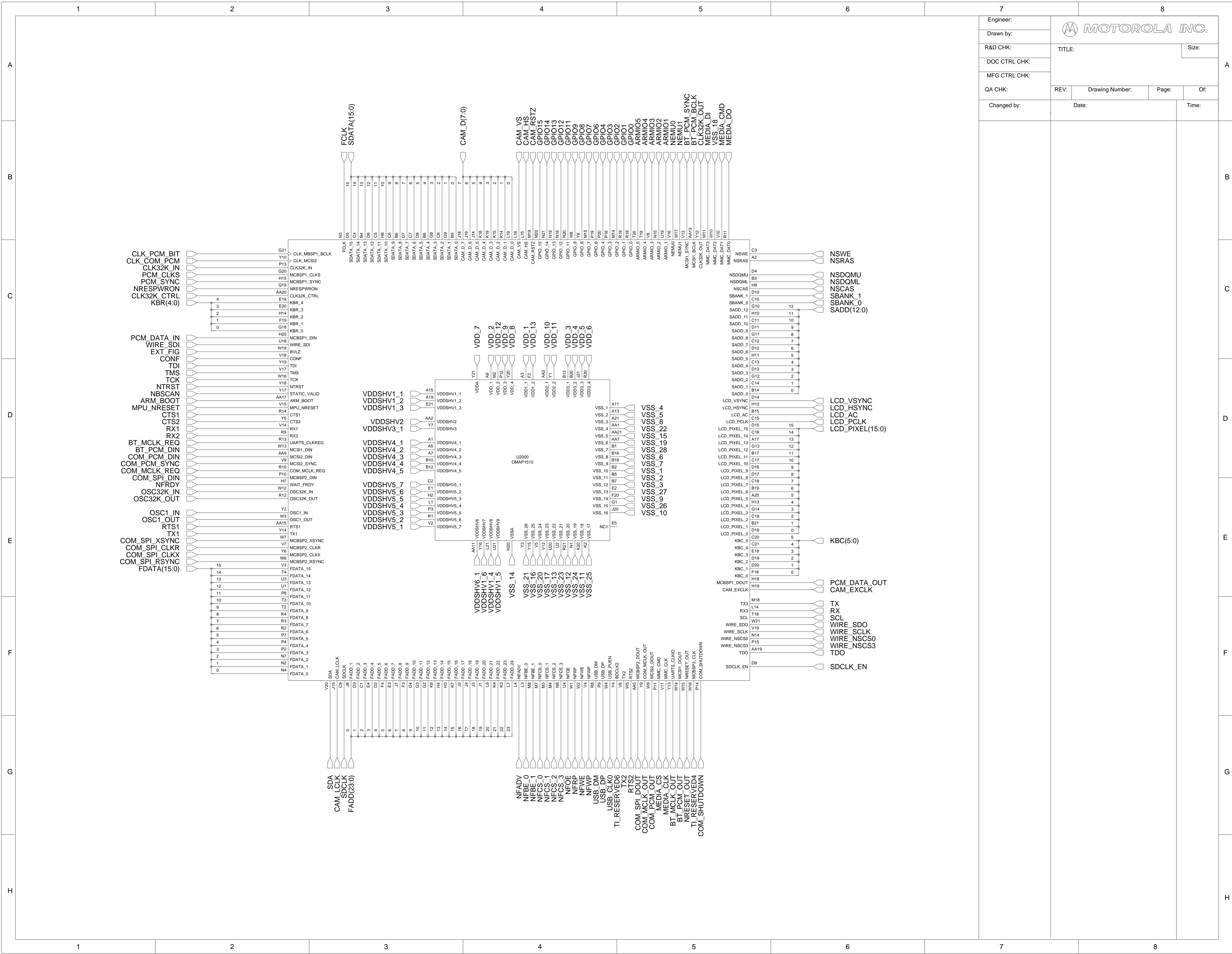
V\_HVIO\_2.775V

V\_HVIO\_2.775V

V\_HVIO\_2.775V

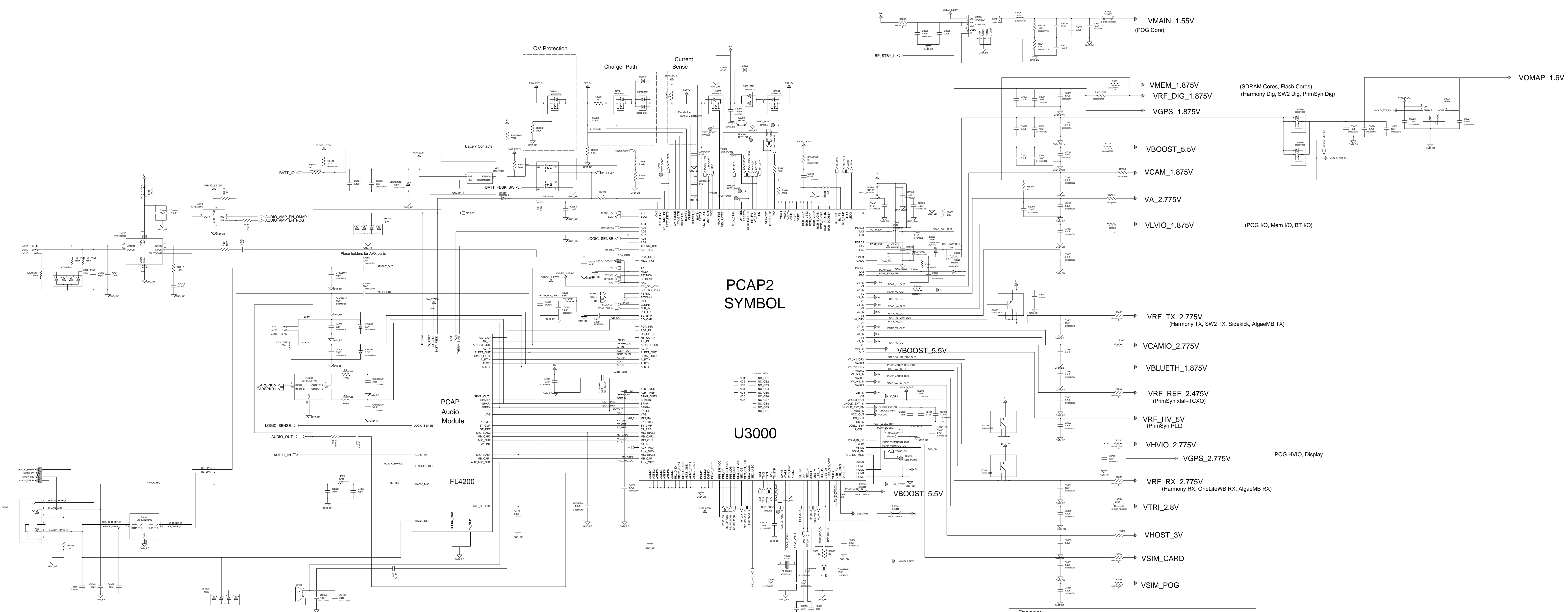
V\_HVIO\_2.775V

V\_HVIO\_2.775V



Engineer:	MOTOROLA INC.		
Drawn by:	TITLE:	Size:	
R&D CHK:	REV:	Drawing Number:	Page:
DOC CTRL CHK:	Of:		
MFG CTRL CHK:	Date:		Time:
QA CHK:			
Changed by:			



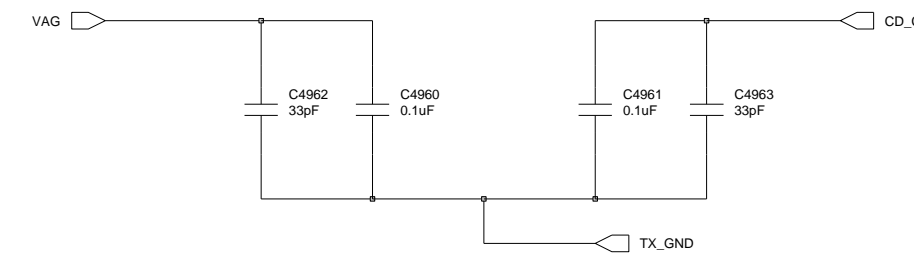


Plot Scale = 0.8

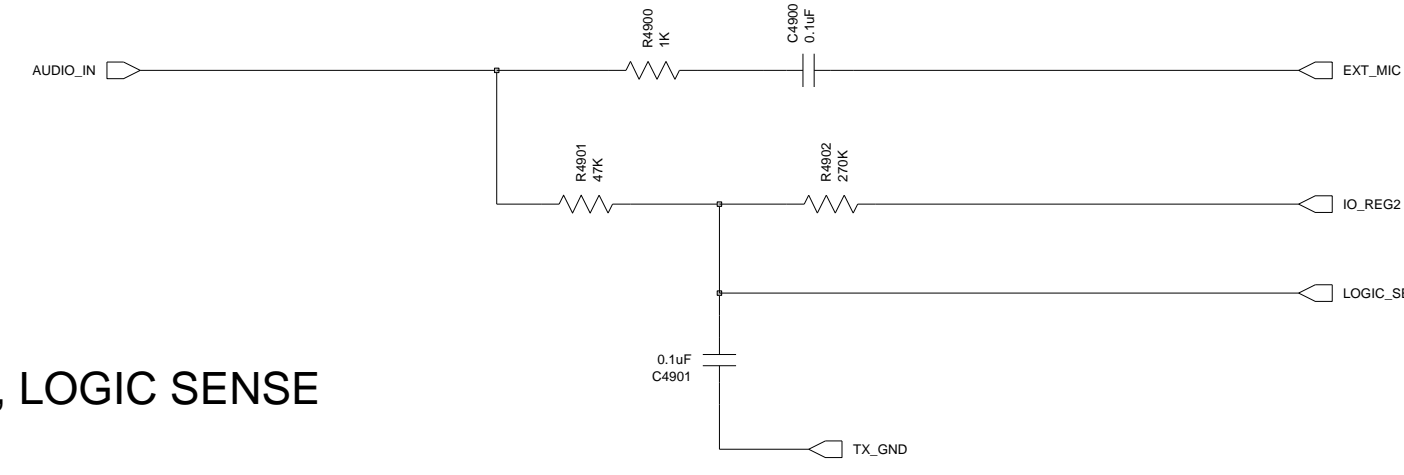
Engineer: Bokchan Koh			
Drawn by: Bokchan Koh			
R&D CHK:	TITLE: 3G FUN	Size:	
DOC CTRL CHK:	Power and Audio		
MFG CTRL CHK:	REV:	Drawing Number:	Page: Of:
QA CHK:	Date: 4/9/03	Time: 1:36:56 pm	
Changed by: Bokchan Koh			

### AUDIO\_OUT, ON\_OFF

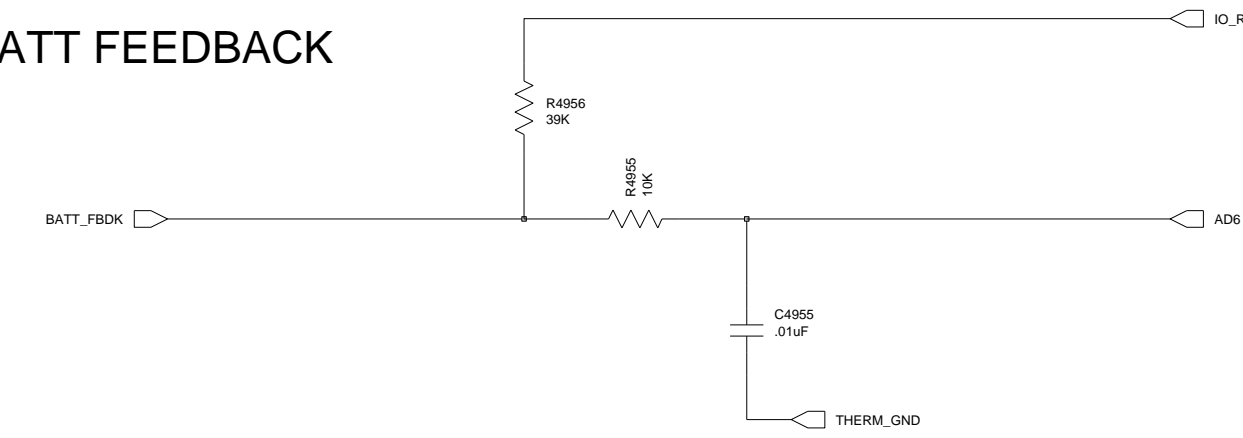
### AUDIO FILTERS



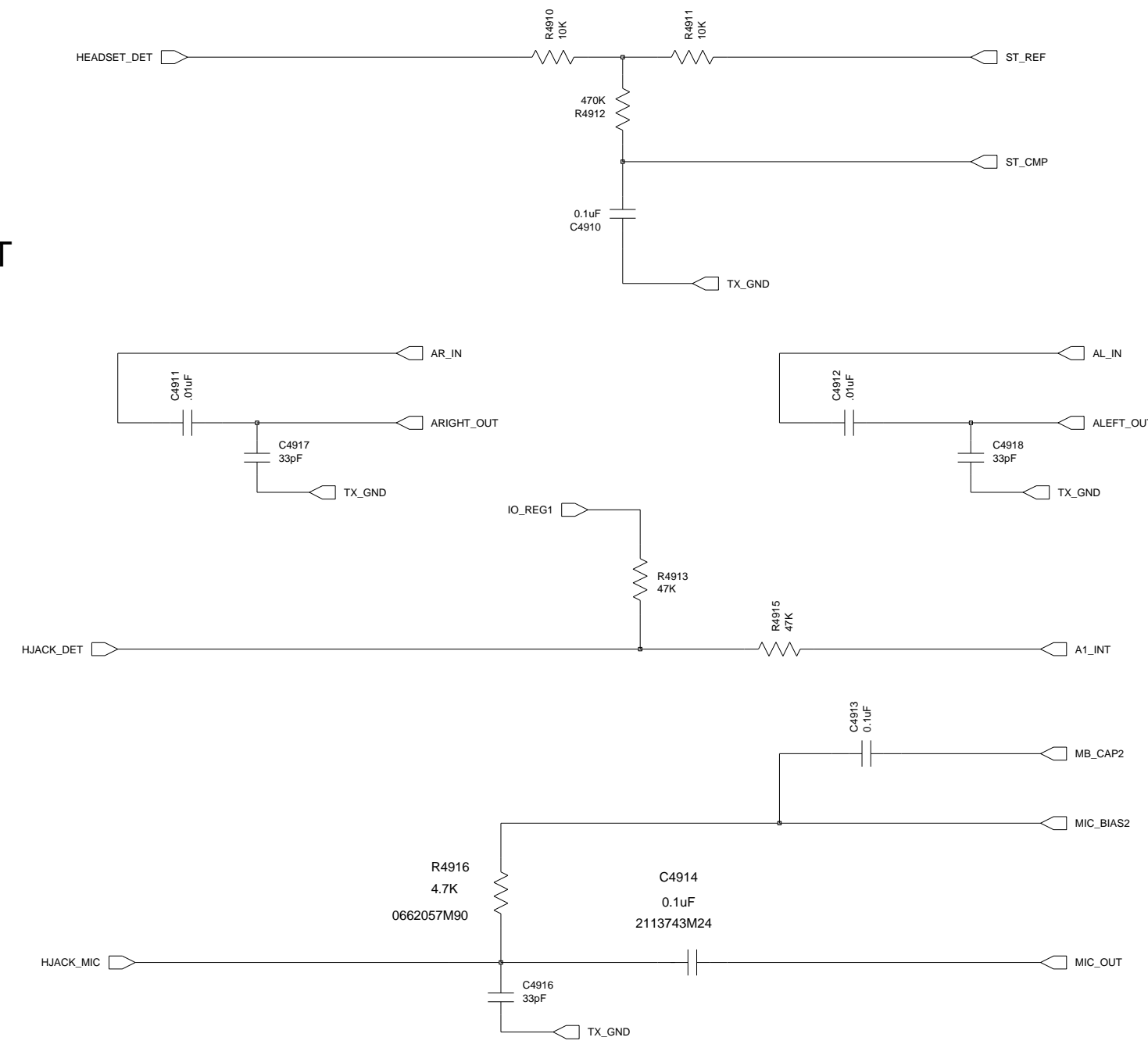
### AUDIO\_IN, LOGIC SENSE



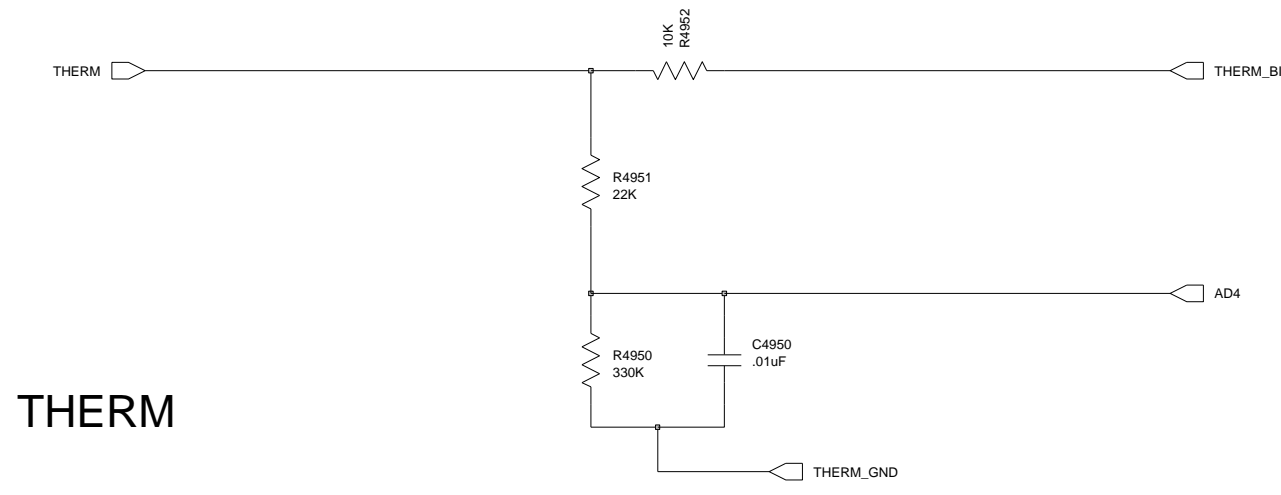
### BATT FEEDBACK



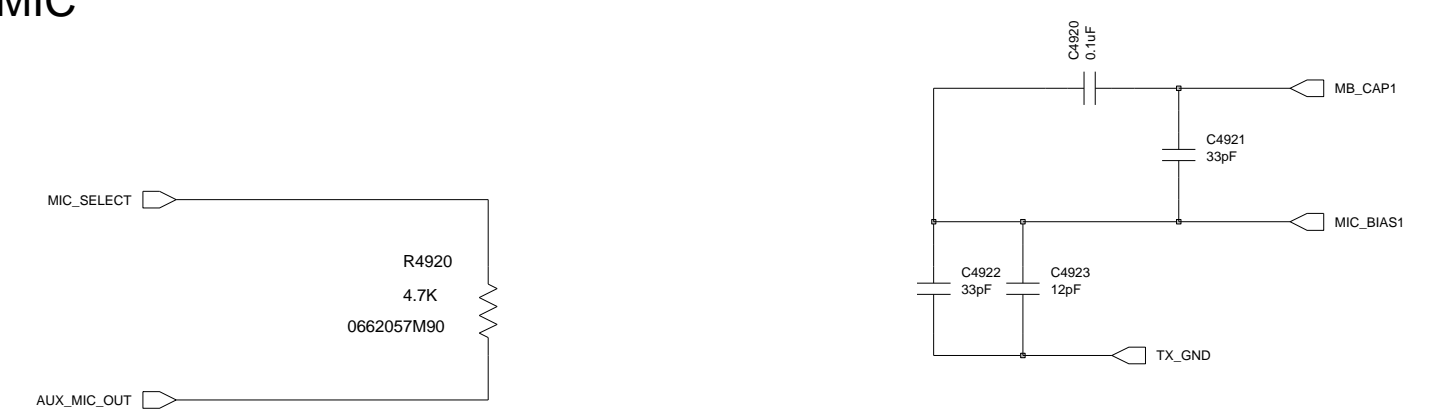
### HEADSET



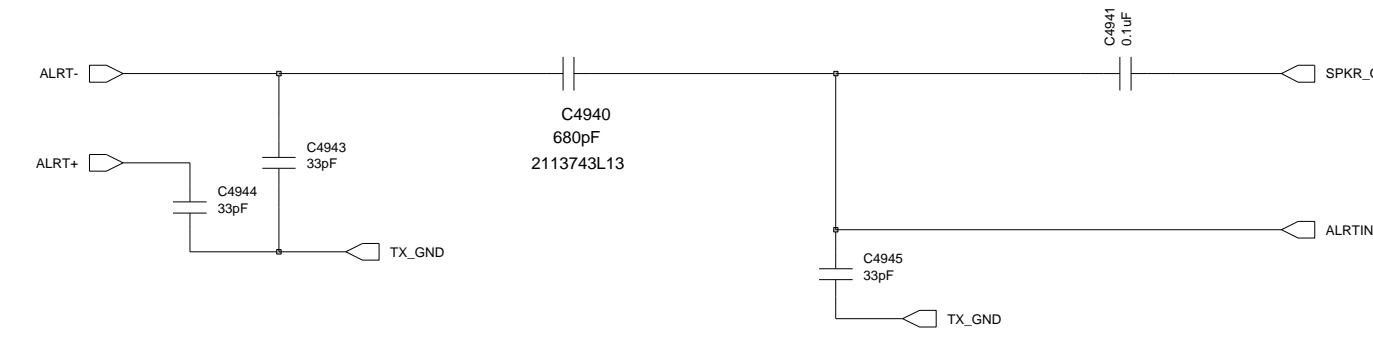
### THERM



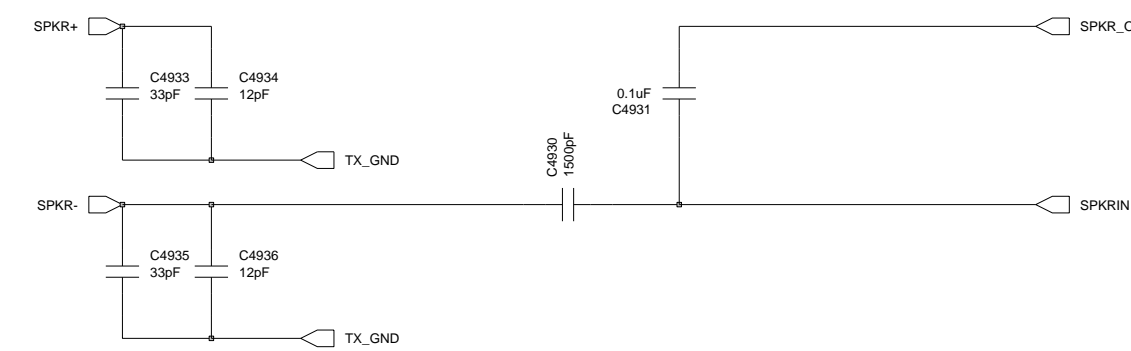
### HANDSET MIC

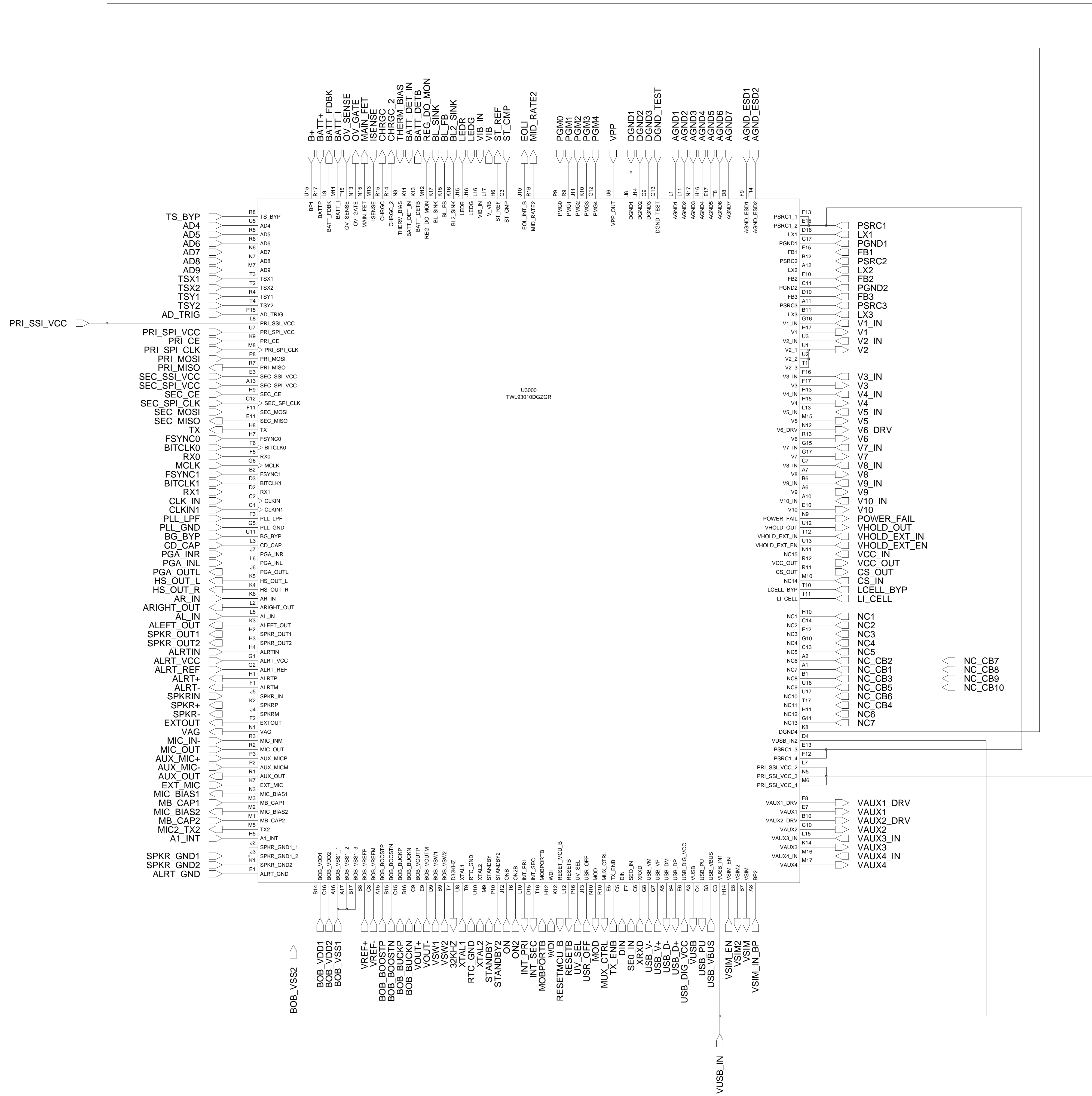


### ALERT SPEAKER RIGHT - DO NOT DNP

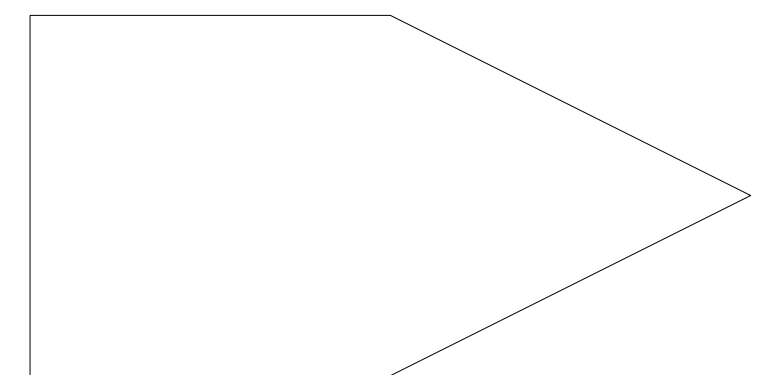


### HANDSET SPEAKER





**WLAN\_CLK**



**WLAN\_DAT3**



**WLAN\_DAT2**



**WLAN\_DAT1**



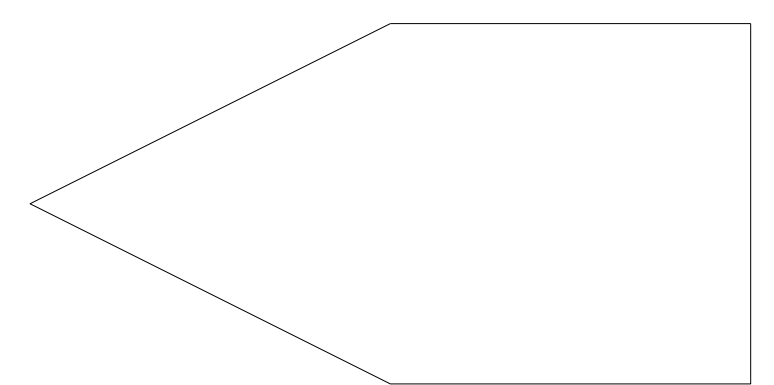
**WLAN\_DAT0**



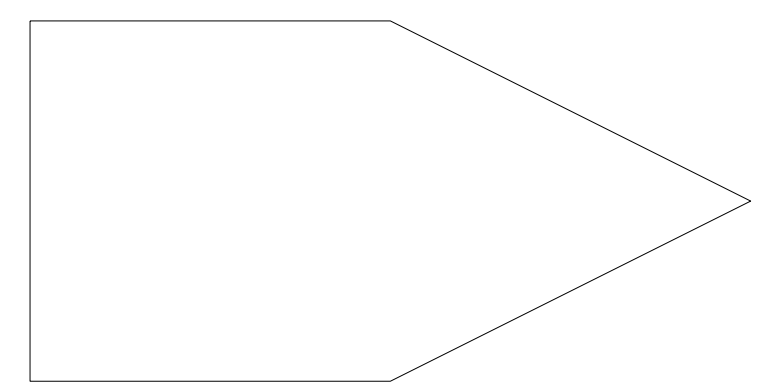
**WLAN\_CMD**



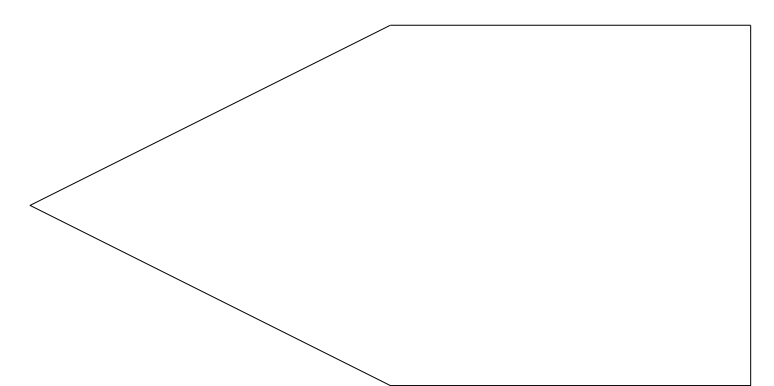
**WLAN\_HOST\_WAKE**



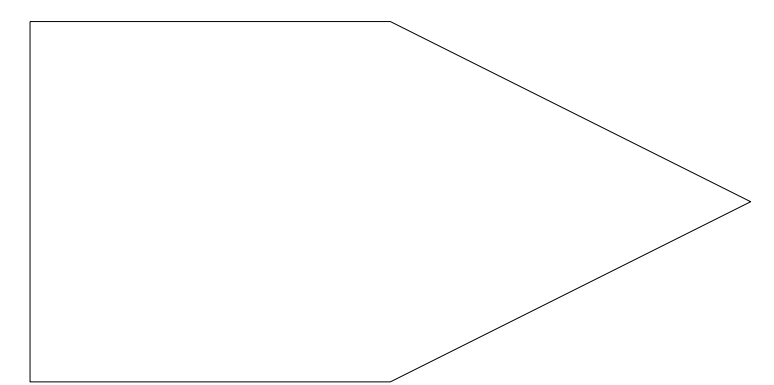
**WLAN\_RESET\***



**WLAN\_BT\_COEX1**

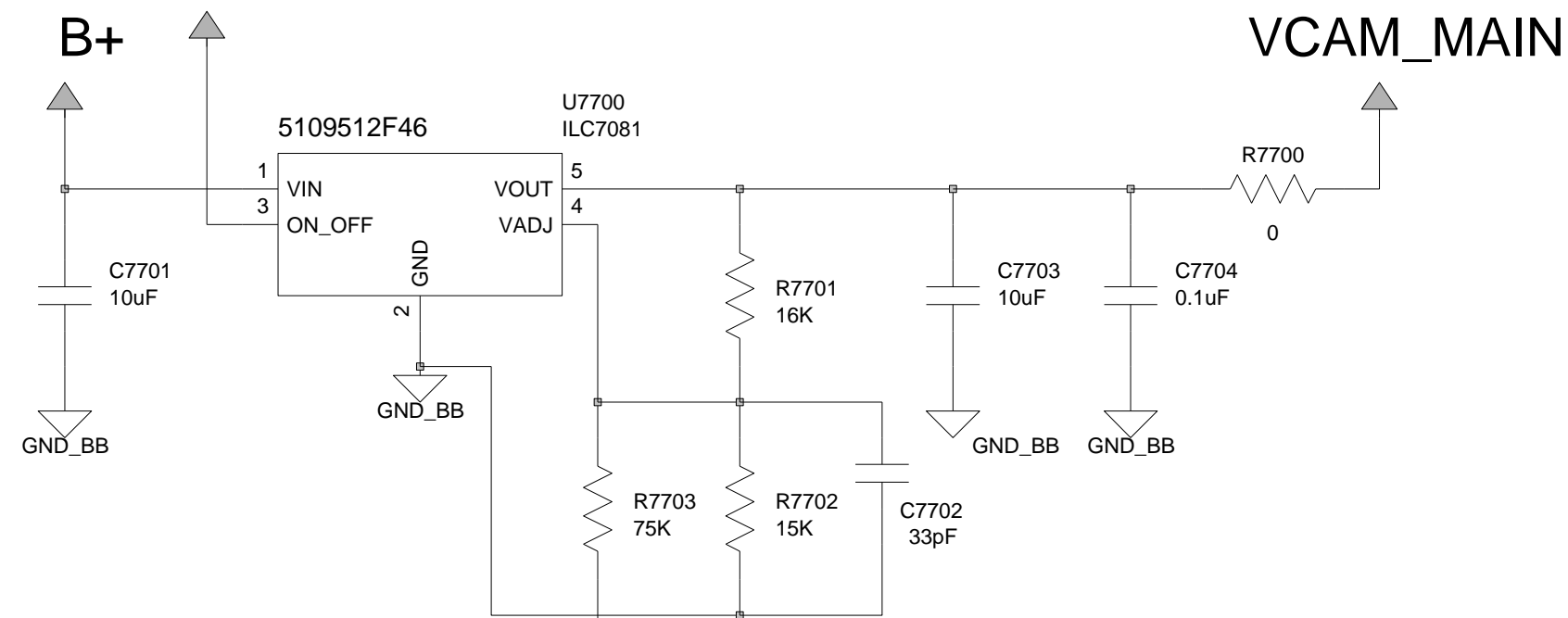


**WLAN\_BT\_COEX2**



# A1000 CAMERA - single flex dual camera (VGA & MP)

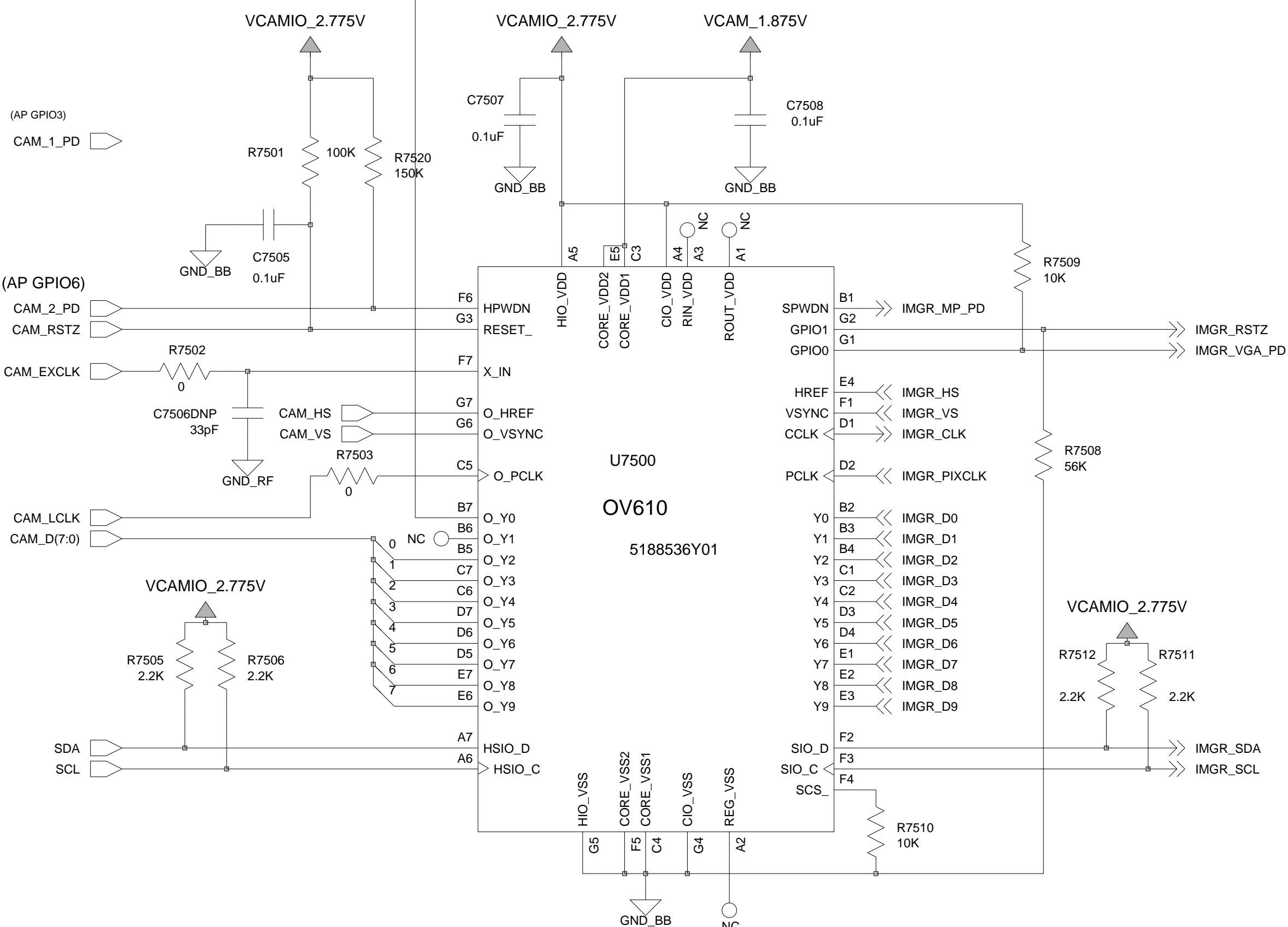
## VCAMIO\_2.775V



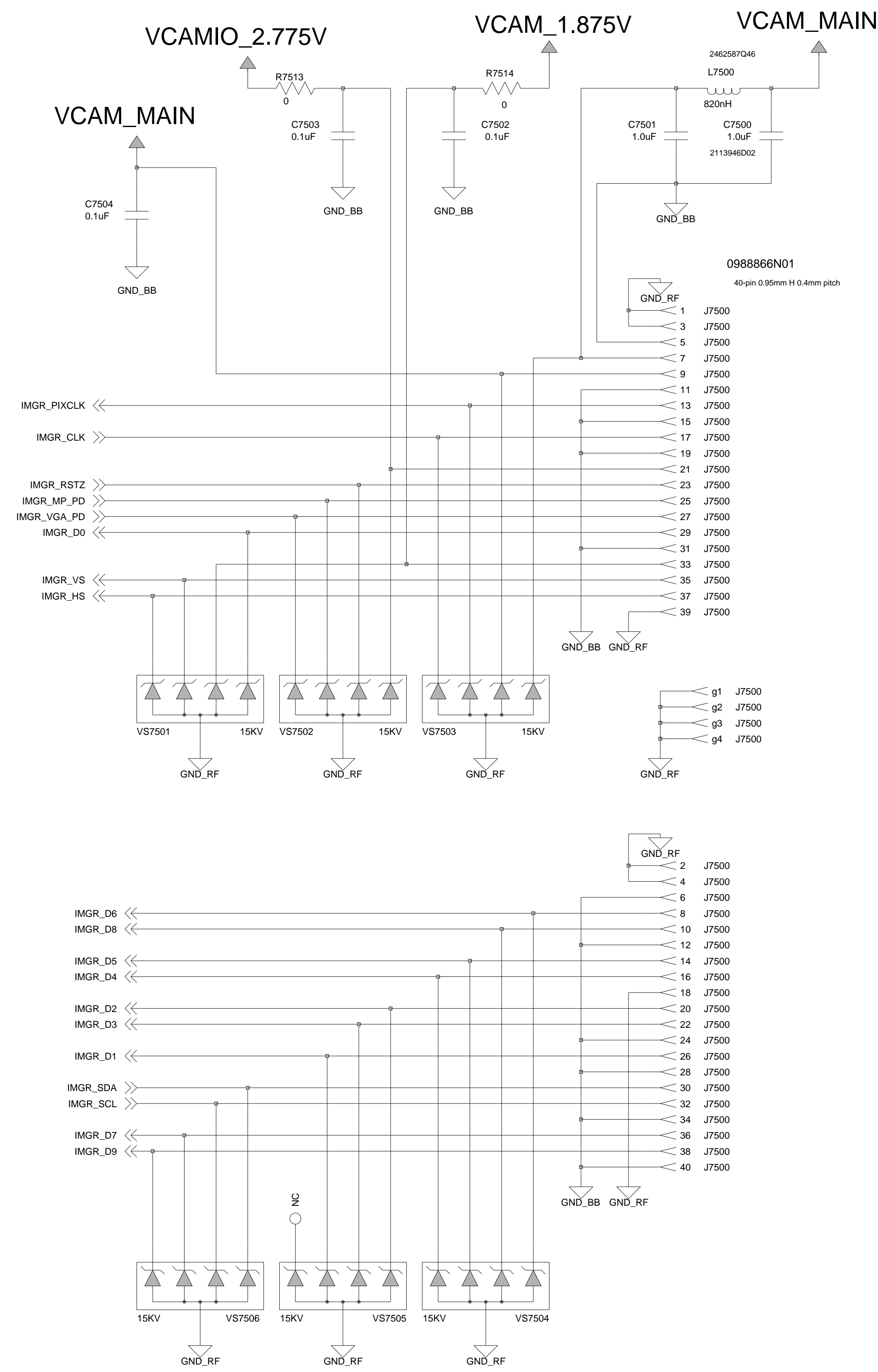
Use single BB\_GND node for regulator.

O\_Y[0]: Hi-Z =>VCAM = 2.5V ; Low (GND) =>VCAM = 2.85V

## Liberator IC

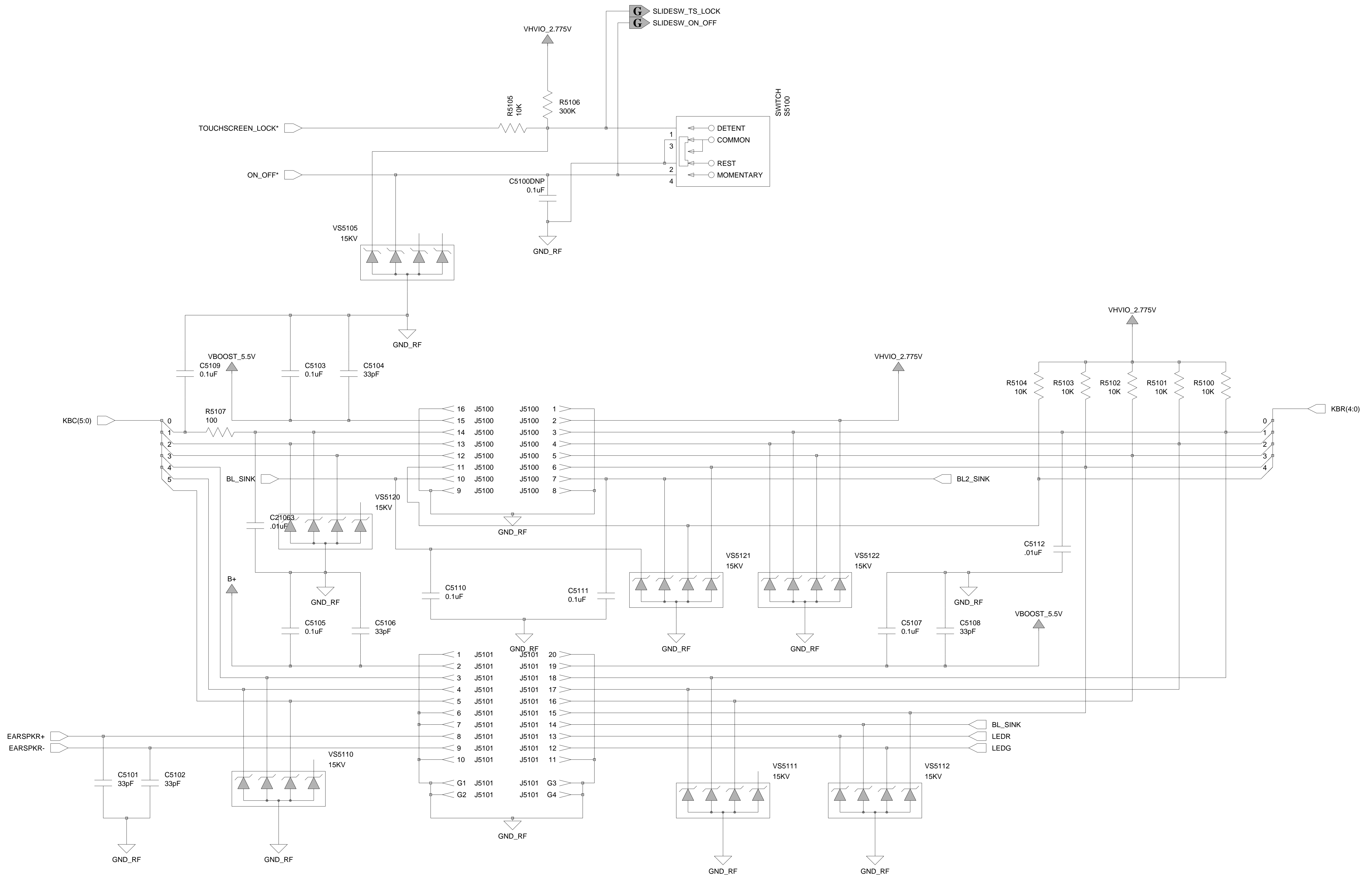


## PORTABLE P3B 3/26/04



Engineer:	MOTOROLA INC.		
Drawn by:	TITLE: A1000 CAMERA /OV610		
R&D CHK:	Size:		
DOC CTRL CHK:	REV: Drawing Number: Page: Of:		
MFG CTRL CHK:	Date: 3/26/04		
QA CHK:	Time:		
Changed by: e11239			

Warning !! Do NOT Modify without Suwinto G. or Andrei S. Consent



KBC\_7

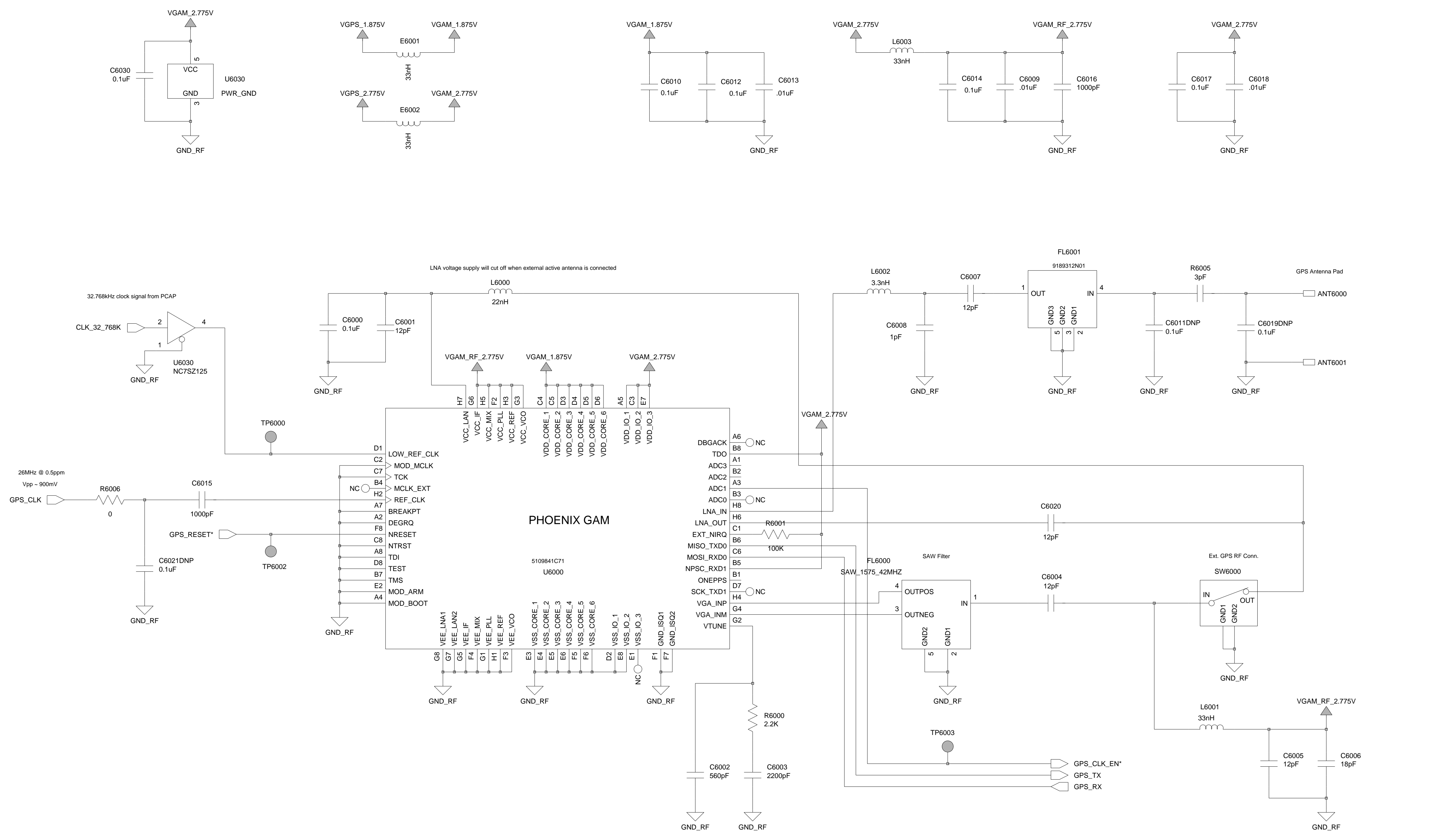
Engineer: Danny Ng	TITLE: GAM GPS BLOCK			Size: 11x17
Drawn by: Danny Ng				
R&D CHK:				
DOC CTRL CHK:				
MFG CTRL CHK:				
QA CHK:	REV:	Drawing Number:	Page: 1	Of: 1
Changed by: W15660	Date: Monday, December 1, 2003		Time: 4:39:29 pm	

A

B

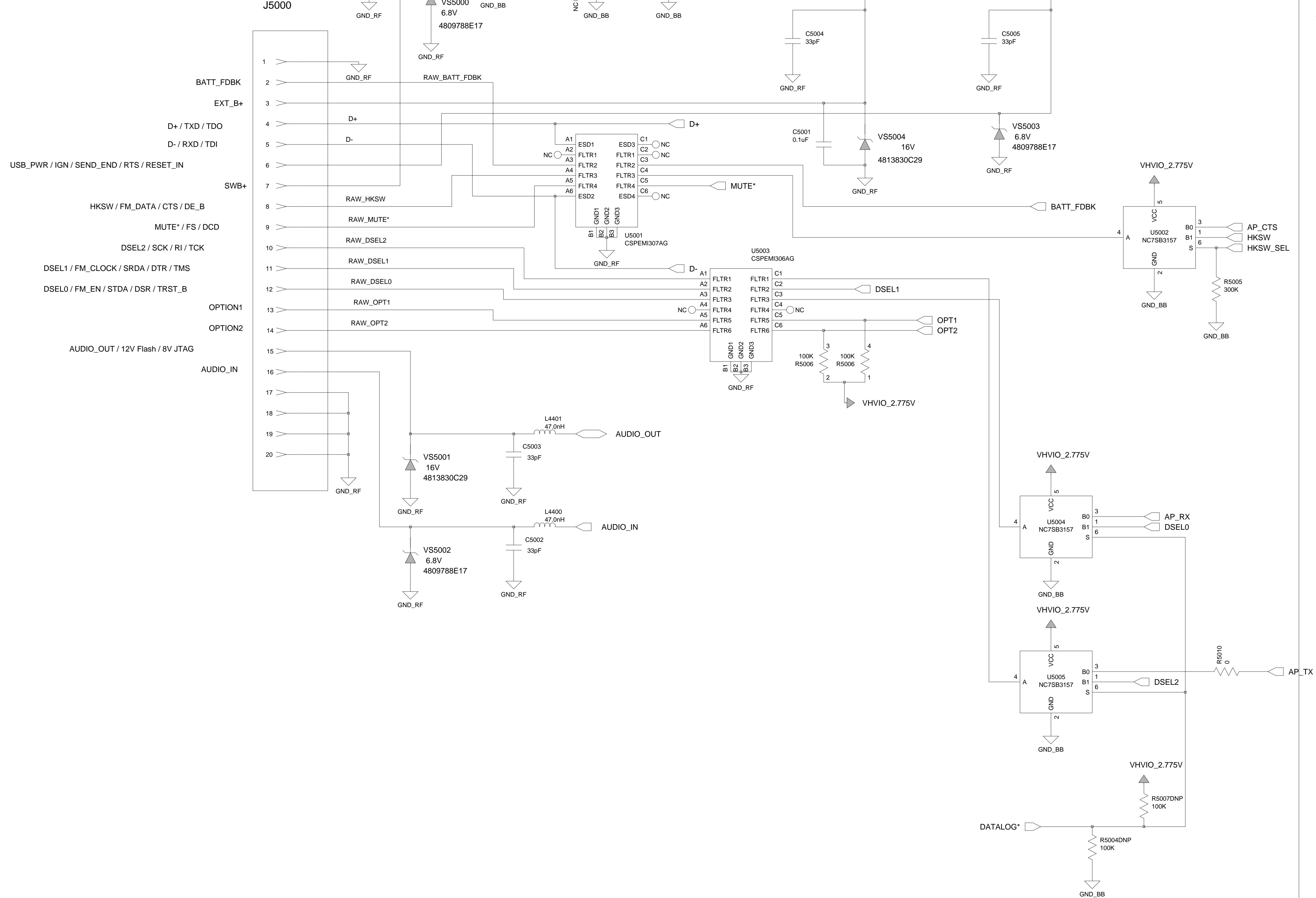
C

D



MOTOROLA CONFIDENTIAL PROPRIETARY

### Accessory Connector CE Connector (0987636K06)



Engineer: John Kerr	MOTOROLA INC.		
Drawn by:	TITLE: PARAGON CE Accessory Connector		
R&D CHK:	REV:	Drawing Number:	Page: Of:
DOC CTRL CHK:	11/01/01		
MFG CTRL CHK:			
QA CHK:			
Changed by: John S. Kerr	Date: 11/01/01	Time:	

11/01/01

Changed bypass ground on Audio IN/OUT from BB to GND\_RF.



