

Engineer ccl003	COMPANY NAME Address City			Size D
Drawn by Chris Leyh R&D CHK				
DOC CTRL CHK	TITLE			
MFG CTRL CHK				
QA CHK	REV	Drawing Number	Sheet	of

Changed by: ccl003
 Date Changed: Friday, February 28, 2003
 Time: 10:20:44 am

HARMONY Sections

A

B

C

D

E

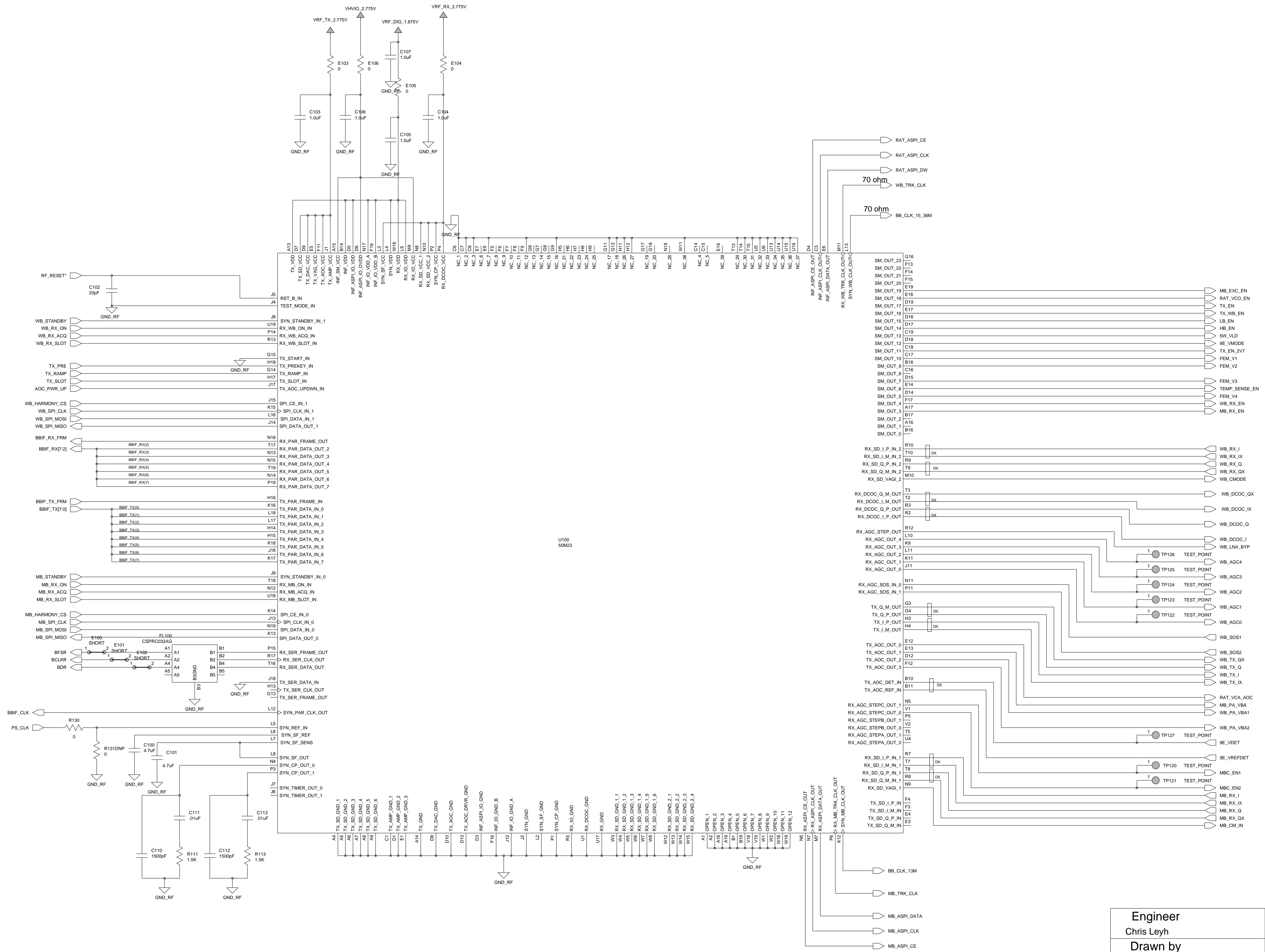
A

B

C

D

E



Engineer Chris Leyh	COMPANY NAME Address City		
Drawn by ccl003			
R&D CHK	TITLE HARMONY	Size D	
DOC CTRL CHK			
MFG CTRL CHK			
QA CHK	REV 1	Drawing Number	Sheet of

Changed by
ccl003

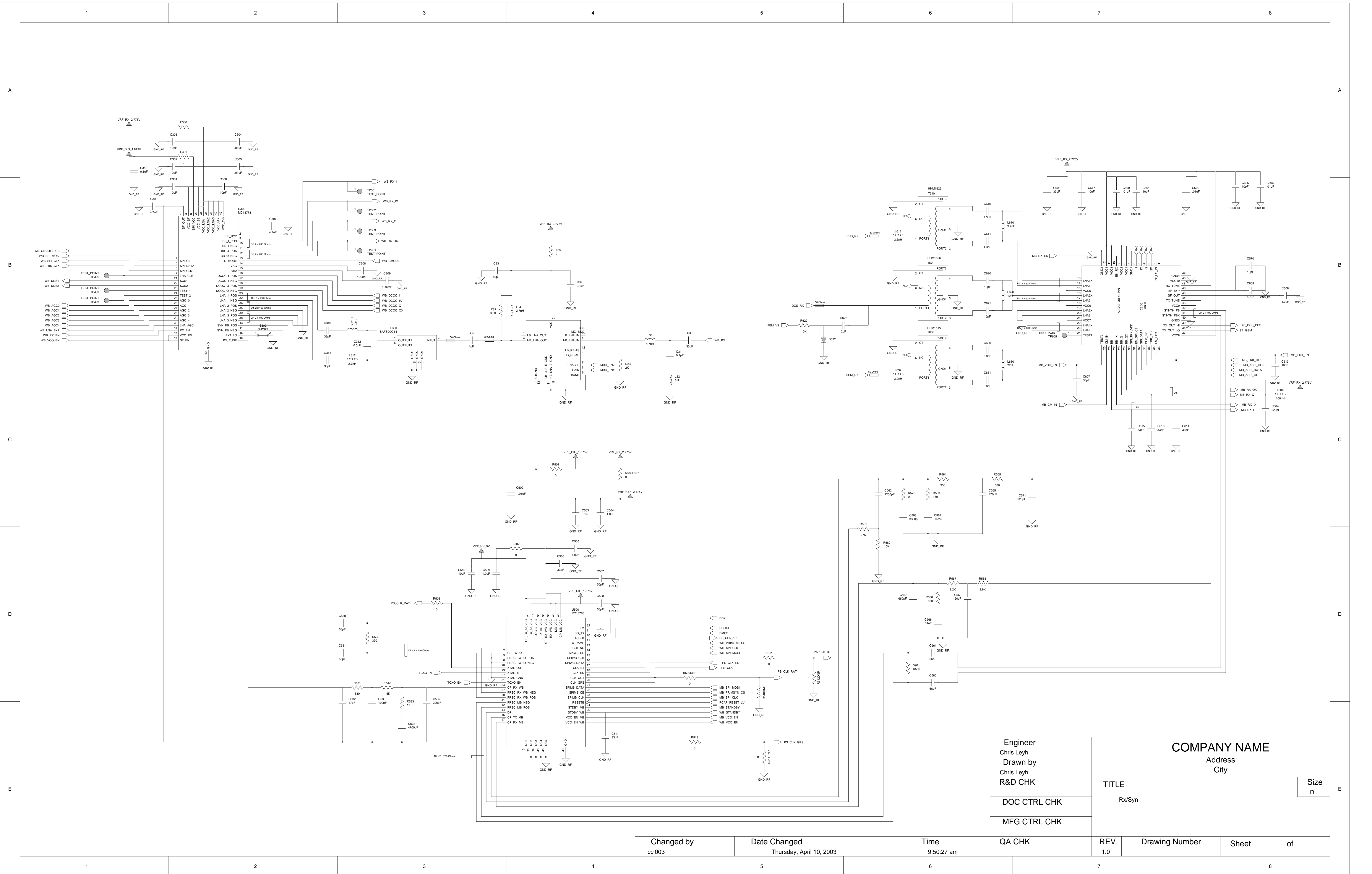
Date Changed
Thursday, April 17, 2003

Time
12:06:46 pm

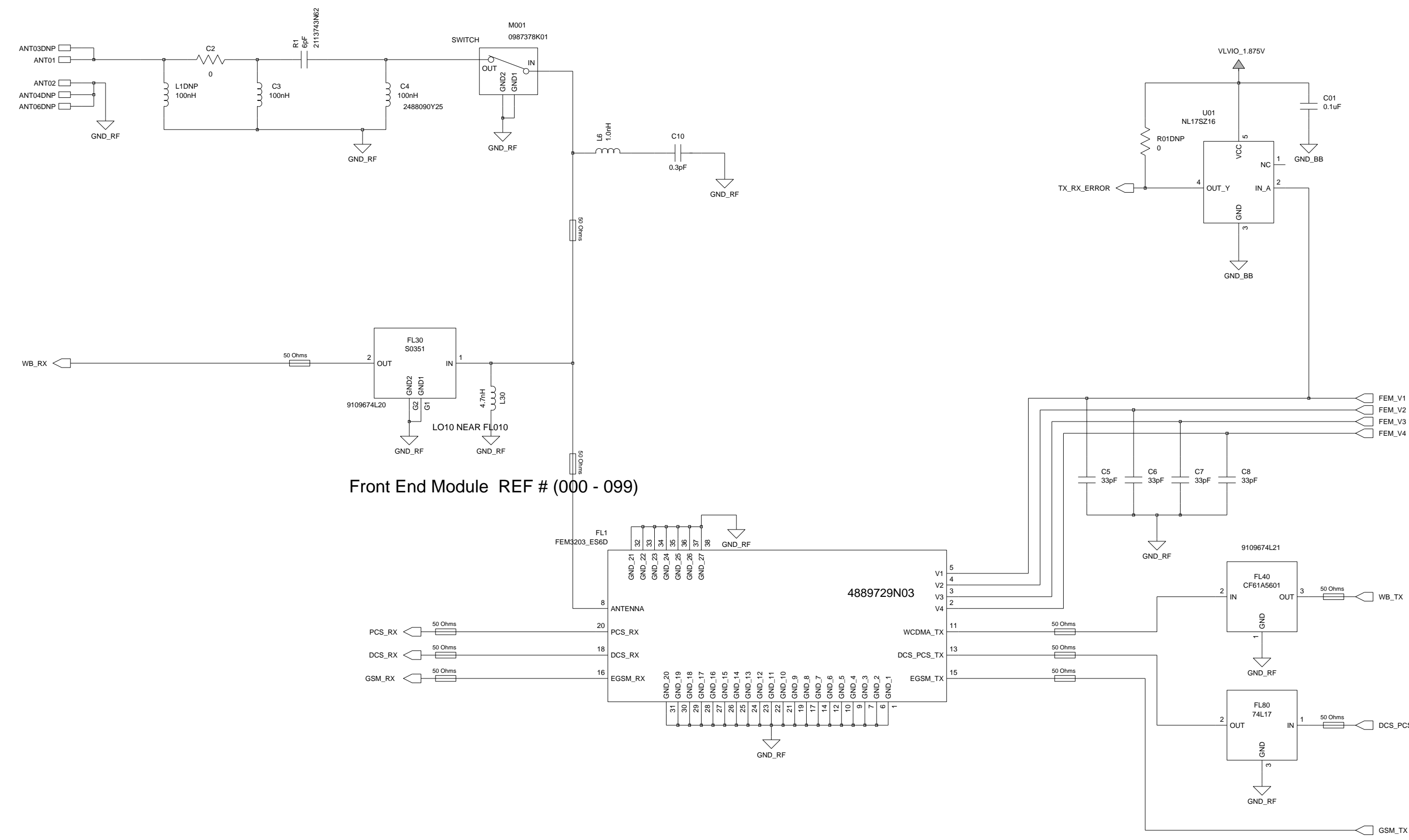
REV
1

Drawing Number

Sheet
of



Engineer Chris Leyh	COMPANY NAME Address City		
Drawn by Chris Leyh			
R&D CHK	TITLE Rx/Syn	Size D	
DOC CTRL CHK	REV 1.0	Drawing Number	
MFG CTRL CHK	Sheet	of	
QA CHK	REV 1.0	Drawing Number	
Changed by ccl003	Date Changed Thursday, April 10, 2003	Time 9:50:27 am	
1	2	3	
4	5	6	
7	8		



Front End Module REF # (000 - 099)

Engineer Chris Leyh	COMPANY NAME Address City		
Drawn by ccl003			
R&D CHK	TITLE Quad Band Front End Module	Size D	
DOC CTRL CHK			
MFG CTRL CHK			
QA CHK	REV 1	Drawing Number	Sheet of

Changed by ccl003	Date Changed Thursday, April 17, 2003	Time 8:25:56 am
----------------------	--	--------------------

1 2 3 4 5 6 7 8

A

B

C

D

E

A

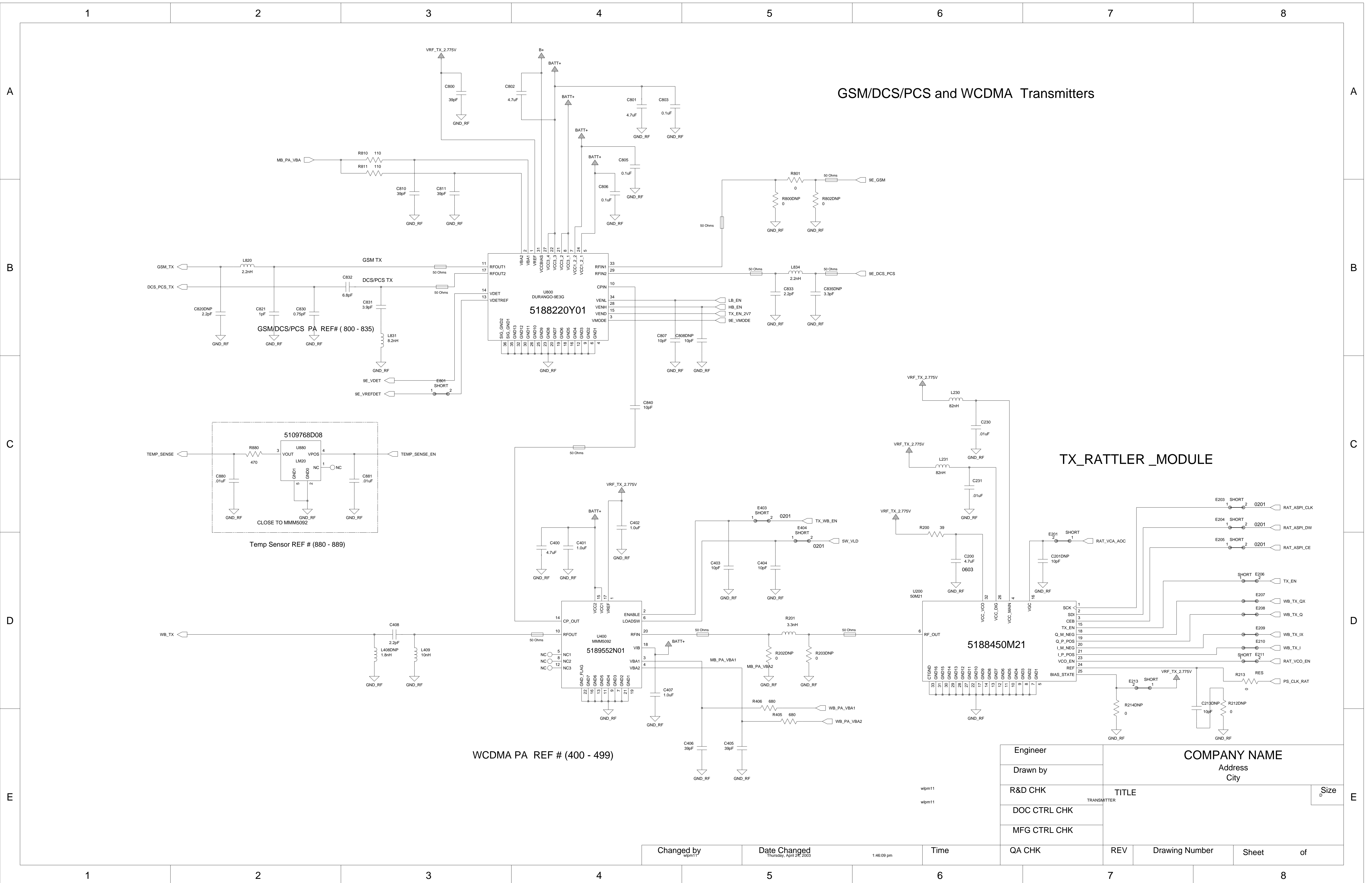
B

C

D

E

1 2 3 4 5 6 7 8



GSM/DCS/PCS and WCDMA Transmitters

TX_RATTLER_MODULE

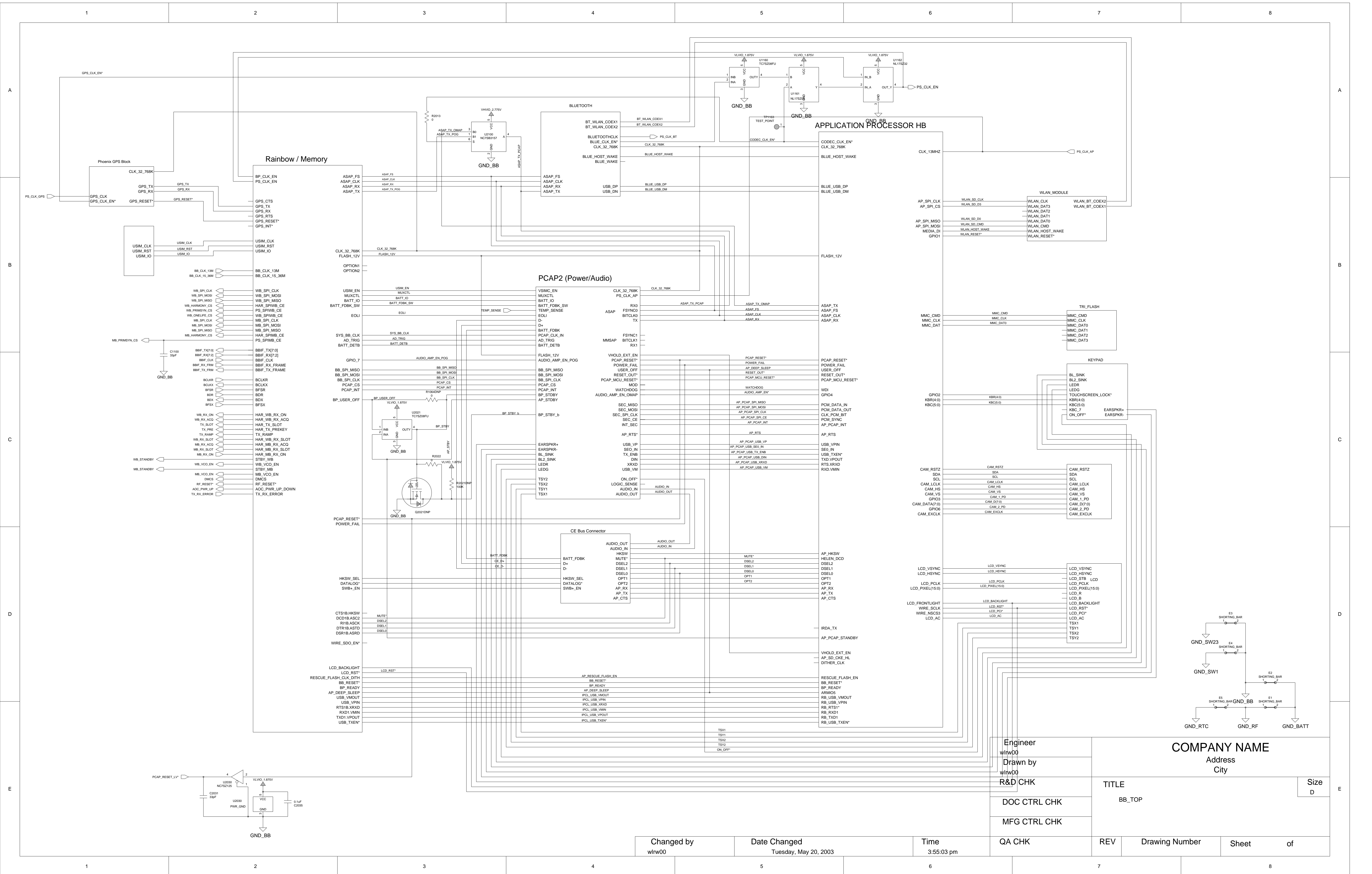
WCDMA PA REF # (400 - 499)

GSM/DCS/PCS PA REF# (800 - 835)

Temp Sensor REF # (880 - 889)

Engineer	COMPANY NAME		
Drawn by	Address		
R&D CHK	City		
DOC CTRL CHK	TITLE	Size	
MFG CTRL CHK	TRANSMITTER		
QA CHK	REV	Drawing Number	Sheet of

Changed by	Date Changed	Time
wipm11	Thursday, April 24, 2003	1:46:09 pm



Engineer
 wlrw00
 Drawn by
 wlrw00
 R&D CHK
 DOC CTRL CHK
 MFG CTRL CHK
 QA CHK


COMPANY NAME
 Address
 City

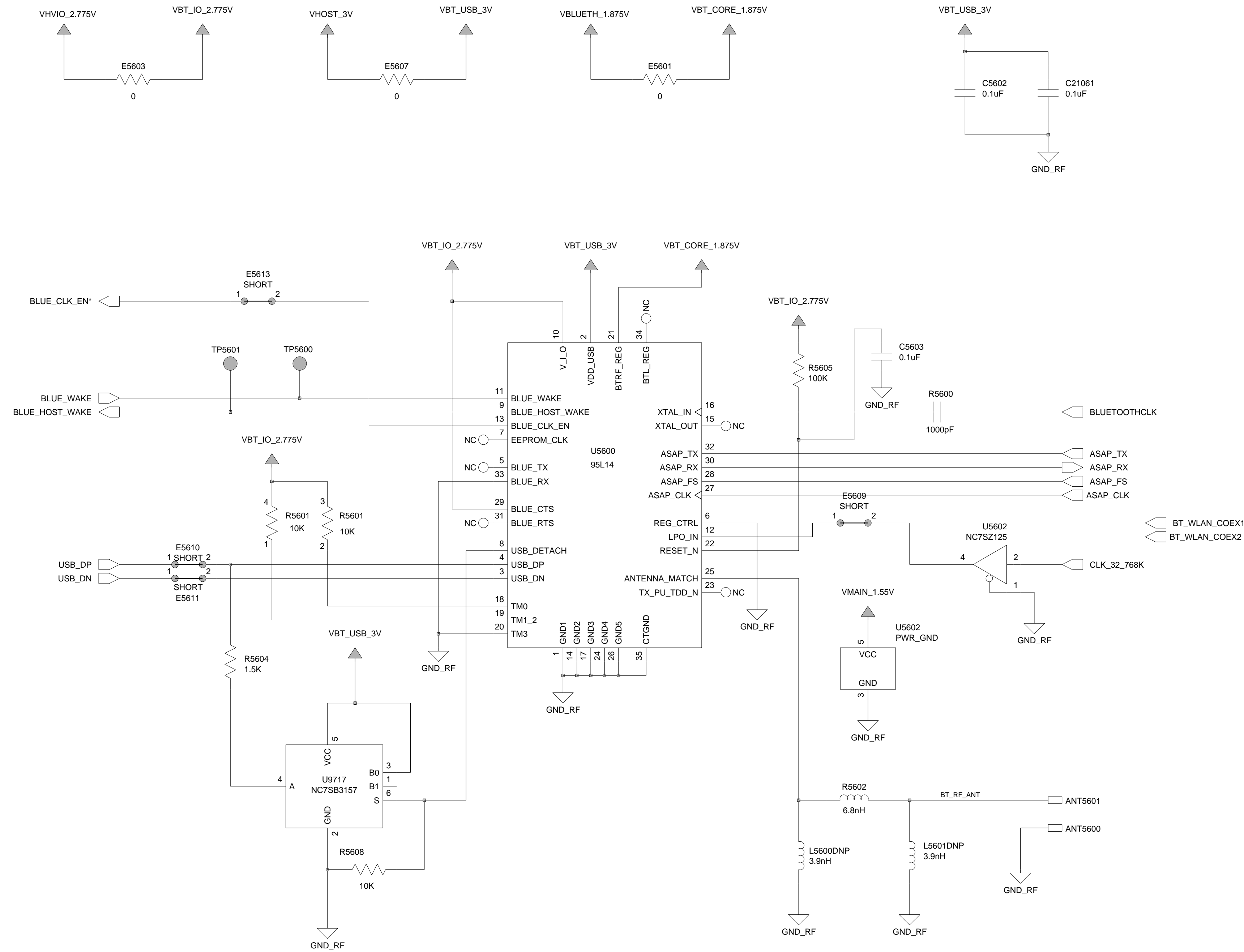
TITLE
 BB_TOP
 REV
 Drawing Number
 Sheet of

Changed by wlrw00
 Date Changed Tuesday, May 20, 2003
 Time 3:55:03 pm

MOTOROLA INTERNAL USE ONLY

4 1 3 A

Engineer: Danny Ng				
Drawn by: Danny Ng				
R&D CHK:	TITLE: BLUETOOTH	Size: 11x17		
DOC CTRL CHK:				
MFG CTRL CHK:				
QA CHK:	REV: 1	Drawing Number:	Page: 1	Of: 1
Changed by: w15660	Date: Friday, July 11, 2003	Time: 3:07:09 pm		



1

2

3

4

MOTOROLA CONFIDENTIAL PROPRIETARY

4 1 3 A

Engineer:
Ed Naddeo

Drawn by:
Ed Naddeo

R&D CHK:

DOC CTRL CHK:

MFG CTRL CHK:

QA CHK:

Changed by:
Chris Pipe

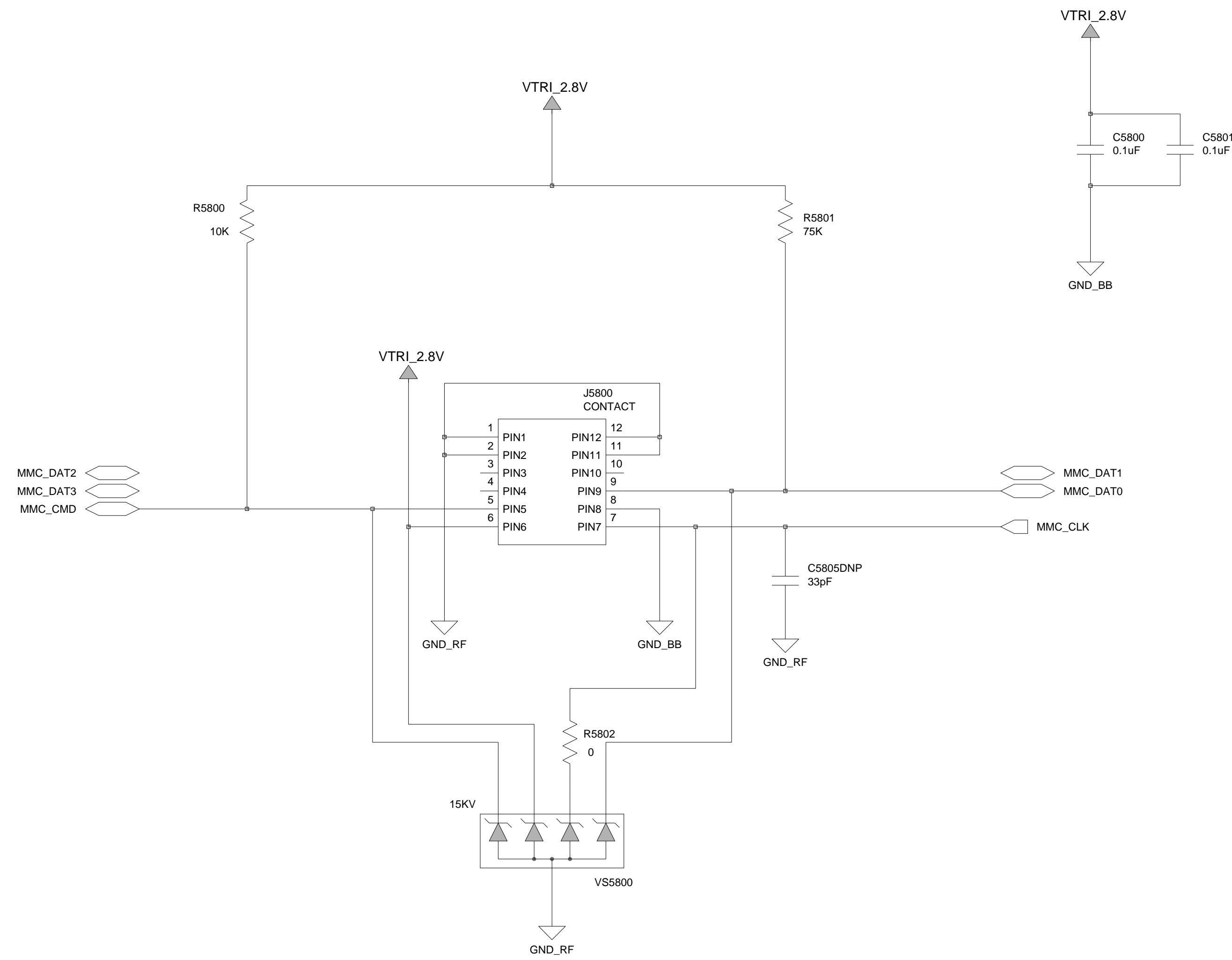


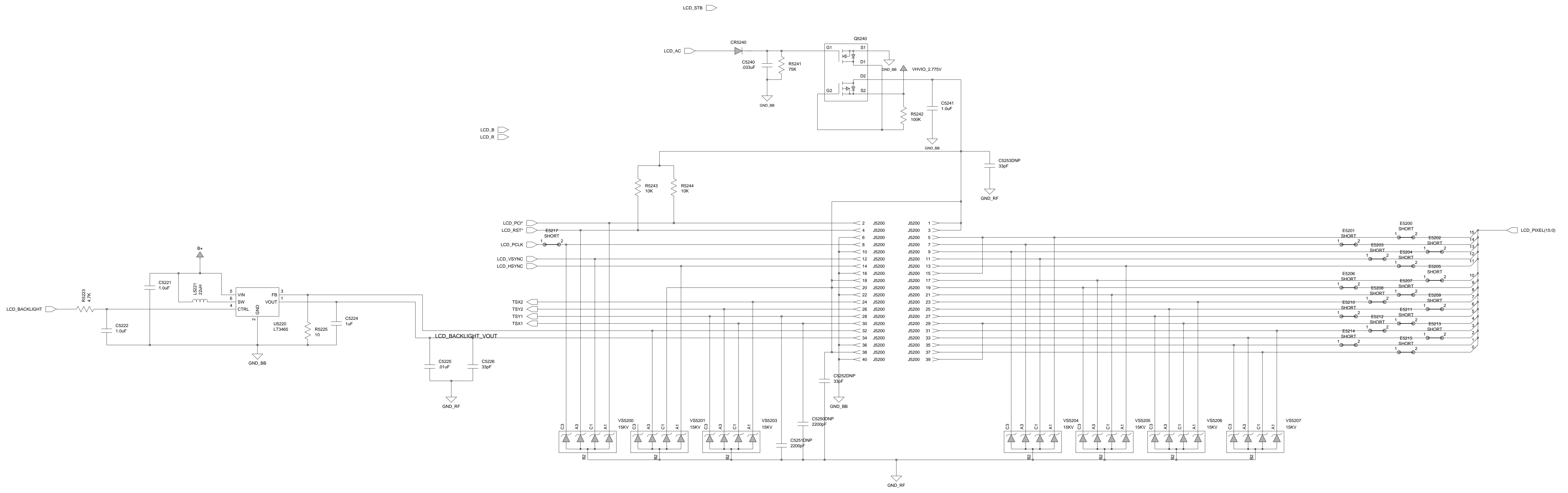
TITLE: Talon Integrated Embedded SD Flash

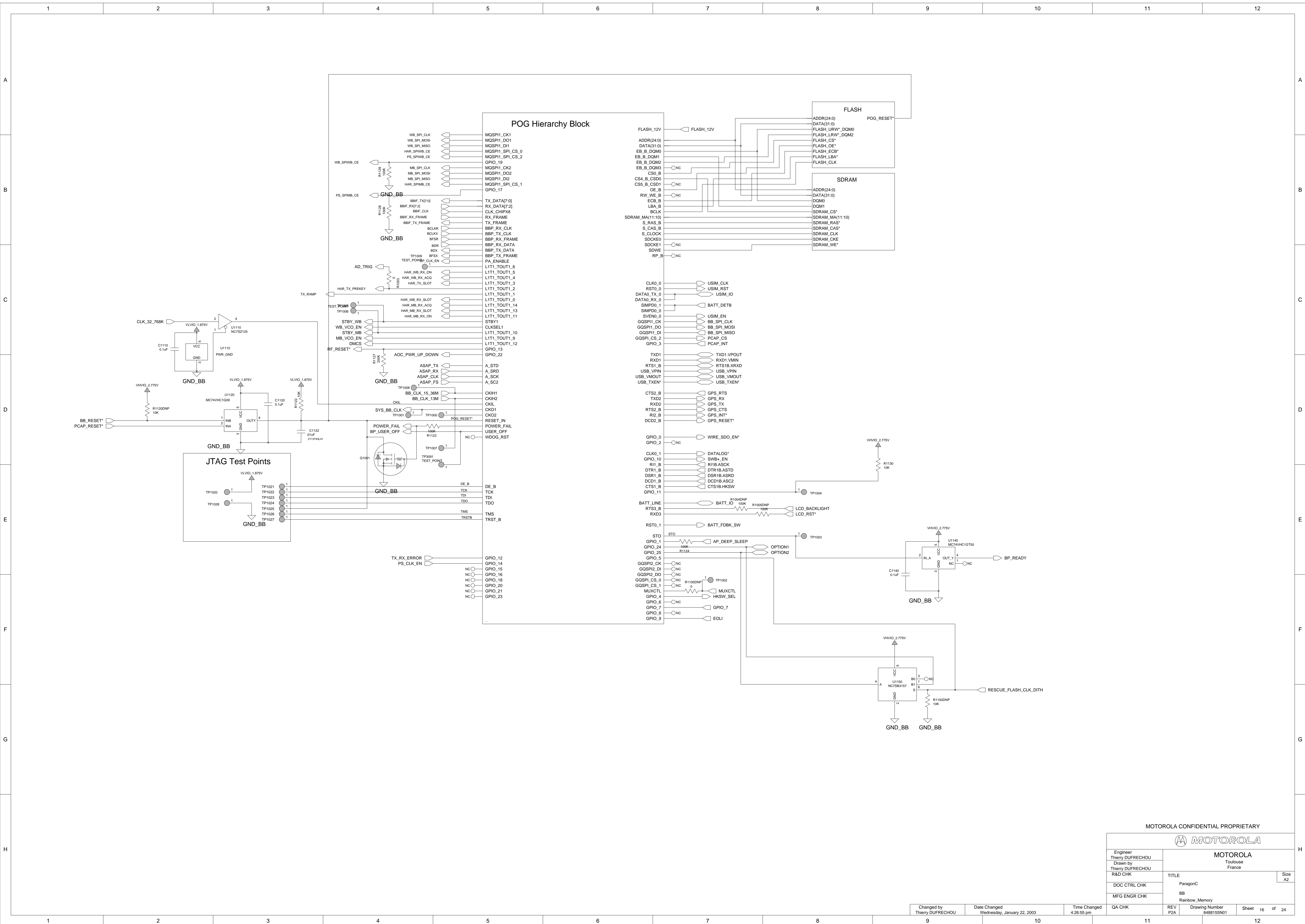
Size: 11x17

REV: 1.0 Drawing Number: 84888888x88 Page: 1 Of: 1

Date: Friday, May 3, 2002 Time: 1:25:03 pm





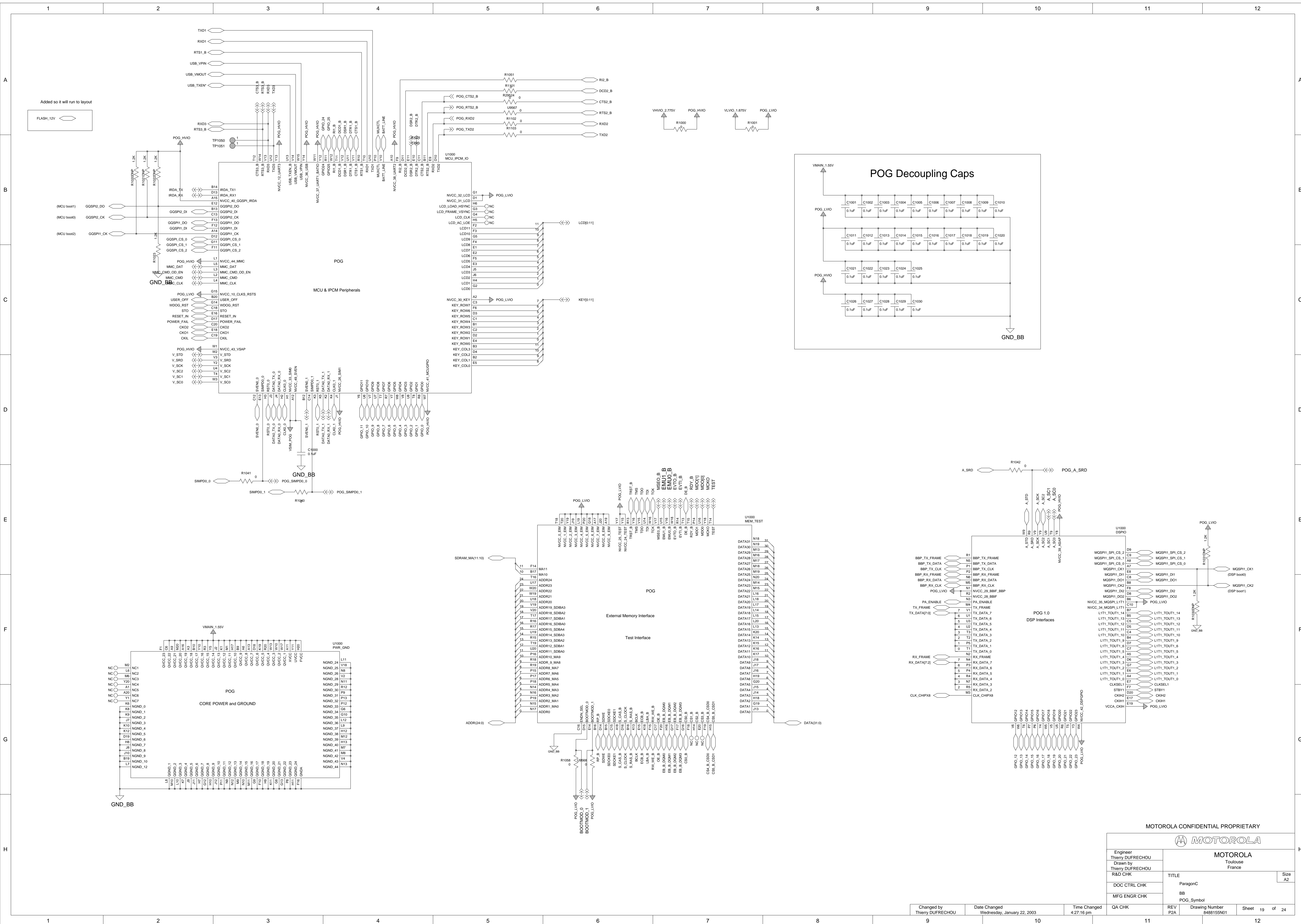


MOTOROLA CONFIDENTIAL PROPRIETARY



Engineer Thierry DUFRECHOU	MOTOROLA Toulouse France		Size A2
Drawn by Thierry DUFRECHOU			
R&D CHK	TITLE		
DOC CTRL CHK	ParagonC		
MFG ENGR CHK	BB Rainbow_Memory		
QA CHK	REV P2A	Drawing Number 8488155N01	Sheet 16 of 24

Changed by: Thierry DUFRECHOU
Date Changed: Wednesday, January 22, 2003
Time Changed: 4:28:55 pm

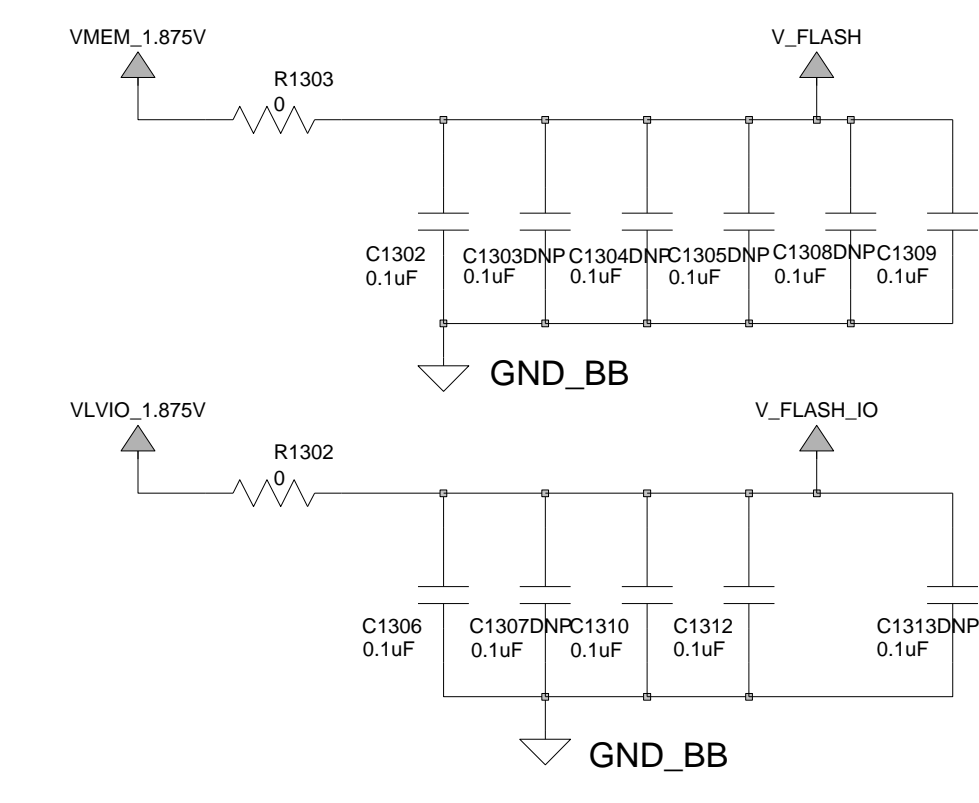
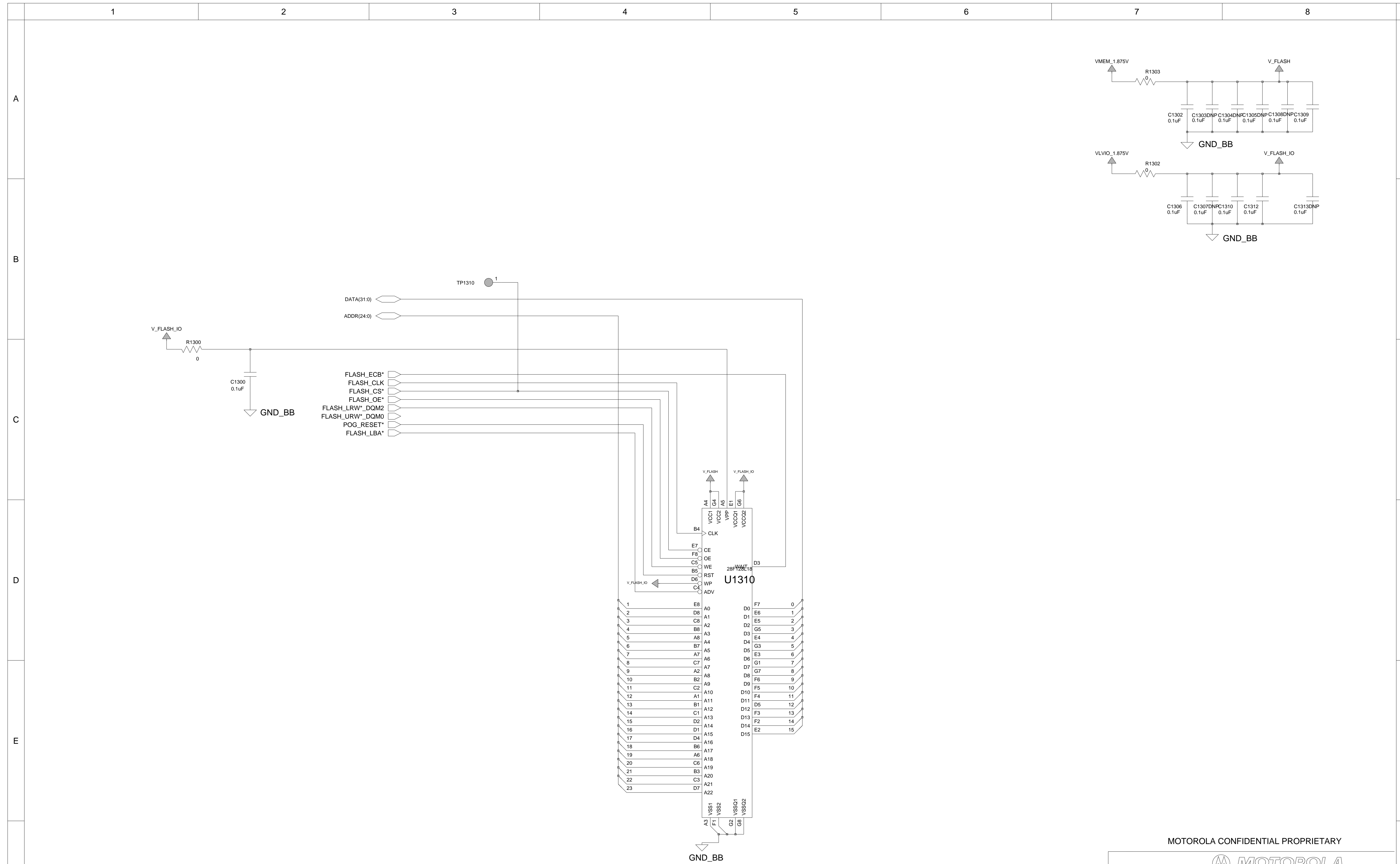


MOTOROLA CONFIDENTIAL PROPRIETARY



Engineer Thierry DUFRECHOU	MOTOROLA Toulouse France		Size A2
Drawn by Thierry DUFRECHOU	TITLE ParagonC		
R&D CHK	BB		
DOC CTRL CHK	POG_Symbol		
MFG ENGR CHK	REV P2A	Drawing Number 8488155N01	Sheet 19 of 24

Changed by Thierry DUFRECHOU	Date Changed Wednesday, January 22, 2003	Time Changed 4:27:16 pm	QA CHK
---------------------------------	---	----------------------------	--------

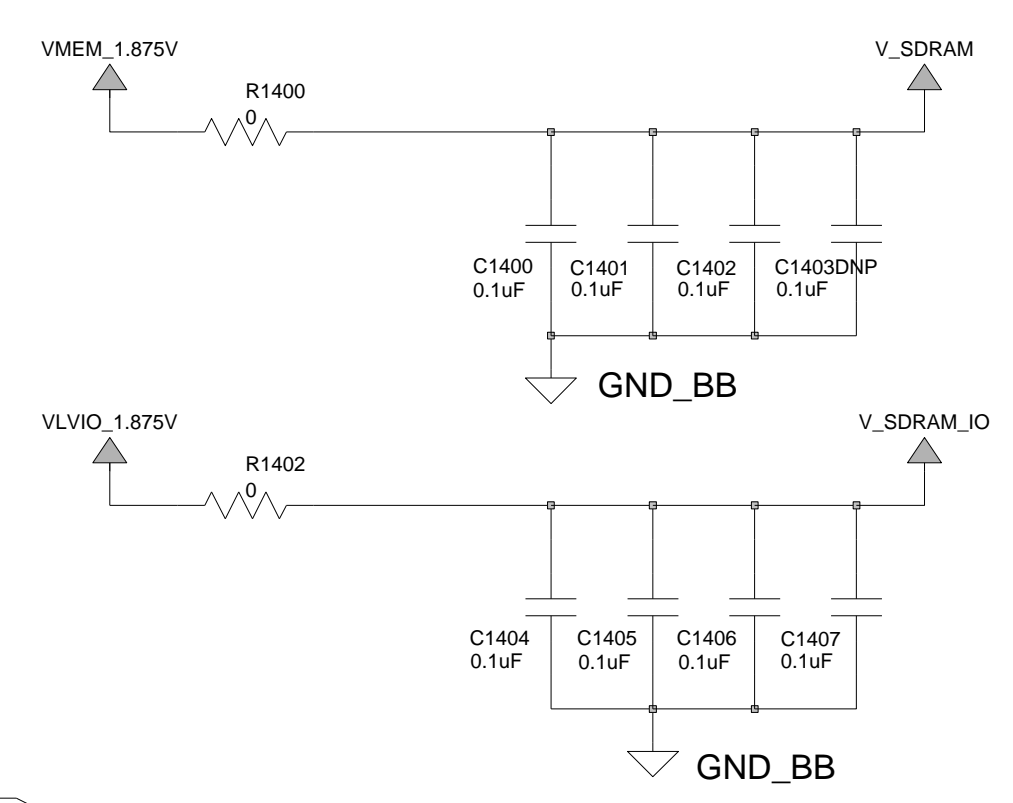
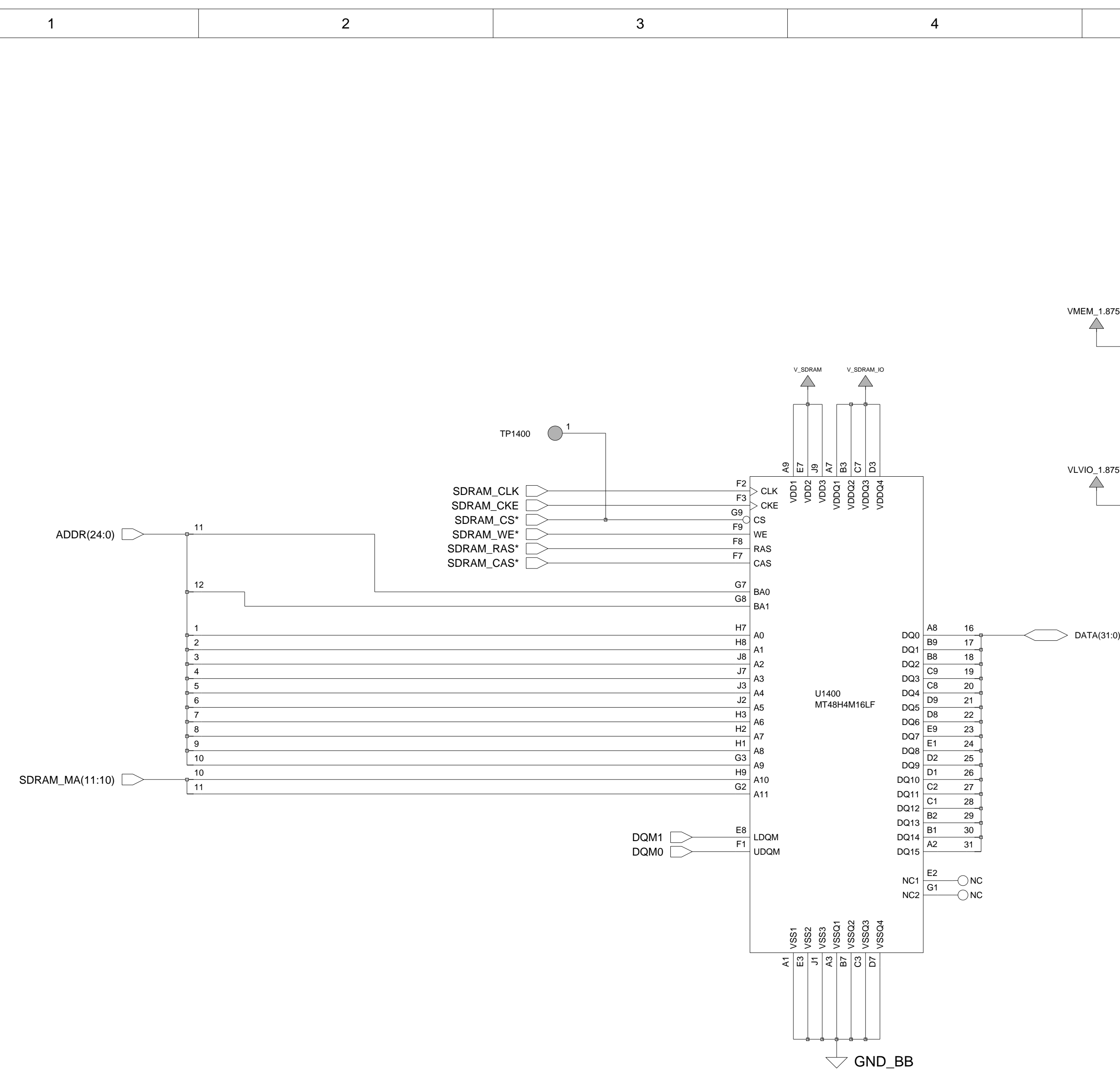


MOTOROLA CONFIDENTIAL PROPRIETARY



Engineer Thierry DUFRECHOU	MOTOROLA Toulouse France	Size A3
Drawn by Thierry DUFRECHOU		
R&D CHK		
DOC CTRL CHK		
MFG ENGR CHK	TITLE: ParagonC BB FLASH_Symbol	
QA CHK	REV P2A	Drawing Number 8488155N01

Changed by Thierry DUFRECHOU	Date Changed Wednesday, January 22, 2003	Time Changed 4:27:43 pm	Sheet 17 of 24
---------------------------------	---	----------------------------	----------------



SDRAM size	IAM=0(Non-Interleaved)	
	4Mx16	8Mx16
BA Connection		
BA0	SDBA0(ADDR11)	SDBA1(ADDR12)
BA1	SDBA1(ADDR12)	SDBA2(ADDR13)

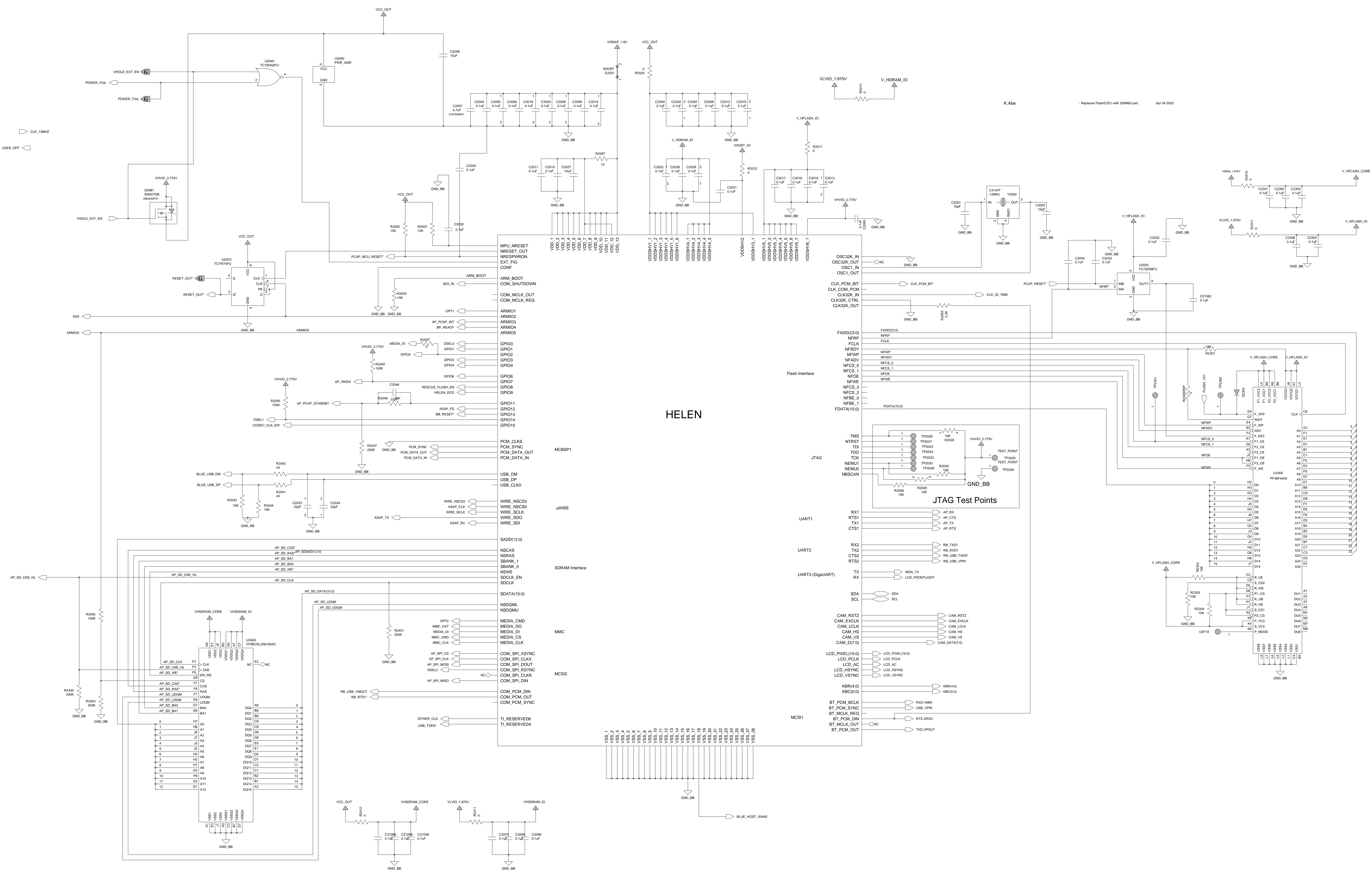
MOTOROLA CONFIDENTIAL PROPRIETARY



Engineer Thierry DUFRECHOU	MOTOROLA Toulouse France	Size A3
Drawn by Thierry DUFRECHOU		
R&D CHK		
DOC CTRL CHK		
MFG ENGR CHK	TITLE: ParagonC BB SDRAM_Symbol	
QA CHK	REV P2A	Drawing Number 8488155N01

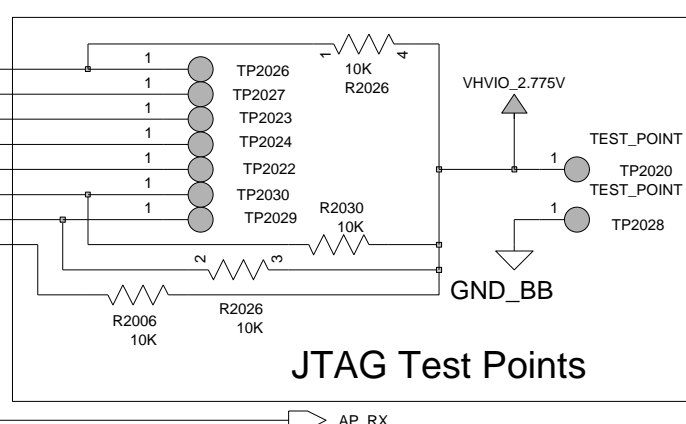
Changed by Thierry DUFRECHOU	Date Changed Wednesday, January 22, 2003	Time Changed 4:28:30 pm
---------------------------------	---	----------------------------

Sheet 18 of 24



HELEN

K.Ade
- Replaced Flash(C51) with 256Mbit part.
Apr 04 2003



Flash Interface

JTAG

UART1

UART2

UART3 (GigaUART)

SDA

CAM_RSTZ

LCD_PIXEL(15:0)

KBR(4:0)

BT_PCM_BCLK

- MPU_NRESET
- NRESET_OUT
- NRESETWON
- EXT_FIG
- CONF
- ARM_BOOT
- COM_SHUTDOWN
- COM_MCLK_OUT
- COM_MCLK_REQ
- ARMIO1
- ARMIO2
- ARMIO3
- ARMIO4
- ARMIO5
- GPIO0
- GPIO1
- GPIO2
- GPIO3
- GPIO4
- GPIO6
- GPIO7
- GPIO8
- GPIO9
- GPIO11
- GPIO12
- GPIO13
- GPIO14
- GPIO15
- PCAP_CLKS
- PCAP_SYNC
- PCAP_DATA_OUT
- PCAP_DATA_IN
- USB_DM
- USB_DP
- USB_CLK0
- WIRE_NSCS3
- WIRE_NSCS0
- WIRE_SCLK
- WIRE_SDO
- WIRE_SDI
- SDDA(12:0)
- NSCAS
- NSRAS
- SBANK_1
- SBANK_0
- NSWE
- SDCLK_EN
- SDCLK
- SDATA(15:0)
- NSDQML
- NSDQMU
- MEDIA_CMD
- MEDIA_DO
- MEDIA_DI
- MEDIA_CS
- MEDIA_CLK
- COM_SPL_XSYNC
- COM_SPL_CLKX
- COM_SPL_DOUT
- COM_SPL_RSTSYNC
- COM_SPL_CLKR
- COM_SPL_DIN
- COM_PCM_DIN
- COM_PCM_OUT
- COM_PCM_SYNC
- TL_RESERVED6
- TL_RESERVED4
- VSS1
- VSS2
- VSS3
- VSS4
- VSS5
- VSS6
- VSS7
- VSS8
- VSS9
- VSS10
- VSS11
- VSS12
- VSS13
- VSS14
- VSS15
- VSS16
- VSS17
- VSS18
- VSS19
- VSS20
- VSS21
- VSS22
- VSS23
- VSS24
- VSS25
- VSS26
- VSS27
- VSS28

MCBSP1

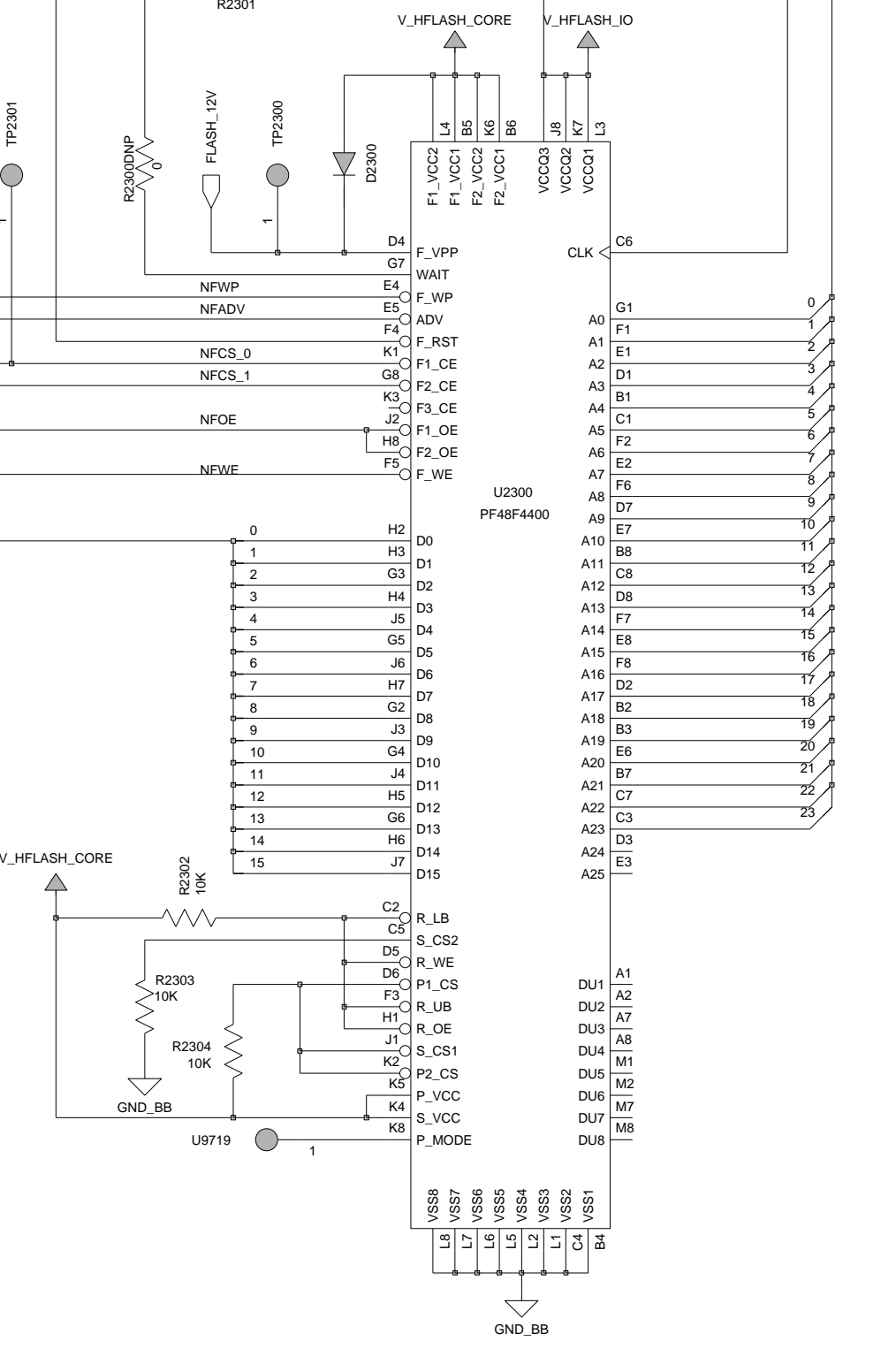
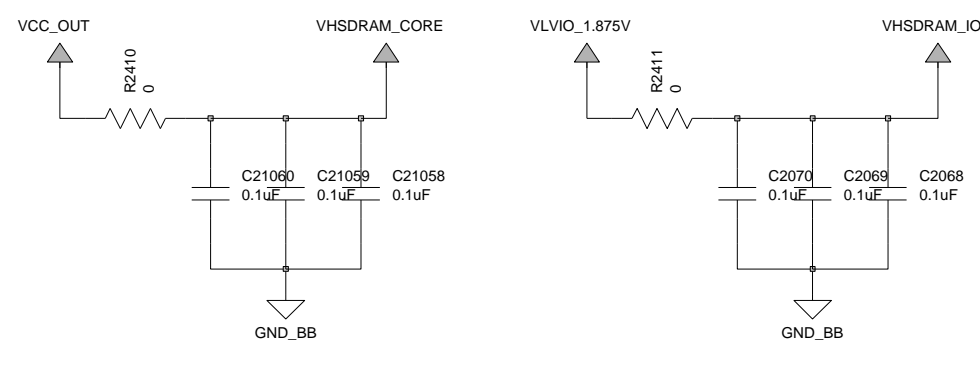
uWIRE

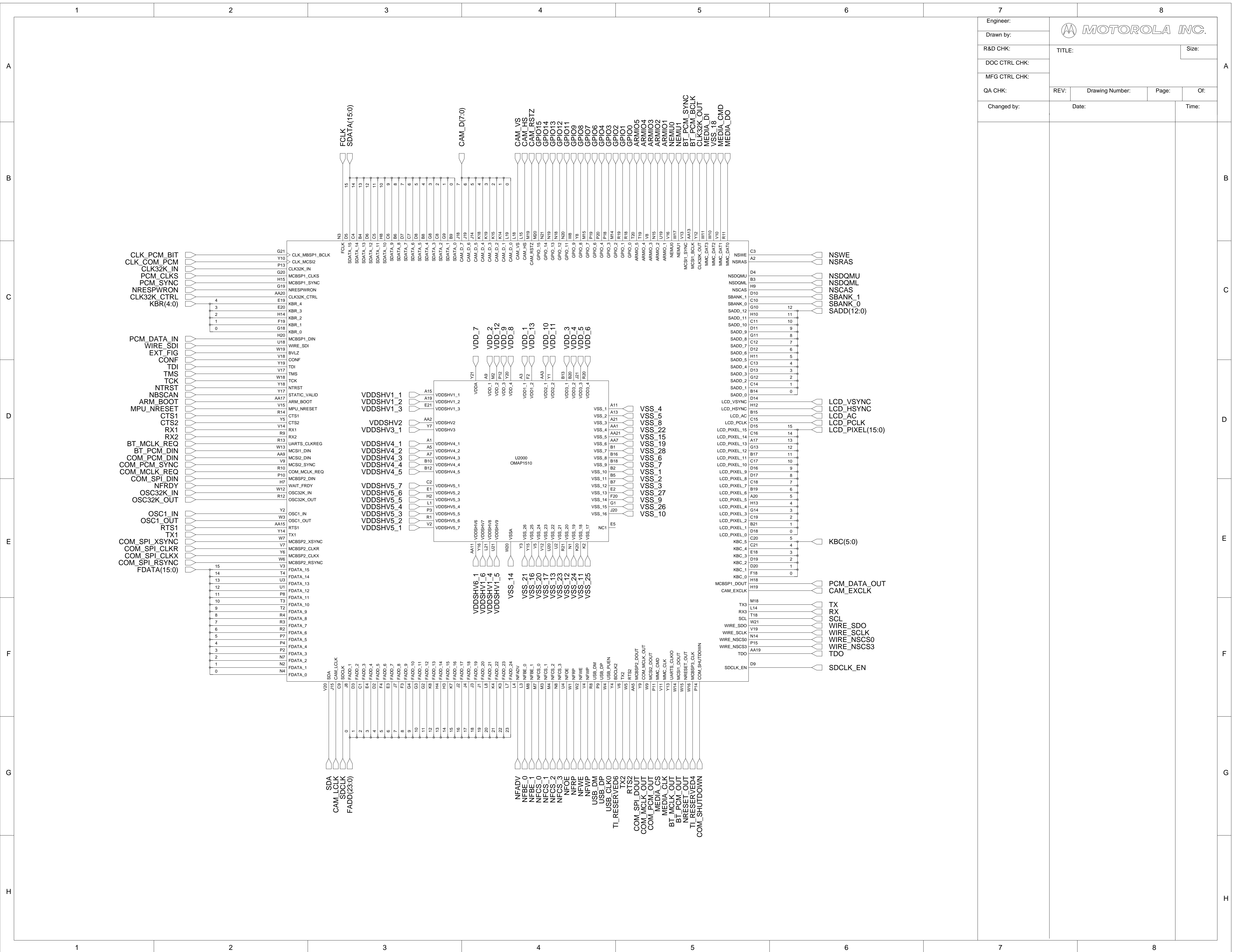
SDRAM Interface

MMC

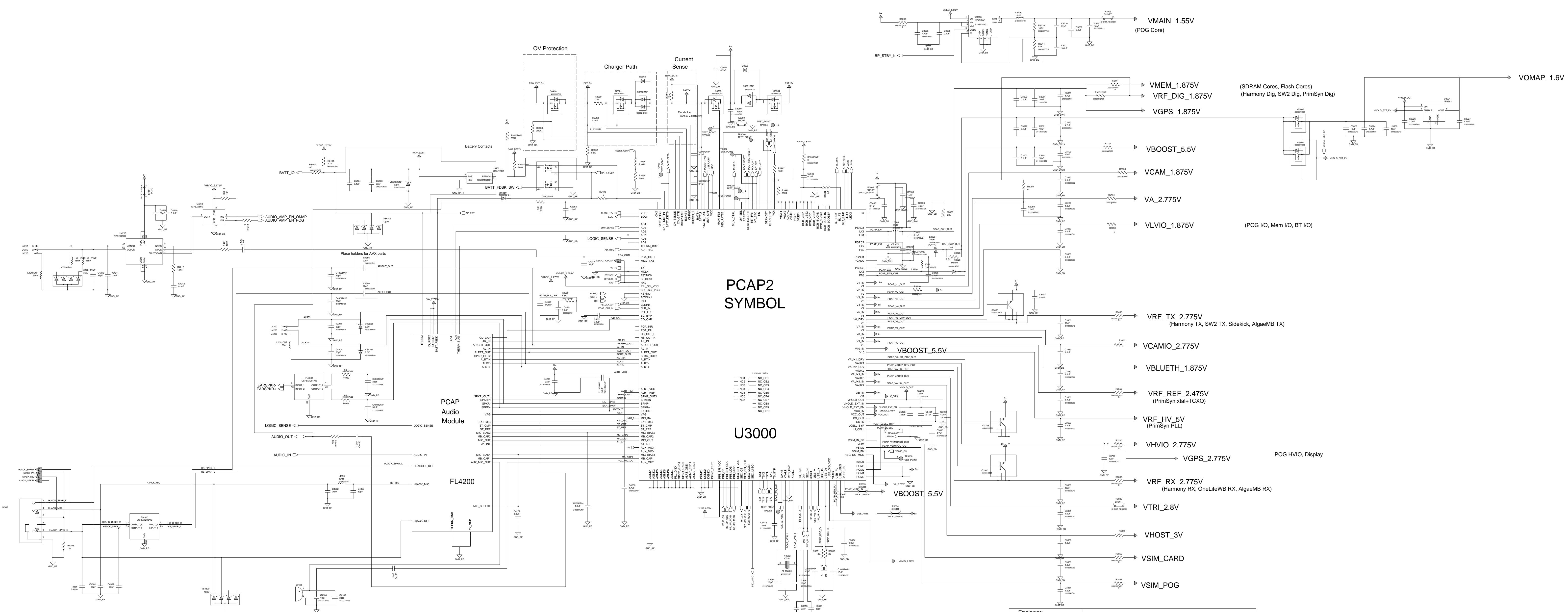
MCSI2

MCSI1





Engineer:	MOTOROLA INC.		
Drawn by:	TITLE:	Size:	
R&D CHK:			
DOC CTRL CHK:			
MFG CTRL CHK:			
QA CHK:	REV:	Drawing Number:	Page: Of:
Changed by:	Date:		Time:

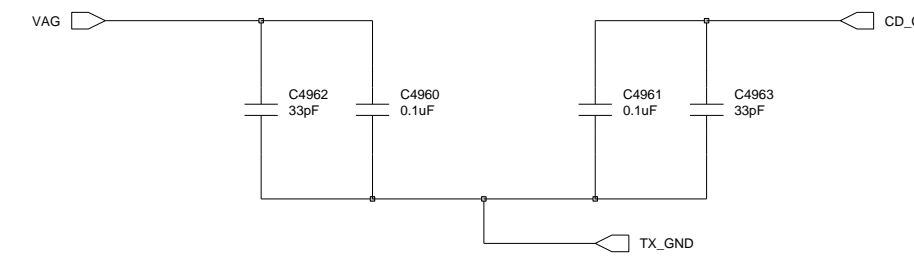


Plot Scale = 0.8

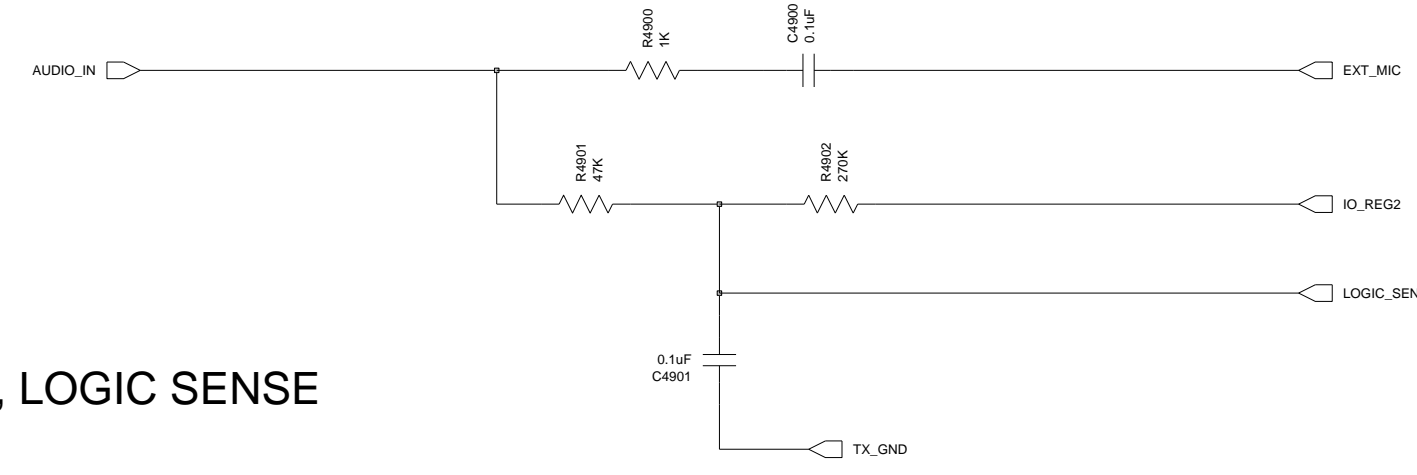
Engineer: Bokchan Koh			
Drawn by: Bokchan Koh			
R&D CHK:	TITLE: 3G FUN	Size:	
DOC CTRL CHK:	Power and Audio		
MFG CTRL CHK:	REV:	Drawing Number:	Page: Of:
QA CHK:	Date: 4/9/03	Time: 1:36:56 pm	
Changed by: Bokchan Koh			

AUDIO_OUT, ON_OFF

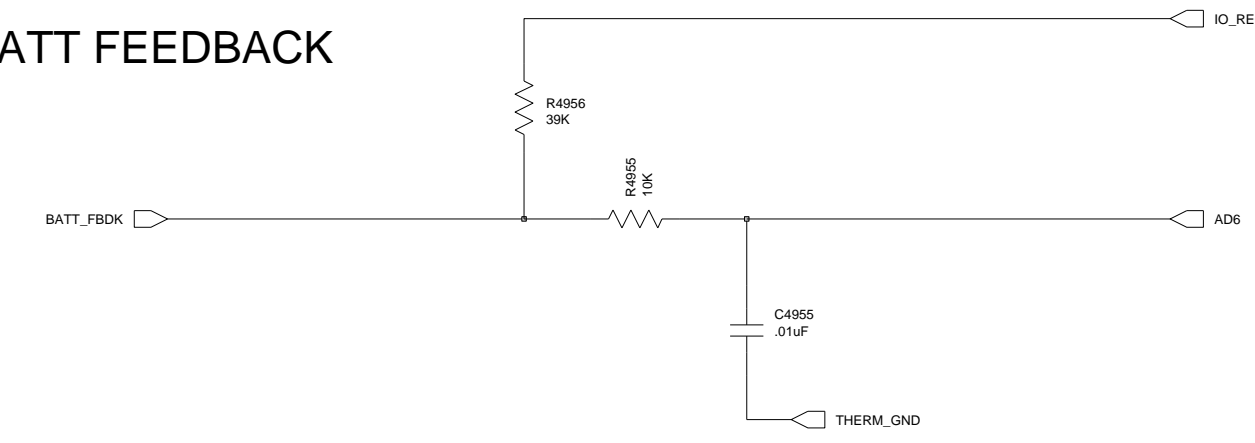
AUDIO FILTERS



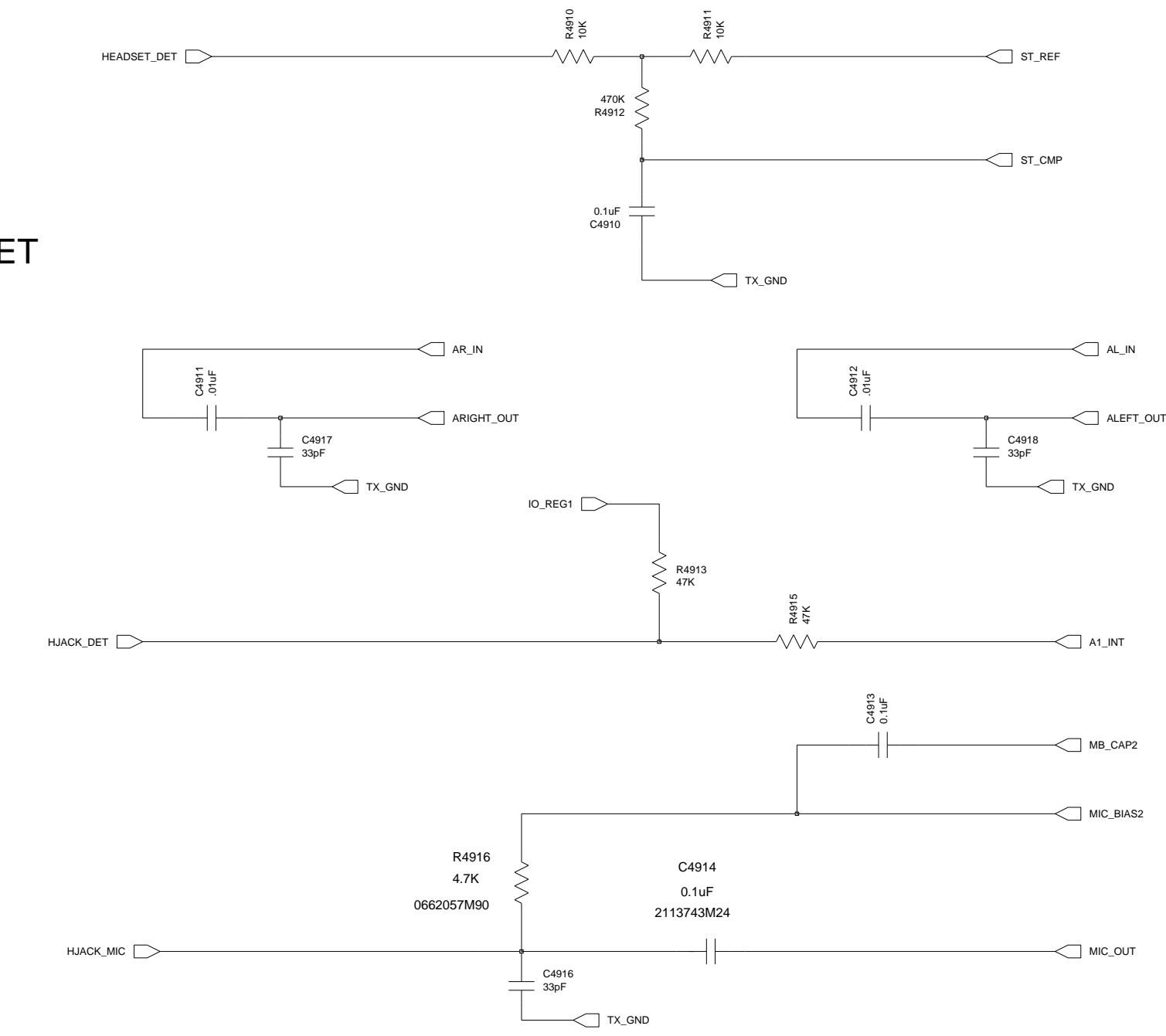
AUDIO_IN, LOGIC SENSE



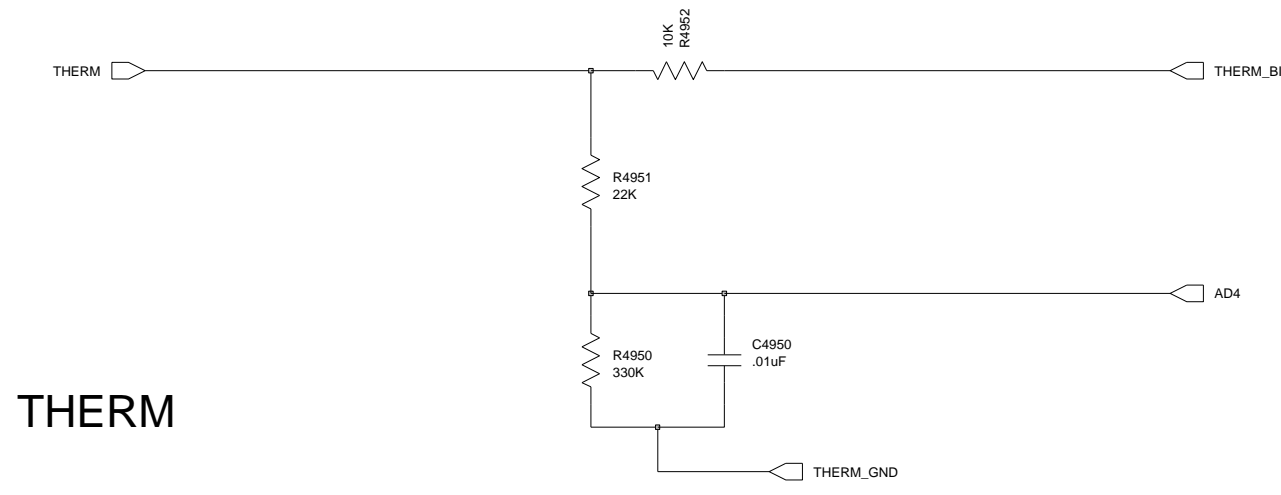
BATT FEEDBACK



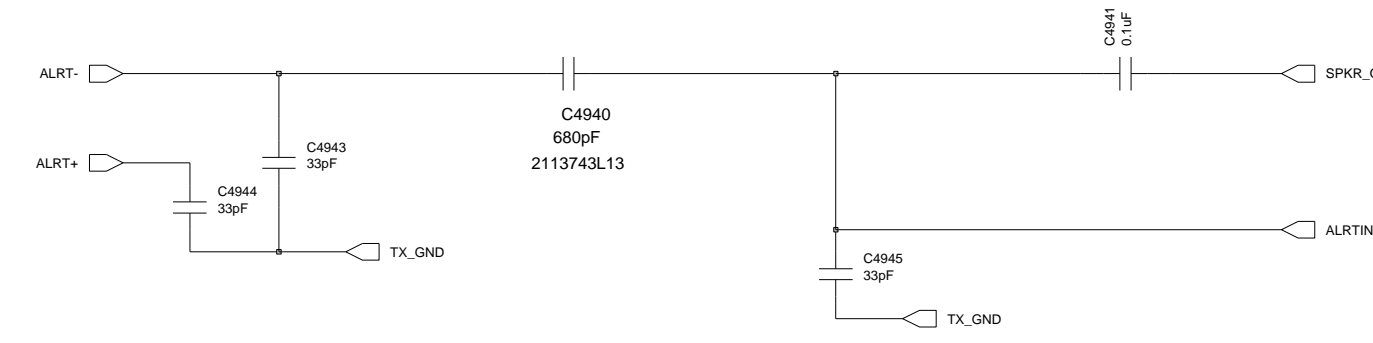
HEADSET



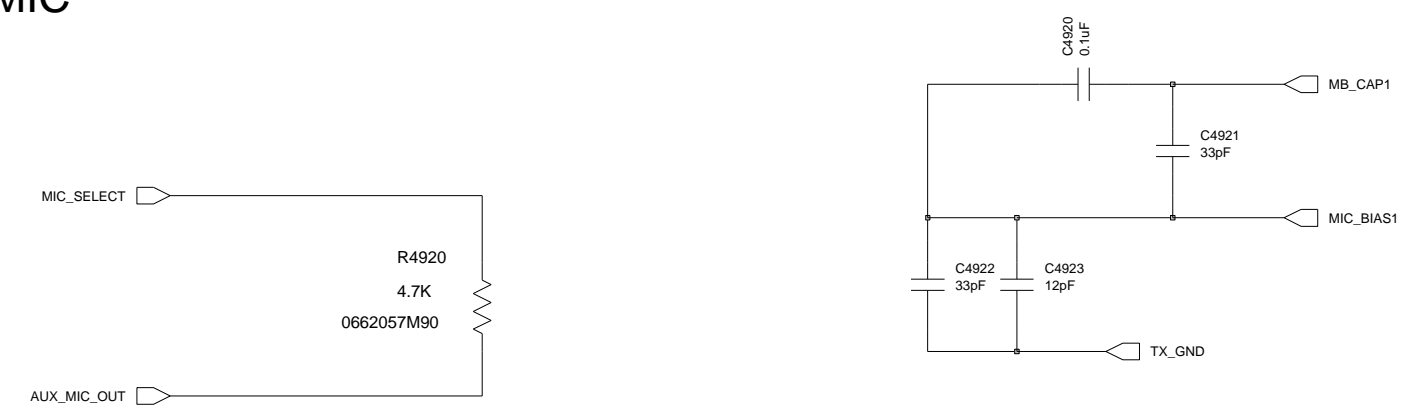
THERM



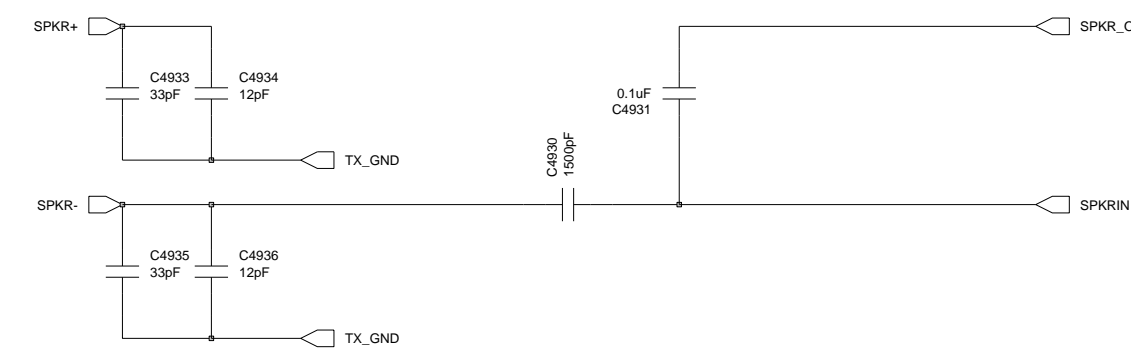
ALERT SPEAKER RIGHT - DO NOT DNP

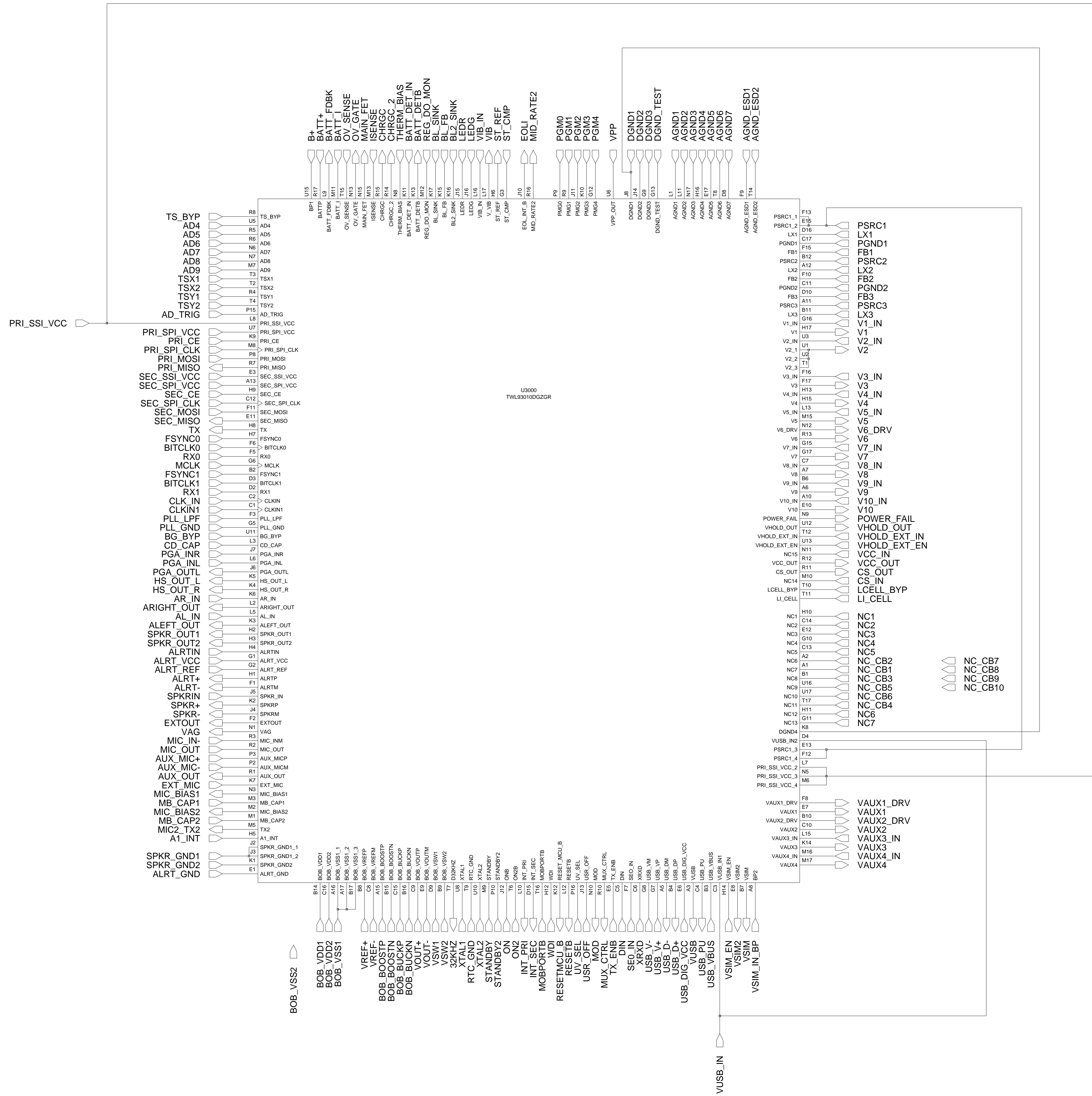


HANDSET MIC

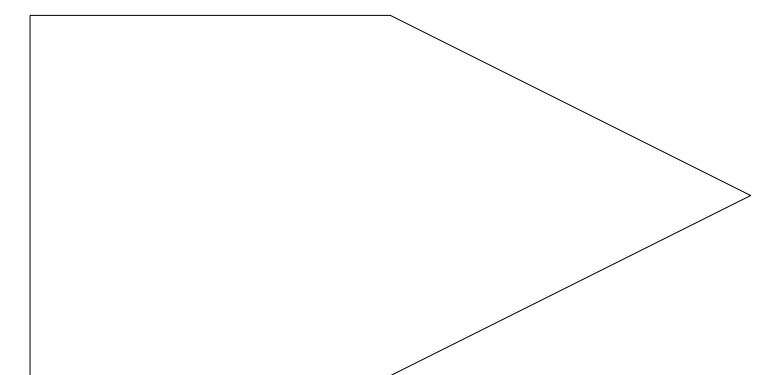


HANDSET SPEAKER





WLAN_CLK



WLAN_DAT3



WLAN_DAT2



WLAN_DAT1



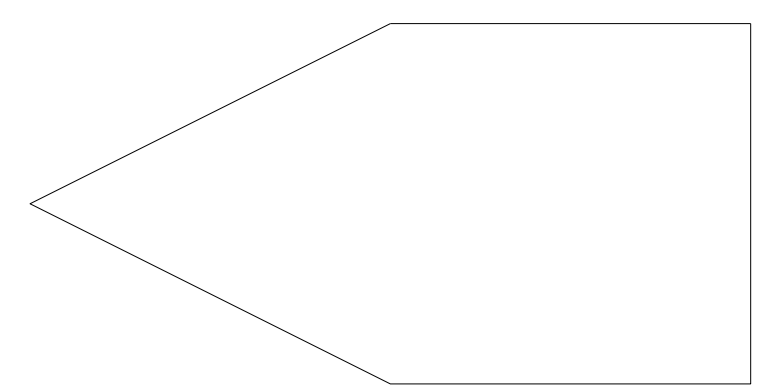
WLAN_DAT0



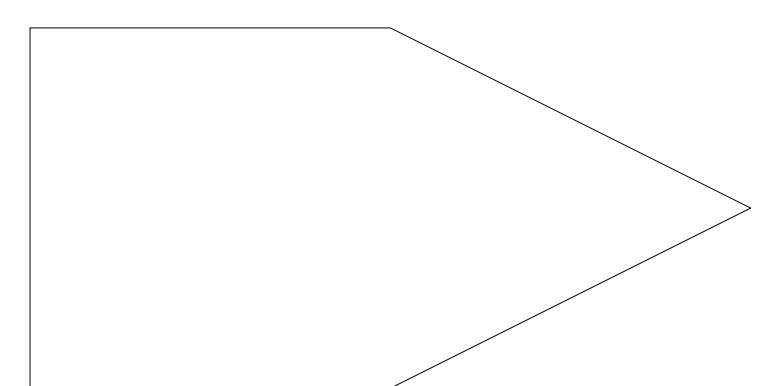
WLAN_CMD



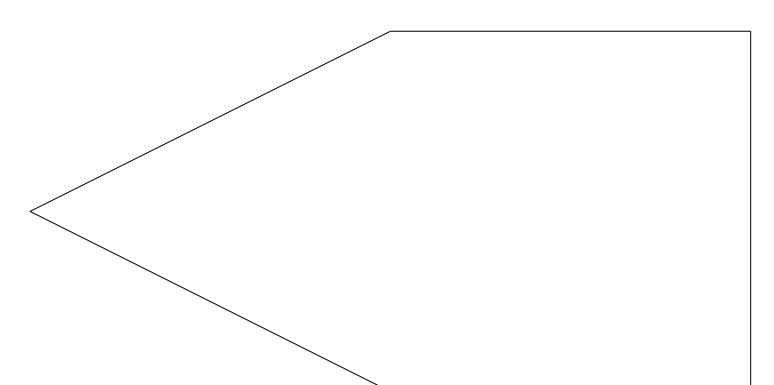
WLAN_HOST_WAKE



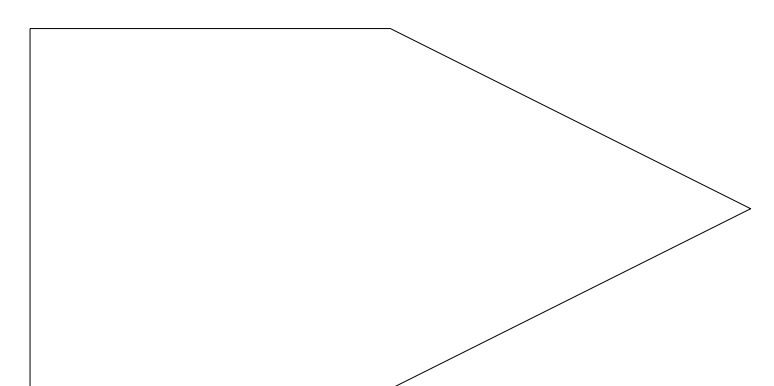
WLAN_RESET*



WLAN_BT_COEX1

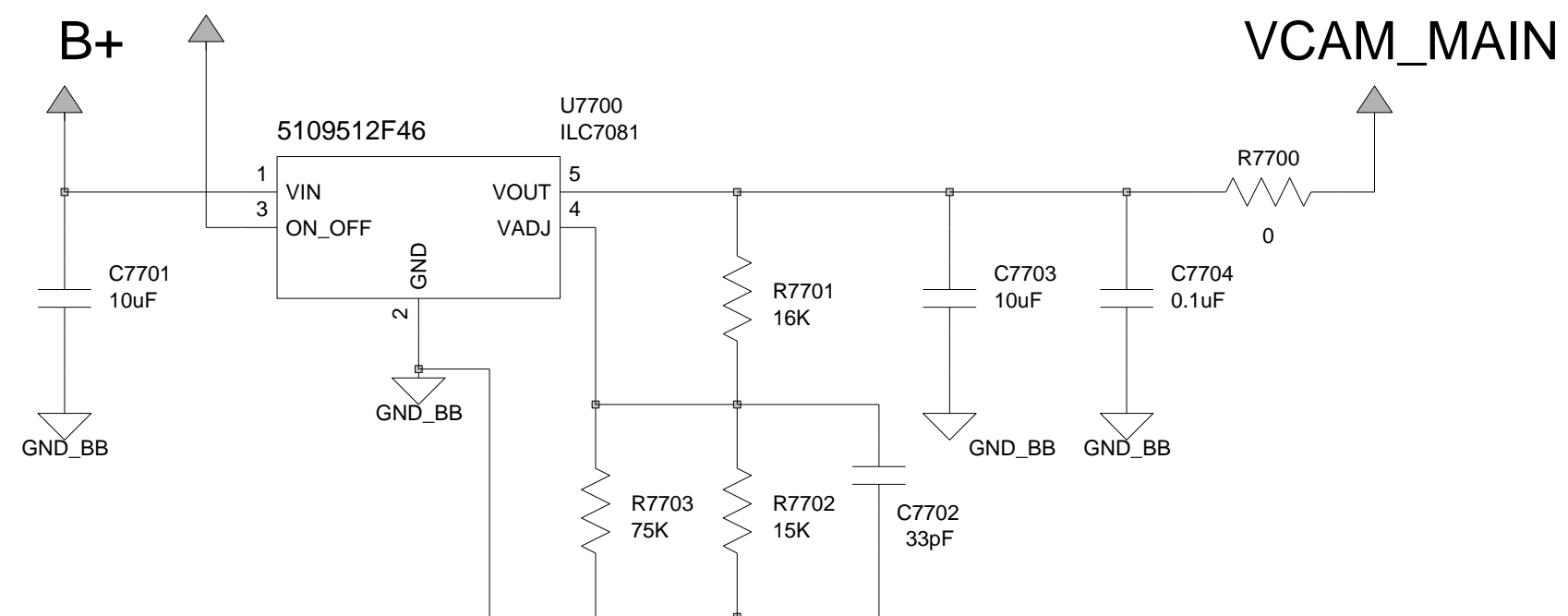


WLAN_BT_COEX2



A1000 CAMERA - single flex dual camera (VGA & MP)

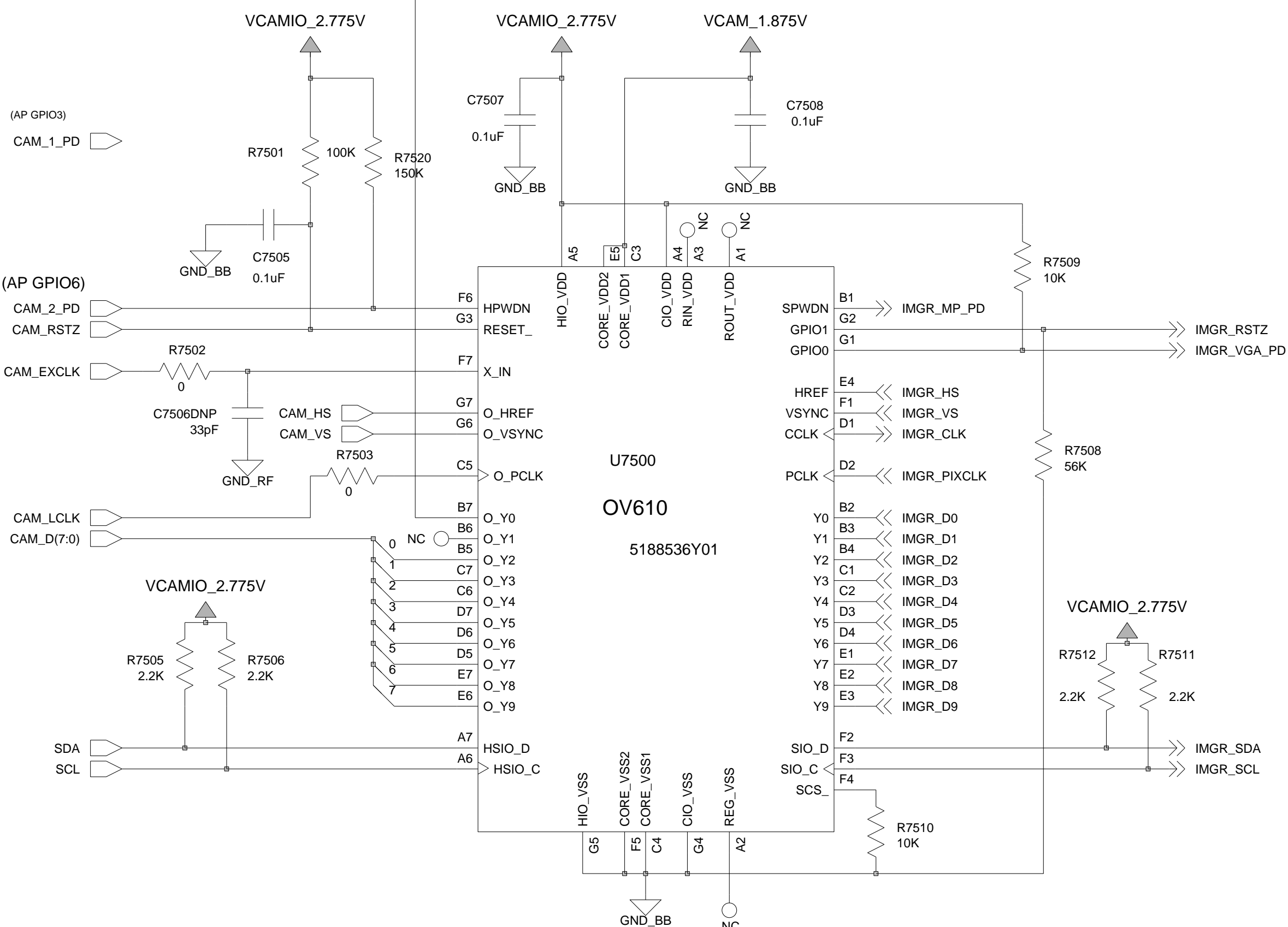
VCAMIO_2.775V



Use single BB_GND node for regulator.

O_Y[0]: Hi-Z =>VCAM = 2.5V ; Low (GND) =>VCAM = 2.85V

Liberator IC



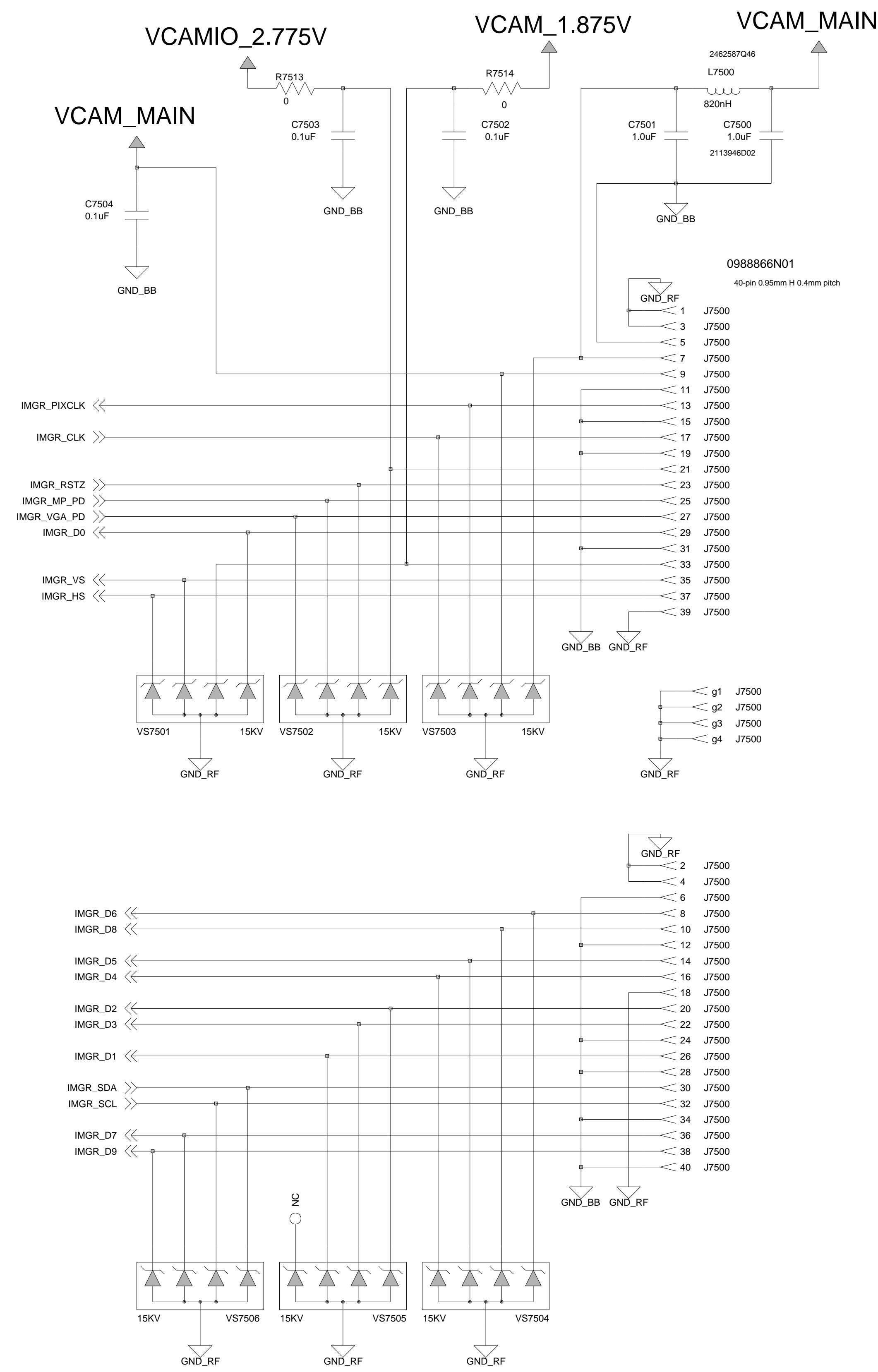
OV610

5188536Y01

5188536Y01

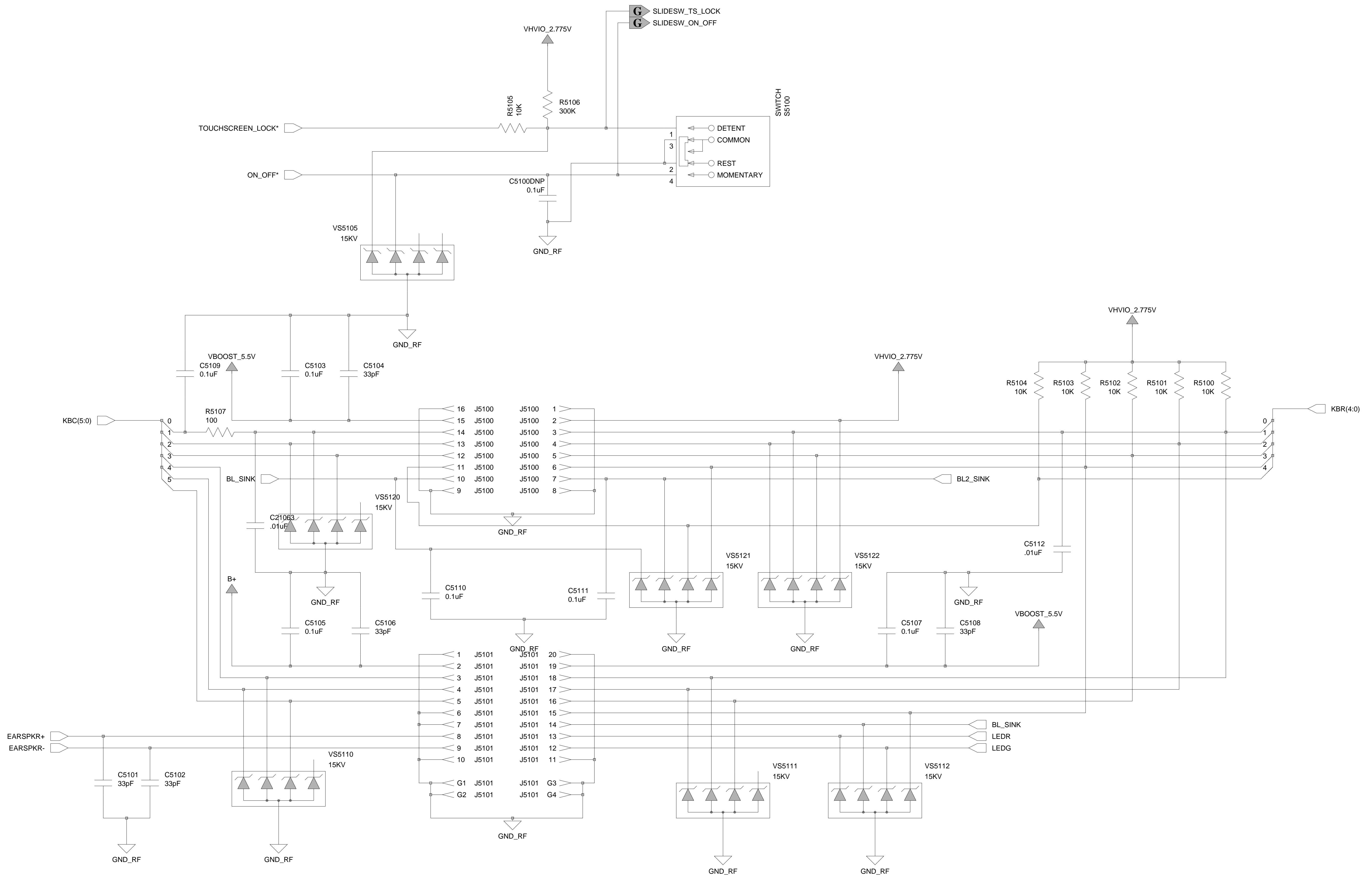
Warning !! Do NOT Modify without Suwinto G. or Andrei S. Consent

PORTABLE P3B 3/26/04



Engineer:	MOTOROLA INC.		
Drawn by:	TITLE: A1000 CAMERA /OV610		
R&D CHK:	REV:	Drawing Number:	Page: Of:
DOC CTRL CHK:	Date: 3/26/04		
MFG CTRL CHK:	Time:		
QA CHK:	Changed by: e11239		

A
B
C
D



KBC_7

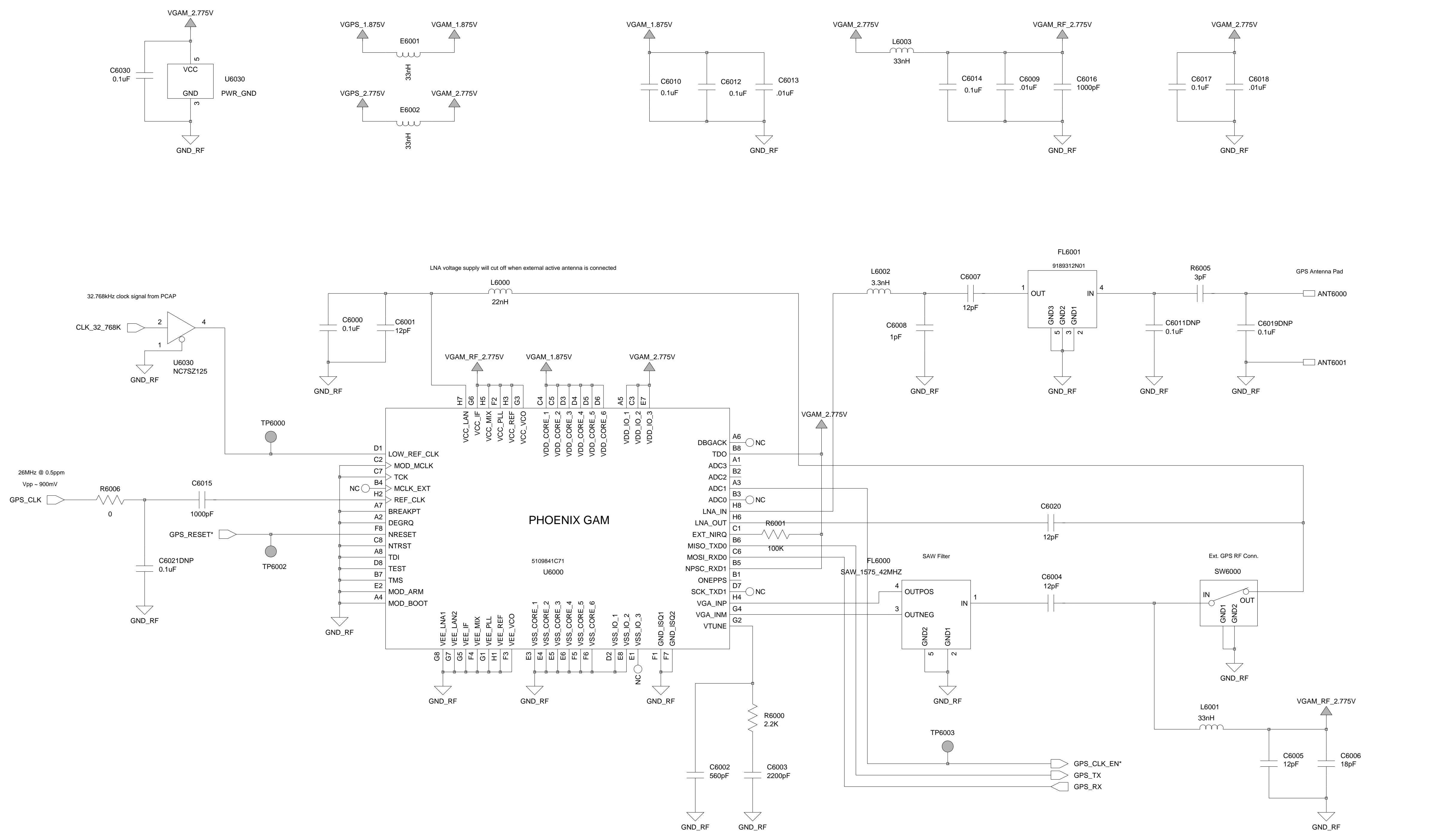
Engineer: Danny Ng	TITLE: GAM GPS BLOCK			Size: 11x17
Drawn by: Danny Ng	REV:			Page: 1
R&D CHK:	Drawing Number:			Of: 1
DOC CTRL CHK:	Date: Monday, December 1, 2003			Time: 4:39:29 pm
MFG CTRL CHK:	Changed by: W15660			
QA CHK:				

A

B

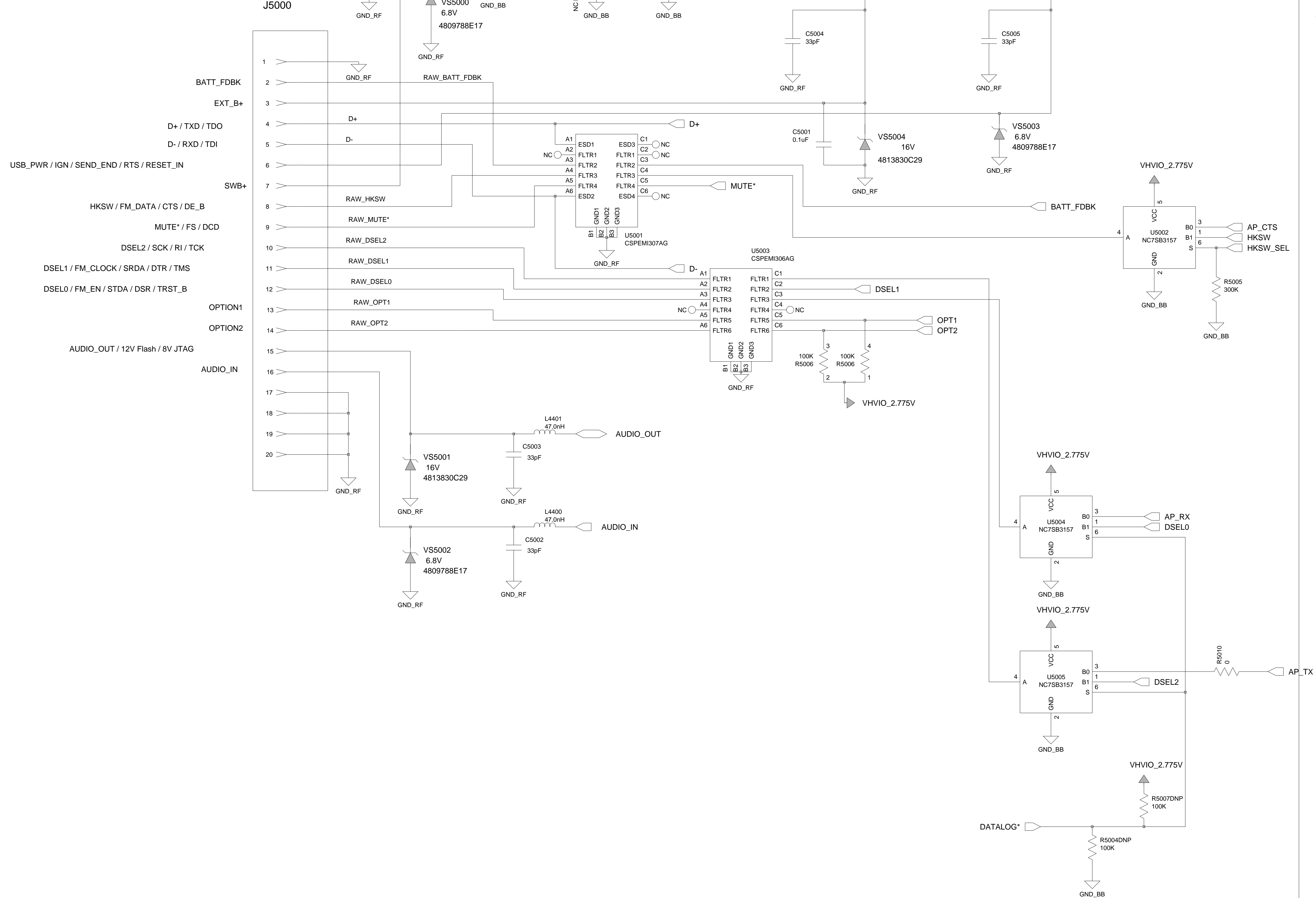
C

D



MOTOROLA CONFIDENTIAL PROPRIETARY

Accessory Connector CE Connector (0987636K06)



Engineer: John Kerr				
Drawn by:				
R&D CHK:	TITLE: PARAGON	Size:		
DOC CTRL CHK:	CE Accessory Connector			
MFG CTRL CHK:	REV:	Drawing Number:	Page:	Of:
QA CHK:	Date: 11/01/01		Time:	

11/01/01

Changed bypass ground on Audio IN/OUT from BB to GND_RF.

