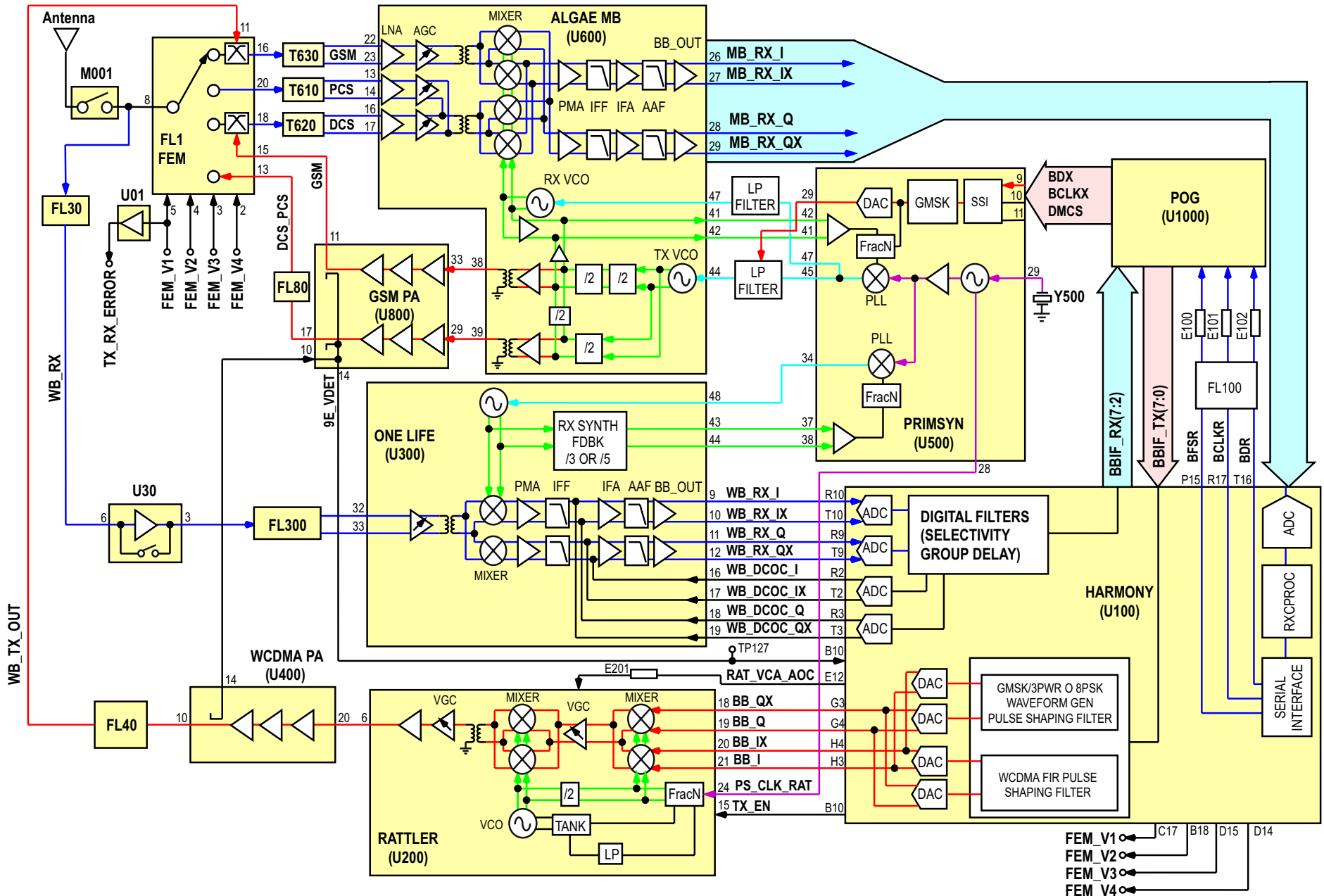


A1000: RF Block Diagram (Rev 1.3)

PCB: 8488485N02 Iss A



Motorola Confidential Proprietary